



D&M Holdings Inc.  
100 Corporate Drive Mahwah, NJ 07430



## Service Bulletin

No. : MZ10-013

Date: June 1, 2010

**Model:** SR6004

**Subject:** Correction of the Firmware and modification of HDMI circuit.  
Countermeasure is applicable only upon claim from the customer.

**Symptom:** White noise might appear on the TV or the TV might only display a black color when you output an HDMI-1080p signal to the specified TV.  
The models of the TV's (Japanese models) on which this symptom might occur.

**SONY:** 2008 production: F1 series, J1 series, M1 series, V1 series  
2009 production: J5 series

**TOSHIBA:** 47Z9000, 55ZX9000

**Solution:** Modification of HDMI circuit.

### MODIFICATION:

Change the R599 is on the HDMI PWB from 4.7kohm to 3.6kohm.

### Part Number and Name:

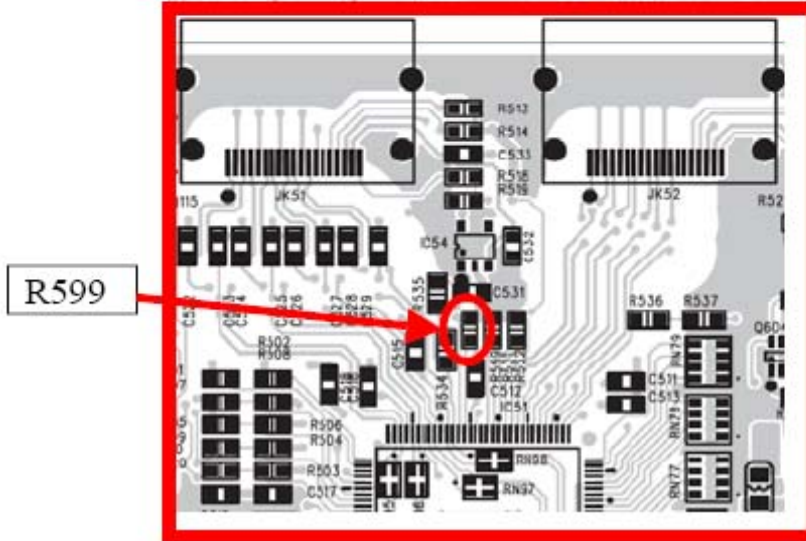
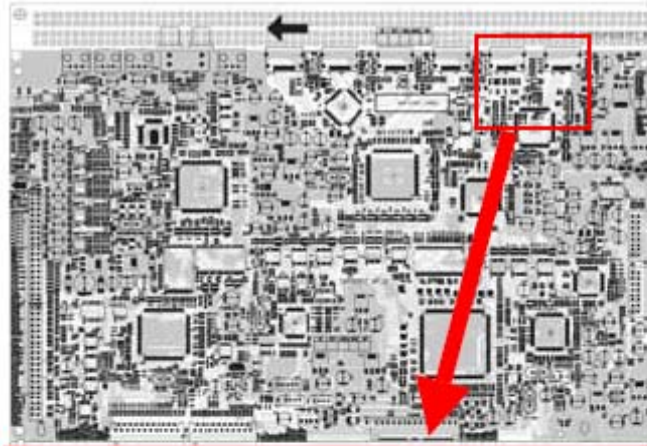
Ref No.	Parts Number	Parts Name	Qty	Remarks
R599	nsp	RM73B--362JT	1	Chip Resistor Size 1608 (1.6mm x 0.8mm), 3.6kohm +5/-5%, 1/16W Metal glaze thick film

\*nsp: no spare parts (We will not supply this resistor so please procure this part yourself.)

### CONFIDENTIALITY NOTICE:

The information contained in this document is intended for the exclusive use by MARANTZ Authorized Service Centers and their employees. This document may contain information that is privileged, confidential and may be protected from disclosure under applicable laws and terms of the MARANTZ Service Agreement. Any distribution, disclosure, dissemination or copying of this document and the information it contains is prohibited. No responsibility will be accepted by MARANTZ for any damage, injury or loss resulting from the misuse of the information contained in this document.

HDMI PWB  
pattern side



Updating the firmware:

Please refer to page 45~76 "Update Firmware" in Service Manual.

Firmware and version:

HDMI CPU FIRMWARE: SR6004\_00M27DW499B02.zip (Ver. i07)

**Serial Number Range:**

Please apply the above modification to the production models in the following serial numbers.

All models

---

**CONFIDENTIALITY NOTICE:**

The information contained in this document is intended for the exclusive use by MARANTZ Authorized Service Centers and their employees. This document may contain information that is privileged, confidential and may be protected from disclosure under applicable laws and terms of the MARANTZ Service Agreement. Any distribution, disclosure, dissemination or copying of this document and the information it contains is prohibited. No responsibility will be accepted by MARANTZ for any damage, injury or loss resulting from the misuse of the information contained in this document.