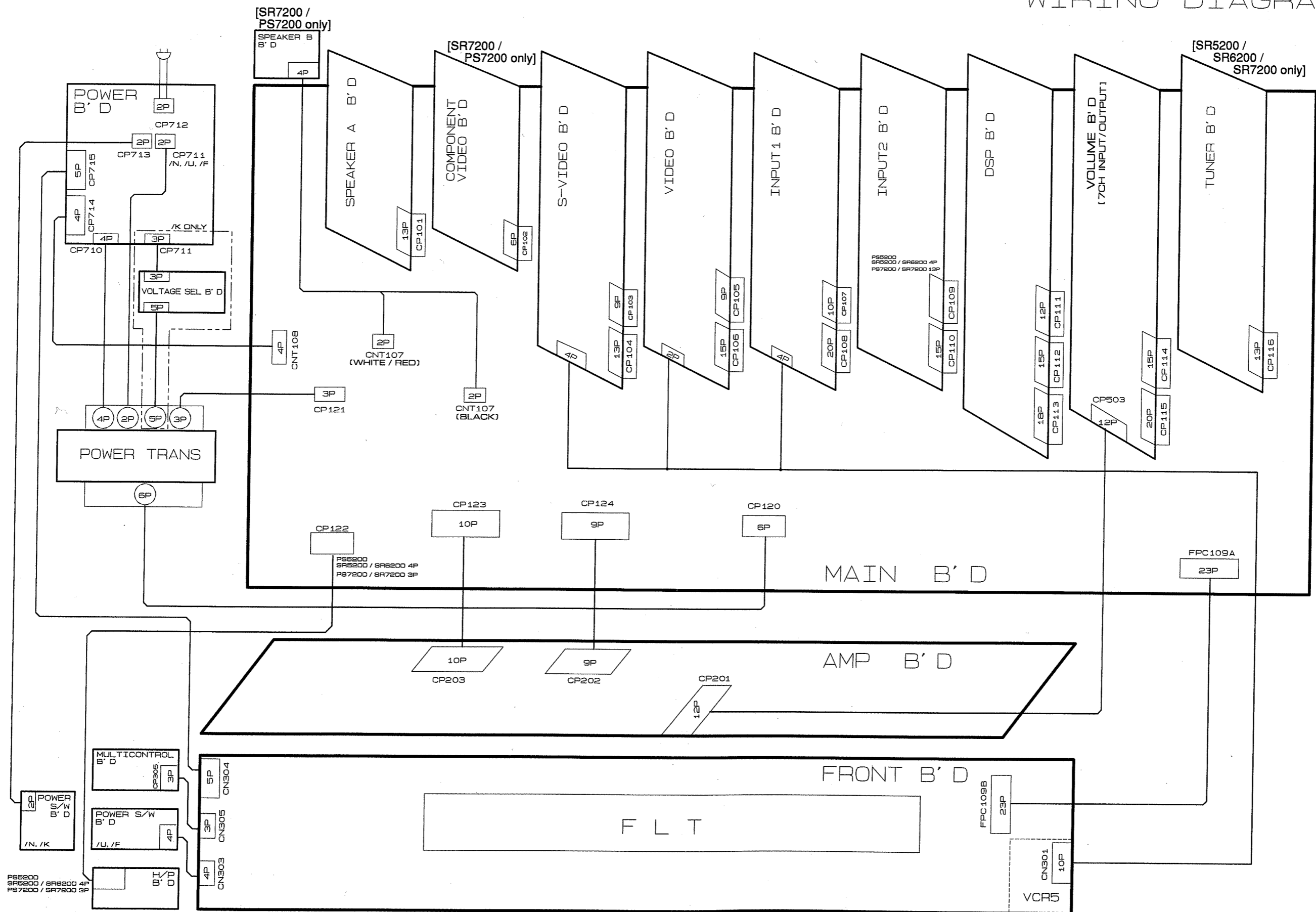
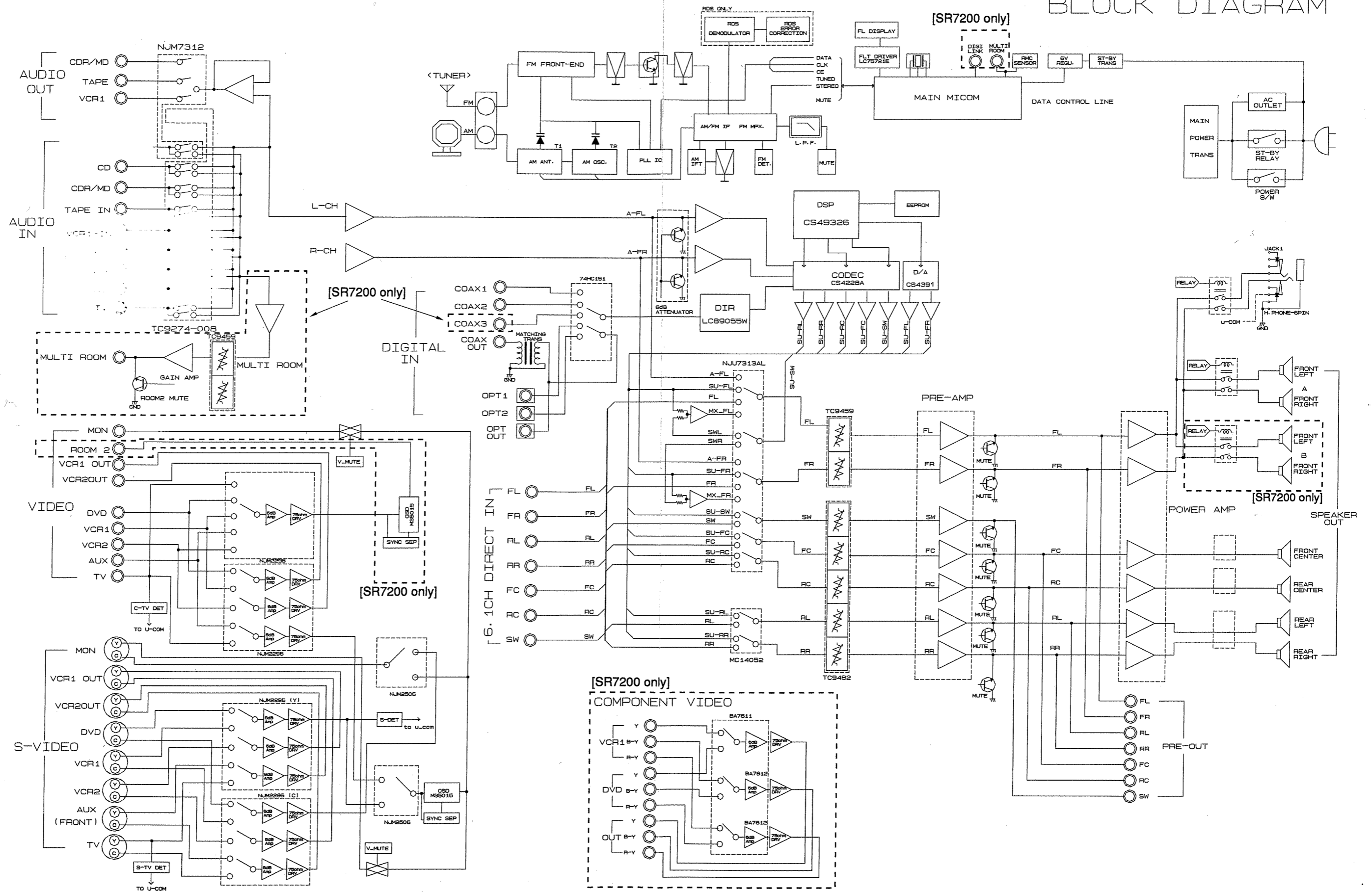


2. WIRING DIAGRAM

WIRING DIAGRAM

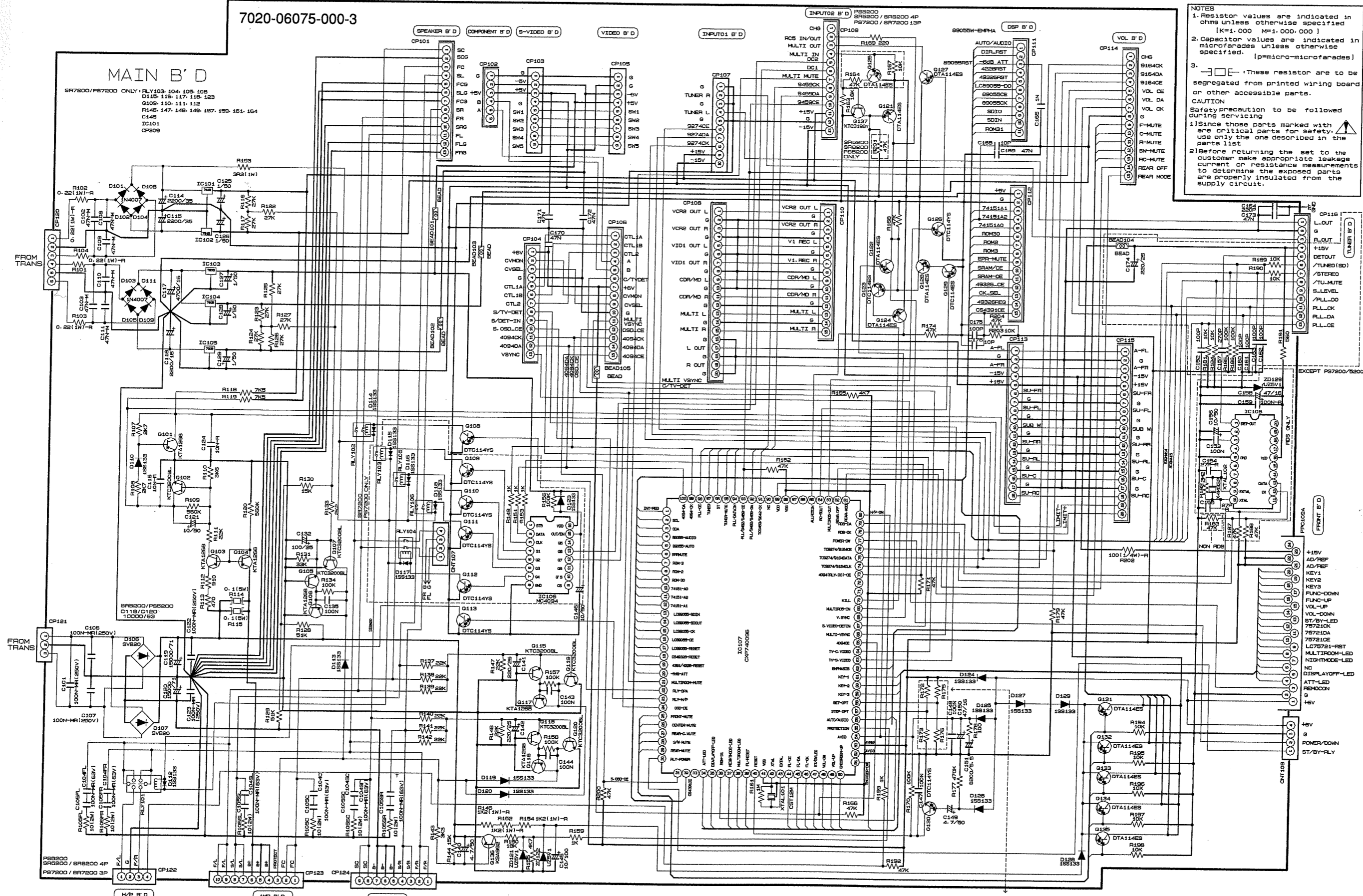


3. BLOCK DIAGRAM



4. SCHEMATIC DIAGRAM

7020-06075-000-3



**NOTES**

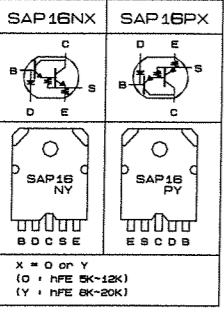
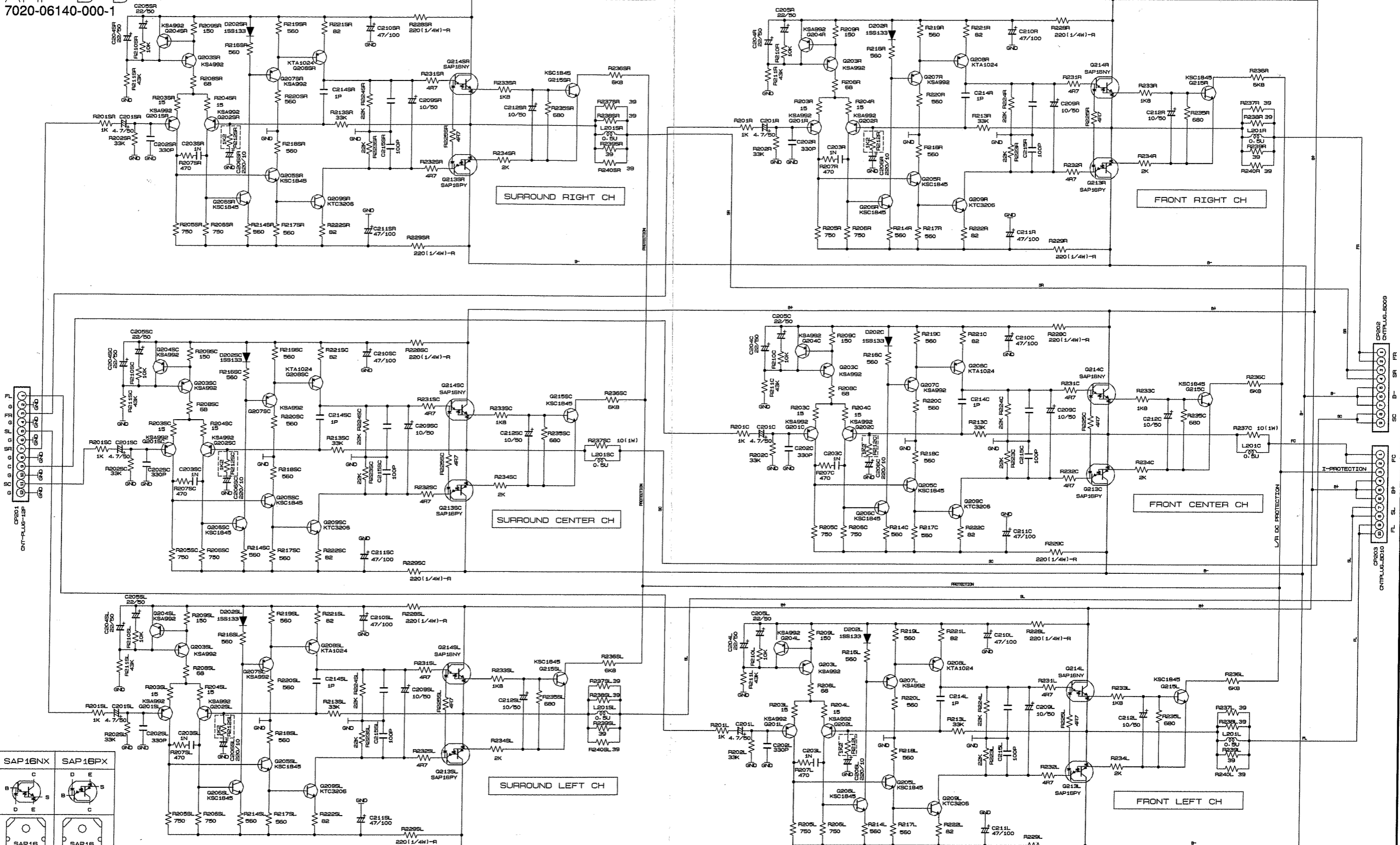
1. Resistor values are indicated in ohms unless otherwise specified. [K=1,000 M=1,000,000]
2. Capacitor values are indicated in microfarads unless otherwise specified. [p=micro-microfarads]
3. This resistor is to be segregated from printed wiring board or other accessible parts.

**CAUTION**  
Safety precaution to be followed during servicing:

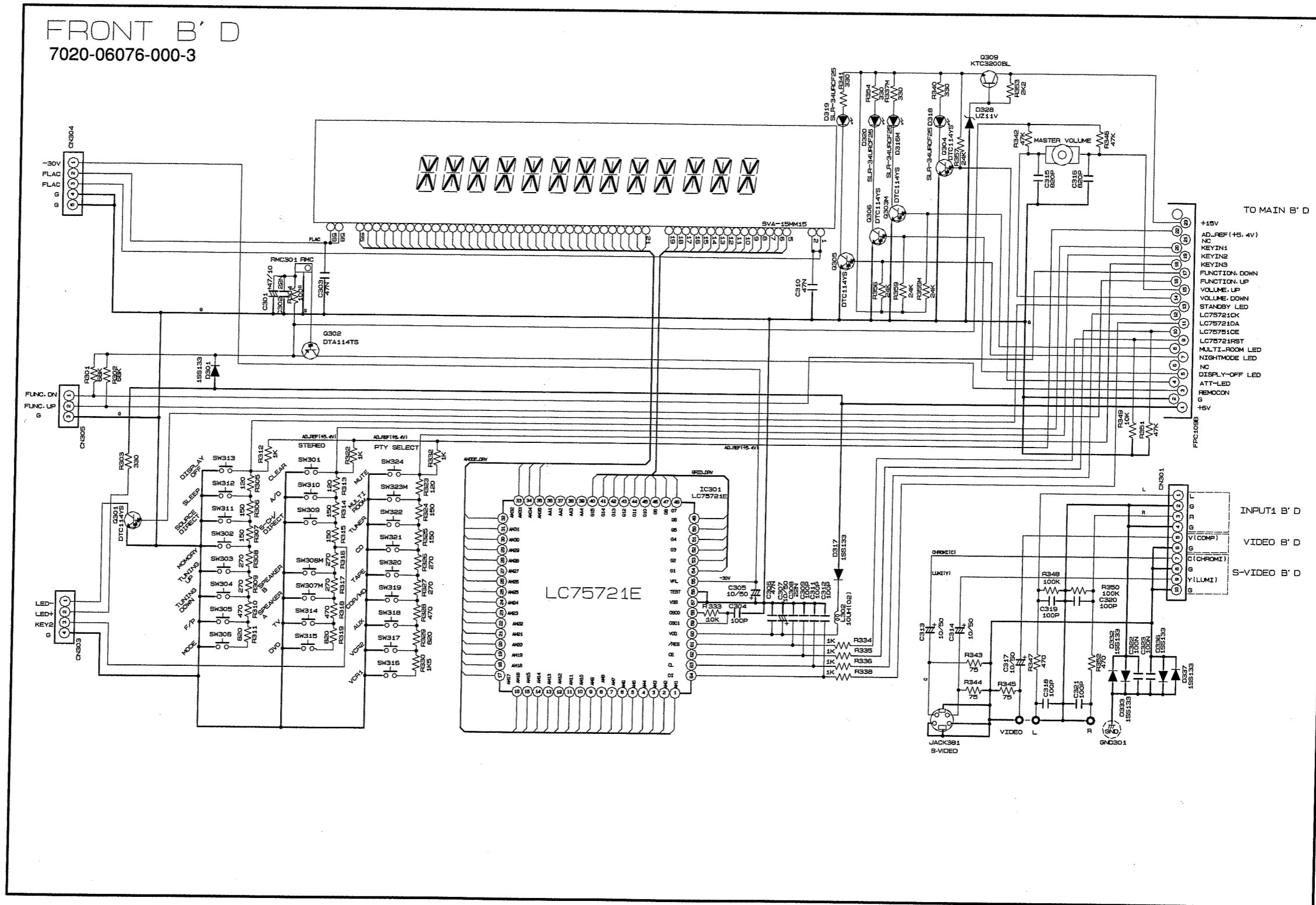
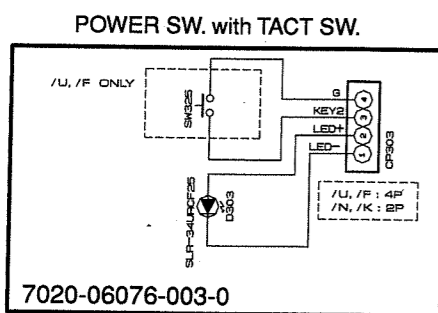
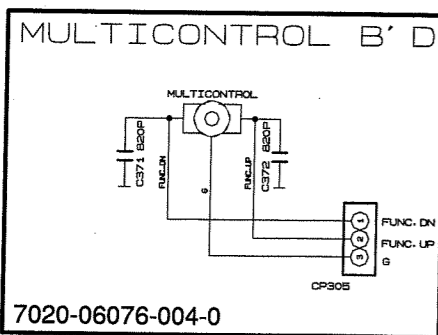
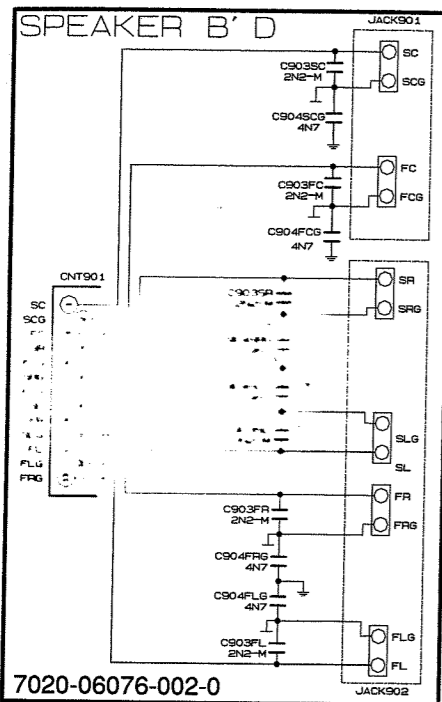
- 1) Since those parts marked with are critical parts for safety, use only the one described in the parts list.
- 2) Before returning the set to the customer make appropriate leakage current or resistance measurements to determine the exposed parts are properly insulated from the supply circuit.

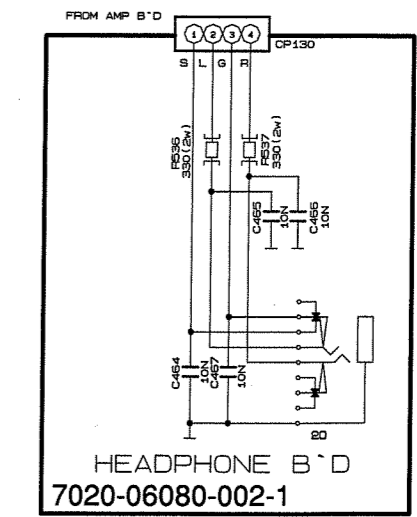
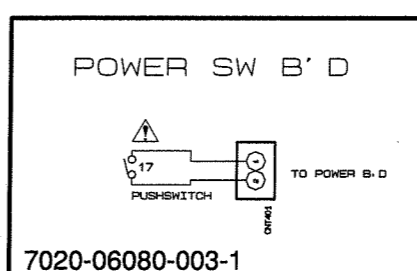
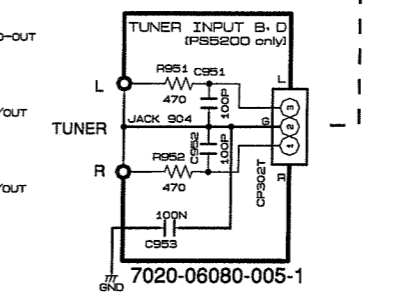
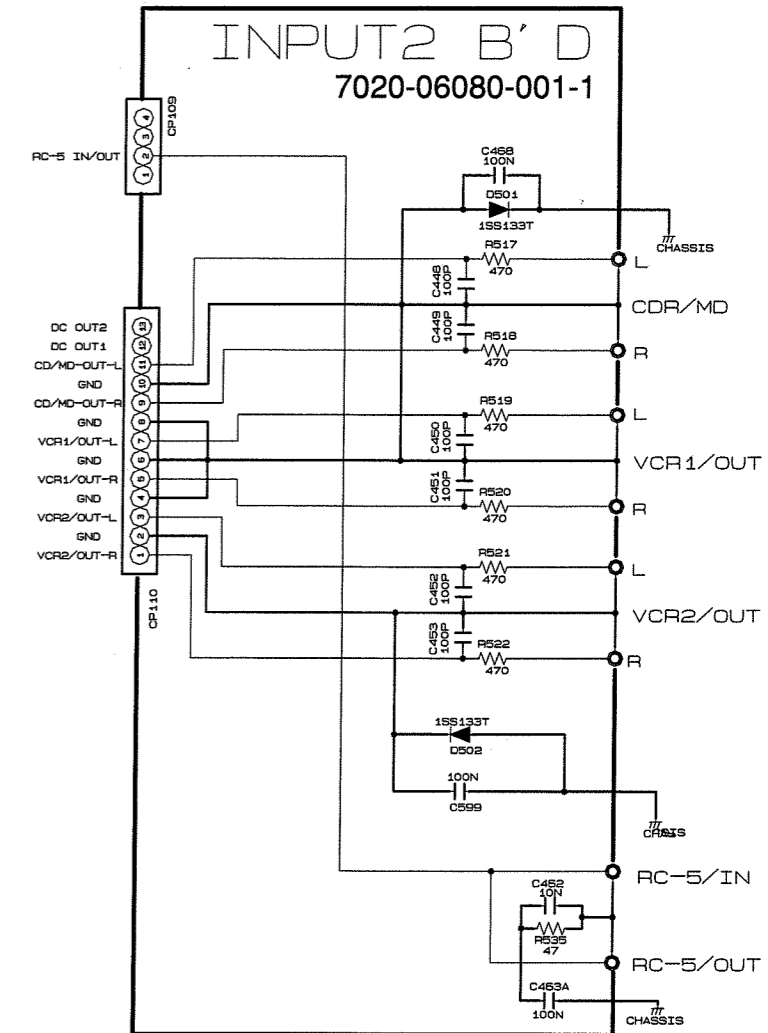
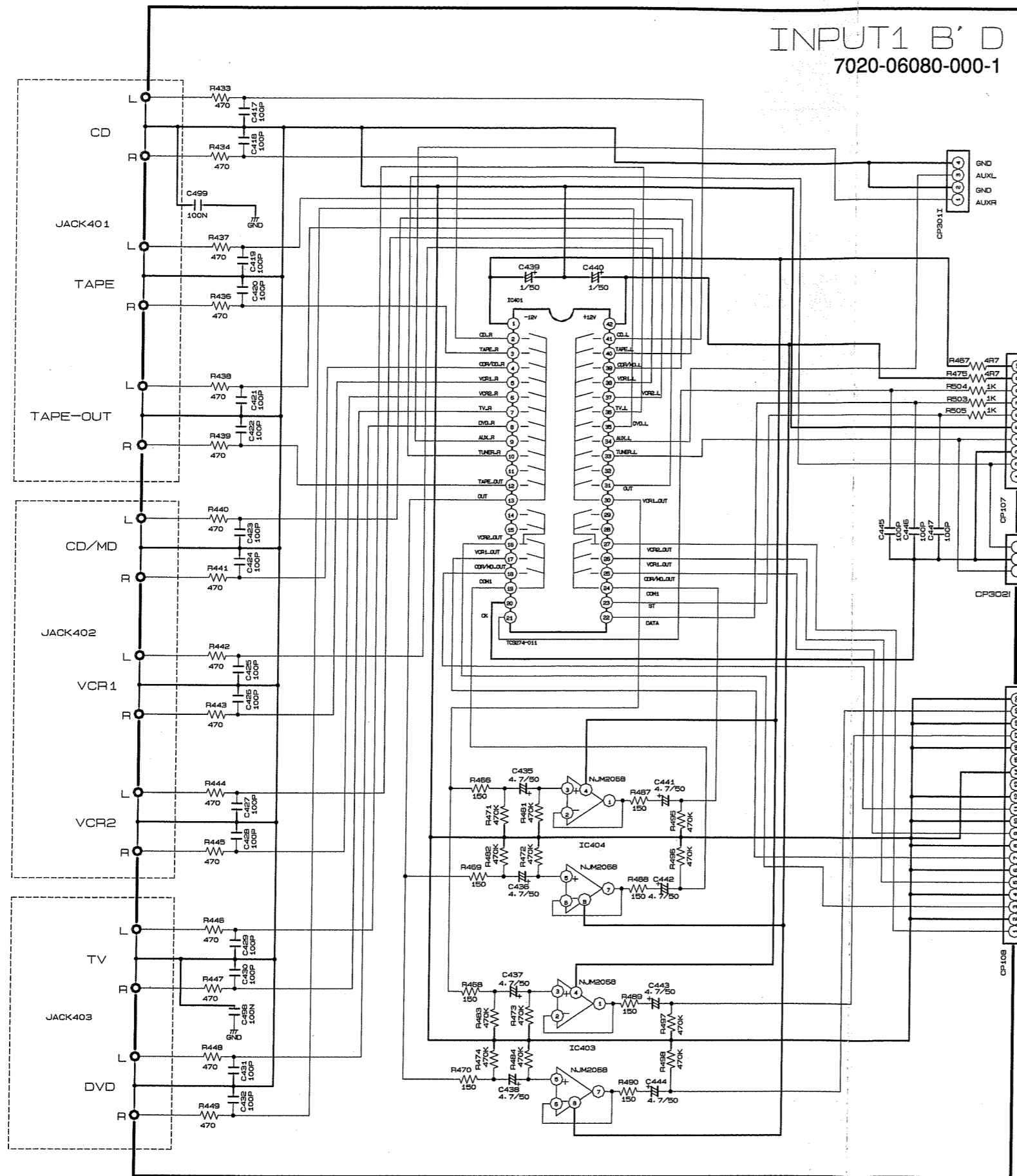
STEP	OPT	R172	R173	SET OPT	R715	R716
U	(100/10)	OV	OPEN 47K	SR7200	OV	OPEN 47K
N	(100/M50)	9/10K	1.7V 10K 4.7K	SR6200	1.7V	10K 4.7K
K	(100/M50)	1K	3.3V 10K 15K	SR5200	3.3V	10K 15K
F	(100/9)	5.0V	10K 150K			

AMP B'D  
7020-06140-000-1



	R212FL	R212FR	R212C	R212SL	R212SC	R212SR
SR7200/SR6200	1.2K	1.2K	1.2K	1.2K	1.2K	1.2K
SR6200	1.3K	1.3K	1.3K	1.3K	1.3K	1.3K

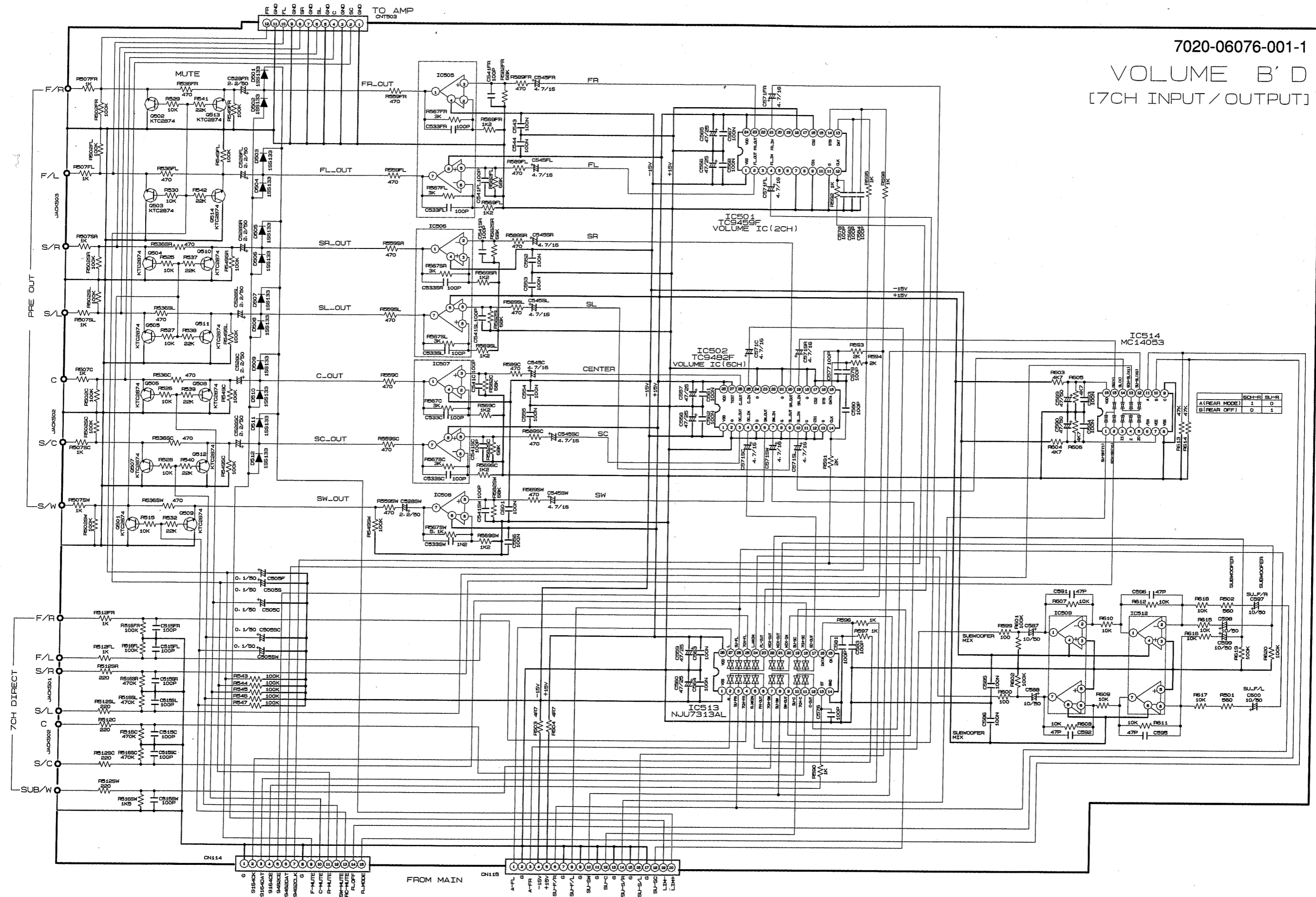




[ / N, / K ONLY ]

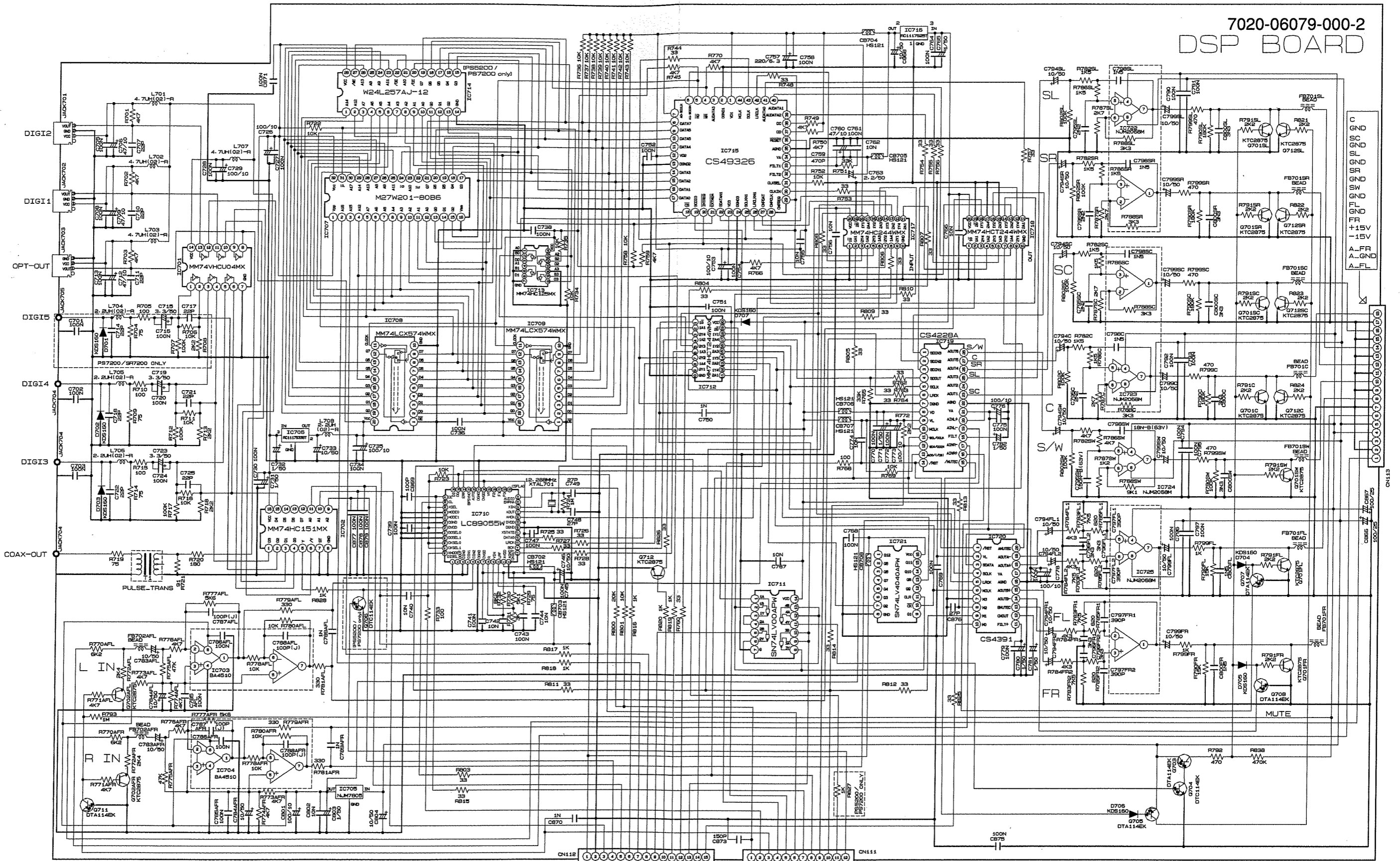
7020-06076-001-1

# VOLUME B'D [7CH INPUT / OUTPUT]



	IC5-R	SU-R
A (REAR MODE)	1	0
B (REAR OFF)	0	1

7020-06079-000-2  
DSP BOARD



C GND  
SC GND  
SL GND  
SR GND  
SW GND  
FL GND  
FR +15V  
A-FR -15V  
A-FR A\_GND

CN113

CN112

DSP -HV  
DSP -GND  
74HC151-A1  
74HC151-AG  
74HC151-A0  
PWR5  
PWR6  
PWR7  
PWR8  
PWR9  
ERR -NOTE  
ABOUT  
SFAM/EFROM-CE  
CS43326-CE  
CN1-BEL  
CS43326-INTREG  
CS4331-CE

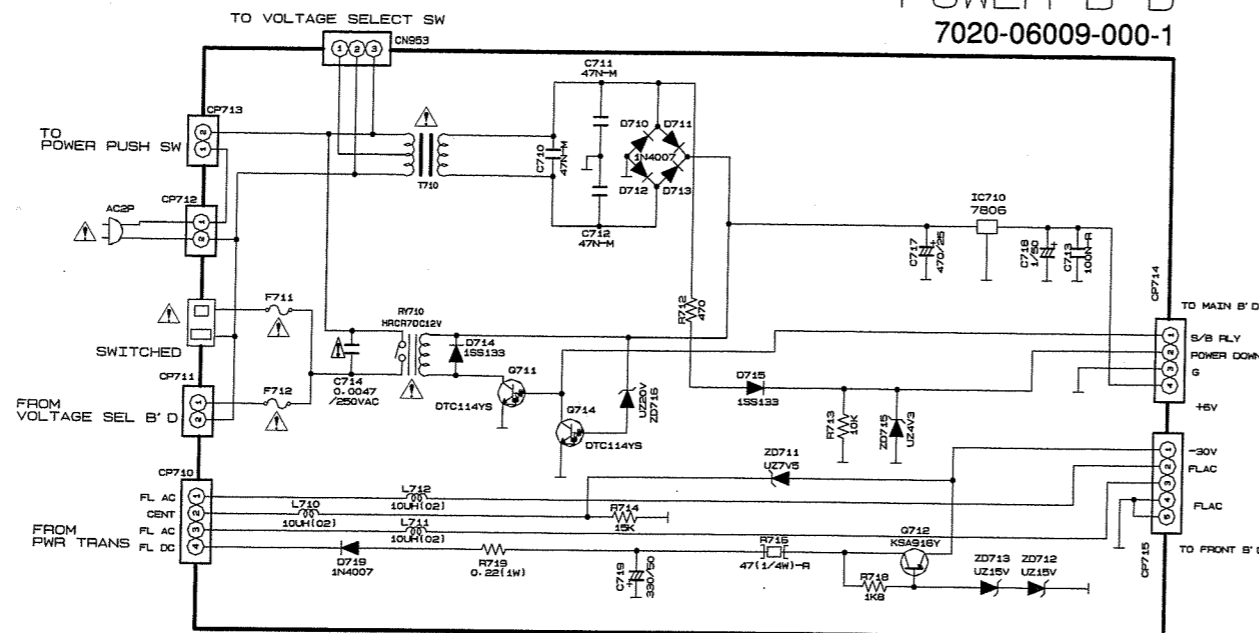
AUTOV -AUTO  
LC89055 -RST  
ATTNATOR(-6dB)  
CS43326-RST  
CS43326-L\_RST  
LC89055-D0  
LC89055-CE  
CS43326 -SODOUT  
CS43326 -SODIN

PNR01  
SN00E



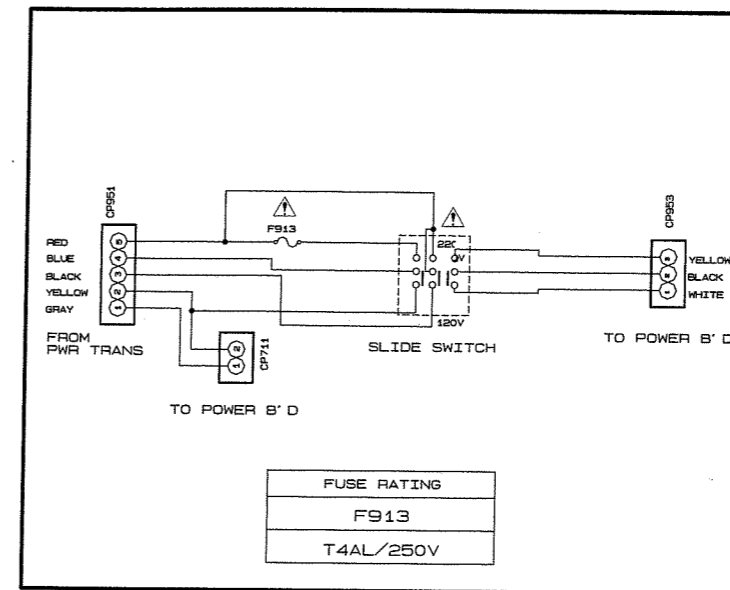
[/K ONLY]

POWER B'D  
7020-06009-000-1



FUSE RATING	
F711	F712
T2. 5AL/250V	T6. 3AL/250V

VOLTAGE SEL B'D  
7020-06106-001-0

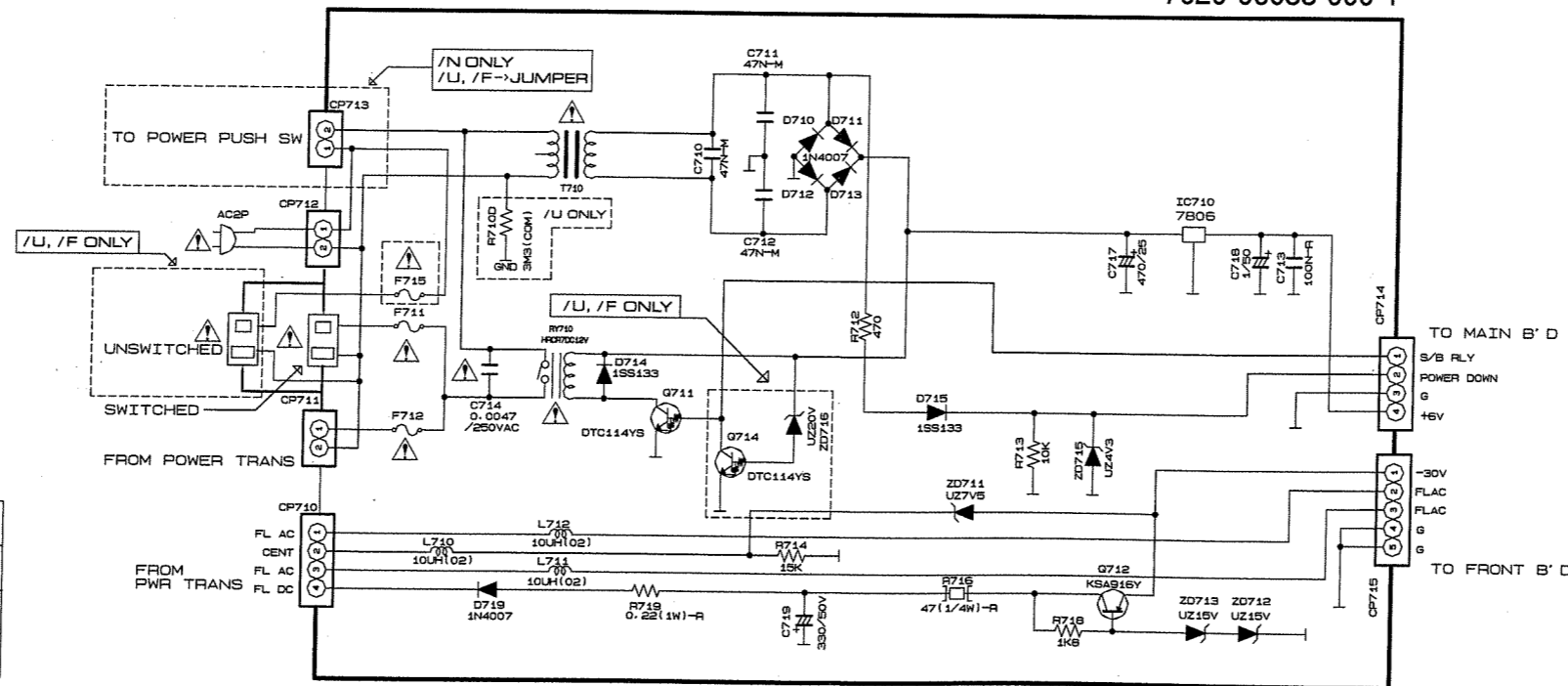


FUSE RATING	
F913	
T4AL/250V	

NOTES  
1. Resistor values are indicated in ohms unless otherwise specified [K=1,000 M=1,000,000]  
2. Capacitor values are indicated in microfarads unless otherwise specified. [p=micro-microfarads]  
3. These resistor are to be segregated from printed wiring board or other accessible parts.  
CAUTION  
Safety precaution to be followed during servicing  
1) Since those parts marked with are critical parts for safety, use only the one described in the parts list  
2) Before returning the set to the customer make appropriate leakage current or resistance measurements to determine the exposed parts are properly insulated from the supply circuit.

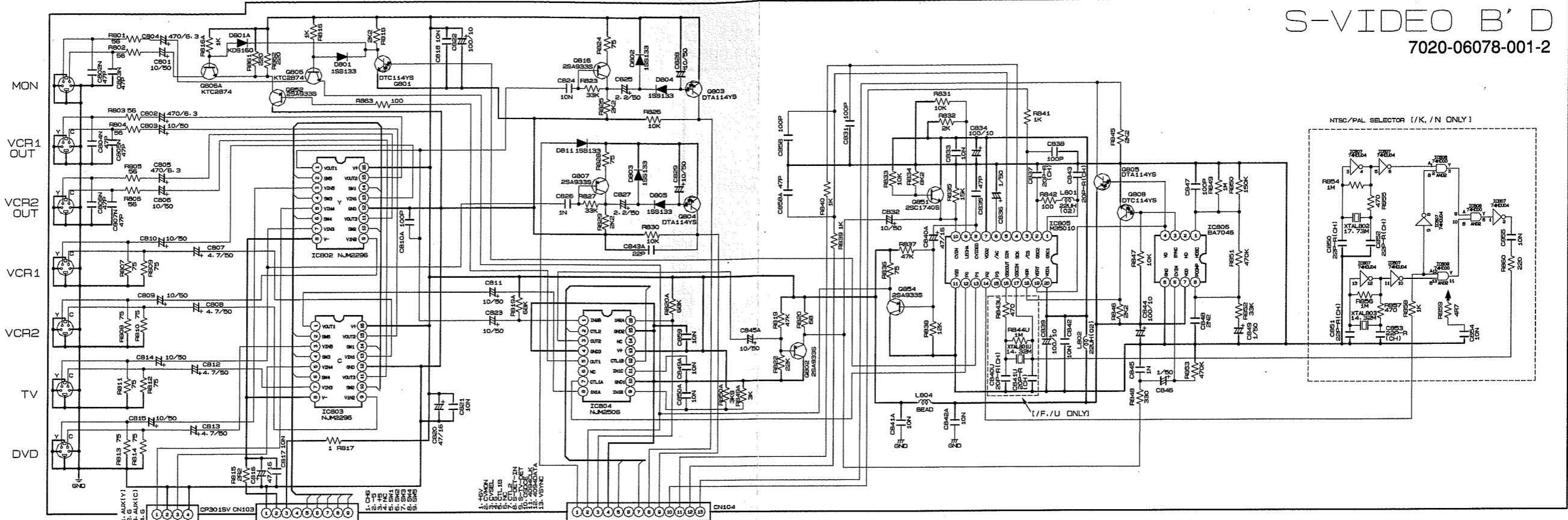
[/N, /U, /F ONLY]

POWER B'D  
7020-06088-000-1

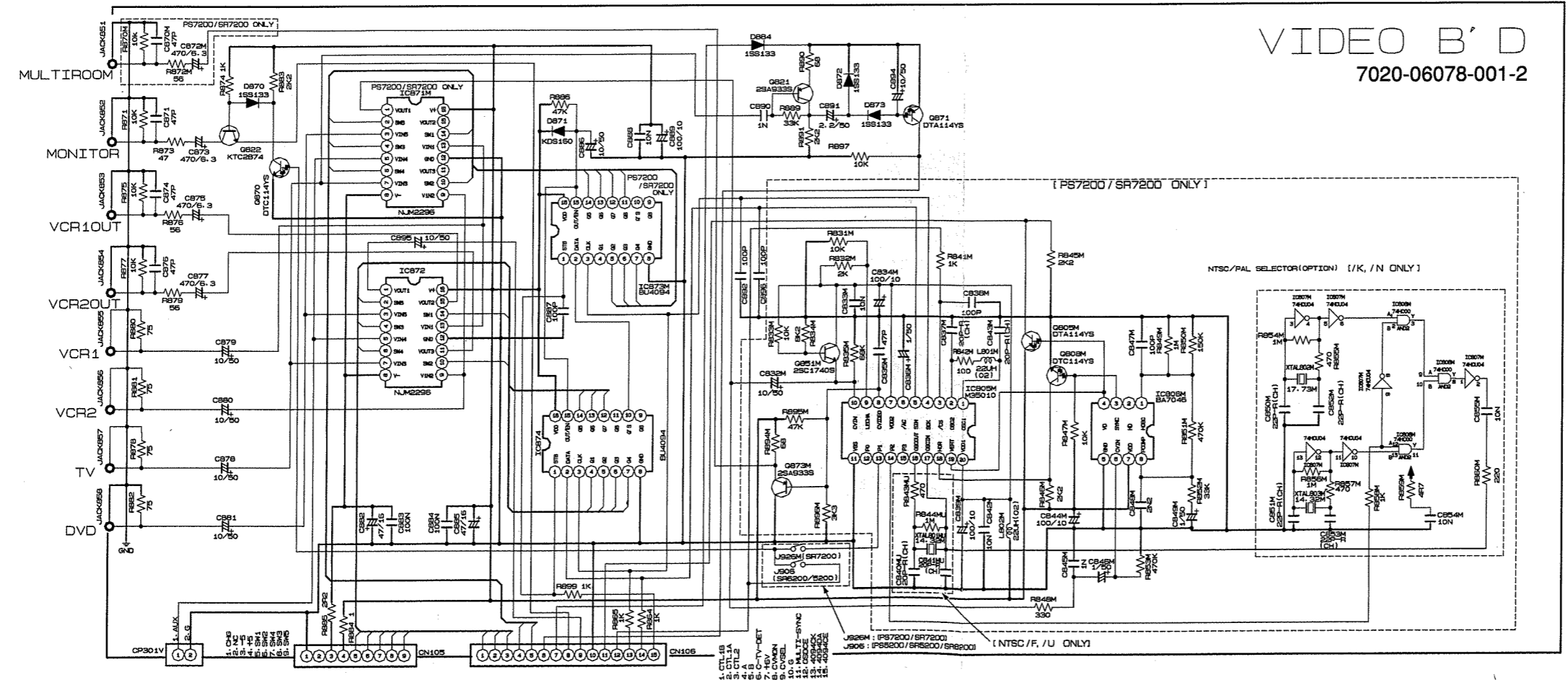


	EUROPE (/N)	U. S. A. (/U) JAPAN (/F)
F711	T2. 5AL/250V	S2. 5A/250V
F712	T6. 3AL/250V	S8A/250V
F715		S2. 5A/250V

NOTES  
1. Resistor values are indicated in ohms unless otherwise specified [K=1,000 M=1,000,000]  
2. Capacitor values are indicated in microfarads unless otherwise specified. [p=micro-microfarads]  
3. These resistor are to be segregated from printed wiring board or other accessible parts.  
CAUTION  
Safety precaution to be followed during servicing  
1) Since those parts marked with are critical parts for safety, use only the one described in the parts list  
2) Before returning the set to the customer make appropriate leakage current or resistance measurements to determine the exposed parts are properly insulated from the supply circuit.



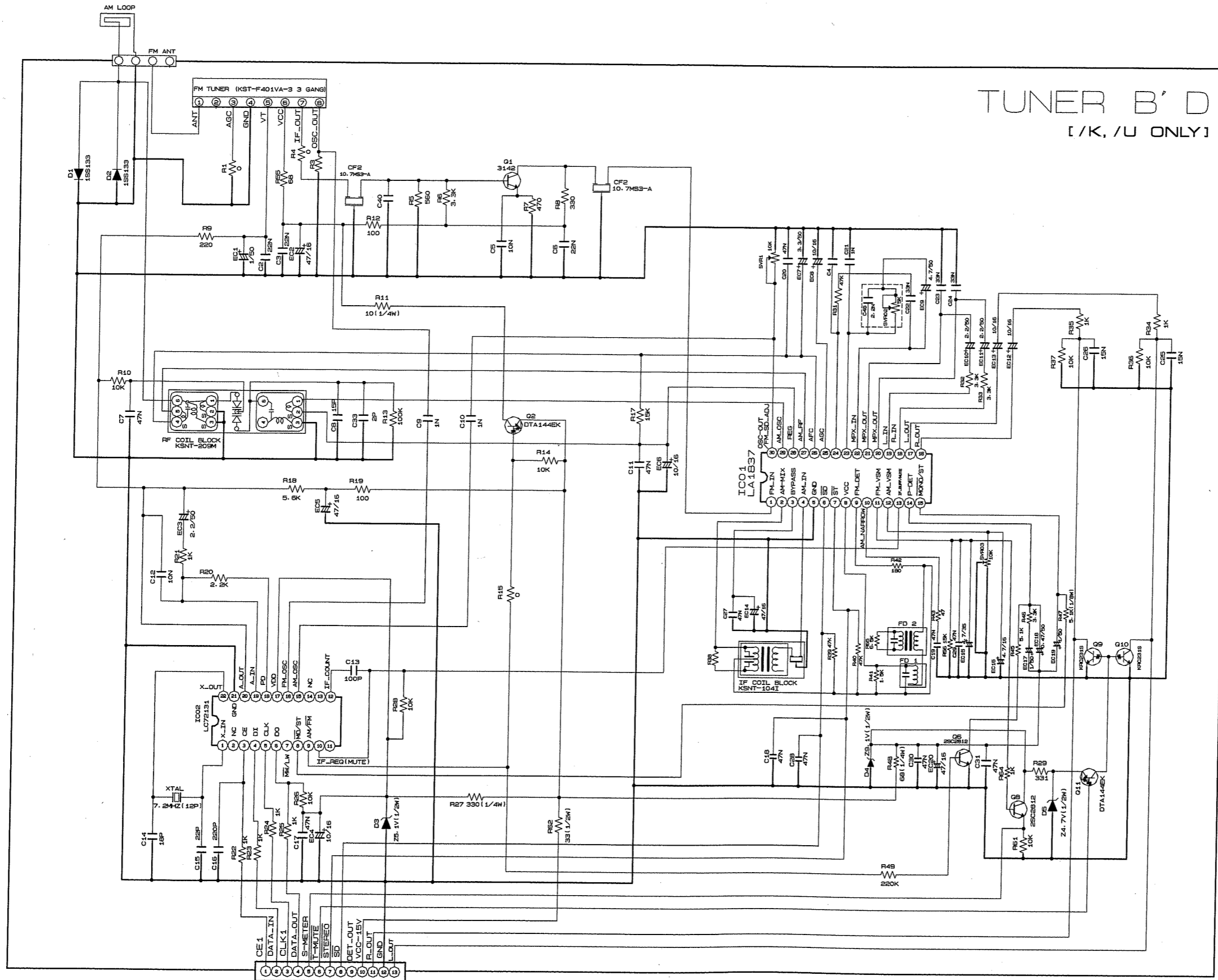
S-VIDEO B'D  
7020-06078-001-2



VIDEO B'D  
7020-06078-001-2

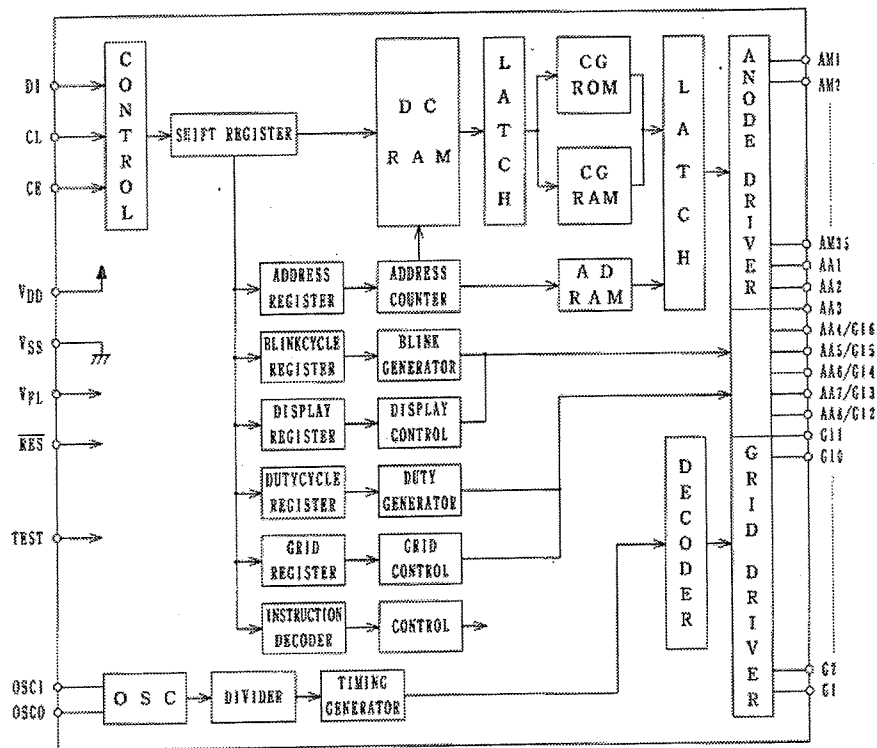
NOTES  
 1. Resistor values are indicated in ohms unless otherwise specified (K=1,000 M=1,000,000)  
 2. Capacitor values are indicated in microfarads unless otherwise specified. (p=micro-microfarads)  
 3. These resistor are to be segregated from printed wiring board or other accessible parts.  
 CAUTION  
 Safety precaution to be followed during servicing  
 1) Since those parts marked with are critical parts for safety, use only the one described in the parts list  
 2) Before returning the set to the customer make appropriate leakage current or resistance measurements to determine the exposed parts are properly insulated from the supply circuit.

To repair the Tuner circuit board, replace the whole Tuner B'D Assy.  
(Refer to the Parts list)

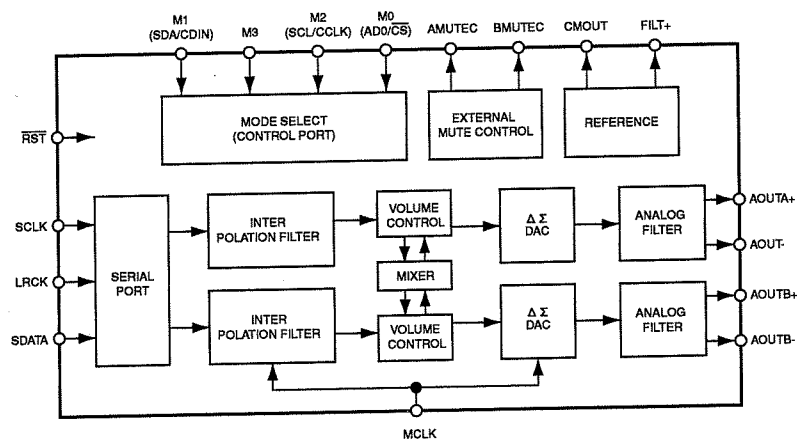


6. IC DATA

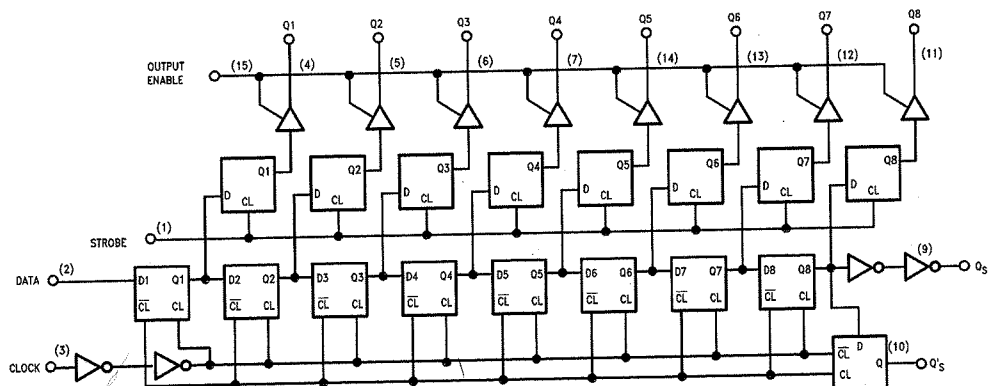
IC301 LC75721E



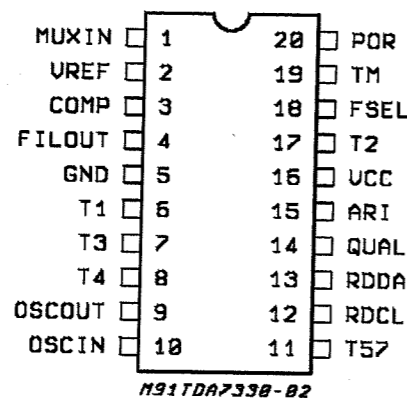
IC720 CS4391



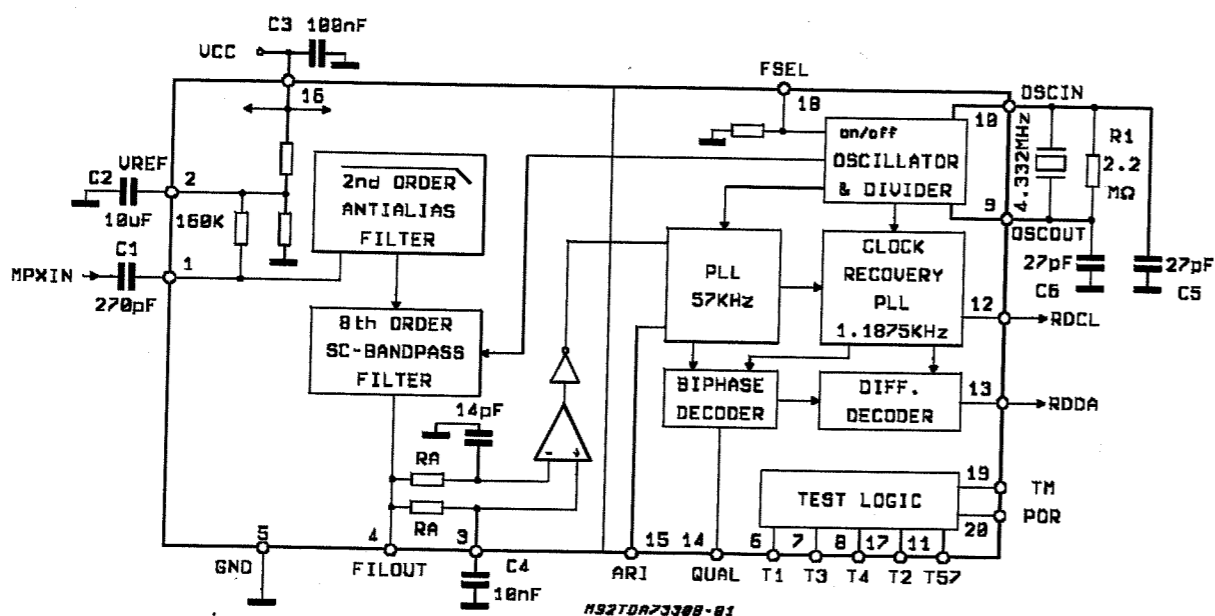
IC106 CD4094BC



IC108 TDA7330



HS1TDA7330-B2

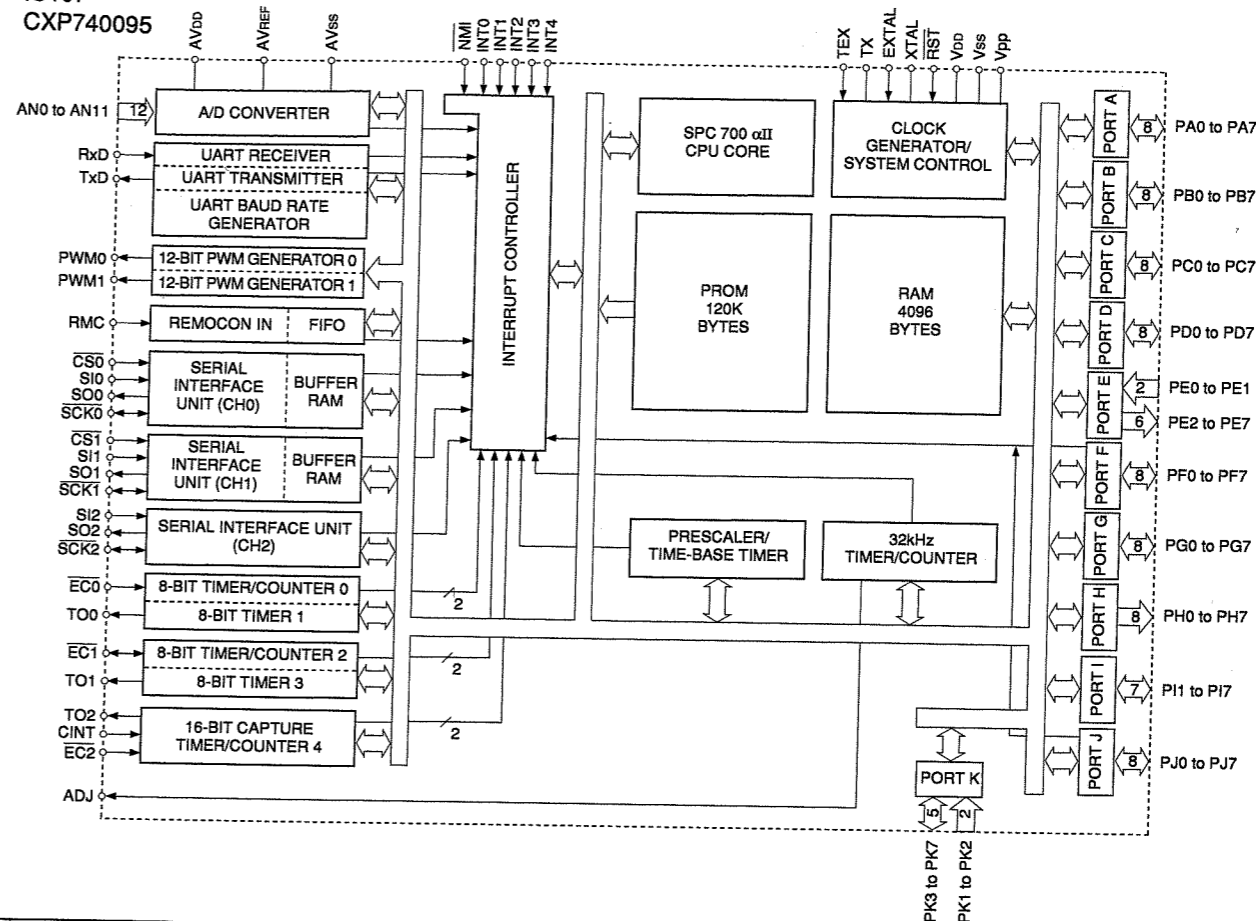


HS2TDA7330-B1

PIN FUNCTION

Nr.	Name	Description
1	MUXIN	RDS input signal.
2	U <sub>ref</sub>	Reference voltage
3	COMP	Not inverting comparator input (smoothing filter)
4	FIL OUT	Filter Output
5	GND	Ground
6	T1	Testing output pin (not to be used)
7	T3	Testing output pin (not to be used)
8	T4	Testing output pin (not to be used)
9	OSC OUT	Oscillator output
10	OSC IN	Oscillator Input
11	T57	Testing output pin: 57KHz clock output
12	RDCL	RDS clock output (1187.5Hz)
13	RDDA	RDS data output
14	QUAL	Output for signal quality indication (High = good)
15	ARI	Output for ARI indication (High when RDS + ARI signals are present) (High when only ARI is present) (Low when only RDS is present) (undefined when no signal is present)
16	V <sub>cc</sub>	Supply Voltage
17	T2	Testing output pin (not to be used)
18	FSEL	Frequency selector pin: open = 4.332MHz, closed to V <sub>cc</sub> = 8.664MHz
19	TM	Test mode pin (open = normal RUN) (closed to V <sub>cc</sub> = Test mode)
20	POR	Reset Input for testing (active high)

IC107 CXP740095



PIN NO	PIN NAME	DESCRIPTION	I/O	ASSIGN	ACTIVE LEVEL	PULL-UP DOWN
1	DSP INT Request	DSP Interrupt Request	I/O	I		
2	Clock Select		I/O	O		
3	DSP CS	DSP Chip Select	I/O	O		
4	RAM CE	RAM Chip Enable	I/O	O		
5	DSP Autoboot		I/O	O		
6	ERR Mute	Error Mute	I/O	O		
7	EPROM Addr. 15	EPROM Address (Pin 3)	I/O	O		
8	EPROM Addr. 16	EPROM Address (Pin 2)	I/O	O		
9	EPROM Addr. 17	EPROM Address (Pin 30)	I/O	O	Low	
10	74151 Select 0	MM74HC151 Select 0 (A0)	I/O	O		
11	74151 Select 2	MM74HC151 Select 0 (A2)	I/O	O		
12	74151 Select 1	MM74HC151 Select 0 (A1)	I/O	O		
13	SDA	DIR/DSP/4228/4391 Serial Data	I/O	I/O		
14	DSP DIN	DSP DATA INPUT ( DSP → MCU)	I/O	I		
15	SCL	DIR/DSP/4228/4391 Serial Clock	I/O	O		
16	DIR CE	DIR Chip Enable	I/O	O		
17	DIR DIN	DIR Data input ( DIR → MCU)	I/O	I		
18	DSP Reset	CS49326 Reset	I/O	O		
19	DAC Reset	4228/4391 Reset	I/O	O		
20	6dB ATT	6dB Attenuation	I/O	O		
21	Multiroom Mute		I/O	O		
22	F_SPK_RLY	Front Speaker Relay	I/O	O		
23	H/P_RLY	HeadPhone Relay	I/O	O		
24	Mul_OSD CE	Multiroom OSD Chip Enable(SR6200; C-VIDEO Mute)	I/O	O		
25	Front Mute		I/O	O		
26	Center Mute		I/O	O		
27	R Center Mute	Rear Center Mute	I/O	O		
28	Subwoofer Mute		I/O	O		
29	Rear Mute		I/O	O		
30	Power Relay		I/O	O		
31	Main OSD CE	Main OSD Chip Enable	O	O		PU
32	DAC CS	DAC(CS4391) Chip Select	O	O		PU
33			O	O		PU
34	ATT LED	Attenuation LED	O	O	Low	PU
35	Display Off LED		O	O	Low	PU
36	EPROM Addr. 17	EPROM Address (Pin 31)- PS7200/PS5200 ONLY	O	O		PU
37	Night Mode LED		O	O	Low	PU
38	Multi-Room LED		O	O	Low	PU
39	FL Reset		I/O	O		
40	MCU Reset		I	Low		
41	GND	V <sub>ss</sub>				
42	XTAL	12MHz				
43	EXTAL		I	I		
44	FL Drv. CE	FL Driver(LC75721E) Chip Enable	I/O	O	Low	
45	FL Drv. Data	FL Driver(LC75721E) Data	I/O	O		
46	FL Drv. CLK	FL Driver(LC75721E) Clock	I/O	O		
47	Standby LED		I/O	O	L/H	
48	Vol.Encoder Down	Volume Encoder Down	I/O	I		
49	Vol.Encoder Up	Volume Encoder Up	I/O	I		
50	Multi Encoder Up	Multi-Room Volume Encoder Up	I/O	I		
51	Multi Encoder Down	Multi-Room Volume Encoder Down	I/O	I		

PIN NO	PIN NAME	DESCRIPTION	I/O	ASSIGN	ACTIVE LEVEL	PULL-UP DOWN
52	GND	Av <sub>ss</sub>				
53	V <sub>DD</sub>	AV <sub>REF</sub>				
54	V <sub>DD</sub>	AV <sub>DD</sub>				
55		Protection	I/O	I		
56		DIR Reset	I/O	O		
57		Step Option	I/O	I		
58		Set Option	I/O	I		
59		Key3	I	I		
60		Key2	I	I		
61		Key1	I	I		
62		Auto/Audio from DIR	I	I		
63		Auto TV(C)	I/O	I		
64		Auto TV(S)	I/O	I		
65		4094 CE	4094 Chip Enable	I/O	O	
66		Multi-Room V-SYNC	I/O	I	Low	
67		S. Video Detector	I/O	I	Low	
68		V-SYNC	I/O	I	Low	
69		Multi RCS In	I/O	I	Low	
70		Kill RCS	I/O	O		
71		N.C	O	O		
72		N.C	O	O		
73		4094(RLY.DC) CE	4094 (RLY.DC) Chip Enable	O	O	
74		TC9274/9164 CLK	TC9274 / 9164 Clock	O	O	
75		TC9274/9164 Data		O	O	
76		TC9274/9164 CE	TC9274 / 9164 Chip Enable	O	O	
77		Power Down Check	I	I		
78		RDS Clock	I	I		
79		RDS Data	I/O	O		
80		Headphone Check	I/O	I		
81		Rear Mode	I/O	O	Low	
82		Rear Off	I/O	O	Low	
83		Multi-Room RCS Out	I/O	O	Low	
84		RCS Out	I/O	O	Low	
85		Remote Control	I/O	I		
86			I	I		
87			I	I		
88		GND	V <sub>ss</sub>			
89		V <sub>DD</sub>	V <sub>DD</sub>			
90		N.C				
91		PLL/Vol. CLK	PLL / Volume Clock	I/O	O	
92		PLL/Vol. Data	PLL / Volume Data	I/O	O	
93		TC9459/9842 CE	TC9459 / 9842 Chip Enable	I/O	O	
94		PLL Data In	PLL Data In ( PLL → MCU)	I/O	I	
95		Tuner Mute	I/O	O		
96		Stereo	I/O	I		
97		Tuned	I/O	I		
98		PLL CE	PLL Chip Enable	I/O	O	
99		4094 OSD CLK	4094 / OSD Clock	I/O	O	
100		4094 OSD Data		I/O	O	