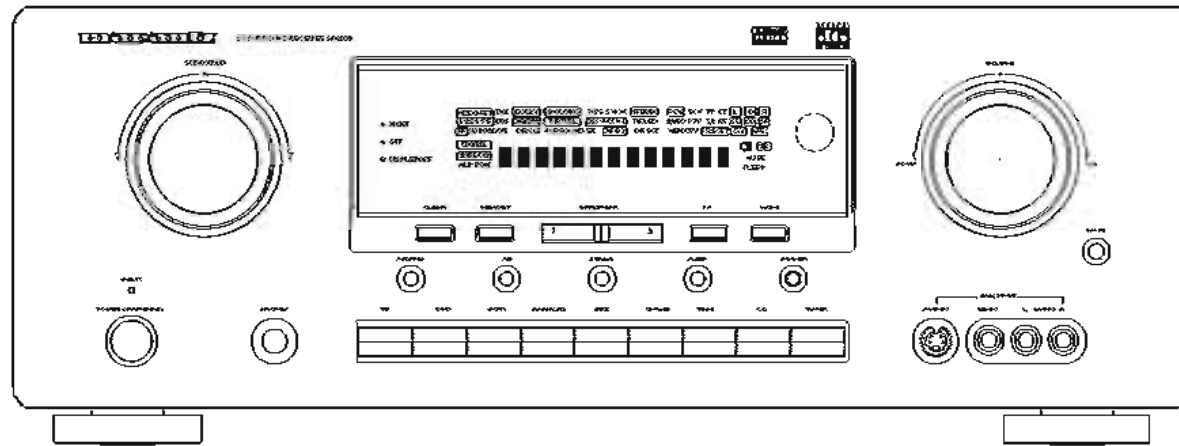


Service Manual

SR5200 /K2G, /N2G, /N2B, /U2B
 /K1G, /N1G, /N1B, /U1B
 SR6200 /K2G, /N2G, /N2B, /U2B
 /K1G, /N1G, /N1B, /U1B
 AV Surround Receiver

SR5200

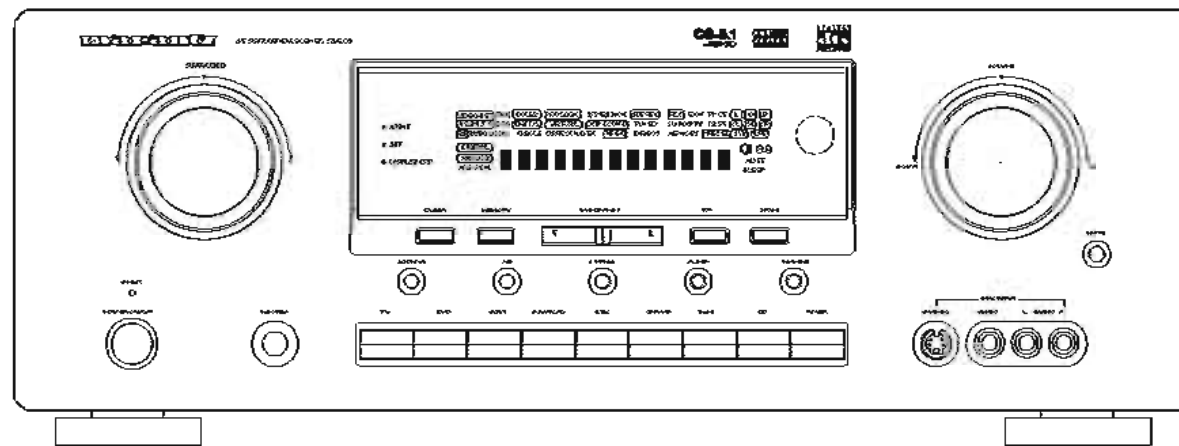


CS-5.1
by SRS (C)

DOLBY
DIGITAL
PRO LOGIC II

DIGITAL
dts
SURROUND

SR6200



SR5200 / SR6200

TABLE OF CONTENTS

1. TECHNICAL SPECIFICATIONS	1
2. WIRING DIAGRAM	5
3. BLOCK DIAGRAM	7
4. SCHEMATIC DIAGRAM	9
5. PARTS LOCATION	27
6. IC DATA	40
7. EXPLODED VIEW AND PARTS LIST	43
8. ALIGNMENT PROCEDURES	49
9. ELECTRICAL PARTS LIST	52

Please use this service manual with referring to the user guide (D.F.U.) without fail.

marantz®

SR5200 / SR6200

321W855010 MIT
 3120 785 22800
 First Issue 2001.12

MARANTZ DESIGN AND SERVICE

Using superior design and selected high grade components, **MARANTZ** company has created the ultimate in stereo sound. Only original **MARANTZ** parts can insure that your **MARANTZ** product will continue to perform to the specifications for which it is famous.

Parts for your **MARANTZ** equipment are generally available to our National Marantz Subsidiary or Agent.

ORDERING PARTS :

Parts can be ordered either by mail or by Fax.. In both cases, the correct part number has to be specified.

The following information must be supplied to eliminate delays in processing your order :

1. Complete address
2. Complete part numbers and quantities required
3. Description of parts
4. Model number for which part is required
5. Way of shipment
6. Signature : any order form or Fax. must be signed, otherwise such part order will be considered as null and void.

USA

MARANTZ AMERICA, INC.
1100 MAPLEWOOD DRIVE
ITASCA, IL. 60143
USA
PHONE : 630 - 741 - 0300
FAX : 630 - 741 - 0301

EUROPE / TRADING

MARANTZ EUROPE B.V.
P.O.BOX 80002, BUILDING SFF2
5600 JB EINDHOVEN
THE NETHERLANDS
PHONE : +31 - 40 - 2732241
FAX : +31 - 40 - 2735578

BRAZIL

PHILIPS DA AMAZONIA IND. ELET. ITDA
CENTRO DE INFORMACOES AO
CEP 04698-970
SAO PAULO, SP, BRAZIL
PHONE : 0800 - 123123(Discagem Direta Gratuita)
FAX : +55 11 534. 8988

PROFESSIONAL AMERICAS

SUPERSCOPE TECHNOLOGIES, INC.
MARANTZ PROFESSIONAL PRODUCTS
2640 WHITE OAK CIRCLE, SUITE A
AURORA, ILLINOIS 60504 USA
PHONE : 630 - 820 - 4800
FAX : 630 - 820 - 8103

PROFESSIONAL AUSTRALIA

TECHNICAL AUDIO GROUP PTY, LTD
558 DARLING STREET,
BALMAIN, NSW 2041,
AUSTRALIA
PHONE : 61 - 2 - 9810 - 5300
FAX : 61 - 2 - 9810 - 5355

CANADA

LENBROOK INDUSTRIES LIMITED
633 GRANITE COURT,
PICKERING, ONTARIO L1W 3K1
CANADA
PHONE : 905 - 831 - 6333
FAX : 905 - 831 - 6936

AUSTRALIA

QualiFi Pty Ltd,
24 LIONEL ROAD,
MT. WAVERLEY VIC 3149
AUSTRALIA
PHONE : +61 - (0)3 - 9543 - 1522
FAX : +61 - (0)3 - 9543 - 3677

THAILAND

MRZ STANDARD CO., LTD
746 - 754 MAHACHAI ROAD.,
WANGBURAPAPIROM, PHRANAKORN,
BANGKOK, 10200 THAILAND
PHONE : +66 - 2 - 222 9181
FAX : +66 - 2 - 224 6795

SINGAPORE

WO KEE HONG DISTRIBUTION PTE LTD
130 JOO SENG ROAD
#03-02 OLIVINE BUILDING
SINGAPORE 368357
PHONE : +65 858 5535 / +65 381 8621
FAX : +65 858 6078

NEW ZEALAND

WILDASH AUDIO SYSTEMS NZ
14 MALVERN ROAD MT ALBERT
AUCKLAND NEW ZEALAND
PHONE : +64 - 9 - 8451958
FAX : +64 - 9 - 8463554

TAIWAN

PAI-YUING CO., LTD.
6 TH FL NO, 148 SUNG KIANG ROAD,
TAIPEI, 10429, TAIWAN R.O.C.
PHONE : +886 - 2 - 25221304
FAX : +886 - 2 - 25630415

MALAYSIA

WO KEE HONG ELECTRONICS SDN. BHD.
SUITE 8.1, LEVEL 8, MENARA GENESIS,
NO. 33, JALAN SULTAN ISMAIL,
50250 KUALA LUMPUR, MALAYSIA
PHONE : +60 3 - 2457677
FAX : +60 3 - 2458180

JAPAN Technical

MARANTZ JAPAN, INC.
35- 1, 7- CHOME, SAGAMIONO
SAGAMIHARA - SHI, KANAGAWA
JAPAN 228-8505
PHONE : +81 42 748 1013
FAX : +81 42 741 9190

日本マランツ株式会社

本社 〒228-8505
神奈川県相模原市相模大野7-35-1
営業本部 〒150-0022
東京都渋谷区恵比寿南1-11-9

KOREA

MK ENTERPRISES LTD.
ROOM 604/605, ELECTRO-OFFICETEL, 16-58,
3GA, HANGANG-RO, YONGSAN-KU, SEOUL
KOREA
PHONE : +822 - 3232 - 155
FAX : +822 - 3232 - 154

SHOCK, FIRE HAZARD SERVICE TEST :

CAUTION : After servicing this appliance and prior to returning to customer, measure the resistance between either primary AC cord connector pins (with unit NOT connected to AC mains and its Power switch ON), and the face or Front Panel of product and controls and chassis bottom.

Any resistance measurement less than 1 Megohms should cause unit to be repaired or corrected before AC power is applied, and verified before it is return to the user/customer.

Ref. UL Standard No. 1492.

In case of difficulties, do not hesitate to contact the Technical Department at above mentioned address.

1. TECHNICAL SPECIFICATIONS

SR5200

FM TUNER SECTION

Frequency Range	87.5 - 108.0 MHz
Usable Sensitivity	IHF 1.8 μ V/16.4 dBf
Signal to Noise Ratio	Mono/Stereo 76/72 dB
Distortion	Mono/Stereo 0.2/0.3 %
Stereo Separation	1 kHz 45 dB
Alternate Channel Selectivity	\pm 400 kHz 60 dB (K,U Version) \pm 300 kHz 60 dB (N Version)
Image Rejection	98 MHz 70 dB
Tuner Output Level	1 kHz, \pm 75 kHz Dev 500 mV (K,U Version) 1 kHz, \pm 40 kHz Dev 500 mV (N Version)

AM TUNER SECTION

Frequency Range	AM: 520 - 1710 kHz (K,U Version) LW: 152 - 282 kHz (N Version) MW: 522 - 1611 kHz (N Version)
Signal to Noise Ratio	50 dB
Usable Sensitivity	Loop 400 μ V/m
Distortion	400 Hz, 30 % Mod. 0.5 %
Selectivity	\pm 20 kHz 60 dB (K,U Version) \pm 18 kHz 60 dB (N Version)

AUDIO SECTION

Maximum Power Output (6 ohms / EIAJ) (K Version only)

Front	35W
Center	135W
Surround	135W

Continuous Power Output (8 ohms / 20 Hz - 20 kHz)

Front	90 W
Center	90 W
Surround	90 W
THD Front (20 Hz - 20 kHz)	8 ohms 0.05 %

Input Sensitivity/Impedance

Linear	340 mV / 47 kohms
--------	-------------------

Signal to Noise Ratio

Linear	105 dB
--------	--------

VIDEO

Television Format	NTSC / PAL (K,N Version) NTSC (U Version)
Input Level/Impedance	1 Vp-p / 75 ohms
Output Level/Impedance	1 Vp-p / 75 ohms
Video Frequency Response	5 Hz to 8 MHz (-1 dB)
S/N	60 dB

GENERAL

Power Requirement	AC 110 - 115 V / AC 220 - 230 V 50 / 60 Hz (K Version) AC 230 V 50 Hz (N Version) AC 120 V 60 Hz (U Version)
Power Consumption	310 W (K,N Version) 3.6 A (U Version)

Dimension (MAX)

Width	440 mm (17-3/8 inches)
Height	164 mm (6-1/2 inches)
Depth	425 mm (16-3/4 inches)
Weight	12.9 kg (28.5 lbs)

ACCESSORIES

Remote Control Unit RC5200SR	1
AAA-size batteries	2
FM Feeder Antenna	1
FM Antenna Converter	1
AM Loop Antenna	1
User Guide	1
Registration Card	1 (N Version)
Warranty Card (for USA)	1 (U Version)
Warranty Card (for CANADA)	1 (U Version)

Specifications subject to change without prior notice.

SR6200

FM TUNER SECTION

Frequency Range	87.5 - 108.0 MHz
Usable Sensitivity	IHF 1.8 μ V/16.4 dBf
Signal to Noise Ratio	Mono/Stereo 76/72 dB
Distortion	Mono/Stereo 0.2/0.3 %
Stereo Separation	1 kHz 45 dB
Alternate Channel Selectivity	\pm 300 kHz 60 dB (K,N Version) \pm 400 kHz 60 dB (U Version)
Image Rejection	98 MHz 70 dB
Tuner Output Level	1 kHz, \pm 40 kHz Dev 500 mV (K,N Version) 1 kHz, \pm 75 kHz Dev 500 mV (U Version)

AM TUNER SECTION

Frequency Range	AM: 531 - 1602 kHz (K Version) LW: 152 - 282 kHz (N Version) MW: 522 - 1611 kHz (N Version) AM: 520 - 1710 kHz (U Version)
Signal to Noise Ratio	50 dB
Usable Sensitivity	Loop 400 μ V/m
Distortion	400 Hz, 30 % Mod. 0.5 %
Selectivity	\pm 18 kHz 60 dB (K,N Version) \pm 20 kHz 60 dB (U Version)

AUDIO SECTION

Maximum Power Output (6 ohms / EIAJ) (K Version Only)

Front	160W
Center	160W
Surround	160W

Continuous Power Output (8 ohms / 20 Hz - 20 kHz)

Front	110W
Center	110W
Surround	110W
THD Front (20 Hz - 20 kHz)	8 ohms 0.05 %

Input Sensitivity/Impedance

Linear	340 mV / 47 kohms
--------	-------------------

Signal to Noise Ratio

Linear	105 dB
--------	--------

VIDEO

Television Format	NTSC / PAL (K,N Version) NTSC (U Version)
Input Level/Impedance	1 Vp-p / 75 ohms
Output Level/Impedance	1 Vp-p / 75 ohms
Video Frequency Response	5 Hz to 8 MHz (-1 dB)
S/N	60 dB

GENERAL

Power Requirement	AC 110 - 115 V / AC 220 - 230 V 50 / 60 Hz (K Version) AC 230 V 50 Hz (N Version) AC 120 V 60 Hz (U Version)
Power Consumption	(STEREO MODE RATED POWER) 350 W (K,N Version) 3.8 A (U Version)

Dimension (MAX)

Width	440 mm (17-3/8 inches)
Height	164 mm (6-1/2 inches)
Depth	425 mm (16-3/4 inches)
Weight	14.8 kg (32.7 lbs)

ACCESSORIES

Remote Control Unit RC6200SR	1
AAA-size batteries	2
FM Feeder Antenna	1
FM Antenna Converter	1
AM Loop Antenna	1
User Guide	1
Registration Card	1 (N Version)
Warranty Card (for USA)	1 (U Version)
Warranty Card (for CANADA)	1 (U Version)

Specifications subject to change without prior notice.

The relation between the selected surround mode and the input signal

The surround mode is selected with the surround mode selector knob of the SR5200 / SR6200 or the remote control unit. However, the sound from the speakers depend upon the relationship between the selected surround mode and the input signal. They are as follows;

SR5200

Surround Mode	Input Signal	Output					Fluorescent Indicator			
		L/R	SL/SR	C	SC	SW	Input Indicator	Format Status & Surround Mode	Temporary Display Status	Ch. Status
Auto	Dolby Digital (5.1ch)	○	○	○	-	○	DIGITAL	DOLBY, DIGITAL, AUTO	>AUTO>	L,C,R,SL,SR,LFE
	Dolby Digital (2ch)	○	-	-	-	○	DIGITAL	DOLBY, DIGITAL, AUTO	>AUTO>	L,R
	Dolby Digital (2ch:LvRt)	○	○	○	-	○	DIGITAL	DOLBY, DIGITAL, PRO LOGIC, AUTO	>AUTO>	L,R,SC
	96kHz PCM	○	-	-	-	-	DIGITAL	PCM, STEREO, AUTO	>AUTO>96kHz>	L,R
	PCM(Audio)	○	-	-	-	○	DIGITAL	PCM, STEREO, AUTO	>AUTO>	L,R
	Analog	○	-	-	-	○	ANALOG	STEREO, AUTO	>AUTO>	-
Stereo	DTS (5.1ch)	○	○	○	-	○	DIGITAL	DTS, AUTO	>AUTO>	L,C,R,SL,SR,LFE
	Dolby Digital (5.1ch)	○	-	-	-	○	DIGITAL	DOLBY, DIGITAL, STEREO	>STEREO>	L,C,R,SL,SR,LFE
	Dolby Digital (2ch)	○	-	-	-	○	DIGITAL	DOLBY, DIGITAL, STEREO	>STEREO>	L,R
	Dolby Digital (2ch:LvRt)	○	-	-	-	○	DIGITAL	DOLBY, DIGITAL, STEREO	>STEREO>	L,R,SC
	96kHz PCM	○	-	-	-	-	DIGITAL	PCM, STEREO	>STEREO>96kHz>	L,R
	PCM(Audio)	○	-	-	-	○	DIGITAL	PCM, STEREO	>STEREO>	L,R
Movie	Analog	○	-	-	-	○	ANALOG	STEREO	>STEREO>	-
	DTS (5.1ch)	○	-	-	-	○	DIGITAL	DTS, STEREO	>STEREO>	L,C,R,SL,SR,LFE
	Dolby Digital (5.1ch)	○	○	○	-	○	DIGITAL	DOLBY, DIGITAL	>DOLBY D>	L,C,R,SL,SR,LFE
	Dolby Digital (2ch)	○	○	○	-	○	DIGITAL	DOLBY, DIGITAL, PRO LOGIC	>PLII MOVIE>	L,R
	Dolby Digital (2ch:LvRt)	○	○	○	-	○	DIGITAL	DOLBY, DIGITAL, PRO LOGIC	>PLII MOVIE>	L,R,SC
	96kHz PCM	-	-	-	-	-	DIGITAL	(PCM), DOLBY, PRO LOGIC	>PLII MOVIE>96kHz>	-
Music	PCM(Audio)	○	○	○	-	○	DIGITAL	PCM, DOLBY, PRO LOGIC	>PLII MOVIE>	L,R
	Analog	○	○	○	-	○	ANALOG	DOLBY, PRO LOGIC	>PLII MOVIE>	-
	DTS (5.1ch)	-	-	-	-	-	DIGITAL	(DTS), DOLBY, PRO LOGIC	>PLII MOVIE>	-
	Dolby Digital (5.1ch)	○	○	○	-	○	DIGITAL	DOLBY, DIGITAL	>DOLBY D>	L,C,R,SL,SR,LFE
	Dolby Digital (2ch)	○	○	○	-	○	DIGITAL	DOLBY, DIGITAL, PRO LOGIC	>PLII MUSIC>	L,R
	Dolby Digital (2ch:LvRt)	○	○	○	-	○	DIGITAL	DOLBY, DIGITAL, PRO LOGIC	>PLII MUSIC>	L,R,SC
Pro Logic	96kHz PCM	-	-	-	-	-	DIGITAL	(PCM), DOLBY, PRO LOGIC	>PLII MUSIC>96kHz>	-
	PCM(Audio)	○	○	○	-	○	DIGITAL	PCM, DOLBY, PRO LOGIC	>PLII MUSIC>	L,R
	Analog	○	○	○	-	○	ANALOG	DOLBY, PRO LOGIC	>PLII MUSIC>	-
	DTS (5.1ch)	-	-	-	-	-	DIGITAL	(DTS), DOLBY, PRO LOGIC	>PLII MUSIC>	-
	Dolby Digital (5.1ch)	○	○	○	-	○	DIGITAL	DOLBY, DIGITAL	>DOLBY D>	L,C,R,SL,SR,LFE
	Dolby Digital (2ch)	○	○	○	-	○	DIGITAL	DOLBY, DIGITAL, PRO LOGIC	>PRO LOGIC>	L,R
DTS	Dolby Digital (2ch:LvRt)	○	○	○	-	○	DIGITAL	DOLBY, DIGITAL, PRO LOGIC	>PRO LOGIC>	L,R,SC
	96kHz PCM	-	-	-	-	-	DIGITAL	(PCM), DOLBY, PRO LOGIC	>PRO LOGIC>96kHz>	-
	PCM(Audio)	○	○	○	-	○	DIGITAL	PCM, DOLBY, PRO LOGIC	>PRO LOGIC>	L,R
	Analog	○	○	○	-	○	ANALOG	DOLBY, PRO LOGIC	>PRO LOGIC>	-
	DTS (5.1ch)	-	-	-	-	-	DIGITAL	(DTS), DOLBY, PRO LOGIC	>PRO LOGIC>	-
	Dolby Digital (5.1ch)	-	-	-	-	-	DIGITAL	(DOLBY, DIGITAL), DTS	>DTS>	-
6.1Ch Surround	Dolby Digital (2ch)	-	-	-	-	-	DIGITAL	(DOLBY, DIGITAL), DTS	>DTS>	-
	Dolby Digital (2ch:LvRt)	-	-	-	-	-	DIGITAL	(DOLBY, DIGITAL), DTS	>DTS>	-
	96kHz PCM	-	-	-	-	-	DIGITAL	(PCM), DTS	>DTS>	-
	PCM(Audio)	-	-	-	-	-	DIGITAL	(PCM), DTS	>DTS>	-
	Analog	-	-	-	-	-	(ANALOG)	DTS	>DTS>	-
	DTS (5.1ch)	○	○	○	-	○	DIGITAL	DTS	>DTS>	L,C,R,SL,SR,LFE
Movie Hall Stadium Matrix	Dolby Digital (5.1ch)	○	○	○	○	○	DIGITAL	DOLBY, DIGITAL	>6.1 CH SURROUND>	L,C,R,SL,SR,LFE
	Dolby Digital (2ch)	-	-	-	-	-	DIGITAL	(DOLBY, DIGITAL)	>6.1 CH SURROUND>	-
	Dolby Digital (2ch:LvRt)	-	-	-	-	-	DIGITAL	(DOLBY, DIGITAL)	>6.1 CH SURROUND>	-
	96kHz PCM	-	-	-	-	-	DIGITAL	(PCM)	>6.1 CH SURROUND>	-
	PCM(Audio)	-	-	-	-	-	DIGITAL	(PCM)	>6.1 CH SURROUND>	-
	Analog	-	-	-	-	-	(ANALOG)		>6.1 CH SURROUND>	-
Virtual	DTS (5.1ch)	○	○	○	-	○	DIGITAL	DTS	>6.1 CH SURROUND>	L,C,R,SL,SR,LFE
	Dolby Digital (5.1ch)	-	-	-	-	-	DIGITAL	(DOLBY, DIGITAL), DSP SOUND	>MOVIE HALL/ STADIUM MATRIX>	-
	Dolby Digital (2ch)	-	-	-	-	-	DIGITAL	(DOLBY, DIGITAL), DSP SOUND	>MOVIE HALL/ STADIUM MATRIX>	-
	Dolby Digital (2ch:LvRt)	-	-	-	-	-	DIGITAL	(DOLBY, DIGITAL), DSP SOUND	>MOVIE HALL/ STADIUM MATRIX>	-
	96kHz PCM	-	-	-	-	-	DIGITAL	(PCM), DSP SOUND	>MOVIE HALL/ STADIUM MATRIX>	-
	PCM(Audio)	○	○	○	-	○	DIGITAL	PCM, DSP SOUND	>MOVIE HALL/ STADIUM MATRIX>	L,R
6CH Stereo	Analog	○	○	○	-	○	ANALOG	DSP SOUND	>MOVIE HALL/ STADIUM MATRIX>	-
	DTS (5.1ch)	-	-	-	-	-	DIGITAL	(DTS), DSP SOUND	>MOVIE HALL/ STADIUM MATRIX>	-
	Dolby Digital (5.1ch)	○	-	-	-	-	DIGITAL	DOLBY, DIGITAL, VIRTUAL	>VIRTUAL>	L,C,R,SL,SR,LFE
	Dolby Digital (2ch)	○	-	-	-	-	DIGITAL	DOLBY, DIGITAL, PRO LOGIC, VIRTUAL	>VIRTUAL>	L,R
	Dolby Digital (2ch:LvRt)	○	-	-	-	-	DIGITAL	DOLBY, DIGITAL, PRO LOGIC, VIRTUAL	>VIRTUAL>	L,R,SC
	96kHz PCM	-	-	-	-	-	DIGITAL	(PCM)	>VIRTUAL>96kHz>	-
6CH Stereo	PCM(Audio)	○	-	-	-	-	DIGITAL	PCM, DOLBY, PRO LOGIC, VIRTUAL	>VIRTUAL>	L,R
	Analog	○	-	-	-	-	ANALOG	DOLBY, PRO LOGIC, VIRTUAL	>VIRTUAL>	-
	DTS (5.1ch)	-	-	-	-	-	DIGITAL	(DTS), DOLBY, VIRTUAL	>VIRTUAL>	-
	Dolby Digital (5.1ch)	○	○	○	-	○	DIGITAL	DOLBY, DIGITAL	>6CH STEREO>	L,C,R,SL,SR,LFE
	Dolby Digital (2ch)	○	○	○	○	○	DIGITAL	DOLBY, DIGITAL	>6CH STEREO>	L,R
	Dolby Digital (2ch:LvRt)	○	○	○	○	○	DIGITAL	DOLBY, DIGITAL	>6CH STEREO>	L,R,SC
6CH Stereo	96kHz PCM	-	-	-	-	-	DIGITAL	(PCM)	>6CH STEREO>96kHz>	-
	PCM(Audio)	○	○	○	○	○	DIGITAL	PCM	>6CH STEREO>	L,R
	Analog	○	○	○	○	○	ANALOG		>6CH STEREO>	-
	DTS (5.1ch)	○	○	○	-	○	DIGITAL	DTS	>6CH STEREO>	L,C,R,SL,SR,LFE

L/R : Front speaker
 SL/SR : Surround speaker
 C : Center speaker
 SC : Surround center speaker
 SW : Sub woofer speaker

() : The indicator blinks
 L : Left
 R : Right
 C : Center
 SL : Surround Left
 SR : Surround Right
 SC : Mono Surround
 LFE : Low Frequency Effect

NOTES:

- Dolby Digital (2 ch: LvRt): signal with Dolby Surround flag Speakers are full set.
- When DOLBY DIGITAL, DTS, PCM or ANALOG is blinking, the selected surround mode is unavailable for input signal. Select the other appropriate surround mode to playback.
- No sound outputs from the surround speaker, center speaker and subwoofer if the DVD disc has no surround data.

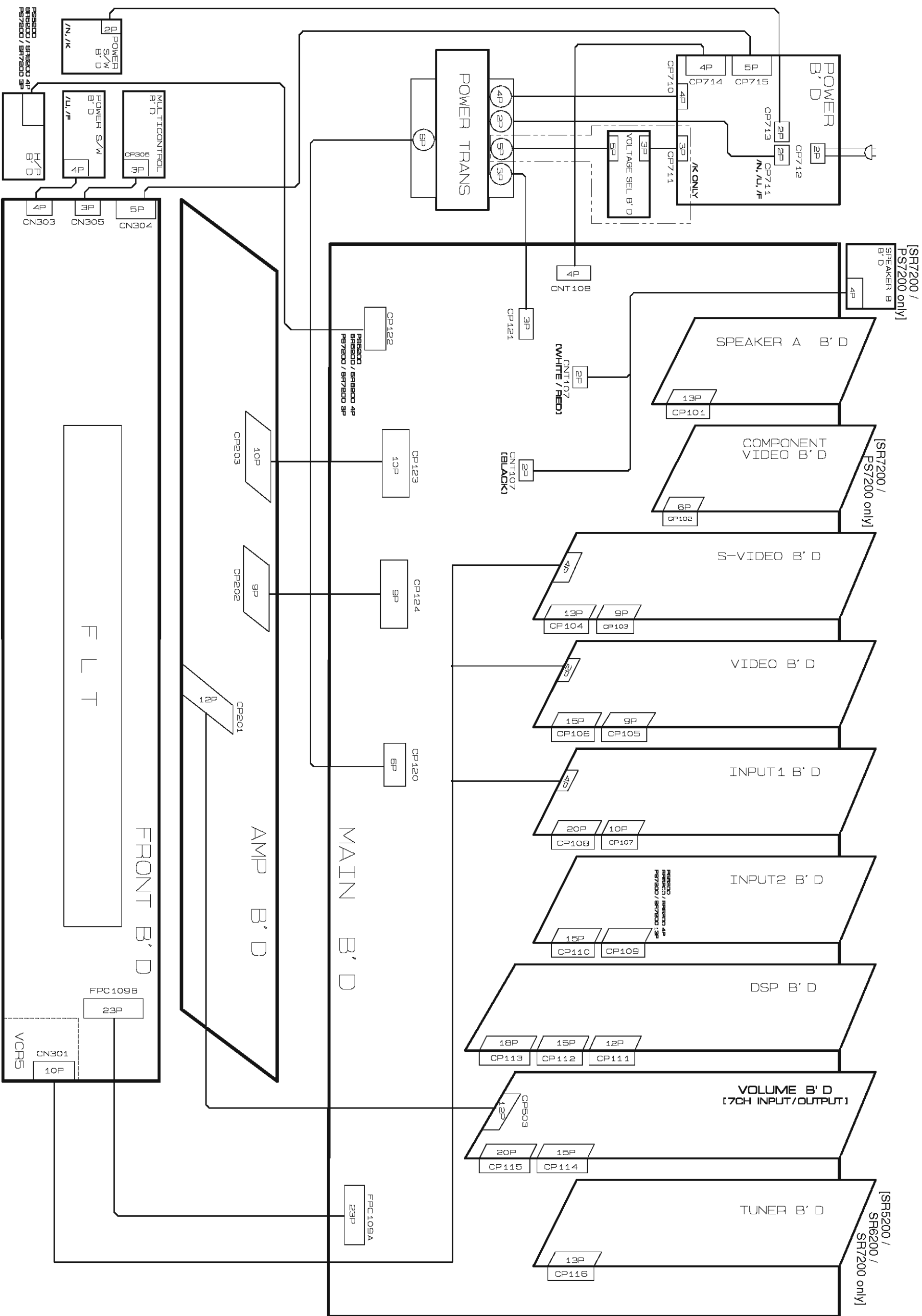
SR6200

Surround Mode	Input Signal	Output					Fluorescent Indicator			
		L/R	SL/SR	C	SC	SW	Input Indicator	Format Status & Surround Mode	Temporary Display Status	Ch. Status
Auto	Dolby Digital (5.1ch)	○	○	○	-	○	DIGITAL	DOLBY, DIGITAL, AUTO	>AUTO>	L,C,R,SL,SR,LFE
	Dolby Digital (2ch)	○	-	-	-	○	DIGITAL	DOLBY, DIGITAL, AUTO	>AUTO>	L,R
	Dolby Digital (2ch:Lt/Rt)	○	○	○	-	○	DIGITAL	DOLBY, DIGITAL, PRO LOGIC, AUTO	>AUTO>	L,R,SC
	96kHz PCM	○	-	-	-	-	DIGITAL	PCM, STEREO, AUTO	>AUTO>96kHz>	L,R
	PCM(Audio)	○	-	-	-	○	DIGITAL	PCM, STEREO, AUTO	>AUTO>	L,R
	Analog	○	-	-	-	○	ANALOG	STEREO, AUTO	>AUTO>	-
Stereo	DTS (5.1ch)	○	○	○	-	○	DIGITAL	DTS, AUTO	>AUTO>	L,C,R,SL,SR,LFE
	Dolby Digital (5.1ch)	○	-	-	-	○	DIGITAL	DOLBY, DIGITAL, STEREO	>STEREO>	L,C,R,SL,SR,LFE
	Dolby Digital (2ch)	○	-	-	-	○	DIGITAL	DOLBY, DIGITAL, STEREO	>STEREO>	L,R
	Dolby Digital (2ch:Lt/Rt)	○	-	-	-	○	DIGITAL	DOLBY, DIGITAL, STEREO	>STEREO>	L,R,SC
	96kHz PCM	○	-	-	-	-	DIGITAL	PCM, STEREO	>STEREO>96kHz>	L,R
	PCM(Audio)	○	-	-	-	○	DIGITAL	PCM, STEREO	>STEREO>	L,R
Movie	Analog	○	-	-	-	○	ANALOG	STEREO	>STEREO>	-
	DTS (5.1ch)	○	-	-	-	○	DIGITAL	DTS, STEREO	>STEREO>	L,C,R,SL,SR,LFE
	Dolby Digital (5.1ch)	○	○	○	-	○	DIGITAL	DOLBY, DIGITAL	>DOLBY D>	L,C,R,SL,SR,LFE
	Dolby Digital (2ch)	○	○	○	-	○	DIGITAL	DOLBY, DIGITAL, PRO LOGIC	>PLII MOVIE>	L,R
	Dolby Digital (2ch:Lt/Rt)	○	○	○	-	○	DIGITAL	DOLBY, DIGITAL, PRO LOGIC	>PLII MOVIE>	L,R,SC
	96kHz PCM	-	-	-	-	-	DIGITAL	(PCM), DOLBY, PRO LOGIC	>PLII MOVIE>96kHz>	-
Music	PCM(Audio)	○	○	○	-	○	DIGITAL	PCM, DOLBY, PRO LOGIC	>PLII MOVIE>	L,R
	Analog	○	○	○	-	○	ANALOG	DOLBY, PRO LOGIC	>PLII MOVIE>	-
	DTS (5.1ch)	-	-	-	-	-	DIGITAL	(DTS), DOLBY, PRO LOGIC	>PLII MOVIE>	-
	Dolby Digital (5.1ch)	○	○	○	-	○	DIGITAL	DOLBY, DIGITAL	>DOLBY D>	L,C,R,SL,SR,LFE
	Dolby Digital (2ch)	○	○	○	-	○	DIGITAL	DOLBY, DIGITAL, PRO LOGIC	>PLII MUSIC>	L,R
	Dolby Digital (2ch:Lt/Rt)	○	○	○	-	○	DIGITAL	DOLBY, DIGITAL, PRO LOGIC	>PLII MUSIC>	L,R,SC
Pro Logic	96kHz PCM	-	-	-	-	-	DIGITAL	(PCM), DOLBY, PRO LOGIC	>PLII MUSIC>96kHz>	-
	PCM(Audio)	○	○	○	-	○	DIGITAL	PCM, DOLBY, PRO LOGIC	>PLII MUSIC>	L,R
	Analog	○	○	○	-	○	ANALOG	DOLBY, PRO LOGIC	>PLII MUSIC>	-
	DTS (5.1ch)	-	-	-	-	-	DIGITAL	(DTS), DOLBY, PRO LOGIC	>PLII MUSIC>	-
	Dolby Digital (5.1ch)	○	○	○	-	○	DIGITAL	DOLBY, DIGITAL	>DOLBY D>	L,C,R,SL,SR,LFE
	Dolby Digital (2ch)	○	○	○	-	○	DIGITAL	DOLBY, DIGITAL, PRO LOGIC	>PRO LOGIC>	L,R
DTS	Dolby Digital (2ch:Lt/Rt)	○	○	○	-	○	DIGITAL	DOLBY, DIGITAL, PRO LOGIC	>PRO LOGIC>	L,R,SC
	96kHz PCM	-	-	-	-	-	DIGITAL	(PCM), DOLBY, PRO LOGIC	>PRO LOGIC>96kHz>	-
	PCM(Audio)	○	○	○	-	○	DIGITAL	PCM, DOLBY, PRO LOGIC	>PRO LOGIC>	L,R
	Analog	○	○	○	-	○	ANALOG	DOLBY, PRO LOGIC	>PRO LOGIC>	-
	DTS (5.1ch)	-	-	-	-	-	DIGITAL	(DTS), DOLBY, PRO LOGIC	>PRO LOGIC>	-
	Dolby Digital (5.1ch)	-	-	-	-	-	DIGITAL	(DOLBY, DIGITAL), DTS	>DTS>	-
6.1Ch Surround	Dolby Digital (2ch)	-	-	-	-	-	DIGITAL	(DOLBY, DIGITAL), DTS	>DTS>	-
	Dolby Digital (2ch:Lt/Rt)	-	-	-	-	-	DIGITAL	(DOLBY, DIGITAL), DTS	>DTS>	-
	96kHz PCM	-	-	-	-	-	DIGITAL	(PCM), DTS	>DTS>	-
	PCM(Audio)	-	-	-	-	-	DIGITAL	(PCM), DTS	>DTS>	-
	Analog	-	-	-	-	-	(ANALOG)	DTS	>DTS>	-
	DTS (5.1ch)	○	○	○	-	○	DIGITAL	DTS	>DTS>	L,C,R,SL,SR,LFE
Movie Hall Stadium Matrix	Dolby Digital (5.1ch)	○	○	○	○	○	DIGITAL	DOLBY, DIGITAL	>6.1 CH SURROUND>	L,C,R,SL,SR,LFE
	Dolby Digital (2ch)	-	-	-	-	-	DIGITAL	(DOLBY, DIGITAL)	>6.1 CH SURROUND>	-
	Dolby Digital (2ch:Lt/Rt)	-	-	-	-	-	DIGITAL	(DOLBY, DIGITAL)	>6.1 CH SURROUND>	-
	96kHz PCM	-	-	-	-	-	DIGITAL	(PCM)	>6.1 CH SURROUND>	-
	PCM(Audio)	-	-	-	-	-	DIGITAL	(PCM)	>6.1 CH SURROUND>	-
	Analog	-	-	-	-	-	(ANALOG)		>6.1 CH SURROUND>	-
Virtual	DTS (5.1ch)	○	○	○	-	○	DIGITAL	DTS	>6.1 CH SURROUND>	L,C,R,SL,SR,LFE
	Dolby Digital (5.1ch)	-	-	-	-	-	DIGITAL	(DOLBY, DIGITAL), DSP SOUND	>MOVIEHALL/STADIUMMATRIX>	-
	Dolby Digital (2ch)	-	-	-	-	-	DIGITAL	(DOLBY, DIGITAL), DSP SOUND	>MOVIEHALL/STADIUMMATRIX>	-
	Dolby Digital (2ch:Lt/Rt)	-	-	-	-	-	DIGITAL	(DOLBY, DIGITAL), DSP SOUND	>MOVIEHALL/STADIUMMATRIX>	-
	96kHz PCM	-	-	-	-	-	DIGITAL	(PCM), DSP SOUND	>MOVIEHALL/STADIUMMATRIX>	-
	PCM(Audio)	○	○	○	-	○	DIGITAL	PCM, DSP SOUND	>MOVIEHALL/STADIUMMATRIX>	L,R
CS5.1	Analog	○	○	○	-	○	ANALOG	DSP SOUND	>MOVIEHALL/STADIUMMATRIX>	-
	DTS (5.1ch)	-	-	-	-	-	DIGITAL	(DTS), DSP SOUND	>MOVIEHALL/STADIUMMATRIX>	-
	Dolby Digital (5.1ch)	○	-	-	-	-	DIGITAL	DOLBY, DIGITAL, VIRTUAL	>VIRTUAL>	L,C,R,SL,SR,LFE
	Dolby Digital (2ch)	○	-	-	-	-	DIGITAL	DOLBY, DIGITAL, PROLOGIC, VIRTUAL	>VIRTUAL>	L,R
	Dolby Digital (2ch:Lt/Rt)	○	-	-	-	-	DIGITAL	DOLBY, DIGITAL, PROLOGIC, VIRTUAL	>VIRTUAL>	L,R,SC
	96kHz PCM	-	-	-	-	-	DIGITAL	(PCM)	>VIRTUAL>96kHz>	-
6CH Stereo	PCM(Audio)	○	-	-	-	-	DIGITAL	PCM, DOLBY, PROLOGIC, VIRTUAL	>VIRTUAL>	L,R
	Analog	○	-	-	-	-	ANALOG	DOLBY, PROLOGIC, VIRTUAL	>VIRTUAL>	-
	DTS (5.1ch)	-	-	-	-	-	DIGITAL	(DTS), DOLBY, VIRTUAL	>VIRTUAL>	-
	Dolby Digital (5.1ch)	-	-	-	-	-	DIGITAL	(DOLBY, DIGITAL)	>CS5.1>	-
	Dolby Digital (2ch)	-	-	-	-	-	DIGITAL	(DOLBY, DIGITAL)	>CS5.1>	-
	Dolby Digital (2ch:Lt/Rt)	-	-	-	-	-	DIGITAL	(DOLBY, DIGITAL)	>CS5.1>	-
6CH Stereo	96kHz PCM	-	-	-	-	-	DIGITAL	(PCM)	>CS5.1>96kHz>	-
	PCM(Audio)	○	○	○	-	○	DIGITAL	PCM	>CS5.1>	L,R
	Analog	○	○	○	-	○	ANALOG		>CS5.1>	-
	DTS (5.1ch)	-	-	-	-	-	DIGITAL	(DTS)	>CS5.1>	-
	Dolby Digital (5.1ch)	○	○	○	-	○	DIGITAL	DOLBY, DIGITAL	>6CH STEREO>	L,C,R,SL,SR,LFE
	Dolby Digital (2ch)	○	○	○	○	○	DIGITAL	DOLBY, DIGITAL	>6CH STEREO>	L,R
6CH Stereo	Dolby Digital (2ch:Lt/Rt)	○	○	○	○	○	DIGITAL	DOLBY, DIGITAL	>6CH STEREO>	L,R,SC
	96kHz PCM	-	-	-	-	-	DIGITAL	(PCM)	>6CH STEREO>96kHz>	-
	PCM(Audio)	○	○	○	○	○	DIGITAL	PCM	>6CH STEREO>	L,R
	Analog	○	○	○	○	○	ANALOG		>6CH STEREO>	-
	DTS (5.1ch)	○	○	○	-	○	DIGITAL	DTS	>6CH STEREO>	L,C,R,SL,SR,LFE

L/R : Front speaker
 SL/SR : Surround speaker () : The indicator blinks
 C : Center speaker
 SC : Surround center speaker
 SW : Sub woofer speaker

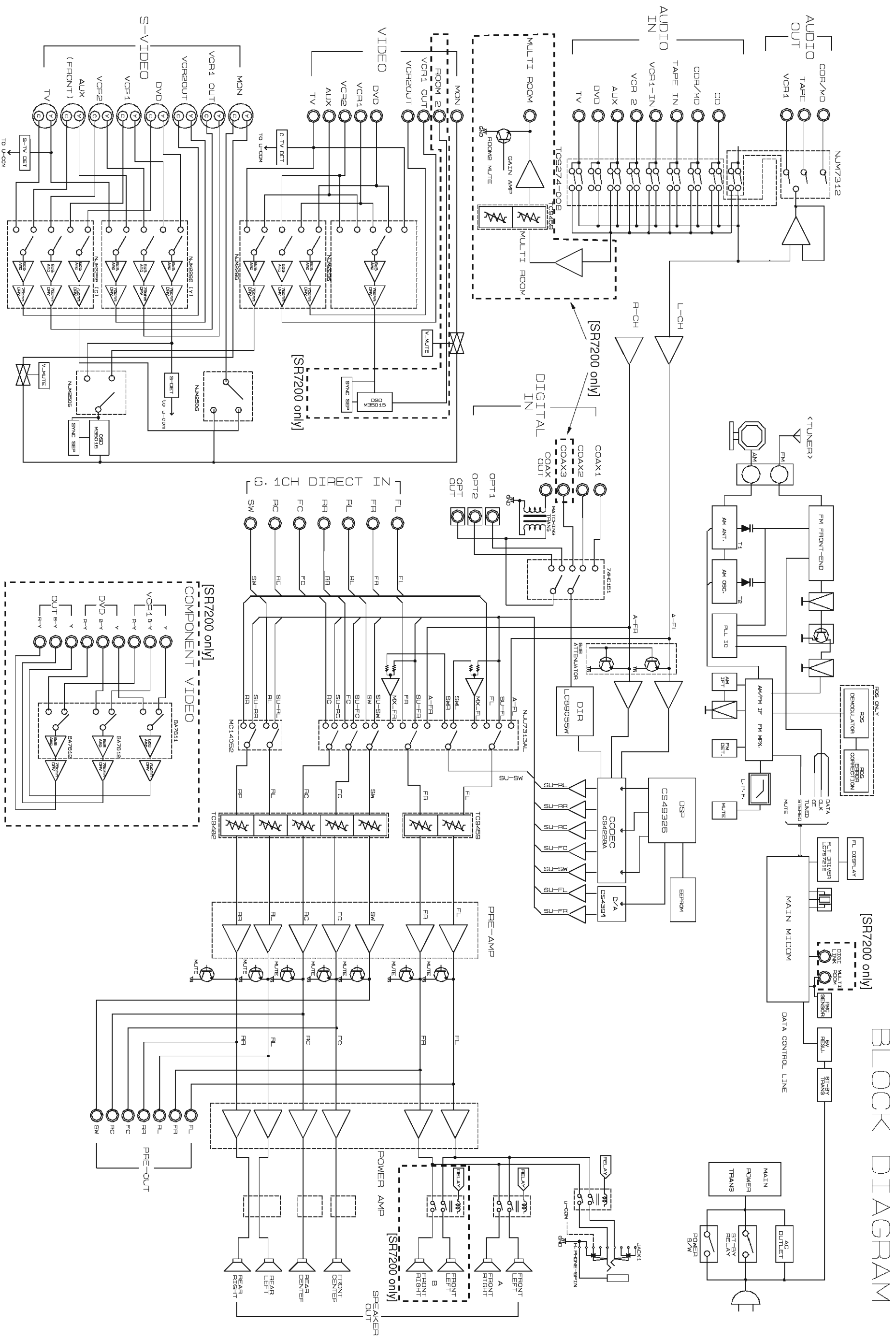
L : Left
 R : Right
 C : Center
 SL : Surround Left
 SR : Surround Right
 SC : Mono Surround
 LFE : Low Frequency Effect

NOTES



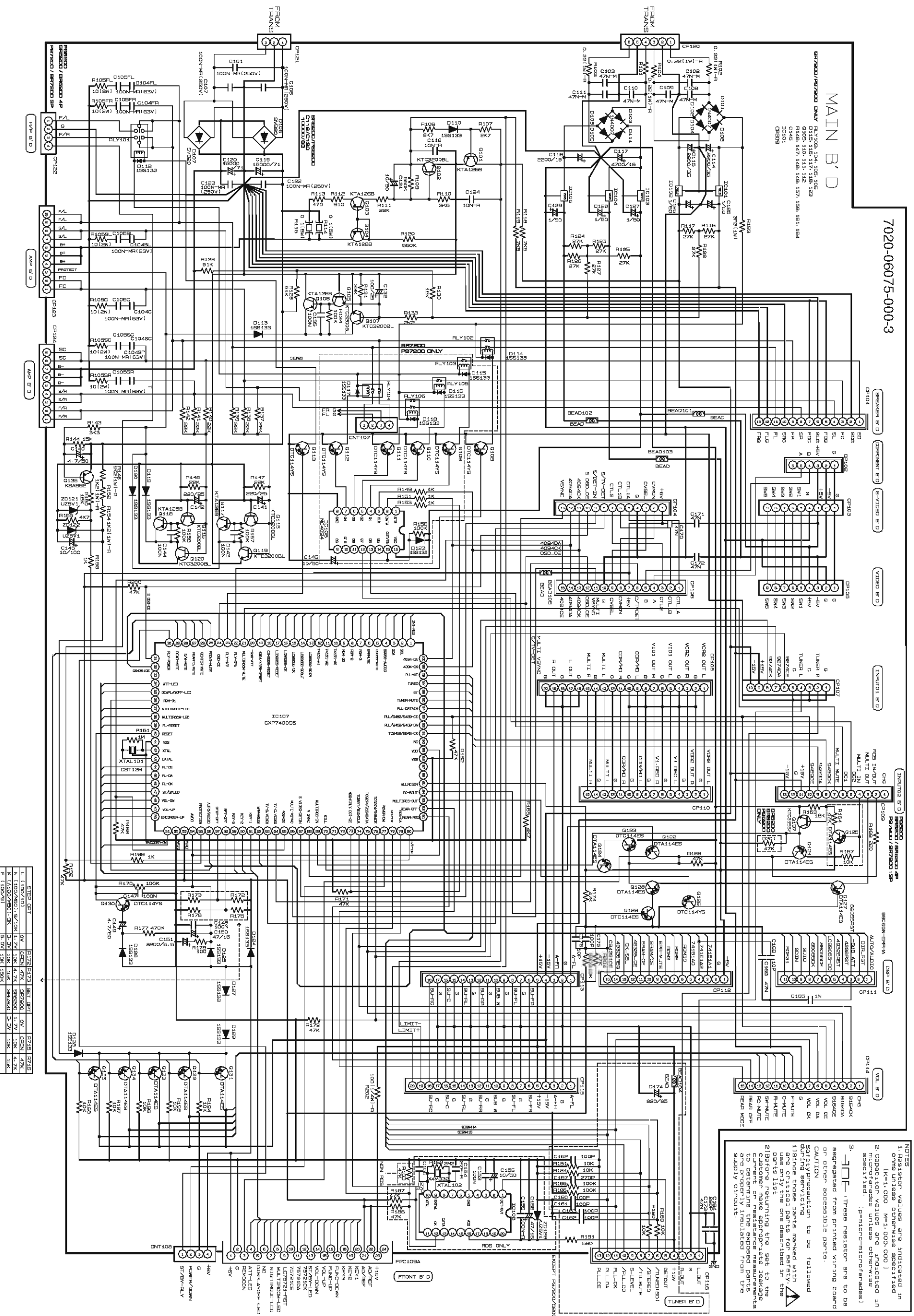
WIRING DIAGRAM

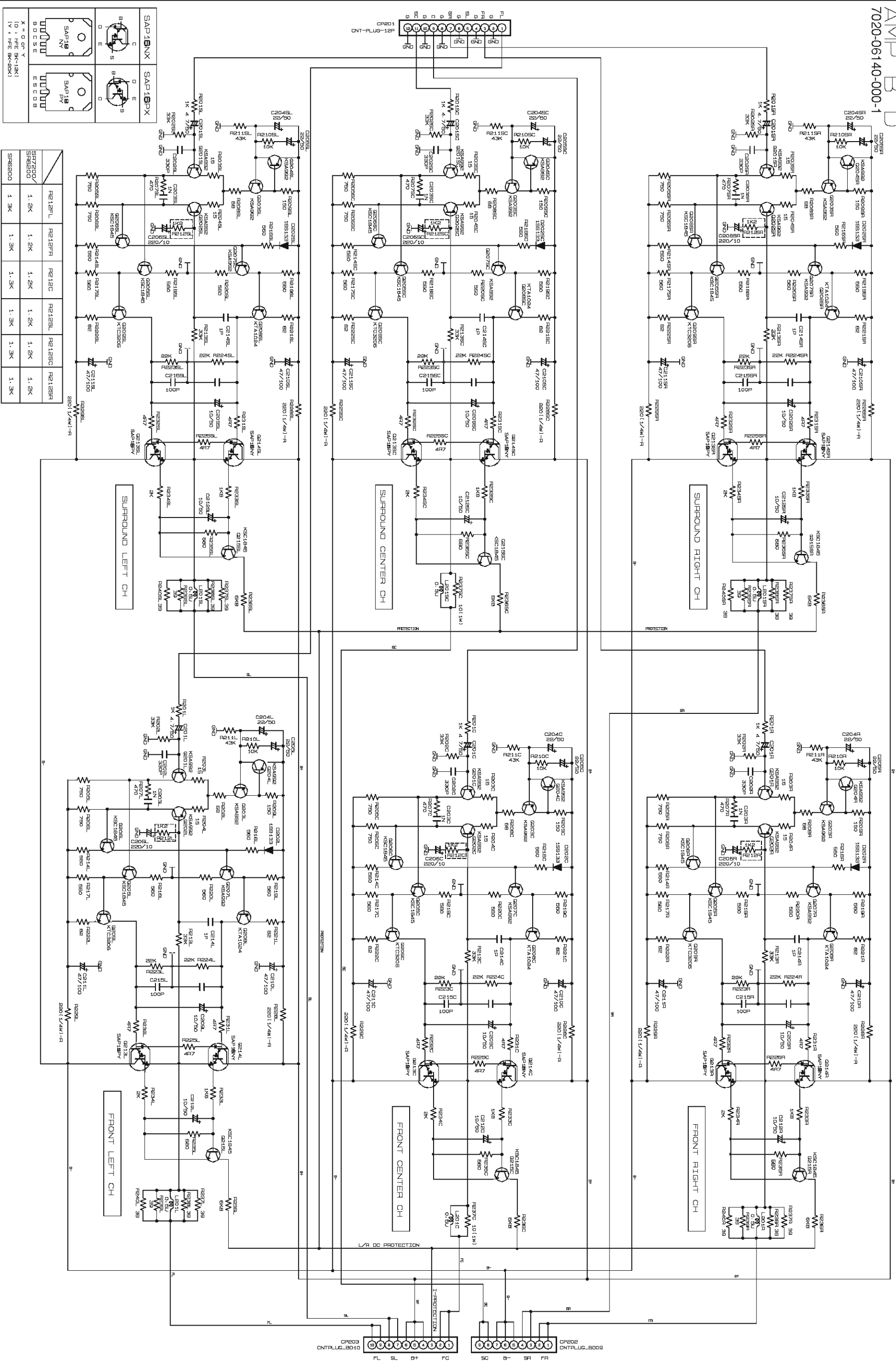
3. BLOCK DIAGRAM



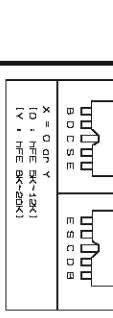
BLOCK DIAGRAM

4. SCHEMATIC DIAGRAM

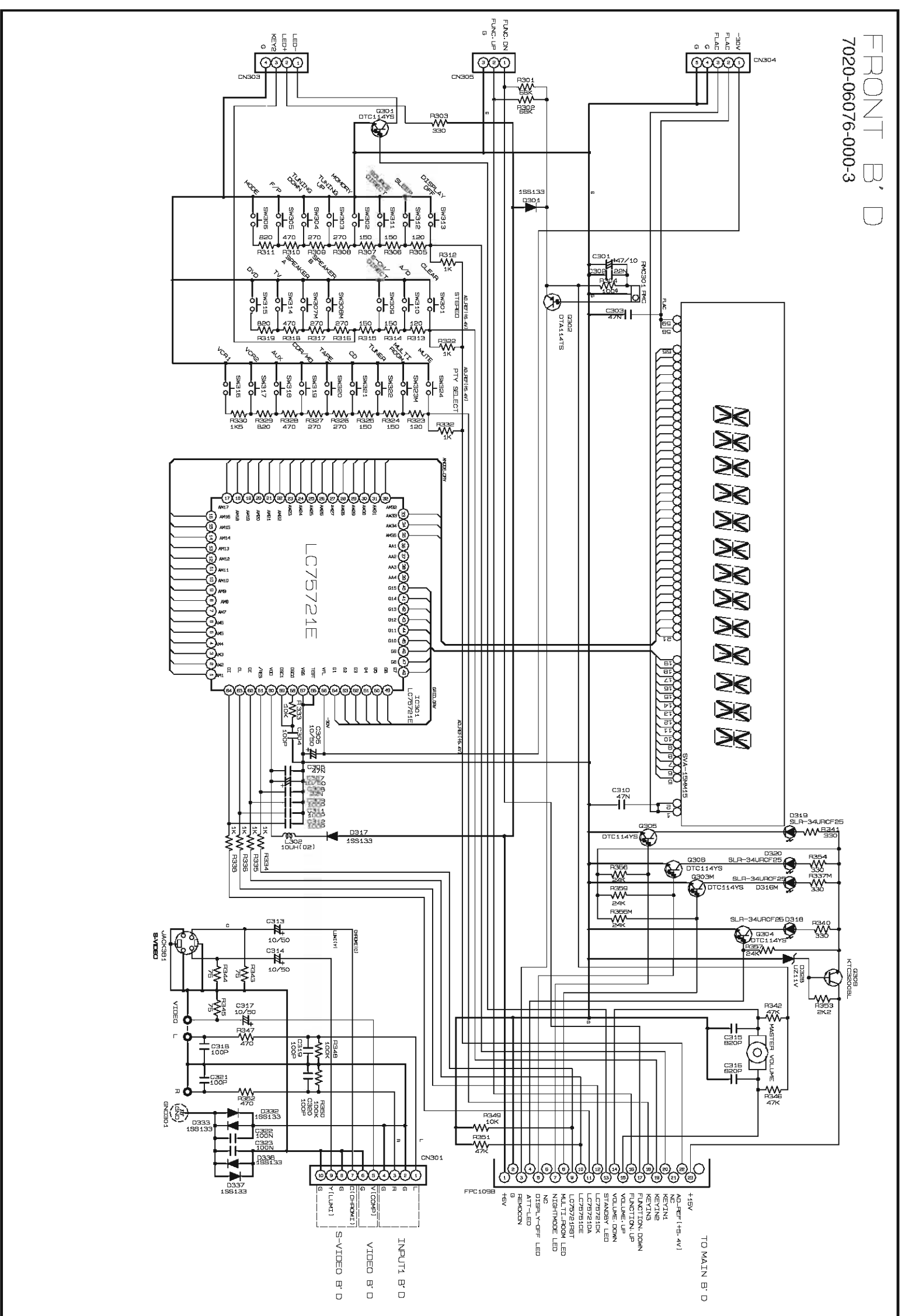
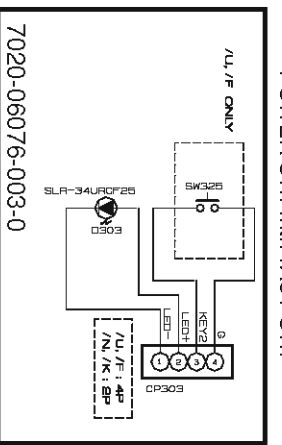
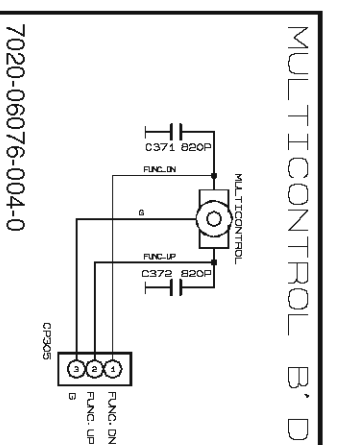
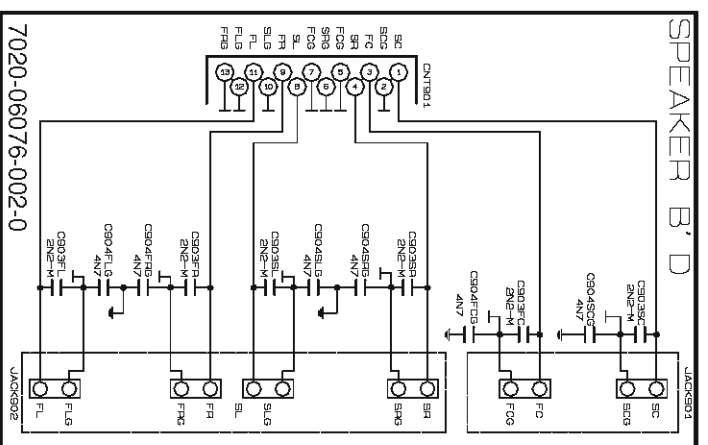


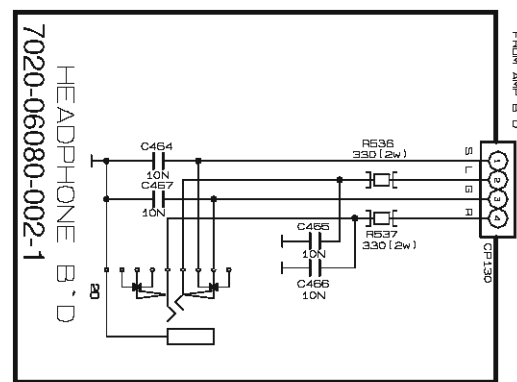
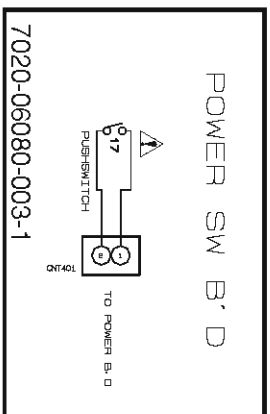
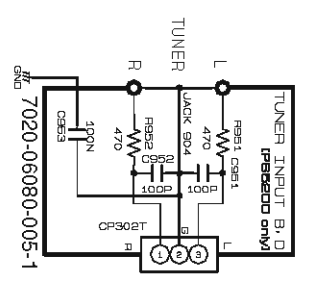
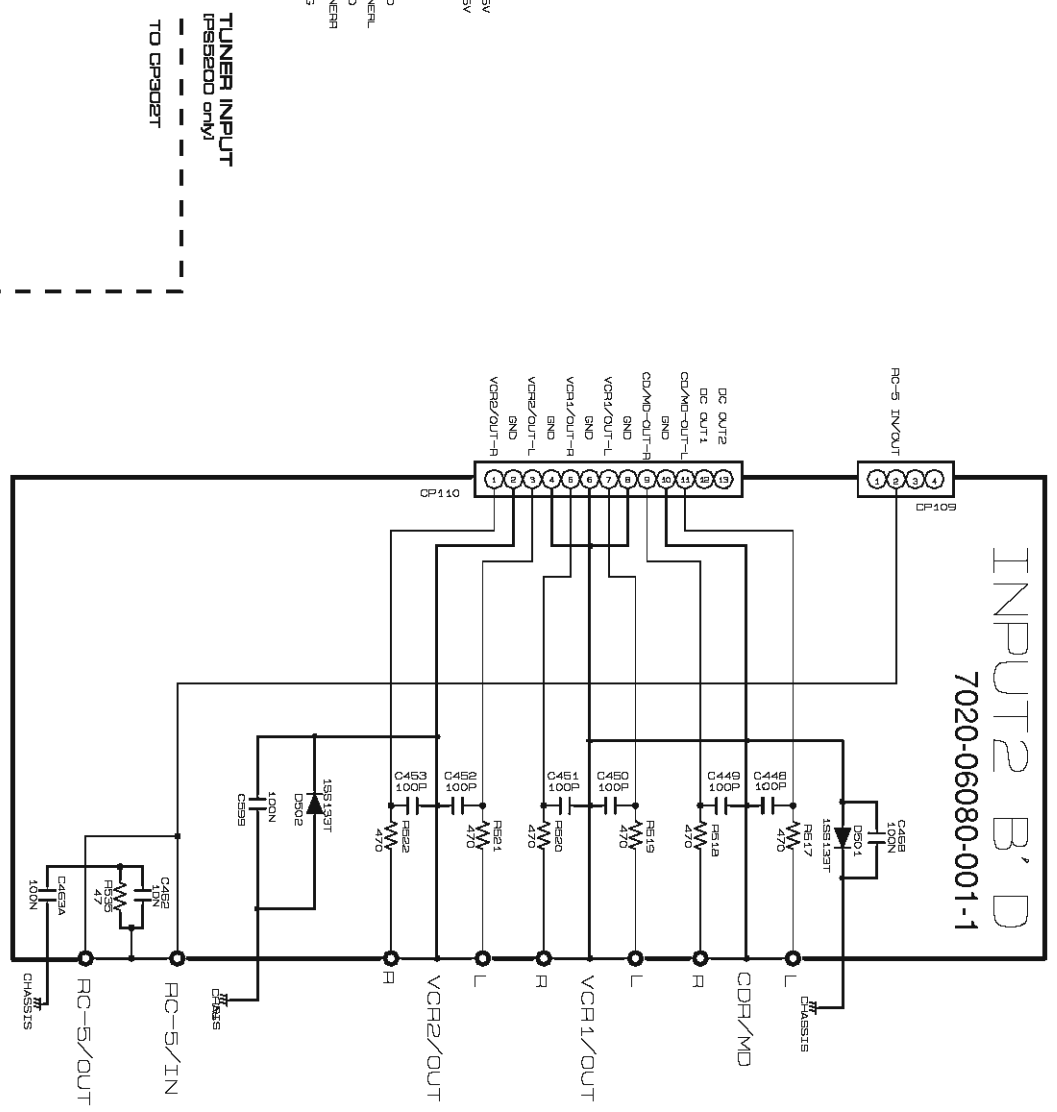
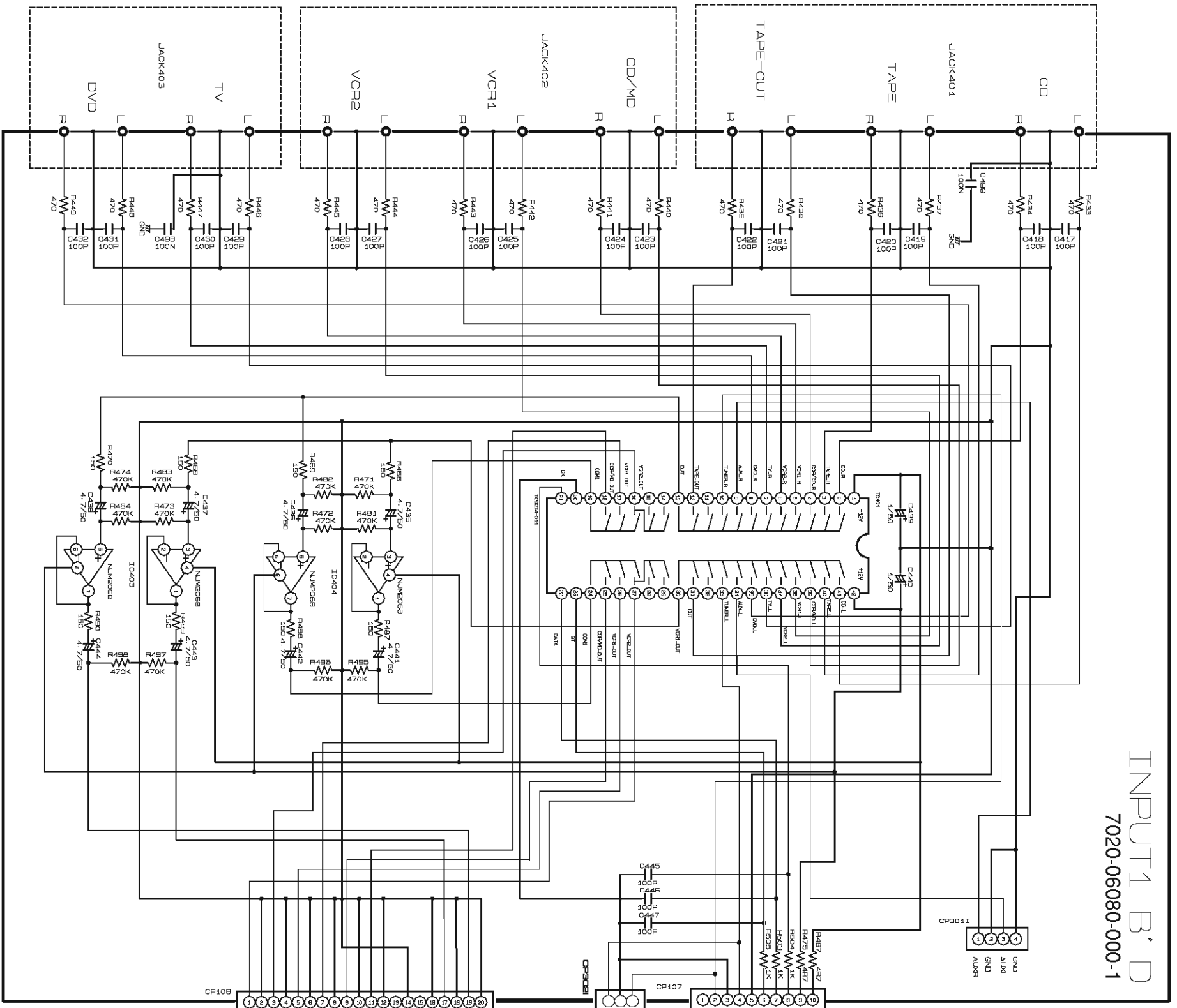


Channel	Component	Value
SURROUND RIGHT CH	R201	1.0K
	R202	1.0K
	R203	1.0K
	R204	1.0K
SURROUND CENTER CH	R205	1.0K
	R206	1.0K
	R207	1.0K
	R208	1.0K
SURROUND LEFT CH	R209	1.0K
	R210	1.0K
	R211	1.0K
	R212	1.0K
FRONT RIGHT CH	R213	1.0K
	R214	1.0K
	R215	1.0K
	R216	1.0K
FRONT CENTER CH	R217	1.0K
	R218	1.0K
	R219	1.0K
	R220	1.0K
FRONT LEFT CH	R221	1.0K
	R222	1.0K
	R223	1.0K
	R224	1.0K



Connector	Pin	Signal
SAP18N / SAP18PX	1	B
	2	C
	3	D
	4	E
	5	F
	6	G
	7	H
	8	NC
SAP18 / SAP18PV	1	B
	2	C
	3	D
	4	E
	5	F
	6	G
	7	H
	8	NC



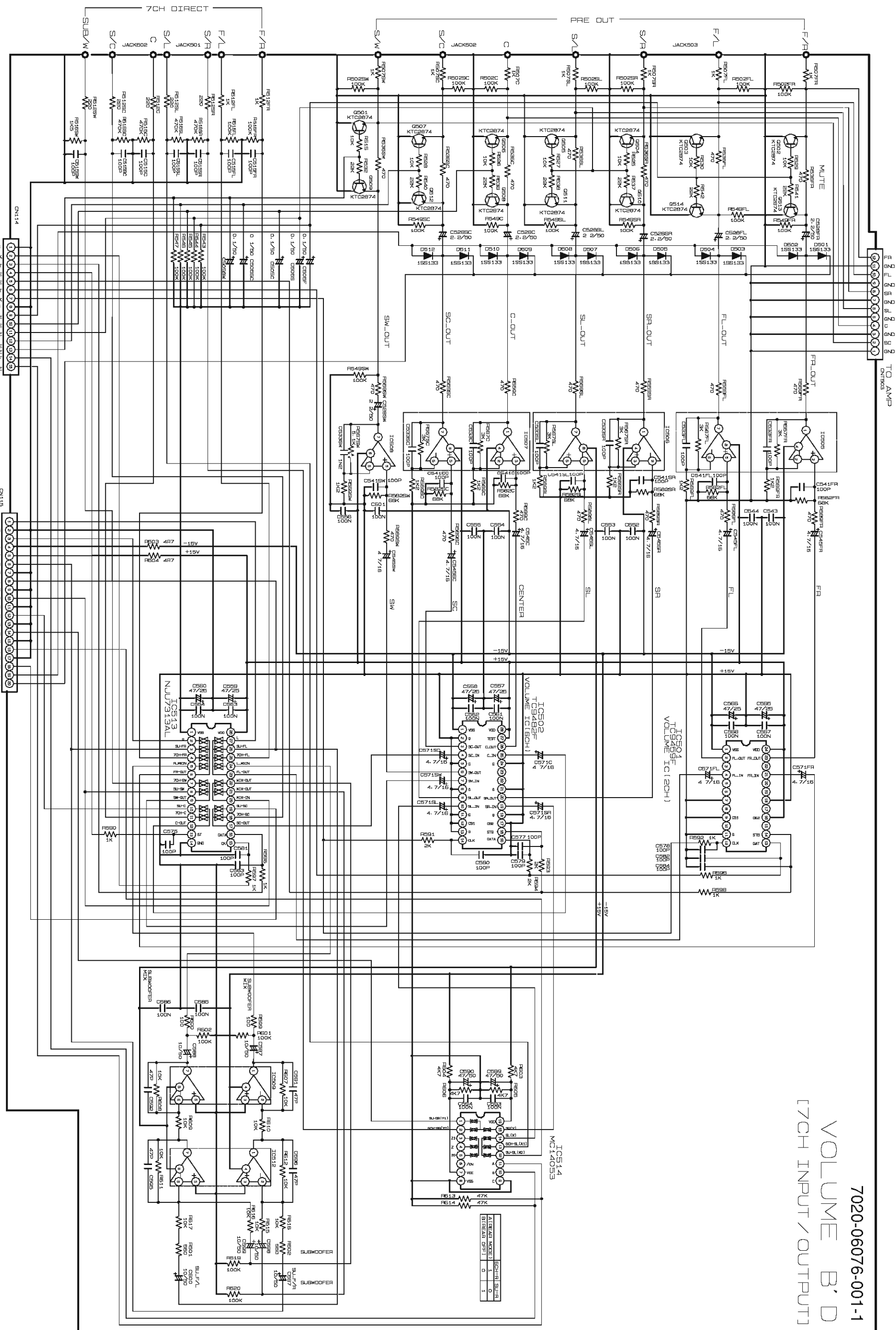


L/N, JK ONLY!

7020-06076-001-1

VOLUME B'D

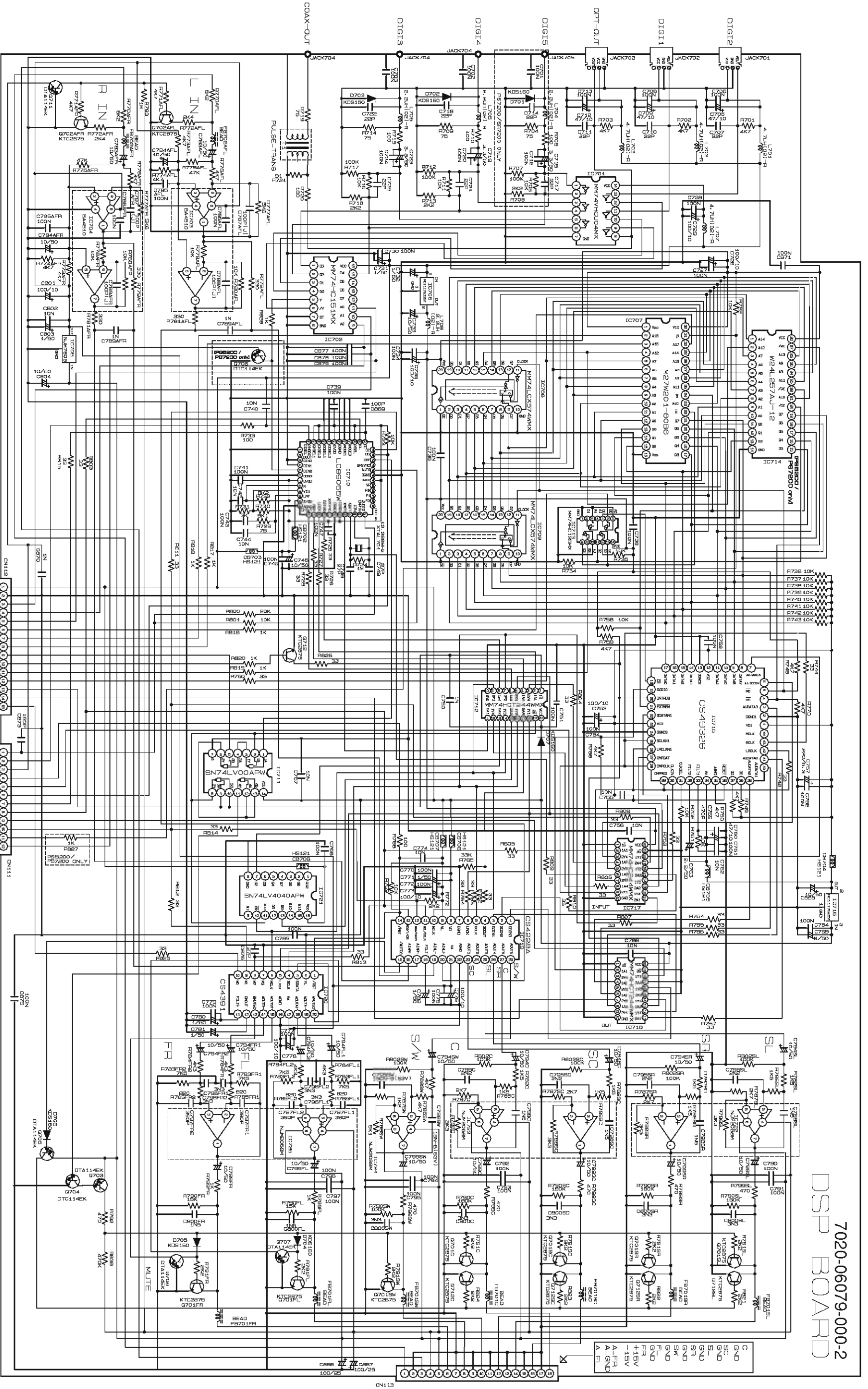
[7CH INPUT / OUTPUT]



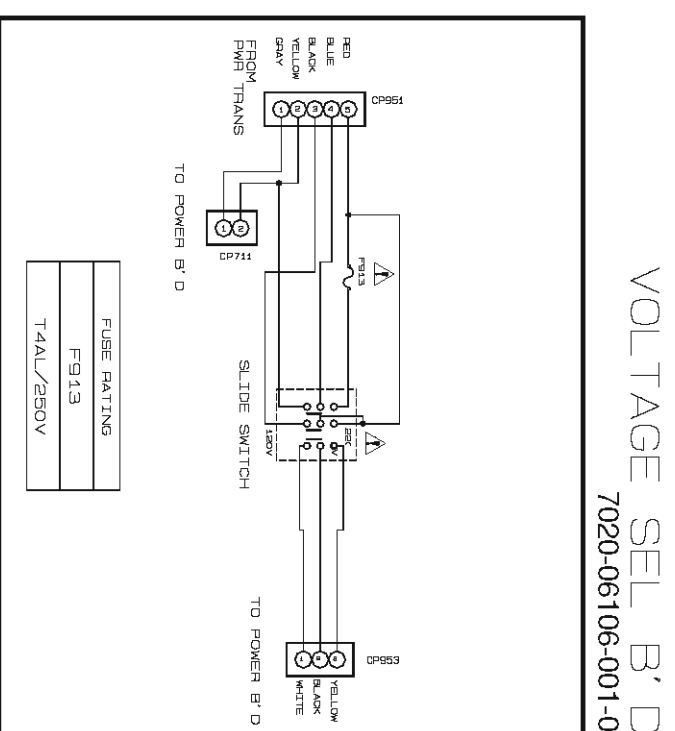
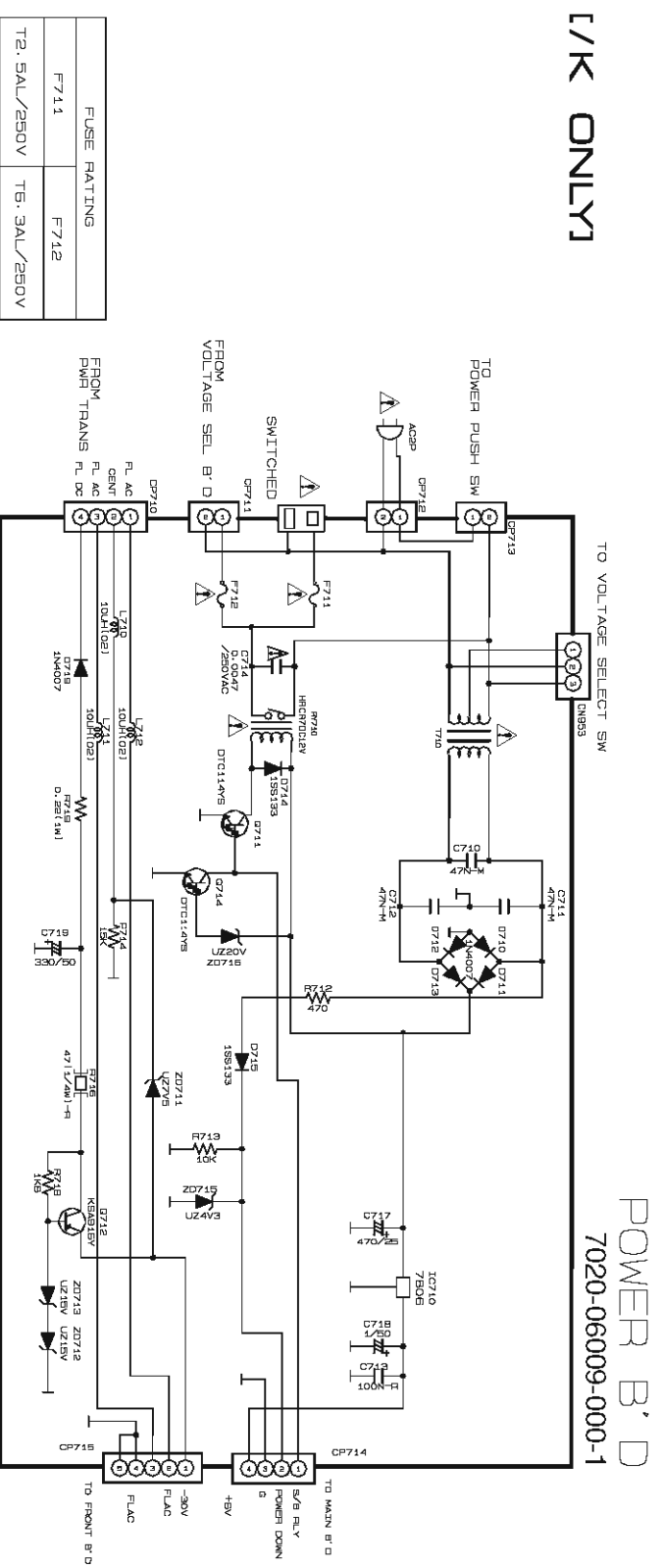
ITEM NO.	QTY	DESCRIPTION
IC501-IC507	7	POTENTIOMETER
IC508-IC504	7	MUTE SWITCH
IC514	1	SUBWOOFER VOLUME CONTROL

DSP BOARD

7020-06079-000-2



[K ONLY]

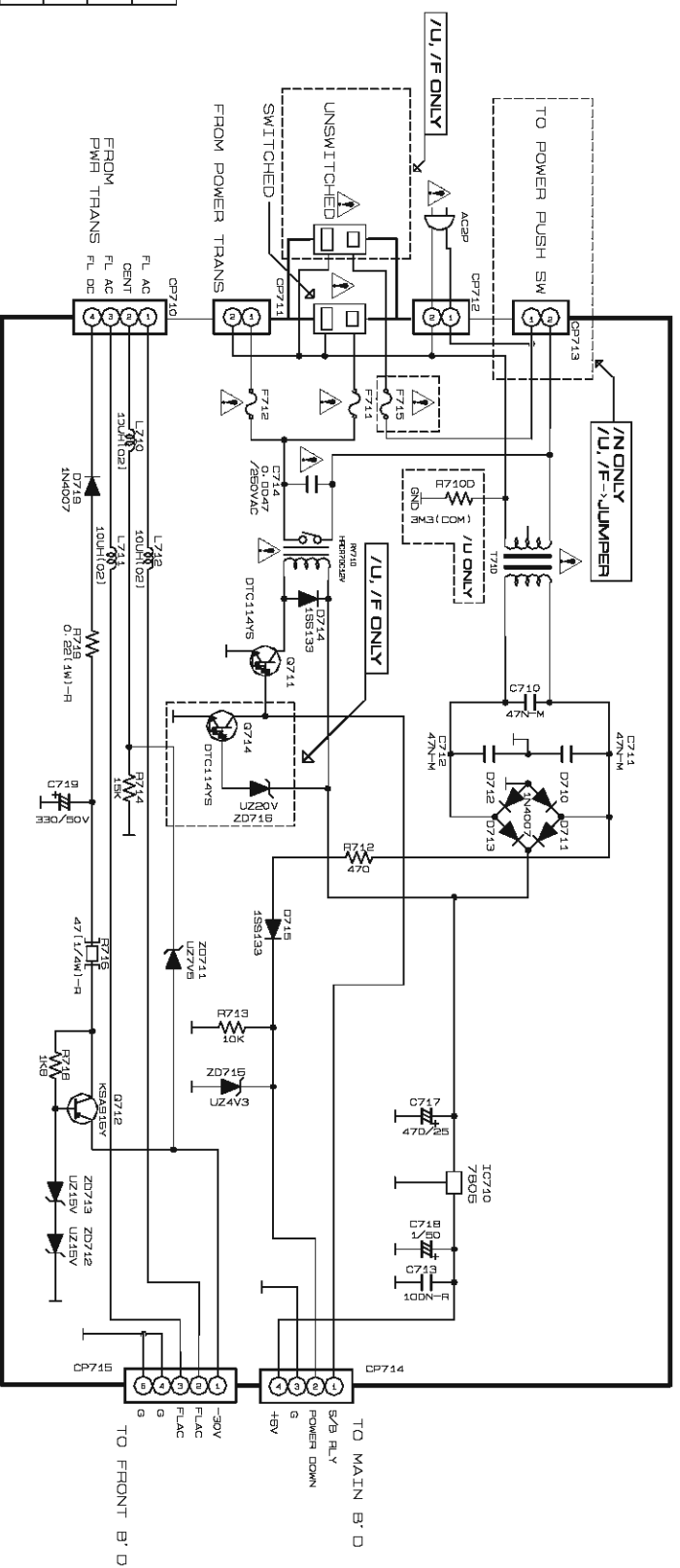


NOTES
1. Resistor values are indicated in ohms unless otherwise specified in parentheses (K=1,000; M=1,000,000).
2. Capacitor values are indicated in microfarads unless otherwise specified. [p=picofarads]
3. **3OE** - These resistors are to be segregated from printed wiring board or other accessible parts.
CAUTION - Precaution to be followed during servicing:
1. Since those parts marked with **1** are critical parts for safety, use only the one described in the parts list.
2. Before returning the set to the customer, make appropriate measurements of resistance measurements and properly insulated from the supply circuit.

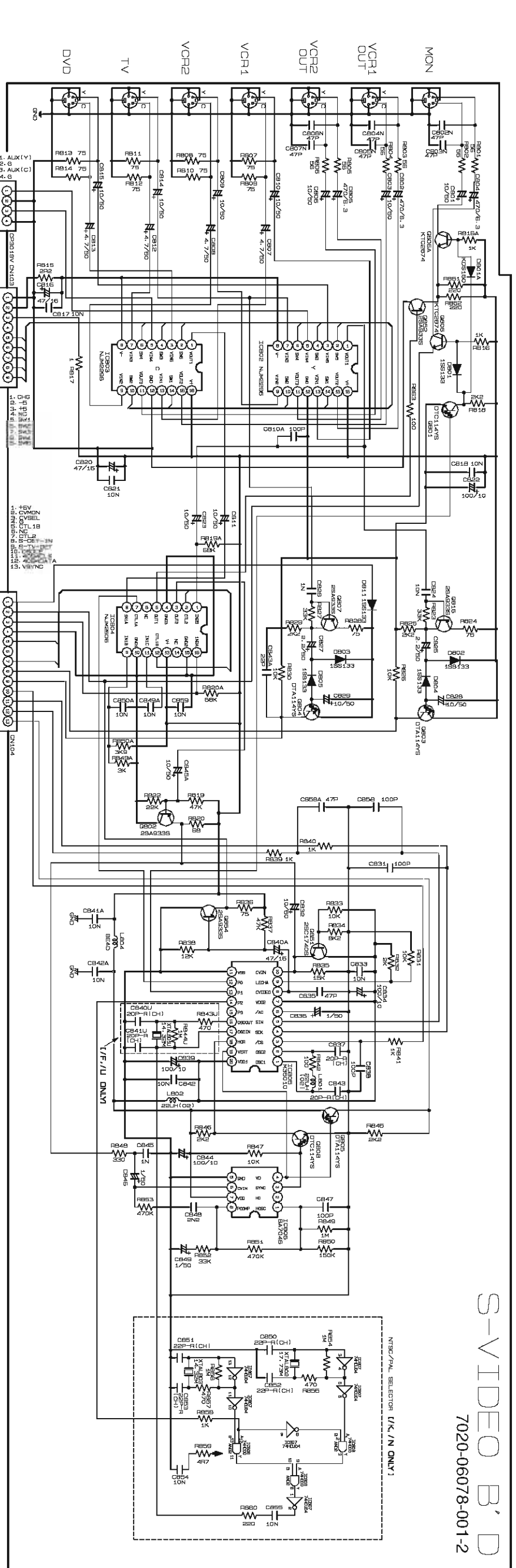
FUSE RATINGS	
F711	F712
T2: 5AL/250V	T6: 3AL/250V

[N, /U, /F ONLY]

EUROPE (N)		U.S.A. (/U)	
		JAPAN (F)	
F711	T2: 5AL/250V	S2: 5A/250V	
F712	T6: 3AL/250V	SBA/250V	
F715		S2: 5A/250V	

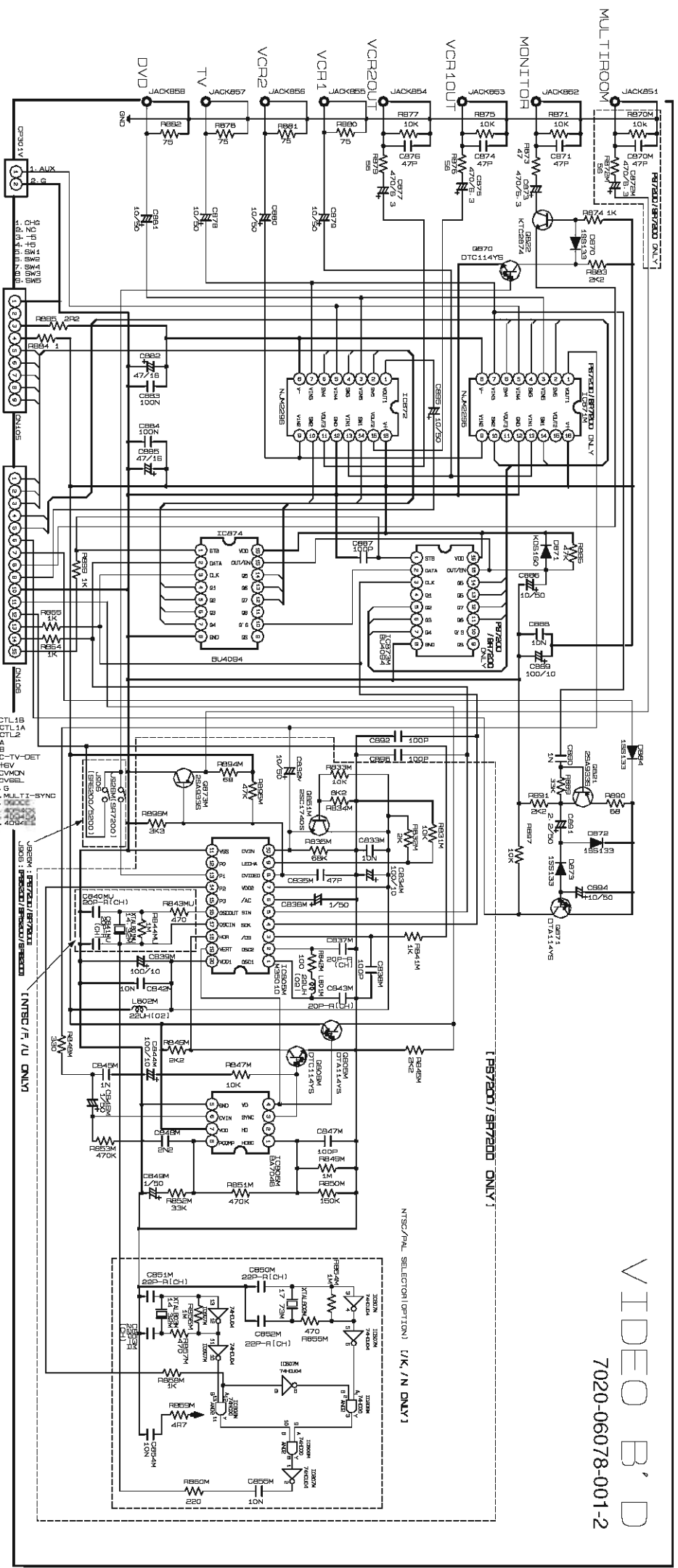


NOTES
1. Resistor values are indicated in ohms unless otherwise specified in parentheses (K=1,000; M=1,000,000).
2. Capacitor values are indicated in microfarads unless otherwise specified. [p=picofarads]
3. **3OE** - These resistors are to be segregated from printed wiring board or other accessible parts.
CAUTION - Precaution to be followed during servicing:
1. Since those parts marked with **1** are critical parts for safety, use only the one described in the parts list.
2. Before returning the set to the customer, make appropriate measurements of resistance measurements and properly insulated from the supply circuit.



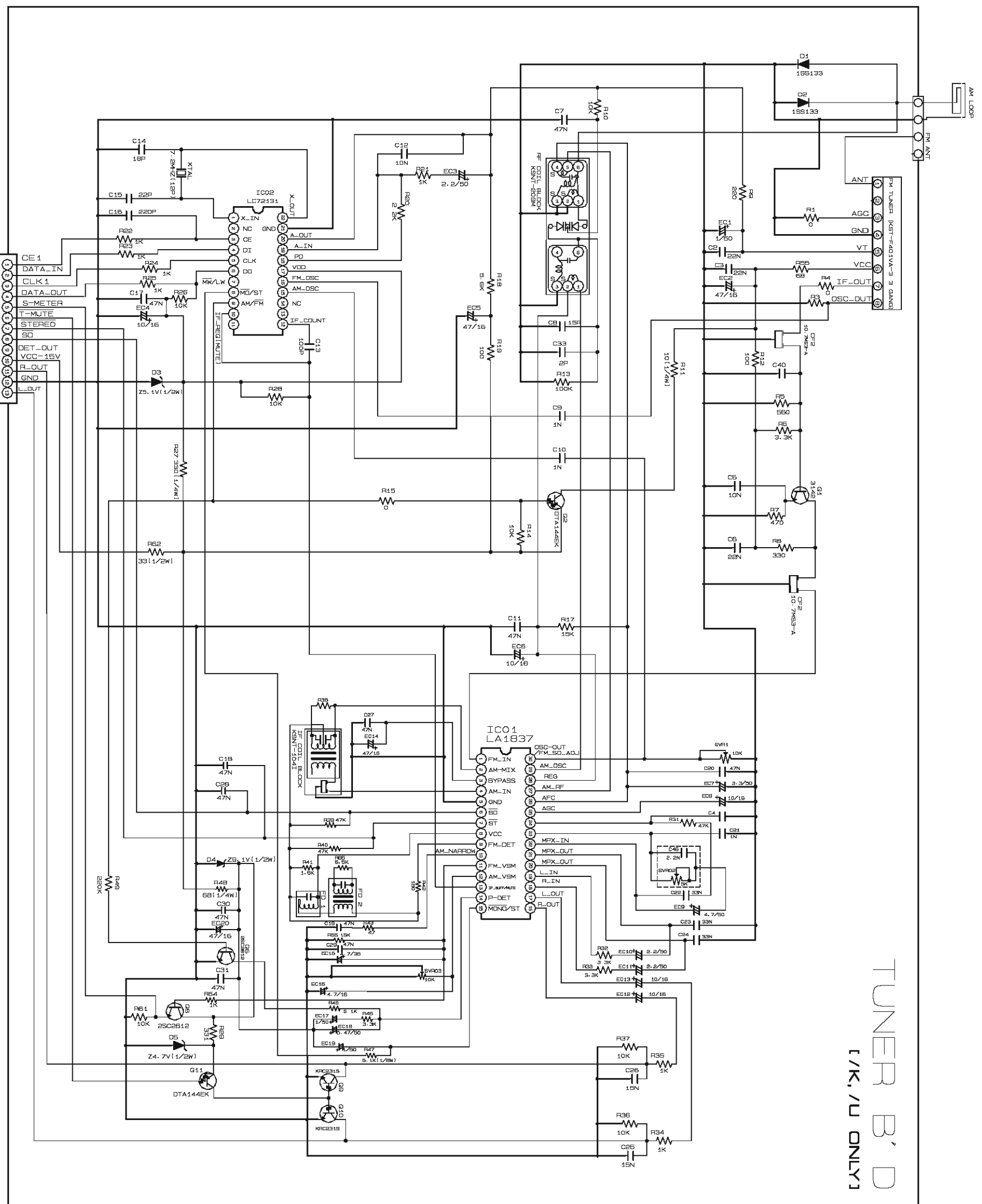
S-VIDEO B'D
7020-06078-001-2

VIDEO B'D
7020-06078-001-2



- NOTES
1. Resistor values are indicated in ohms unless otherwise specified. [K=1,000 M=1,000,000]
 2. Capacitor values are indicated in microfarads unless otherwise specified. [p=picofarads]
 3. **30E** These resistors are to be separated from printed wiring board on other accessible parts.
- CAUTION
- Starting preparation to be followed during servicing
- 1) Since those parts marked with **A** are critical parts for safety, use only the one described in the manual.
 - 2) Before returning the set to the customer, make appropriate measurements as described in the manual from the supply circuit.

To repair the Tuner circuit board, replace the whole Tuner B'D Assy.
 (Refer to the Parts list)

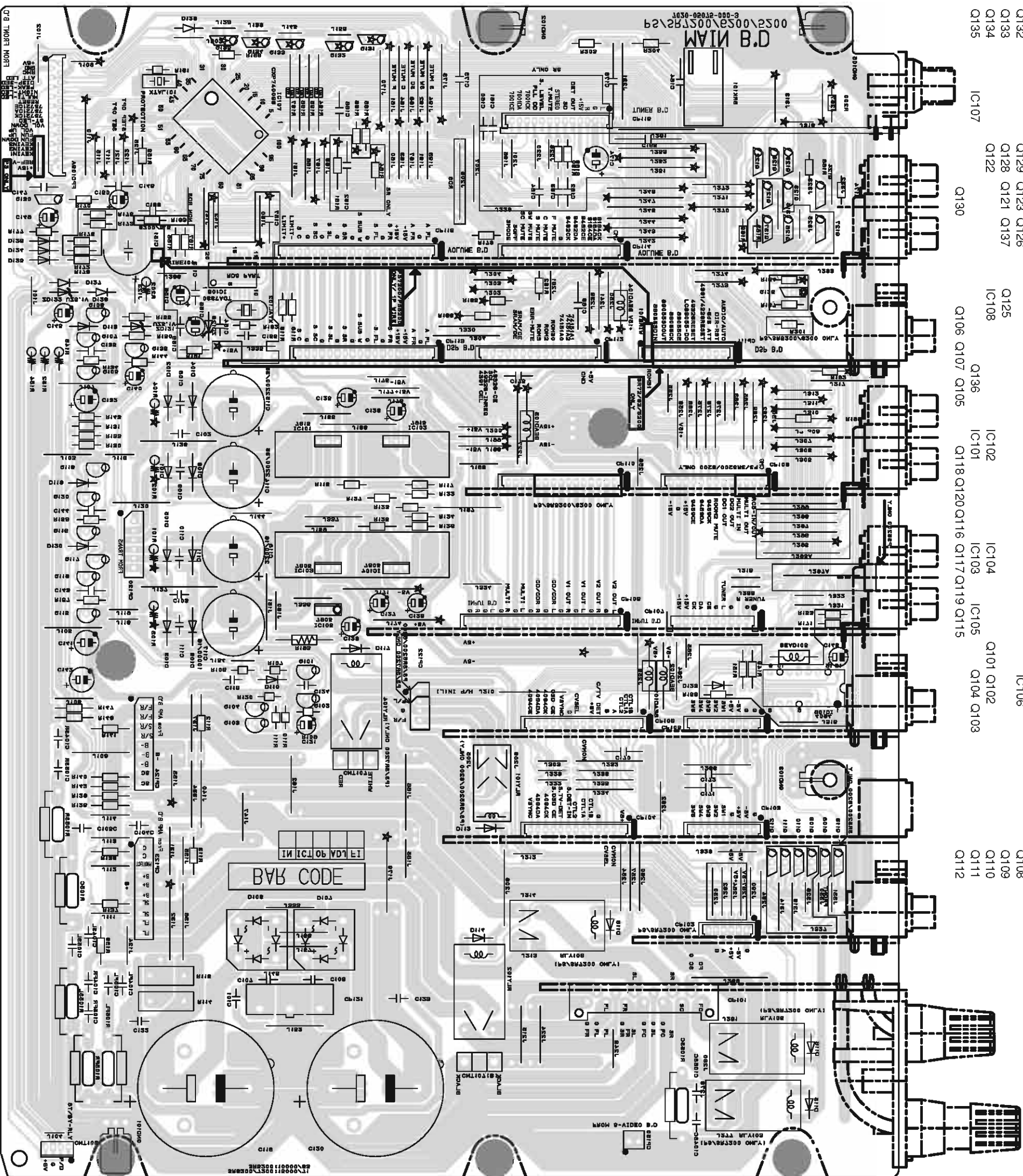


5. PARTS LOCATION

- | | | | | |
|-------|------|-------|-------|------|
| MAIN | Q131 | Q124 | Q127 | Q113 |
| | Q132 | Q129 | Q126 | Q108 |
| | Q133 | Q128 | Q137 | Q109 |
| | Q134 | Q122 | | Q110 |
| | Q135 | | | Q111 |
| | | | | Q112 |
| IC107 | Q130 | IC125 | IC102 | Q101 |
| | | IC108 | IC104 | Q102 |
| | | | IC103 | Q104 |
| | | | IC105 | Q103 |
| | | | IC101 | |
| | | | IC118 | Q119 |
| | | | IC116 | Q115 |
| | | | IC117 | Q119 |
| | | | IC119 | Q115 |

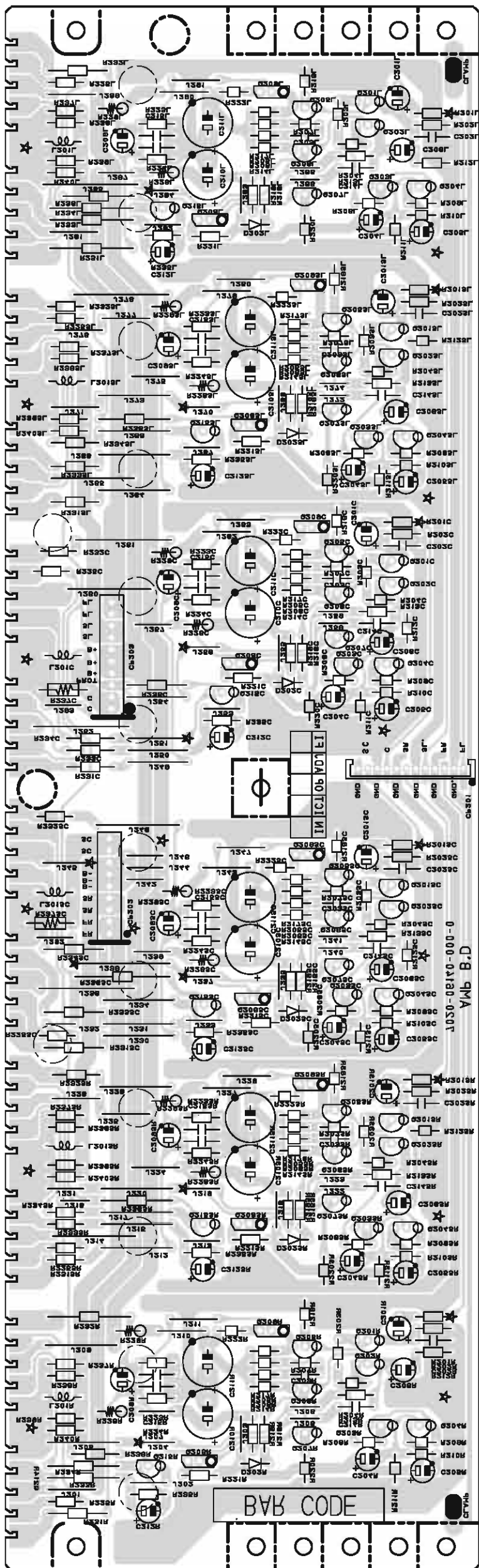
Q131 Q132 Q133 Q134 Q135
 IC107
 IC108
 IC101
 IC102
 IC103
 IC104
 IC105
 IC118
 IC116
 IC117
 IC119

UNIT	Q131	Q132	Q133	Q134	Q135
Q131	Q132	Q133	Q134	Q135	
Q132	Q133	Q134	Q135		
Q133	Q134	Q135			
Q134	Q135				
Q135					

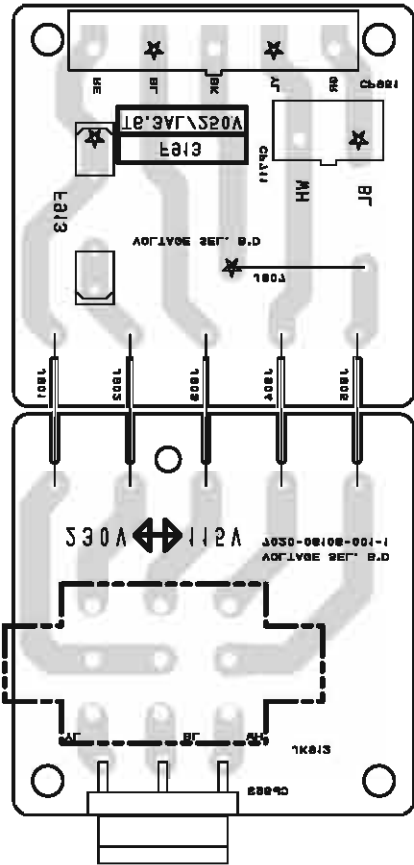


A/M/P

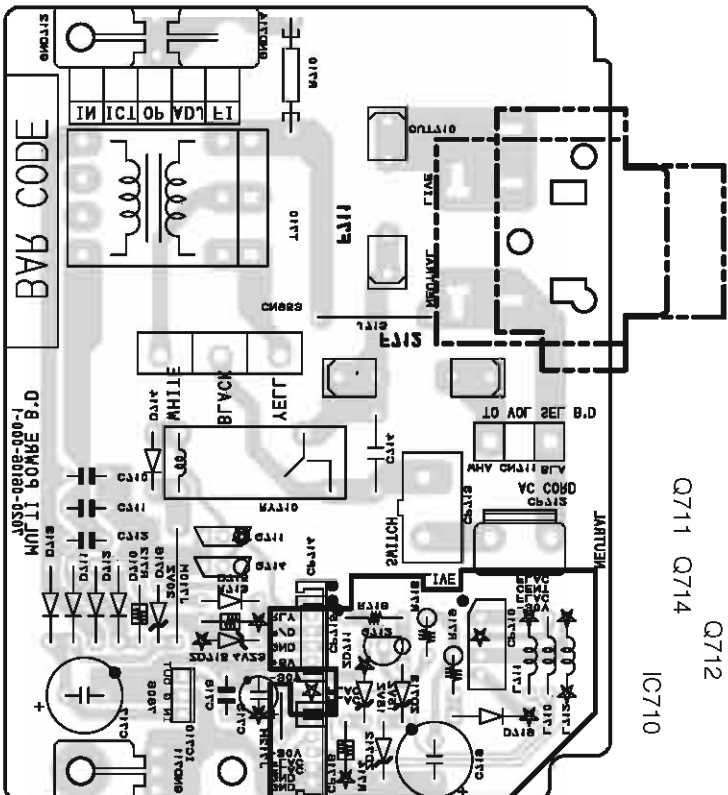
Q201L	Q202L	Q204L	Q201SL	Q202SL	Q204SL	Q201C	Q202C	Q204C	Q201SC	Q202SC	Q204SC	Q201SR	Q202SR	Q204SR
Q205L	Q206L	Q207L	Q205SL	Q206SL	Q207SL	Q205C	Q206C	Q207C	Q205SC	Q206SC	Q207SC	Q205SR	Q206SR	Q207SR
Q209L			Q209SL			Q209C			Q209SC			Q209SR		
			Q208L			Q208C			Q208SC			Q208SR		
			Q215L			Q215C			Q215SC			Q215SR		
														Q208R
														Q215R



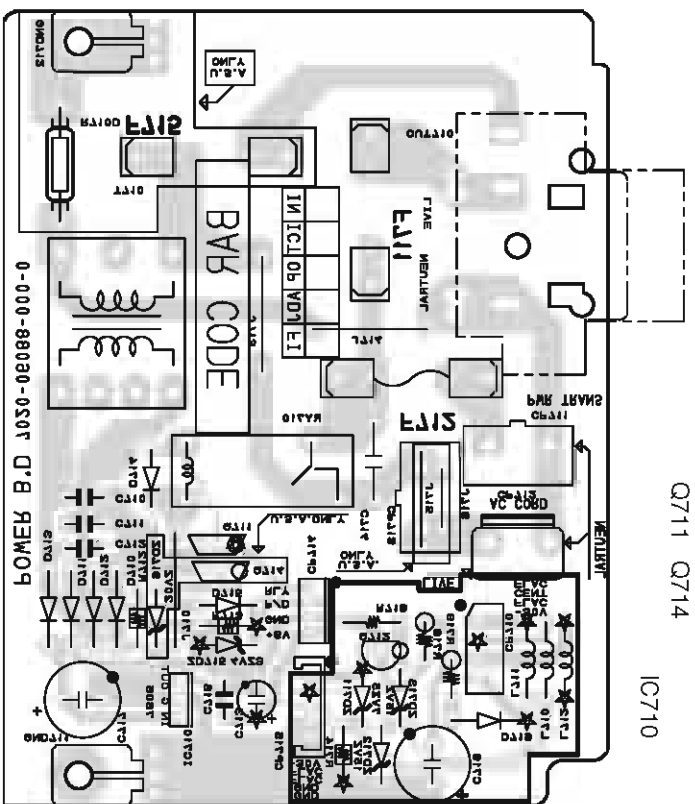
VOLTAGE SEL. [/ K ONLY]



MULTI POWER [/ K ONLY]



POWER [/ N, / U, / F ONLY]



F711	T2.5A/250V
F712	T8A/250V

FUSE LABEL		U.S.A.	
F711	T2.5A/250V	SZ.5A/250V	
F712	T8.3A/250V	S8A/250V	
F715	SZ.5A/250V		

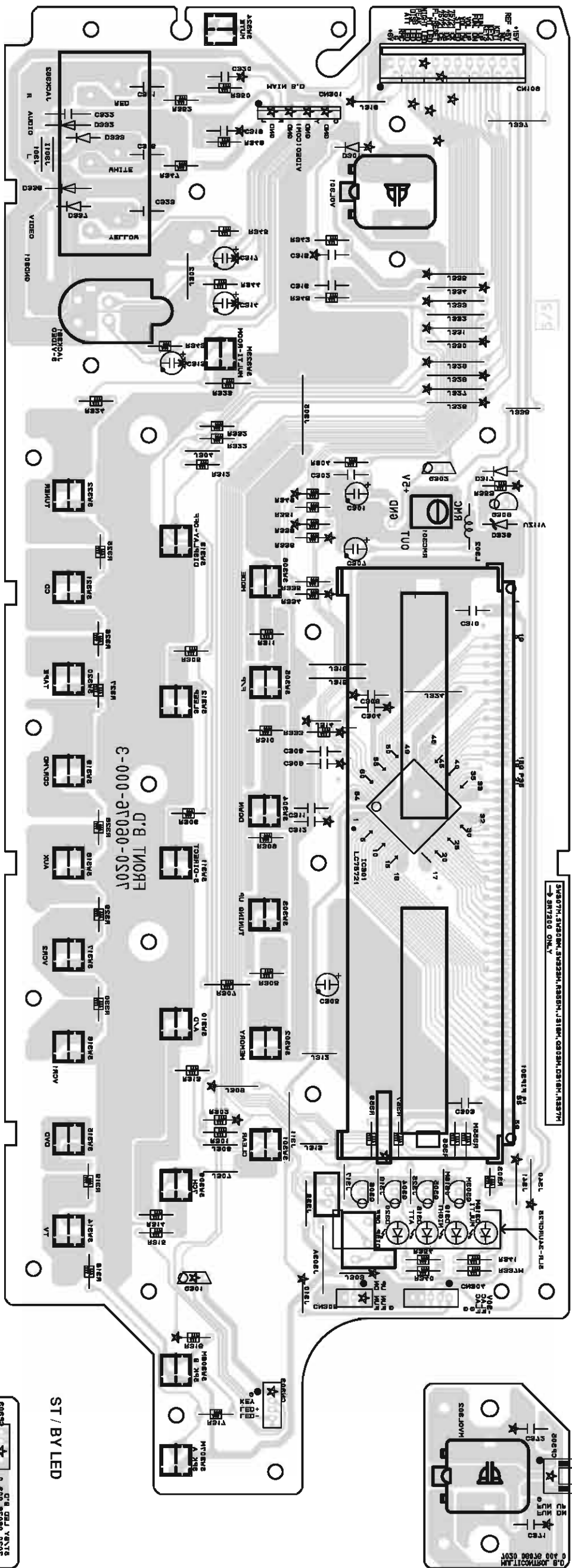
Q309
Q302

IC301

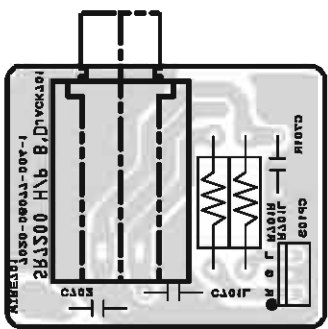
Q303M
Q305
Q304
Q306

Q301

MULTICONTROL

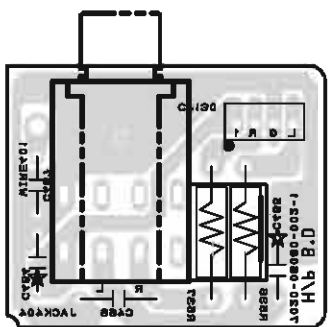


H / P



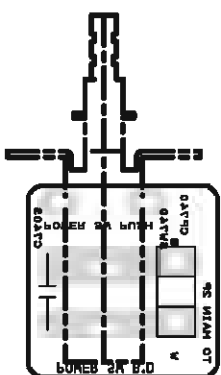
PS7200
SR7200

H / P



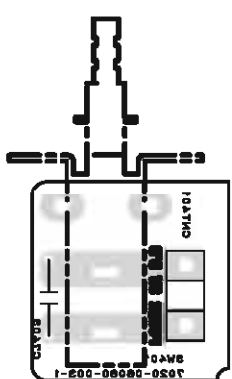
PS5200
SR5200
SR6200

POWER SW



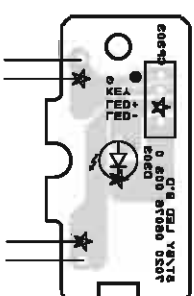
SR7200 / K
SR7200 / N

POWER SW

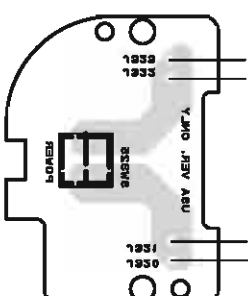


SR5200 / K
SR5200 / N
SR6200 / K
SR6200 / N

ST / BY LED



POWER SW

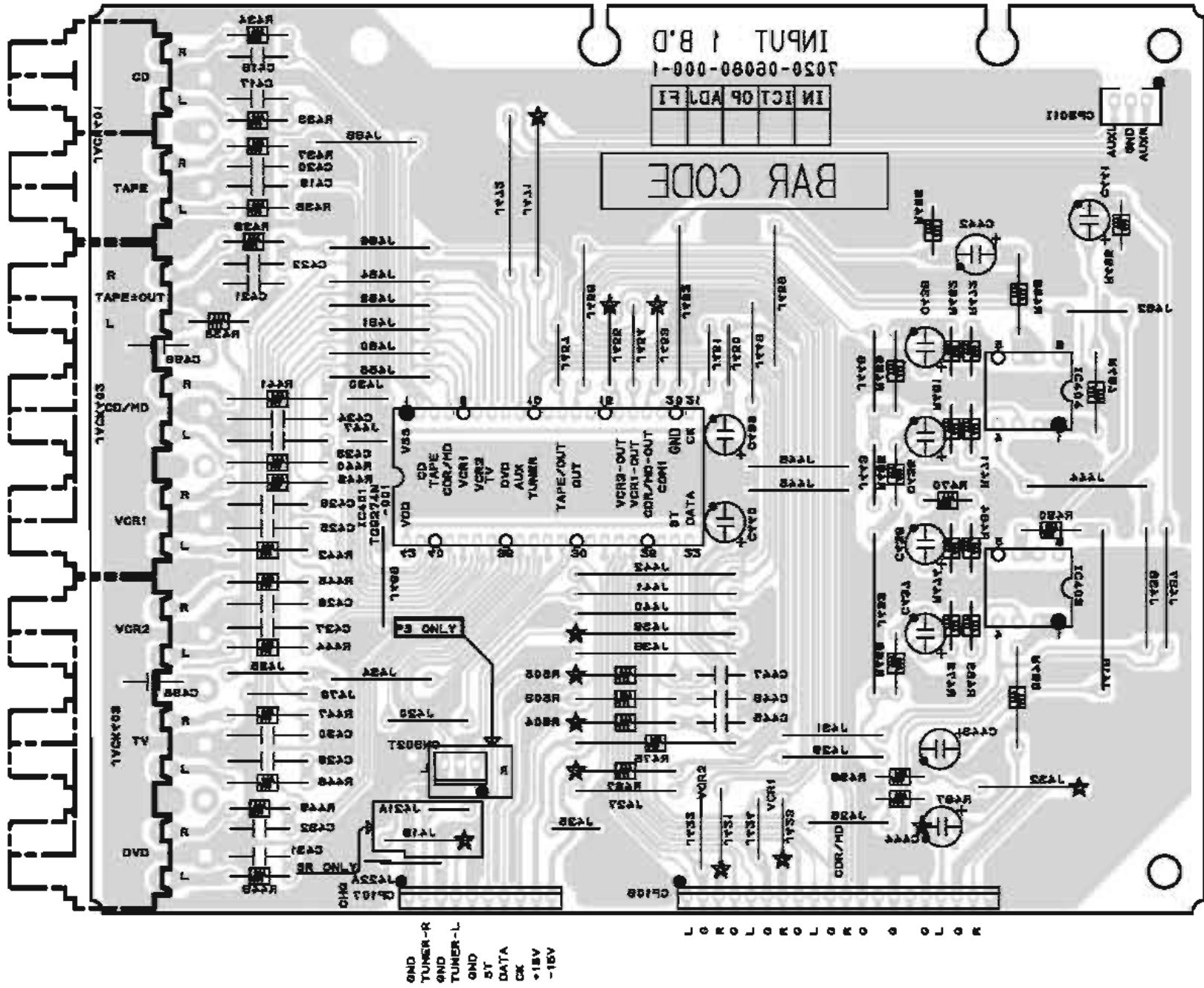


PS5200 / F
PS7200 / F
SR5200 / U
SR6200 / U
SR7200 / U

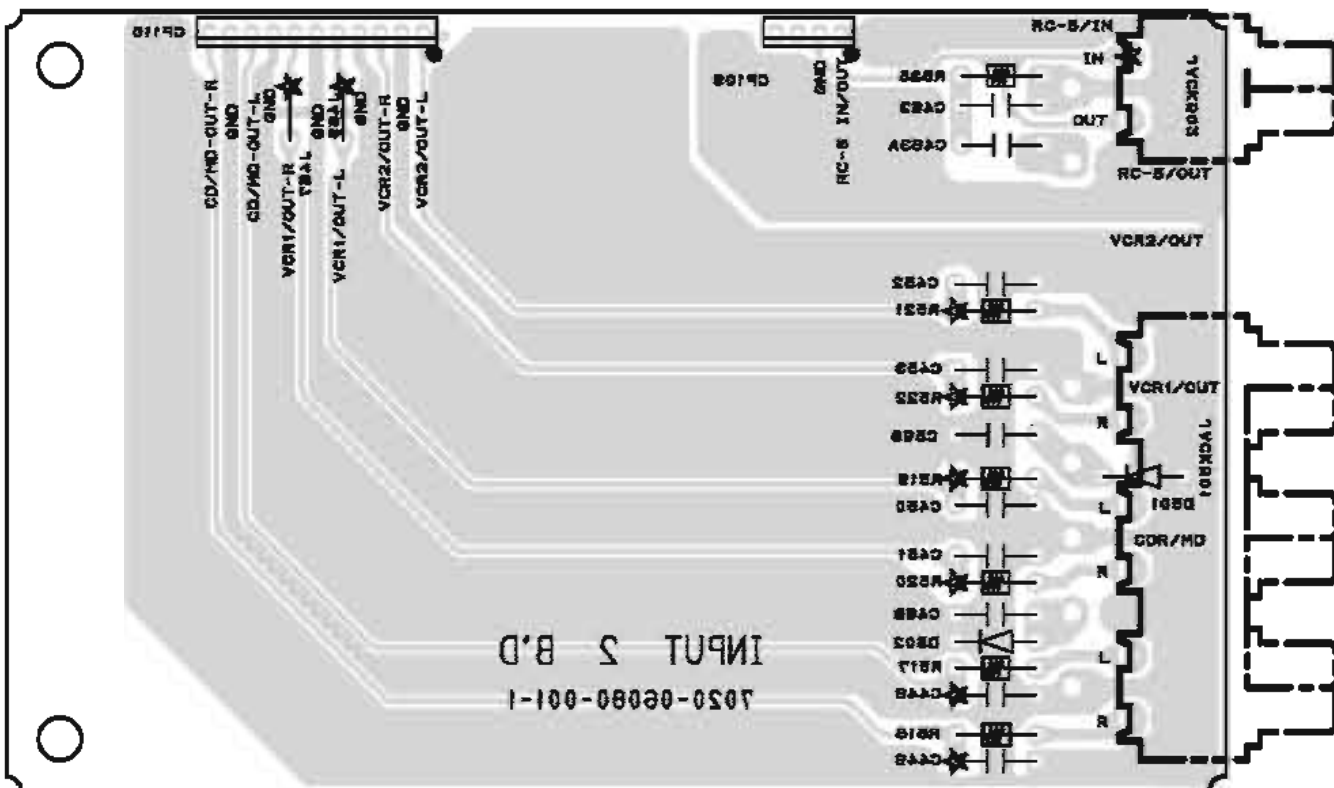
INPUT 1

IC401

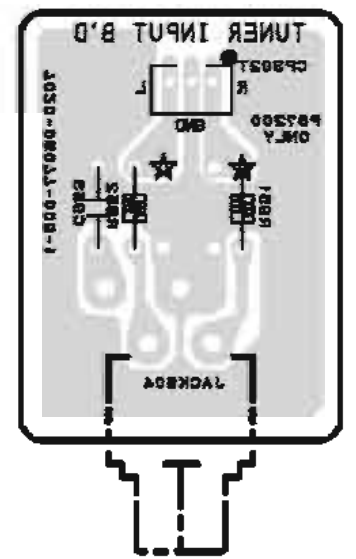
IC404
IC403



INPUT 2



TUNER INPUT



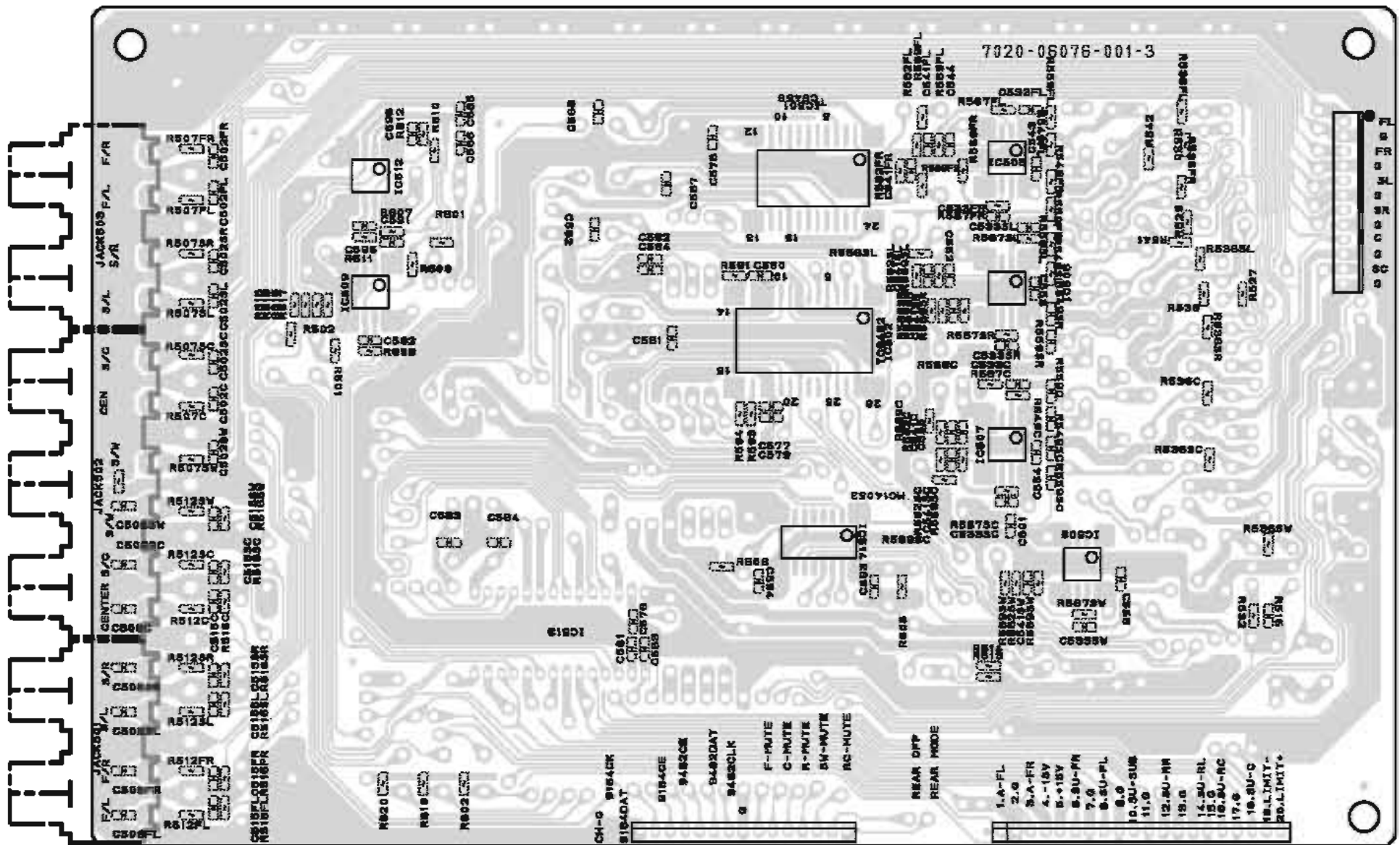
[PS5200 ONLY]

VOLUME
(7CH INPUT / OUTPUT)

IC512
IC509

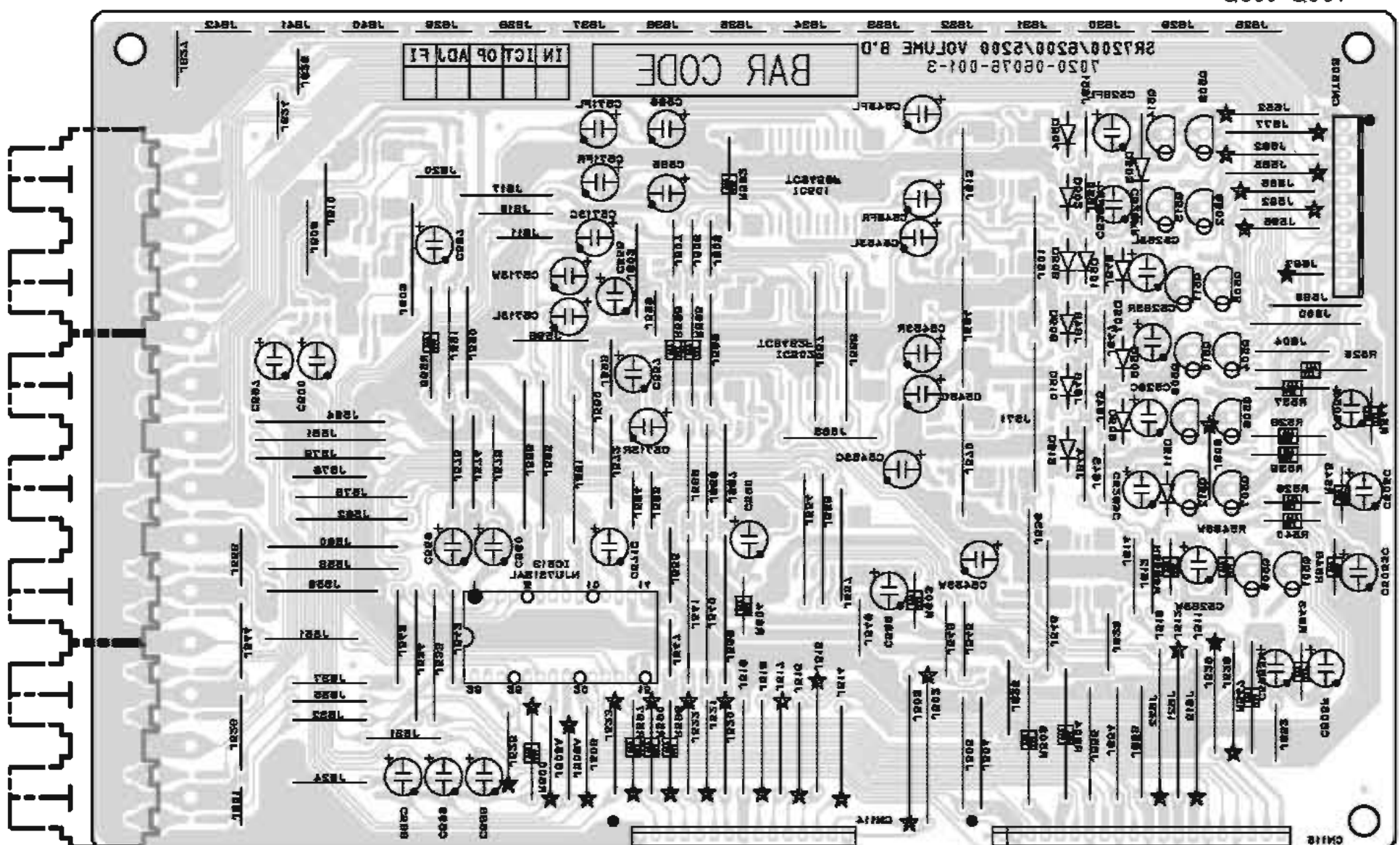
IC501
IC502
IC514

IC505
IC506
IC507
IC508



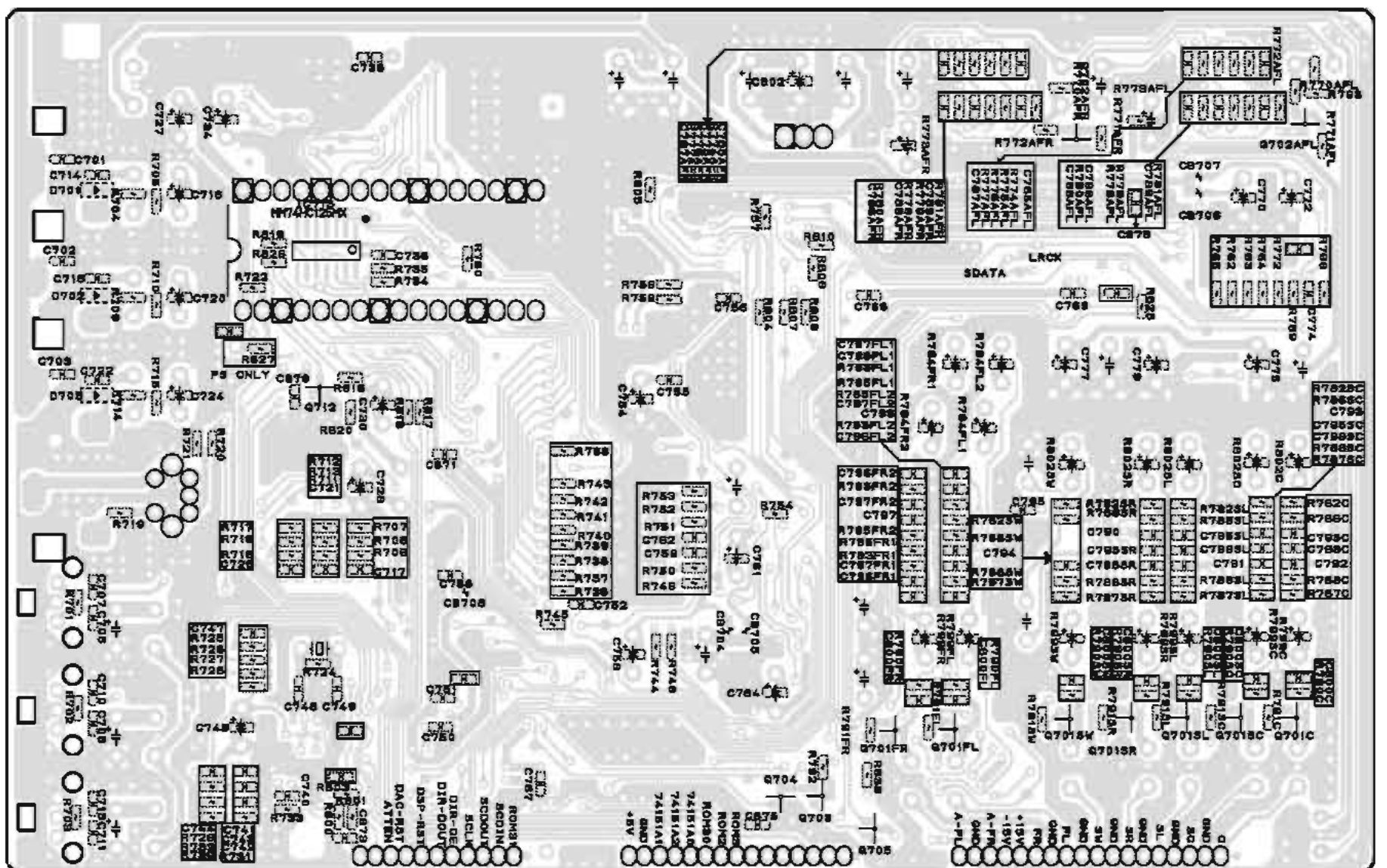
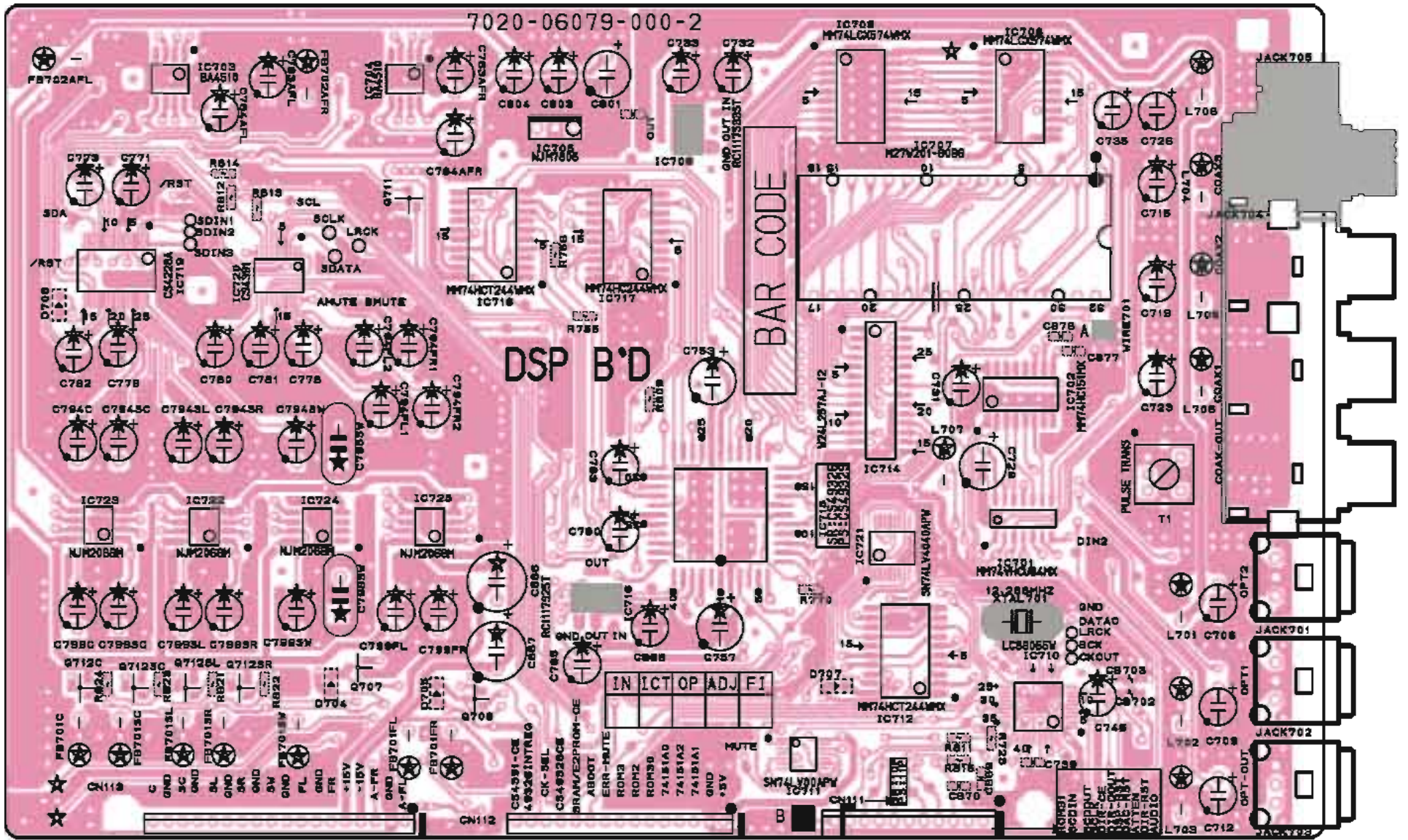
IC513

Q514 Q503
Q513 Q502
Q511 Q505
Q510 Q504
Q508 Q506
Q512 Q507
Q509 Q501



DSP

IC703 IC704 Q712 IC709 IC708
 IC719 IC720 Q711 IC718 IC717 IC707
 IC723 IC722 IC724 IC725 IC715 IC721 IC702
 Q712C Q712SC Q712SL Q712SR Q707 Q708 IC711 IC712 IC710

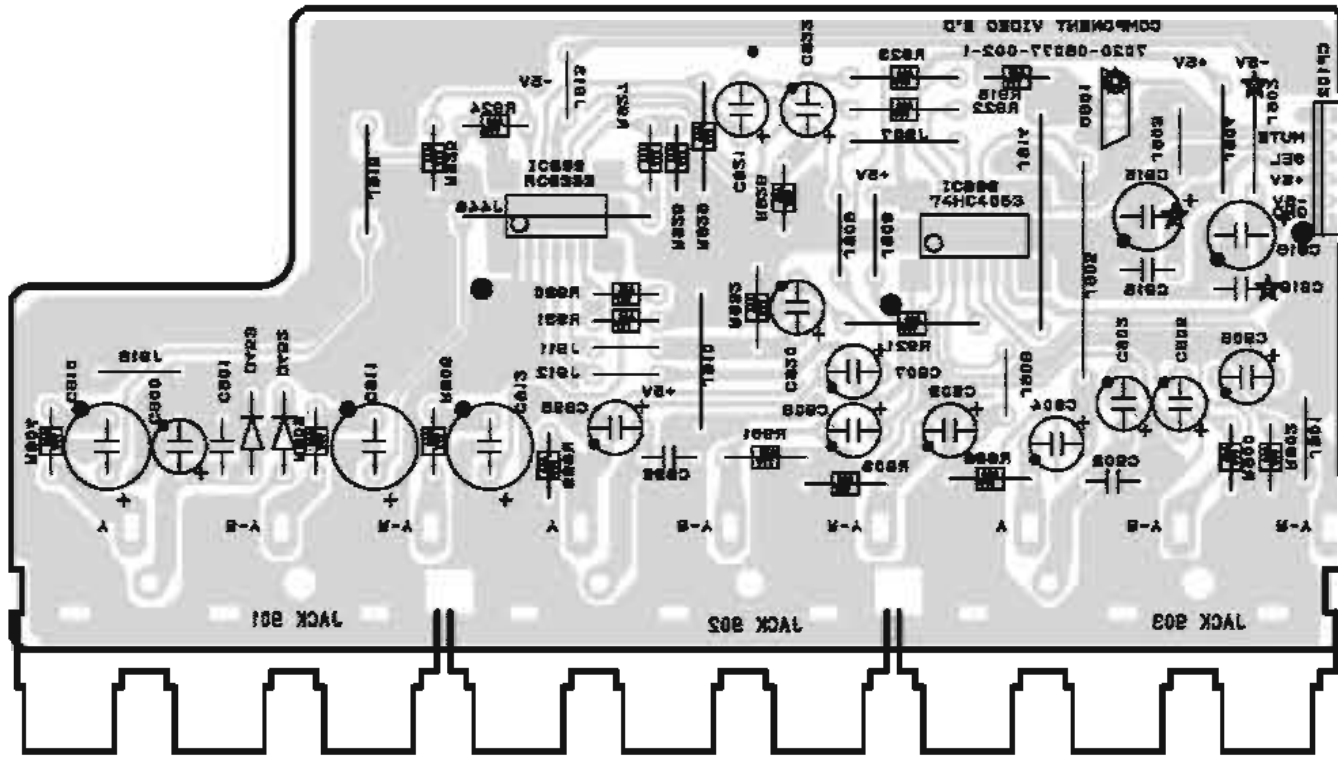


COMPONENT VIDEO [PS7200 / SR7200 ONLY]

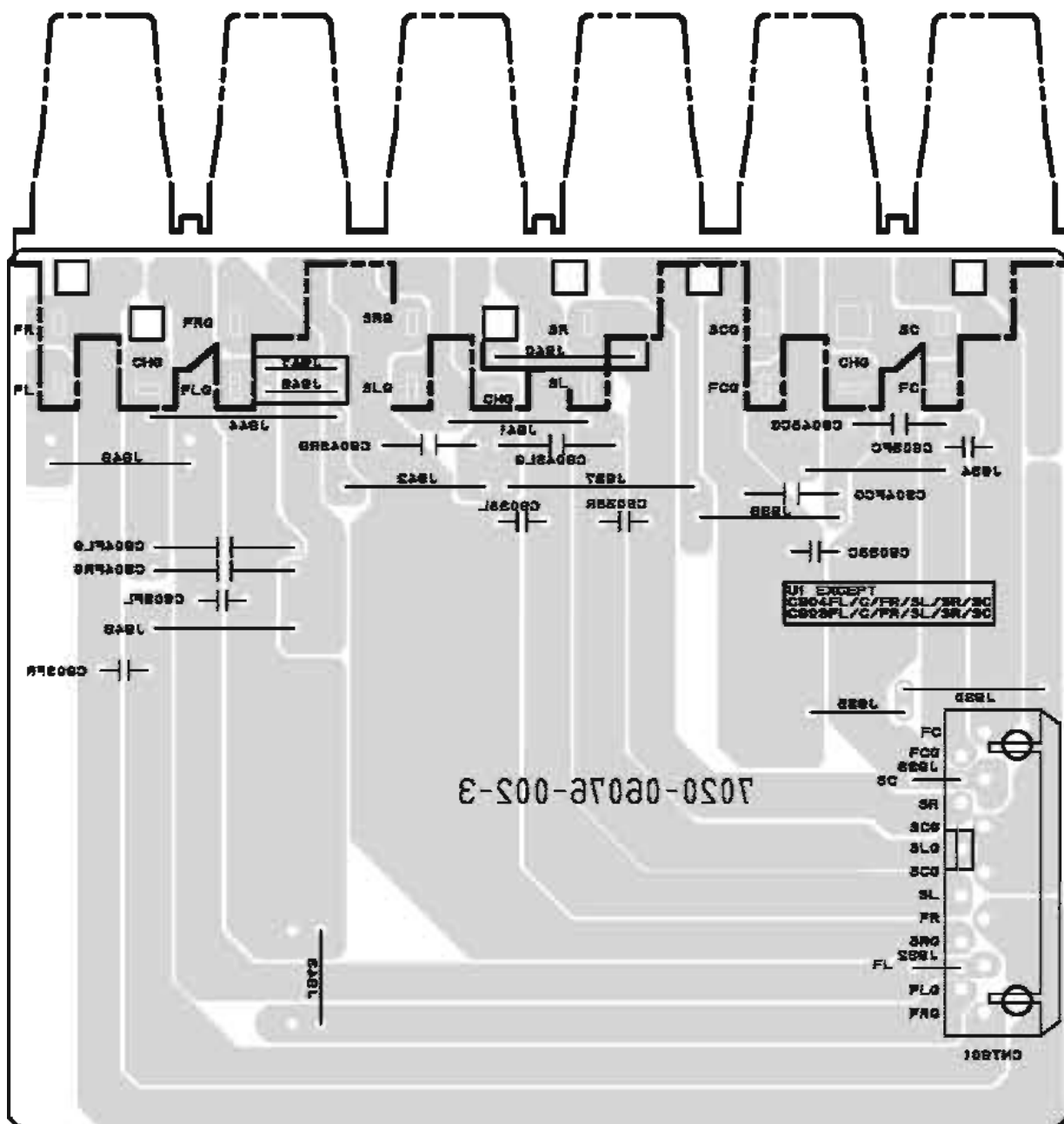
Q901

IC899

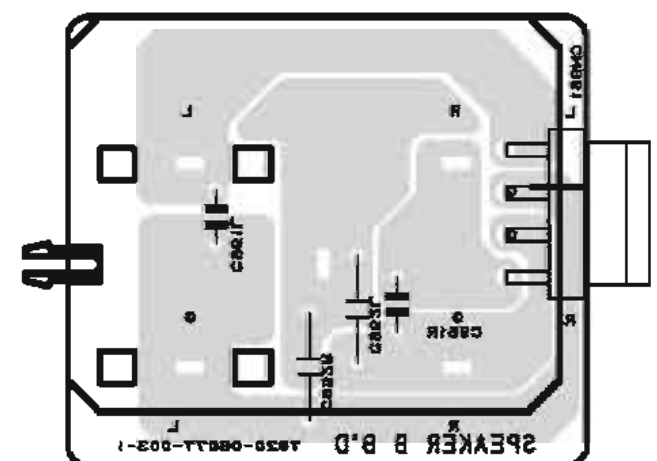
IC898



SPEAKER A

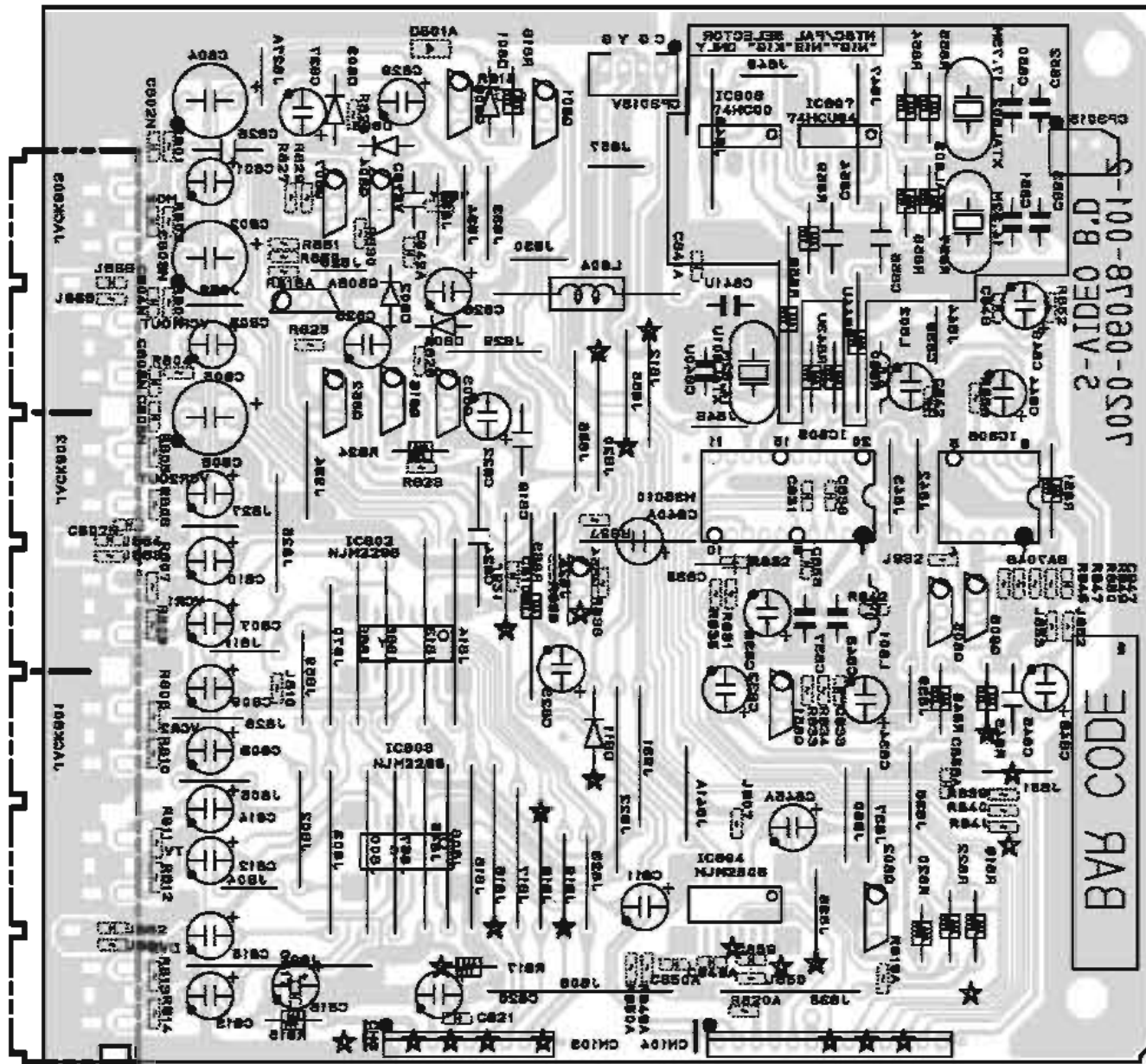


SPEAKER B
[PS7200 / SR7200 ONLY]



S VIDEO

Q806 Q801 IC808 IC807
 Q807 Q804
 Q806A IC805 IC806
 Q852 Q816 Q803
 IC802 Q854 Q851 Q805 Q808
 IC803 IC804 Q802



VS1N0
 4094A
 4094CK
 050CE
 9-TV-DET
 5-DET-IN
 CTLX
 0TL1A
 0
 C08E1-
 C0M0N
 18V

SMS
 3K3
 3K4
 3K2
 3K1
 0
 +5
 -5

VIDEO

Q873M

Q822 Q870

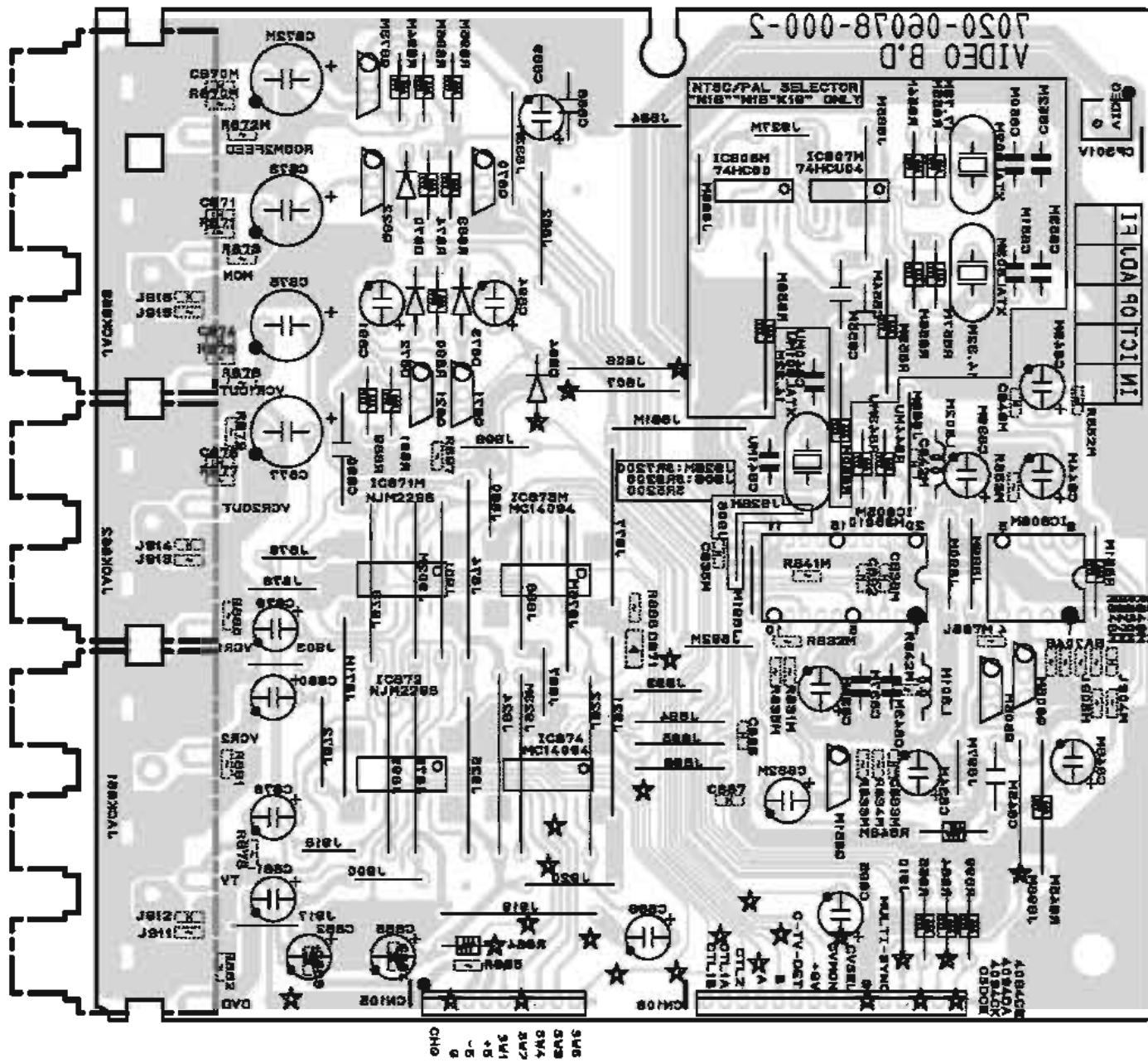
Q821 Q871

IC805M

IC806M

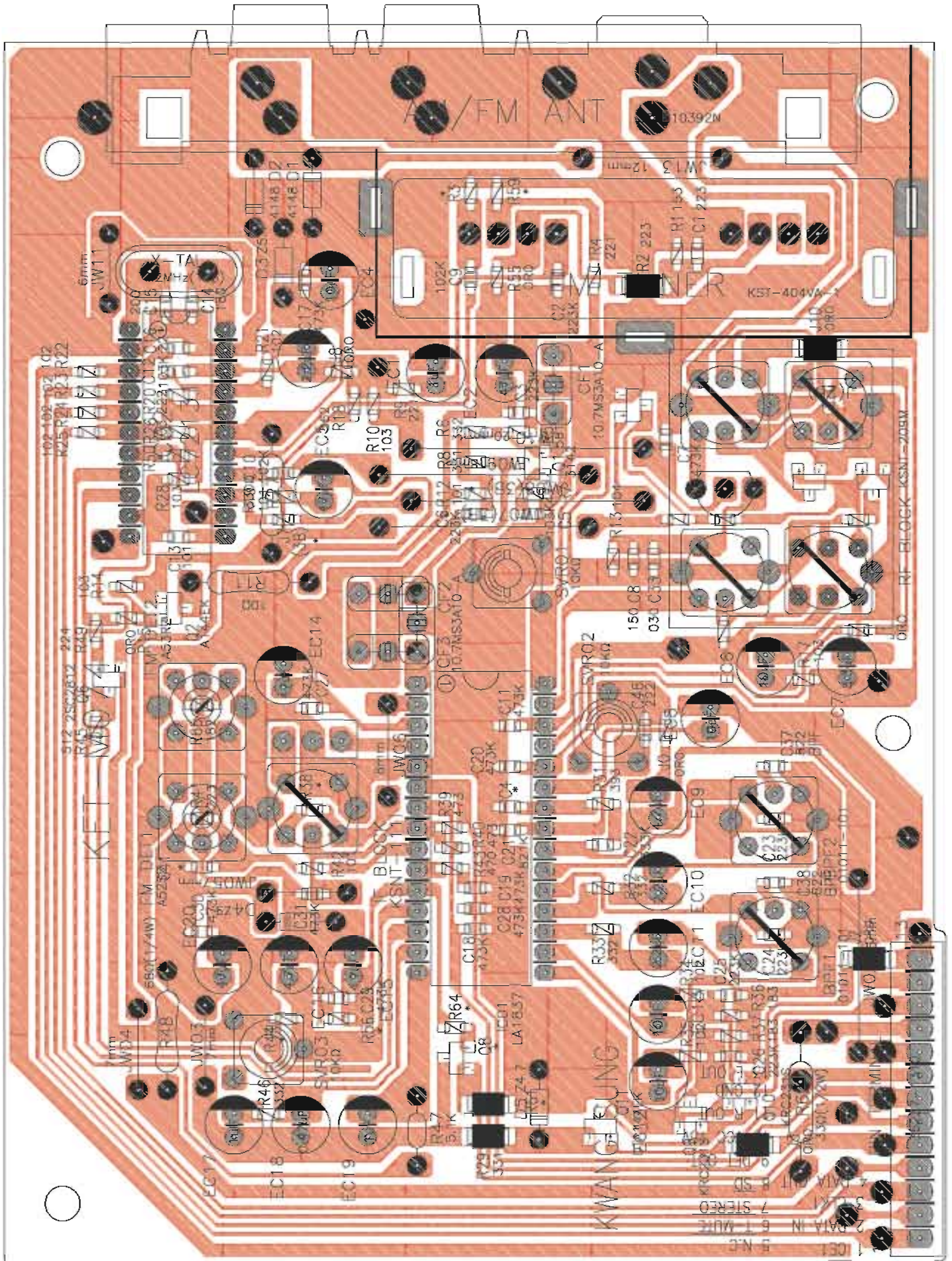
Q805M Q806M

Q851M



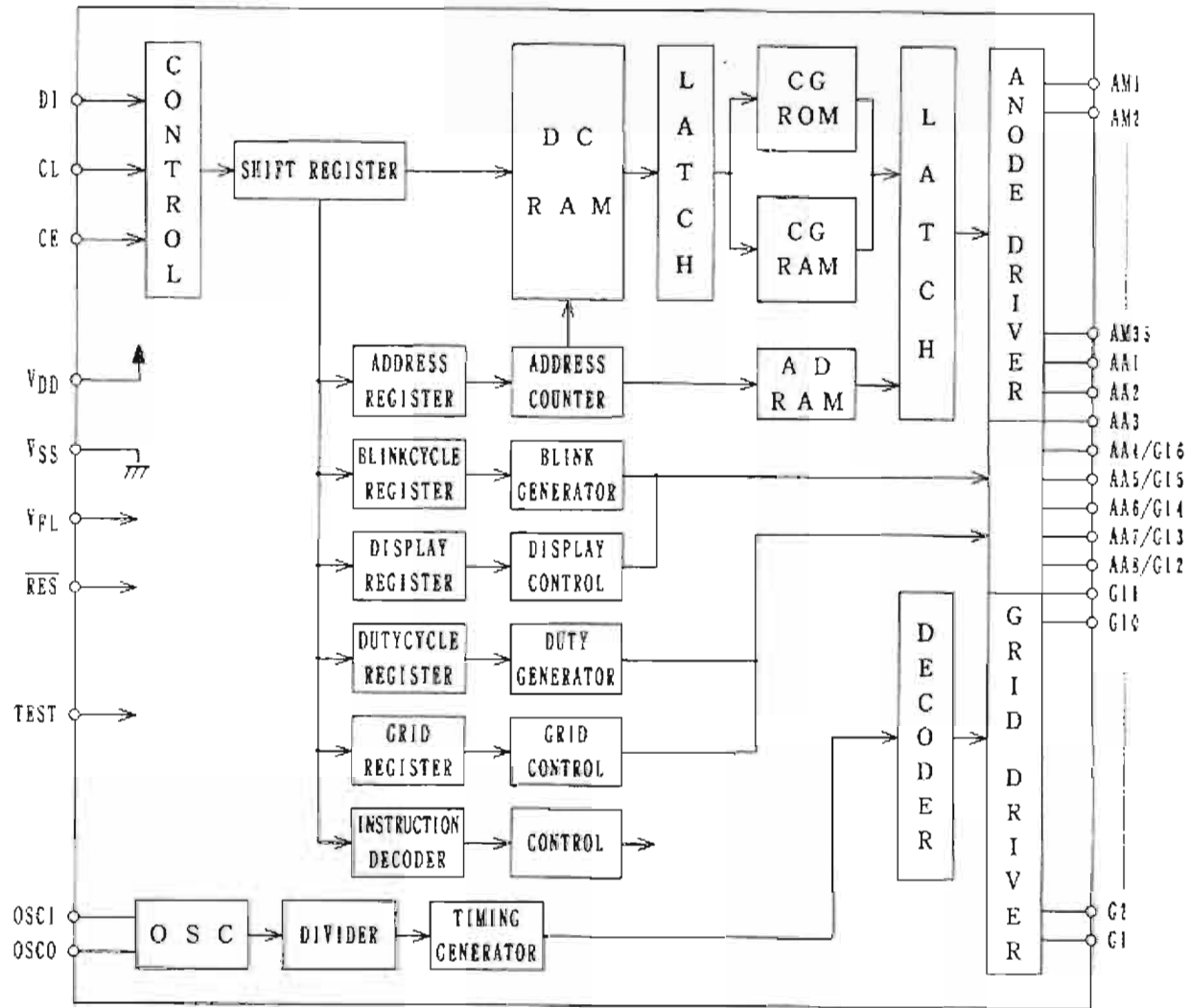
TUNER [K,U ONLY]

To repair the Tuner circuit board, replace the whole Tuner B'D Assy.
(Refer to the Parts list)

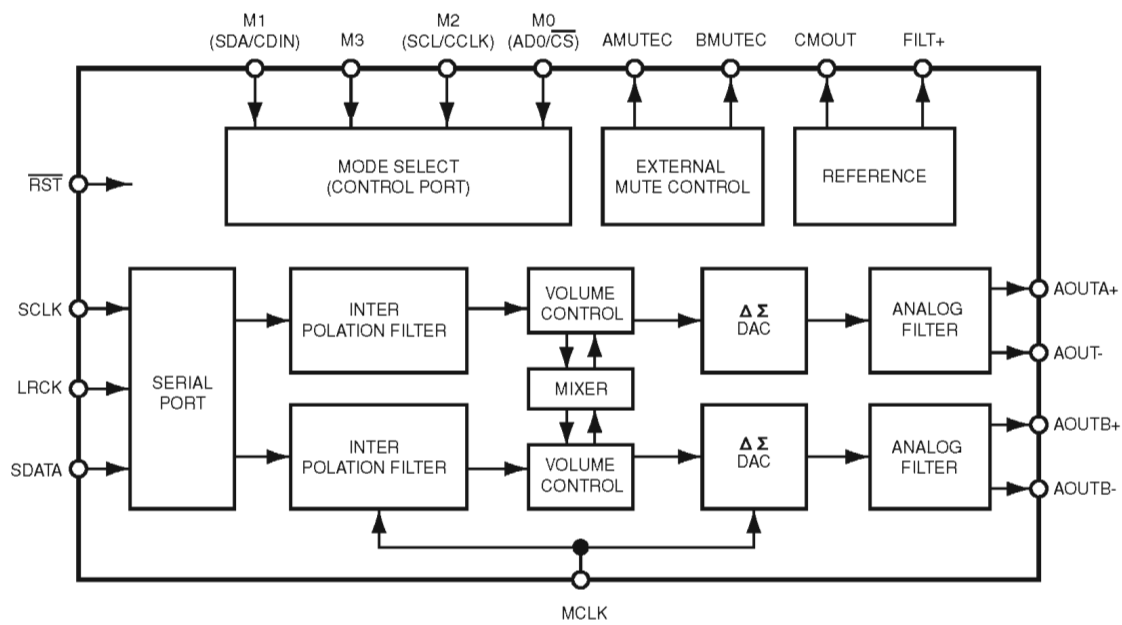


6. IC DATA

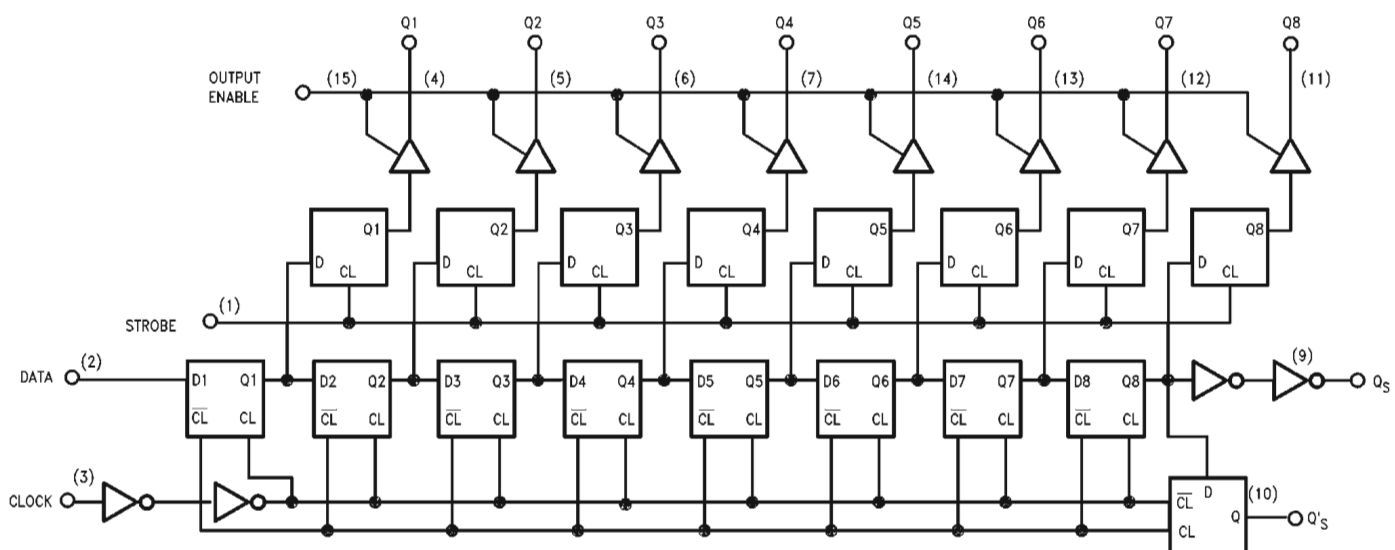
IC301 LC75721E

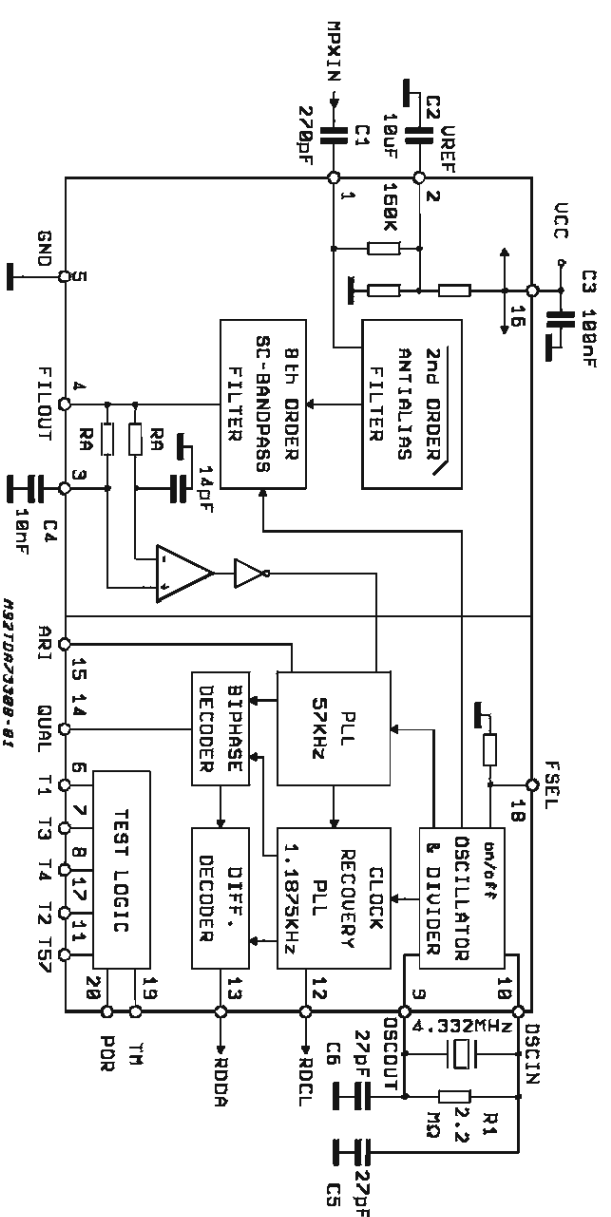
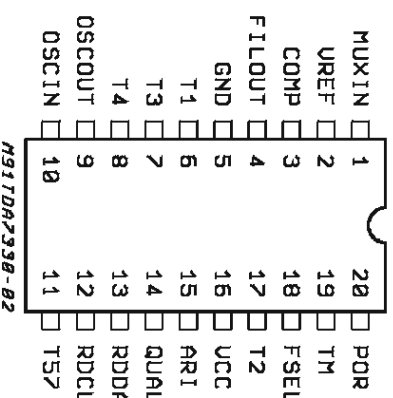


IC720 CS4391



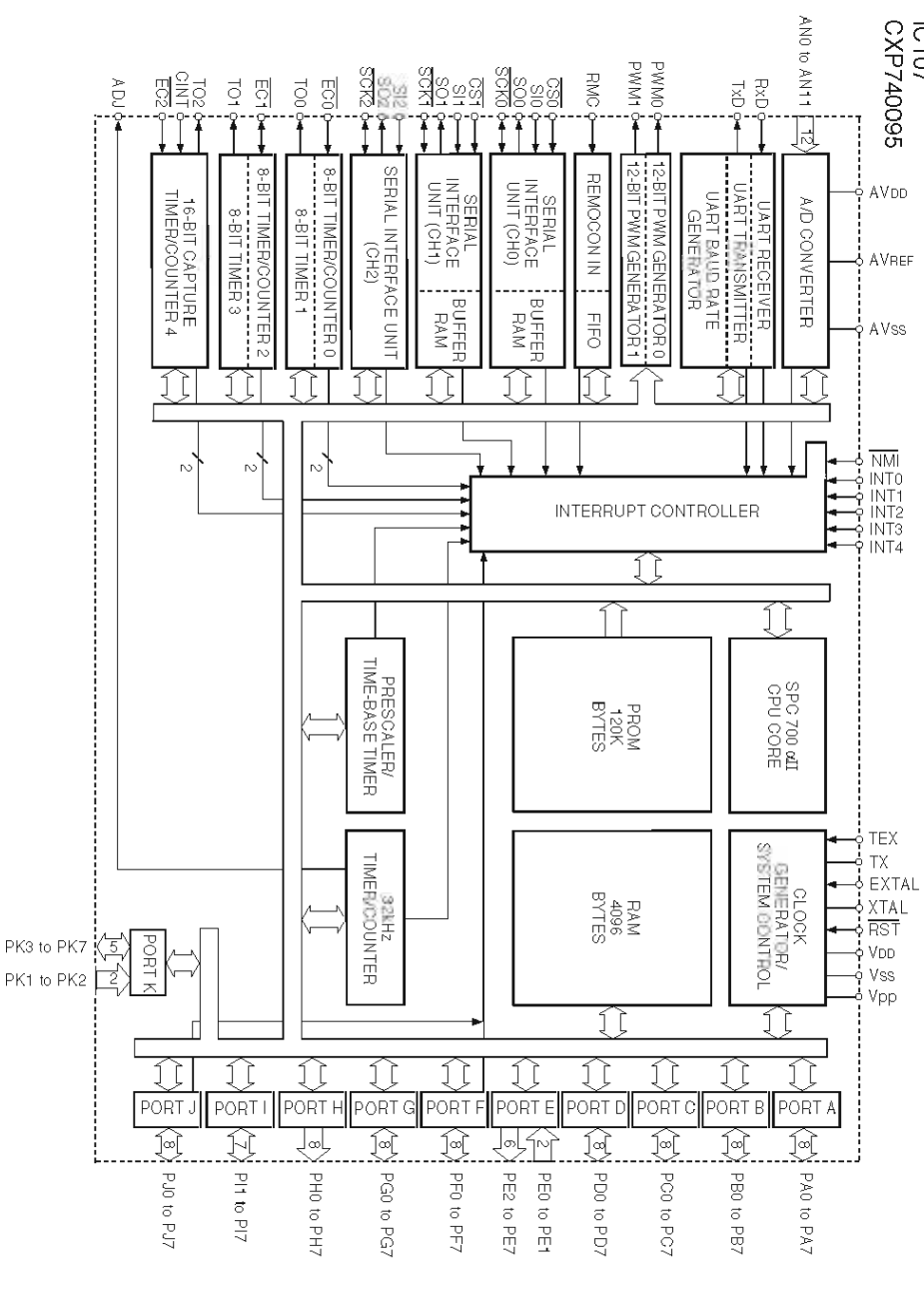
IC106 CD4094BC



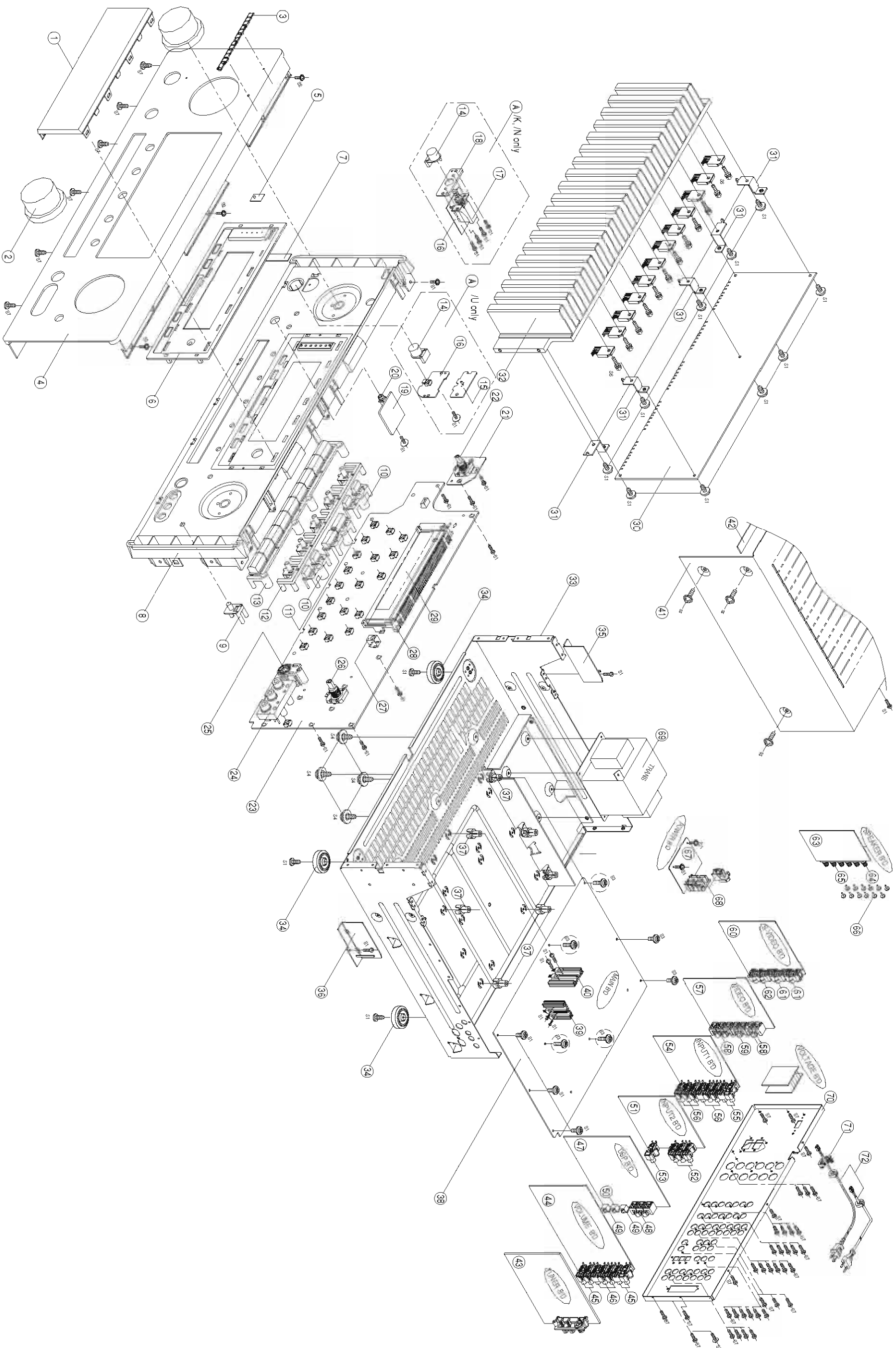


PIN FUNCTION

Nr.	Name	Description
1	MUXIN	RDS input signal.
2	Vref	Reference voltage
3	COMP	Not inverting comparator input (smoothing filter)
4	FILOUT	Filter Output
5	GND	Ground
6	T1	Testing output pin (not to be used)
7	T3	Testing output pin (not to be used)
8	T4	Testing output pin (not to be used)
9	OSC OUT	Oscillator output
10	OSC IN	Oscillator input
11	T57	Testing output pin: 57KHz clock output
12	RDCL	RDS clock output (1187.5Hz)
13	RDDA	RDS data output
14	QUAL	Output for signal quality indication (High = good)
15	ARI	Output for ARI indication (High when RDS + ARI signals are present) (High when only ARI is present) (Low when only RDS is present) (Undefined when no signal is present)
16	Vcc	Supply Voltage
17	T2	Testing output pin (not to be used)
18	FSEL	Frequency selector pin: open = 4.332MHz, closed to Vcc = 8.664MHz
19	TM	Test mode pin (open = normal RUN) (closed to Vcc = Test mode)
20	POR	Reset input for testing (active high)



PIN NO	PIN NAME	DESCRIPTION	I/OUT	ASSIGN	ACTIVE LEVEL	PULL UP/DOWN
1	DSP INT Request	DSP Interrupt Request	I/O	1		
2	Clock Select	DSP Clock Select	I/O	0		
3	DSP CS	DSP Chip Select	I/O	0		
4	RAM CE	RAM Chip Enable	I/O	0		
5	DSP Address	Error Mode	I/O	0		
6	ERRMODE	Error Mode	I/O	0		
7	EPROM Addr 15	EPROM Address (pin 3)	I/O	0		
8	EPROM Addr 16	EPROM Address (pin 2)	I/O	0		
9	EPROM Addr 17	EPROM Address (pin 30)	I/O	0	Low	
10	RAM1 Select 1	RAM1 Select (pin 1)	I/O	0		
11	RAM2 Select 2	RAM2 Select (pin 2)	I/O	0		
12	RAM3 Select 3	RAM3 Select (pin 3)	I/O	0		
13	SDA	I2C Data Input/Output	I/O	0		
14	DSP DIN	DSP DATA INPUT (DSP → MCU)	I/O	1		
15	SCL	I2C Clock	I/O	0		
16	DIR CE	DIR Chip Enable	I/O	0		
17	DIR DIN	DIR Data Input (DIR → MCU)	I/O	1		
18	DSP Preset	CS48928 Preset	I/O	0		
19	DAC Preset	4228/491 Reset	I/O	0		
20	6dB ATT	6dB Attenuation	I/O	0		
21	Masterroom Mute	Masterroom Mute	I/O	0		
22	F. SRK. BLY	Front Speaker Bypass	I/O	0		
23	HP RLY	Headphone Relay	I/O	0		
24	Mult OSD CE	Multimedia OSD Chip Enable (SH8200 - CUNICO Main)	I/O	0		
25	Front Mute	Front Mute	I/O	0		
26	Center Mute	Center Mute	I/O	0		
27	R. Center Mute	Rear Center Mute	I/O	0		
28	Subwoofer Mute	Subwoofer Mute	I/O	0		
29	Rear Mute	Rear Mute	I/O	0		
30	Power Relay	Power Relay	I/O	0		
31	Main OSD CE	Main OSD Chip Enable	I/O	0		
32	DAC CS	DAC (CS4891) Chip Select	I/O	0		
33	ATT LED	Attenuation LED	I/O	0	Low	PU
34	ATT LED	Attenuation LED	I/O	0	Low	PU
35	Display ON LED	Display ON LED	I/O	0	Low	PU
36	EPROM Addr 17	EPROM Address (pin 31) - PS7200P53200 ONLY	I/O	0		
37	Night Mode LED	Night Mode LED	I/O	0	Low	PU
38	Multi-Room LED	Multi-Room LED	I/O	0	Low	PU
39	FL Preset	FL Preset	I/O	0		
40	MCD Preset	MCD Preset	I/O	1	Low	
41	GND	GND	I/O	0		
42	X1AL	12MHz	I/O	1		
43	EXTAL	EXTAL	I/O	1		
44	FL Div CE	FL Divert (C75721E) Chip Enable	I/O	0	Low	
45	FL Div Data	FL Divert (C75721E) Data	I/O	0		
46	FL Div CLK	FL Divert (C75721E) Clock	I/O	0		
47	Standby LED	Standby LED	I/O	0	LH	
48	Vol Encoder Up	Volume Encoder Up	I/O	1		
49	Vol Encoder Up	Volume Encoder Up	I/O	1		
50	Multi Encoder Up	Multi-Room Volume Encoder Up	I/O	1		
51	Multi Encoder Down	Multi-Room Volume Encoder Down	I/O	1		



POS. NO	VER.S. COLOR	PART NO. (FOR PCS)	DESCRIPTION	PART NO. (M/J)
1		9965 000 10950	WINDOW-FL	322W158020
2	GOLD	9965 000 10608	KNOB AL VOL. / SURR.(GOLD)	313W154510
3	BLACK	9965 000 09311	KNOB AL VOL. / SURR.(BLACK)	313W154510
4	K./N/G	4822 454 13406	BADGE MARANTZ	185J251010
4	/N/B	9965 000 10918	PANEL FRONT AL(GOLD)	321W248120
4	U	nsp	PANEL FRONT AL(BLACK)	321W248020
4	U	nsp	PANEL FRONT AL(BLACK)	321W248010
5	GOLD	9965 000 10951	INDICATOR POWER ON/OFF	322W355010
6	GOLD	9965 000 11029	DECORATION CAP FRONT	322W053110
6	BLACK	9965 000 10952	DECORATION CAP FRONT	322W053010
7		9965 000 10953	FILTER COVERLED	322W303010
8	K	nsp	BODY-FRONT FRONT PANEL	nsp
8	N	nsp	BODY-FRONT FRONT PANEL	nsp
9	GOLD	9965 000 11030	BUTTON MUTE (GOLD)	322W270140
9	BLACK	9965 000 10954	BUTTON MUTE (BLACK)	322W270040
10	GOLD	9965 000 11031	BUTTON CLEARMEMORY etc.	322W270130
10	BLACK	9965 000 10955	BUTTON CLEARMEMORY etc.	322W270030
11	GOLD	9965 000 11032	BUTTON TUNING/PRESET	322W270120
11	BLACK	9965 000 10956	BUTTON TUNING/PRESET	322W270020
12	GOLD	9965 000 11033	BUTTON DIMMER/SLEEP etc.	322W270150
12	BLACK	9965 000 10957	BUTTON DIMMER/SLEEP etc.	322W270050
13	GOLD	9965 000 11034	BUTTON TV/DVD etc. (GOLD)	322W270160
13	BLACK	9965 000 10958	BUTTON TV/DVD etc. (BLACK)	322W270060
14	GOLD	9965 000 11035	BUTTON POWER (GOLD)	322W270110
14	BLACK	9965 000 10959	BUTTON POWER (BLACK)	322W270010
15	U	nsp	P.C.B BY LED ASSY	nsp
15	KN	nsp	P.C.B BY LED ASSY	nsp
16	U	nsp	P.C.B SUB ASSY POWER SW	nsp
16	KN	nsp	P.C.B SUB ASSY POWER SW	nsp
17	KN	9965 000 10960	SW PUSH / SDDL -005-S	*SP001160R
18	KN	nsp	BRACKET POWER SW	nsp
19		nsp	P.C.B SUB ASSY HEADPHONE	nsp
20		9965 000 10961	HEAD PHONE JACK	*Y10025501R
21		nsp	P.C.B SUB ASSY M-CONTROL	nsp
22		9965 000 10605	SW ENCODER	*SR000190R
23		nsp	P.C.B SUB ASSY FRONT	nsp
24		9965 000 10962	CINCH JACK TER RCA 3PIN	*Y1000870R
25		9965 000 10963	JACK D6.5 C40160250N	*Y10025300R
26		9965 000 10964	SW ENCODER	*SR000200R
27		4822 130 11515	SENSOR REMOTE	*HW100530R
28		nsp	HOLDER FL-TUBE	nsp
29		9965 000 10965	DISPLAY FL-TUBE / HINA-15MM19 59P	*HQ3005101R
30		nsp	P.C.B SUB ASSY AMP	nsp
31		nsp	BRACKET HEAT SINK	nsp
32		nsp	HEAT SINK AMP	nsp
33		nsp	CHASSIS ASSY	nsp
34		9965 000 10966	R956(A)CH-MAIN+BKT-PCB FOOT HOT STAMPING	322W057010
35		nsp	P.C.B SUB ASSY GUIDE (L)	nsp
36		nsp	P.C.B SUB ASSY GUIDE (R)	nsp
37		nsp	SPACER MAIN PCB SUPPORT	nsp
38	U	nsp	MAIN P.C.B SUB ASSY	nsp

NOTE : "nsp" PART IS LISTED FOR REFERENCE ONLY. MARANTZ WILL NOT SUPPLY THESE PARTS.

POS. NO	VER.S. COLOR	PART NO. (FOR PCS)	DESCRIPTION	PART NO. (M/J)
67	K	nsp	P.C.B SUB ASSY POWER	nsp
68	U	nsp	SOCKET AC OUTLET	*Y1000910R
68	N	9965 000 10981	SOCKET AC OUTLET	*Y1000920R
69	K	nsp	YKE31-0090	nsp
69	N	9965 000 11059	MAINS TRANSF. FOR K	*TS001580R
69	U	nsp	MAINS TRANSF. FOR N	*TS001570R
70	K	nsp	CHASSIS REAR PANEL	nsp
70	N	nsp	CHASSIS REAR PANEL	nsp
70	U	nsp	CHASSIS REAR PANEL	nsp
71	U	nsp	STOPPER CORN HOLDER	322W229030
72	K	nsp	MAINS CORP KP-10MM	*ZC000140R
72	N	9965 000 10983	RVBWITH CORE	*ZC000160R
72	U	nsp	MAINS CORP	*ZC000150R
72	U	nsp	MAINS CORP	nsp
S1		nsp	SCREW TAP TITE	nsp
S1		nsp	+2S 3*8 B-TYPE ZNY/BH	nsp
S1		nsp	SCREW TAP TITE	nsp
S2		nsp	+2S 3*8 B-TYPE ZNY/BH	nsp
S2		nsp	SCREW TAP TITE	nsp
S3		nsp	+2S 3*8 B-TYPE BK/PH	nsp
S3		nsp	SCREW TAP TITE	nsp
S4		nsp	3X18 B-TYPE ZNY/BH	nsp
S4		nsp	SCREW TAP TITE ASSY	nsp
S5		nsp	+3S4*10P+S-WASHER ZNY/BH	nsp
S5		nsp	SCREW TAP TITE	nsp
S6		nsp	+2S 4*8 B-TYPE Bsbm/BH	nsp
S6		nsp	+S-WASHER ZNY/HH	nsp
S7		nsp	SCREW TAP TITE +2S 3*10 B-TYPE(DOT)BH Bsbm	nsp

NOTE : "nsp" PART IS LISTED FOR REFERENCE ONLY. MARANTZ WILL NOT SUPPLY THESE PARTS.

POS. NO	VER.S. COLOR	PART NO. (FOR PCS)	DESCRIPTION	PART NO. (M/J)
001 T	K	nsp	PACKING	321W651350
001 T	N	9965 000 11060	USER GUIDE FOR SR6200	321W651310
001 T	U	nsp	USER GUIDE FOR SR6200	321W651250
001 Z	SR6200	9965 000 11061	REMOTE CONTROLLER	ZK321W0010
-		nsp	ANTENNA AM LOOP	nsp
-		nsp	ANT WIRE DIPOLE	nsp
-		nsp	BATTERY DRY	nsp
-		nsp	R03NE11 5V-AA4A	nsp
-	K	nsp	AC PLUG ADAPTER	nsp

NOT STANDARD SPARE PARTS
 CARD Important
 Surround Addendum Sheet
 CARD Warranty(USA)
 CARD Warranty(CANADA)
 Surround Addendum Sheet
 PACKING CASE
 SR6200(Marantz)
 CUSHION
 PE SHEET FOR SET

8. ALIGNMENT PROCEDURES

TUNER

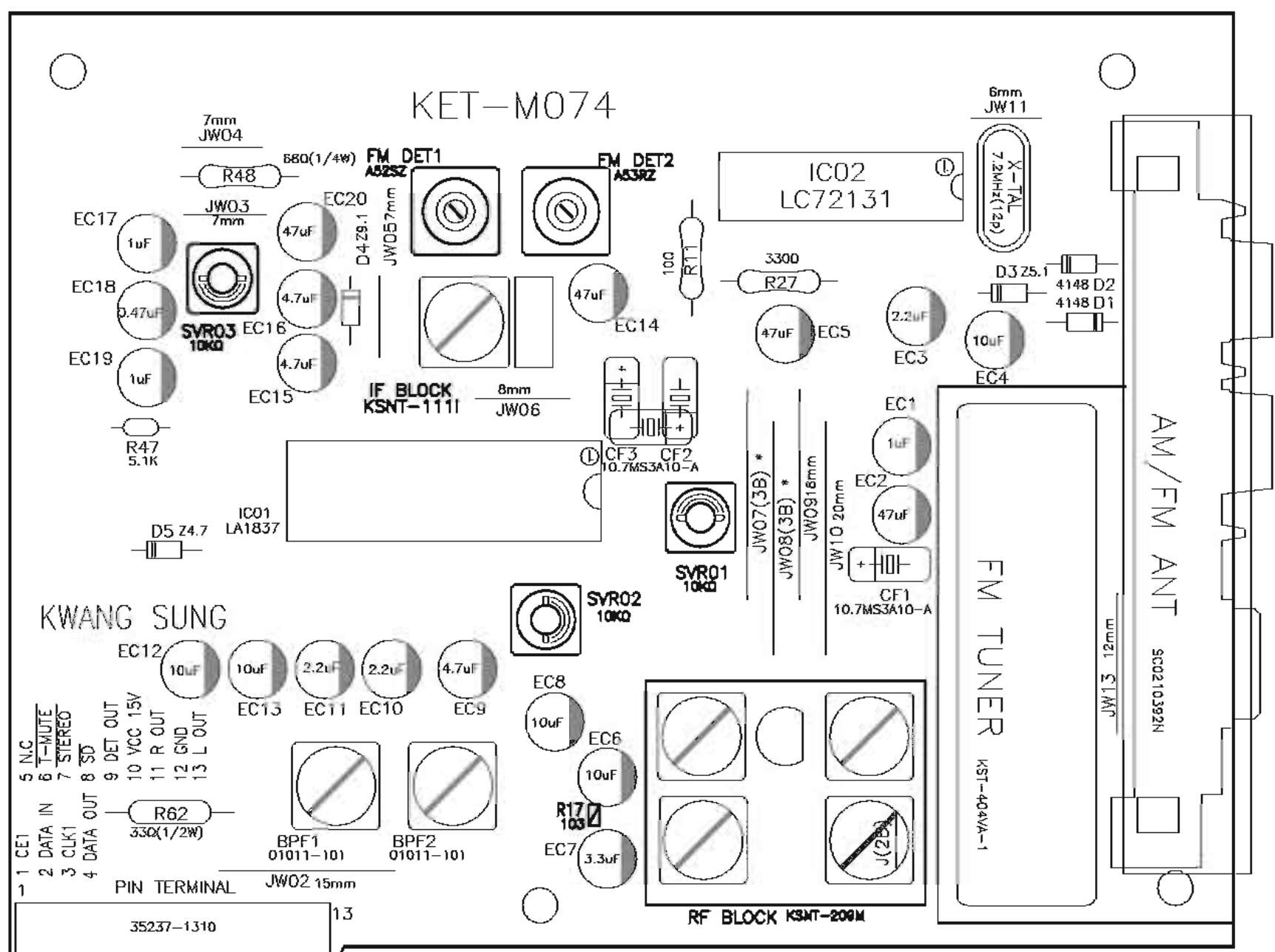
1. Equipment Required

- AM Standard Signal Generator (AM SSG)
- Oscilloscope
- AC Voltmeter
- FM Standard Signal Generator (FM SSG)
- Stereo Modulator
- Audio Generator
- Distortion Meter
- DC Voltmeter
- Frequency Counter

Note : Disconnect external FM antenna prior to alignment.

2. Alignment

2-1. Alignment Test Point



2-2. AM(MW) Alignment

Output of signal generator should not be greater than necessary to obtain an optimum output reading.

Signal generator modulation 30%

Signal frequency 400Hz

Modulation frequency 603, 999, 1404kHz (K,N)

Modulation frequency 600, 1000, 1400kHz (U)

Switch press the BAND Button to AM

Step	Subject	Signal generator setting	Set frequency setting	Equipment connection	Adjustment point	Adjust for
1	Tunning voltage	522kHz (K,N) 520kHz (U)	522kHz (K,N) 520kHz (U)	DC voltmeter	RF BLOCK OSC coil	522 kHz : 1.0 ~ 1.3V 1611 kHz : 7.0 ~ 8.5V
2	IF Tracking	603kHz (K,N) 600kHz (U)	603kHz (K,N) 600kHz (U)	AC voltmeter oscilloscope tape monitor L/R	IF BLOCK Coil KSNT-1111	Maximize audio output
3	RF Tracking	603kHz (K,N) 600kHz (U)	603kHz (K,N) 600kHz (U)	AC voltmeter oscilloscope tape monitor L/R	RF BLOCK ANT coil	Maximize audio output Repeat LOW, HIGH frequency
4	Seek level	999kHz (K,N) 1000kHz (U)	999kHz (K,N) 1000kHz (U)	AC voltmeter oscilloscope tape monitor L/R	SVR 03	Tuned on point

2-3. LW Alignment (N Version only)

Output of signal generator should not be greater than necessary to obtain an optimum output reading.

Signal generator modulation 30%

Signal frequency 400Hz

Modulation frequency 162, 207, 252kHz

Switch press the BAND Button to LW

Step	Subject	Signal generator setting	Set frequency setting	Equipment connection	Adjustment point	Adjust for
1	Tunning voltage	152kHz	152kHz	DC voltmeter	RF BLOCK OSC coil	522 kHz : 1.5 ~ 2.3V 1611 kHz : 6.0 ~ 7.5V
2	RF Tracking	162kHz	162kHz	AC voltmeter oscilloscope tape monitor L/R	RF BLOCK ANT coil	Maximize audio output Repeat LOW, HIGH frequency
3	Seek level	207kHz	207kHz	AC voltmeter oscilloscope tape monitor L/R		Tuned on point

2-4. FM Alignment

Output of signal generator should not be greater than necessary to obtain an optimum output reading.

Signal generator modulation MAIN : 53.5%, PILOT : 10% (K,N)

MAIN : 90%, PILOT : 10% (U)

Signal frequency 1kHz / Deviation : 40kHz (K,N)

1kHz / Deviation : 75kHz (U)

Modulation frequency 90.1MHz, 98.1MHz, 106.1MHz

Switch press the BAND Button to FM

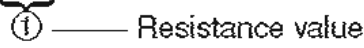
Step	Subject	Signal generator setting	Set frequency setting	Equipment connection	Adjustment point	Adjust for
1	Tuning voltage	87.5kHz 108kHz	87.5kHz 108kHz	DC voltmeter		87.5 MHz : 1.35 ~ 1.65V 108.0 MHz : 6.5V ~ 8.5V
2	FM DET.0V and Distortion Adj	98.1kHz	98.1kHz	AC voltmeter oscilloscope DC voltmeter tape monitor L/R	FD1 , FD2 R17	Minimize 0V and distortion
3	STEREO Separation	98.1kHz	98.1kHz	AC voltmeter oscilloscope DC voltmeter tape monitor L/R	MIX coil CO4 SVR02	Minimize STEREO distortion and Maximize separation Separation L to R Separation R to L
4	Seek stop level	98.1kHz	98.1kHz	AC voltmeter oscilloscope tape monitor L/R	SVR 01	Scan stop point to 22dBu

9. ELECTRICAL PARTS LIST

ASSIGNMENT OF COMMON PARTS CODES.

RESISTORS

- R***: 1) GD05 x x x 140, Carbon film fixed resistor, ±5% 1/4W
- R***: 2) GD05 x x x 160, Carbon film fixed resistor, ±5% 1/6W



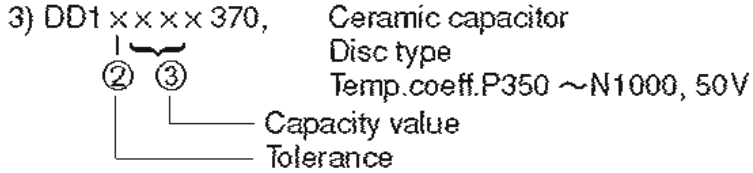
Examples ;

- ① Resistance value
- 0.1 Ω ... 001 10 Ω ... 100 1 kΩ ... 102 100 kΩ ... 104
- 0.5 Ω ... 005 18 Ω ... 180 2.7 kΩ ... 272 680 kΩ ... 684
- 1 Ω ... 010 100 Ω ... 101 10 kΩ ... 103 1 MΩ ... 105
- 6.8 Ω ... 068 390 Ω ... 391 22 kΩ ... 223 4.7 MΩ ... 475

Note : Please distinguish 1/4W from 1/6W by the shape of parts used actually.

CAPACITORS

C***: CERAMIC CAP.



Examples ;

- ② Tolerance (Capacity deviation)
- ±0.25 pF ... 0
- ±0.5 pF ... 1
- ±5% ... 5

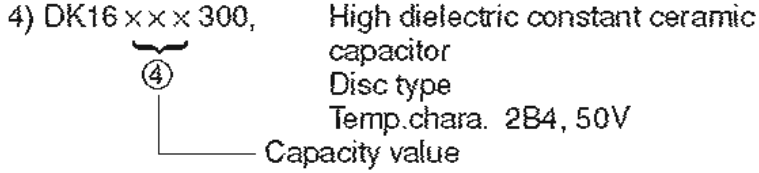
* Tolerance of COMMON PARTS handled here are as follows :

- 0.5 pF ~ 5 pF ... ±0.25 pF
- 6 pF ~ 10 pF ... ±0.5 pF
- 12 pF ~ 560 pF ... ±5%

③ Capacity value

- 0.5 pF ... 005 3 pF ... 030 100 pF ... 101
- 1 pF ... 010 10 pF ... 100 220 pF ... 221
- 1.5 pF ... 015 47 pF ... 470 560 pF ... 561

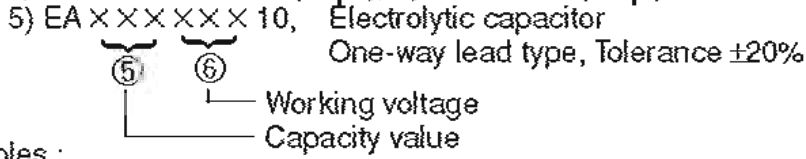
C*** : CERAMIC CAP.



Examples ;

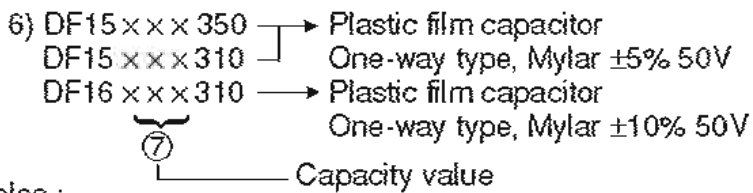
- ④ Capacity value
- 100 pF ... 101 1000 pF ... 102 10000 pF ... 103
- 470 pF ... 471 2200 pF ... 222

C*** : 5) ELECTROLY CAP. (⏏), 6) FILM CAP. (⏏)



Examples ;

- ⑤ Capacity value
- 0.1 μF ... 104 4.7 μF ... 475 100 μF ... 107
- 0.33 μF ... 334 10 μF ... 106 330 μF ... 337
- 1 μF ... 105 22 μF ... 226 1100 μF ... 118
- 2200 μF ... 228
- ⑥ Working voltage
- 6.3V ... 006 25V ... 025
- 10V ... 010 35V ... 035
- 16V ... 016 50V ... 050



Examples ;

- ⑦ Capacity value
- 0.001 μF (1000 pF) ... 102 0.1 μF ... 104
- 0.0018 μF ... 182 0.56 μF ... 564
- 0.01 μF ... 103 1 μF ... 105
- 0.015 μF ... 153

NOTE : 1) The above CODES (R*** , R*** , C*** , C*** and C***) are omitted on the schematic diagram in some case.
2) On the occasion, be confirmed the common parts on the parts list.
3) Refer to "Common Parts List" for the other common parts (R105, DD4, DK4).

NOTE ON SAFETY FOR FUSIBLE RESISTOR :

The suppliers and their type numbers of fusible resistors are as follows;

1. KOA Corporation

Part No. (MJI)	Type No. (KOA)	Description
NH05 x x x 140	RF25S x x x x ΩJ	(±5% 1/4W)
NH05 x x x 120	RF50S x x x x ΩJ	(±5% 1/2W)
NH85 x x x 110	RF73B2A x x x x ΩJ	(±5% 1/10W)
NH95 x x x 140	RF73B2E x x x x ΩJ	(±5% 1/4W)

* Resistance value * Resistance value (0.1 Ω - 10 kΩ)

2. Matsushita Electronic Components Co., Ltd

Part No. (MJI)	Type No. (MEC)	Description
NF05 x x x 140	ERD-2FCJ x x x	(±5% 1/4W)
RF05 x x x 140		
NF02 x x x 140	ERD-2FCG x x x	(±2% 1/4W)
RF02 x x x 140		

* Resistance value * Resistance value

Examples ;

- * Resistance value
- 0.1 Ω ... 001 10 Ω ... 100 1 kΩ ... 102 100 kΩ ... 104
- 0.5 Ω ... 005 18 Ω ... 180 2.7 kΩ ... 272 680 kΩ ... 684
- 1 Ω ... 010 100 Ω ... 101 10 kΩ ... 103 1 MΩ ... 105
- 6.8 Ω ... 068 390 Ω ... 391 22 kΩ ... 223 4.7 MΩ ... 475

ABBREVIATION AND MARKS

ANT. : ANTENNA	BATT. : BATTERY
CAP. : CAPACITOR	CER. : CERAMIC
CONN. : CONNECTING	DIG. : DIGITAL
HP : HEADPHONE	MIC. : MICROPHONE
μ-PRO : MICROPROCESSOR	REC. : RECORDING
RES. : RESISTOR	SPK : SPEAKER
SW : SWITCH	TRANSF. : TRANSFORMER
TRIM. : TRIMMING	TRS. : TRANSISTOR
VAR. : VARIABLE	X'TAL : CRYSTAL

NOTE ON FUSE :

Regarding to all parts of parts code FS20xxx2xx, replace only with Wickmann-Werke GmbH, Type 372 non glass type fuse.

NOTE ON SAFETY :

Symbol ⚠ Fire or electrical shock hazard. Only original parts should be used to replaced any part marked with symbol ⚠. Any other component substitution (other than original type), may increase risk of fire or electrical shock hazard.

安全上の注意 :

⚠がついている部品は、安全上重要な部品です。必ず指定されている部品番号の部品を使用して下さい。

POS. NO	VERS. COLOR	PART NO. (FOR PCS)	DESCRIPTION	PART NO. (MJI)	POS. NO	VERS. COLOR	PART NO. (FOR PCS)	DESCRIPTION	PART NO. (MJI)
			VOLUME CIRCUIT BOARD		C571SL		nsp	ELECT 4.7μF/M/16V 5*11	nsp
			VOLUME-CAPACITORS		C571SR		nsp	ELECT 4.7μF/M/16V 5*11	nsp
C503FL		nsp	CER.CHIP 100pF-J/50V-1608	nsp	C571SW		nsp	ELECT 4.7μF/M/16V 5*11	nsp
C505C		nsp	ELECT 0.1μF/M/50V 5*11-5RE	nsp	C576		nsp	CER.CHIP 100pF-J/50V-1608	nsp
C505F		nsp	ELECT 0.1μF/M/50V 5*11-5RE	nsp	C577		nsp	CER.CHIP 100pF-J/50V-1608	nsp
C505S		nsp	ELECT 0.1μF/M/50V 5*11-5RE	nsp	C584		nsp	CER.CHIP 100pF-J/50V-1608	nsp
C505SC		nsp	ELECT 0.1μF/M/50V 5*11-5RE	nsp	C585		nsp	CER.CHIP 0.1μF-Z/50V-1608	nsp
C505SW		nsp	ELECT 0.1μF/M/50V 5*11-5RE	nsp	C586		nsp	CER.CHIP 0.1μF-Z/50V-1608	nsp
C515C		nsp	CER.CHIP 100pF-J/50V-1608	nsp	C587		nsp	ELECT 10μF/M/50V 5*11-5RE	nsp
C515FL		nsp	CER.CHIP 100pF-J/50V-1608	nsp	C588		nsp	ELECT 10μF/M/50V 5*11-5RE	nsp
C515FR		nsp	CER.CHIP 100pF-J/50V-1608	nsp	C589		nsp	ELECT 47μF/M/50V 6.3*11-5RE	nsp
C515SC		nsp	CER.CHIP 100pF-J/50V-1608	nsp	C590		nsp	ELECT 47μF/M/50V 6.3*11-5RE	nsp
C515SL		nsp	CER.CHIP 100pF-J/50V-1608	nsp	C591		nsp	CER.CHIP 47pF-J/50V-1608	nsp
C515SR		nsp	CER.CHIP 100pF-J/50V-1608	nsp	C592		nsp	CER.CHIP 47pF-J/50V-1608	nsp
C515SW		nsp	CER.CHIP 100pF-J/50V-1608	nsp	C593		nsp	CER.CHIP 0.1μF-Z/50V-1608	nsp
					C594		nsp	CER.CHIP 0.1μF-Z/50V-1608	nsp
C528C		nsp	ELECT,2.2μF/M/50V 5*11	nsp	C595		nsp	CER.CHIP 47pF-J/50V-1608	nsp
C528FL		nsp	ELECT,2.2μF/M/50V 5*11	nsp	C596		nsp		
C528FR		nsp	ELECT,2.2μF/M/50V 5*11	nsp	}		nsp	ELECT 10μF/M/50V 5*11-5RE	nsp
C528SC		nsp	ELECT,2.2μF/M/50V 5*11	nsp	C599		nsp		
C528SL		nsp	ELECT,2.2μF/M/50V 5*11	nsp	C600		nsp	ELECT 10μF/M/50V 5*11-5RE	nsp
C528SR		nsp	ELECT,2.2μF/M/50V 5*11	nsp	C601		nsp	CER.CHIP 0.1μF-Z/50V-1608	nsp
C528SW		nsp	ELECT 4.7μF/M/16V 5*11	nsp				VOLUME - RESISTORS	
C533C		nsp	CER.CHIP 100pF-J/50V-1608	nsp	R501		nsp	CHIP 560-J 1/16W-1608	nsp
C533FL		nsp	CER.CHIP 100pF-J/50V-1608	nsp	R502		nsp	CHIP 560-J 1/16W-1608	nsp
C533FR		nsp	CER.CHIP 100pF-J/50V-1608	nsp	R502C		nsp	CHIP,100K-J 1/16W-1608	nsp
C533SC		nsp	CER.CHIP 100pF-J/50V-1608	nsp	R502FL		nsp	CHIP,100K-J 1/16W-1608	nsp
C533SL		nsp	CER.CHIP 100pF-J/50V-1608	nsp	R502FR		nsp	CHIP,100K-J 1/16W-1608	nsp
C533SR		nsp	CER.CHIP 100pF-J/50V-1608	nsp	R502SC		nsp	CHIP,100K-J 1/16W-1608	nsp
C533SW		nsp	CER.CHIP 1200pF-K/50V-1608	nsp	R502SL		nsp	CHIP,100K-J 1/16W-1608	nsp
					R502SR		nsp	CHIP,100K-J 1/16W-1608	nsp
C541C		nsp	CER.CHIP 100pF-J/50V-1608	nsp	R502SW		nsp	CHIP,100K-J 1/16W-1608	nsp
C541FL		nsp	CER.CHIP 100pF-J/50V-1608	nsp	R503		nsp	4.7-J 1/6W-52RE-AX	nsp
C541FR		nsp	CER.CHIP 100pF-J/50V-1608	nsp	R504		nsp	4.7-J 1/6W-52RE-AX	nsp
C541SC		nsp	CER.CHIP 100pF-J/50V-1608	nsp	R507C		nsp	CHIP 1K-J 1/16W-1608	nsp
C541SL		nsp	CER.CHIP 100pF-J/50V-1608	nsp	R507FL		nsp	CHIP 1K-J 1/16W-1608	nsp
C541SR		nsp	CER.CHIP 100pF-J/50V-1608	nsp	R507FR		nsp	CHIP 1K-J 1/16W-1608	nsp
C541SW		nsp	CER.CHIP 100pF-J/50V-1608	nsp	R507SC		nsp	CHIP 1K-J 1/16W-1608	nsp
C543		nsp	CER.CHIP 0.1μF-Z/50V-1608	nsp	R507SL		nsp	CHIP 1K-J 1/16W-1608	nsp
C544		nsp	CER.CHIP 0.1μF-Z/50V-1608	nsp	R507SR		nsp	CHIP 1K-J 1/16W-1608	nsp
C545A		nsp	CER.CHIP 1000pF-K/50V-1608	nsp	R507SW		nsp	CHIP 1K-J 1/16W-1608	nsp
C545C		nsp	ELECT 4.7μF/M/16V 5*11	nsp					
C545FL		nsp	ELECT 4.7μF/M/16V 5*11	nsp	R512C		nsp	CHIP 220-J 1/16W-1608	nsp
C545FR		nsp	ELECT 4.7μF/M/16V 5*11	nsp	R512FL		nsp	CHIP 1K-J 1/16W-1608	nsp
C545SC		nsp	ELECT 4.7μF/M/16V 5*11	nsp	R512FR		nsp	CHIP 1K-J 1/16W-1608	nsp
C545SL		nsp	ELECT 4.7μF/M/16V 5*11	nsp	R512SC		nsp	CHIP 220-J 1/16W-1608	nsp
C545SR		nsp	ELECT 4.7μF/M/16V 5*11	nsp	R512SL		nsp	CHIP 220-J 1/16W-1608	nsp
C545SW		nsp	ELECT 4.7μF/M/16V 5*11	nsp	R512SR		nsp	CHIP 220-J 1/16W-1608	nsp
C546A		nsp	CER.CHIP 1000pF-K/50V-1608	nsp	R512SW		nsp	CHIP 220-J 1/16W-1608	nsp
C552					R515		nsp	CHIP 10K-J 1/16W-1608	nsp
}		nsp	CER.CHIP 0.1μF-Z/50V-1608	nsp	R516C		nsp	CHIP 470K-J 1/16W-1608	nsp
C556					R516FL		nsp	CHIP 100K-J 1/16W-1608	nsp
C557					R516FR		nsp	CHIP 100K-J 1/16W-1608	nsp
}		nsp	ELECT 47μF/M/25V 5*11-5RE	nsp	R516SC		nsp	CHIP 470K-J 1/16W-1608	nsp
C560					R516SL		nsp	CHIP 470K-J 1/16W-1608	nsp
C561					R516SR		nsp	CHIP 470K-J 1/16W-1608	nsp
}		nsp	CER.CHIP 0.1μF-Z/50V-1608	nsp	R516SW		nsp	CHIP 1.5K-J 1/16W-1608	nsp
C564					R525				
C565		nsp	ELECT 47μF/M/25V 5*11-5RE	nsp	}		nsp	CHIP 10K-J 1/16W-1608	nsp
C566		nsp	ELECT 47μF/M/25V 5*11-5RE	nsp	R530		nsp	CHIP 22K-J 1/16W-1608	nsp
C567		nsp	CER.CHIP 0.1μF-Z/50V-1608	nsp	R532		nsp	470-J 1/6W-52RE-AX	nsp
C568		nsp	CER.CHIP 0.1μF-Z/50V-1608	nsp	R536C		nsp	CHIP 470-J 1/16W-1608	nsp
C571C		nsp	ELECT 4.7μF/M/16V 5*11	nsp	R536FL		nsp	CHIP 470-J 1/16W-1608	nsp
C571FL		nsp	ELECT 4.7μF/M/16V 5*11	nsp	R536FR		nsp	CHIP 470-J 1/16W-1608	nsp
C571FR		nsp	ELECT 4.7μF/M/16V 5*11	nsp	R536SC		nsp	CHIP 470-J 1/16W-1608	nsp
C571SC		nsp	ELECT 4.7μF/M/16V 5*11	nsp					

NOTE : "nsp" PART IS LISTED FOR REFERENCE ONLY. MARANTZ WILL NOT SUPPLY THESE PARTS.

POS. NO	VERS. COLOR	PART NO. (FOR PCS)	DESCRIPTION	PART NO. (MJI)	POS. NO	VERS. COLOR	PART NO. (FOR PCS)	DESCRIPTION	PART NO. (MJI)
R536SL		nsp	CHIP 470-J 1/16W-1608	nsp	R603		nsp	4.7K-J 1/6W-52RE-AX	nsp
R536SR		nsp	CHIP 470-J 1/16W-1608	nsp	R604		nsp	4.7K-J 1/6W-52RE-AX	nsp
R536SW		nsp	CHIP 470-J 1/16W-1608	nsp	R605		nsp	CHIP 4.7K-J 1/16W-1608	nsp
R537					R606		nsp	CHIP 4.7K-J 1/16W-1608	nsp
}		nsp	CHIP 22K-J 1/16W-1608	nsp	R607				
R542					}		nsp	CHIP 10K-J 1/16W-1608	nsp
R543					R612				
}		nsp	100K-J 1/6W-52RE-AX	nsp	R613		nsp	CHIP 47K-J 1/16W-1608	nsp
R547					R614		nsp	CHIP 47K-J 1/16W-1608	nsp
R549C		nsp	CHIP,100K-J 1/16W-1608	nsp	R615				
R549FL		nsp	CHIP,100K-J 1/16W-1608	nsp	}		nsp	CHIP 10K-J 1/16W-1608	nsp
R549FR		nsp	CHIP,100K-J 1/16W-1608	nsp	R618				
R549SC		nsp	CHIP,100K-J 1/16W-1608	nsp	R619		nsp	CHIP 100K-J 1/16W-1608	nsp
R549SL		nsp	CHIP,100K-J 1/16W-1608	nsp	R620		nsp	CHIP 100K-J 1/16W-1608	nsp
R549SR		nsp	CHIP,100K-J 1/16W-1608	nsp					
R549SW		nsp	CHIP 1000K-J 1/16W-1608	nsp				VOLUME - SEMICONDUCTORS	
R559C		nsp	CHIP 470-J 1/16W-1608	nsp	D501				
R559FL		nsp	CHIP 470-J 1/16W-1608	nsp	}	4822 130 32778		DIODE 1SS133T-72-52MM	HD20015210
R559FR		nsp	CHIP 470-J 1/16W-1608	nsp	D512				
R559SC		nsp	470-J 1/6W-52RE-AX	nsp	IC501	9965 000 01373		IC KIC9459F/SOP24P	HC10449050
R559SL		nsp	CHIP 470-J 1/16W-1608	nsp	IC502	9965 000 10985		IC KIC9482F /	*HC107280R
R559SR		nsp	CHIP 470-J 1/16W-1608	nsp				6CH WITHOUT TONE FLP28	
R559SW		nsp	CHIP 470-J 1/16W-1608	nsp	IC505				
					}	4822 209 17155		IC NJM2068M-SOP8P	HC10102090
R567C		nsp	CHIP 3K-J 1/16W-1608	nsp	IC509				
R567FL		nsp	CHIP 3K-J 1/16W-1608	nsp	IC512	4822 209 17155		IC NJM2068M-SOP8P	HC10102090
R567FR		nsp	CHIP 3K-J 1/16W-1608	nsp	IC513	4822 209 16843		IC NJU7313AL-SDIP28P	HC10125090
R567SC		nsp	CHIP 3K-J 1/16W-1608	nsp	IC514	9965 000 02111		IC BU4053BCF/SOP16P	HC405321Z0
R567SL		nsp	CHIP 3K-J 1/16W-1608	nsp	Q501				
R567SR		nsp	CHIP 3K-J 1/16W-1608	nsp	}	9965 000 10744		TRS.2SC KTC2875B 0.15W/	*HT300870R
R567SW		nsp	CHIP 5.1K-J 1/16W-1608	nsp				LOW-ON-RES SOT23(RTK)	
R569C		nsp	CHIP 1.2K-J 1/16W-1608	nsp	Q514				
R569FL		nsp	CHIP 1.2K-J 1/16W-1608	nsp				VOLUME - MISCELLANEOUS	
R569FR		nsp	CHIP 1.2K-J 1/16W-1608	nsp	CN114		nsp	CN.WAFER 2.0MM	nsp
R569SC		nsp	CHIP 1.2K-J 1/16W-1608	nsp				TUC-P15X-B1 BD-TO-BD	
R569SL		nsp	CHIP 1.2K-J 1/16W-1608	nsp				15P HOUSING ST (35237-15)	
R569SR		nsp	CHIP 1.2K-J 1/16W-1608	nsp	CN115		nsp	CN.WAFER 2.0MM	nsp
R569SW		nsp	CHIP 1.2K-J 1/16W-1608	nsp				TUC-P20X-B1 BD-TO-BD	
								20P HOUSING ST (35237-20)	
R582C		nsp	CHIP,68K-J 1/16W-1608	nsp	CP503		nsp	CN WIRE 220MM 12P	nsp
R582FL		nsp	CHIP,68K-J 1/16W-1608	nsp				GILS-12 GILT-12	
R582FR		nsp	CHIP,68K-J 1/16W-1608	nsp				(CONNECTOR CNT503)	
R582SC		nsp	CHIP,68K-J 1/16W-1608	nsp	R505		nsp	JUMPER (0.6/52MM)	nsp
R582SL		nsp	CHIP,68K-J 1/16W-1608	nsp	R506		nsp	JUMPER (0.6/52MM)	nsp
R582SR		nsp	CHIP,68K-J 1/16W-1608	nsp					
R582SW		nsp	CHIP,68K-J 1/16W-1608	nsp				SPEAKER CIRCUIT BOARD	
R589C		nsp	CHIP 470-J 1/16W-1608	nsp				SPEAKER - CAPACITORS	
R589FL		nsp	CHIP 470-J 1/16W-1608	nsp	C903FC		nsp	FILM 0.0022µF-J100V-5RE	nsp
R589FR		nsp	CHIP 470-J 1/16W-1608	nsp	C903FL		nsp	FILM 0.0022µF-J100V-5RE	nsp
R589SC		nsp	CHIP 470-J 1/16W-1608	nsp	C903FR		nsp	FILM 0.0022µF-J100V-5RE	nsp
R589SL		nsp	CHIP 470-J 1/16W-1608	nsp	C903SC		nsp	FILM 0.0022µF-J100V-5RE	nsp
R589SR		nsp	CHIP 470-J 1/16W-1608	nsp	C903SL		nsp	FILM 0.0022µF-J100V-5RE	nsp
R589SW		nsp	CHIP 470-J 1/16W-1608	nsp	C903SR		nsp	FILM 0.0022µF-J100V-5RE	nsp
R590		nsp	1K-J 1/6W-52RE-AX	nsp	C904FCG		nsp	CER. 0.0047µFK/16V-52RE	nsp
R591		nsp	CHIP 2K-J 1/16W-1608	nsp	C904FLG		nsp	CER. 0.0047µFK/16V-52RE	nsp
R592		nsp	1K-J 1/6W-52RE-AX	nsp	C904FRG		nsp	CER. 0.0047µFK/16V-52RE	nsp
R593		nsp	CHIP 2K-J 1/16W-1608	nsp	C904SCG		nsp	CER. 0.0047µFK/16V-52RE	nsp
R594		nsp	CHIP 2K-J 1/16W-1608	nsp	C904SLG		nsp	CER. 0.0047µFK/16V-52RE	nsp
R595					C904SRG		nsp	CER. 0.0047µFK/16V-52RE	nsp
}		nsp	1K-J 1/6W-52RE-AX	nsp					
R598								SPEAKER - MISCELLANEOUS	
R599		nsp	100-J 1/6W-52RE-AX	nsp	CN101		nsp	CN.WAFER 2.5MM PLUG BD	nsp
R600		nsp	100-J 1/6W-52RE-AX	nsp				52668-1317 13P 2.5 ANG ZIP	
R601		nsp	CHIP 100K-J 1/16W-1608	nsp					
R602		nsp	CHIP 100K-J 1/16W-1608	nsp					

NOTE : "nsp" PART IS LISTED FOR REFERENCE ONLY, MARANTZ WILL NOT SUPPLY THESE PARTS.

POS. NO	VERS. COLOR	PART NO. (FOR PCS)	DESCRIPTION	PART NO. (MJI)	POS. NO	VERS. COLOR	PART NO. (FOR PCS)	DESCRIPTION	PART NO. (MJI)
			FRONT CIRCUIT BOARD		R332		nsp	1K-J 1/6W-52RE-AX	nsp
			FRONT - CAPACITORS		R333		nsp	10K-J 1/6W-52RE-AX	nsp
C301		nsp	ELECT 47µF/M/10V 5*11-5RE	nsp	R334		nsp	1K-J 1/6W-52RE-AX	nsp
C302		nsp	CER. F0.022µF-Z/25V-52RE	nsp	}				
C303		nsp	CER. F0.047µF-Z/50V-52RE	nsp	R338		nsp	330-J 1/6W-52RE-AX	nsp
C304		nsp	CER. B100pF-K/50V-52RE	nsp	R340		nsp	330-J 1/6W-52RE-AX	nsp
C305		nsp	ELECT 10µF/M/50V 5*11-5RE	nsp	R341		nsp	47K-J 1/6W-52RE-AX	nsp
C306		nsp	CER. F0.047µF-Z/50V-52RE	nsp	R342		nsp	75-J 1/6W-52RE-AX	nsp
C307		nsp	ELECT 10µF/M/50V 5*11-5RE	nsp	R343		nsp	75-J 1/6W-52RE-AX	nsp
C308		nsp	CER. F0.022µF-Z/25V-52RE	nsp	R344		nsp	75-J 1/6W-52RE-AX	nsp
C309		nsp	CER. B100pF-K/50V-52RE	nsp	R345		nsp	75-J 1/6W-52RE-AX	nsp
C310		nsp	CER. F0.047µF-Z/50V-52RE	nsp	R346		nsp	47K-J 1/6W-52RE-AX	nsp
C311		nsp	CER. B100pF-K/50V-52RE	nsp	R347		nsp	470-J 1/6W-52RE-AX	nsp
C312		nsp	CER. B100pF-K/50V-52RE	nsp	R348		nsp	100K-J 1/6W-52RE-AX	nsp
C313		nsp	ELECT 10µF/M/50V 5*11-5RE	nsp	R349		nsp	10K-J 1/6W-52RE-AX	nsp
C314		nsp	ELECT 10µF/M/50V 5*11-5RE	nsp	R350		nsp	100K-J 1/6W-52RE-AX	nsp
C315		nsp	CER. B820pF-K/50V-52RE	nsp	R351		nsp	47K-J 1/6W-52RE-AX	nsp
C316		nsp	CER. B820pF-K/50V-52RE	nsp	R352		nsp	470-J 1/6W-52RE-AX	nsp
C317		nsp	ELECT 10µF/M/50V 5*11-5RE	nsp	R353		nsp	2.2K-J 1/6W-52RE-AX	nsp
C318		nsp		nsp	R354		nsp	330-J 1/6W-52RE-AX	nsp
}		nsp	CER. B100pF-K/50V-52RE	nsp	R356		nsp	24K-J 1/6W-52RE-AX	nsp
C321		nsp		nsp	R357		nsp	24K-J 1/6W-52RE-AX	nsp
C322		nsp	CER. F0.1µF-Z/50V-52RE	nsp	R359		nsp	24K-J 1/6W-52RE-AX	nsp
C323		nsp	CER. F0.1µF-Z/50V-52RE	nsp					
C371		nsp	CER. B820pF-K/50V-52RE	nsp				FRONT - SEMICONDUCTORS	
C372		nsp	CER. B820pF-K/50V-52RE	nsp	D301		4822 130 32778	DIODE 1SS133T-72-52MM	HD20015210
CN301		nsp	CN WIRE 450/9P 9073-9=GILS-3 2 4 WH2547#26+BK1533#26	nsp	D317		4822 130 32778	DIODE 1SS133T-72-52MM	HD20015210
CN303		nsp	CN WIRE 100MM/4P	nsp	D318		4822 130 10854	LED SLR-34URCF25	*HI100710R
			9073-04=9073-04 WH1007#26		D319		4822 130 10854	LED SLR-34URCF25	*HI100710R
CN304		nsp	CN WIRE 470MM/5P	nsp	D320		4822 130 10854	LED SLR-34URCF25	*HI100710R
			GILS-5=9073-5 WH1007#26		D328		4822 130 83172	D ZENER MTZJ11B-0.5W/5MA-52MM	*HD301990R
CN305		nsp	CN WIRE 80/3P	nsp	D332		4822 130 32778	DIODE 1SS133T-72-52MM	HD20015210
			GILS-03=9073-03 RD1007#26		}				
CP305		nsp	CN.WAFER 2.0MM	nsp	D337				
			GIL-S-03P-S2L2-EF		FPC109B		nsp	CN.FP1.25MM 52492-2320 23P	nsp
			FRONT - RESISITORS					BOTTOM ENTRY(CN109)	
R301		nsp	68K-J 1/6W-52RE-AX	nsp	IC301		9965 000 10986	IC LC75721E / QIP64 DRIVER	*HC107290R
R302		nsp	68K-J 1/6W-52RE-AX	nsp	L302		nsp	COIL FILTER-INDUCTOR	nsp
R303		nsp	330-J 1/6W-52RE-AX	nsp				10µHQ40/24M-R2.5-52RE02TB	
R304		nsp	100-J 1/6W-52RE-AX	nsp	Q301		9965 000 10444	TRS. NPN RC KRC107M 0.4W/TO92M	*BA001190R
R305		nsp	120-J 1/6W-52RE-AX	nsp	Q302		9965 000 10987	TRS. PNP RA KRA111M 0.4W/TO92M	*BA001200R
R306		nsp	150-J 1/6W-52RE-AX	nsp	Q304		9965 000 10444	TRS. NPN RC KRC107M 0.4W/TO92M	*BA001190R
R307		nsp	150-J 1/6W-52RE-AX	nsp	Q305		9965 000 10444	TRS. NPN RC KRC107M 0.4W/TO92M	*BA001190R
R308		nsp	270-J 1/6W-52RE-AX	nsp	Q306		9965 000 10444	TRS. NPN RC KRC107M 0.4W/TO92M	*BA001190R
R309		nsp	270-J 1/6W-52RE-AX	nsp	Q309		4822 130 43233	TRS.2SC KTC3200BL 0.6W/TO92	HT322402A0
R310		nsp	470-J 1/6W-52RE-AX	nsp				FRONT-MISCELLANEOUS	
R311		nsp	820-J 1/6W-52RE-AX	nsp	SILD		nsp	SUPPORTER SR7200/	nsp
R312		nsp	1K-J 1/6W-52RE-AX	nsp				U2B(MARANTZ) SPT 0.21 /	
R313		nsp	120-J 1/6W-52RE-AX	nsp				FRONT GND	
R314		nsp	150-J 1/6W-52RE-AX	nsp	SW301				
R315		nsp	150-J 1/6W-52RE-AX	nsp	}		9965 000 10988	SW TACT SKHV10920A	*SP000900R
					SW324			5MM/260G	
R316		nsp	270-J 1/6W-52RE-AX	nsp				INPUT1 CIRCUIT BOARD	
R317		nsp	270-J 1/6W-52RE-AX	nsp				INPUT1-CAPACITORS	
R318		nsp	470-J 1/6W-52RE-AX	nsp	C417				
R319		nsp	820-J 1/6W-52RE-AX	nsp	}	K	nsp	CER. B100pF-K/50V-52RE	nsp
R322		nsp	1K-J 1/6W-52RE-AX	nsp	C432				
R323		nsp	120-J 1/6W-52RE-AX	nsp					
R324		nsp	150-J 1/6W-52RE-AX	nsp					
R325		nsp	150-J 1/6W-52RE-AX	nsp					
R326		nsp	270-J 1/6W-52RE-AX	nsp					
R327		nsp	270-J 1/6W-52RE-AX	nsp					
R328		nsp	470-J 1/6W-52RE-AX	nsp					
R329		nsp	820-J 1/6W-52RE-AX	nsp					
R330		nsp	1.5K-J 1/6W-52RE-AX	nsp					

NOTE : "nsp" PART IS LISTED FOR REFERENCE ONLY. MARANTZ WILL NOT SUPPLY THESE PARTS.

POS. NO	VERS. COLOR	PART NO. (FOR PCS)	DESCRIPTION	PART NO. (MJI)	POS. NO	VERS. COLOR	PART NO. (FOR PCS)	DESCRIPTION	PART NO. (MJI)
C435		nsp	ELECT 4.7μF/M/50V 5*11	nsp				INPUT2 CIRCUIT BOARD	
C438								INPUT2 - CAPACITORS	
C439		nsp	ELECT 1μF/M/50V 5*11-5RE	nsp	C448	K	nsp	CER. B100pF-K/50V-52RE	nsp
C440		nsp	ELECT 1μF/M/50V 5*11-5RE	nsp	C453				
C441					C462		nsp	CER. 0.01μF/M/16V-52RE	nsp
C444		nsp	ELECT 4.7μF/M/50V 5*11	nsp	C463A		nsp	CER. F0.1μF-Z/50V-52RE	nsp
C445		nsp	CER. B100pF-K/50V-52RE	nsp	C468		nsp	CER. F0.1μF-Z/50V-52RE	nsp
C446		nsp	CER. B100pF-K/50V-52RE	nsp	C599		nsp	CER. F0.1μF-Z/50V-52RE	nsp
C447		nsp	CER. B100pF-K/50V-52RE	nsp				INPUT2 - RESISTORS	
C464		nsp			R517				
C467		nsp	CER. 0.01μF/M/16V-52RE	nsp	R522		nsp	470-J 1/6W-52RE-AX	nsp
C498		nsp	CER. F0.1μF-Z/50V-52RE	nsp	R535		nsp	47-J 1/6W-52RE-AX	nsp
C499		nsp	CER. F0.1μF-Z/50V-52RE	nsp				INPUT2 - SEMICONDUCTORS	
CLAMP 101		nsp	CLAMP HMX9800 DARA-2 (W=2.6 L=50)/WIRE(SOLDER)	nsp	D501		4822 130 32778	DIODE 1SS133T-72-52MM	HD20015210
CLAMP 102		nsp	CLAMP HMX9800 DARA-2 (W=2.6 L=50)/WIRE(SOLDER)	nsp	D502		4822 130 32778	DIODE 1SS133T-72-52MM	HD20015210
CN107		nsp	CN.WAFER 2.0MM TUC-P10X-B1 BD-TO-BD 10P HOUSING ST (35237-10)	nsp				INPUT2 - MISCELLANEOUS	
CN108		nsp	CN.WAFER 2.0MM TUC-P20X-B1 BD-TO-BD 20P HOUSING ST (35237-20)	nsp	CN109		nsp	CN.WAFER 2.0MM TUC-P04X-B1 BD-TO-BD 4P HOUSING ST (35237-04)	nsp
CP130		nsp	CN WIRE 570MM/4P 5264-04=51088-04 RD1007#22	nsp	CN110		nsp	CN.WAFER 2.0MM TUC-P11X-B1 BD-TO-BD 11P HOUSING ST (35237-11)	nsp
CP3011		nsp	CN.WAFER 2.0MM G1L-S-3P-S2T2-EF	nsp				POWER SW CIRCUIT BOARD	
			INPUT1 - RESISTORS		CNT401	K	nsp	POWER SW-MISCELLANEOUS	
R433		nsp	470-J 1/6W-52RE-AX	nsp				CN WIRE 500MM 2P 35156-03 JE201-03 BK1617#22 7.92	nsp
R449								VIDEO CIRCUIT BOARD	
R466		nsp	150-J 1/6W-52RE-AX	nsp				VIDEO - CAPACITORS	
R467		nsp	4.7-J 1/6W-52RE-AX	nsp	C840U	U	nsp	CER. 20pF-J/50V-5RE	nsp
R468		nsp	150-J 1/6W-52RE-AX	nsp	C841U	U	nsp	CER. 20pF-J/50V-5RE	nsp
R469		nsp	150-J 1/6W-52RE-AX	nsp	C871		nsp	CER.CHIP 47pF-J/50V-1608	nsp
R470		nsp	150-J 1/6W-52RE-AX	nsp	C873		nsp	ELECT 470μF/M/6.3V 8*11.5-5	nsp
R471					C874		nsp	CER.CHIP 47pF-J/50V-1608	nsp
R474		nsp	470K-J 1/6W-52RE-AX	nsp	C875		nsp	ELECT 470μF/M/6.3V 8*11.5-5	nsp
R475		nsp	4.7-J 1/6W-52RE-AX	nsp	C876		nsp	CER.CHIP 47pF-J/50V-1608	nsp
R481					C877		nsp	ELECT 470μF/M/6.3V 8*11.5-5	nsp
R484		nsp	470K-J 1/6W-52RE-AX	nsp	C878		nsp	ELECT 10μF/M/50V 5*11-5RE	nsp
R487					C881				
R490		nsp	150-J 1/6W-52RE-AX	nsp	C882		nsp	ELECT 47μF/M/16V 5*11	nsp
R495					C883		nsp	CER.CHIP 0.1μF-K/50V-1608	nsp
R498		nsp	470K-J 1/6W-52RE-AX	nsp	C884		nsp	CER.CHIP 0.1μF-K/50V-1608	nsp
R503		nsp	1K-J 1/6W-52RE-AX	nsp	C885		nsp	ELECT 47μF/M/16V 5*11	nsp
R504		nsp	1K-J 1/6W-52RE-AX	nsp	C886		nsp	ELECT 10μF/M/50V 5*11-5RE	nsp
R505		nsp	1K-J 1/6W-52RE-AX	nsp	C887		nsp	CER.CHIP 100pF-J/50V-1608	nsp
R536	4822 053 10331		RES MF 330 2W 5%	GA05331010	C888		nsp	CER. 0.01μF/M/16V-52RE	nsp
R537	4822 053 10331		RES MF 330 2W 5%	GA05331010	C889		nsp	ELECT 100μF/M/10V 5*11-5RE	nsp
IC401	9965 000 10989		INPUT1 - SEMICONDUCTORS IC TC9274N-011 SDIP42-P-600 ANALOG SW	*HC107320R	C890		nsp	CER. 0.001μF-K/50V-52RE	nsp
IC403	4822 209 73064		IC NJM2068DD-DIP8P	HC10053090	C891		nsp	ELECT 2.2μF/M/50V 5*11-5RE	nsp
IC404	4822 209 73064		IC NJM2068DD-DIP8P	HC10053090	C892		nsp	CER.CHIP 100pF-J/50V-1608	nsp
WIRE401		nsp	INPUT1 - MISCELLANEOUS RING TER WIRE	nsp	C894		nsp	ELECT 10μF/M/50V 5*11-5RE	nsp
					C895		nsp	ELECT 10μF/M/50V 5*11-5RE	nsp
					C896		nsp	CER.CHIP 100pF-J/50V-1608	nsp
					J911		nsp	VIDEO - RESISTORS	
					J916		nsp	CHIP 0-J 1/16W-1608	nsp
					R838		nsp	CHIP 3.3K-J 1/16W-1608	nsp

NOTE : "nsp" PART IS LISTED FOR REFERENCE ONLY, MARANTZ WILL NOT SUPPLY THESE PARTS.

POS. NO	VERS. COLOR	PART NO. (FOR PCS)	DESCRIPTION	PART NO. (MJI)	POS. NO	VERS. COLOR	PART NO. (FOR PCS)	DESCRIPTION	PART NO. (MJI)
R843U	U	nsp	470-J 1/6W-52RE-AX	nsp				S-VIDEO CIRCUIT BOARD	
R844U	U	nsp	1M-J 1/6W-52RE-AX	nsp				S-VIDEO - CAPACITORS	
R864		nsp	1K-J 1/6W-52RE-AX	nsp	C801		nsp	ELECT 10µF/M/50V 5*11-5RE	nsp
R865		nsp	1K-J 1/6W-52RE-AX	nsp	C802		nsp	ELECT 470µF/M/6.3V 8*11.5-5	nsp
R871		nsp	CHIP 10K-J 1/16W-1608	nsp	C802N		nsp	CER.CHIP 47pF-J/50V-1608	nsp
R873		nsp	CHIP 47-J 1/16W-1608	nsp	C803		nsp	ELECT 10µF/M/50V 5*11-5RE	nsp
R874		nsp	1K-J 1/6W-52RE-AX	nsp	C803N		nsp	CER.CHIP 47pF-J/50V-1608	nsp
R875		nsp	CHIP 10K-J 1/16W-1608	nsp	C804		nsp	ELECT 470µF/M/6.3V 8*11.5-5	nsp
R876		nsp	CHIP 56-J 1/16W-1608	nsp	C804N		nsp	CER.CHIP 47pF-J/50V-1608	nsp
R877		nsp	CHIP 10K-J 1/16W-1608	nsp	C805		nsp	ELECT 470µF/M/6.3V 8*11.5-5	nsp
R878		nsp	CHIP 75-J 1/16W-1608	nsp	C805N		nsp	CER.CHIP 47pF-J/50V-1608	nsp
R879		nsp	CHIP 56-J 1/16W-1608	nsp	C806		nsp	ELECT 10µF/M/50V 5*11-5RE	nsp
R880		nsp	CHIP 75-J 1/16W-1608	nsp	C806N		nsp	CER.CHIP 47pF-J/50V-1608	nsp
R881		nsp	CHIP 75-J 1/16W-1608	nsp	C807		nsp	ELECT 4.7µF/M/50V 5*11	nsp
R882		nsp	CHIP 75-J 1/16W-1608	nsp	C807N		nsp	CER.CHIP 47pF-J/50V-1608	nsp
R883		nsp	2.2K-J 1/6W-52RE-AX	nsp	C808		nsp	ELECT 4.7µF/M/50V 5*11	nsp
R884		nsp	1-J 1/6W-52RE-AX	nsp	C809		nsp	ELECT 10µF/M/50V 5*11-5RE	nsp
R885		nsp	CHIP 2.2-J 1/16W-1608	nsp	C810		nsp	ELECT 10µF/M/50V 5*11-5RE	nsp
R886		nsp	CHIP 47K-J 1/16W-1608	nsp	C811		nsp	ELECT 10µF/M/50V 5*11-5RE	nsp
R889		nsp	33K-J 1/6W-52RE-AX	nsp	C812		nsp	ELECT 4.7µF/M/50V 5*11	nsp
R890		nsp	68-J 1/6W-52RE-AX	nsp	C813		nsp	ELECT 4.7µF/M/50V 5*11	nsp
R891		nsp	2.2K-J 1/6W-52RE-AX	nsp	C814		nsp	ELECT 10µF/M/50V 5*11-5RE	nsp
R897		nsp	CHIP 10K-J 1/16W-1608	nsp	C815		nsp	ELECT 10µF/M/50V 5*11-5RE	nsp
R899		nsp	1K-J 1/6W-52RE-AX	nsp	C816		nsp	ELECT 47µF/M/16V 5*11	nsp
			VIDEO - SEMICONDUCTORS		C817		nsp	CER.CHIP 0.01µF-Z/50V-1608	nsp
D870		4822 130 32778	DIODE 1SS133T-72-52MM	HD20015210	C818		nsp	CER. 0.01µF/M/16V-52RE	nsp
D871		9965 000 10747	DIODE CHIP KDS160	*HD201560R	C820		nsp	ELECT 47µF/M/16V 5*11	nsp
D872		4822 130 32778	DIODE 1SS133T-72-52MM	HD20015210	C821		nsp	CER.CHIP 0.01µF-Z/50V-1608	nsp
D873		4822 130 32778	DIODE 1SS133T-72-52MM	HD20015210	C822		nsp	ELECT 100µF/M/10V 5*11-5RE	nsp
D884		4822 130 32778	DIODE 1SS133T-72-52MM	HD20015210	C823		nsp	ELECT 10µF/M/50V 5*11-5RE	nsp
J902	K	nsp	JUMPER (0.6/52MM)	nsp	C824		nsp	CER. 0.01µF/M/16V-52RE	nsp
J904	K	nsp	JUMPER (0.6/52MM)	nsp	C825		nsp	ELECT 2.2µF/M/50V 5*11-5RE	nsp
J905	K	nsp	JUMPER (0.6/52MM)	nsp	C826		nsp	CER. 0.001µF/K/50V-52RE	nsp
IC805		4822 130 91429	IC M35010-001SP ON SCREEN DISP DIP20	*HC107310R	C827		nsp	ELECT 2.2µF/M/50V 5*11-5RE	nsp
IC806		9965 000 10990	IC BA7046 VIDEO SYNC DIP8	*HC107230R	C828		nsp	ELECT 10µF/M/50V 5*11-5RE	nsp
IC872		9965 000 03394	IC NJM2296M VIDEO SW SOP16	HC10210090	C829		nsp	ELECT 10µF/M/50V 5*11-5RE	nsp
IC874		4822 209 90218	IC BU4094BCF-E2 SHIFT RESISTOR SOP16	*HC400010R	C831		nsp	CER.CHIP 100pF-J/50V-1608	nsp
Q821		4822 130 60107	TRS.2SA933S 0.3W/T092M	*HT100610R	C832		nsp	ELECT 10µF/M/50V 5*11-5RE	nsp
Q822		9965 000 10445	TRS.2SC KTC2874B T092	*HT300880R	C833		nsp	CER.CHIP 0.01µF-Z/50V-1608	nsp
Q870		9965 000 10444	TRS. NPN RC KRC107M 0.4W/ T092M	*BA001190R	C834		nsp	ELECT 100µF/M/10V 5*11-5RE	nsp
Q871		4822 130 62787	TRS. PNP RB TR KRA107M	*BA000190R	C835		nsp	CER. 47pF-J/50V-52RE	nsp
			VIDEO - MISCELLANEOUS		C836		nsp	ELECT 1µF/M/50V 5*11-5RE	nsp
CN106		nsp	CN.WAFER 2.0MM TUC-P15X-B1 BD-TO-BD 15P HOUSING ST (35237-15)	nsp	C837		nsp	CER. 20pF-J/50V-5RE	nsp
CN105		nsp	CN.WAFER 2.0MM TUC-P09X-B1 BD-TO-BD 9P HOUSING ST (35237-09)	nsp	C838		nsp	CER.CHIP 100pF-J/50V-1608	nsp
CP301S		nsp	CN.WAFER 2.5MM5267-02A 2P	nsp	C839		nsp	ELECT 100µF/M/10V 5*11-5RE	nsp
CP301SV		nsp	CN.WAFER 2.0MM G1L-S-4P-S2T2-EF	nsp	C841A		nsp	CER.CHIP 0.01µF-Z/50V-1608	nsp
CP301V		nsp	CN.WAFER 2.0MM G1L-S-2P-S2T2-EF	nsp	C842		nsp	CER.CHIP 0.01µF-Z/50V-1608	nsp
XTAL801	U	nsp	CRYSTAL 14.31818MHZ HC49U-CL;18pF-S.BLK	*JX000780R	C842A		nsp	CER.CHIP 0.01µF-Z/50V-1608	nsp
XTAL802	K	nsp	CRYSTAL 17.734475MHZ HC/49U CL;18pF-S.BLK	*JX000790R	C843		nsp	CER. 20pF-J/50V-5RE	nsp
XTAL803	K	nsp	CRYSTAL 14.31818MHZ HC49U-CL;18pF-S.BLK	*JX000780R	C843A		nsp	CER. 22pF-J/50V-52RE	nsp
					C844		nsp	ELECT 100µF/M/10V 5*11-5RE	nsp
					C845		nsp	CER. 0.001µF/K/50V-52RE	nsp
					C845A		nsp	ELECT 47µF/M/25V 5*11-5RE	nsp
					C846		nsp	ELECT 1µF/M/50V 5*11-5RE	nsp
					C847		nsp	CER.CHIP 100pF-J/50V-1608	nsp
					C848		nsp	CER.CHIP 2200pF-K/50V-1608	nsp
					C849		nsp	ELECT 1µF/M/50V 5*11-5RE	nsp
					C849A		nsp	CER.CHIP 0.01µF-Z/50V-1608	nsp
					C850	K	nsp	CER. 22pF-J/50V-5RE	nsp
					C850A		nsp	CER.CHIP 0.01µF-Z/50V-1608	nsp
					C851	K	nsp	CER. 22pF-J/50V-5RE	nsp
					C852	K	nsp	CER. 22pF-J/50V-5RE	nsp
					C853	K	nsp	CER. 22pF-J/50V-5RE	nsp

NOTE : "nsp" PART IS LISTED FOR REFERENCE ONLY. MARANTZ WILL NOT SUPPLY THESE PARTS.

POS. NO	VERS. COLOR	PART NO. (FOR PCS)	DESCRIPTION	PART NO. (MJI)	POS. NO	VERS. COLOR	PART NO. (FOR PCS)	DESCRIPTION	PART NO. (MJI)
C854	K	nsp	CER. 0.01μF/M/16V-52RE	nsp	R859	K	nsp	4.7-J 1/6W-52RE-AX	nsp
C855	K	nsp	CER. 0.01μF/M/16V-52RE	nsp	R860	K	nsp	220-J 1/6W-52RE-AX	nsp
C858		nsp	CER.CHIP 100pF-J/50V-1608	nsp	R861		nsp	CHIP 220-J 1/16W-1608	nsp
C858A		nsp	CER.CHIP 47pF-J/50V-1608	nsp	R862		nsp	CHIP 220-J 1/16W-1608	nsp
C859		nsp	CER.CHIP 0.01μF-Z/50V-1608	nsp	R863		nsp	100-J 1/6W-52RE-AX	nsp
			S-VIDEO - RESISTORS					S-VIDEO- SEMICONDUCTORS	
J807		nsp	CHIP 0-J 1/16W-1608	nsp	D801		4822 130 32778	DIODE 1SS133T-72-52MM	HD20015210
J850					D801A		9965 000 10747	DIODE CHIP KDS160	*HD201560R
J		nsp	CHIP 0-J 1/16W-1608	nsp	D802				
J866					J		4822 130 32778	DIODE 1SS133T-72-52MM	HD20015210
J932		nsp	CHIP 0-J 1/16W-1608	nsp	D811				
					IC802		9965 000 03394	IC NJM2296M	HC10210090
R801					IC803		9965 000 03394	IC NJM2296M	HC10210090
J		nsp	CHIP 56-J 1/16W-1608	nsp	IC804		9965 000 10991	IC IC NJM2506-SOP16	*HC107270R
R806					IC807	KN	9965 000 10992	IC MC74HCU04AD	*HC700180R
R807								INVRTR SOP14	
J		nsp	CHIP 75-J 1/16W-1608	nsp	IC808	KN	9965 000 10993	IC GD74HC00D	*HC700310R
R814					Q801		9965 000 10444	TRS. NPN RC KRC107M 0.4W/	*BA001190R
R815		nsp	2.2-J 1/6W-52RE-AX	nsp				TO92M	
R816		nsp	1K-J 1/6W-52RE-AX	nsp	Q802		4822 130 60107	TRS.2SA 933S 0.3W/TO92M	*HT100610R
R816A		nsp	CHIP 1K-J 1/16W-1608	nsp	Q803		4822 130 62787	TRS. PNP RB TR KRA107M	*BA000190R
R817		nsp	1-J 1/6W-52RE-AX	nsp	Q804		4822 130 62787	TRS. PNP RB TR KRA107M	*BA000190R
R818		nsp	CHIP 2.2K-J 1/16W-1608	nsp	Q805		4822 130 62787	TRS. PNP RB TR KRA107M	*BA000190R
R819		nsp	47K-J 1/6W-52RE-AX	nsp	Q806		9965 000 10445	TRS.2SC KTC2874B TO92	*HT300880R
R819A		nsp	CHIP 68K-J 1/16W-1608	nsp	Q806A		9965 000 10445	TRS.2SC KTC2874B TO92	*HT300880R
R820		nsp	68-J 1/6W-52RE-AX	nsp	Q807		4822 130 60107	TRS.2SA 933S 0.3W/TO92M	*HT100610R
R820A		nsp	CHIP 68K-J 1/16W-1608	nsp	Q808		9965 000 10444	TRS. NPN RC KRC107M	*BA001190R
R822		nsp	22K-J 1/6W-52RE-AX	nsp				0.4W/TO92M	
R823		nsp	CHIP 33K-J 1/16W-1608	nsp	Q816		4822 130 60107	TRS.2SA 933S 0.3W/TO92M	*HT100610R
R824		nsp	75-J 1/6W-52RE-AX	nsp	Q851		9965 000 10994	TRS.2SC 2SC3199-GR /	*HT300890R
R825		nsp	CHIP 2.2K-J 1/16W-1608	nsp				KTC3199-GR BULK	
R826		nsp	CHIP 10K-J 1/16W-1608	nsp	Q852		4822 130 60107	TRS.2SA 933S 0.3W/TO92M	*HT100610R
R827		nsp	CHIP 33K-J 1/16W-1608	nsp	Q854		4822 130 60107	TRS.2SA 933S 0.3W/TO92M	*HT100610R
R828		nsp	CHIP 75-J 1/16W-1608	nsp					
R829		nsp	CHIP 2.2K-J 1/16W-1608	nsp					
R830		nsp	CHIP 10K-J 1/16W-1608	nsp	CN103		nsp	S-VIDEO - MISCELLANEOUS	
								CN.WAFER 2.0MM	nsp
R831		nsp	CHIP 10K-J 1/16W-1608	nsp				TUC-P09X-B1 BD-TO-BD	
R832		nsp	CHIP 2K-J 1/16W-1608	nsp				9P HOUSING ST (35237-09)	
R833		nsp	CHIP 10K-J 1/16W-1608	nsp	CN104		nsp	CN.WAFER 2.0MM	nsp
R834		nsp	CHIP 8.2K-J 1/16W-1608	nsp				35237-1310 13P	
R835		nsp	CHIP 68K-J 1/16W-1608	nsp	L801		nsp	COIL FILTER-INDUCTOR	nsp
R836		nsp	CHIP 75-J 1/16W-1608	nsp				22UH-Q40/17M-R3.4-52RE 02TB	
R837		nsp	CHIP 47K-J 1/16W-1608	nsp	L802		nsp	COIL FILTER-INDUCTOR	nsp
R839		nsp	CHIP 1K-J 1/16W-1608	nsp				22UH-Q40/17M-R3.4-52RE 02TB	
R840		nsp	CHIP 1K-J 1/16W-1608	nsp	L804		nsp	BEAD COIL	nsp
R841		nsp	CHIP 1K-J 1/16W-1608	nsp				BAS3580T0 3.5PHI*8 52RE	
R842		nsp	CHIP 100-J 1/16W-1608	nsp					
R845		nsp	2.2K-J 1/6W-52RE-AX	nsp				DSP CIRCUIT BOARD	
R846		nsp	CHIP 2.2K-J 1/16W-1608	nsp				DSP - CAPACITORS	
R847		nsp	CHIP 10K-J 1/16W-1608	nsp	C701		nsp	CER.CHIP 0.1μF-K/50V-1608	nsp
R848		nsp	330-J 1/6W-52RE-AX	nsp	C702		nsp	CER.CHIP 0.1μF-K/50V-1608	nsp
R849		nsp	CHIP 1M-J 1/16W-1608	nsp	C703		nsp	CER.CHIP 0.1μF-K/50V-1608	nsp
R849A		nsp	CHIP 3K-J 1/16W-1608	nsp	C705		nsp	CER.CHIP 0.1μF-K/50V-1608	nsp
R850		nsp	CHIP 150K-J 1/16W-1608	nsp	C706		nsp	ELECT 47μF-M/10V 5*11-5RE	nsp
R850A		nsp	CHIP 3.9K-J 1/16W-1608	nsp	C707		nsp	CER.CHIP 22pF-J/50V-1608	nsp
					C708		nsp	CER.CHIP 0.1μF-K/50V-1608	nsp
R851		nsp	470K-J 1/6W-52RE-AX	nsp	C709		nsp	ELECT 47μF-M/10V 5*11-5RE	nsp
R852		nsp	CHIP 33K-J 1/16W-1608	nsp	C710		nsp	CER.CHIP 22pF-J/50V-1608	nsp
R853		nsp	CHIP 470K-J 1/16W-1608	nsp	C711		nsp	CER.CHIP 22pF-J/50V-1608	nsp
R854	K	nsp	1M-J 1/6W-52RE-AX	nsp	C712		nsp	ELECT 47μF-M/10V 5*11-5RE	nsp
R855	K	nsp	470-J 1/6W-52RE-AX	nsp	C713		nsp	CER.CHIP 0.1μF-K/50V-1608	nsp
R856	K	nsp	1M-J 1/6W-52RE-AX	nsp	C718		nsp	CER.CHIP 22pF-J/50V-1608	nsp
R857	K	nsp	470-J 1/6W-52RE-AX	nsp	C719		nsp	ELECT 3.3μF-M/50V 5*11	nsp
R858	K	nsp	1K-J 1/6W-52RE-AX	nsp	C720		nsp	CER.CHIP 0.1μF-K/50V-1608	nsp

NOTE : "nsp" PART IS LISTED FOR REFERENCE ONLY, MARANTZ WILL NOT SUPPLY THESE PARTS.

POS. NO	VERS. COLOR	PART NO. (FOR PCS)	DESCRIPTION	PART NO. (MJI)	POS. NO	VERS. COLOR	PART NO. (FOR PCS)	DESCRIPTION	PART NO. (MJI)
C721		nsp	CER.CHIP 22pF-J/50V-1608	nsp	C785AFL		nsp	CER.CHIP 0.1μF-K/50V-1608	nsp
C722		nsp	CER.CHIP 22pF-J/50V-1608	nsp	C785AFR		nsp	CER.CHIP 0.1μF-K/50V-1608	nsp
C723		nsp	ELECT 3.3μF-M/50V 5*11	nsp	C786AFL		nsp	CER.CHIP 0.1μF-K/50V-1608	nsp
C724		nsp	CER.CHIP 0.1μF-K/50V-1608	nsp	C786AFR		nsp	CER.CHIP 0.1μF-K/50V-1608	nsp
C725		nsp	CER.CHIP 22pF-J/50V-1608	nsp	C787AFL		nsp	CER.CHIP 100pF-J/50V-1608	nsp
C726		nsp	ELECT 100μF-M/10V 5*11-5RE	nsp	C787AFR		nsp	CER.CHIP 100pF-J/50V-1608	nsp
C727		nsp	CER.CHIP 0.1μF-K/50V-1608	nsp	C788AFL		nsp	CER.CHIP 100pF-J/50V-1608	nsp
C728		nsp	CER.CHIP 0.1μF-K/50V-1608	nsp	C788AFR		nsp	CER.CHIP 100pF-J/50V-1608	nsp
C729		nsp	ELECT 100μF-M/10V 5*11-5RE	nsp	C789AFL		nsp	CER.CHIP 1000pF-K/50V-1608	nsp
C730		nsp	CER.CHIP 0.1μF-K/50V-1608	nsp	C789AFR		nsp	CER.CHIP 1000pF-K/50V-1608	nsp
C731		nsp	ELECT 1μF-M/50V 5*11-5RE	nsp	C790				
C732		nsp	ELECT 1μF-M/50V 5*11-5RE	nsp	5		nsp	CER.CHIP 0.1μF-K/50V-1608	nsp
C733		nsp	ELECT 10μF-M/50V 5*11-5RE	nsp	C794				
C734		nsp	CER.CHIP 0.1μF-K/50V-1608	nsp	C794C		nsp	ELECT 10μF-M/50V 5*11-5RE	nsp
C735		nsp	ELECT 100μF-M/10V 5*11-5RE	nsp	C794FL1		nsp	ELECT 10μF-M/50V 5*11-5RE	nsp
C736		nsp	CER.CHIP 0.1μF-K/50V-1608	nsp	C794FL2		nsp	ELECT 10μF-M/50V 5*11-5RE	nsp
C738		nsp	CER.CHIP 0.1μF-K/50V-1608	nsp	C794FR1		nsp	ELECT 10μF-M/50V 5*11-5RE	nsp
C739		nsp	CER.CHIP 0.1μF-K/50V-1608	nsp	C794FR2		nsp	ELECT 10μF-M/50V 5*11-5RE	nsp
C740		nsp	CER.CHIP 0.01μF-Z/50V-1608	nsp	C794SC		nsp	ELECT 10μF-M/50V 5*11-5RE	nsp
					C794SL		nsp	ELECT 10μF-M/50V 5*11-5RE	nsp
C741		nsp	CER.CHIP 0.1μF-K/50V-1608	nsp	C794SR		nsp	ELECT 10μF-M/50V 5*11-5RE	nsp
C742		nsp	CER.CHIP 0.01μF-Z/50V-1608	nsp	C794SW		nsp	ELECT 10μF-M/50V 5*11-5RE	nsp
C743		nsp	CER.CHIP 0.1μF-K/50V-1608	nsp					
C744		nsp	CER.CHIP 0.01μF-Z/50V-1608	nsp	C795		nsp	CER.CHIP 0.1μF-K/50V-1608	nsp
C745		nsp	CER.CHIP 0.1μF-K/50V-1608	nsp	C795C		nsp	CER.CHIP 2200pF-K/50V-1608	nsp
C746		nsp	ELECT 10μF-M/50V 5*11-5RE	nsp	C795SC		nsp	CER.CHIP 2200pF-K/50V-1608	nsp
C747		nsp	CER.CHIP 0.1μF-K/50V-1608	nsp	C795SL		nsp	CER.CHIP 2200pF-K/50V-1608	nsp
C748		nsp	CER.CHIP 27pF-J/50V-1608	nsp	C795SR		nsp	CER.CHIP 2200pF-K/50V-1608	nsp
C749		nsp	CER.CHIP 27pF-J/50V-1608	nsp	C795SW		nsp	FILM 0.15μF-K/63V-5RE	nsp
C750		nsp	CER.CHIP 1000pF-K/50V-1608	nsp	C796		nsp	CER.CHIP 0.1μF-K/50V-1608	nsp
C751		nsp	CER.CHIP 0.1μF-K/50V-1608	nsp	C796FL1		nsp	CER.CHIP 3300pF-K/50V-1608	nsp
C752		nsp	CER.CHIP 0.1μF-K/50V-1608	nsp	C796FL2		nsp	CER.CHIP 3300pF-K/50V-1608	nsp
C753		nsp	ELECT 100μF-M/10V 5*11-5RE	nsp	C796FR1		nsp	CER.CHIP 3300pF-K/50V-1608	nsp
C754		nsp	CER.CHIP 0.1μF-K/50V-1608	nsp	C796FR2		nsp	CER.CHIP 3300pF-K/50V-1608	nsp
C755		nsp	CER.CHIP 0.01μF-Z/50V-1608	nsp	C797		nsp	CER.CHIP 0.1μF-K/50V-1608	nsp
C756		nsp	CER.CHIP 0.01μF-Z/50V-1608	nsp	C797FL1		nsp	CER.CHIP 390pF-J/50V-1608	nsp
C757		nsp	ELECT 220μF-M/6.3V 6.3*11-5RE-SMS SY	nsp	C797FL2		nsp	CER.CHIP 390pF-J/50V-1608	nsp
					C797FR1		nsp	CER.CHIP 390pF-J/50V-1608	nsp
					C797FR2		nsp	CER.CHIP 390pF-J/50V-1608	nsp
C758		nsp	CER.CHIP 0.1μF-K/50V-1608	nsp					
C759		nsp	CER.CHIP 470pF-J/50V-1608	nsp	C798C		nsp	CER.CHIP 1500pF-K/50V-1608	nsp
C760		nsp	ELECT 47μF-M/10V 5*11-5RE	nsp	C798SC		nsp	CER.CHIP 1500pF-K/50V-1608	nsp
C761		nsp	CER.CHIP 0.1μF-K/50V-1608	nsp	C798SL		nsp	CER.CHIP 1500pF-K/50V-1608	nsp
C762		nsp	CER.CHIP 0.01μF-Z/50V-1608	nsp	C798SR		nsp	CER.CHIP 1500pF-K/50V-1608	nsp
C763		nsp	ELECT 2.2μF-M/50V 5*11-5RE	nsp	C798SW		nsp	FILM 0.018μF-K/63V-5RE	nsp
C764		nsp	CER.CHIP 0.1μF-K/50V-1608	nsp	C799C		nsp	ELECT 10μF-M/50V 5*11-5RE	nsp
C765		nsp	ELECT 1μF-M/50V 5*11-5RE	nsp	C799FL		nsp	ELECT 10μF-M/50V 5*11-5RE	nsp
C766		nsp	CER.CHIP 0.01μF-Z/50V-1608	nsp	C799FR		nsp	ELECT 10μF-M/50V 5*11-5RE	nsp
C767		nsp	CER.CHIP 0.01μF-Z/50V-1608	nsp	C799SC		nsp	ELECT 10μF-M/50V 5*11-5RE	nsp
C768		nsp	CER.CHIP 0.1μF-K/50V-1608	nsp	C799SL		nsp	ELECT 10μF-M/50V 5*11-5RE	nsp
C769		nsp	CER.CHIP 0.1μF-K/50V-1608	nsp	C799SR		nsp	ELECT 10μF-M/50V 5*11-5RE	nsp
C770		nsp	CER.CHIP 0.1μF-K/50V-1608	nsp	C799SW		nsp	ELECT 10μF-M/50V 5*11-5RE	nsp
C771		nsp	ELECT 1μF-M/50V 5*11-5RE	nsp	C800C		nsp	CER.CHIP 3300pF-K/50V-1608	nsp
C772		nsp	CER.CHIP 0.1μF-K/50V-1608	nsp	C800FL		nsp	CER.CHIP 1500pF-K/50V-1608	nsp
C773		nsp	ELECT 100μF-M/10V 5*11-5	nsp	C800FR		nsp	CER.CHIP 1500pF-K/50V-1608	nsp
C774		nsp	CER.CHIP 0.01μF-Z/50V-1608	nsp	C800SC		nsp	CER.CHIP 3300pF-K/50V-1608	nsp
					C800SL		nsp	CER.CHIP 3300pF-K/50V-1608	nsp
C775		nsp	CER.CHIP 0.1μF-K/50V-1608	nsp	C800SR		nsp	CER.CHIP 3300pF-K/50V-1608	nsp
C776		nsp	ELECT 100μF-M/10V 5*11-5RE	nsp	C800SW		nsp	CER.CHIP 3300pF-K/50V-1608	nsp
C777		nsp	CER.CHIP 0.1μF-K/50V-1608	nsp					
C778		nsp	ELECT 100μF-M/10V 5*11-5RE	nsp	C801		nsp	ELECT 100μF-M/10V 5*11-5RE	nsp
C779		nsp	CER.CHIP 0.1μF-K/50V-1608	nsp	C802		nsp	CER.CHIP 0.01μF-Z/50V-1608	nsp
C780		nsp	ELECT 1μF-M/50V 5*11-5RE	nsp	C803		nsp	ELECT 1μF-M/50V 5*11-5RE.SY	nsp
C782		nsp	ELECT 1μF-M/50V 5*11-5RE	nsp	C804		nsp	ELECT 10μF-M/50V 5*11-5RE	nsp
C783AFL		nsp	ELECT 10μF-M/50V 5*11-5RE	nsp	C866		nsp	ELECT 100μF-M/25V 6.3*11-5RE	nsp
C783AFR		nsp	ELECT 10μF-M/50V 5*11-5RE	nsp	C867		nsp	ELECT 100μF-M/25V 6.3*11-5RE	nsp
C784AFL		nsp	ELECT 10μF-M/50V 5*11-5RE	nsp					
C784AFR		nsp	ELECT 10μF-M/50V 5*11-5RE	nsp					

NOTE : "nsp" PART IS LISTED FOR REFERENCE ONLY. MARANTZ WILL NOT SUPPLY THESE PARTS.

POS. NO	VERS. COLOR	PART NO. (FOR PCS)	DESCRIPTION	PART NO. (MJI)	POS. NO	VERS. COLOR	PART NO. (FOR PCS)	DESCRIPTION	PART NO. (MJI)
C868		nsp	ELECT 10 μ F/M/50V 5*11-5RE	nsp	R772		nsp	CHIP 2.2K-J 1/16W-1608	nsp
C869		nsp	CER.CHIP 100pF-J/50V-1608	nsp	R772AFL		nsp	CHIP 2.4K-J 1/16W-1608	nsp
C870		nsp	CER.CHIP 1000pF-K/50V-1608	nsp	R772AFR		nsp	CHIP 2.4K-J 1/16W-1608	nsp
C873		nsp	CER.CHIP 150pF-J/50V-1608	nsp	R773AFL		nsp	CHIP 4.7K-J 1/16W-1608	nsp
C875		nsp	CER.CHIP 0.1 μ F-K/50V-1608	nsp	R773AFR		nsp	CHIP 4.7K-J 1/16W-1608	nsp
C876		nsp	CER.CHIP 27pF-J/50V-1608	nsp	R774AFL		nsp	CHIP 4.7K-J 1/16W-1608	nsp
C877		nsp	CER.CHIP 0.1 μ F-K/50V-1608	nsp	R774AFR		nsp	CHIP 4.7K-J 1/16W-1608	nsp
C878		nsp	CER.CHIP 0.1 μ F-K/50V-1608	nsp	R775AFL		nsp	CHIP 47K-J 1/16W-1608	nsp
C879		nsp	CER.CHIP 0.1 μ F-K/50V-1608	nsp	R775AFR		nsp	CHIP 47K-J 1/16W-1608	nsp
			DSP - RESISTORS		R776AFL		nsp	CHIP 4.7K-J 1/16W-1608	nsp
					R776AFR		nsp	CHIP 4.7K-J 1/16W-1608	nsp
R701		nsp	CHIP 4.7K-J 1/16W-1608	nsp	R777AFL		nsp	CHIP 5.6K-J 1/16W-1608	nsp
R702		nsp	CHIP 4.7K-J 1/16W-1608	nsp	R777AFR		nsp	CHIP 5.6K-J 1/16W-1608	nsp
R703		nsp	CHIP 4.7K-J 1/16W-1608	nsp	R778AFL		nsp	CHIP 10K-J 1/16W-1608	nsp
R709		nsp	CHIP 75-J 1/16W-1608	nsp	R778AFR		nsp	CHIP 10K-J 1/16W-1608	nsp
R710		nsp	CHIP 100-J 1/16W-1608	nsp	R779AFL		nsp	CHIP 330-J 1/16W-1608	nsp
R711		nsp	CHIP 10K-J 1/16W-1608	nsp	R779AFR		nsp	CHIP 330-J 1/16W-1608	nsp
R712		nsp	CHIP 100K-J 1/16W-1608	nsp	R780AFL		nsp	CHIP 10K-J 1/16W-1608	nsp
R713		nsp	CHIP 2.2K-J 1/16W-1608	nsp	R780AFR		nsp	CHIP 10K-J 1/16W-1608	nsp
R714		nsp	CHIP 75-J 1/16W-1608	nsp	R781AFL		nsp	CHIP 330-J 1/16W-1608	nsp
R715		nsp	CHIP 100-J 1/16W-1608	nsp	R781AFR		nsp	CHIP 330-J 1/16W-1608	nsp
R716		nsp	CHIP 10K-J 1/16W-1608	nsp	R782C		nsp	CHIP 1.5K-J 1/16W-1608	nsp
R717		nsp	CHIP 100K-J 1/16W-1608	nsp	R782SC		nsp	CHIP 1.5K-J 1/16W-1608	nsp
R718		nsp	CHIP 2.2K-J 1/16W-1608	nsp	R782SL		nsp	CHIP 1.5K-J 1/16W-1608	nsp
R719		nsp	CHIP 75-J 1/16W-1608	nsp	R782SR		nsp	CHIP 1.5K-J 1/16W-1608	nsp
R720		nsp	CHIP 180-J 1/16W-1608	nsp	R782SW		nsp	CHIP 1.5K-J 1/16W-1608	nsp
R721		nsp	CHIP 91-J 1/16W-1608	nsp				CHIP 4.7K-J 1/16W-1608	nsp
R722		nsp	CHIP 10K-J 1/16W-1608	nsp	R783FL1		nsp	CHIP 7.5K-J 1/16W-1608	nsp
R723		nsp	CHIP 10K-J 1/16W-1608	nsp	R783FL2		nsp	CHIP 7.5K-J 1/16W-1608	nsp
R724		nsp	CHIP 1M-J 1/16W-1608	nsp	R783FR1		nsp	CHIP 7.5K-J 1/16W-1608	nsp
R725		nsp	CHIP 33-J 1/16W-1608	nsp	R783FR2		nsp	CHIP 7.5K-J 1/16W-1608	nsp
R728		nsp	CHIP 75-J 1/16W-1608	nsp	R784FL1		nsp	CHIP 4.3K-J 1/16W-1608	nsp
R729		nsp	CHIP 5.1K-J 1/16W-1608	nsp	R784FL2		nsp	CHIP 4.3K-J 1/16W-1608	nsp
R730		nsp	CHIP 3K-J 1/16W-1608	nsp	R784FR1		nsp	CHIP 4.3K-J 1/16W-1608	nsp
R731		nsp	CHIP 3K-J 1/16W-1608	nsp	R784FR2		nsp	CHIP 4.3K-J 1/16W-1608	nsp
R732		nsp	CHIP 8.2K-J 1/16W-1608	nsp	R785FL1		nsp	CHIP 820-J 1/16W-1608	nsp
R733		nsp	CHIP 100-J 1/16W-1608	nsp	R785FL2		nsp	CHIP 820-J 1/16W-1608	nsp
R734		nsp	CHIP 10K-J 1/16W-1608	nsp	R785FR1		nsp	CHIP 820-J 1/16W-1608	nsp
R743		nsp	CHIP 33-J 1/16W-1608	nsp	R785FR2		nsp	CHIP 820-J 1/16W-1608	nsp
R744		nsp	CHIP 33-J 1/16W-1608	nsp	R786C		nsp	CHIP 1.5K-J 1/16W-1608	nsp
R745		nsp	CHIP 4.7K-J 1/16W-1608	nsp	R786SC		nsp	CHIP 1.5K-J 1/16W-1608	nsp
R748		nsp	CHIP 33-J 1/16W-1608	nsp	R786SL		nsp	CHIP 1.5K-J 1/16W-1608	nsp
R749		nsp	CHIP 4.7K-J 1/16W-1608	nsp	R786SR		nsp	CHIP 1.5K-J 1/16W-1608	nsp
R750		nsp	CHIP 4.7K-J 1/16W-1608	nsp	R786SW		nsp	CHIP 4.7K-J 1/16W-1608	nsp
R751		nsp	CHIP 33K-J 1/16W-1608	nsp	R787C		nsp	CHIP 2.7K-J 1/16W-1608	nsp
R752		nsp	CHIP 10K-J 1/16W-1608	nsp	R787SC		nsp	CHIP 2.7K-J 1/16W-1608	nsp
R753		nsp	CHIP 33-J 1/16W-1608	nsp	R787SL		nsp	CHIP 2.7K-J 1/16W-1608	nsp
R757		nsp	CHIP 10K-J 1/16W-1608	nsp	R787SR		nsp	CHIP 2.7K-J 1/16W-1608	nsp
R758		nsp	CHIP 4.7K-J 1/16W-1608	nsp	R787SW		nsp	CHIP 1.2K-J 1/16W-1608	nsp
R759		nsp	CHIP 4.7K-J 1/16W-1608	nsp	R788C		nsp	CHIP 3.3K-J 1/16W-1608	nsp
R760		nsp	CHIP 33-J 1/16W-1608	nsp	R788SC		nsp	CHIP 3.3K-J 1/16W-1608	nsp
R764		nsp	CHIP 33-J 1/16W-1608	nsp	R788SL		nsp	CHIP 3.3K-J 1/16W-1608	nsp
R765		nsp	CHIP 33K-J 1/16W-1608	nsp	R788SR		nsp	CHIP 3.3K-J 1/16W-1608	nsp
R766		nsp	CHIP 4.7K-J 1/16W-1608	nsp	R788SW		nsp	CHIP 9.1K-J 1/16W-1608	nsp
R768		nsp	CHIP 100-J 1/16W-1608	nsp	R790C		nsp	CHIP 180K-J 1/16W-1608	nsp
R769		nsp	CHIP 10K-J 1/16W-1608	nsp	R790FL		nsp	CHIP 15K-J 1/16W-1608	nsp
R770		nsp	CHIP 4.7K-J 1/16W-1608	nsp	R790FR		nsp	CHIP 15K-J 1/16W-1608	nsp
R770AFL		nsp	CHIP 6.2K-J 1/16W-1608	nsp	R790SC		nsp	CHIP 180K-J 1/16W-1608	nsp
R770AFR		nsp	CHIP 6.2K-J 1/16W-1608	nsp	R790SL		nsp	CHIP 180K-J 1/16W-1608	nsp
R771AFL		nsp	CHIP 4.7K-J 1/16W-1608	nsp	R790SR		nsp	CHIP 180K-J 1/16W-1608	nsp
R771AFR		nsp	CHIP 4.7K-J 1/16W-1608	nsp	R790SW		nsp	CHIP 100K-J 1/16W-1608	nsp
					R791C		nsp	CHIP 2.2K-J 1/16W-1608	nsp
					R791FL		nsp	CHIP 2.2K-J 1/16W-1608	nsp

NOTE : "nsp" PART IS LISTED FOR REFERENCE ONLY, MARANTZ WILL NOT SUPPLY THESE PARTS.

POS. NO	VERS. COLOR	PART NO. (FOR PCS)	DESCRIPTION	PART NO. (MJI)	POS. NO	VERS. COLOR	PART NO. (FOR PCS)	DESCRIPTION	PART NO. (MJI)
R791FR		nsp	CHIP 2.2K-J 1/16W-1608	nsp	IC718		9965 000 11001	IC MM74HCT244WMX SOP20 /	*HC700350R
R791SC		nsp	CHIP 2.2K-J 1/16W-1608	nsp				OCTAL 3STATE BUFFER	
R791SL		nsp	CHIP 2.2K-J 1/16W-1608	nsp	IC719		9965 000 11005	IC CS4228A-KS /	*HC107240R
R791SR		nsp	CHIP 2.2K-J 1/16W-1608	nsp				AD-DA SUR CODEC SSOP28	
R791SW		nsp	CHIP 2.2K-J 1/16W-1608	nsp	IC720		9965 000 11006	IC CS4391 TSSOP20 /	*HC107250R
R792		nsp	CHIP 470-J 1/16W-1608	nsp				DAC WITH VOLUME CTRL	
R793		nsp	CHIP 1M-J 1/16W-1608	nsp	IC721		9965 000 11007	IC SN74LV4040APWR	*HC700380R
R799C		nsp	CHIP 470-J 1/16W-1608	nsp				SOP(R-PDSO-G)16 (TI)	
R799FL		nsp	CHIP 1K-J 1/16W-1608	nsp	IC722				
R799FR		nsp	CHIP 1K-J 1/16W-1608	nsp	5	4822 209 17155	IC NJM2068M-SOP8P		HC10102090
R799SC		nsp	CHIP 470-J 1/16W-1608	nsp	IC725				
R799SL		nsp	CHIP 470-J 1/16W-1608	nsp	Q701C		9965 000 10744	TRS.2SC KTC2875B 0.15W/	*HT300870R
R799SR		nsp	CHIP 470-J 1/16W-1608	nsp				LOW-ON-RES SOT23(RTK)	
R799SW		nsp	CHIP 470-J 1/16W-1608	nsp	Q701FL		9965 000 10744	TRS.2SC KTC2875B 0.15W/	*HT300870R
R800		nsp	CHIP 20K-J 1/16W-1608	nsp				LOW-ON-RES SOT23(RTK)	
R801		nsp	CHIP 10K-J 1/16W-1608	nsp	Q701FR		9965 000 10744	TRS.2SC KTC2875B 0.15W/	*HT300870R
R802C		nsp	CHIP 100K-J 1/16W-1608	nsp				LOW-ON-RES SOT23(RTK)	
R802SC		nsp	CHIP 100K-J 1/16W-1608	nsp	Q701SC		9965 000 10744	TRS.2SC KTC2875B 0.15W/	*HT300870R
R802SL		nsp	CHIP 100K-J 1/16W-1608	nsp				LOW-ON-RES SOT23(RTK)	
R802SR		nsp	CHIP 100K-J 1/16W-1608	nsp	Q701SL		9965 000 10744	TRS.2SC KTC2875B 0.15W/	*HT300870R
R802SW		nsp	CHIP 100K-J 1/16W-1608	nsp				LOW-ON-RES SOT23(RTK)	
R803					Q701SR		9965 000 10744	TRS.2SC KTC2875B 0.15W/	*HT300870R
5		nsp	CHIP 33-J 1/16W-1608	nsp				LOW-ON-RES SOT23(RTK)	
R815					Q701SW		9965 000 10744	TRS.2SC KTC2875B 0.15W/	*HT300870R
R816								LOW-ON-RES SOT23(RTK)	
5		nsp	CHIP 1K-J 1/16W-1608	nsp	Q702AFL		9965 000 10744	TRS.2SC KTC2875B 0.15W/	*HT300870R
R820								LOW-ON-RES SOT23(RTK)	
R821					Q702AFR		9965 000 10744	TRS.2SC KTC2875B 0.15W/	*HT300870R
5		nsp	CHIP 2.2K-J 1/16W-1608	nsp				LOW-ON-RES SOT23(RTK)	
R824					Q703		9965 000 10745	TRS.2SA KRA102S CHIP	*BA001230R
R825		nsp	CHIP 33-J 1/16W-1608	nsp	Q704		9965 000 10753	TRS.2SC KRC102S CHIP	*BA001220R
R826		nsp	CHIP 33-J 1/16W-1608	nsp	Q705				
R828		nsp	CHIP,1K-J 1/16W-1608	nsp			9965 000 10745	TRS.2SA KRA102S CHIP	*BA001230R
R838		nsp	CHIP 470K-J 1/16W-1608	nsp	Q711				
					Q712		9965 000 10744	TRS.2SC KTC2875B 0.15W/	*HT300870R
								LOW-ON-RES SOT23(RTK)	
					Q712C		9965 000 10744	TRS.2SC KTC2875B 0.15W/	*HT300870R
								LOW-ON-RES SOT23(RTK)	
D702					Q712SC		9965 000 10744	TRS.2SC KTC2875B 0.15W/	*HT300870R
5		9965 000 10747	DIODE CHIP KDS160	*HD201560R				LOW-ON-RES SOT23(RTK)	
D707					Q712SL		9965 000 10744	TRS.2SC KTC2875B 0.15W/	*HT300870R
IC701		9965 000 10995	IC 74VHCU04 SOP14 /	*HC700300R				LOW-ON-RES SOT23(RTK)	
			HEX INVERTER		Q712SR		9965 000 10744	TRS.2SC KTC2875B 0.15W/	*HT300870R
IC702		9965 000 10996	IC MM74HC151MX SOP16 /	*HC700330R				LOW-ON-RES SOT23(RTK)	
			8CH DIGITAL MULTIPLEXER						
IC703		4822 209 14825	IC BA4510F-T1/SOP	HC10159210					
IC704		4822 209 14825	IC BA4510F-T1/SOP	HC10159210					
IC705		4822 209 31631	IC NJM7805FA	HC3890509F	CB702				
			16W-T0220F MOLD		5	nsp	BEAD COIL CHIP HB-IT2012-	nsp	
IC706		9965 000 10997	IC RC1117S33ST SOT223 3.3V	*HC900020R	CB708		121JT(CERATEC)2012		
			1AMP(NO DROP)		CN111	nsp	CN.WAFER 2.0MM	nsp	
IC707		9965 000 10998	IC M27W201-80B6 2M	*HC107300R			TUC-P12X-B1 BD-TO-BD		
			80NANO PDIP32				12P HOUSING ST (35237-10)		
IC708		9965 000 10999	IC MM74LCX574WMX SOP20 /	*HC700360R	CN112	nsp	CN.WAFER 2.0MM	nsp	
			LOWVOLT DUAL FLIP-FLOP				TUC-P15X-B1 BD-TO-BD		
IC709		9965 000 10999	IC MM74LCX574WMX SOP20 /	*HC700360R			5P HOUSING ST (35237-15)		
			LOWVOLT DUAL FLIP-FLOP		CN113	nsp	CN.WAFER 2.0MM	nsp	
IC710		9965 000 06294	IC LC89055W(ES4)	HC10405030			TUC-P18X-B1 BD-TO-BD		
IC711		9965 000 11000	IC SN74LV00APW	*HC700370R			18P HOUSING ST (35237-18)		
IC712		9965 000 11001	IC MM74HCT244WMX SOP20 /	*HC700350R	FB701C	nsp	BEAD COIL BRS3550T0	nsp	
			OCTAL 3STATE BUFFER				3.5PHI*5 R.(5MM)		
IC713		9965 000 11002	IC MM74HC125MX SOP14 /	*HC700320R	FB701FL	nsp	BEAD COIL BRS3550T0	nsp	
			QUARD BUFFER				3.5PHI*5 R.(5MM)		
IC715		9965 000 10589	IC CS49326-CL MUL TI-CH	*HC107260R	FB701FR	nsp	BEAD COIL BRS3550T0	nsp	
			DECODER(DOLBY/DTS)				3.5PHI*5 R.(5MM)		
			PLCC44		FB701SC	nsp	BEAD COIL BRS3550T0	nsp	
IC716		9965 000 11003	IC RC1117S25T SOT223	*HC900010R			3.5PHI*5 R.(5MM)		
			2.5V 1AMP(NO DROP)		FB701SL	nsp	BEAD COIL BRS3550T0	nsp	
IC717		9965 000 11004	IC MM74HC244WMX SOIC20 /	*HC700340R			3.5PHI*5 R.(5MM)		
			OCTAL 3STATE BUFFER						

NOTE : "nsp" PART IS LISTED FOR REFERENCE ONLY. MARANTZ WILL NOT SUPPLY THESE PARTS.

POS. NO	VERS. COLOR	PART NO. (FOR PCS)	DESCRIPTION	PART NO. (MJI)	POS. NO	VERS. COLOR	PART NO. (FOR PCS)	DESCRIPTION	PART NO. (MJI)
			VOLUME CIRCUIT BOARD		C571SL		nsp	ELECT 4.7μF/M/16V 5*11	nsp
			VOLUME-CAPACITORS		C571SR		nsp	ELECT 4.7μF/M/16V 5*11	nsp
C503FL		nsp	CER.CHIP 100pF-J/50V-1608	nsp	C571SW		nsp	ELECT 4.7μF/M/16V 5*11	nsp
C505C		nsp	ELECT 0.1μF/M/50V 5*11-5RE	nsp	C576		nsp	CER.CHIP 100pF-J/50V-1608	nsp
C505F		nsp	ELECT 0.1μF/M/50V 5*11-5RE	nsp	C577		nsp	CER.CHIP 100pF-J/50V-1608	nsp
C505S		nsp	ELECT 0.1μF/M/50V 5*11-5RE	nsp	C584		nsp	CER.CHIP 100pF-J/50V-1608	nsp
C505SC		nsp	ELECT 0.1μF/M/50V 5*11-5RE	nsp	C585		nsp	CER.CHIP 0.1μF-Z/50V-1608	nsp
C505SW		nsp	ELECT 0.1μF/M/50V 5*11-5RE	nsp	C586		nsp	CER.CHIP 0.1μF-Z/50V-1608	nsp
C515C		nsp	CER.CHIP 100pF-J/50V-1608	nsp	C587		nsp	ELECT 10μF/M/50V 5*11-5RE	nsp
C515FL		nsp	CER.CHIP 100pF-J/50V-1608	nsp	C588		nsp	ELECT 10μF/M/50V 5*11-5RE	nsp
C515FR		nsp	CER.CHIP 100pF-J/50V-1608	nsp	C589		nsp	ELECT 47μF/M/50V 6.3*11-5RE	nsp
C515SC		nsp	CER.CHIP 100pF-J/50V-1608	nsp	C590		nsp	ELECT 47μF/M/50V 6.3*11-5RE	nsp
C515SL		nsp	CER.CHIP 100pF-J/50V-1608	nsp	C591		nsp	CER.CHIP 47pF-J/50V-1608	nsp
C515SR		nsp	CER.CHIP 100pF-J/50V-1608	nsp	C592		nsp	CER.CHIP 47pF-J/50V-1608	nsp
C515SW		nsp	CER.CHIP 100pF-J/50V-1608	nsp	C593		nsp	CER.CHIP 0.1μF-Z/50V-1608	nsp
C528C		nsp	ELECT 2.2μF/M/50V 5*11	nsp	C594		nsp	CER.CHIP 0.1μF-Z/50V-1608	nsp
C528FL		nsp	ELECT 2.2μF/M/50V 5*11	nsp	C595		nsp	CER.CHIP 47pF-J/50V-1608	nsp
C528FR		nsp	ELECT 2.2μF/M/50V 5*11	nsp	C596		nsp	ELECT 10μF/M/50V 5*11-5RE	nsp
C528SC		nsp	ELECT 2.2μF/M/50V 5*11	nsp	C599		nsp	ELECT 10μF/M/50V 5*11-5RE	nsp
C528SL		nsp	ELECT 2.2μF/M/50V 5*11	nsp	C600		nsp	ELECT 10μF/M/50V 5*11-5RE	nsp
C528SR		nsp	ELECT 2.2μF/M/50V 5*11	nsp	C601		nsp	CER.CHIP 0.1μF-Z/50V-1608	nsp
C528SW		nsp	ELECT 4.7μF/M/16V 5*11	nsp				VOLUME - RESISTORS	
C533C		nsp	CER.CHIP 100pF-J/50V-1608	nsp	R501		nsp	CHIP 560-J 1/16W-1608	nsp
C533FL		nsp	CER.CHIP 100pF-J/50V-1608	nsp	R502		nsp	CHIP 560-J 1/16W-1608	nsp
C533FR		nsp	CER.CHIP 100pF-J/50V-1608	nsp	R502C		nsp	CHIP,100K-J 1/16W-1608	nsp
C533SC		nsp	CER.CHIP 100pF-J/50V-1608	nsp	R502FL		nsp	CHIP,100K-J 1/16W-1608	nsp
C533SL		nsp	CER.CHIP 100pF-J/50V-1608	nsp	R502FR		nsp	CHIP,100K-J 1/16W-1608	nsp
C533SR		nsp	CER.CHIP 100pF-J/50V-1608	nsp	R502SC		nsp	CHIP,100K-J 1/16W-1608	nsp
C533SW		nsp	CER.CHIP 1200pF-K/50V-1608	nsp	R502SL		nsp	CHIP,100K-J 1/16W-1608	nsp
C541C		nsp	CER.CHIP 100pF-J/50V-1608	nsp	R502SR		nsp	CHIP,100K-J 1/16W-1608	nsp
C541FL		nsp	CER.CHIP 100pF-J/50V-1608	nsp	R502SW		nsp	CHIP,100K-J 1/16W-1608	nsp
C541FR		nsp	CER.CHIP 100pF-J/50V-1608	nsp	R503		nsp	4.7-J 1/6W-52RE-AX	nsp
C541SC		nsp	CER.CHIP 100pF-J/50V-1608	nsp	R504		nsp	4.7-J 1/6W-52RE-AX	nsp
C541SL		nsp	CER.CHIP 100pF-J/50V-1608	nsp	R507C		nsp	CHIP 1K-J 1/16W-1608	nsp
C541SR		nsp	CER.CHIP 100pF-J/50V-1608	nsp	R507FL		nsp	CHIP 1K-J 1/16W-1608	nsp
C541SW		nsp	CER.CHIP 100pF-J/50V-1608	nsp	R507FR		nsp	CHIP 1K-J 1/16W-1608	nsp
C543		nsp	CER.CHIP 0.1μF-Z/50V-1608	nsp	R507SC		nsp	CHIP 1K-J 1/16W-1608	nsp
C544		nsp	CER.CHIP 0.1μF-Z/50V-1608	nsp	R507SL		nsp	CHIP 1K-J 1/16W-1608	nsp
C545A		nsp	CER.CHIP 1000pF-K/50V-1608	nsp	R507SR		nsp	CHIP 1K-J 1/16W-1608	nsp
C545C		nsp	ELECT 4.7μF/M/16V 5*11	nsp	R507SW		nsp	CHIP 1K-J 1/16W-1608	nsp
C545FL		nsp	ELECT 4.7μF/M/16V 5*11	nsp					
C545FR		nsp	ELECT 4.7μF/M/16V 5*11	nsp	R512C		nsp	CHIP 220-J 1/16W-1608	nsp
C545SC		nsp	ELECT 4.7μF/M/16V 5*11	nsp	R512FL		nsp	CHIP 1K-J 1/16W-1608	nsp
C545SL		nsp	ELECT 4.7μF/M/16V 5*11	nsp	R512FR		nsp	CHIP 1K-J 1/16W-1608	nsp
C545SR		nsp	ELECT 4.7μF/M/16V 5*11	nsp	R512SC		nsp	CHIP 220-J 1/16W-1608	nsp
C545SW		nsp	ELECT 4.7μF/M/16V 5*11	nsp	R512SL		nsp	CHIP 220-J 1/16W-1608	nsp
C546A		nsp	CER.CHIP 1000pF-K/50V-1608	nsp	R512SR		nsp	CHIP 220-J 1/16W-1608	nsp
C552		nsp	CER.CHIP 0.1μF-Z/50V-1608	nsp	R512SW		nsp	CHIP 220-J 1/16W-1608	nsp
C556		nsp	ELECT 47μF/M/25V 5*11-5RE	nsp	R515		nsp	CHIP 10K-J 1/16W-1608	nsp
C557		nsp	ELECT 47μF/M/25V 5*11-5RE	nsp	R516C		nsp	CHIP 470K-J 1/16W-1608	nsp
C560		nsp	CER.CHIP 0.1μF-Z/50V-1608	nsp	R516FL		nsp	CHIP 100K-J 1/16W-1608	nsp
C561		nsp	CER.CHIP 0.1μF-Z/50V-1608	nsp	R516FR		nsp	CHIP 100K-J 1/16W-1608	nsp
C564		nsp	ELECT 47μF/M/25V 5*11-5RE	nsp	R516SC		nsp	CHIP 470K-J 1/16W-1608	nsp
C565		nsp	ELECT 47μF/M/25V 5*11-5RE	nsp	R516SL		nsp	CHIP 470K-J 1/16W-1608	nsp
C566		nsp	CER.CHIP 0.1μF-Z/50V-1608	nsp	R516SR		nsp	CHIP 470K-J 1/16W-1608	nsp
C567		nsp	CER.CHIP 0.1μF-Z/50V-1608	nsp	R516SW		nsp	CHIP 1.5K-J 1/16W-1608	nsp
C568		nsp	ELECT 4.7μF/M/16V 5*11	nsp	R525		nsp	CHIP 10K-J 1/16W-1608	nsp
C571C		nsp	ELECT 4.7μF/M/16V 5*11	nsp	R530		nsp	CHIP 22K-J 1/16W-1608	nsp
C571FL		nsp	ELECT 4.7μF/M/16V 5*11	nsp	R532		nsp	470-J 1/6W-52RE-AX	nsp
C571FR		nsp	ELECT 4.7μF/M/16V 5*11	nsp	R536C		nsp	CHIP 470-J 1/16W-1608	nsp
C571SC		nsp	ELECT 4.7μF/M/16V 5*11	nsp	R536FL		nsp	CHIP 470-J 1/16W-1608	nsp
					R536FR		nsp	CHIP 470-J 1/16W-1608	nsp
					R536SC		nsp	CHIP 470-J 1/16W-1608	nsp

NOTE : "nsp" PART IS LISTED FOR REFERENCE ONLY, MARANTZ WILL NOT SUPPLY THESE PARTS.

POS. NO	VERS. COLOR	PART NO. (FOR PCS)	DESCRIPTION	PART NO. (MJI)	POS. NO	VERS. COLOR	PART NO. (FOR PCS)	DESCRIPTION	PART NO. (MJI)
R203SC		nsp	15-J 1/6W-52RE-AX	nsp	R214C		nsp	560-J 1/6W-52RE-AX	nsp
R203SL		nsp	15-J 1/6W-52RE-AX	nsp	R214L		nsp	560-J 1/6W-52RE-AX	nsp
R203SR		nsp	15-J 1/6W-52RE-AX	nsp	R214R		nsp	560-J 1/6W-52RE-AX	nsp
R204C		nsp	15-J 1/6W-52RE-AX	nsp	R214SC		nsp	560-J 1/6W-52RE-AX	nsp
R204L		nsp	15-J 1/6W-52RE-AX	nsp	R214SL		nsp	560-J 1/6W-52RE-AX	nsp
R204R		nsp	15-J 1/6W-52RE-AX	nsp	R214SR		nsp	560-J 1/6W-52RE-AX	nsp
R204SC		nsp	15-J 1/6W-52RE-AX	nsp	R216C		nsp	560-J 1/6W-52RE-AX	nsp
R204SL		nsp	15-J 1/6W-52RE-AX	nsp	R216L		nsp	560-J 1/6W-52RE-AX	nsp
R204SR		nsp	15-J 1/6W-52RE-AX	nsp	R216R		nsp	560-J 1/6W-52RE-AX	nsp
R205C		nsp	750-J 1/6W-52RE-AX	nsp	R216SC		nsp	560-J 1/6W-52RE-AX	nsp
R205L		nsp	750-J 1/6W-52RE-AX	nsp	R216SL		nsp	560-J 1/6W-52RE-AX	nsp
R205R		nsp	750-J 1/6W-52RE-AX	nsp	R216SR		nsp	560-J 1/6W-52RE-AX	nsp
R205SC		nsp	750-J 1/6W-52RE-AX	nsp					
R205SL		nsp	750-J 1/6W-52RE-AX	nsp	R217C		nsp	560-J 1/6W-52RE-AX	nsp
R205SR		nsp	750-J 1/6W-52RE-AX	nsp	R217L		nsp	560-J 1/6W-52RE-AX	nsp
					R217R		nsp	560-J 1/6W-52RE-AX	nsp
R206C		nsp	750-J 1/6W-52RE-AX	nsp	R217SC		nsp	560-J 1/6W-52RE-AX	nsp
R206L		nsp	750-J 1/6W-52RE-AX	nsp	R217SL		nsp	560-J 1/6W-52RE-AX	nsp
R206R		nsp	750-J 1/6W-52RE-AX	nsp	R217SR		nsp	560-J 1/6W-52RE-AX	nsp
R206SC		nsp	750-J 1/6W-52RE-AX	nsp	R218C		nsp	560-J 1/6W-52RE-AX	nsp
R206SL		nsp	750-J 1/6W-52RE-AX	nsp	R218L		nsp	560-J 1/6W-52RE-AX	nsp
R206SR		nsp	750-J 1/6W-52RE-AX	nsp	R218R		nsp	560-J 1/6W-52RE-AX	nsp
R207C		nsp	470-J 1/6W-52RE-AX	nsp	R218SC		nsp	560-J 1/6W-52RE-AX	nsp
R207L		nsp	470-J 1/6W-52RE-AX	nsp	R218SL		nsp	560-J 1/6W-52RE-AX	nsp
R207R		nsp	470-J 1/6W-52RE-AX	nsp	R218SR		nsp	560-J 1/6W-52RE-AX	nsp
R207SC		nsp	470-J 1/6W-52RE-AX	nsp	R219C		nsp	560-J 1/6W-52RE-AX	nsp
R207SL		nsp	470-J 1/6W-52RE-AX	nsp	R219L		nsp	560-J 1/6W-52RE-AX	nsp
R207SR		nsp	470-J 1/6W-52RE-AX	nsp	R219R		nsp	560-J 1/6W-52RE-AX	nsp
R208C		nsp	68-J 1/6W-52RE-AX	nsp	R219SC		nsp	560-J 1/6W-52RE-AX	nsp
R208L		nsp	68-J 1/6W-52RE-AX	nsp	R219SL		nsp	560-J 1/6W-52RE-AX	nsp
R208R		nsp	68-J 1/6W-52RE-AX	nsp	R219SR		nsp	560-J 1/6W-52RE-AX	nsp
R208SC		nsp	68-J 1/6W-52RE-AX	nsp					
R208SL		nsp	68-J 1/6W-52RE-AX	nsp	R220C		nsp	560-J 1/6W-52RE-AX	nsp
R208SR		nsp	68-J 1/6W-52RE-AX	nsp	R220L		nsp	560-J 1/6W-52RE-AX	nsp
					R220R		nsp	560-J 1/6W-52RE-AX	nsp
R209C		nsp	150-J 1/6W-52RE-AX	nsp	R220SC		nsp	560-J 1/6W-52RE-AX	nsp
R209L		nsp	150-J 1/6W-52RE-AX	nsp	R220SL		nsp	560-J 1/6W-52RE-AX	nsp
R209R		nsp	150-J 1/6W-52RE-AX	nsp	R220SR		nsp	560-J 1/6W-52RE-AX	nsp
R209SC		nsp	150-J 1/6W-52RE-AX	nsp	R221C		nsp	82-J 1/6W-52RE-AX	nsp
R209SL		nsp	150-J 1/6W-52RE-AX	nsp	R221L		nsp	82-J 1/6W-52RE-AX	nsp
R209SR		nsp	150-J 1/6W-52RE-AX	nsp	R221R		nsp	82-J 1/6W-52RE-AX	nsp
R210C		nsp	10K-J 1/6W-52RE-AX	nsp	R221SC		nsp	82-J 1/6W-52RE-AX	nsp
R210L		nsp	10K-J 1/6W-52RE-AX	nsp	R221SL		nsp	82-J 1/6W-52RE-AX	nsp
R210R		nsp	10K-J 1/6W-52RE-AX	nsp	R221SR		nsp	82-J 1/6W-52RE-AX	nsp
R210SC		nsp	10K-J 1/6W-52RE-AX	nsp	R222C		nsp	82-J 1/6W-52RE-AX	nsp
R210SL		nsp	10K-J 1/6W-52RE-AX	nsp	R222L		nsp	82-J 1/6W-52RE-AX	nsp
R210SR		nsp	10K-J 1/6W-52RE-AX	nsp	R222R		nsp	82-J 1/6W-52RE-AX	nsp
R211C		nsp	43K-J 1/6W-52RE-AX	nsp	R222SC		nsp	82-J 1/6W-52RE-AX	nsp
R211L		nsp	43K-J 1/6W-52RE-AX	nsp	R222SL		nsp	82-J 1/6W-52RE-AX	nsp
R211R		nsp	43K-J 1/6W-52RE-AX	nsp	R222SR		nsp	82-J 1/6W-52RE-AX	nsp
R211SC		nsp	43K-J 1/6W-52RE-AX	nsp					
R211SL		nsp	43K-J 1/6W-52RE-AX	nsp	R223C		nsp	22K-J 1/6W-52RE-AX	nsp
R211SR		nsp	43K-J 1/6W-52RE-AX	nsp	R223L		nsp	22K-J 1/6W-52RE-AX	nsp
					R223R		nsp	22K-J 1/6W-52RE-AX	nsp
R212C		nsp	1.3K-J 1/6W-52RE-AX	nsp	R223SC		nsp	22K-J 1/6W-52RE-AX	nsp
R212L		nsp	1.3K-J 1/6W-52RE-AX	nsp	R223SL		nsp	22K-J 1/6W-52RE-AX	nsp
R212R		nsp	1.3K-J 1/6W-52RE-AX	nsp	R223SR		nsp	22K-J 1/6W-52RE-AX	nsp
R212SC		nsp	1.3K-J 1/6W-52RE-AX	nsp	R224C		nsp	22K-J 1/6W-52RE-AX	nsp
R212SL		nsp	1.3K-J 1/6W-52RE-AX	nsp	R224L		nsp	22K-J 1/6W-52RE-AX	nsp
R212SR		nsp	1.3K-J 1/6W-52RE-AX	nsp	R224R		nsp	22K-J 1/6W-52RE-AX	nsp
R213C		nsp	33K-J 1/6W-52RE-AX	nsp	R224SC		nsp	22K-J 1/6W-52RE-AX	nsp
R213L		nsp	33K-J 1/6W-52RE-AX	nsp	R224SL		nsp	22K-J 1/6W-52RE-AX	nsp
R213R		nsp	33K-J 1/6W-52RE-AX	nsp	R224SR		nsp	22K-J 1/6W-52RE-AX	nsp
R213SC		nsp	33K-J 1/6W-52RE-AX	nsp	R225C		nsp	4.7-J 1/6W-52RE-AX	nsp
R213SL		nsp	33K-J 1/6W-52RE-AX	nsp	R225L		nsp	4.7-J 1/6W-52RE-AX	nsp
R213SR		nsp	33K-J 1/6W-52RE-AX	nsp	R225R		nsp	4.7-J 1/6W-52RE-AX	nsp

NOTE : "nsp" PART IS LISTED FOR REFERENCE ONLY. MARANTZ WILL NOT SUPPLY THESE PARTS.

POS. NO	VERS. COLOR	PART NO. (FOR PCS)	DESCRIPTION	PART NO. (MJI)	POS. NO	VERS. COLOR	PART NO. (FOR PCS)	DESCRIPTION	PART NO. (MJI)
Q208L		4822 130 43012	TRS.2SA KTA1024Y 1W/T092L	HT112082A0	C118		nsp	ELECT 2200μF/M/16V 12.5*20	nsp
Q208R		4822 130 43012	TRS.2SA KTA1024Y 1W/T092L	HT112082A0	C119	SR5200	9965 000 11011	ELECT 10000μF/M/63V	*OA000050R
Q208SC		4822 130 43012	TRS.2SA KTA1024Y 1W/T092L	HT112082A0				30*50 DL-BLK SH	
Q208SL		4822 130 43012	TRS.2SA KTA1024Y 1W/T092L	HT112082A0	C119	SR6200	9965 000 11062	ELECT 15000μF/M/71V	*EA001110R
Q208SR		4822 130 43012	TRS.2SA KTA1024Y 1W/T092L	HT112082A0				(DL) 40*80	
Q209C		4822 130 43225	TRS.2SC KTC3206Y 1W/T092L	HT322292A0	C120	SR5200	9965 000 11011	ELECT 10000μF/M/63V	*OA000050R
Q209L		4822 130 43225	TRS.2SC KTC3206Y 1W/T092L	HT322292A0				30*50 DL-BLK SH	
Q209R		4822 130 43225	TRS.2SC KTC3206Y 1W/T092L	HT322292A0	C120	SR6200	9965 000 11062	ELECT 15000μF/M/71V	*EA001110R
Q209SC		4822 130 43225	TRS.2SC KTC3206Y 1W/T092L	HT322292A0				(DL) 40*80	
Q209SL		4822 130 43225	TRS.2SC KTC3206Y 1W/T092L	HT322292A0	C121		nsp	ELECT 10μF/M/50V 5*11-5RE	nsp
Q209SR		4822 130 43225	TRS.2SC KTC3206Y 1W/T092L	HT322292A0	C122		nsp	FILM 0.1μF-K/250V-5RE	nsp
Q215C		9965 000 10750	TRS.2SC KSC1845F 0.5W/T092	*HT300860R	C123		nsp	FILM 0.1μF-K/250V-5RE	nsp
Q215L		9965 000 10750	TRS.2SC KSC1845F 0.5W/T092	*HT300860R	C124		nsp	CER. 0.01μF-K/50V-5RE	nsp
Q215R		9965 000 10750	TRS.2SC KSC1845F 0.5W/T092	*HT300860R	C125		nsp	ELECT 1μF/M/50V 5*11-5RE	nsp
Q215SC		9965 000 10750	TRS.2SC KSC1845F 0.5W/T092	*HT300860R					
Q215SL		9965 000 10750	TRS.2SC KSC1845F 0.5W/T092	*HT300860R	C129		nsp	ELECT 100μF/M/25V	nsp
Q215SR		9965 000 10750	TRS.2SC KSC1845F 0.5W/T092	*HT300860R	C132		nsp	6.3*11-5RE.SY	nsp
			AMP - MISCELLANEOUS		C135		nsp	CER. F0.1μF-Z/50V-52RE	nsp
CP201		nsp	CN.WAFER 2.0MM	nsp	C140		nsp	ELECT 4.7μF/M/50V 5*11	nsp
			GIL-S-12P-S2T2-EF		C141		nsp	ELECT 220μF/M/25V 8*11.5-5	nsp
CP202		nsp	CN WIRE 80MM/	nsp	C142		nsp	ELECT 220μF/M/25V 8*11.5-5	nsp
			9P 5264-09=5395-09		C143		nsp	CER. F0.1μF-Z/50V-52RE	nsp
			RD1007#20 2.5MM		C144		nsp	CER. F0.1μF-Z/50V-52RE	nsp
CP203		nsp	CN WIRE 80MM/	nsp	C145		9965 000 11012	ELECT 10μF/M/100V 6.3*11-5RE	*EA001080R
			10P 5264-10=5395-10		C147		nsp	CER. F0.1μF-Z/50V-52RE	nsp
			RD1007#20 2.5MM		C148		nsp	CER. F0.1μF-Z/50V-52RE	nsp
L201C		9965 000 10748	COIL FILTER-INDUCTOR	*LC106490R	C149		nsp	ELECT 4.7μF/M/50V 5*11	nsp
			J9000031		C150		nsp	ELECT 47μF/M/16V 5*11-5RE	nsp
L201L		9965 000 10748	COIL FILTER-INDUCTOR	*LC106490R	C151		9965 000 11013	ELECT 8200μF/M/5.5V SY	*EX000080R
			J9000031		C152		nsp	CER. B100pF-K/50V-52RE	nsp
L201R		9965 000 10748	COIL FILTER-INDUCTOR	*LC106490R	C153	N	nsp	CER. F0.1μF-Z/50V-52RE	nsp
			J9000031		C154	N	nsp	CER. CH27pF-J/50V-5RE	nsp
L201SC		9965 000 10748	COIL FILTER-INDUCTOR	*LC106490R	C155	N	nsp	CER. CH27pF-J/50V-5RE	nsp
			J9000031		C156	N	nsp	ELECT 10μF/M/50V 5*11-5RE	nsp
L201SL		9965 000 10748	COIL FILTER-INDUCTOR	*LC106490R	C157	N	nsp	CER. B270pF-K/50V-52RE	nsp
			J9000031		C158	N	nsp	ELECT 47μF/M/16V 5*11-5RE	nsp
L201SR		9965 000 10748	COIL FILTER-INDUCTOR	*LC106490R	C159	N	nsp	CER. F0.1μF-Z/50V-5RE PI6	nsp
			J9000031		C160		nsp	CER. B100pF-K/50V-52RE	nsp
			MAIN CIRCUIT BOARD		C163		nsp	CER. B220pF-K/50V-52RE	nsp
			MAIN - CAPACITORS		C164		nsp	CER. B100pF-K/50V-52RE	nsp
C101		nsp	FILM 0.1μF-K/250V-5RE	nsp	C164		nsp	CER. B0.001μF-K/50V-52RE	nsp
C102		nsp	FILM 0.047μF-J/100V-5RE	nsp	C165		nsp	CER. SL10pF-J/50V-52RE	nsp
C103		nsp	FILM 0.047μF-J/100V-5RE	nsp	C168		nsp		
C104C		nsp	FILM 0.1μF-K/63V-5RE	nsp	C169		nsp		
C104FL		nsp	FILM 0.1μF-K/63V-5RE	nsp			nsp	CER. F0.047μF-Z/50V-52RE	nsp
C104FR		nsp	FILM 0.1μF-K/63V-5RE	nsp	C173		nsp		
C104SC		nsp	FILM 0.1μF-K/63V-5RE	nsp	C174		nsp	ELECT 220μF/M/25V 8*11.5-5RE	nsp
C104SL		nsp	FILM 0.1μF-K/63V-5RE	nsp	C175		nsp	CER. SL47pF-J/50V-52RE	nsp
C104SR		nsp	FILM 0.1μF-K/63V-5RE	nsp	C176		nsp	CER. SL10pF-J/50V-52RE	nsp
C105C		nsp	FILM 0.1μF-K/63V-5RE	nsp					
C105FL		nsp	FILM 0.1μF-K/63V-5RE	nsp					
C105FR		nsp	FILM 0.1μF-K/63V-5RE	nsp					
C105SC		nsp	FILM 0.1μF-K/63V-5RE	nsp					
C105SL		nsp	FILM 0.1μF-K/63V-5RE	nsp					
C105SR		nsp	FILM 0.1μF-K/63V-5RE	nsp					
C106		nsp	FILM 0.1μF-K/250V-5RE	nsp					
C107		nsp	FILM 0.1μF-K/250V-5RE	nsp					
C108		nsp	FILM 0.047μF-J/100V-5RE	nsp					
C111		nsp							
C114		4822 124 11583	ELECT 2200μF/M/35V 16*32	EA22803510	R101		9965 000 11024	0.22-J 1W-R.	*GA000200R
C115		4822 124 11583	ELECT 2200μF/M/35V 16*32	EA22803510					
C116		nsp	CER. 0.01μF-K/50V-5RE	nsp	R104				
C117		nsp	ELECT 10000μF/M/16V	nsp	R105C		4822 053 11109	10-J 2W-52RE-AX	GA05100020
			18*35L.BLK SY		R105FL		4822 053 11109	10-J 2W-52RE-AX	GA05100020
					R105FR		4822 053 11109	10-J 2W-52RE-AX	GA05100020
					R105SC		4822 053 11109	10-J 2W-52RE-AX	GA05100020
					R105SL		4822 053 11109	10-J 2W-52RE-AX	GA05100020
					R105SR		4822 053 11109	10-J 2W-52RE-AX	GA05100020
					R107		nsp	2.7K-J 1/6W-52RE-AX	nsp
					R108		nsp	2.7K-J 1/6W-52RE-AX	nsp
					R109		nsp	560K-J 1/6W-52RE-AX	nsp
					R110		nsp	3.6K-J 1/6W-52RE-AX	nsp
					R111		nsp	22K-J 1/6W-52RE-AX	nsp

NOTE : "nsp" PART IS LISTED FOR REFERENCE ONLY. MARANTZ WILL NOT SUPPLY THESE PARTS.

POS. NO	VERS. COLOR	PART NO. (FOR PCS)	DESCRIPTION	PART NO. (MJI)	POS. NO	VERS. COLOR	PART NO. (FOR PCS)	DESCRIPTION	PART NO. (MJI)
R112		nsp	910-J 1/6W-52RE-AX	nsp	R194				
R113		nsp	470-J 1/6W-52RE-AX	nsp	1		nsp	10K-J 1/6W-52RE-AX	nsp
R114		9965 000 11021	R CEMENT MPR 0.1-J/5W W14*H17	*GO000011R	R198				
R115		9965 000 11021	R CEMENT MPR 0.1-J/5W W14*H17	*GO000011R	R199		nsp	1K-J 1/6W-52RE-AX	nsp
R116		nsp	27K-J 1/6W-52RE-AX	nsp	R200		nsp	47K-J 1/6W-52RE-AX	nsp
R117		nsp	27K-J 1/6W-52RE-AX	nsp	R201		nsp	47K-J 1/6W-52RE-AX	nsp
R118		nsp	7.5K-J 1/6W-52RE-AX	nsp	R202		nsp	100-J 1/4W-R.	nsp
R119		nsp	7.5K-J 1/6W-52RE-AX	nsp	R203		nsp	10K-J 1/6W-52RE-AX	nsp
R120		nsp	560K-J 1/6W-52RE-AX	nsp	R204		nsp	47K-J 1/6W-52RE-AX	nsp
R122									
1		nsp	27K-J 1/6W-52RE-AX	nsp					
R127					D101				
R128		nsp	51K-J 1/6W-52RE-AX	nsp	1		9965 000 10728	DIODE IN4007 1000V 1A	*HD201570R
R129		nsp	51K-J 1/6W-52RE-AX	nsp	D105				
R130		nsp	15K-J 1/6W-52RE-AX	nsp	D106		9965 000 11015	D RECTIFIER BRIDGE KBPC604 6A	*HE200300R
R131		nsp	33K-J 1/6W-52RE-AX	nsp	D107		9965 000 11015	D RECTIFIER BRIDGE KBPC604 6A	*HE200300R
R133		nsp	2.2K-J 1/6W-52RE-AX	nsp	D108		9965 000 10728	DIODE IN4007 1000V 1A	*HD201570R
R134		nsp	100K-J 1/6W-52RE-AX	nsp	D109		9965 000 10728	DIODE IN4007 1000V 1A	*HD201570R
R137					D110		4822 130 32778	DIODE 1SS133T-72-52MM	HD20015210
1		nsp	22K-J 1/6W-52RE-AX	nsp	D111		9965 000 10728	DIODE IN4007 1000V 1A	*HD201570R
R142					D112				
R143		nsp	3.3K-J 1/6W-52RE-AX	nsp	1		4822 130 32778	DIODE 1SS133T-72-52MM	HD20015210
R144		nsp	15K-J 1/6W-52RE-AX	nsp	D129				
R146		nsp	1.2K-J 1W-5	nsp	IC101		4822 209 91033	IC KA7815 / IL7815CV 16W-TO220	*HC300150R
R147		nsp	22K-J 1/6W-52RE-AX	nsp					
R148		nsp	22K-J 1/6W-52RE-AX	nsp	IC102		9965 000 11016	IC KIA7915PI 20W-TO220IS MOLD	*HC300200R
R150		nsp	18K-J 1/6W-52RE-AX	nsp					
R152		nsp	1.2K-J 1W-5	nsp	IC103		4822 209 90086	IC KA7805	*HC300140R
R154		nsp	1.2K-J 1W-5	nsp	IC104		4822 209 90086	IC KA7805	*HC300140R
R155		nsp	4.7K-J 1/6W-52RE-AX	nsp	IC105		9965 000 11017	IC KIA7905PI 20W-TO220IS MOLD	*HC300190R
R157		nsp	100K-J 1/6W-52RE-AX	nsp					
R158		nsp	100K-J 1/6W-52RE-AX	nsp	IC107		9965 000 11018	MICRO PROCESSOR CXP740010-141Q QFP100 DWP572B/SR5200/6200	*HU100540R
R159		nsp	1K-J 1/6W-52RE-AX	nsp					
R161		nsp	1M-J 1/6W-52RE-AX	nsp	IC108	N	4822 209 15824	IC TDA7330BD-SOP20P / RDS DEMODULATOR	*HC107330R
R162		nsp	47K-J 1/6W-52RE-AX	nsp	J169		4822 130 32778	DIODE 1SS133T-72-52MM	HD20015210
R165		nsp	10K-J 1/6W-52RE-AX	nsp	J170		4822 130 32778	DIODE 1SS133T-72-52MM	HD20015210
R166		nsp	47K-J 1/6W-52RE-AX	nsp					
R168		nsp	47K-J 1/6W-52RE-AX	nsp	Q101		9965 000 10740	TRS.2SA KTA1268BL 0.3W/TO92	*HT100340R
R169		nsp	220-J 1/6W-52RE-AX	nsp	Q102		4822 130 43233	TRS.2SC KTC3200BL 0.6W/TO92	HT322402A0
R170		nsp	100K-J 1/6W-52RE-AX	nsp	Q103		9965 000 10740	TRS.2SA KTA1268BL 0.3W/TO92	*HT100340R
R172	K	nsp	10K-J 1/6W-52RE-AX	nsp	Q104		9965 000 10740	TRS.2SA KTA1268BL 0.3W/TO92	*HT100340R
R173	K,U	nsp	15K-J 1/6W-52RE-AX	nsp	Q105		4822 130 43233	TRS.2SC KTC3200BL 0.6W/TO92	HT322402A0
R173	N	nsp	4.7K-J 1/6W-52RE-AX	nsp	Q106		9965 000 10740	TRS.2SA KTA1268BL 0.3W/TO92	*HT100340R
R174		nsp	47K-J 1/6W-52RE-AX	nsp	Q107		4822 130 43233	TRS.2SC KTC3200BL 0.6W/TO92	HT322402A0
R175		nsp	10K-J 1/6W-52RE-AX	nsp	Q108		9965 000 10444	TRS. NPN RC KRC107M 0.4W/TO92M	*BA001190R
R176		nsp	15K-J 1/6W-52RE-AX	nsp	Q113		9965 000 10444	TRS. NPN RC KRC107M 0.4W/TO92M	*BA001190R
R177		nsp	470K-J 1/6W-52RE-AX	nsp	Q115		4822 130 43233	TRS.2SC KTC3200BL 0.6W/TO92	HT322402A0
R178		nsp	100-J 1/6W-52RE-AX	nsp	Q116		4822 130 43233	TRS.2SC KTC3200BL 0.6W/TO92	HT322402A0
R179		nsp	47K-J 1/6W-52RE-AX	nsp	Q117		9965 000 10740	TRS.2SA KTA1268BL 0.3W/TO92	*HT100340R
R181		nsp	10K-J 1/6W-52RE-AX	nsp	Q118		9965 000 10740	TRS.2SA KTA1268BL 0.3W/TO92	*HT100340R
R182	N	nsp	2.2M-J 1/5W-52RE-AX	nsp					
R183	K	nsp	47K-J 1/6W-52RE-AX	nsp					
R184		nsp	10K-J 1/6W-52RE-AX	nsp					
R185		nsp	100K-J 1/6W-52RE-AX	nsp					
R186		nsp	100K-J 1/6W-52RE-AX	nsp					
R187	N	nsp	47K-J 1/6W-52RE-AX	nsp					
R188	N	nsp	47K-J 1/6W-52RE-AX	nsp					
R189		nsp	10K-J 1/6W-52RE-AX	nsp					
R190		nsp	10K-J 1/6W-52RE-AX	nsp					
R191	N	nsp	560-J 1/6W-52RE-AX	nsp					
R192		nsp	47K-J 1/6W-52RE-AX	nsp					
R193		nsp	3.3-J 1W-52RE-AX	nsp					

NOTE : "nsp" PART IS LISTED FOR REFERENCE ONLY, MARANTZ WILL NOT SUPPLY THESE PARTS.

POS. NO	VERS. COLOR	PART NO. (FOR PCS)	DESCRIPTION	PART NO. (MJI)	POS. NO	VERS. COLOR	PART NO. (FOR PCS)	DESCRIPTION	PART NO. (MJI)
Q119		4822 130 43233	TRS.2SC KTC3200BL 0.6W/TO92	HT322402A0	CP108		nsp	CN.WAFER 2.0MM TUC-P20P-B1 BD-TO-BD	nsp
Q120		4822 130 43233	TRS.2SC KTC3200BL 0.6W/TO92	HT322402A0	CP109		nsp	20P WAFER ST (35336-20) CN.WAFER 2.0MM	nsp
Q122		4822 130 61227	TRS. PNP RA KRA102M 0.3W/TO92M	*BA001210R	CP110		nsp	TUC-P04P-B1 BD-TO-BD 4P WAFER ST (35336-04)	nsp
Q123		4822 130 60588	TRS. NPN RC KRC102M 0.4W/TO92M	*BA001180R	CP111		nsp	CN.WAFER 2.0MM TUC-P11P-B1 BD-TO-BD	nsp
Q124		4822 130 61227	TRS. PNP RA KRA102M 0.3W/TO92M	*BA001210R	CP112		nsp	11P WAFER ST (35336-11) CN.WAFER 2.0MM	nsp
Q128		4822 130 61227	TRS. PNP RA KRA102M 0.3W/TO92M	*BA001210R	CP113		nsp	TUC-P10P-B1 BD-TO-BD 10P WAFER ST (35336-10)	nsp
Q129		4822 130 60588	TRS. NPN RC KRC102M 0.4W/TO92M	*BA001180R	CP114		nsp	CN.WAFER 2.0MM TUC-P15P-B1 BD-TO-BD	nsp
Q130		9965 000 10444	TRS. NPN RC KRC107M 0.4W/TO92M	*BA001190R	CP115		nsp	15P WAFER ST (35336-15) CN.WAFER 2.0MM	nsp
Q131		4822 130 61227	TRS. PNP RA KRA102M 0.3W/TO92M	*BA001210R	CP116		nsp	TUC-P18P-B1 BD-TO-BD 18P WAFER ST (35336-18)	nsp
Q135		9965 000 10749	TRS.2SA KSA992F 0.5W/TO92	*HT100590R	CP120		nsp	CN.WAFER 2.5MM5267-06A 6P	nsp
Q213C		9965 000 11019	TRS.2SB SAP16P 150W LF550(5P) POWER Tr.	*HT200410R	CP121		nsp	CN.WAFER 3.96MM35328-0310	nsp
Q213FL		9965 000 11019	TRS.2SB SAP16P 150W LF550(5P) POWER Tr.	*HT200410R	CP122		nsp	CN.WAFER 2.5MM5267-04A 4P	nsp
Q213FR		9965 000 11019	TRS.2SB SAP16P 150W LF550(5P) POWER Tr.	*HT200410R	CP123		nsp	CN.WAFER 2.5MM 5267-10A 10P	nsp
Q213SL		9965 000 11019	TRS.2SB SAP16P 150W LF550(5P) POWER Tr.	*HT200410R	CP124		nsp	CN.WAFER 2.5MM5267-09A 9P	nsp
Q213SR		9965 000 11019	TRS.2SB SAP16P 150W LF550(5P) POWER Tr.	*HT200410R	CP150		nsp	CN WIRE 200MM/2P 5264-02=51088-02 RD1007#22	nsp
Q213SC		9965 000 11019	TRS.2SB SAP16P 150W LF550(5P) POWER Tr.	*HT200410R	FPC109	9965 000 11014	nsp	CABLE FLAT CARD FPC 23P CN109 & FPC109A	*YU000930R
Q214C		9965 000 11020	TRS.2SD SAP16N 150W LF550(5P) POWER Tr.	*HT400480R	FPC109A		nsp	CN.FP1.25MM 52045-2345 23P ST	nsp
Q214SR		9965 000 11020	TRS.2SD SAP16N 150W LF550(5P) POWER Tr.	*HT400480R	GND101		nsp	TERMINAL GND PLATE	nsp
Q214SL		9965 000 11020	TRS.2SD SAP16N 150W LF550(5P) POWER Tr.	*HT400480R	GND105		nsp		nsp
Q214FR		9965 000 11020	TRS.2SD SAP16N 150W LF550(5P) POWER Tr.	*HT400480R	RLY102	9965 000 05895	nsp	RELAY G5PA-28 24V 5A	LY20240490
Q214FL		9965 000 11020	TRS.2SD SAP16N 150W LF550(5P) POWER Tr.	*HT400480R	RLY104	9965 000 11022	nsp	RELAY RSB24S 24V 2A30VDC/SMALL SIGNAL	*LY000290R
Q214SC		9965 000 11020	TRS.2SD SAP16N 150W LF550(5P) POWER Tr.	*HT400480R	XTAL101	9965 000 11023	nsp	RESONATOR CER. CST12.0MTW-TF01/ CSTLA12M0T55-A0	*FQ000530R
BEAD101		nsp	MAIN - MISCELLANEOUS BEAD COIL BAS3580T0 3.5PHI*8 52RE	nsp	XTAL102	9965 000 11025	nsp	CRYSTAL 4.332MHZ HC49U CL=30pF 30PPM ESR=60-5	*JX000800R
BEAD105		nsp	CN WIRE 420MM/4P GIL-S-4=9073-4 WH1007#26	nsp	ZD121	4822 130 80317	nsp	D ZENER MTZJ5.1B-0.5W/5MA-52MM	HD30511000
CP101		nsp	CN.WAFER 2.5MM PLUG BD 53421-1317 13P 2.5 ST ZIP	nsp	ZD122	4822 130 80317	nsp	D ZENER MTZJ5.1B-0.5W/5MA-52MM	HD30511000
CP103		nsp	CN.WAFER 2.0MM TUC-P09P-B1 BD-TO-BD	nsp	ZD129	4822 130 80317	nsp	D ZENER MTZJ5.1B-0.5W/5MA-52MM	HD30511000
CP104		nsp	9P WAFER ST (35336-09) CN.WAFER 2.0MM	nsp	C710		nsp	FILM 0.047μF-J100V-5RE	nsp
CP105		nsp	35336-1310 13P CN.WAFER 2.0MM	nsp	C711		nsp	FILM 0.047μF-J100V-5RE	nsp
CP106		nsp	TUC-P09P-B1 BD-TO-BD 9P WAFER ST (35336-09)	nsp	C712		nsp	FILM 0.047μF-J100V-5RE	nsp
CP107		nsp	CN.WAFER 2.0MM TUC-P15P-B1 BD-TO-BD	nsp	C713		nsp	CER. F0.1μF-Z/50V-5RE P16	nsp
		nsp	15P WAFER ST (35336-15) CN.WAFER 2.0MM	nsp	C714		nsp	CER. AC(SAFETY) DE2F3KH108MN4A (DE1310-469E472M) P10 25	nsp
		nsp	TUC-P10P-B1 BD-TO-BD 10P WAFER ST (35336-10)	nsp	C717		nsp	ELECT 470μF-M/25V 10*12.5	nsp
		nsp		nsp	C718		nsp	ELECT 1μF-M/50V 5*11-5RE	nsp
		nsp		nsp	C719		nsp	ELECT 220μF-M/50V 10*12.5	nsp

NOTE : "nsp" PART IS LISTED FOR REFERENCE ONLY. MARANTZ WILL NOT SUPPLY THESE PARTS.

POS. NO	VERS. COLOR	PART NO. (FOR PCS)	DESCRIPTION	PART NO. (MJI)	POS. NO	VERS. COLOR	PART NO. (FOR PCS)	DESCRIPTION	PART NO. (MJI)
			POWER - SEMICONDUCTORS		ZD711		9965 000 11028	D ZENER MTZJ7.5B-0.5W/5MA-52MM	*HD301980R
D710		9965 000 10728	DIODE IN4007 1000V 1A	*HD201570R	ZD712		4822 130 11627	D ZENER MTZJ15B-0.5W/5MA-52MM	*HD302000R
D713					ZD713		4822 130 11627	D ZENER MTZJ15B-0.5W/5MA-52MM	*HD302000R
D714		4822 130 32778	DIODE 1SS133T-72-52MM	HD20015210	ZD715		4822 130 31554	D ZENER MTZJ4.3B-0.5W/5MA-52MM	HD30431000
D715		4822 130 32778	DIODE 1SS133T-72-52MM	HD20015210	ZD716	K	nsp	D ZENER MTZJ20B-0.5W/5MA-52MM	*HD301950R
D719		9965 000 10728	DIODE IN4007 1000V 1A	*HD201570R	*	K	nsp	SW SLIDE ESD26832A AC250V/5A	*SS000720R
IC710		4822 209 91031	IC KA7806	*HC300120R	*	K	nsp	SUPPORTER AVR1601(KE2) KIFCO(PS801) /P.C.	nsp
Q711		9965 000 10444	TRS. NPN KRC107M 0.4W/TO92M	*BA001190R	*	K	nsp	SPACER AVC1500(N) NYLON66 MPS-10-0/CARD	nsp
Q712		4822 130 11683	TRS.2SA KSA916Y 0.9W/TO92L-	*HT100600R					
Q714	K	9965 000 10444	TRS. NPN KRC107M 0.4W/TO92M	*BA001190R					
			POWER - MISCELLANEOUS						
CN711	K	nsp	CN WIRE 120MM/2P 35191-02=210-03 BK1617#22 7.92	nsp				STBY LED CIRCUIT BOARD STBY LED-SEMICONDUCTORS	
CN953	K	nsp	CN WIRE 120MM/3P 35156-05=210-05 WH1617#22	nsp	D303		4822 130 10854	LED SLR-34URCF25	*H100710R
CP710		nsp	CN.WAFER 2.5MM5267-04A 4P	nsp				STBY LED - MISCELLANEOUS	
CP711		nsp	CN.WAFER 3.96MM35328-0210	nsp	SW325	U	9965 000 10988	SW TACT	*SP000900R
CP712		nsp	CN.WAFER 7.92MM YW396-32V 2P	nsp	J320	U	nsp	SKHV10920A 5MM/260G	
CP713	K	nsp	CN.WAFER 3.96MM35328-0210	nsp	J321	U	nsp	JUMPER (0.6/52MM)	nsp
CP714	N	nsp	CN.WAFER 2.0MM G1L-S-4P-S2T2-EF	nsp	J322	U	nsp	JUMPER (0.6/52MM)	nsp
CP715		nsp	CN.WAFER 2.0MM G1L-S-5P-S2T2-EF	nsp	J323	U	nsp	JUMPER (0.6/52MM)	nsp
CP741	K	nsp	CN.WAFER 2.0MM G1L-S-4P-S2T2-EF	nsp					
CP951	K	nsp	CN.WAFER 3.96MM35328-0510	nsp					
CP953	K	nsp	CN.WAFER 7.92MM 35979-0320 3P ANGLE	nsp					
F711		nsp	HOLDER FUSE CLIP PI5.2	nsp					
▲F711	K,N	4822 070 32502	FUSE 250V-T2.5A-SV/B/R(TEAR1)	*FS000770R					
▲F711	U	nsp	FUSE 250V-S2.5A-U/C/Δ/(TEAR2)	*FS000890R					
F712		nsp	HOLDER FUSE CLIP PI5.2	nsp					
▲F712	K,U	nsp	FUSE 250V-S8A-R/C/Δ/(TEAR2)	*FS000900R					
▲F712	N	4822 070 36302	FUSE 250V-T6.3A-SV/B/R(TEAR1)	*FS000380R					
▲F715	U	nsp	FUSE 250V-S2.5A-U/C/Δ/(TEAR2)	*FS000890R					
F715	U	nsp	HOLDER FUSE CLIP PI5.2	nsp					
F913	K	4822 070 36302	FUSE 250V-T6.3A-SV/B/R(TEAR1)	*FS000380R					
GND711		nsp	TERMINAL GND PLATE	nsp					
GND712	U	nsp	TERMINAL GND PLATE	nsp					
J714	N	nsp	JUMPER (0.6/52MM)	nsp					
J715	U	nsp	JUMPER (0.6/52MM)	nsp					
J716	U	nsp	JUMPER (0.6/52MM)	nsp					
L710		nsp	COIL FILTER-INDUCTOR 10μHQ40/24M-R2.5-52RE02TB	nsp					
L711		nsp	COIL FILTER-INDUCTOR 10μHQ40/24M-R2.5-52RE02TB	nsp					
L712		nsp	COIL FILTER-INDUCTOR 10μHQ40/24M-R2.5-52RE02TB	nsp					
▲RY710		9965 000 11026	RELAY HR-CR7-DC12V/10A	*LY000200R					
▲T710	K	nsp	SUB MAINS TRANSF. FOR K STAND BY	*TS001550R					
▲T710	N	9965 000 11027	SUB MAINS TRANSF. FOR N STAND BY	*TS001540R					
▲T710	U	nsp	SUB MAINS TRANSF. FOR U STAND-BY	*TS001530R					

NOTE : "nsp" PART IS LISTED FOR REFERENCE ONLY, MARANTZ WILL NOT SUPPLY THESE PARTS.