



**Service Bulletin**

**No. :** MZ08-004

**Date:** February 12, 2008

---

**Model:** SR6001, SR7001, SR8001

**Subject:** Information on the addition of Service extension cable.

**Symptom:** The part number of Extension FFC will be added to the Service spare parts. The PWB can now be removed from the unit and repaired.

**Solution:** The Extension FFC comes in several types depending on the number of PINs and the length. That is why each comes marked in the same color with the location specified on the wiring diagram (below). Please check the attached wiring diagram before use.

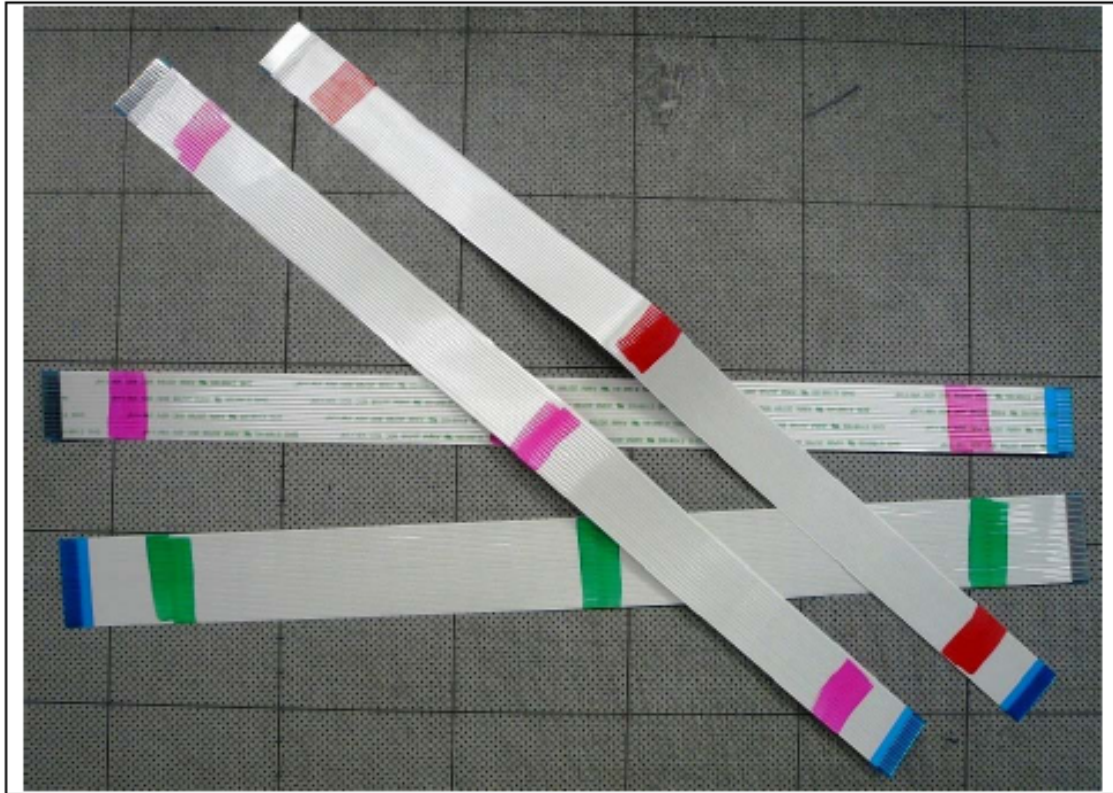
---

**CONFIDENTIALITY NOTICE:**

The information contained in this document is intended for the exclusive use by MARANTZ Authorized Service Centers and their employees. This document may contain information that is privileged, confidential and may be protected from disclosure under applicable laws and terms of the MARANTZ Service Agreement. Any distribution, disclosure, dissemination or copying of this document and the information it contains is prohibited. No responsibility will be accepted by MARANTZ for any damage, injury or loss resulting from the misuse of the information contained in this document.

**Parts:**

Ref#	Description	Part Number
NA	EXTENSION FFC KIT	90M-ZK000790R

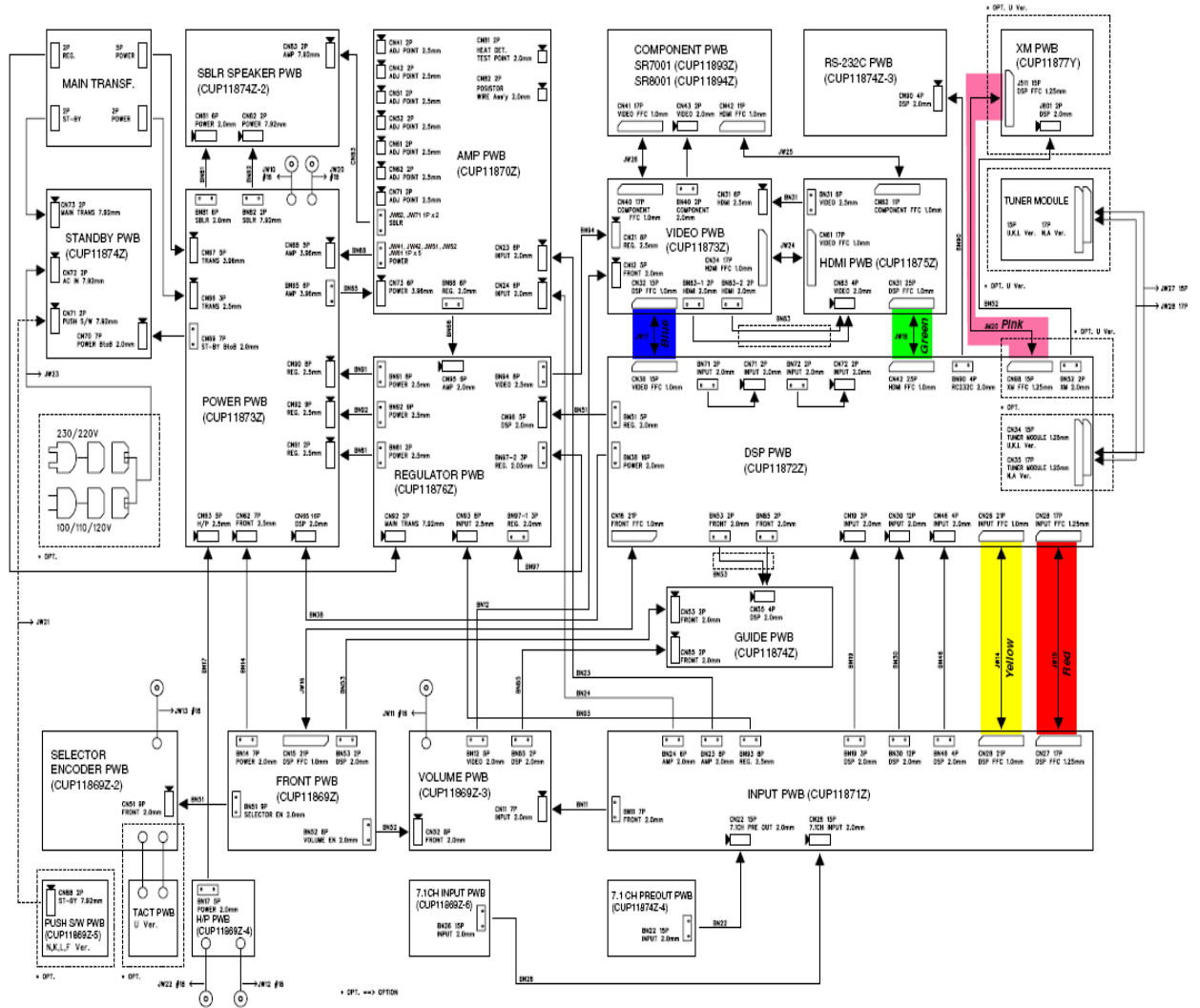


---

**CONFIDENTIALITY NOTICE:**

The information contained in this document is intended for the exclusive use by MARANTZ Authorized Service Centers and their employees. This document may contain information that is privileged, confidential and may be protected from disclosure under applicable laws and terms of the MARANTZ Service Agreement. Any distribution, disclosure, dissemination or copying of this document and the information it contains is prohibited. No responsibility will be accepted by MARANTZ for any damage, injury or loss resulting from the misuse of the information contained in this document.

SR6001/SR7001/SR8001  
7. WIRING DIAGRAM



**CONFIDENTIALITY NOTICE:**

The information contained in this document is intended for the exclusive use by MARANTZ Authorized Service Centers and their employees. This document may contain information that is privileged, confidential and may be protected from disclosure under applicable laws and terms of the MARANTZ Service Agreement. Any distribution, disclosure, dissemination or copying of this document and the information it contains is prohibited. No responsibility will be accepted by MARANTZ for any damage, injury or loss resulting from the misuse of the information contained in this document.