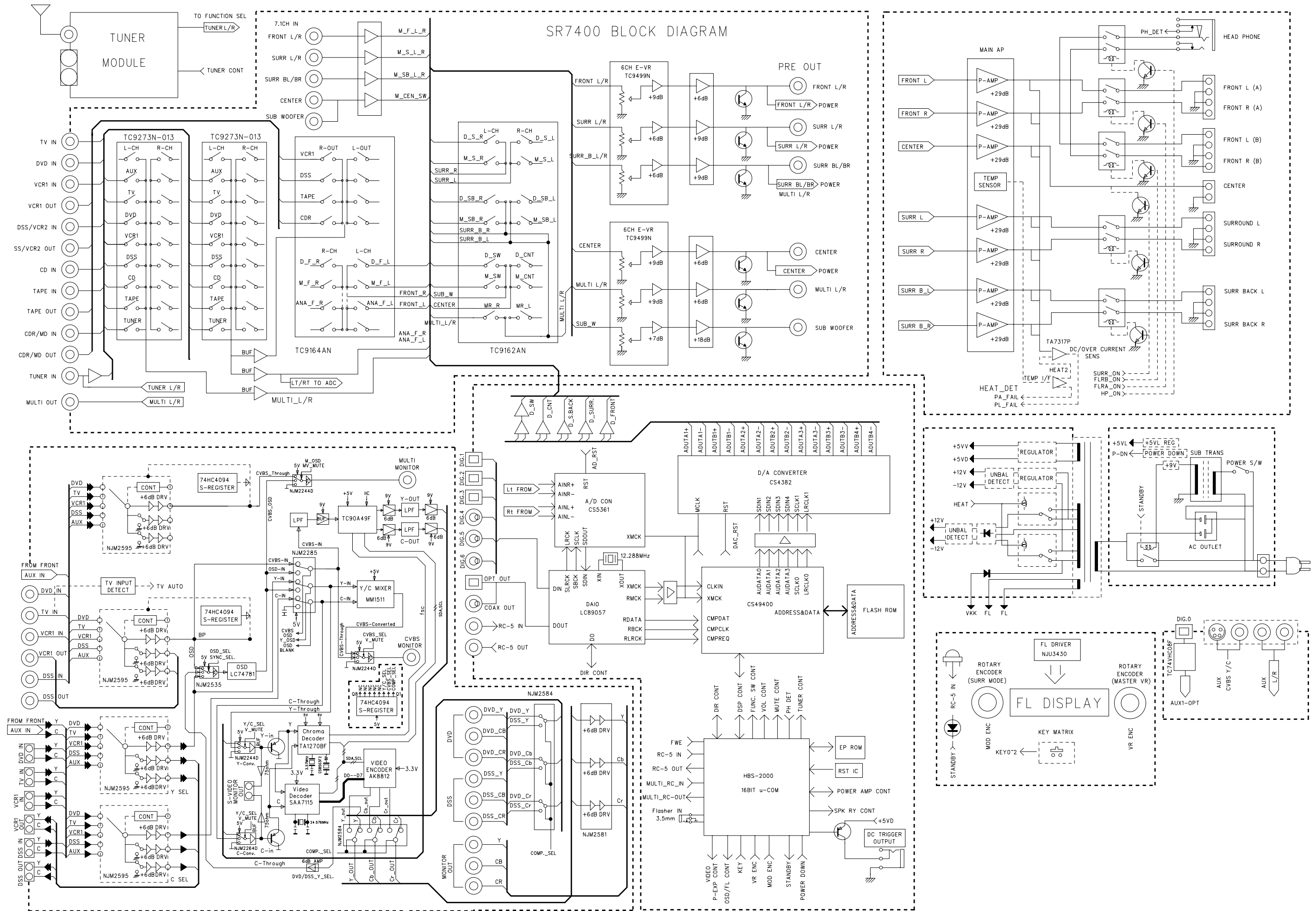
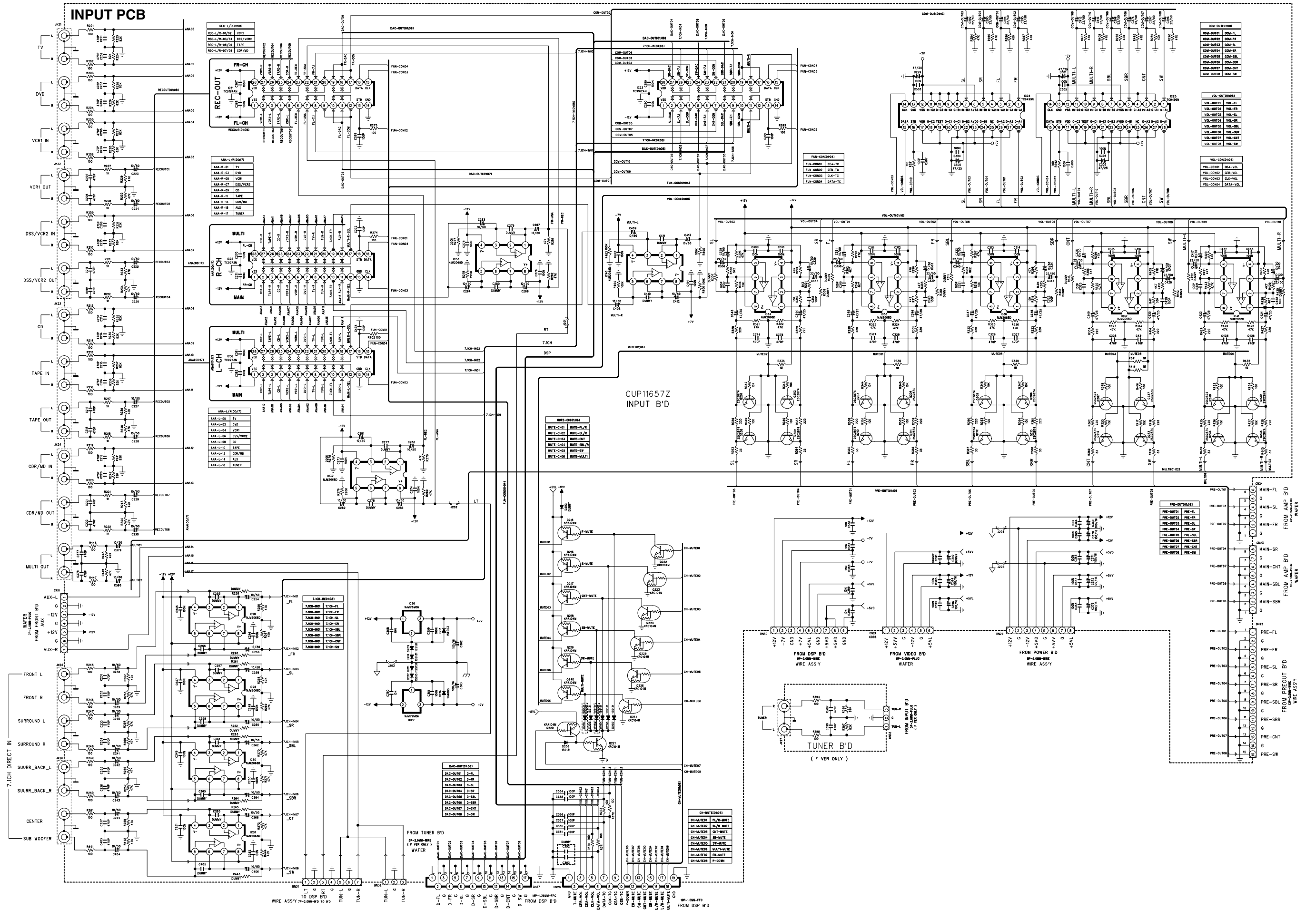


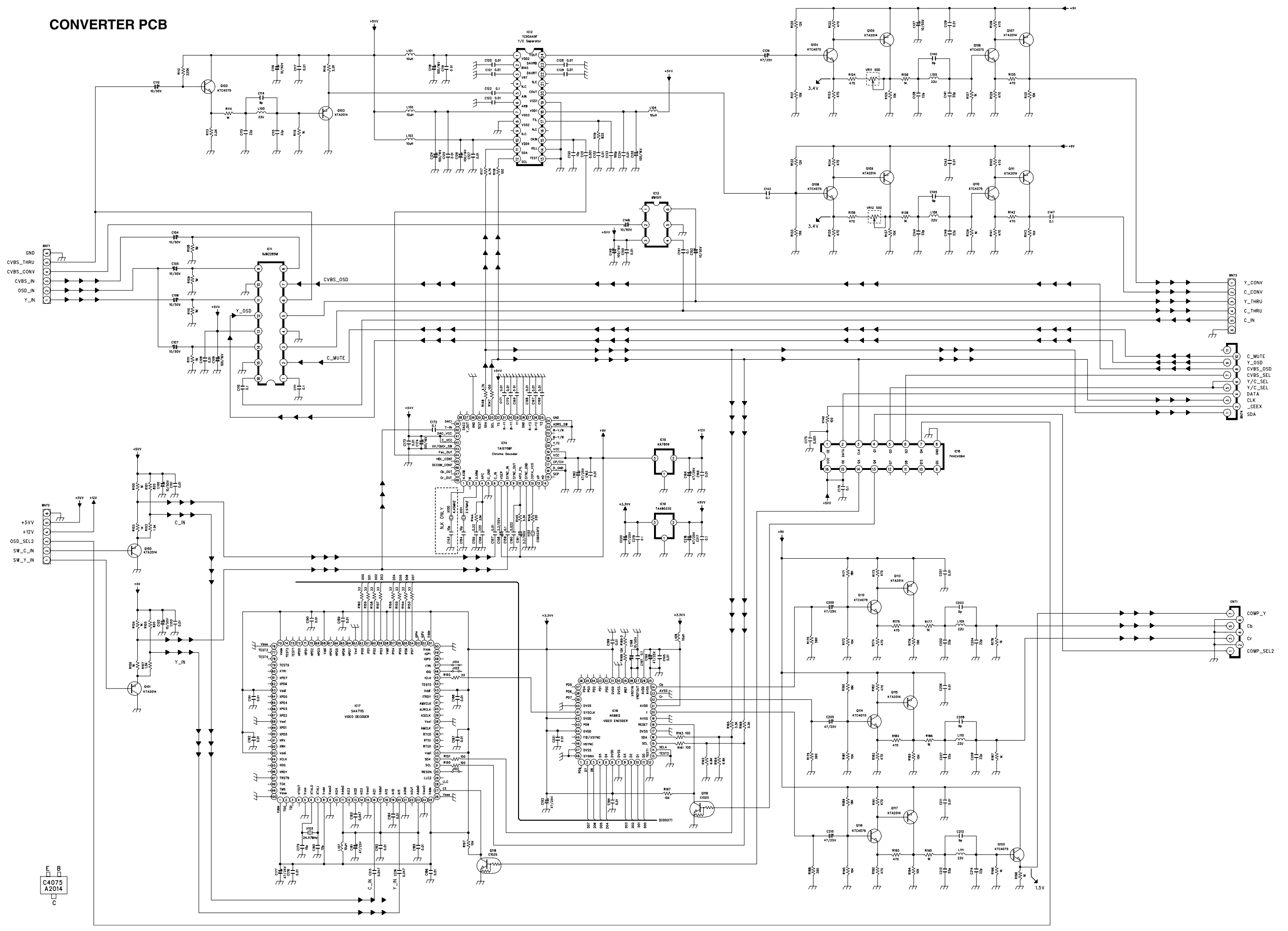
4. BLOCK DIAGRAM



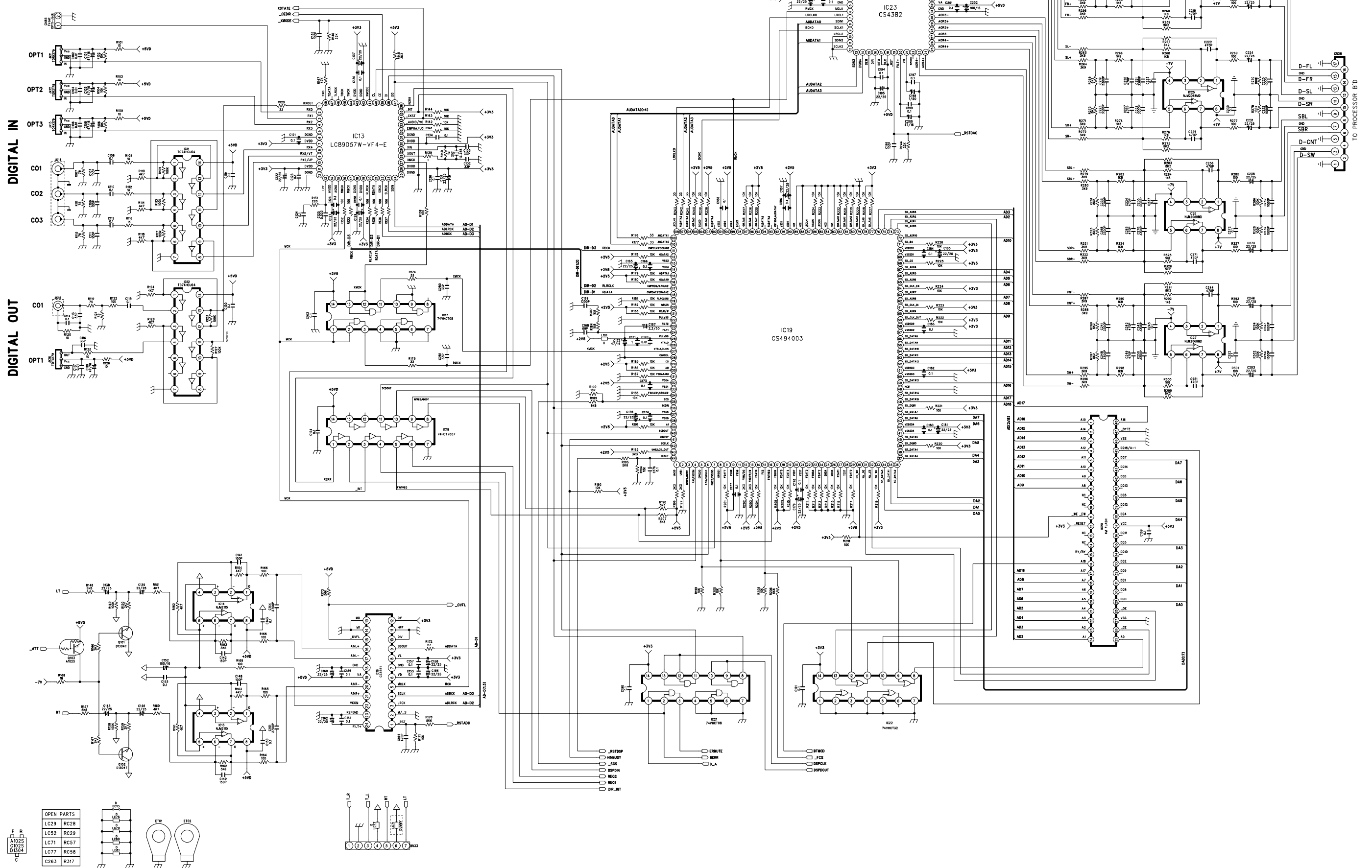
5. SCHEMATIC DIAGRAM



CONVERTER PCB



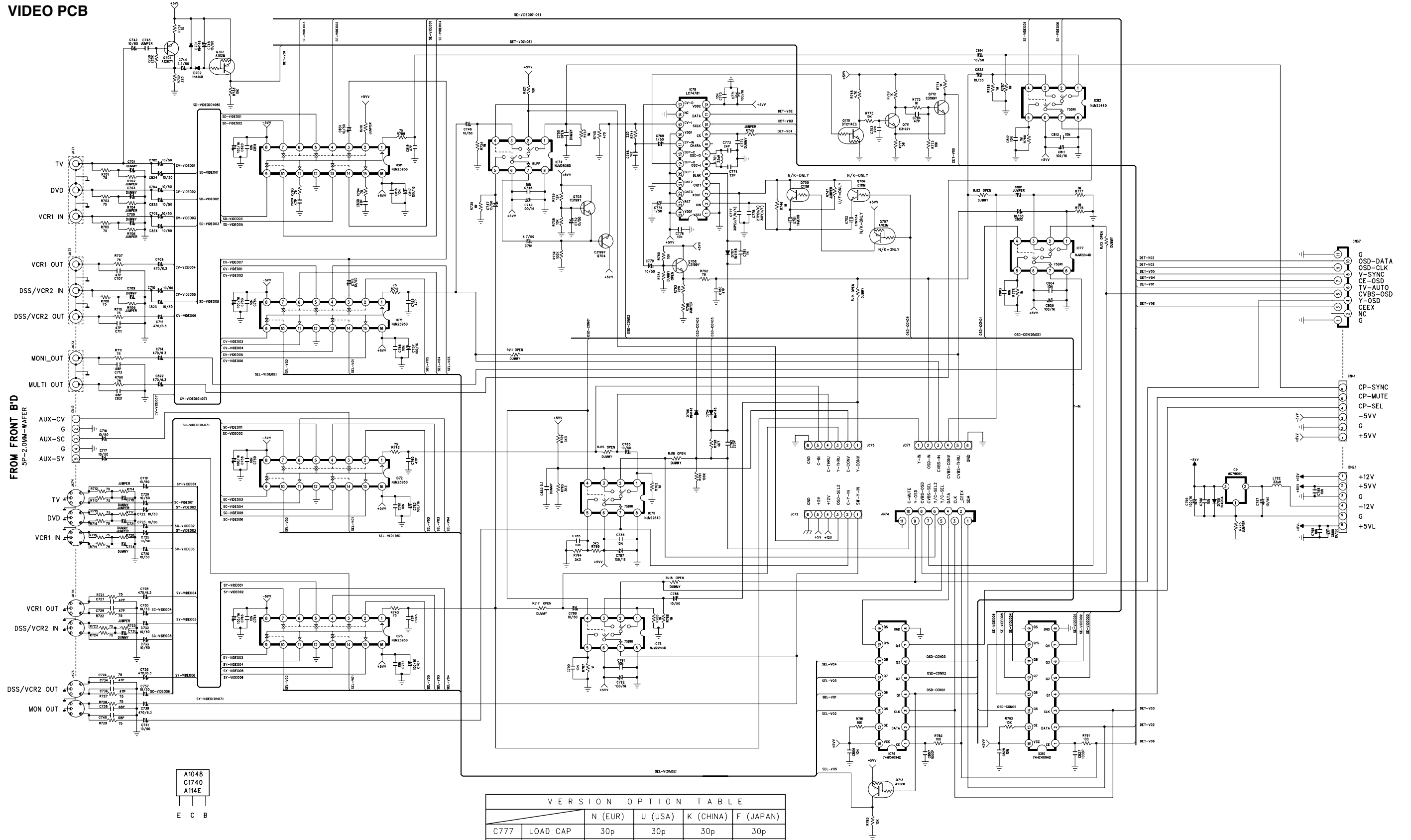
DSP PCB - 1/2



OPEN PARTS

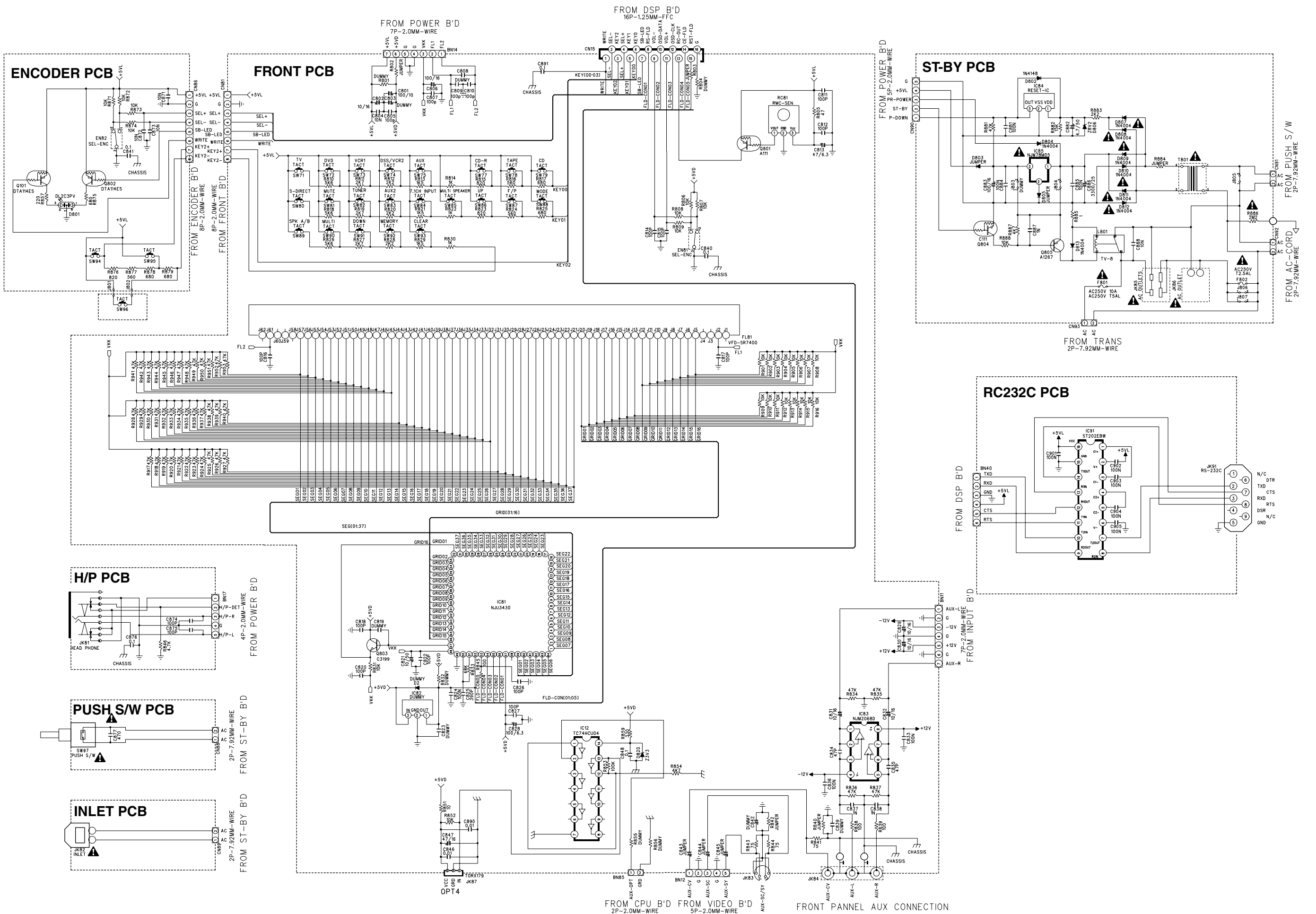
LC29	RC28
LC52	RC29
LC71	RC57
LC77	RC58
C263	R317

VIDEO PCB

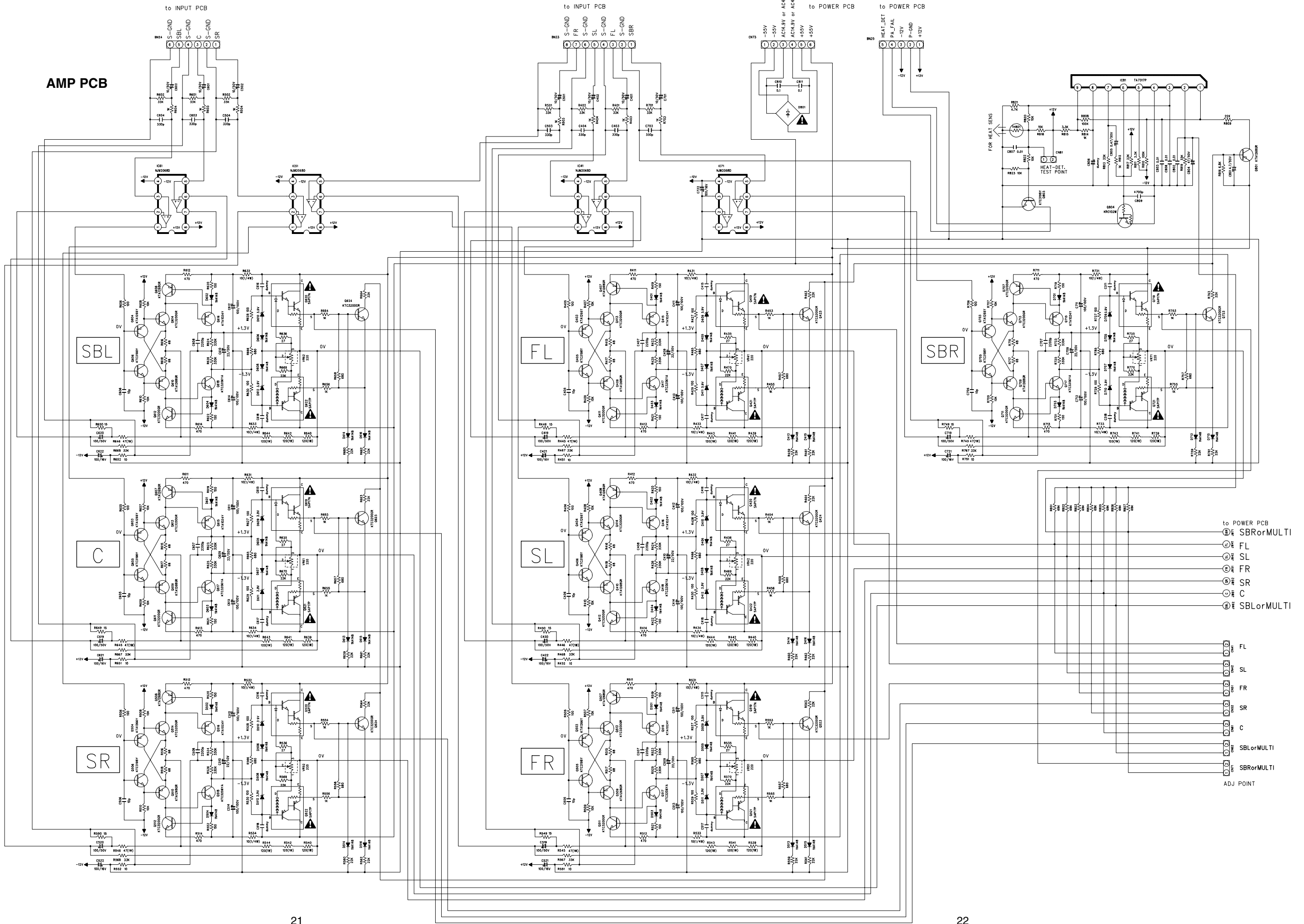


VERSION OPTION TABLE

		N (EUR)	U (USA)	K (CHINA)	F (JAPAN)
C777	LOAD CAP	30p	30p	30p	30p
C778	LOAD CAP	27p	30p	27p	30p
Q705	KRC111M	○	×	○	×
Q706	KRC111M	○	×	○	×
Q707	KRA102M	○	×	○	×
R747	JUMPER	×	○	×	○
X702	17.7344MHz	○	×	○	×



AMP PCB



to INPUT PCB
 S-GND
 SBL
 S-GND
 C
 S-GND
 SR

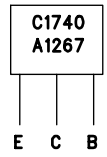
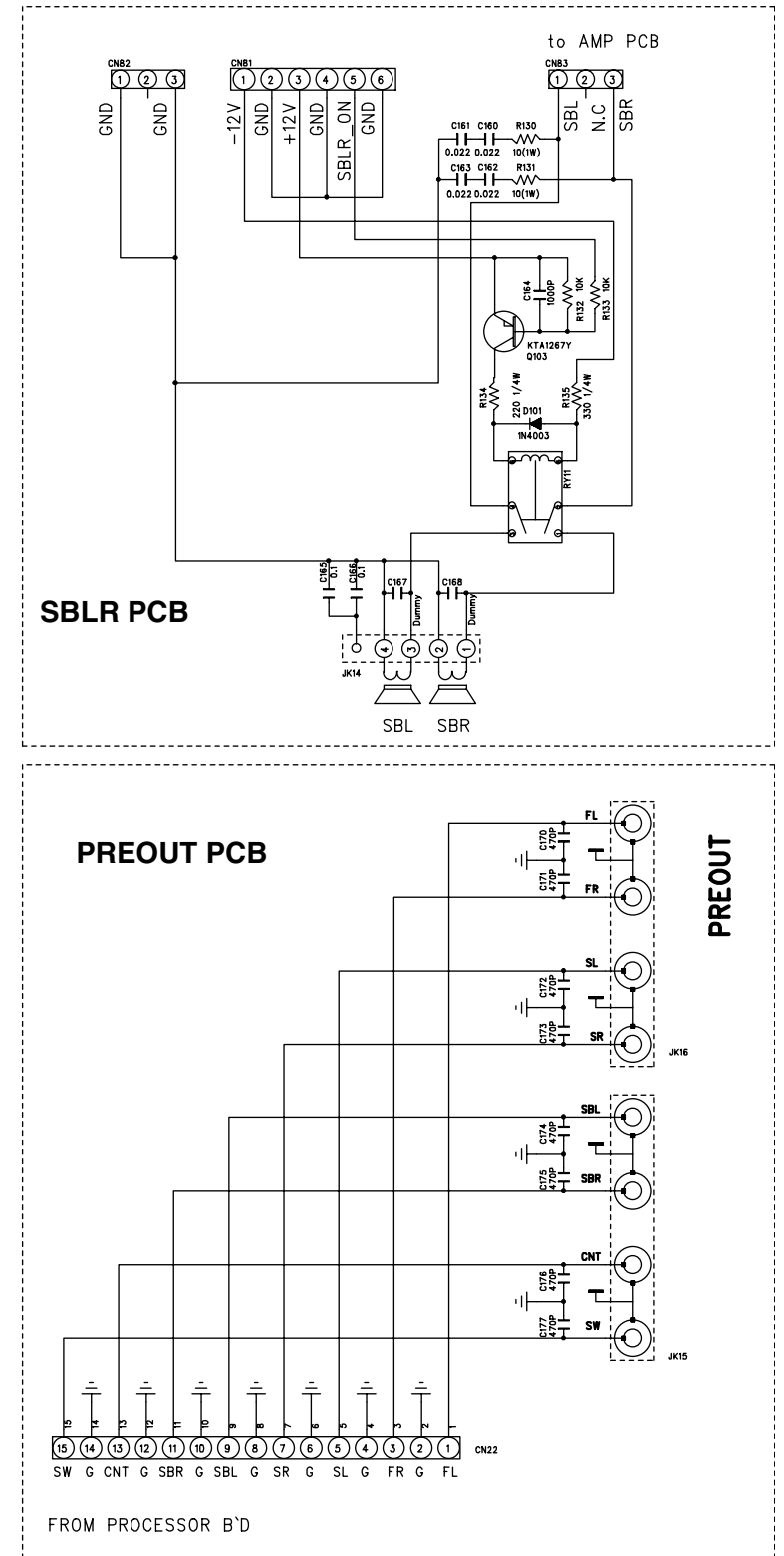
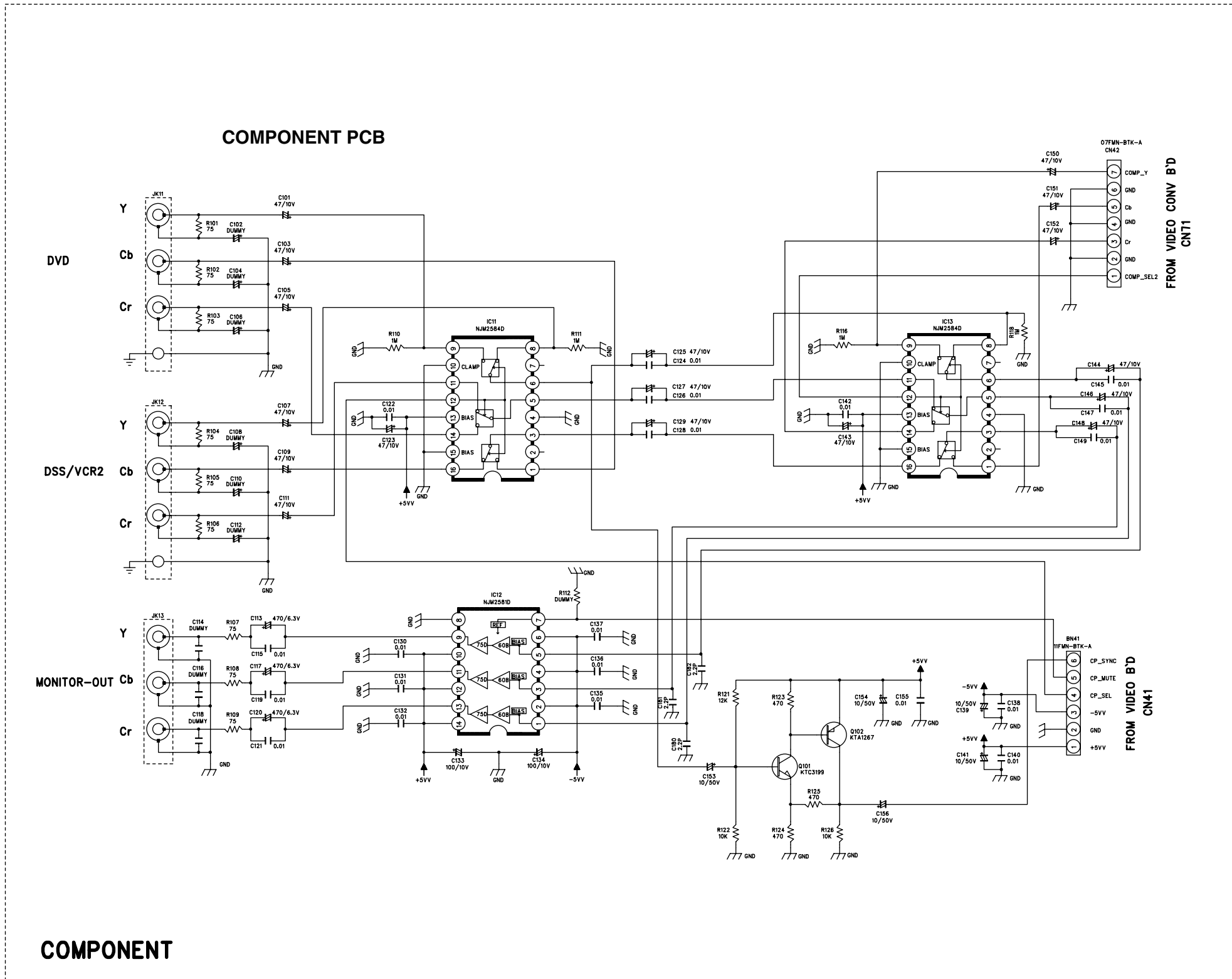
to INPUT PCB
 S-GND
 FR
 S-GND
 SL
 S-GND
 FL
 S-GND
 SBR

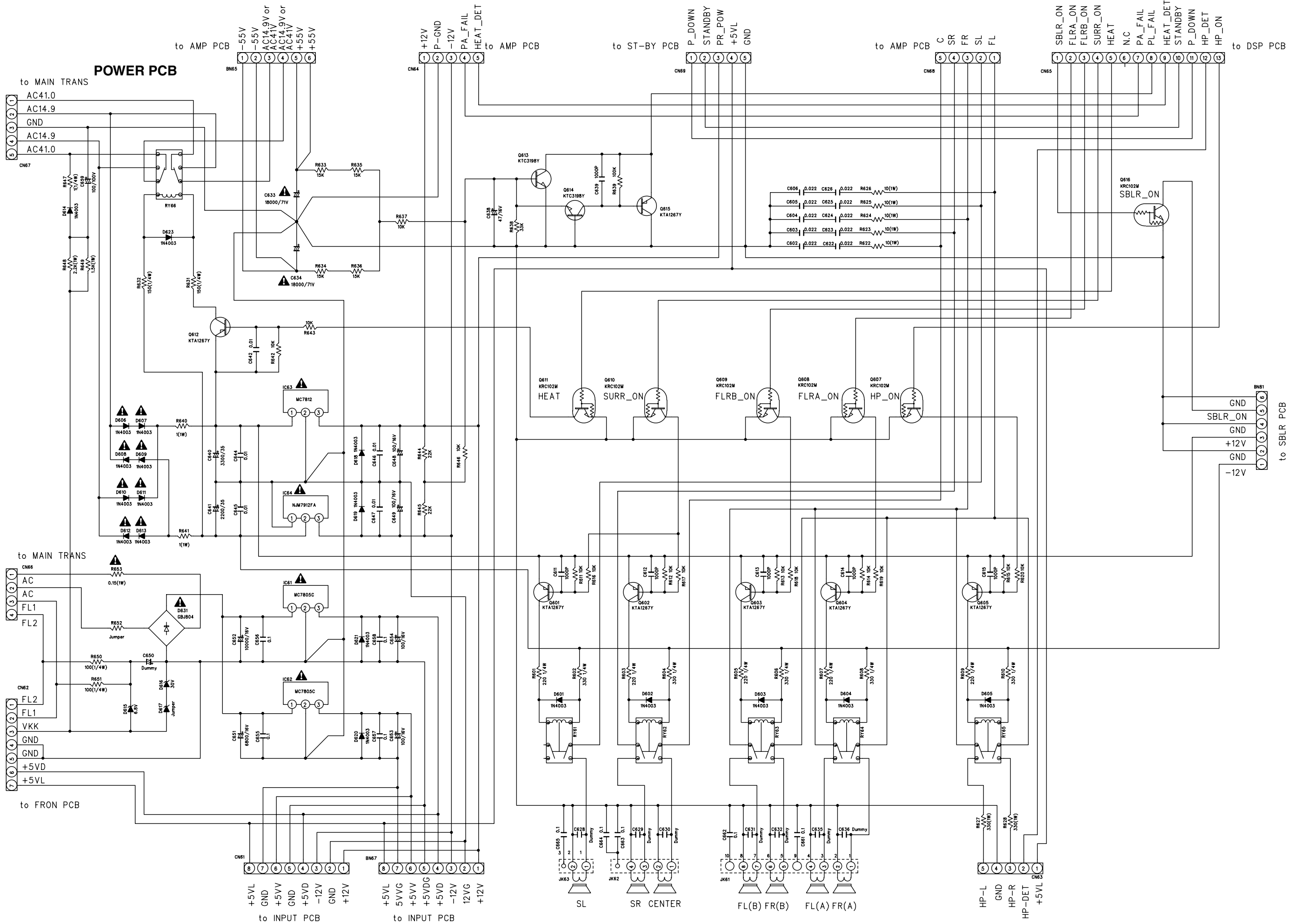
to POWER PCB
 -55V
 -55V
 AC14.8V or AC14V
 AC14.8V or AC14V
 +55V

to POWER PCB
 HEAT_DET
 PA_FAIL
 -12V
 P-GND
 +12V

to POWER PCB
 SBRorMULTI
 FL
 SL
 FR
 SR
 C
 SBLorMULTI

FL
 SL
 FR
 SR
 C
 SBLorMULTI
 SBRorMULTI
 ADJ POINT





DSP PCB - 2/2

TO FRONT B'D

DOWN LOAD
PUSH SW

RC-5 IN/OUT

MULTI RC

DC OUT
SPEC LOAD
270 OHMS

IR Flasher IN

FROM PROCESSOR B'D

MODEL	RC36	RC37	
SR7400	U	OPEN	0
	N	82K	22K
	S	47K	22K
SR7400 OSE	K	56K	39K
	F	47K	47K
	N	39K	56K
	S	22K	82K
	K	8K2	82K
	F	100K	OPEN

