

Service Manual

74 SR77Q/02B, SR770U,K
74 SR870/02B, SR870U,K
Audio/Video Receiver

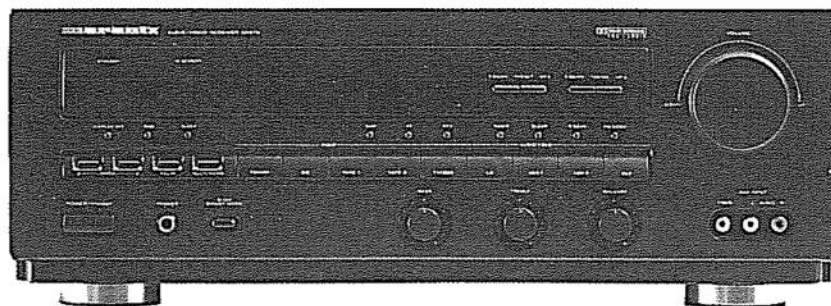


TABLE OF CONTENTS

SECTION	PAGE
1. TECHNICAL SPECIFICATIONS	1
2. WIRING DIAGRAM	2
3. BLOCK DIAGRAM..;	3
4. SCHEMATIC DIAGRAM AND PARTS LOCATION (Pattern Side).....	5
5. EXPLODED VIEW AND PARTS LIST	51
6. SERVICE PROGRAM	54
7. ELECTRICAL ADJUSTMENTS	55
8. ELECTRICAL PARTS LIST	58

Please use this service manual with referring to the user guide (D.F.U) without fail.

marantz®

model SR770/SR870

MARANTZ DESIGN AND SERVICE

Using superior design and selected high grade components, **MARANTZ** company has created the ultimate in stereo sound. Only original **MARANTZ** parts can insure that your **MARANTZ** product will continue to perform to the specifications for which it is famous.

Parts for your **MARANTZ** equipment are generally available to our National Marantz Subsidiary or Agent.

ORDERING PARTS :

Parts can be ordered either by mail or by Fax.. In both cases, the correct part number has to be specified.

The following information must be supplied to eliminate delays in processing your order :

1. Complete address
2. Complete part numbers and quantities required
3. Description of parts
4. Model number for which part is required
5. Way of shipment
6. Signature : any order form or Fax. must be signed, otherwise such part order will be considered as null and void.

<p>USA</p> <p>MARANTZ AMERICA, INC. 440 MEDINAH ROAD ROSELLE, ILLINOIS 60172- 2330 USA PHONE : 630 - 307 - 3100 FAX : 630 - 307 - 2687</p>	<p>CANADA</p> <p>LENBROOK INDUSTRIES LIMITED 633 GRANITE COURT, PICKERING, ONTARIO L1W 3K1 CANADA PHONE : 416-831-6333 FAX : 416-831-6936</p>	<p>EUROPE</p> <p>MARANTZ EUROPE B.V. P.O.BOX 80002 BUILDING SFF2 5600 JB EINDHOVEN THE NETHERLANDS PHONE : +31 - 40 - 2732241 FAX : +31 - 40 - 2735578</p>
<p>PROFESSIONAL USA</p> <p>SUPERSCOPE TECHNOLOGIES, INC. MARANTZ PROFESSIONAL PRODUCTS 1000 CORPORATE BLVD., SUITE D AURORA, ILLINOIS 60504 USA PHONE : 630 - 820 - 4800 FAX : 630 - 820 - 8103</p>	<p>PROFESSIONAL CANADA</p> <p>TC ELECTRONICS CANADA LTD 540 FIRING AVE. BAIE D'URFÉ, QUEBEC H9X 3T2 CANADA PHONE : 514 - 457 - 4044 FAX : 514 - 457 - 5524</p>	<p>TRADING</p> <p>MARANTZ EUROPE B.V. P.O.BOX 80002 BUILDING SFF2 5600 JB EINDHOVEN THE NETHERLANDS PHONE : +31 - 40 - 2732241 FAX : +31 - 40 - 2735578</p>
<p>AUSTRALIA</p> <p>MARANTZ AUSTRALIA 3 Figtree Drive Australia Centre Homebush, NSW2140 AUSTRALIA PHONE : +61 2 742 8311 FAX : +61 2 764 3074</p>	<p>BRAZIL</p> <p>MARANTZ BRAZIL Caixa Postal 21462 CEP 04698-970 Sao Paulo, SP, BRAZIL PHONE : 0800 - 123123 (Discagem Direta Gratuita) FAX : +55 11 534. 8988</p>	<p>HONG KONG</p> <p>FORWARD INTERNATIONAL CORP.LTD. 15 TH FLOOR, REGENT CENTRE, 88 QUEEN'S ROAD, CENTRAL, H. K. PHONE : +852 521 - 0883 FAX : +852 521 - 7835</p>
<p>TAIWAN</p> <p>PAI-YUING CO., LTD. 6 TH FL NO, 148 SUNG KIANG ROAD, TAIPEI, 10429, TAIWAN R.O.C. PHONE : +886 (2) 5221304 - 8 FAX : +886 (2) 5630415</p>	<p>THAILAND</p> <p>MRZ STANDARD CO., LTD. 746 - 750 WANGBURAPA BANGKOK 10200 THAILAND PHONE : +66 2222 9181 FAX : +66 2225 8871</p>	<p>MALAYSIA</p> <p>WO KEE HONG ELECTRONICS SDN. BHD. NO. 102 JALAN SS 21/35, DAMANSARA UTAMA, 47400 PETALING JAYA SELANGOR DARUL EHSAN, MA LAYS IA PHONE : +60 3 - 7184666 FAX : +60 3 - 7173928</p>
<p>JAPAN Technical</p> <p>MARANTZ JAPAN INC. 35- 1, 7- chome, Sagamiono Sagamihara - shi, Kanagawa Japan PHONE : +81 427 44 7950 FAX : +81 427 48 0889</p>	<p>日本マランツ株式会社</p> <p>本社 〒228 神奈川県相模原市相模大野 7 - 35 - 1 営業本部 〒150 東京都渋谷区恵比寿南 1 - 11 - 9</p>	<p>SINGAPORE</p> <p>FORWARD MARKETING (SINGAPORE) PTE. LTD. 29, LENG KEE ROAD SINGAPORE I 59099, PHONE : +65 475 - 4555 FAX : +65 475 - 8623</p>

SHOCK, FIRE HAZARD SERVICE TEST :

CAUTION : After servicing this appliance and prior to returning to customer, measure the resistance between either primary AC cord connector pins (with unit NOT connected to AC mains and its Power switch ON), and the face or Front Panel of product and controls and chassis bottom.

Any resistance measurement less than 1 Megohms should cause unit to be repaired or corrected before AC power is applied, and verified before it is return to the user/customer.

Ref. UL Standard NO. 1492.

In case of difficulties, do not hesitate to contact the Technical Department at above mentioned address.

1. TECHNICAL SPECIFICATIONS

SR770

SR870

FM TUNER SECTION

Frequency Range	87.5 – 108.0 MHz	87.5 – 108.0 MHz
Usable Sensitivity	IHF 1.3 μ V/13.5 dB	IHF 1.3 μ V/13.5 dB
Signal to Noise Ratio	Mono/Stereo 76/68 dB	Mono/Stereo 76/68 dB
Distortion	Mono/Stereo 0.2 / 0.5%	Mono/Stereo 0.2 / 0.5%
Stereo Separation	1 kHz 40 dB	1 kHz 40 dB
Alternate Channel Selectivity	\pm 400 kHz 65 dB (U version)	\pm 400 kHz 65 dB (U version)
	\pm 300 kHz 65 dB (K/02B version)	\pm 300 kHz 65 dB (K/02B version)
Image Rejection	98 MHz 50dB (U version)	98 MHz 50dB (U version)
	98 MHz 70 dB (K/02B version)	98 MHz 70 dB (K/02B version)
Tuner Output Level	1 kHz, \pm 75 kHz Dev 800mV (U version)	1 kHz, \pm 75 kHz Dev 800mV (U version)
	1 kHz, \pm 40 kHz Dev 800mV (K/02B version)	1 kHz, \pm 40 kHz Dev 800mV (K/02B version)

AM TUNER SECTION

Frequency Range	520 – 1710 kHz (U version)	520 – 1710 kHz (U version)
	531 – 1602 or 520 – 1710 kHz (K version)	531 – 1602 or 520 – 1710 kHz (K version)
	MW:531 – 1602 kHz (/02B version)	MW:531 – 1602 kHz (/02B version)
	LW152 – 282 kHz (/02B version)	LW152 – 282 kHz (/02B version)
Signal to Noise Ratio	50 dB	50 dB
Usable Sensitivity	Loop 500 μ V	Loop 500 μ V
Distortion	1 kHz, 30% Mod. 0.5%	1 kHz, 30% Mod. 0.5%
Selectivity	\pm 20 kHz 70 dB (U version)	\pm 20 kHz 70 dB (U version)
	\pm 18 kHz 70 dB (K/02B version)	\pm 18 kHz 70 dB (K/02B version)

AUDIO SECTION

Rated Power		
Stereo Mode FRONT (20 Hz – 20 kHz)	8 ohms 80W / Ch (2ch driven)	8 ohms 110W / Ch (2ch driven)
(Main in) Center (40 Hz – 20 kHz)	8 ohms 80W / Ch	8 ohms 110W / Ch
(Main in) Surround (40 Hz – 20 kHz)	8 ohms 30W / Ch	8 ohms 75W / Ch
THD Front (20 Hz – 20 kHz)	8 ohms 0.05%	8 ohms 0.05%
Input Sensitivity/Impedance		
Linear	220mV/40 kohms	220mV/40 kohms
Signal to Noise Rate (IHF A)		
Linear	82 dB	82 dB
Dolby Surround Adjacent Channels Separation	50 dB	50 dB

VIDEO

Television Format	NTSC (U version)	NTSC (U version)
	PAL/NTSC/SECAM (K/02B version)	PAL/NTSC/SECAM (K/02B version)
Input Level/Impedance	1Vp-p/75 ohms	1Vp-p/75 ohms
Output Level/Impedance	1Vp-p/75 ohms	1Vp-p/75 ohms
Video Frequency Response	5 Hz to 7 MHz (– 3 dB)	5 Hz to 7 MHz (– 3 dB)
S/N	63 dB	63 dB

GENERAL

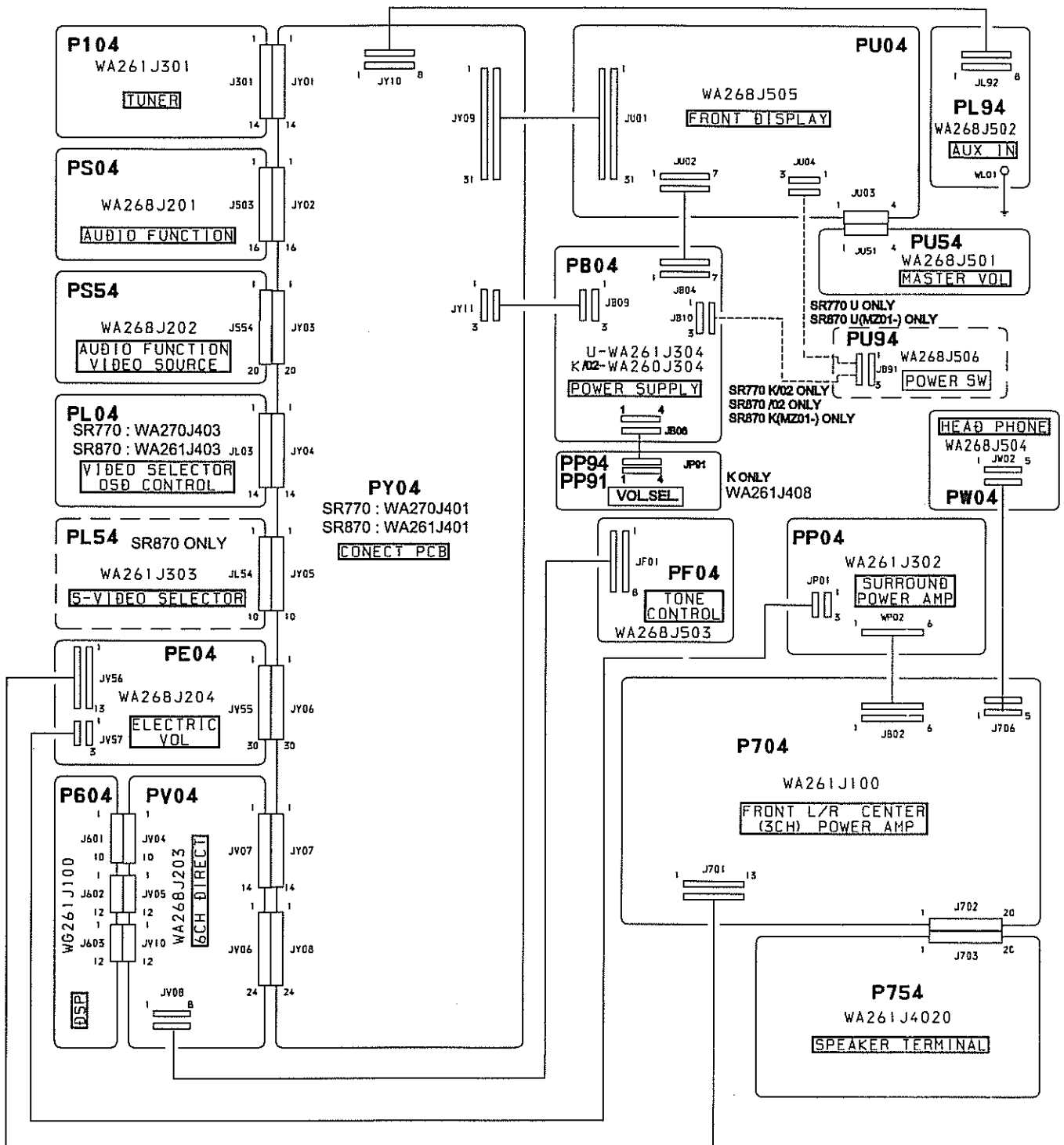
Power Requirement	AC 120V 60 Hz (U version)	AC 120V 60 Hz (U version)
	AC 230V 50 Hz (/02B version)	AC 230V 50 Hz (/02B version)
	AC 110/120/220/240V 50/60 Hz (K version)	AC 110/120/220/240V 50/60 Hz (K version)
Power Consumption	300W	375W
Dimension (MAX)		
Width	17- $\frac{1}{4}$ inches (439 mm)	17- $\frac{1}{4}$ inches (439 mm)
Height	6- $\frac{1}{4}$ inches (158 mm)	6- $\frac{1}{4}$ inches (158 mm)
Depth	18 inches (458 mm)	18 inches (458 mm)
Weight	28.0 lds. (12.7 kg)	31.7 lds. (14.4 kg)

ACCESSORIES

Remote Control Unit RC2000 (SR870 U version only)	1
Remote Control Unit RC870SR (U/K/02B version)	1
AA-size batteries (R870 U version only)	4
AAA-size batteries (U/K/02B version)	2
FM Feeder Antenna	1
FM Antenna Converter (U version only)	1
AM Loop Antenna	1

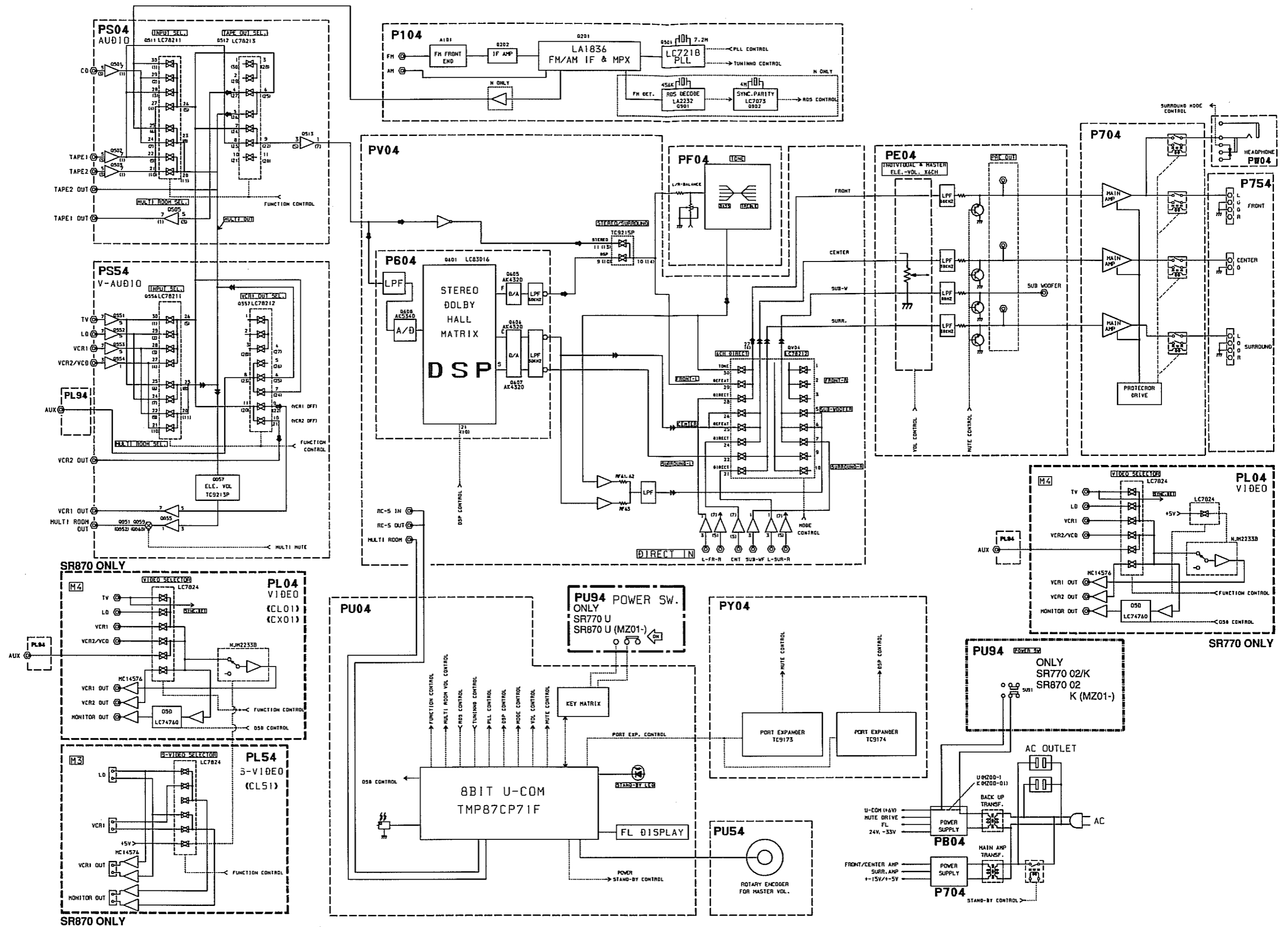
Specifications subject to change without prior notice.

2. WIRING DIAGRAM



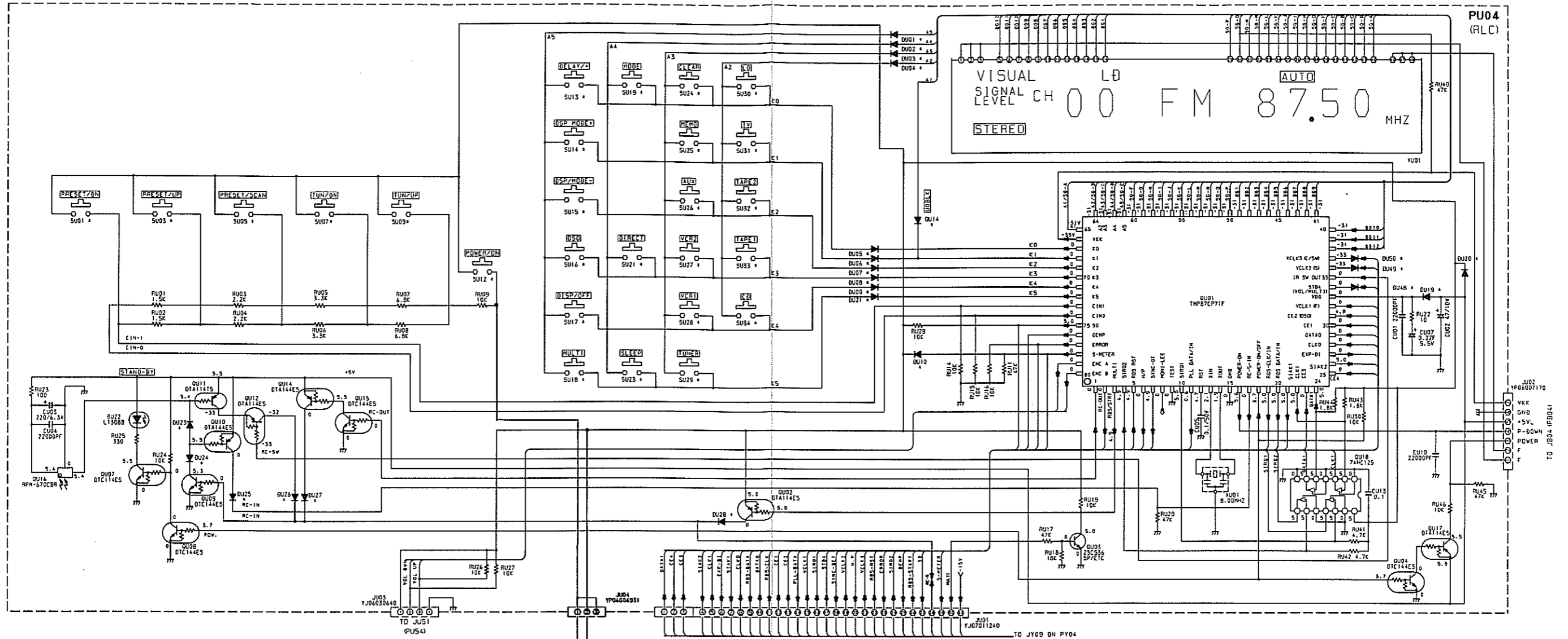
PU94 (WA268J5060)
 NOBLK
 KOBLK (MZ01)
 UOBLK (MZ01) ONLY USE

3. BLOCK DIAGRAM

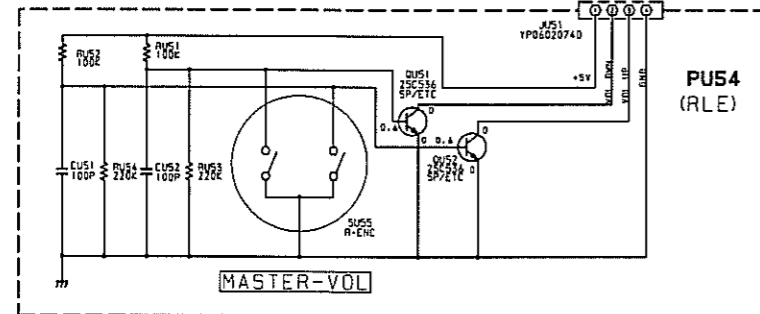


4. SCHEMATIC DIAGRAM AND PARTS LOCATION (Pattern Side)

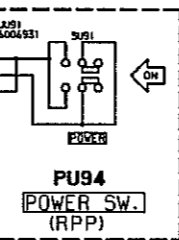
PU04-Front P.C. Board (U/K version)



PU54-Master Vol P.C. Board (U/K version)

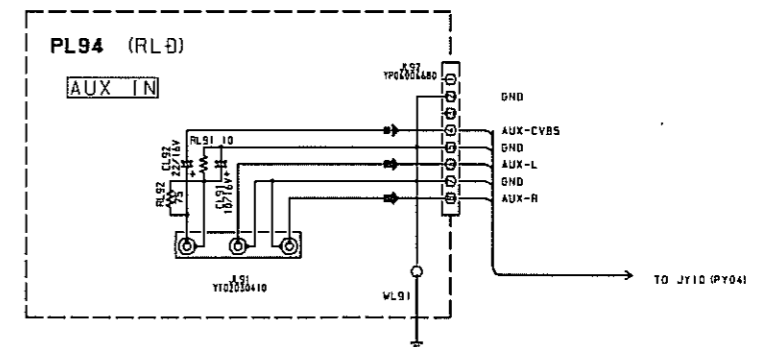


U ONLY

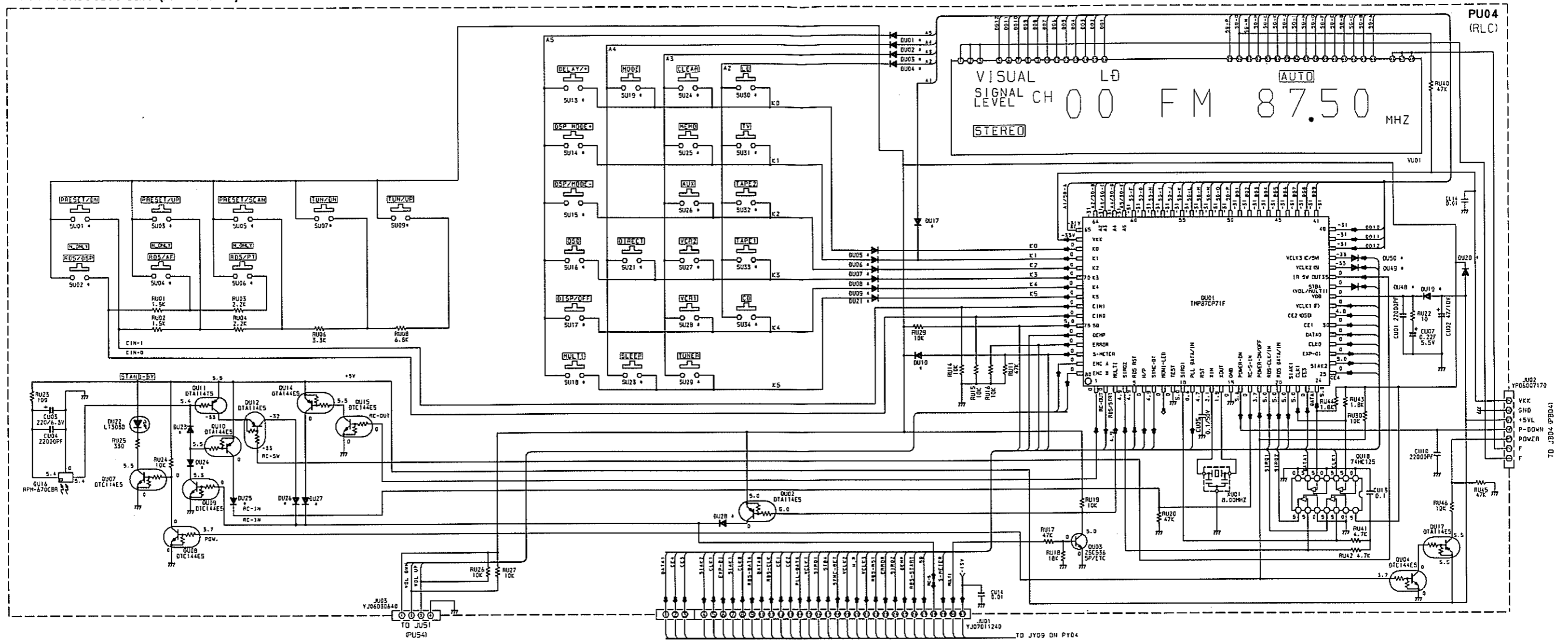


SR770 U
SR870 U (MZ01-)

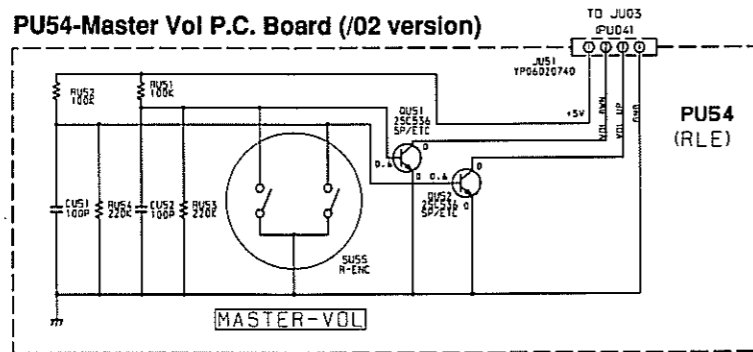
PL94-Aux In P.C. Board (U/K version)



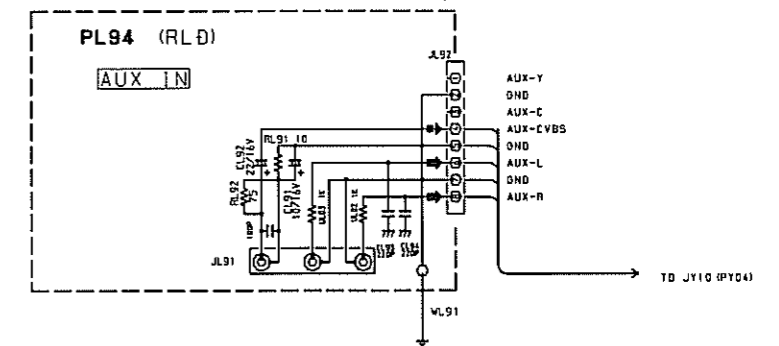
PU04-Front P.C. Board (/02 version)



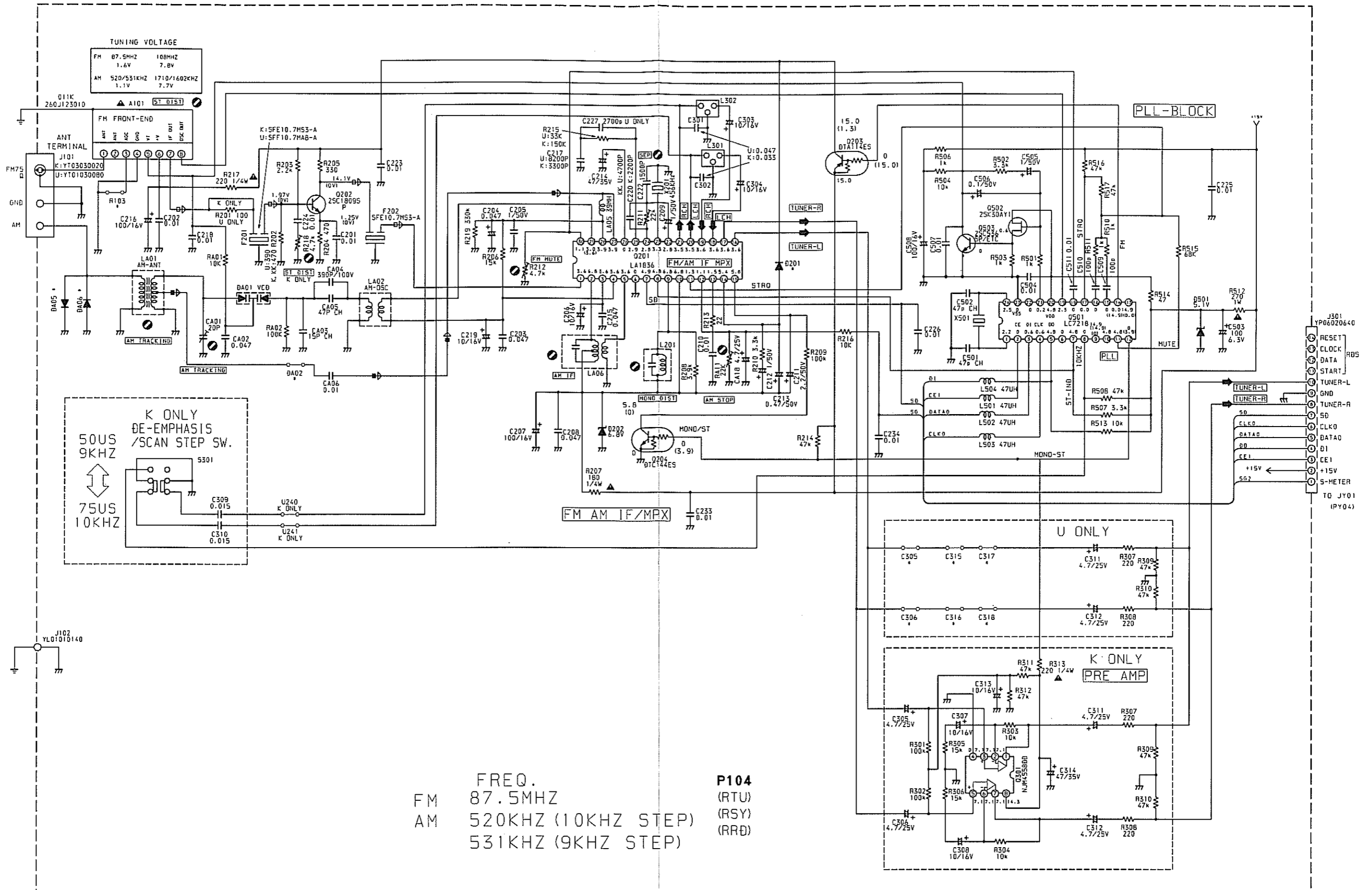
PU54-Master Vol P.C. Board (/02 version)

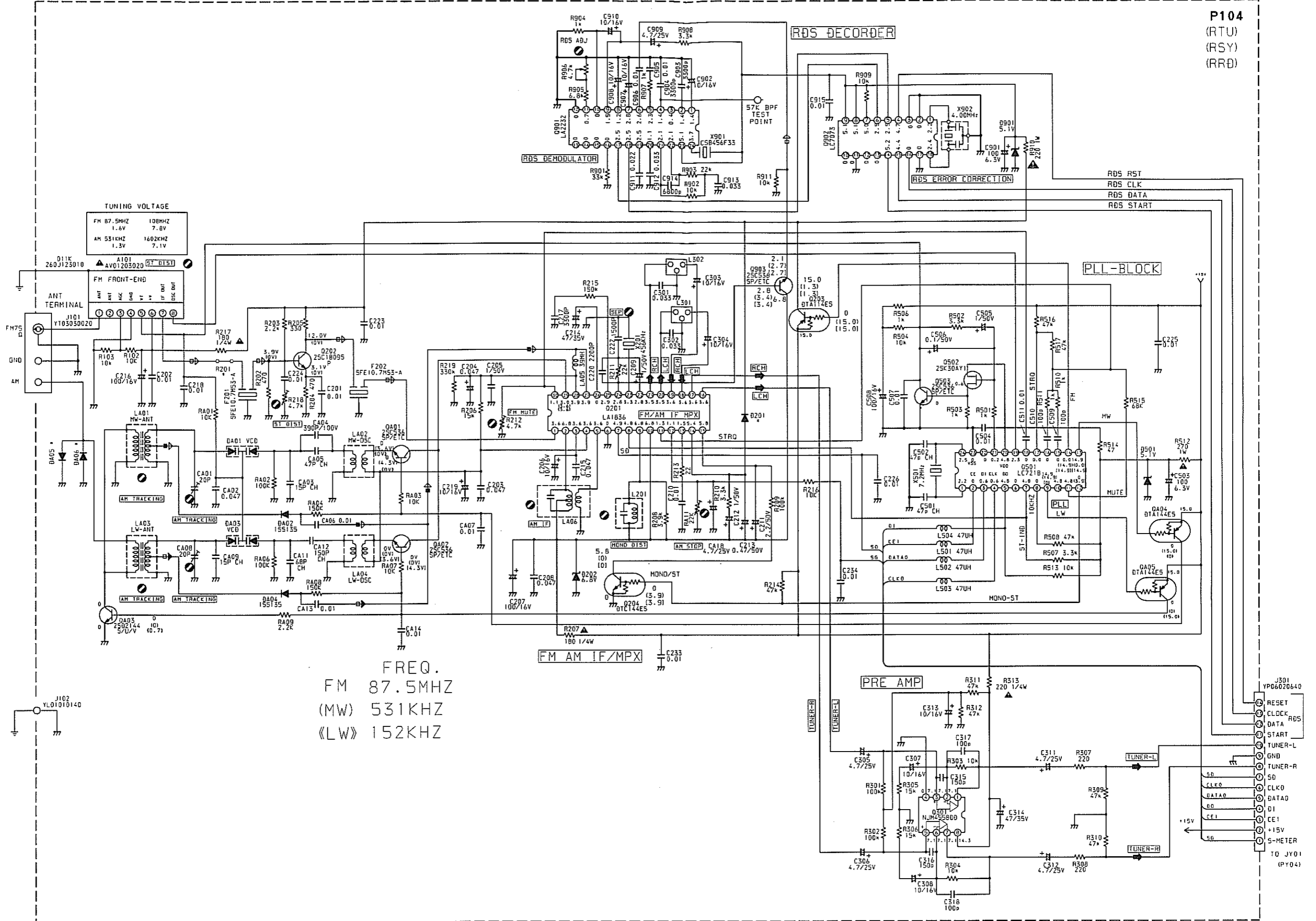


PL94-Aux In P.C. Board (/02 version)

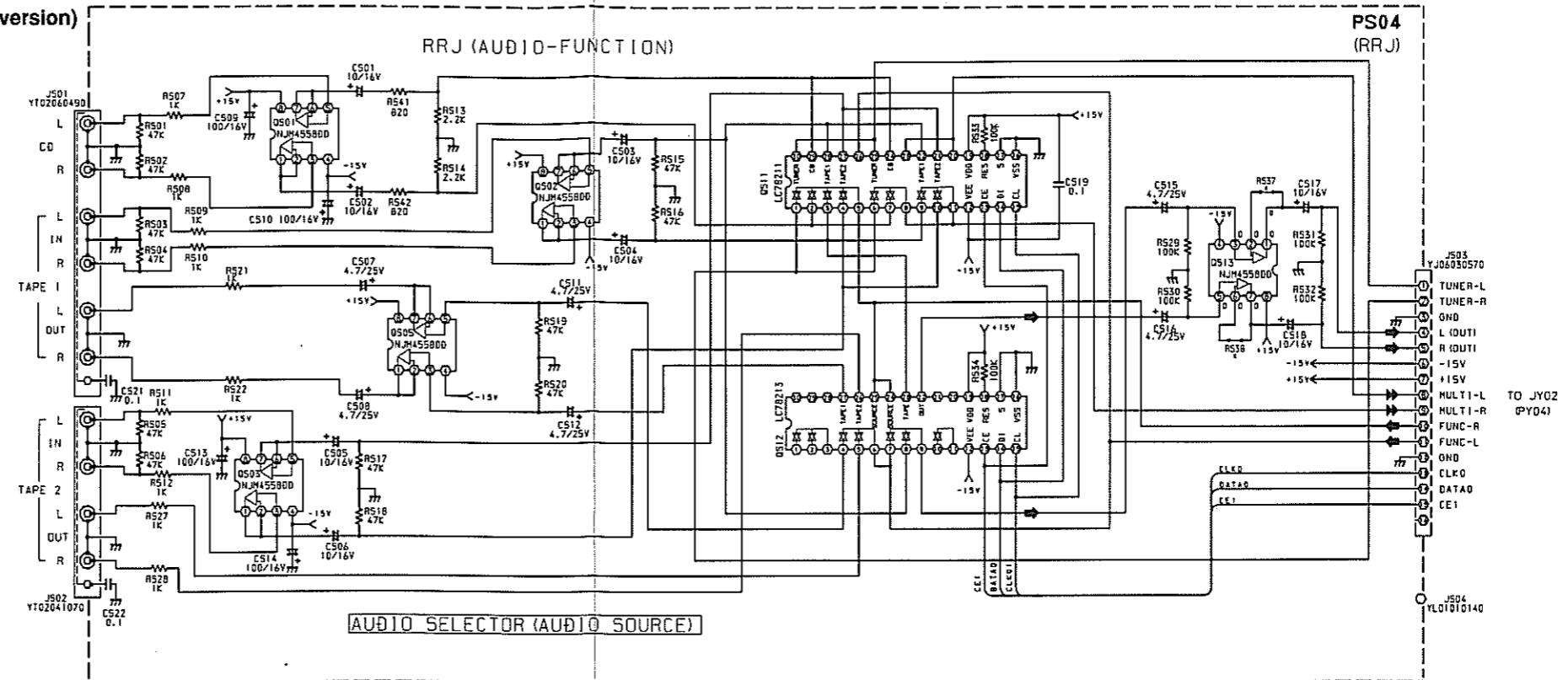


P104-Tuner P.C. Board (U/K version)

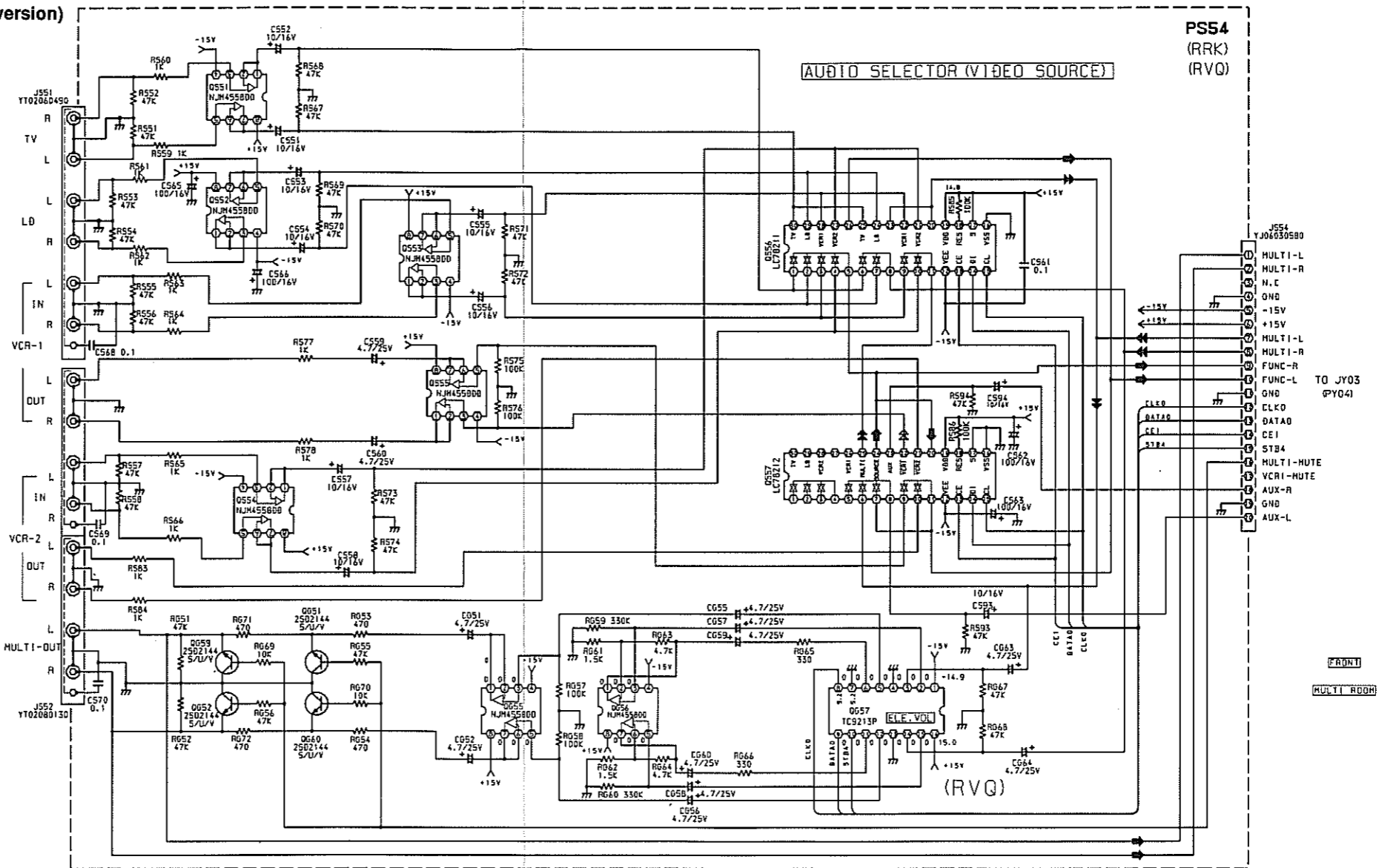




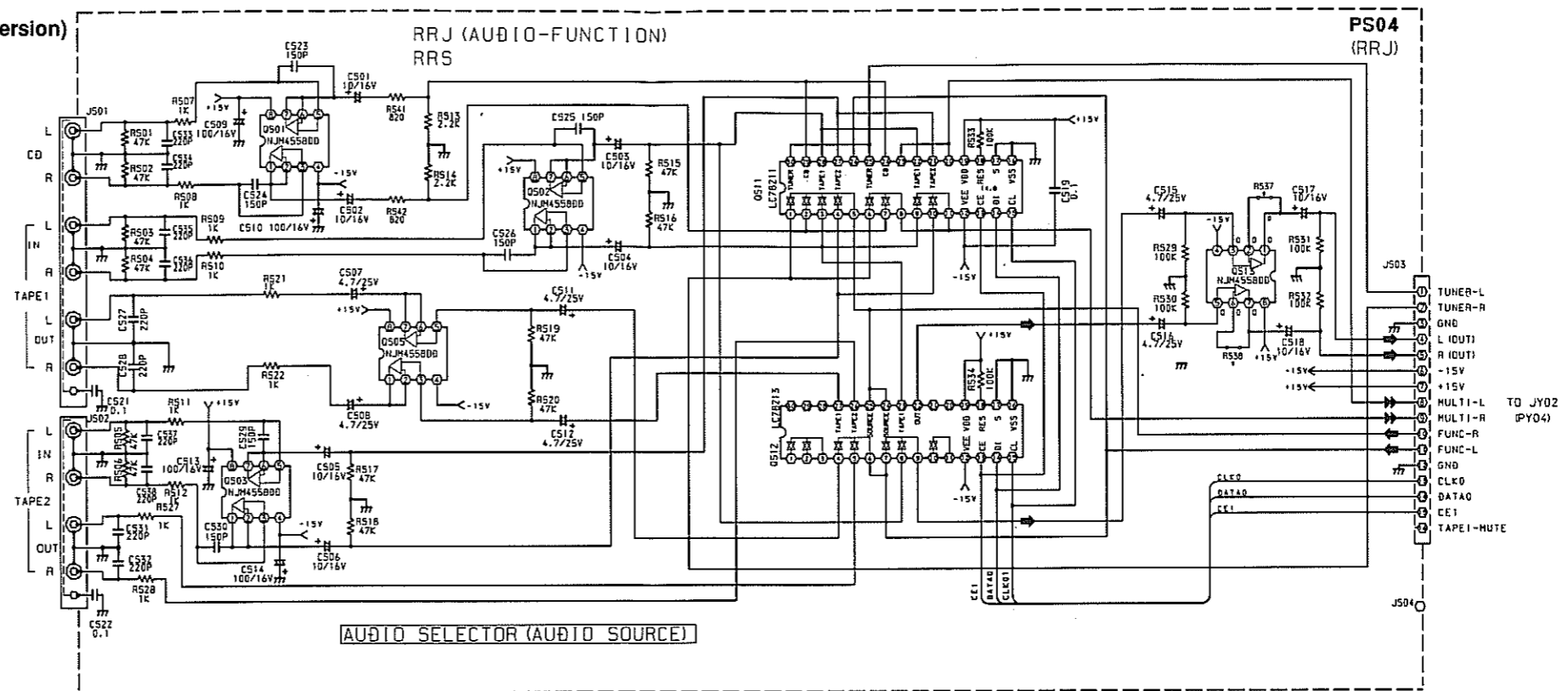
PS04-Audio Function P.C. Board (U/K version)



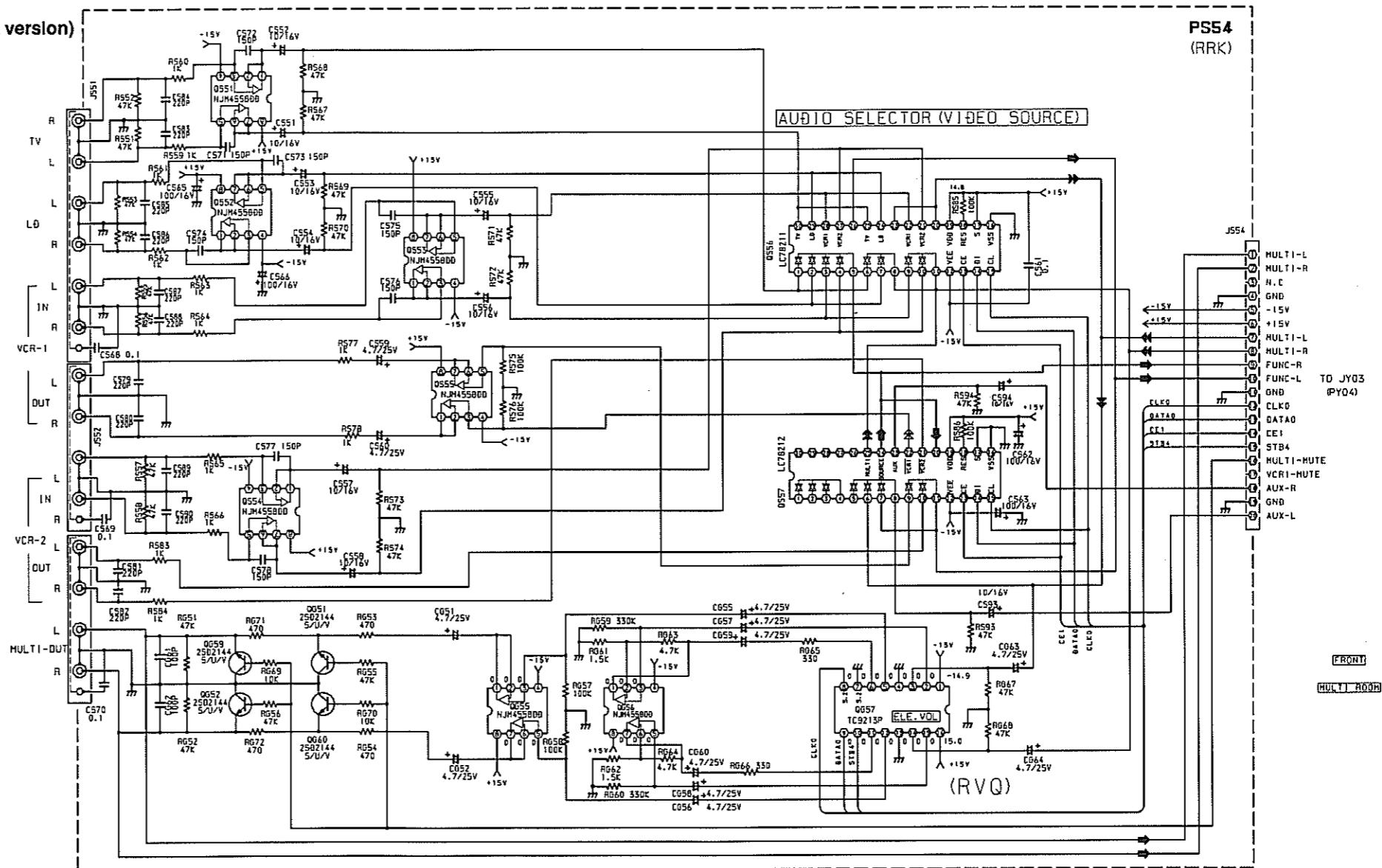
PS54-V-Audio Function P.C. Board (U/K version)



PS04-Audio Function P.C. Board (/02 version)

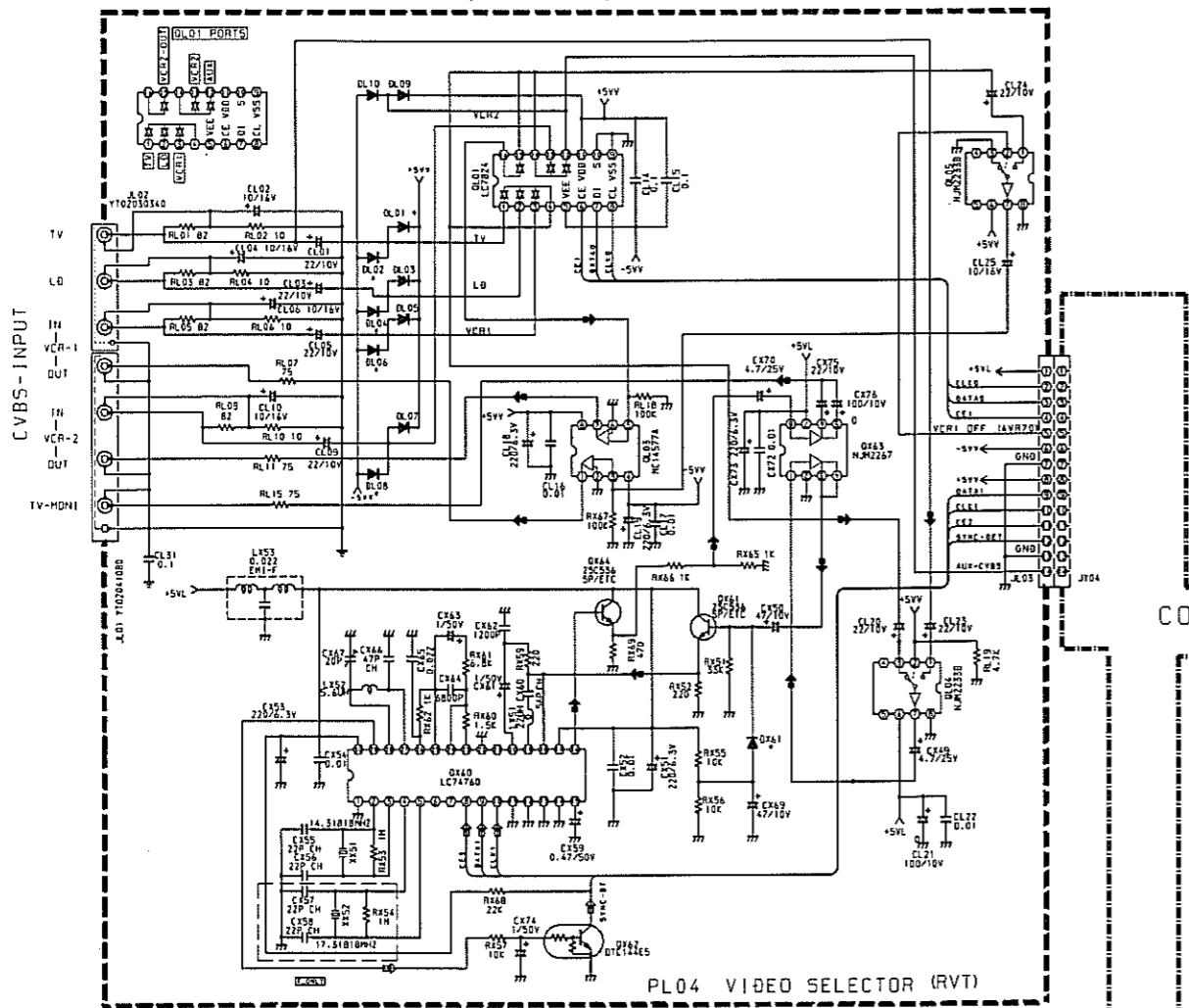


PS54-V-Audio Function P.C. Board (/02 version)



PL04-Video Selector P.C. Board (U/K version)

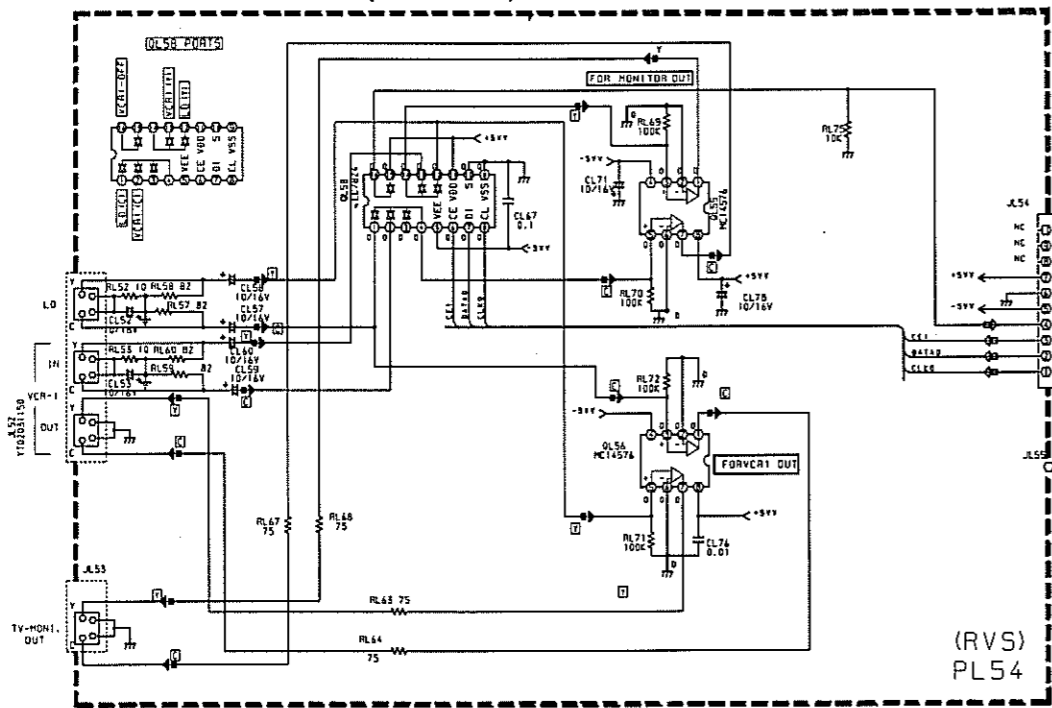
SR870 ONLY



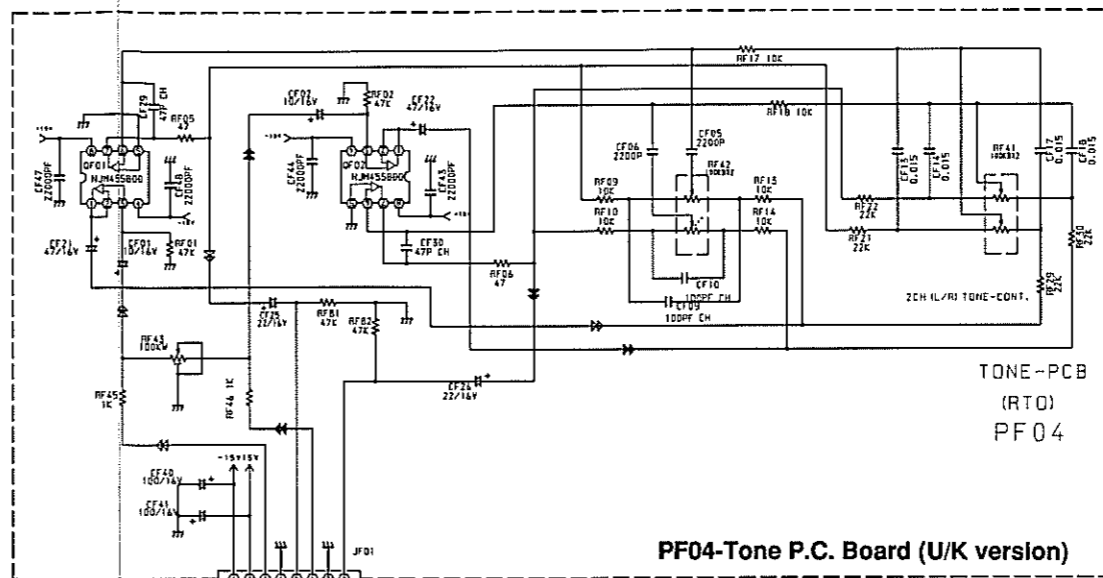
PL04 VIDEO SELECTOR (RVT)

PL54-S-Video P.C. Board (U/K version)

SR870 ONLY

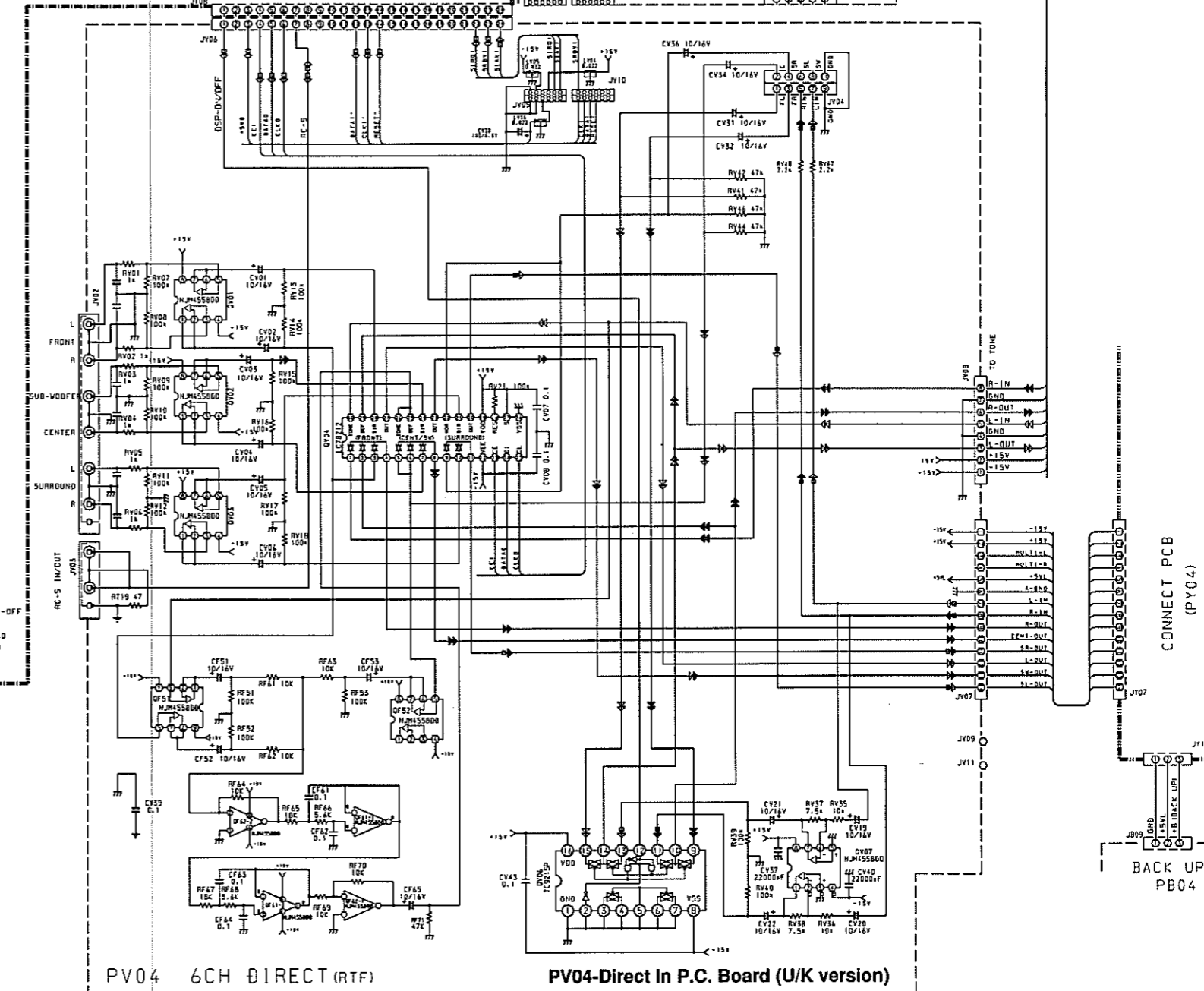


(RVS)
PL54



PF04-Tone P.C. Board (U/K version)

CONNECT PCB (PY04)

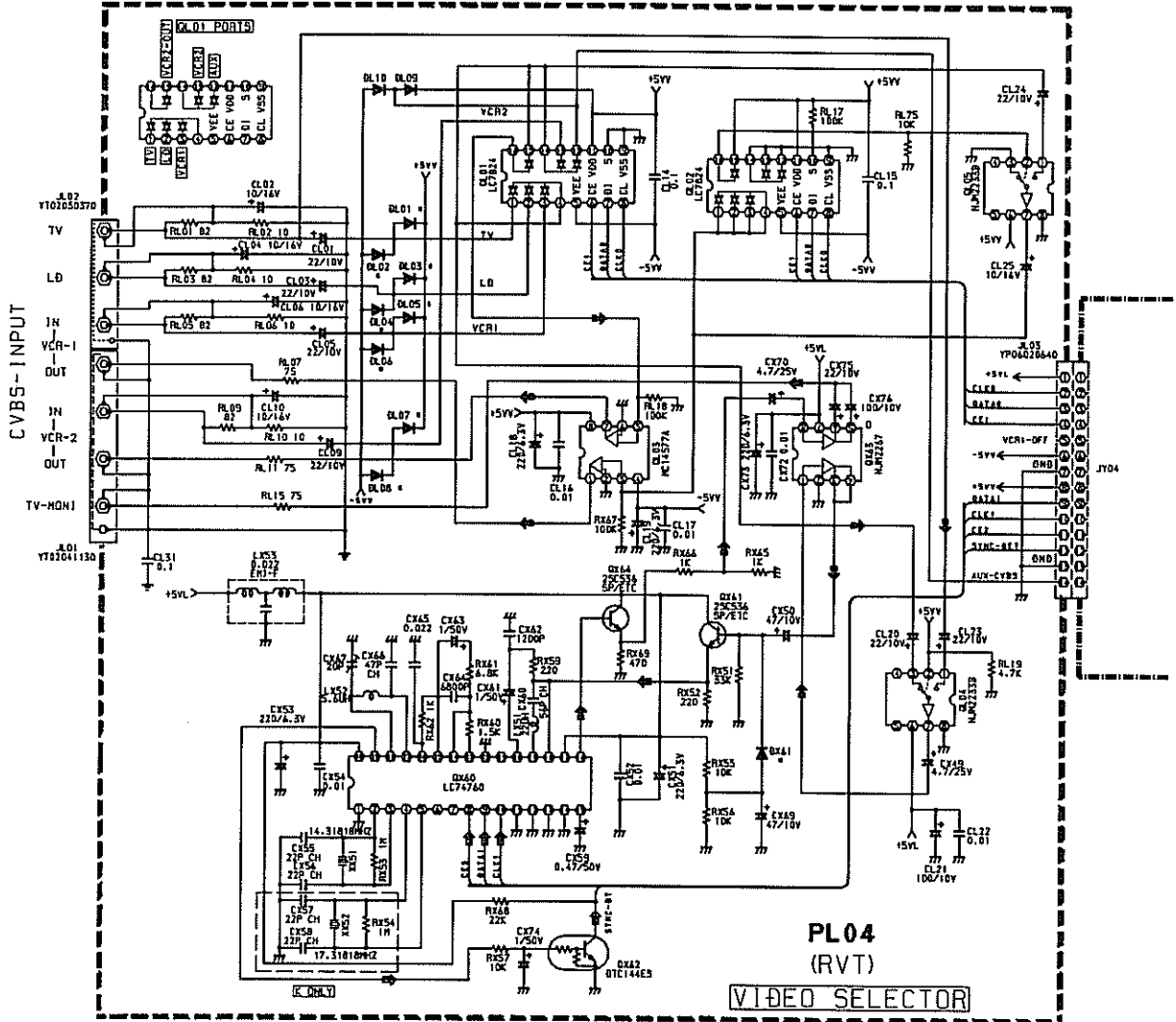


PV04 6CH DIRECT (RTF)

PV04-Direct In P.C. Board (U/K version)

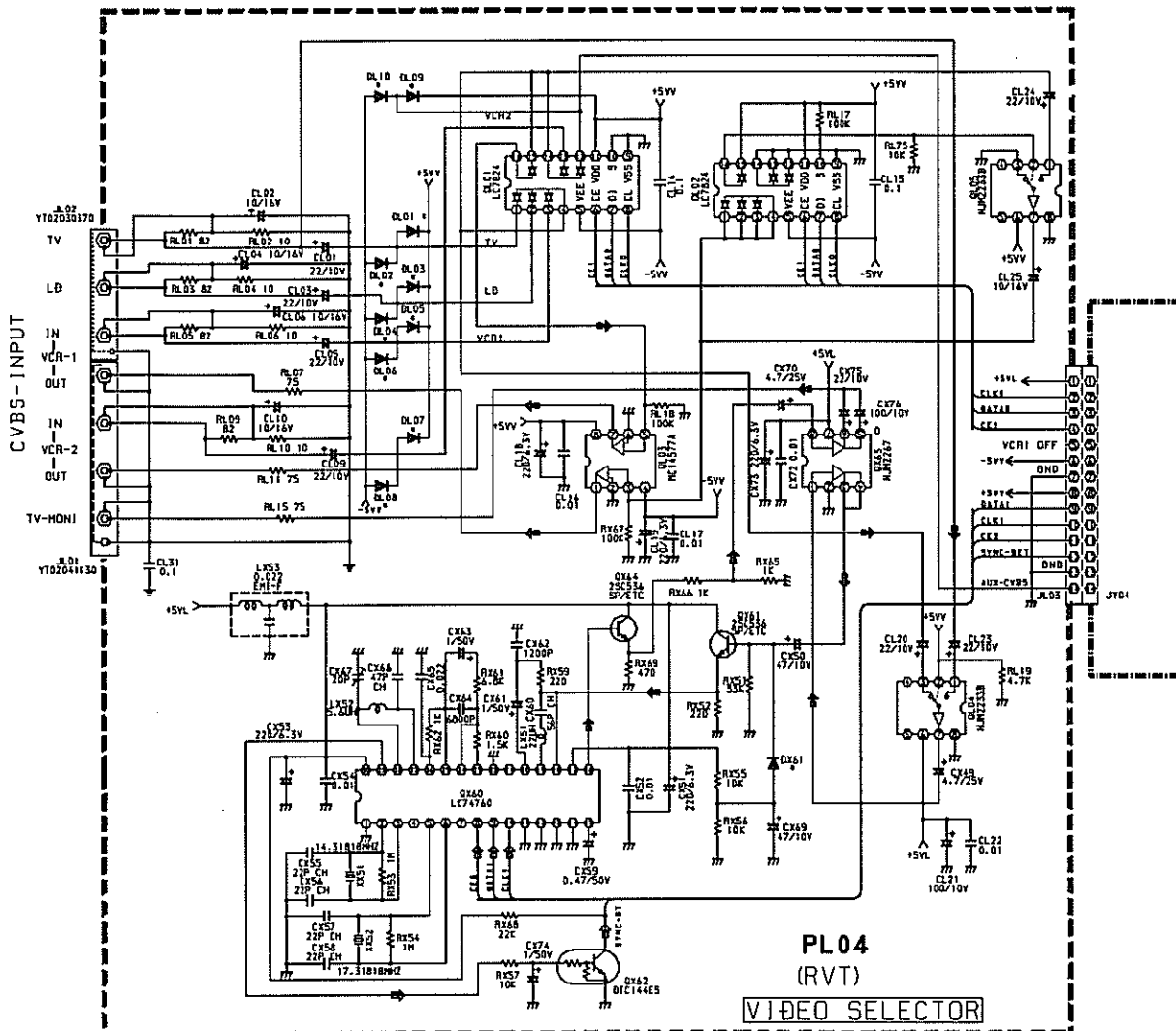
PL04-Video Selector P.C. Board (U/K version)

SR770 ONLY

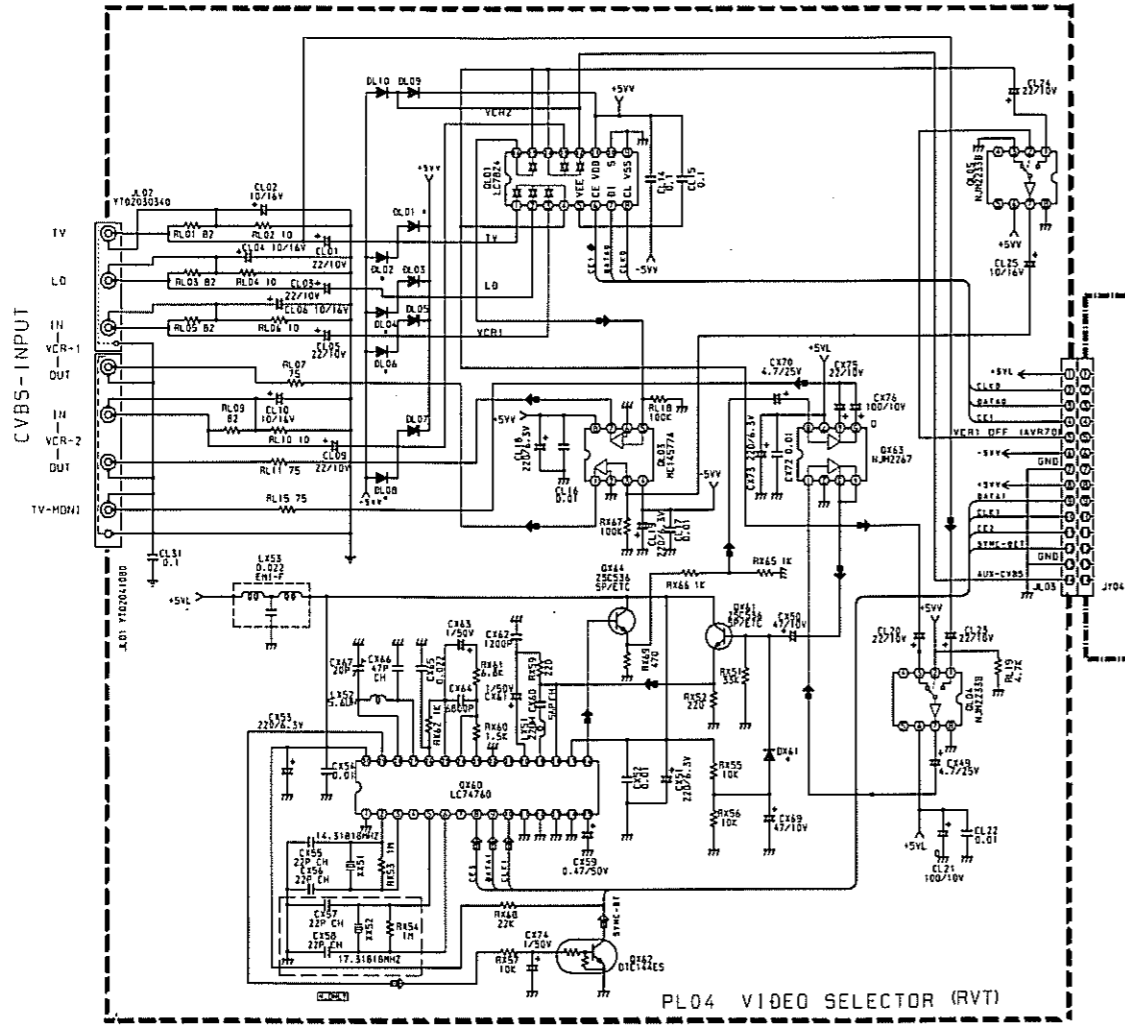


PL04-Video Selector P.C. Board (/02 version)

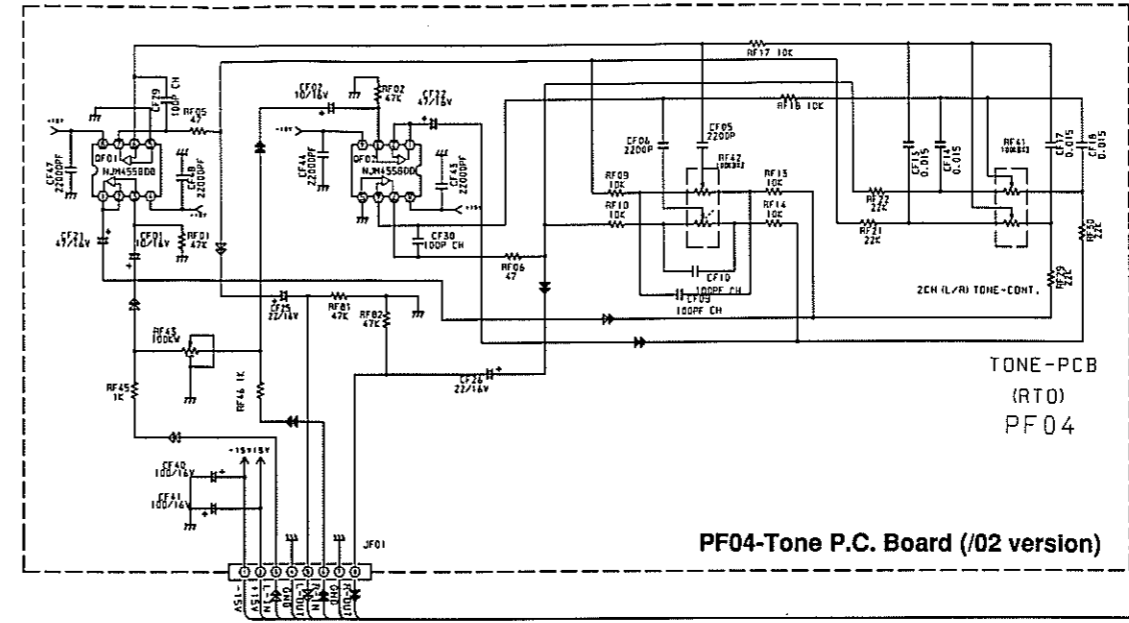
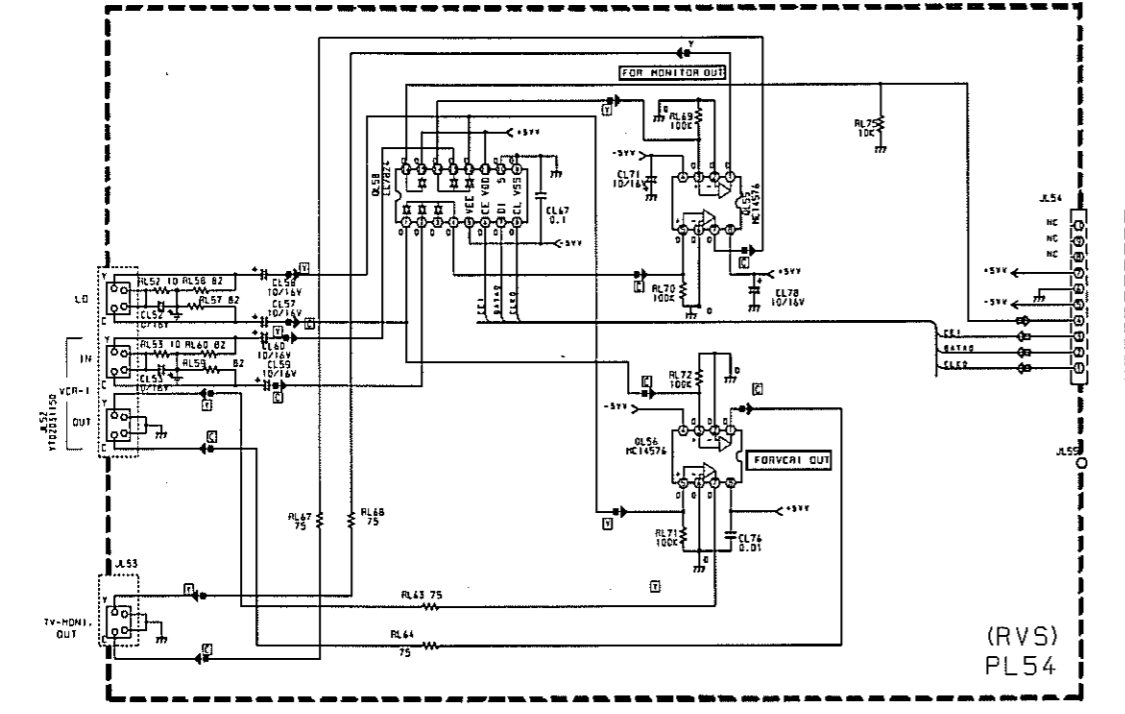
SR770 ONLY



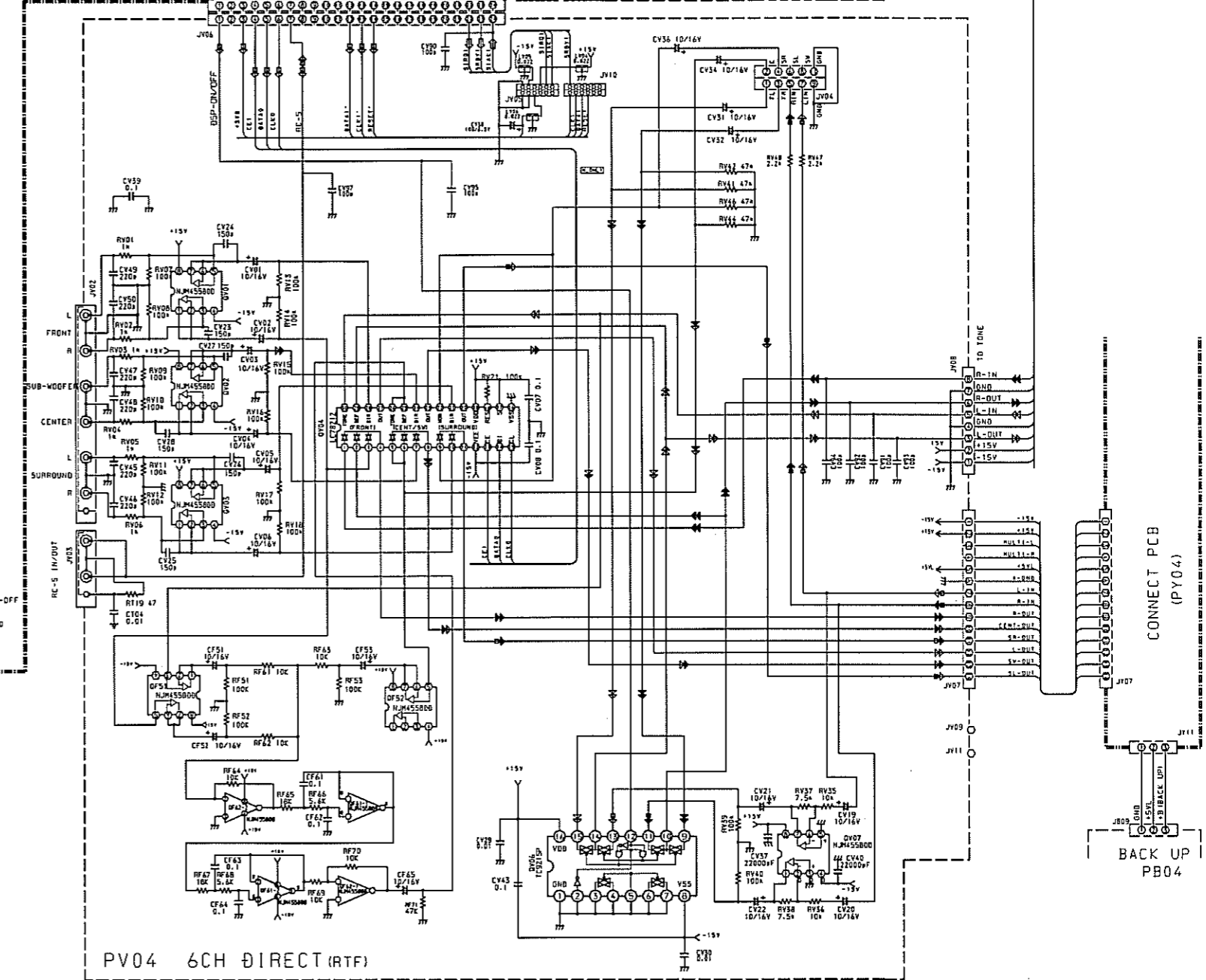
PL04-Video Selector P.C. Board (/02 version) SR870 ONLY



PL54-S-Video P.C. Board (/02 version) SR870 ONLY

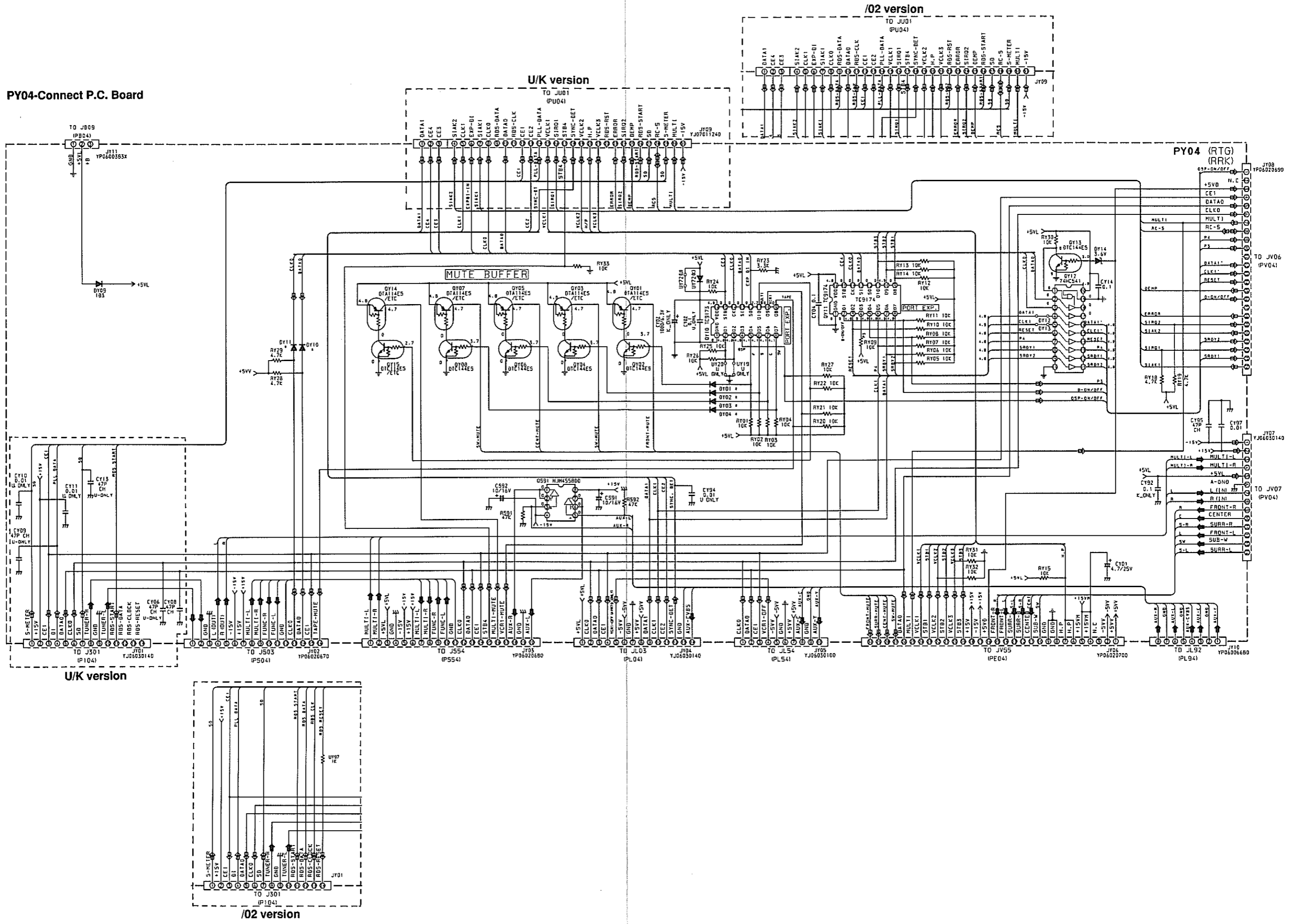


CONNECT PCB (PY04) DSP P604

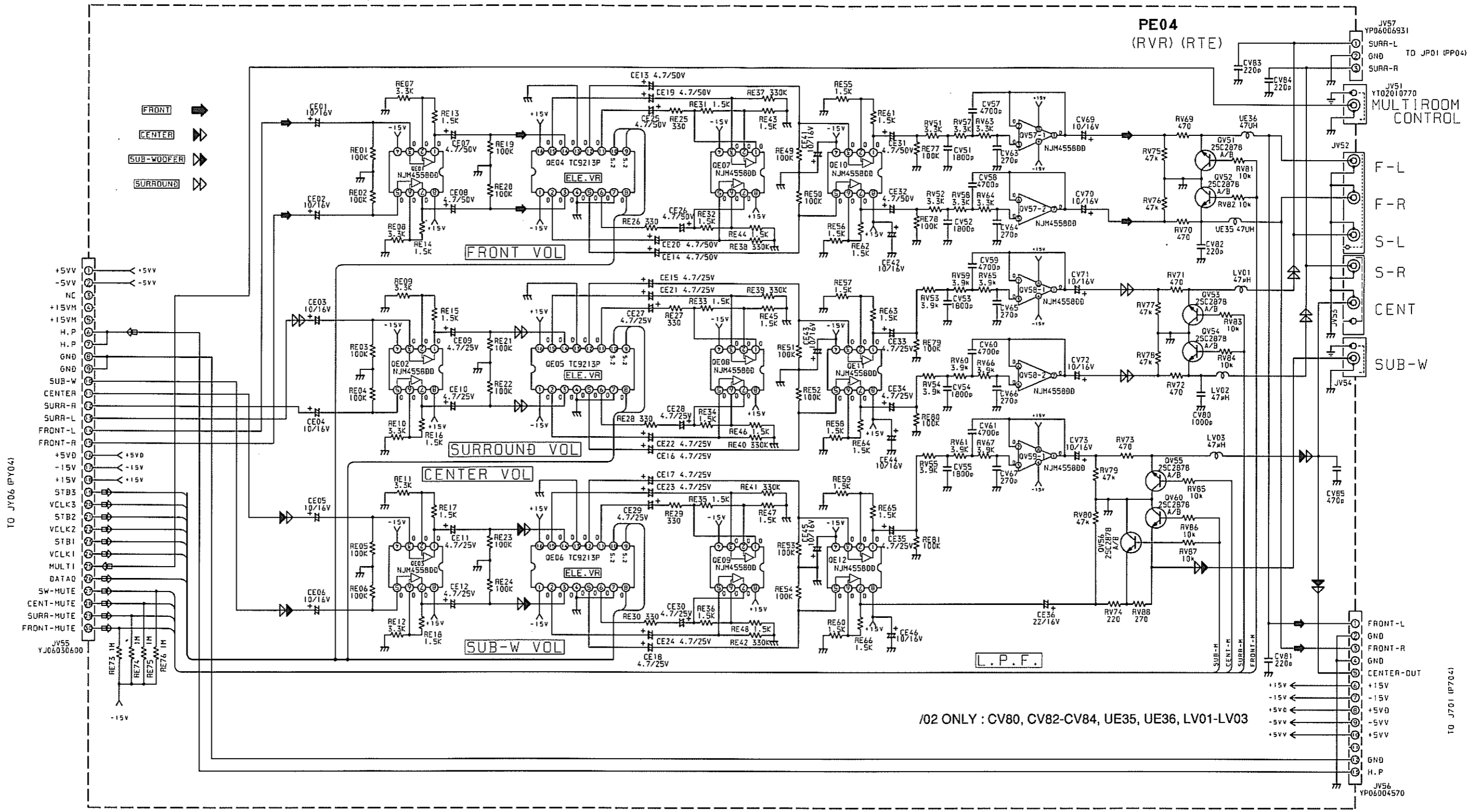


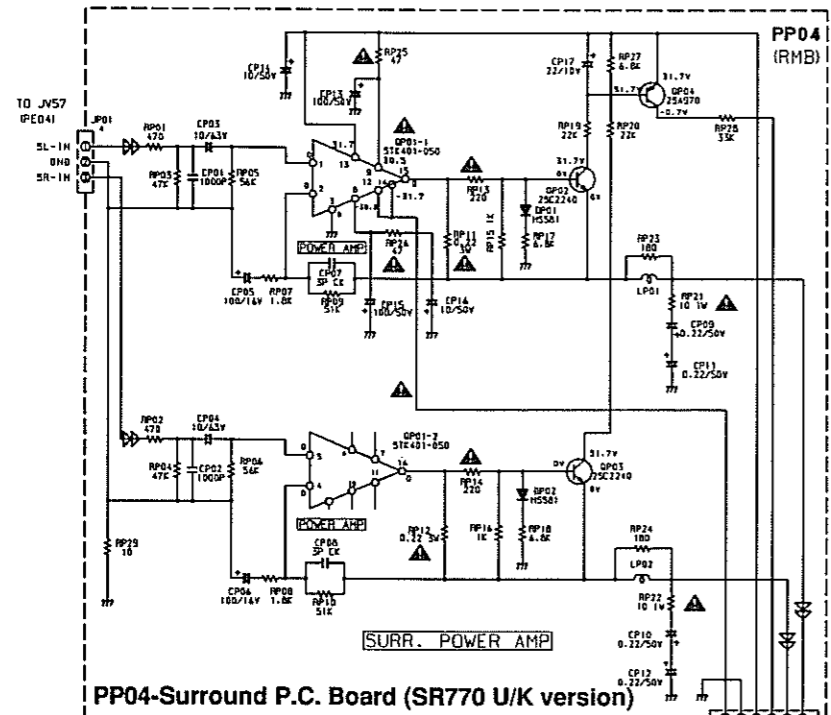
PV04-Direct In P.C. Board (/02 version)

PY04-Connect P.C. Board

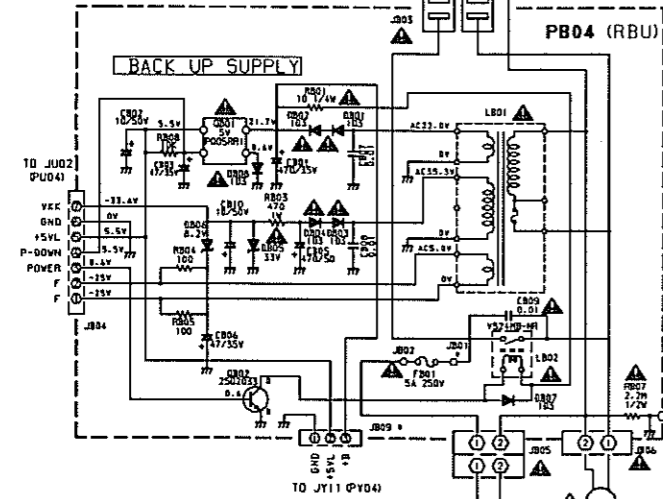


PE04-Ele. Vol P.C. Board



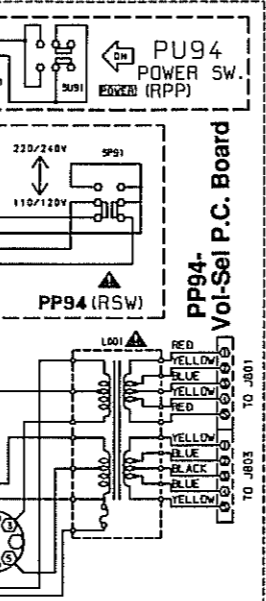


PB04-Back Up P.C. Board (SR770 U version)

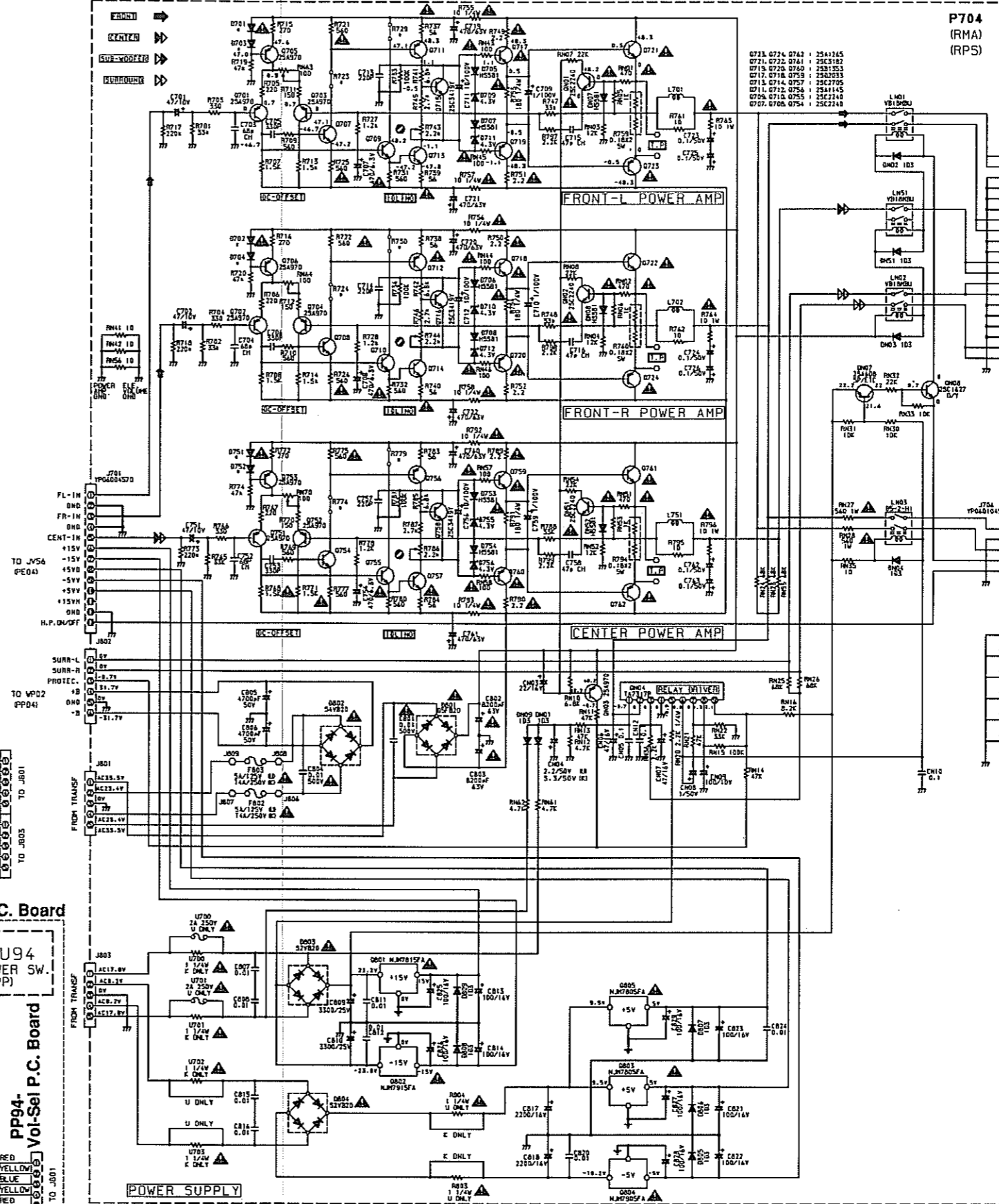


(SR770 K version)

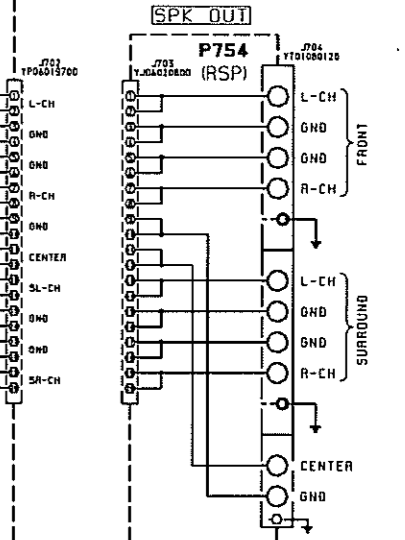
PU94-Power SW P.C. Board



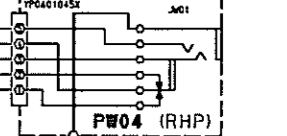
P704-Main Amp P.C. Board (SR770 U/K version)



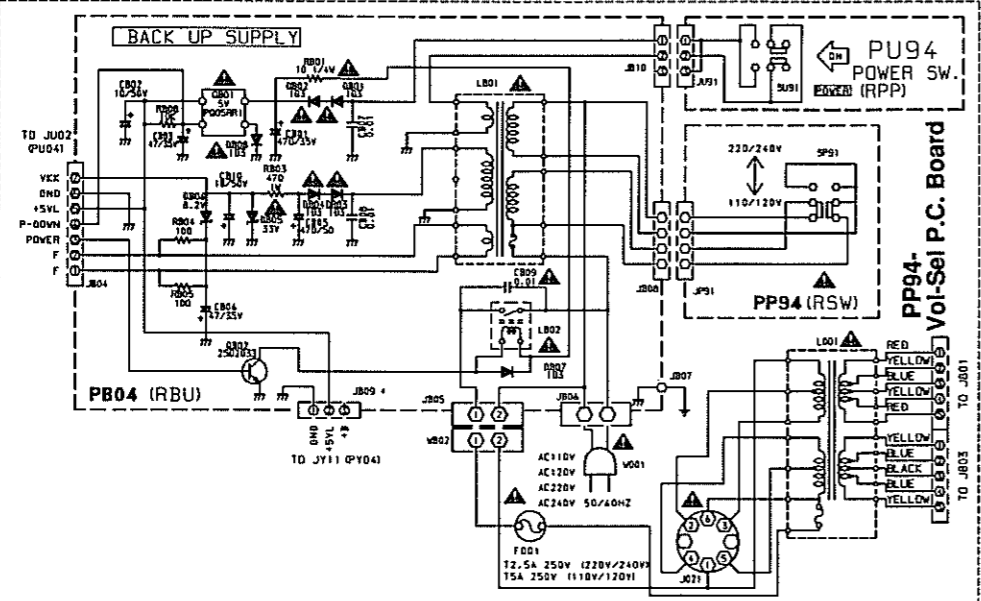
P754-SPK Terminal P.C. Board (SR770 U/K version)

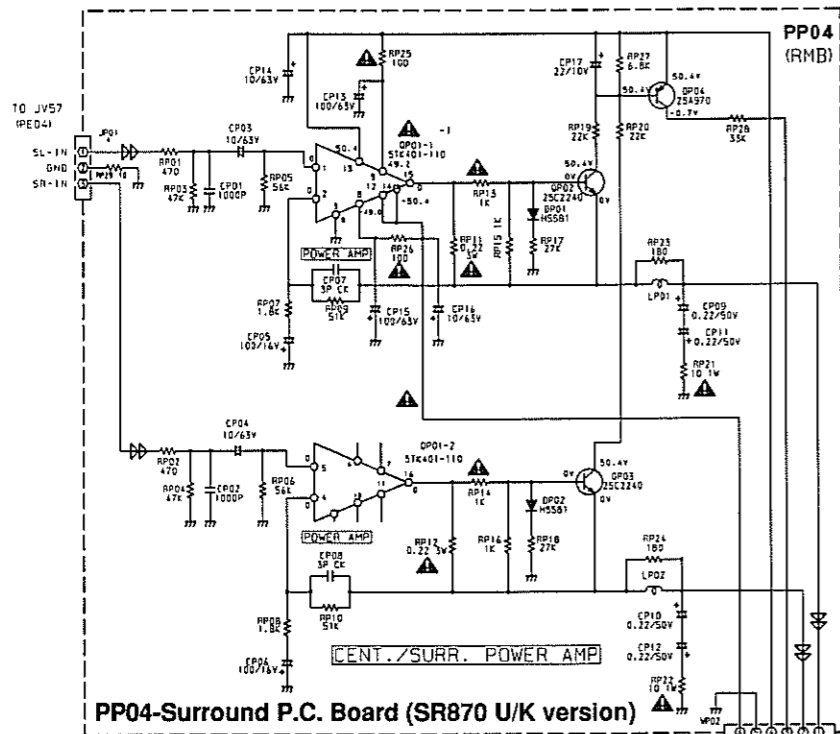


HEAD PHONE

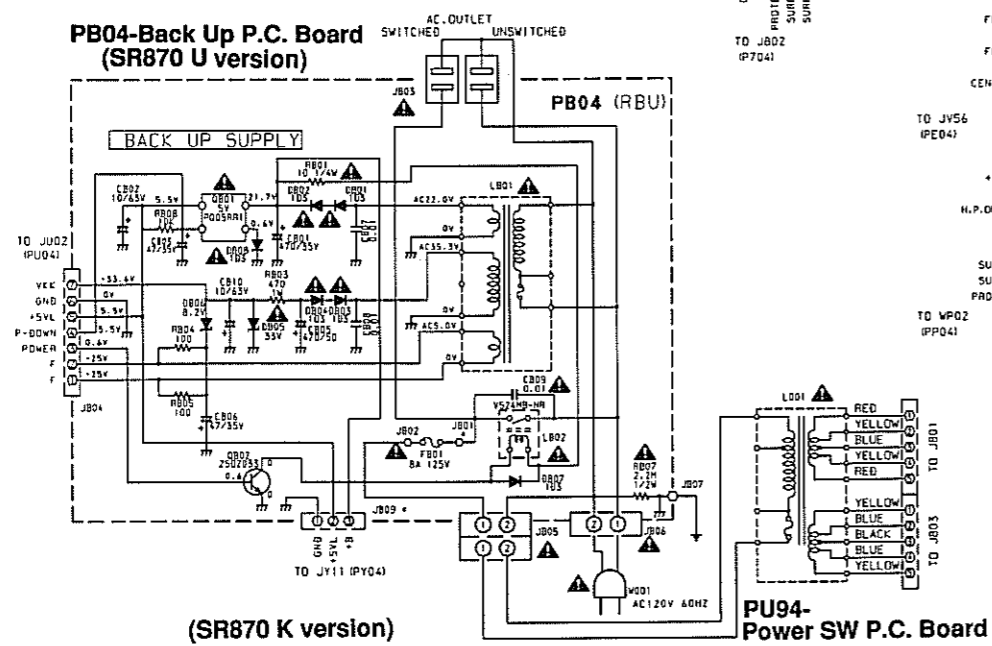


PW04-H.P. P.C. Board (SR770 U/K version)



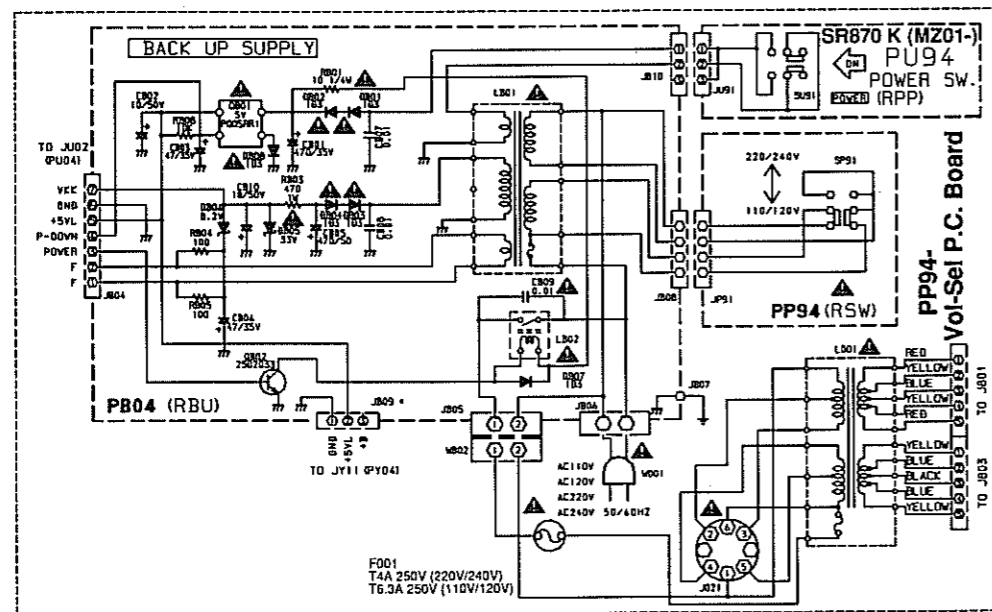


PB04-Back Up P.C. Board (SR870 U version)

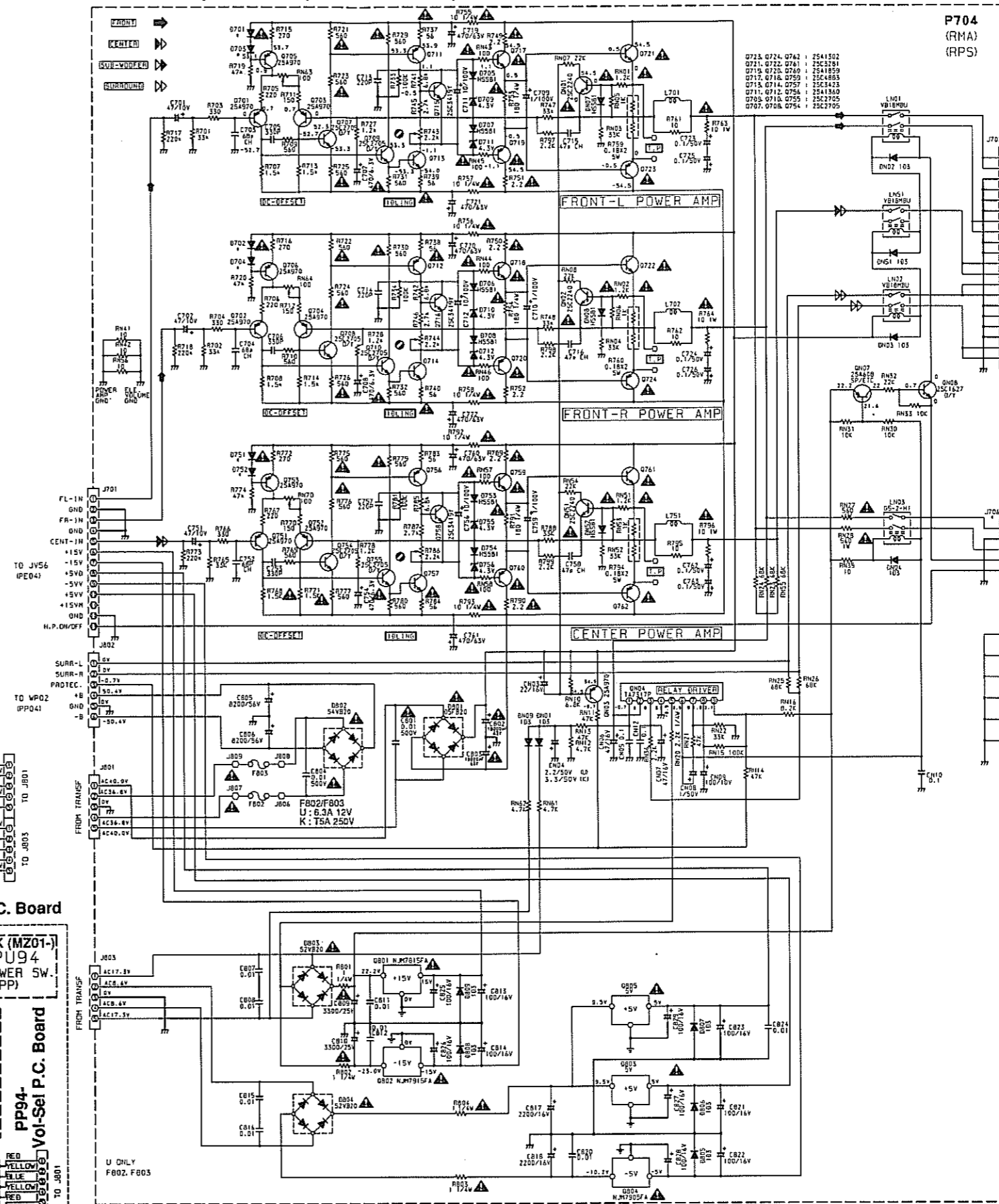


(SR870 K version)

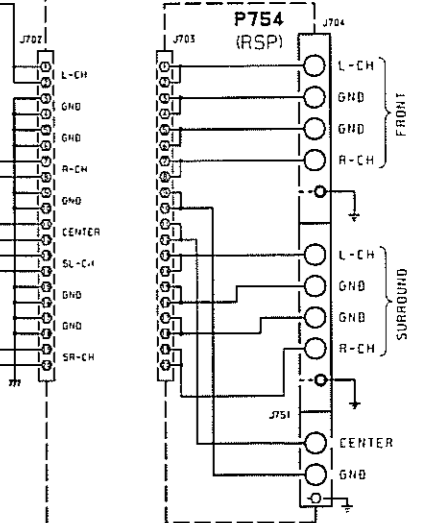
PU94-Power SW P.C. Board



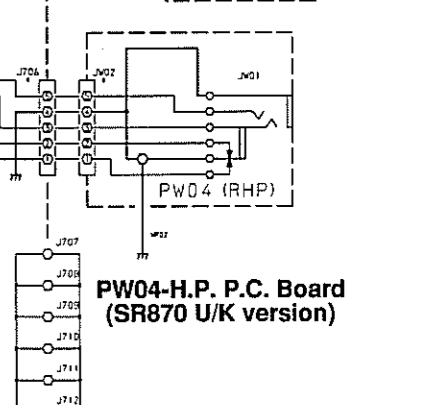
P704-Main Amp P.C. Board (SR870 U/K version)



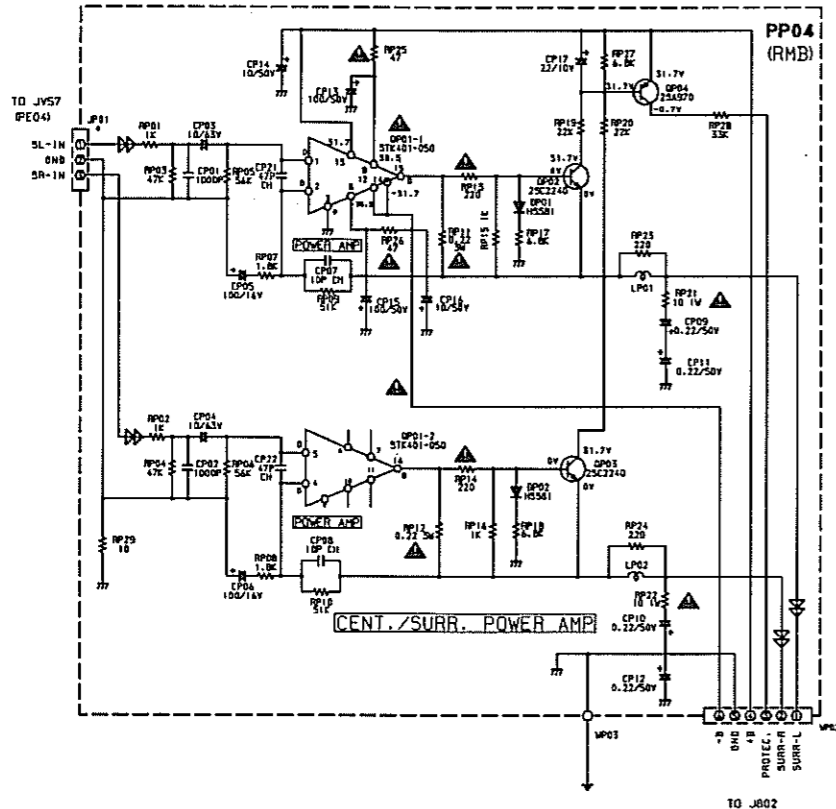
P754-SPK Terminal P.C. Board (SR870 U/K version)



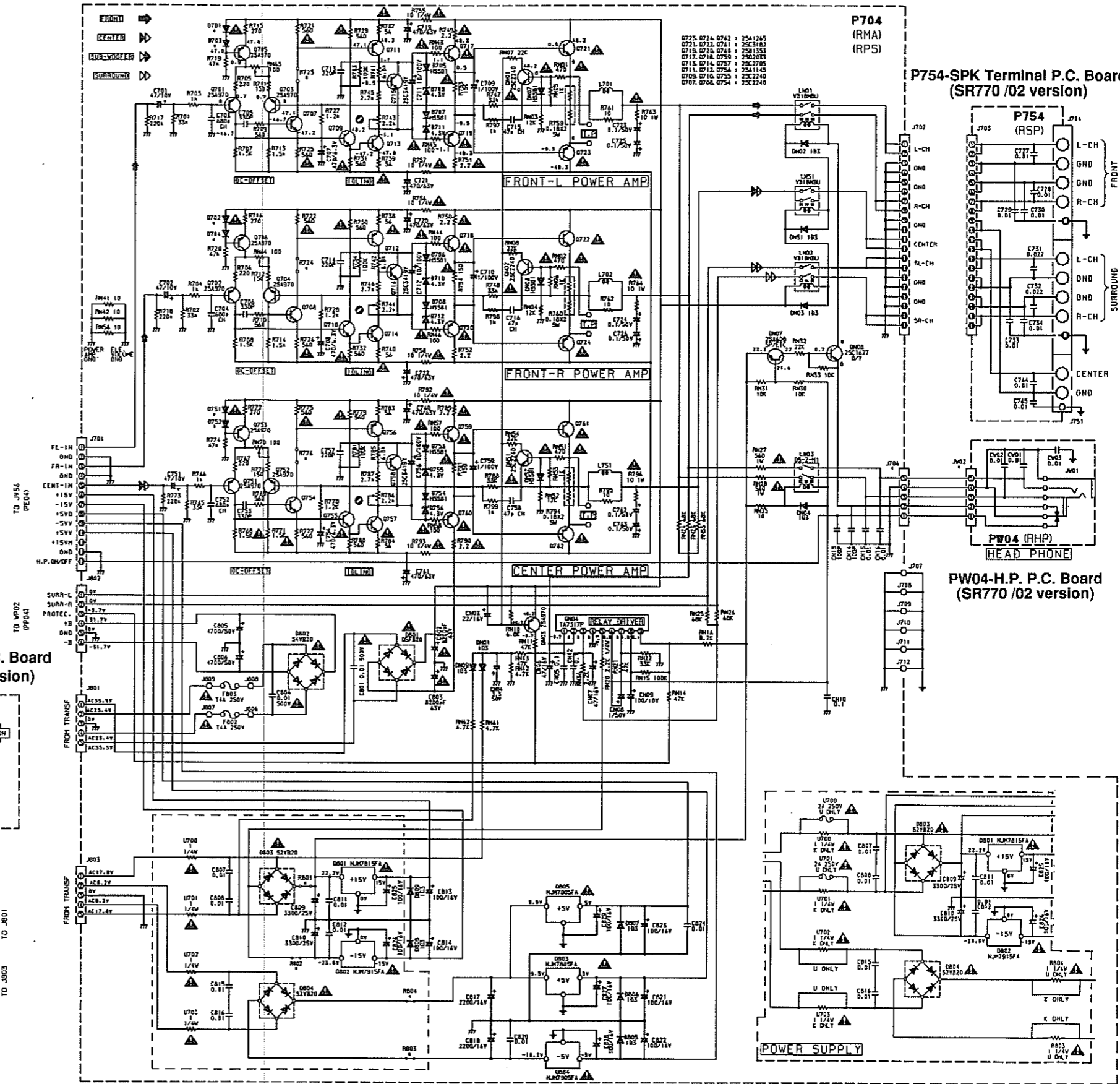
PW04-H.P. P.C. Board (SR870 U/K version)



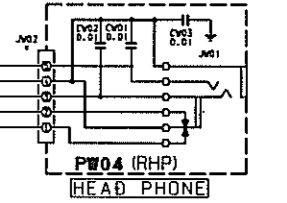
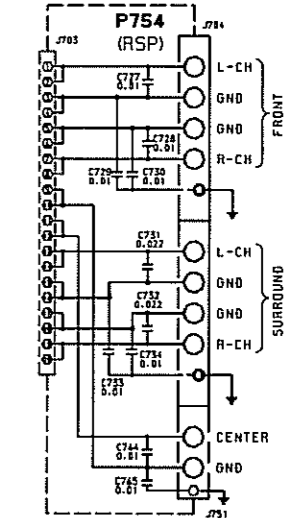
PP04-Surround P.C. Board (SR770 /02 version)



P704-Main Amp P.C. Board (SR770 /02 version)

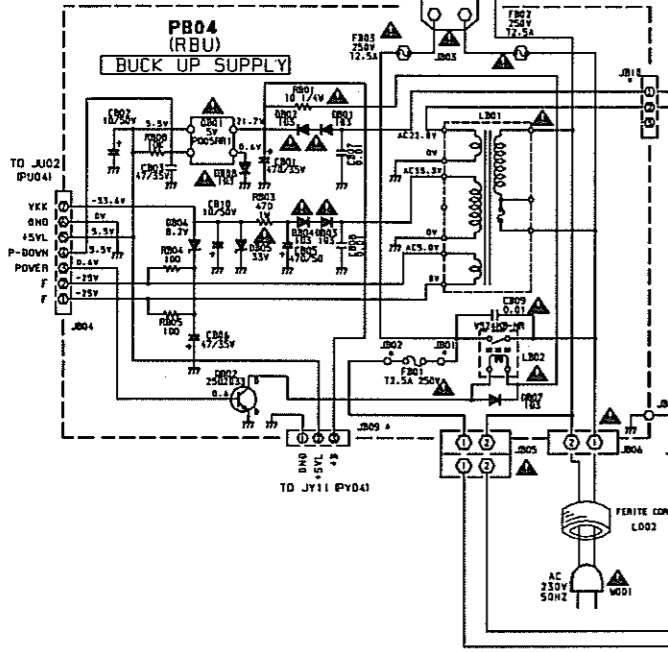


P754-SPK Terminal P.C. Board (SR770 /02 version)

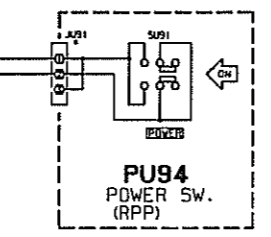


PW04-H.P. P.C. Board (SR770 /02 version)

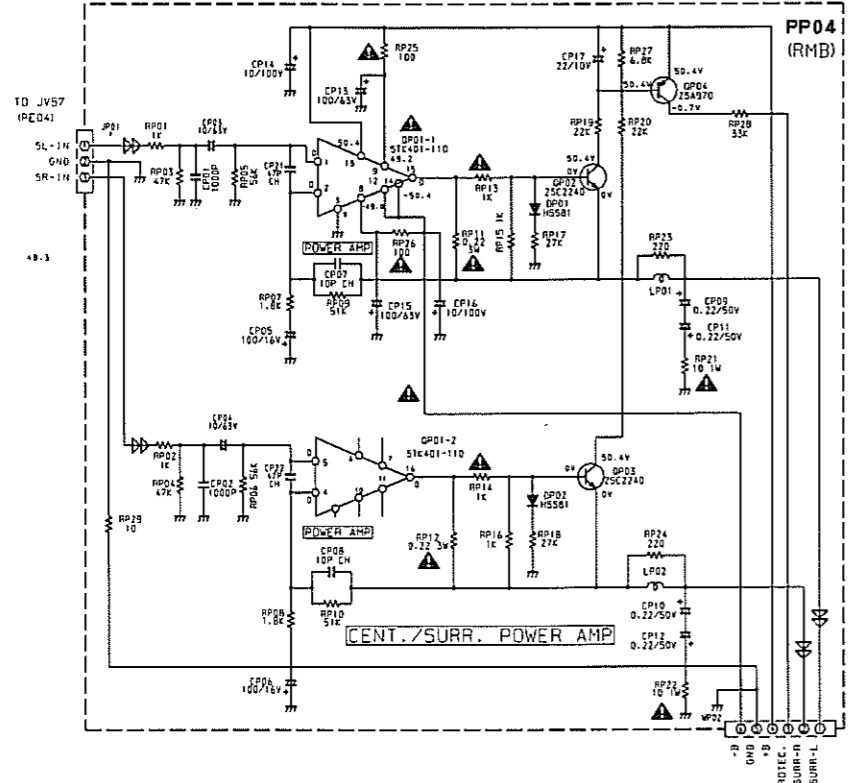
PB04-Back Up P.C. Board (SR770 /02 version)



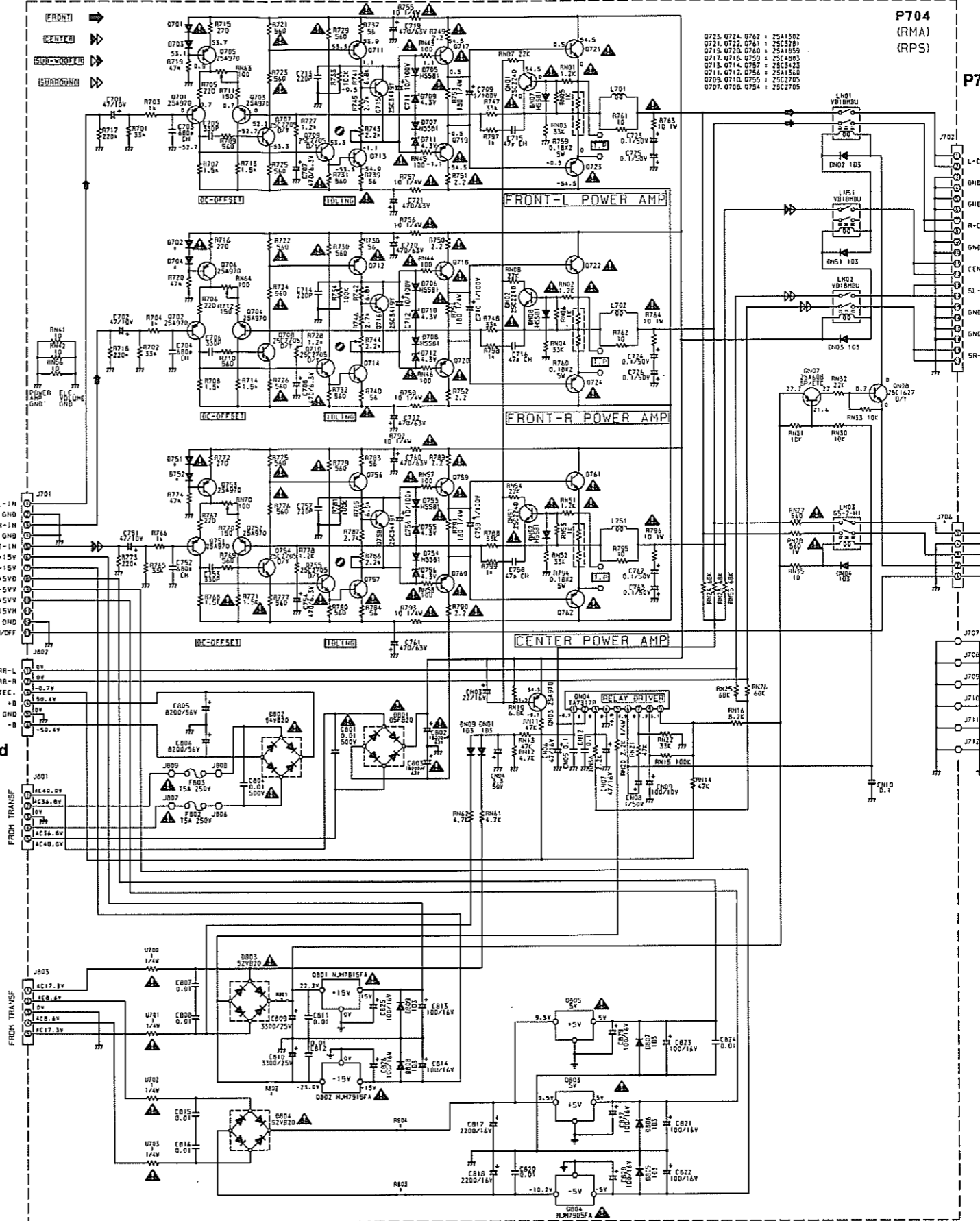
PU94-Power SW P.C. Board (SR770 /02 version)



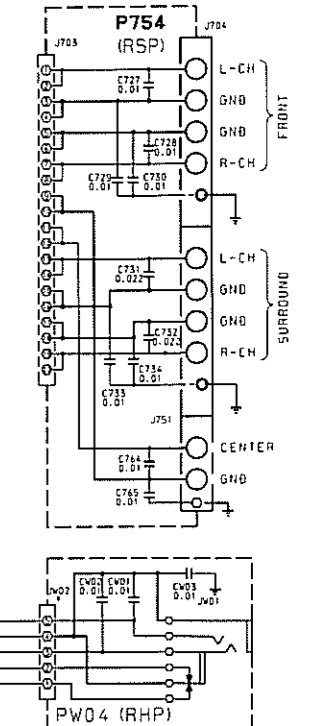
PP04-Surround P.C. Board (SR870 /02 version)



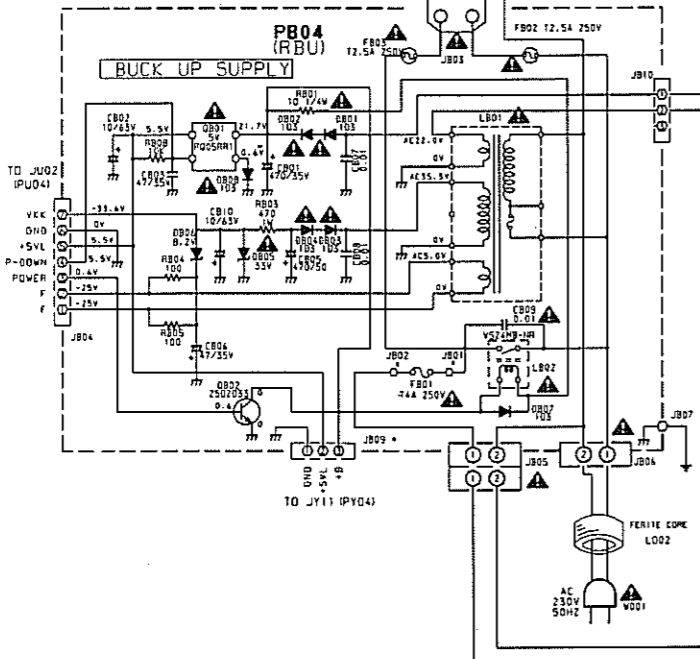
P704-Main Amp P.C. Board (SR870 /02 version)



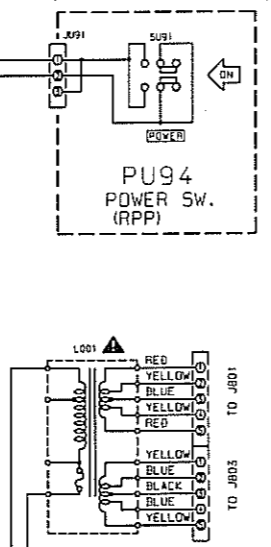
P754-SPK Terminal P.C. Board (SR870 /02 version)



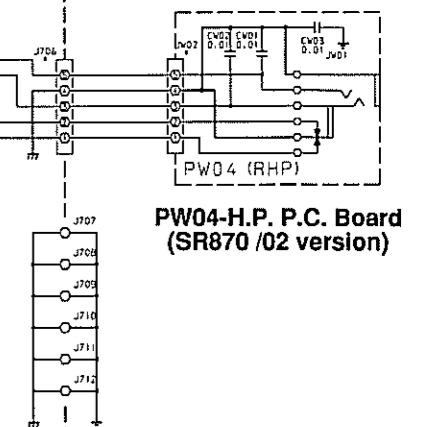
PB04-Back Up P.C. Board (SR870 /02 version)



PU94-Power SW P.C. Board (SR870 /02 version)

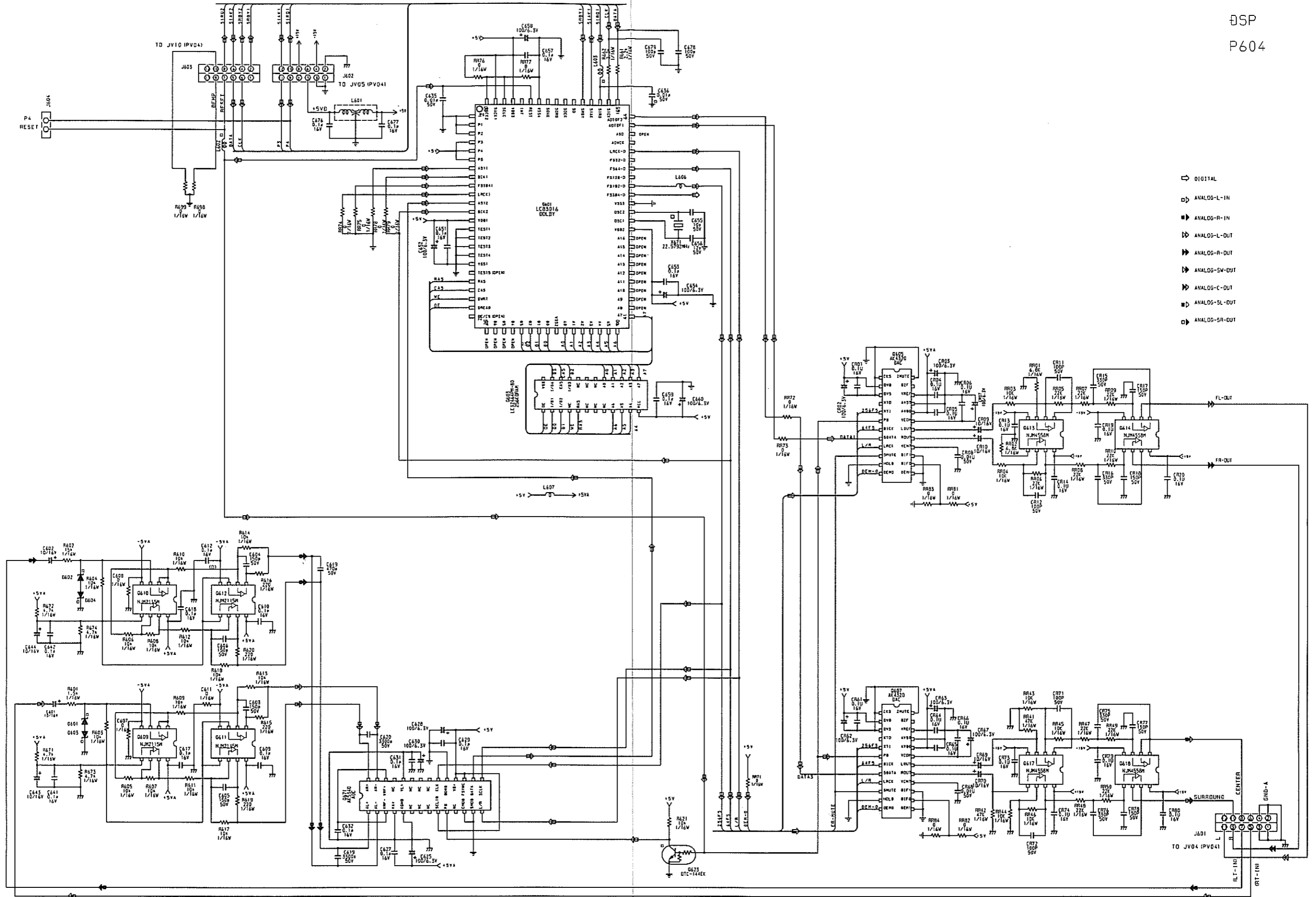


PW04-H.P. P.C. Board (SR870 /02 version)



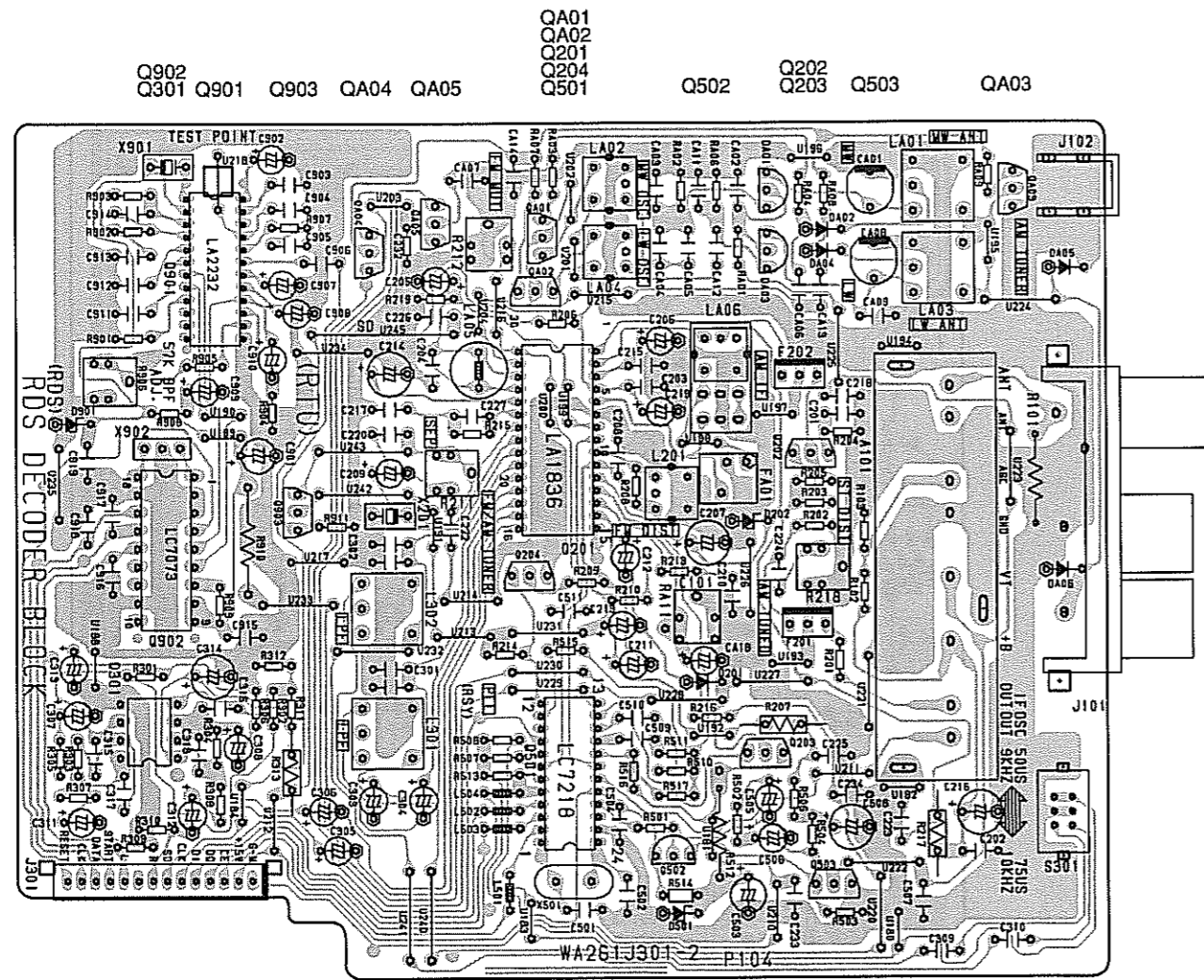
P604-THX Pro-Logic DSP P.C. Board

DSP
P604

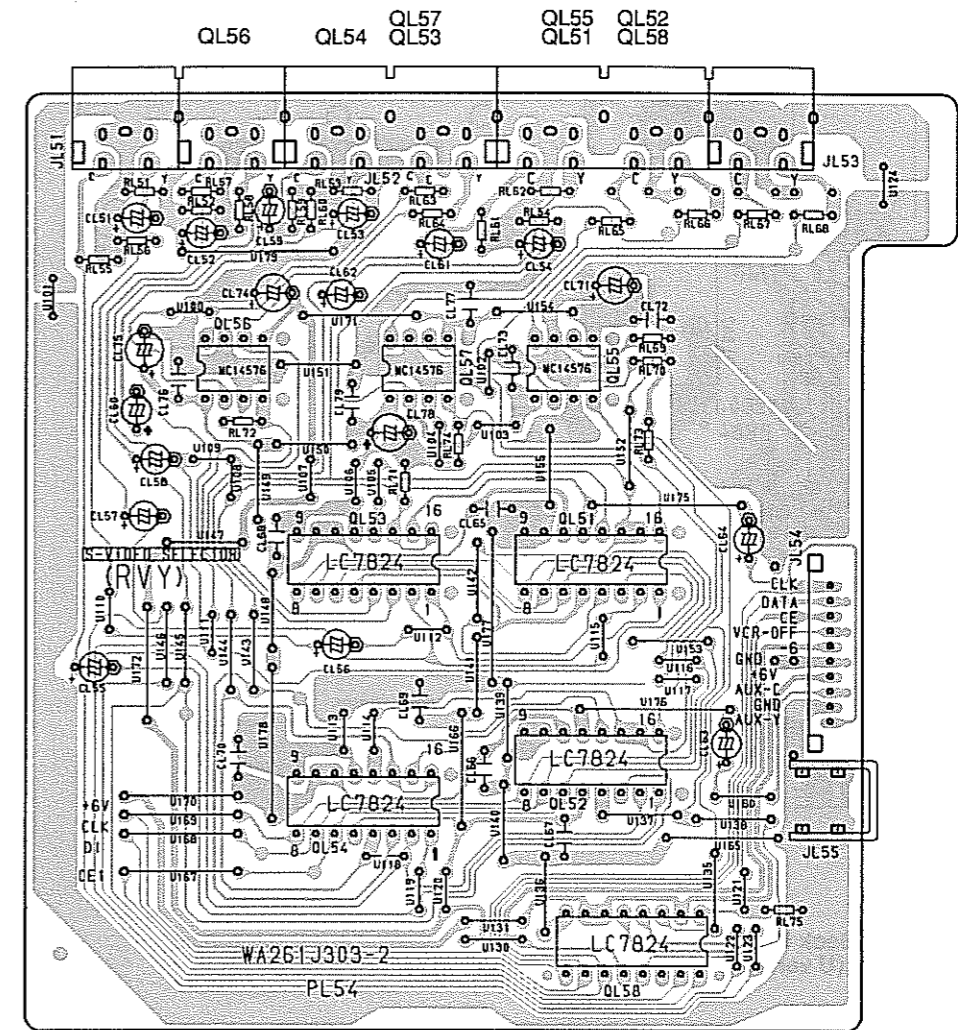


- ◻ DIGITAL
- ◻ ANALOG-L-IN
- ◻ ANALOG-R-IN
- ◻ ANALOG-L-OUT
- ◻ ANALOG-R-OUT
- ◻ ANALOG-SW-OUT
- ◻ ANALOG-C-OUT
- ◻ ANALOG-SL-OUT
- ◻ ANALOG-SR-OUT

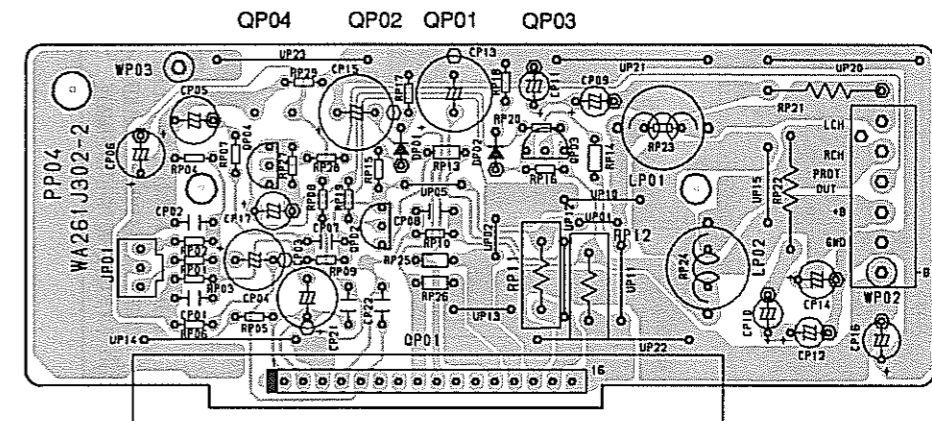
P104-Tuner P.C.Board



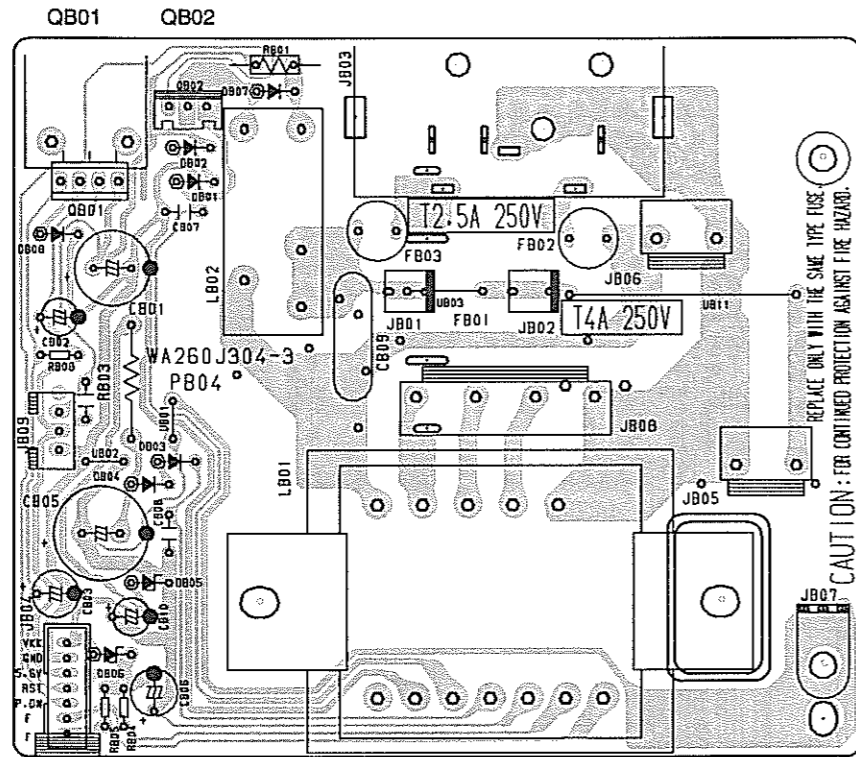
PL54-S-Video P.C.Board (SR870 only)



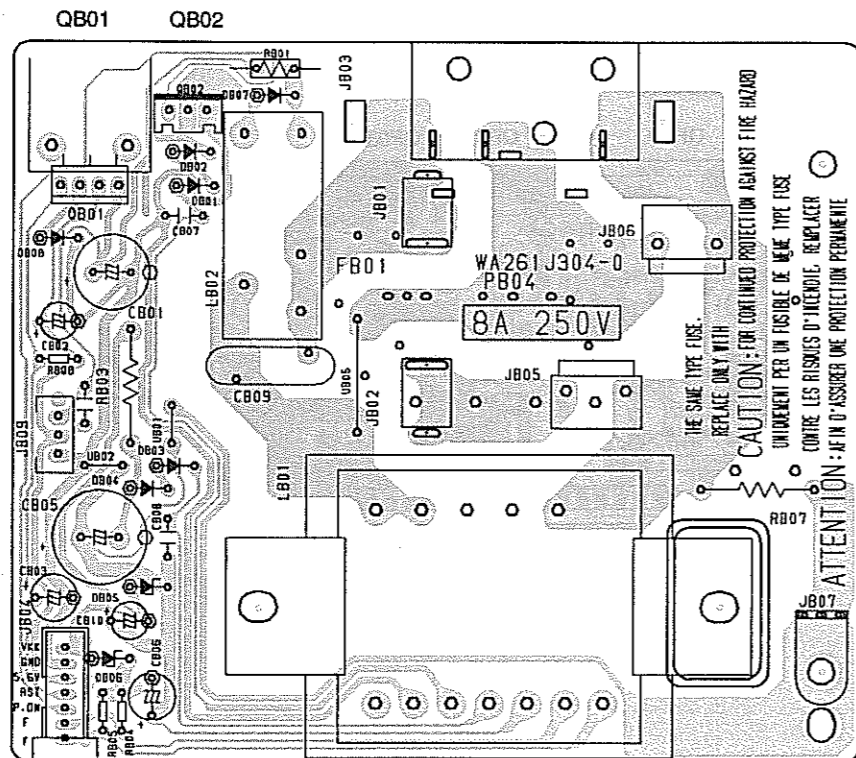
PP04-Surround P.C.Board



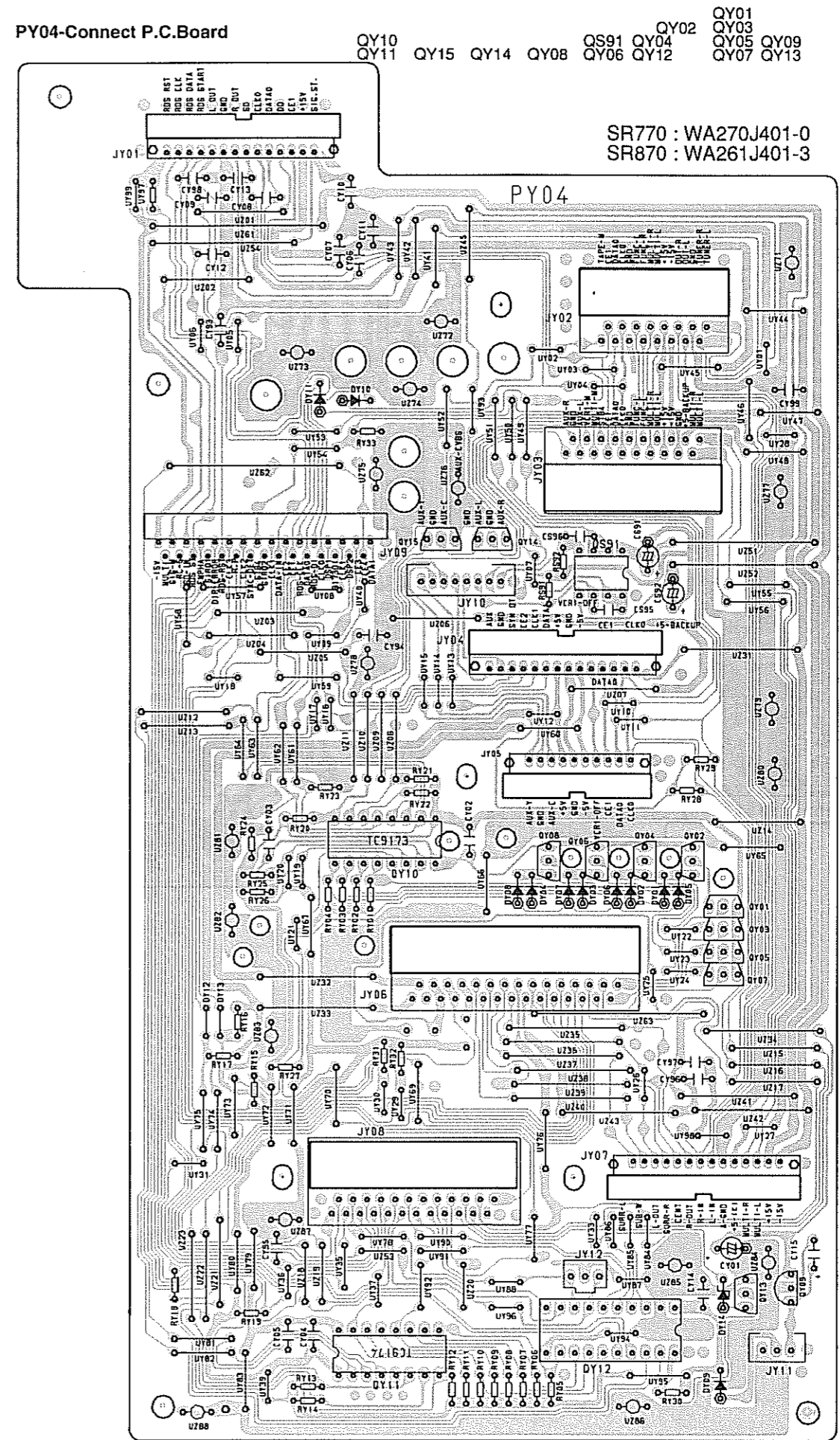
**PB04-Back Up P.C.Board
(K, /02B version)**



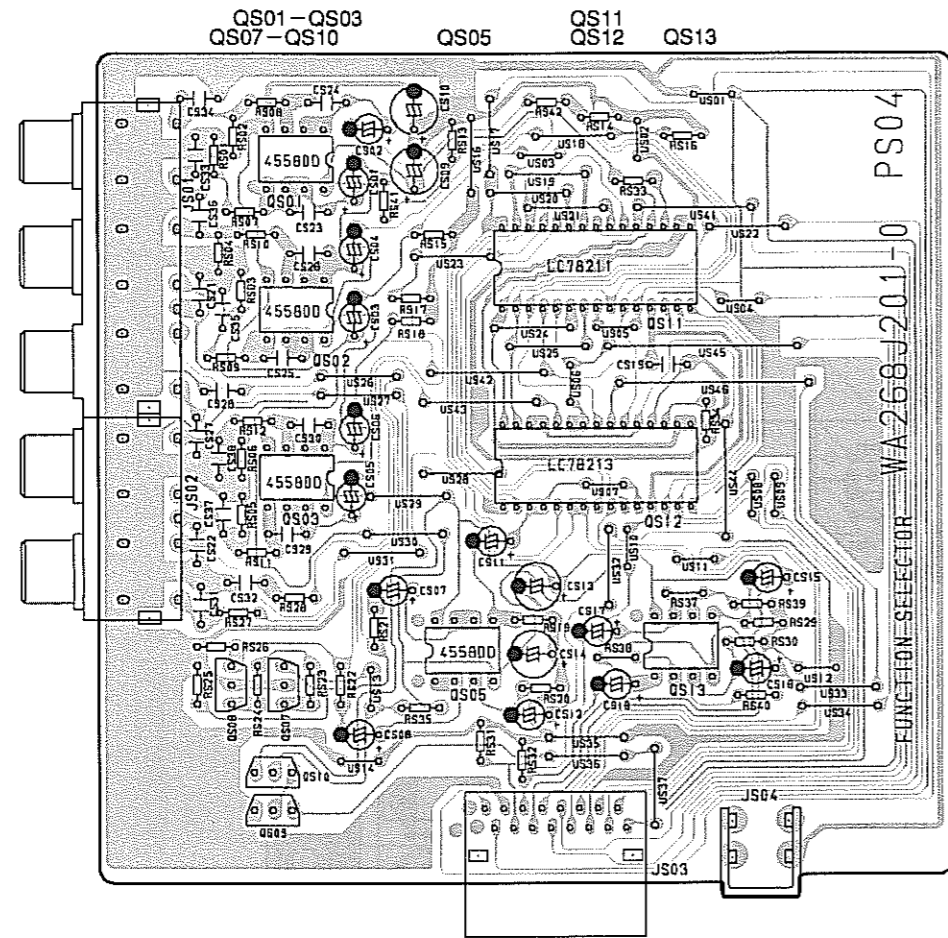
**PB04-Back Up P.C.Board
(U version)**



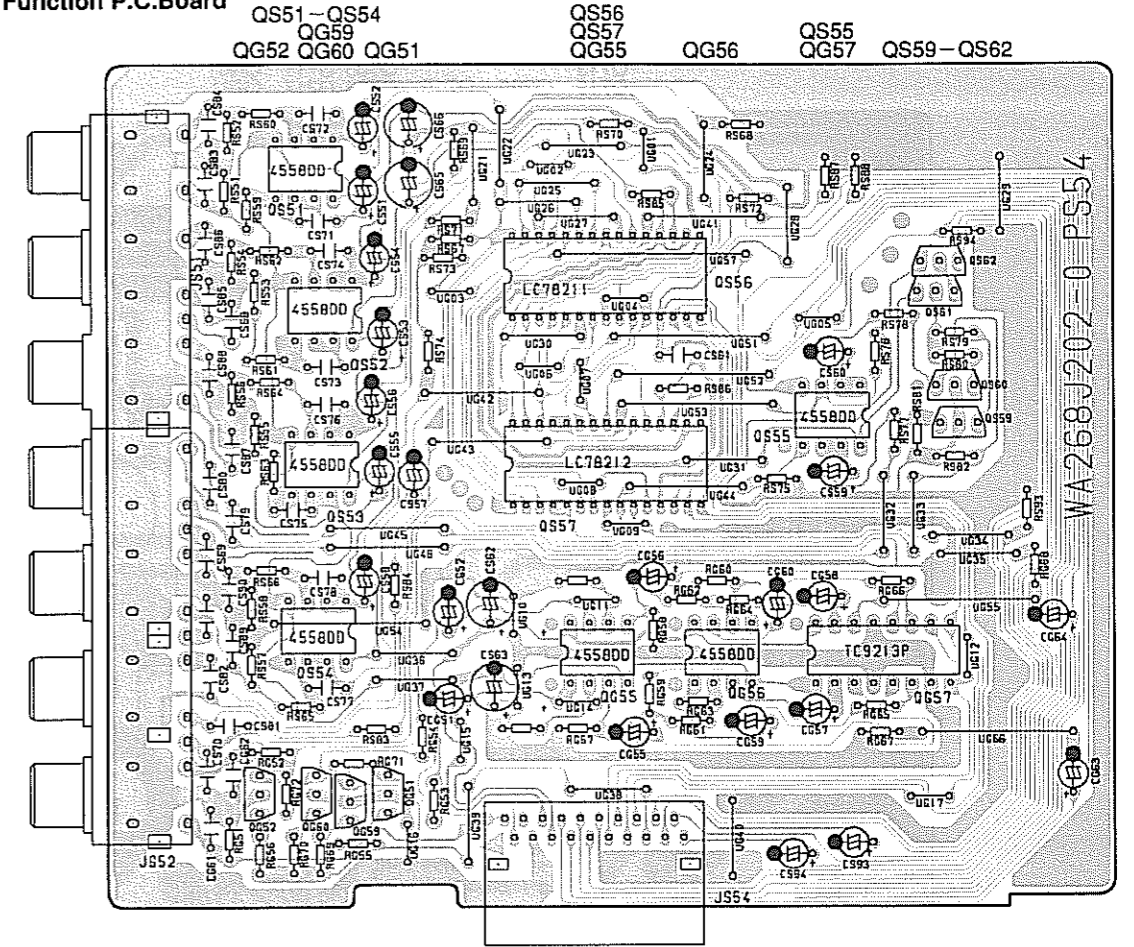
PY04-Connect P.C.Board



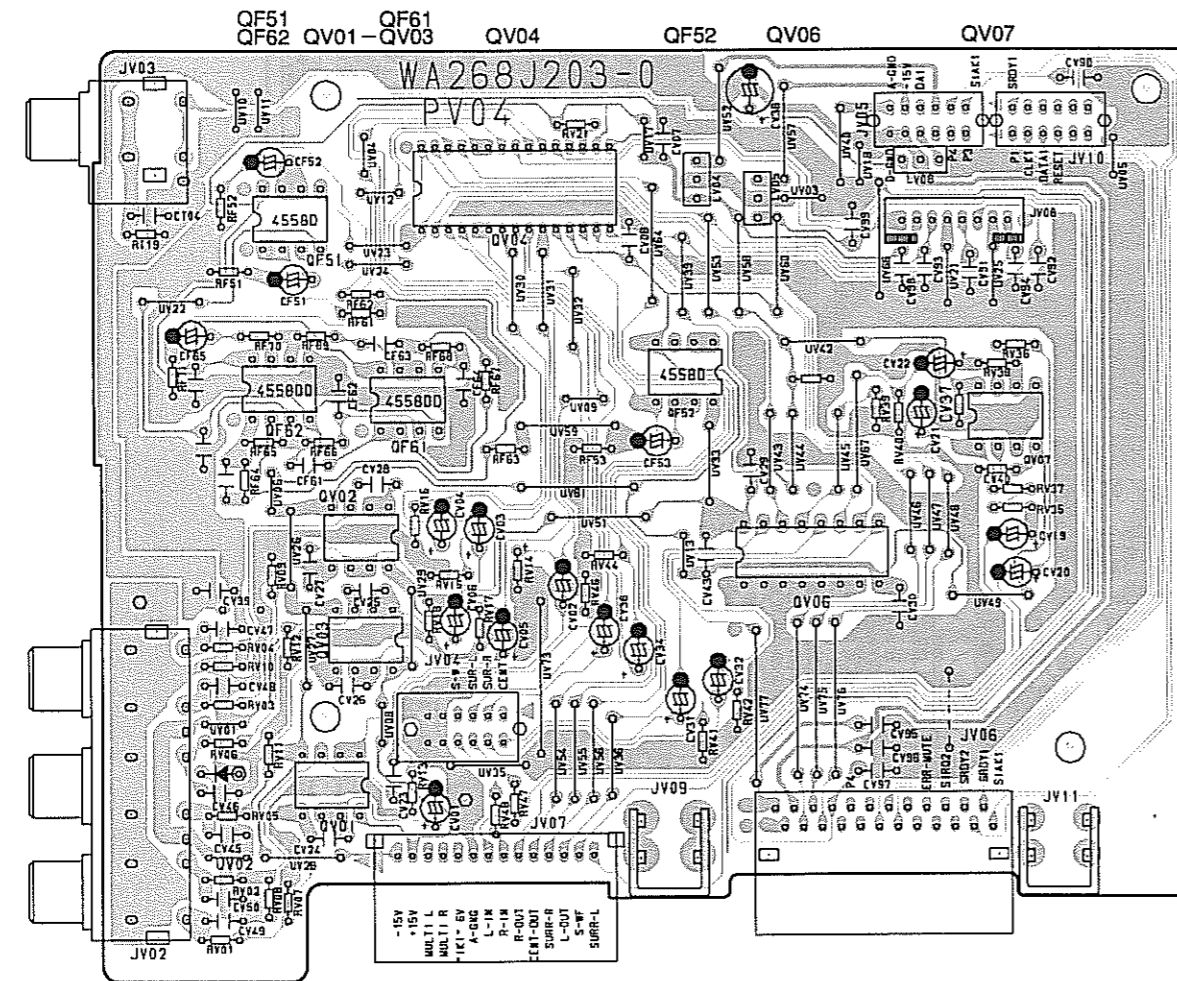
PS04-Audio Function P.C.Board



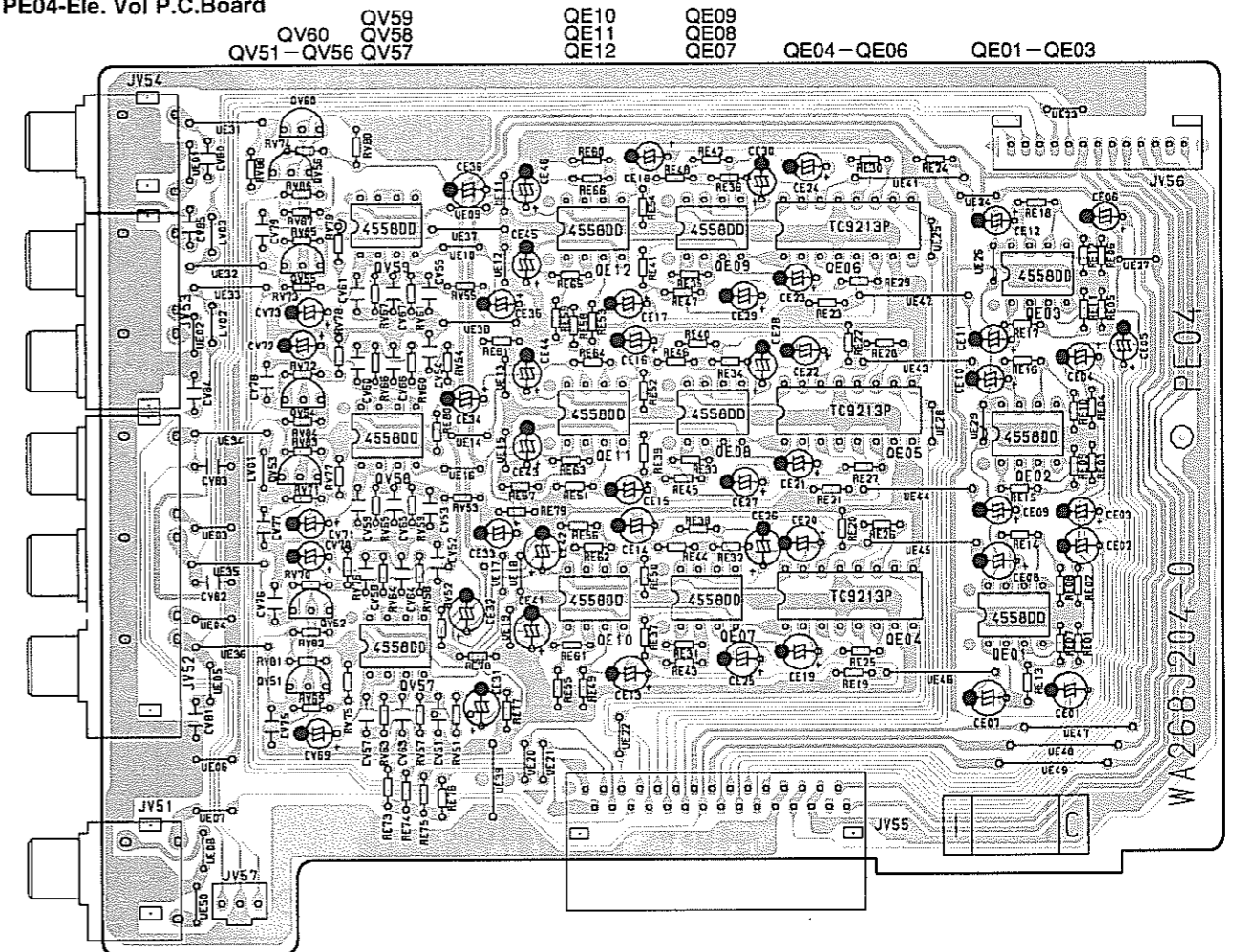
PS54-V-Audio Function P.C.Board



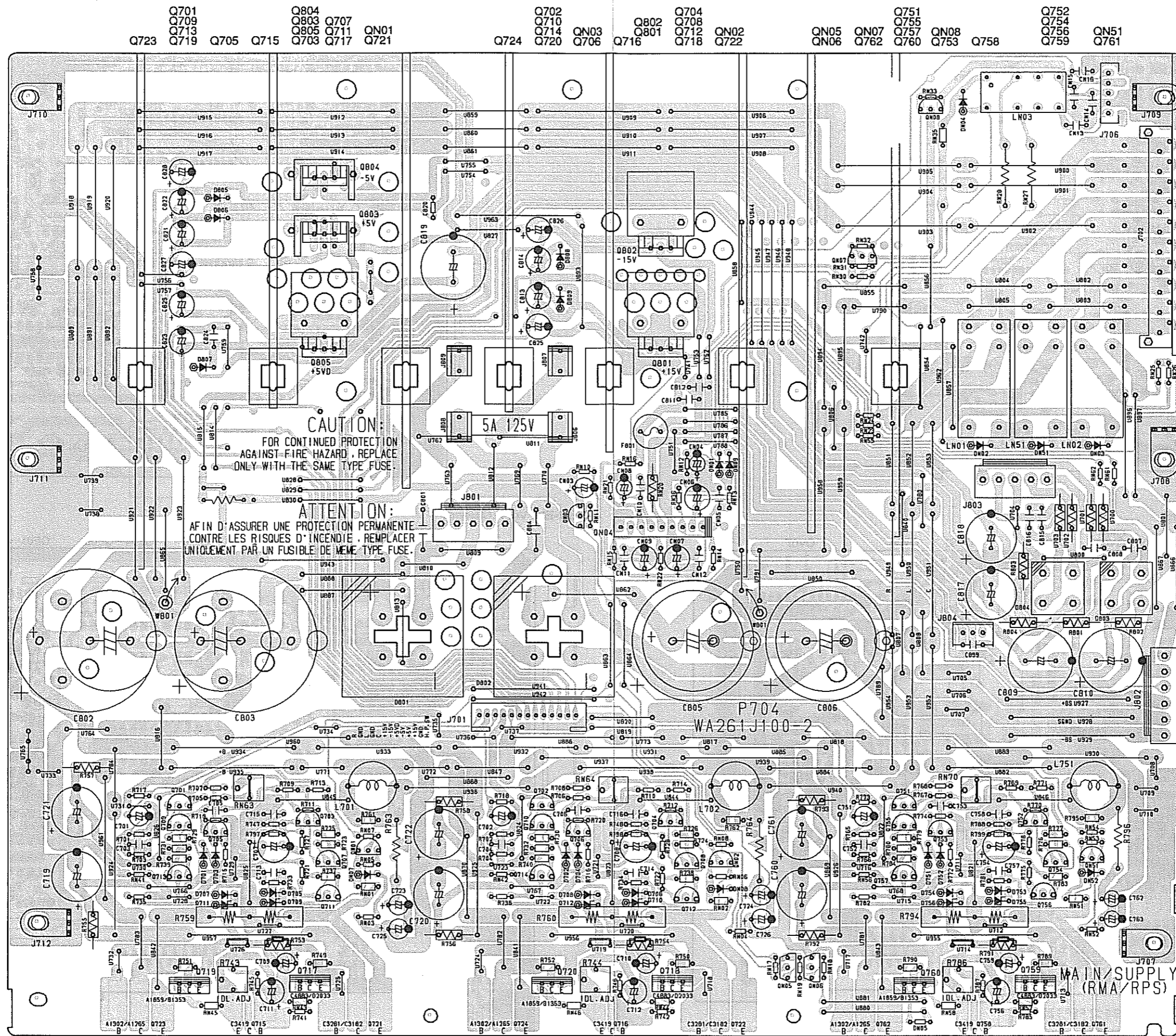
PV04-Direct In P.C.Board



PE04-Ele. Vol P.C.Board

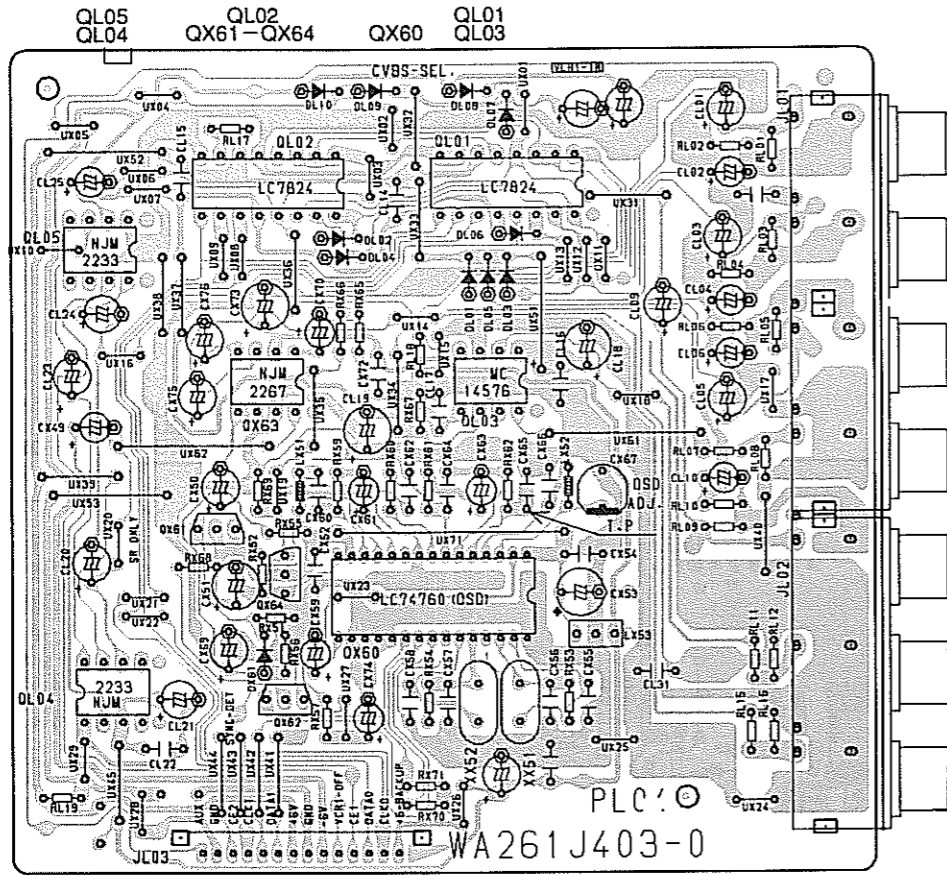


P704-Main Amp P.C.Board

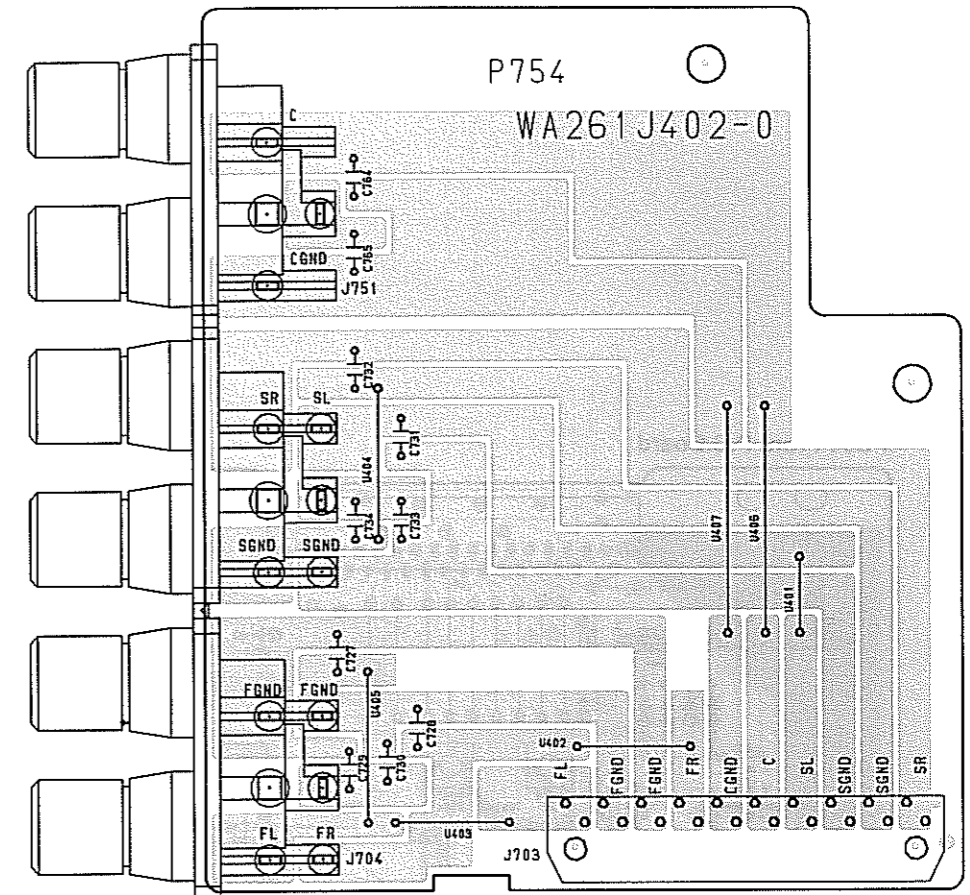


- | | | | | | |
|------|------|------|------|------|------|
| Q701 | Q804 | Q702 | Q704 | Q751 | Q752 |
| Q709 | Q803 | Q710 | Q708 | Q755 | Q754 |
| Q713 | Q707 | Q714 | Q712 | Q757 | Q756 |
| Q723 | Q719 | Q705 | Q718 | Q760 | Q759 |
| Q715 | Q717 | Q721 | Q722 | Q753 | Q761 |
| Q706 | Q716 | Q703 | Q718 | Q753 | |
| Q706 | Q716 | Q706 | Q718 | Q753 | |
| Q706 | Q716 | Q706 | Q718 | Q753 | |
| Q706 | Q716 | Q706 | Q718 | Q753 | |
| Q706 | Q716 | Q706 | Q718 | Q753 | |

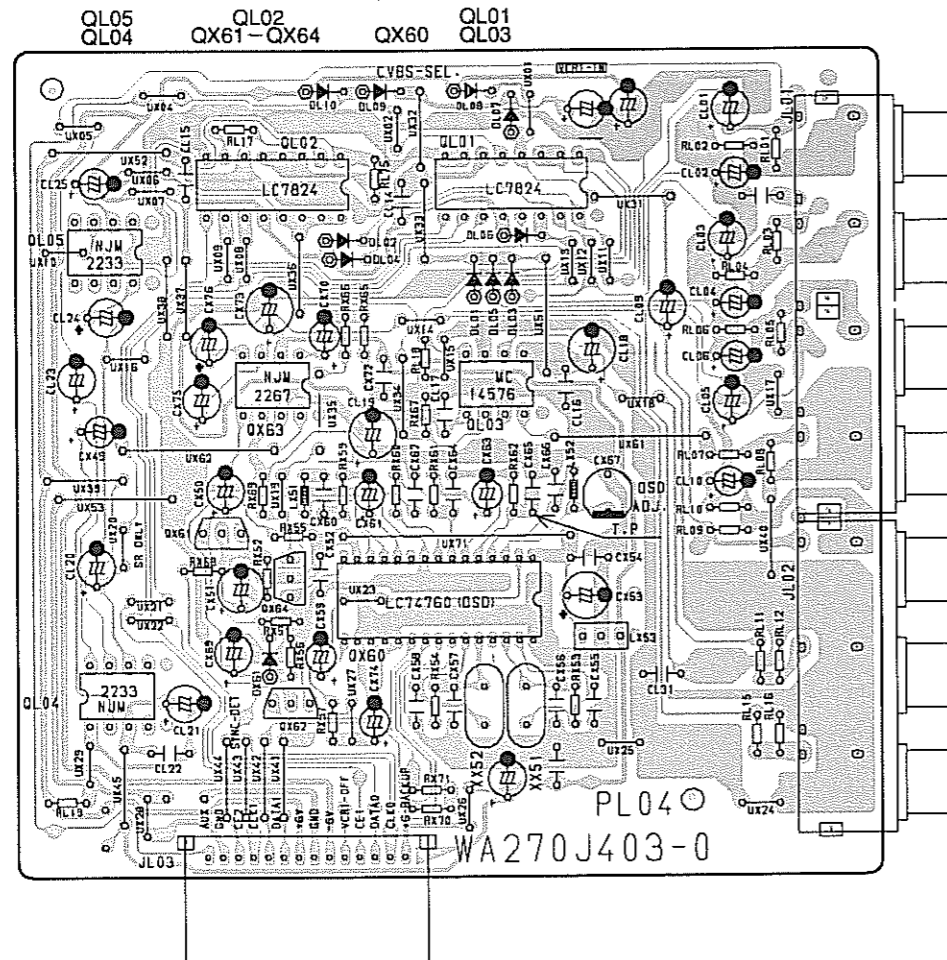
PL04-Video Selector P.C.Board (SR870 only)



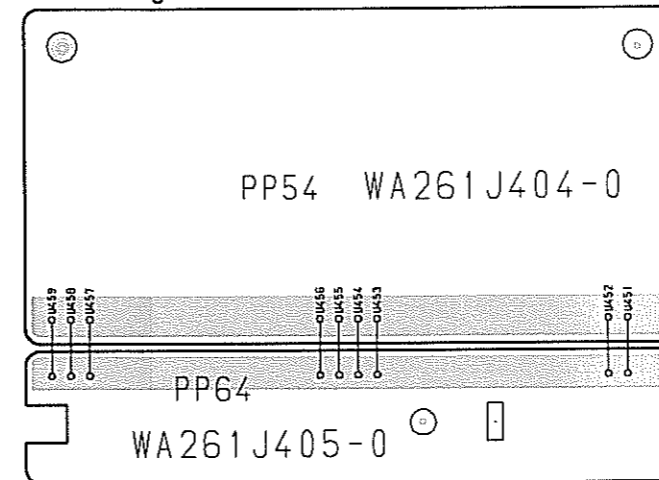
P754-SPK Terminal P.C.Board



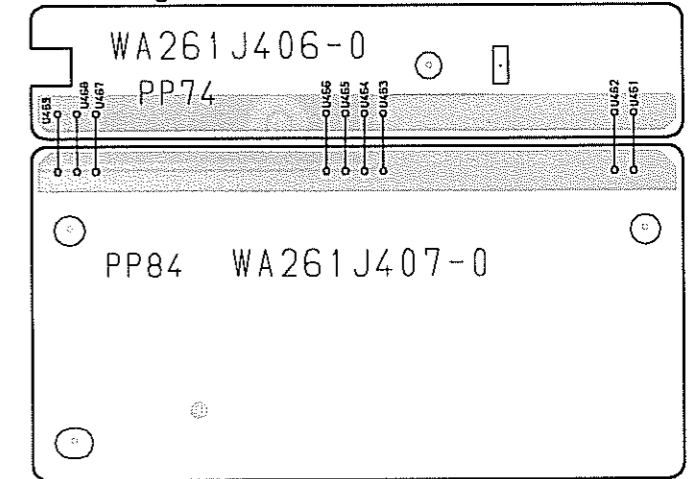
PL04-Video Selector P.C.Board (SR770 only)



PP54-Wiring P.C.Board



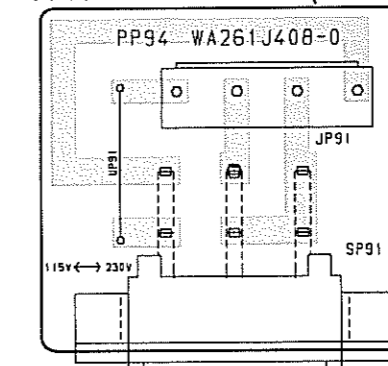
PP74-Wiring P.C.Board



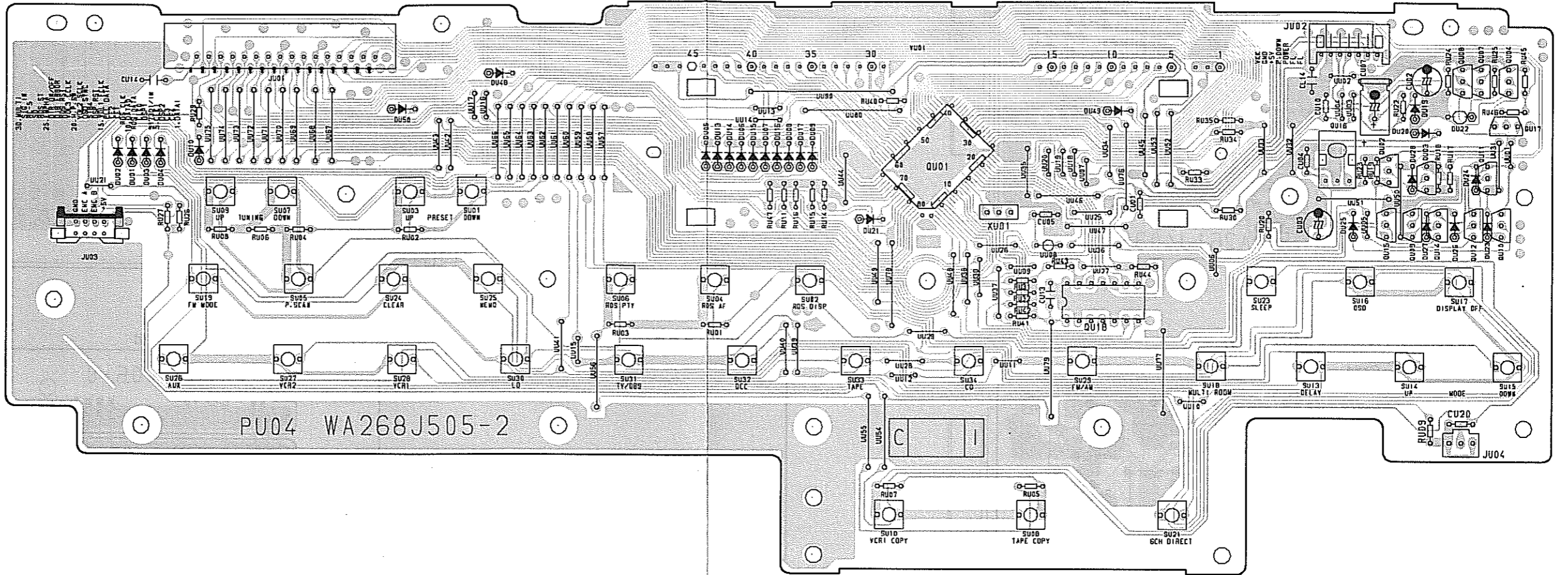
PP64-Wiring P.C.Board

PP84-Wiring P.C.Board

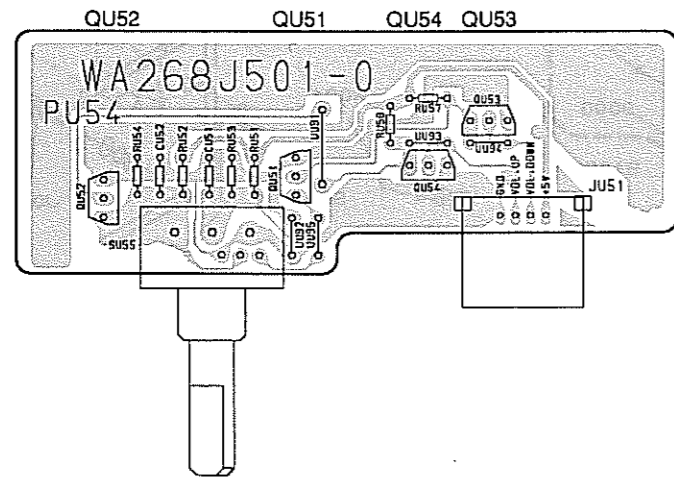
PP94-Vol-SEL P.C.Board (K version only)



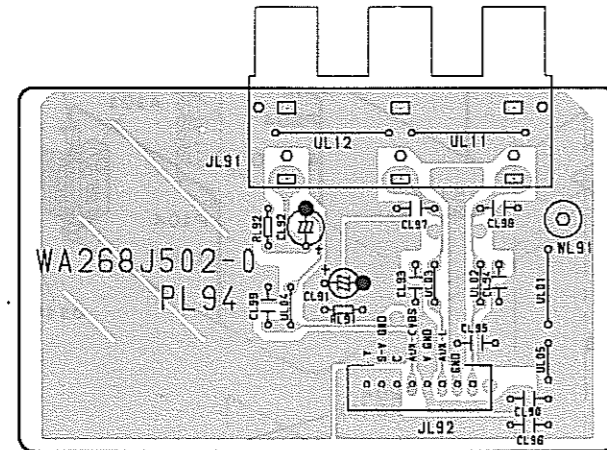
PU04-Front P.C.Board



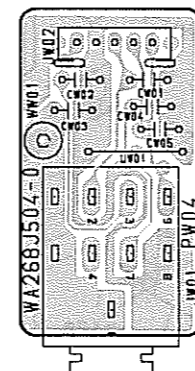
PU54-Master Vol P.C.Board



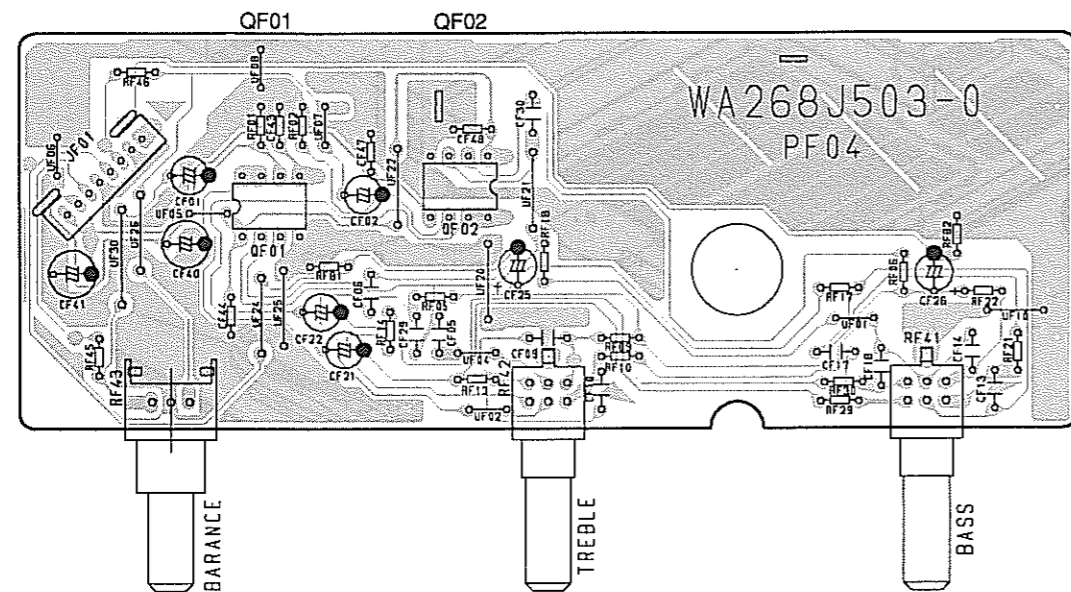
PL94-Aux In P.C.Board



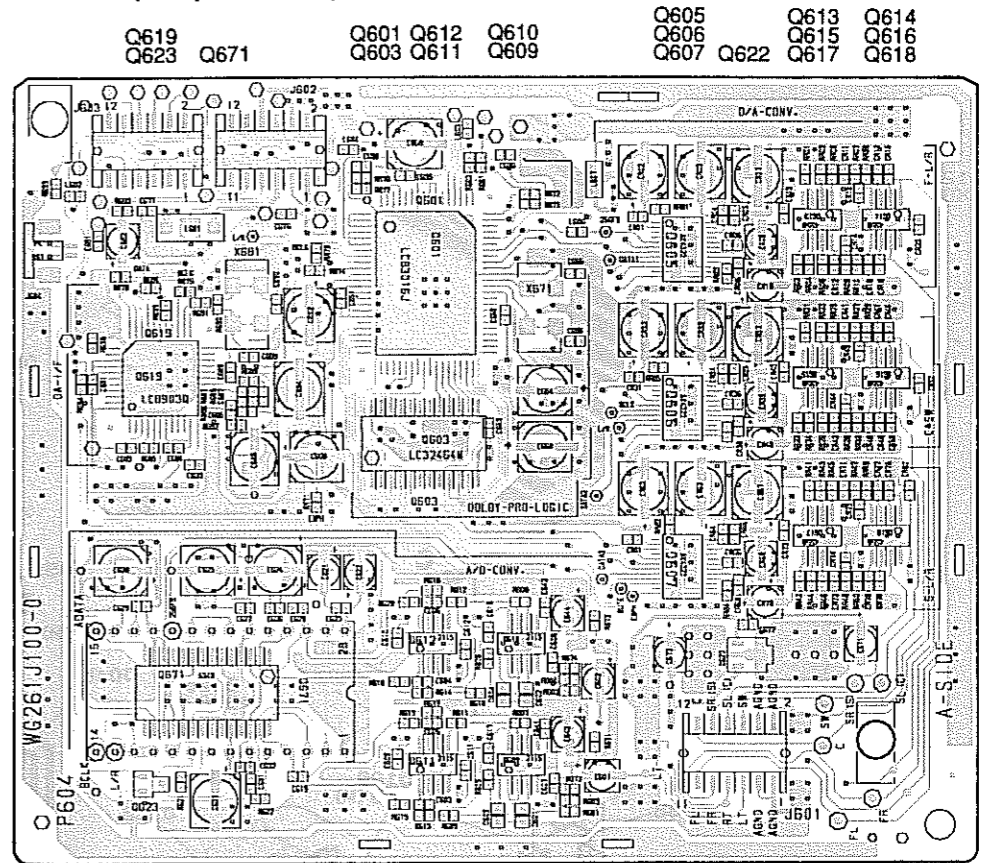
PW04-H.P. P.C.Board



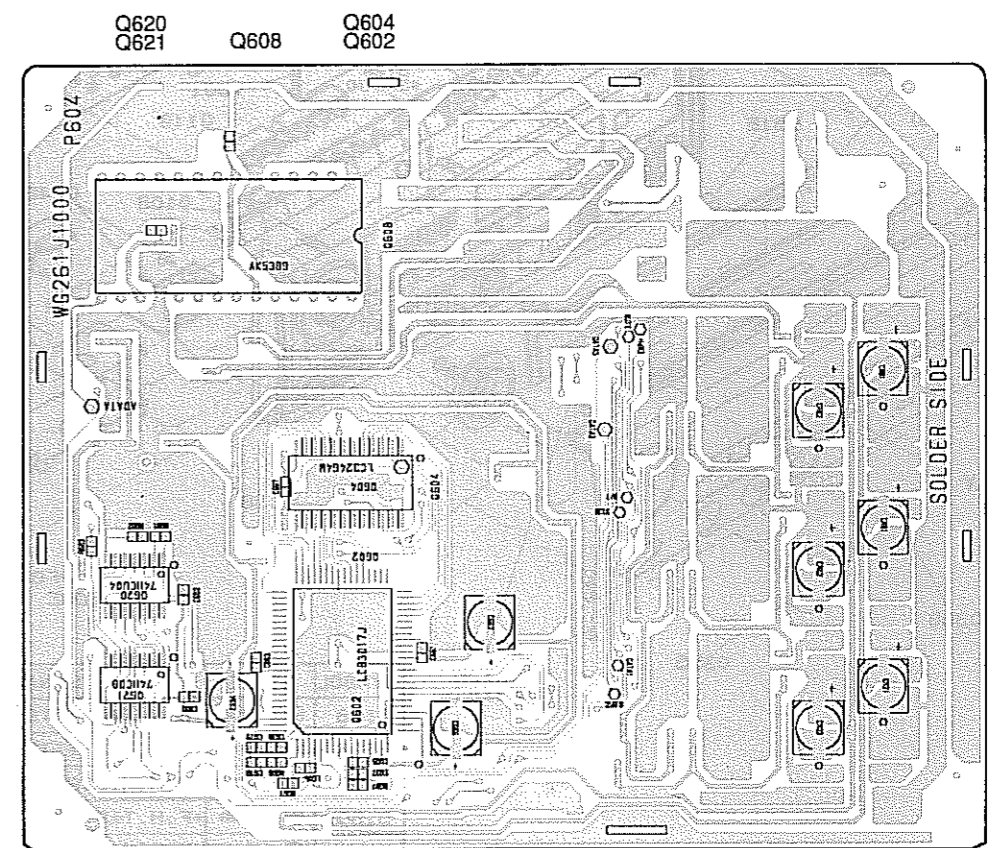
PF04-Tone P.C.Board



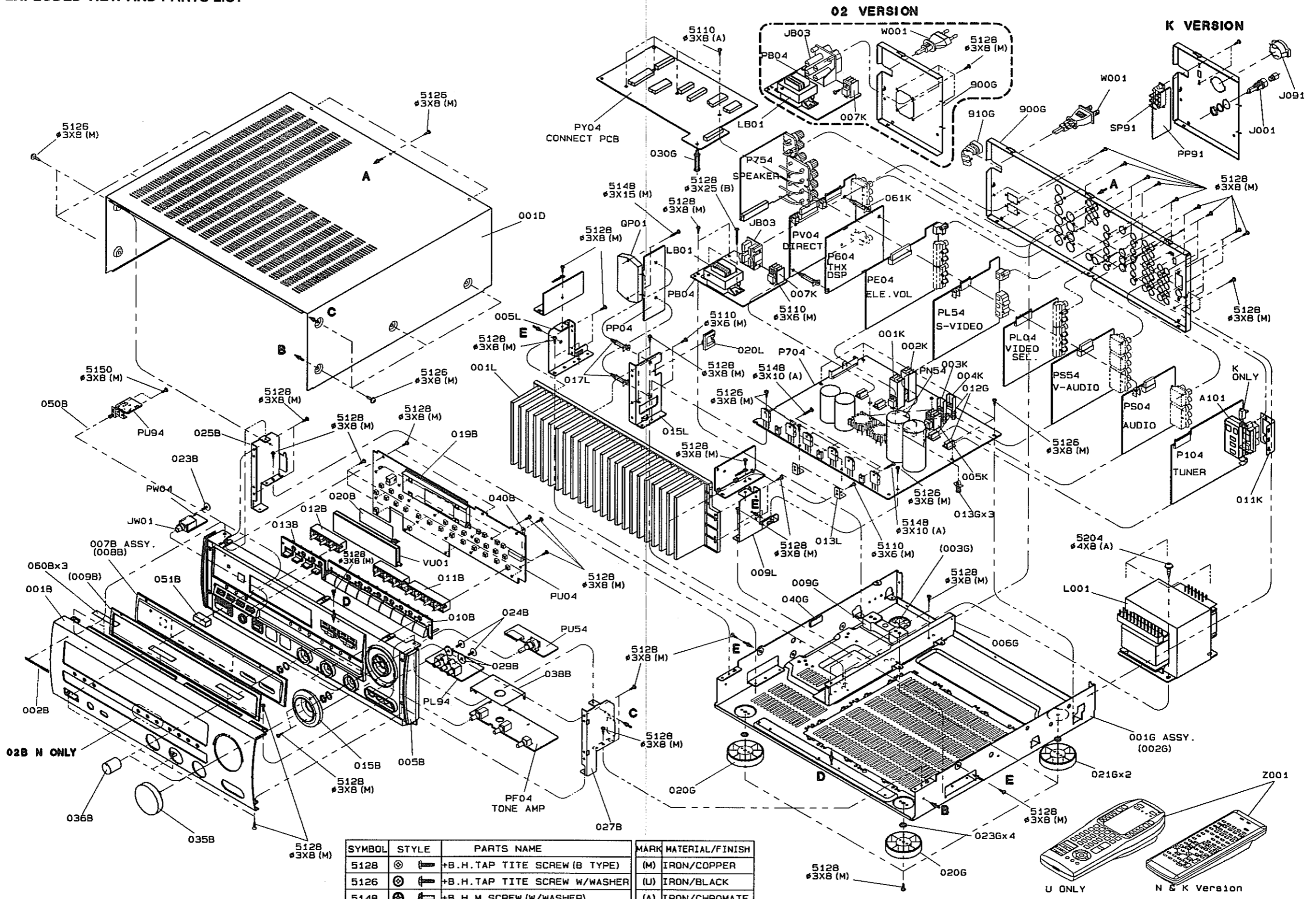
P604-THX Pro-Logic DSP P.C.Board
(Component Side)



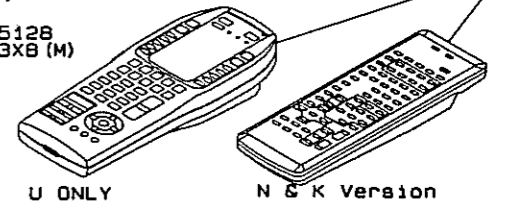
P604-THX Pro-Logic DSP P.C.Board
(Soldering Side)



5. EXPLODED VIEW AND PARTS LIST



SYMBOL	STYLE	PARTS NAME	MARK	MATERIAL/FINISH
5128	(M)	+B.H.TAP TITE SCREW (B TYPE)	(M)	IRON/COPPER
5126	(U)	+B.H.TAP TITE SCREW W/WASHER	(U)	IRON/BLACK
5148	(A)	+B.H.M.SCREW (W/WASHER)	(A)	IRON/CHROMATE
5150	(M)	+F.H.TAP TITE SCREW (B TYPE)		
5110	(M)	+B.H.M.SCREW		
5204	(M)	+H.H.TAPT.BOLTS WITH FLANGE (S TITE)		



(VERS.:VERSION, U:U.S.A., F:JAPAN, K:FAR EAST, -:EUROPE)

POS. NO	VERS. COLOR	PART NO. (FOR PCS)	DESCRIPTION	PART NO. (MJI)
001B	KBL		FRONT PANEL, ALMI [SR870]	268J248010
001B	KBL		FRONT PANEL, ALMI [SR770]	2702248010
001B	KGL		FRONT PANEL, ALMI [SR870]	268J248110
001B	/02B	4822 459 04259	FRONT PANEL, ALMI [SR870]	268J248020
001B	/02B	4822 459 04442	FRONT PANEL, ALMI [SR770]	270J248020
001B	UBL		FRONT PANEL, ALMI [SR870]	268J248010
001B	UBL		FRONT PANEL, ALMI [SR770]	270J248010
002B	BLACK	4822 459 11172	BADGE, MARANTZ (BLACK)	185J251010
002B	GOLD	4822 459 11173	BADGE, MARANTZ (GOLD)	185J251110
005B	BLACK	4822 464 10183	CHASSIS, FRONT MOLD (BL)	268J105010
005B	GOLD		CHASSIS, FRONT MOLD (GL)	268J105110
007B	BLACK	4822 450 10172	WINDOW, ASSY (BLACK)	261J158550
007B	GOLD		WINDOW, ASSY (GOLD)	261J158560
008B			WINDOW,	261J158080
009B	BLACK		ESCUTCHEON, WINDOW(BL)	261J063020
009B	GOLD		ESCUTCHEON, WINDOW(GL)	261J063120
010B	BLACK	4822 410 10638	BUTTON, FUNCTION HINGE(BLACK)	261J270210
010B	GOLD		BUTTON, FUNCTION HINGE(BLACK)	261J270310
011B	BLACK	4822 410 10639	BUTTON, MEMO HINGE(BLACK)	261J270020
011B	GOLD		BUTTON, MEMO HINGE(GOLD)	261J270120
012B	BLACK	4822 410 10641	BUTTON, OSD HINGE(BLACK)	261J270030
012B	GOLD		BUTTON, OSD HINGE(GOLD)	261J270130
013B	BLACK	4822 410 10642	BUTTON, MODE HINGE(BLACK)	261J270040
013B	GOLD		BUTTON, MODE HINGE(GOLD)	261J270140
015B	BLACK	4822 454 13137	ESCUTCHEON, VOL.(BLACK)	261J063010
015B	GOLD		ESCUTCHEON, VOL.(GOLD)	261J063110
019B		4822 256 92097	HOLDER, FL	183J271020
020B		4822 459 11158	STICKER, ADHESIVE FOR FL	056J122010
023B			SCREW, PHONE PCB +MOLD CHASSIS	183J010010
024B			SCREW, RCA PCB +MOLD CHASSIS	183J010010
025B			BRACKET, FRONT L SIDE	261J160010
027B			BRACKET, FRONT R SIDE	261J160020
029B			WASHER, D=16 T=0.5	261J012010
035B	BLACK	4822 410 10643	KNOB, MAIN VOL(BLACK)	261J154010
035B	GOLD		KNOB, MANI VOL(GOLD)	261J154110
036B	BLACK	4822 413 41589	KNOB, TONE VOL(BLACK)	090J154010
036B	GOLD	4822 413 41821	KNOB, TONE VOL(GOLD)	090J154110
050B		4822 404 21012	JOINT, POWERJOINT	025J125010
051B	BLACK	4822 410 62744	BUTTON, POWER SW	285K270010
051B	GOLD	4822 462 72053	BUTTON, POWER SW(GOLD)	285K270110
001D	BLACK		LID, TOP COVER BLACK	264J257110
001D	GOLD		LID, TOP COVER (GOLD)	264J257120
020G		4822 462 42045	LEG, LEG,GOLD HOT STAMP	183J057010
021G		4822 462 42048	LEG, LEG,GOLD HOT STAMP	183J057110
910G		4822 532 60948	BUSHING, AC CODE 2271	450H259010
▲ F001	K [SR870]		FUSE, 4A 250V BS LISTED [SR870]	FS10400850
▲ F001	K [SR770]		FUSE, 2.5A 250V BS LISTED [SR770]	FS10250850
▲ J001	K		JACK, FUSE HOLDER	YJ08000290
J091	K		VOLT.SELECT.,	BY05060090

(VERS.:VERSION, U:U.S.A., F:JAPAN, K:FAR EAST, -:EUROPE)

POS. NO	VERS. COLOR	PART NO. (FOR PCS)	DESCRIPTION	PART NO. (MJI)
▲ L001	K [SR870]		POWER TRANSF., 4 VOLTAGE [SR870]	TS60513070
▲ L001	K [SR770]		POWER TRANSF., 4 VOLTAGE [SR770]	TS19637030
▲ L001	/02B [SR870]	4822 146 10583	POWER TRANSF., 230V [SR870]	TS60513060
▲ L001	/02B [SR770]	4822 146 10715	POWER TRANSF., 230V [SR770]	TS19637020
▲ L001	UBL [SR870]		POWER TRANSF., 120V [SR870]	TS60513050
▲ L001	UBL [SR770]		POWER TRANSF., 120V [SR770]	TS19637010
L002	/02B	4822 529 10357	FERRITE CORE, ESD-R-38B	FC50380010
RU55		4822 117 10158	RES.1Ω ±5% 1/6W	GG05010140
WU01			JUMPER LEAD, SMCD-31X520-ADX8(BL)-P1.25-S4M	YU31520500
▲ W001	K/02B		A.C POWER CORD,	YC01800790
▲ W001	UBL		A.C POWER CORD, UL/CSA	YC01800780
001T	K [SR870]		PACKING USER MANUAL, K ENG.ONLY [SR870]	268J851350
001T	K [SR770]		USER MANUAL, K ENG.ONLY [SR770]	270J851350
001T	/02B [SR870]	4822 736 14589	USER MANUAL, N,E 8 LUG. [SR870]	268J851310
001T	/02B [SR770]	4822 736 14921	USER MANUAL, N,E 8 LUG. [SR770]	270J851310
001T	UBL [SR870]		USER MANUAL, U E/F 2LOUG [SR870]	268J851250
001T	UBL [SR770]		USER MANUAL, U E/F 2LOUG [SR770]	270J851250
Z001	K/02B	4822 219 10094	UNIT KIT, REMOTE COMMANDER RC870SR	ZK268J0010
Z001	UBL [SR870]		UNIT KIT,[SR870] REMOTE COMMANDER RC2000	ZK206W0010
Z001	UBL [SR770]		UNIT KIT, [SR770] REMOTE COMMANDER RC2000	ZK206W0010
Z003	K/02B		EXT.ANT., FM ANT.931222R (MAYOR)	ZA02800020
Z003	UBL	4822 303 30314	EXT.ANT., FM	ZA02000070
Z004		4822 157 63083	ANT COIL, LA-700HB AM LOOP	LA00055010
Z005	UBL	4822 264 30265	PLUG, ANT ADAPTOR	YP90000310
Z006	K	4822 267 31647	JACK, AC ADAPTER	YJ04001960
▲ Z007	SR870	4822 253 30243	FUSE, 6.3A 250V BS (F001)	FS10630850
▲ Z007	K			
▲ Z007	SR770	4822 253 30243	FUSE,5A 250V BS (F001)	FS10500850
	K			

6. SERVICE PROGRAM

1. Tracking point memory

This service program can be use for measurement of the tuner circuit.
When the POWER ON, press the "PRESET UP" button while pressing the "MEMO" button.
FLD shows "TRACKING". Frequencies to be memorized are as follows.

	VERSION	P1	P2	P3	P4
FM	02B,U,K	90.0	98.0	106.0	87.5
	JAPAN	78.0	83.0	88.0	76.0

	SCAN STEP	P5	P6	P7	P8	P9	P10	P11	P12~ P30
AM	10 KHz	600.0	1000.0	1400.0	520.0	←	←	←	←
	9 KHz	603.0	999.0	1404.0	531.0	←	←	←	←
	MW/LW	↑	↑	↑	171.0	207.0	270.0	152.0	531.0

2. FLD segment luminous

This service program can be luminous all segments by following step.
When the POWER ON, press the "FM/AM(TUNER)" button while pressing the "MEMO" button.
When finish the following procedure this service program should be stop.

Luminous procedure

1. All segments luminous 5 seconds.
2. At the grid "1G", segments luminous following procedure.

① KHz → ② MHz → ③ R → ④ PEAK → ⑤ L → ⑥ MULTI → ⑦ MONO → ⑧ MATRIX →
⑨ HALL → ⑩ P-SCAN → ⑪ TAPE → ⑫ COPY → ⑬ VCRI → ⑭ SLEEP → ⑮ DISP → ⑯ TX

3. At the grid "2G" to "11G", each one segment luminous step by step.
4. At the grid "12G", segments luminous following procedure.

① VISUAL → ② SIGNAL LEVEL → ③ CH → ④ SIGNAL BAR (LEFT SIDE) →
⑤ SIGNAL BAR (2nd LEFT) → ⑥ SIGNAL BAR (CENTER) → ⑦ SIGNAL BAR (2nd RIGHT) →
⑧ SIGNAL BAR (RIGHT SIDE) → ⑨ STEREO → ⑩ THX CINEMA → ⑪ PRO.LOGIC →
⑫ MOVIE → ⑬ AUTO MEMO → ⑭ 3.LOGIC → ⑮ SIMUL'D → ⑯ SURROUND

3. All clear

This service program can be clear all memorized operations and functions.
When the POWER ON, press the "CLEAR" button while pressing the "MEMO" button. FLD shows "CLEAR MEMO" and power will be OFF.

4. Volume reset

This service program can be reset "MASTER VOLUME LEVEL" and "CHANNEL OUTPUT LEVEL" to initial level. (MASTER VOLUME : -61dB, CHANNEL LEVEL : 0dB)
When the POWER ON, transmit the reset code "163731" continually more than 3 seconds by remote control unit(RC500AV or other multi remote controller). FLD shows "VOL RST".

7. ELECTRICAL ADJUSTMENT

1. Main amp idling current adjustment

- 1) With the power OFF, set semi – fixed resistor R743 (Lch), R744 (Rch), R786 (Center ch) on the PC board (PV04) to the center position.
- 2) Connect a digital voltmeter, set for the DC range, between the emitter resistor [R759 (Lch), R760 (Rch), R794 (Center ch)] on the PC board (PV04).
- 3) After the above, adjust the idling current as follows:
Turn the power ON and adjust semi – fixed resistor R743 (Lch), R744 (Rch), R786 (Center ch) while observing the digital multimeter indication.
* The target value is 7.2 mV (20 mA).

[Reference]

When a set whose idling current has been adjusted is switched on with after 1 minute it reaches about 2.7 – 3.5 mV. After 10 minutes, it reaches a balanced state and stabilizes at 7.2 mV (target). Therefore, if the adjustment is made 30 second after the power is switched on, adjust to 1.3 – 1.8 mV. In the same way, if 1 minute have passed since the power was switched on, adjust to 2.7 – 3.5 mV. From 1 to 2 minutes, adjust to 3.9 – 4.2 mV. From 2 to 4 minutes, adjust to 4.8 – 6.4 mV. From 4 to 7 minutes, adjust to 5.7 – 7.3 mV. After more than 7 minutes since the power was switched on, adjust to the setting of 5.8 – 7.4 mV.

Here is a reference table for the adjustment values.

Time since power switched on	Idling current adjustment
30 second	1.3 – 1.8 mV
1 minute	2.7 – 3.5 mV
1 – 2 minutes	3.9 – 4.2 mV
2 – 4 minutes	4.8 – 6.4 mV
4 – 7 minutes	5.7 – 7.3 mV
More than 7 minutes	5.8 – 7.4 mV

2. Main amp DC offset adjustment

- 1) With the power OFF, connect a digital voltmeter, set for the DC range, to the speaker terminal.
- 2) After the above, adjust the idling current as follows:
Turn the power ON and adjust RN63 (Lch), RN64 (Rch), RN70 (Center ch) so that the output is ± 40 mV.

ALIGNMENT PROCEDURES

1. AM IF Adjustment

Step	Input Signal Source Connection	Signal Frequency	Source Signal Output Level and Modulation	Reception Frequency	Adjustment Point	Adjustment Value
1	Signal generator output to transmission *loop antenna. (*:Standard required loop)	999 KHz (/02B,K) 1000 KHz (USA)	Level 300 μ V/m (50dB/m) Mod. 400 Hz 30%	Tuning point	LA06	Output level (L or R) Maximum at TAPE-OUT

REMARK: For receiving antenna, the adapted one is available.

This adjustment is not necessary normally, because the coil LA06 is preset by the original supplier.

It is necessary when the incorrect usable sense and frequency response.

2. AM Tracking Adjustment (MW)

Step	**Input Signal Source Connection	Signal Frequency	Source Signal Output Level and Modulation	Reception Frequency	Adjustment Point	Adjustment Value
1	Signal generator output to transmission *loop antenna. (*:Standard required loop)	603 KHz (/02B,K) 600 KHz (USA)	Level 300 - 400 μ V/m Mod. 400 Hz 30%	603 KHz (/02B,K) 600 KHz (USA)	LA01	Output level (L or R) Maximum at TAPE-OUT
2		1404 KHz (/02B,K) 1400 KHz (USA)	Level 300 - 400 μ V/m Mod. 400 Hz 30%	1404 KHz (/02B,K) 1400 KHz (USA)	CA01	Output level (L or R) Maximum at TAPE-OUT
3	Repeat step 1 and 2 until sensitivity be maximized.					

3. AM Tracking Adjustment (LW)

Step	**Input Signal Source Connection	Signal Frequency	Source Signal Output Level and Modulation	Reception Frequency	Adjustment Point	Adjustment Value
1	Signal generator output to transmission *loop antenna. (*:Standard required loop)	171 KHz	Level 300 - 400 μ V/m Mod. 400 Hz 30%	171 KHz	LA03	Output level (L or R) Maximum at TAPE-OUT
2		270 KHz	Level 300 - 400 μ V/m Mod. 400 Hz 30%	270 KHz	CA08	Output level (L or R) Maximum at TAPE-OUT
3	Repeat step 1 and 2 until sensitivity be maximized.					

4. AM auto stop Adjustment

Step	Input Signal Source Connection	Signal Frequency	Source Signal Output Level and Modulation	Reception Frequency	Adjustment Point	Adjustment Value
1	Signal generator output to transmission *loop antenna. (*:Standard required loop)	999 KHz (/02B,K) 1000 KHz (USA)	500 μ V/m (54 dB/m)	999 KHz (/02B,K) 1000 KHz (USA)	RA11	"TUNED" indicate on FLD
2			1000 μ V/m (60 dB/m)	AUTO SCAN	Only Confirm	"TUNED" indicate on FLD

REMARK: This adjustment is related to the FM muting Level Adjustment. The FM muting Level re-adjustment is necessary after this adjustment.

5. FM MONO. Distortion Adjustment

Step	Input Signal Source Connection	Signal Frequency	Source Signal Output Level and Modulation	Reception Frequency	Adjustment Point	Adjustment Value
1	Signal generator output to FM antenna terminal. (75 ohm)	98 MHz	500 μ V (54 dB) MONO 1 KHz / Dev.40KHz 53.3% (/02B,K) MONO 1KHz / Dev. 75KHz 100% (USA)	98 MHz (P2)	L201	Distortion level Minimum at TAPE-OUT

6. FM Muting Level Adjustment

Turn the variable resistor **R212** to no indication ("TUNED") point. And return that valuable resistor in opposite to the "TUNED" indicate point.

Step	Input Signal Source Connection	Signal Frequency	Source Signal Output Level and Modulation	Reception Frequency	Adjustment Point	Adjustment Value
1	Signal generator output to FM antenna terminal. (75 ohm)	98 MHz	10 μ V (20 dB) MONO 1 KHz / Dev.40KHz 53.3% (/02B,K) MONO 1KHz / Dev. 75KHz 100% (USA)	98 MHz (P2)	R212	"TUNED" indicate on FLD
2			Over mentioned level +3 dB	AUTO SCAN	Only Confirm	"TUNED" indicate on FLD

REMARK: This adjustment is related to the AM auto stop Adjustment. This adjustment is necessary after AM auto stop adjustment.

7. FM STEREO Distortion Adjustment

Adjust the **L channel** with the RF signal modulated only **L channel** first and confirm the **R channel** with the RF signal modulated only **R channel**.

Step	Input Signal Source Connection	Signal Frequency	Source Signal Output Level and Modulation	Reception Frequency	Adjustment Point	Adjustment Value
1	Signal generator output to FM antenna terminal. (75 ohm)	98 MHz	500 μ V (54 dB) L or R 1KHz / Dev. 40KHz 53.3% PILOT 19KHz / Dev. 6KHz 8% (/02B,K)	98 MHz (P2)	IF COIL in FRONT END	Distortion level Minimum at TAPE-OUT
2			L or R 1KHz / Dev. 67.5KHz 90% PILOT 19KHz / Dev. 6.75KHz 9% (USA)		R218	Distortion level Minimum at TAPE-OUT

REMARK: Adjustment with **R128** is not necessary when the distortion level is less than 0.5% with adjusting IF coil.

8. FM STEREO Separation Adjustment

Step	Input Signal Source Connection	Signal Frequency	Source Signal Output Level and Modulation	Reception Frequency	Adjustment Point	Adjustment Value
1	Signal generator output to FM antenna terminal. (75 ohm)	98 MHz	same specification as FM STEREO distortion adjustment. Input only L channel .	98 MHz (P2)	R211	Output level Minimum at TAPE-OUT channel R
2		98 MHz	same specification as FM STEREO distortion adjustment. Input only R channel .	98 MHz (P2)	R211	Output level Similar as Rch at TAPE-OUT channel L

9. On Screen Display VCO Adjustment

Step	Input Signal Source and Connection	Measuring position	Measuring equipment	Input selector	Adjustment Point	Adjustment Value
1	Color bar or other standard video signal. Video signal generator output to LD video input.	IC QX60 26pin and GND.	DC voltmeter (Impedance > 10k ohm/V)	LD	CX67	2.5V +-0.1V

REMARK: Connect the TV monitor to the monitor output terminal of the product.

8. ELECTRICAL PARTS LIST

ASSIGNMENT OF COMMON PARTS CODES.

RESISTOR

- R***: 1) GD05 x x x 140, Carbon film fixed resistor, $\pm 5\%$ 1/4W
 R***: 2) GD05 x x x 160, Carbon film fixed resistor, $\pm 5\%$ 1/6W

① — Resistance value

Examples:

① Resistance value

0.1 Ω ...001	10 Ω ...100	1k Ω ...102	100k Ω ...104
0.5 Ω ...005	18 Ω ...180	2.7k Ω ...272	680k Ω ...684
1 Ω ...010	100 Ω ...101	10k Ω ...103	1M Ω ...105
6.8 Ω ...068	390 Ω ...391	22k Ω ...223	4.7M Ω ...475

(Note) Please distinguish 1/4W from 1/6W by the shape of parts used actually.

C***: CERAMIC CAP.

- 1) DD1 x x x x 370, Ceramic capacitor
 Disc type
 Temp.coeff.P350~N1000,50V

① Capacity value
 ② Tolerance

Examples

① Tolerance (Capacity deviation)

$\pm 0.25\text{pF}$... 0
$\pm 0.5\text{pF}$... 1
$\pm 5\%$... 5

* Tolerance of COMMON PARTS handled here are as follows:

0.5pF~ 5pF... $\pm 0.25\text{pF}$
6pF~ 10pF... $\pm 0.5\text{pF}$
12pF~ 560pF... $\pm 5\%$

② Capacity value

0.5pF...005	3pF...030	100pF...101
1pF...010	10pF...100	220pF...221
1.5pF...015	47pF...470	560pF...561

C***: CERAMIC CAP.

- 1) DK16 x x x x 300, High dielectric constant ceramic capacitor
 Disc type
 Temp.chara. 2B4, 50V

① Capacity value

Examples

① Capacity value

100pF...101	1000pF...102	10000pF...103
470pF...471	2200pF...222	

C***: ELECTROLY CAP. (E), FILM CAP. (F)

- 1) EA x x x x x 10, Electrolytic capacitor
 One-way lead type, Tolerance $\pm 20\%$

① Working voltage
 ② Capacity value

Examples

① Capacity value

0.1 μF ...104	4.7 μF ...475	100 μF ...107
0.33 μF ...334	10 μF ...106	330 μF ...337
1 μF ...105	22 μF ...226	1100 μF ...118
		2200 μF ...228

② Working voltage

6.3V...006	25V...025
10V...010	35V...035
16V...016	50V...050

- 2) DF15 x x x 350 — Plastic film capacitor
 DF15 x x x 310 — One-way type, Mylar $\pm 5\%$ 50V
 DF16 x x x 310 — Plastic film capacitor
 One-way type, Mylar $\pm 10\%$ 50V

① Capacity value

Examples

① Capacity value

0.001 μF (1000pF)...102	0.1 μF ...104
0.0018 μF ...182	0.56 μF ...564
0.01 μF ...103	1 μF ...105
0.015 μF ...153	

NOTE: 1) The above CODES (R***, R***, C***, C*** and C***) are omitted on the schematic diagram in some case.

2) On the occasion, be confirmed the common parts on the parts list.

3) Refer to "Common Parts List" for the other common parts(R105, DD4, DK4).

NOTE ON SAFETY FOR FUSIBLE RESISTOR :

The suppliers and their type numbers of fusible resistors are as follows :

1. KOA Corporation

Part No.	Type No.	Description
NH05 x x x 140	RF25S x x x x Ω J	($\pm 5\%$ 1/4W)
NH05 x x x 120	RF50S x x x x Ω J	($\pm 5\%$ 1/2W)
NH85 x x x 110	RF73B2A x x x x Ω J	($\pm 5\%$ 1/10W)
NH95 x x x 140	RF73B2E x x x x Ω J	($\pm 5\%$ 1/4W)

* Resistance value (0.1-10k Ω)

2. Matsushita Electronic Components Co., Ltd

Part No.	Type No.	Description
NF05 x x x 140	ERD-2FCJ x x x	($\pm 5\%$ 1/4W)
RF05 x x x 140		
NF02 x x x 140	ERD-2FCG x x x	($\pm 2\%$ 1/4W)
RF02 x x x 140		

* Resistance value

Examples :

* Resistance value

0.1 Ω ...001	10 Ω ...100	1k Ω ...102	100k Ω ...104
0.5 Ω ...005	18 Ω ...180	2.7k Ω ...272	680k Ω ...684
1 Ω ...010	100 Ω ...101	10k Ω ...103	1M Ω ...105
6.8 Ω ...068	390 Ω ...391	22k Ω ...223	4.7M Ω ...475

ABBREVIATION AND MARKS

1 ANT. : ANTENNA	2 BATT. : BATTERY
3 CAP. : CAPACITOR	4 CER. : CERAMIC
5 CONN. : CONNECTING	6 DIG. : DIGITAL
7 HP : HEADPHONE	8 MIC. : MICROPHONE
9 μ -PRO : MICROPROCESSOR	10 REC. : RECORDING
11 RES. : RESISTOR	12 SPK : SPEAKER
13 SW : SWITCH	14 TRANSF. : TRANSFORMER
15 TRIM. : TRIMMING	16 TRS. : TRANSISTOR
17 VAR. : VARIABLE	18 X'TAL : CRYSTAL
19	20
21	22
23	24
25	26
27	28
29	30

NOTE ON SAFETY :

Symbol \blacktriangle Fire or electrical shock hazard. Only original parts should be used to replaced any part marked with symbol \blacktriangle . Any other component substitution (other than original type), may increase risk of fire or electrical shock hazard.

安全上の注意 :

\blacktriangle がついている部品は、安全上重要な部品です。必ず指定されている部品番号の部品を使用して下さい。

(VERS. :VERSION, U:U.S.A., F:JAPAN, K:FAR EAST, **EUROPE)

(VERS. :VERSION, U:U.S.A., F:JAPAN, K:FAR EAST, **EUROPE)

POS. NO	VERS. COLOR	PART NO. (FOR PCS)	DESCRIPTION	PART NO. (MJI)	POS. NO	VERS. COLOR	PART NO. (FOR PCS)	DESCRIPTION	PART NO. (MJI)
			PB04-BACK-UP CIRCUIT BOARD		CE09				
			PB04-CAPACITORS		I		4822 124 21899	ELECT., 4.7 μ F 25V	EJ47502510
CB07		4822 122 30043	CER., 0.01 μ F +80% -20% 50V	DK18103310	CE12				
CB08		4822 122 30043	CER., 0.01 μ F +80% -20% 50V	DK18103310	CE13		4822 124 22274	ELECT., 4.7 μ F \pm 20% 50V	OA47505020
▲ CB09		4822 122 33276	CER., SPERK KILLER 0.01UF	DK17103840	CE14		4822 124 22274	ELECT., 4.7 μ F \pm 20% 50V	OA47505020
			PB04-CAPACITORS (COMMON)		CE15		4822 124 21899	ELECT., 4.7 μ F 25V	EJ47502510
			ELECTROLYTIC CAP.		CE16		4822 124 21899	ELECT., 4.7 μ F 25V	EJ47502510
			TYPE,TOLERANCE \pm 20%:		CE17		4822 124 21899	ELECT., 4.7 μ F 25V	EJ47502510
			CB01-CB03,CB05,CB06,CB10		CE18		4822 124 21899	ELECT., 4.7 μ F 25V	EJ47502510
			PB04-RESISTORS		CE19		4822 124 22274	ELECT., 4.7 μ F \pm 20% 50V	OA47505020
▲ RB01		4822 052 10109	10 Ω \pm 5% 1/4W	GG05100140	CE20		4822 124 22274	ELECT., 4.7 μ F \pm 20% 50V	OA47505020
RB03		4822 053 10471	470 Ω \pm 5% 1W	GA05471010	CE21				
▲ RB07	UBL		2.2M Ω \pm 10% 1/2W	RC10225820	I		4822 124 21899	ELECT., 4.7 μ F 25V	EJ47502510
			PB04-RESISTORS (COMMON)		CE24				
			CARBON FILM FIXED RES.,		CE25		4822 124 22274	ELECT., 4.7 μ F \pm 20% 50V	OA47505020
			\pm 5% 1/6W:RB04,RB05,RB08		CE26		4822 124 22274	ELECT., 4.7 μ F \pm 20% 50V	OA47505020
			PB04-SEMICONDUCTORS		CE27		4822 124 21899	ELECT., 4.7 μ F 25V	EJ47502510
DB01			DIODE, 1D3 1A/200V	HD20002710	CE28		4822 124 21899	ELECT., 4.7 μ F 25V	EJ47502510
I		4822 130 82421			CE29		4822 124 21899	ELECT., 4.7 μ F 25V	EJ47502510
DB04			ZENER DIODE, MTZJ33D 33V	HD33301000	CE30		4822 124 21899	ELECT., 4.7 μ F 25V	EJ47502510
DB05		4822 130 81729	ZENER DIODE, NTJ8.2C 8.2V	HD30821000	CE31		4822 124 22274	ELECT., 4.7 μ F \pm 20% 50V	OA47505020
DB06		4822 130 80273	ZENER DIODE, NTJ8.2C 8.2V	HD30821000	CE32		4822 124 22274	ELECT., 4.7 μ F \pm 20% 50V	OA47505020
DB07		4822 130 82421	DIODE, 1D3 1A/200V	HD20002710	CE33		4822 124 21899	ELECT., 4.7 μ F 25V	EJ47502510
DB08		4822 130 82421	DIODE, 1D3 1A/200V	HD20002710	CE34		4822 124 21899	ELECT., 4.7 μ F 25V	EJ47502510
▲ QB01		4822 209 31927	IC, PQ05RR1 5V 1A W/RESET	HC38905320	CE35		4822 124 21899	ELECT., 4.7 μ F 25V	EJ47502510
▲ QB02		4822 130 62335	TRS., 2SD2033(E) 120V 1.8W	HT420331E0	CE36		4822 124 23055	ELECT., 22 μ F \pm 20% 16V	EJ22601610
			PB04-MISCELLANEOUS		CE41		4822 124 90352	ELECT., 10 μ F \pm 20% 16V	OA10601620
▲ FB01	SR870	4822 253 30387	FUSE, 4 A 250V BS LISTED	FS10400850	CE42		4822 124 90352	ELECT., 10 μ F \pm 20% 16V	OA10601620
	/02B				CE43				
▲ FB01	SR770	4822 070 32502	FUSE, T2.5 A 250V SEMKO/BS	FS10250850	I		4822 124 21894	ELECT., 10 μ F/16V	EJ10601610
	/02B				CE46				
▲ FB01	SR870		FUSE, 8A 125V SM U/C/D	FS10800540	CV69				
	U				I		4822 124 21894	ELECT., 10 μ F/16V	EJ10601610
▲ FB01	SR770		FUSE, 5A 125V SM5 UL/CSA	FS10500540	CV73				
	U								
▲ FB02	/02B	4822 252 11189	FUSE, T2.5A 250V NO.19372	FS20250200					
▲ FB03	/02B	4822 252 11189	FUSE, T2.5A/250V NO.19372	FS20250200					
▲ JB03	/02B	4822 267 31952	JACK, AC OUTLET 2P (N)	YJ04002080					
▲ JB03	UBL		JACK, 2P AC OUTLET	YJ04002040					
▲ LB01	K		POWER TRANSF., 115/230V	TS14823250					
▲ LB01	/02B	4822 146 10582	POWER TRANSF., BACK UP	TS14823240					
▲ LB01	UBL		POWER TRANSF., BACK UP	TS14823230					
▲ LB02		4822 280 80773	RELAY, VS24MB-NR TV-8	LY10240240					
			PE04-ELE. VOL CIRCUIT BOARD						
			PE04-CAPACITORS						
CE01		4822 124 90352	ELECT., 10 μ F \pm 20% 16V	OA10601620					
CE02		4822 124 90352	ELECT., 10 μ F \pm 20% 16V	OA10601620					
CE03									
I		4822 124 21894	ELECT., 10 μ F/16V	EJ10601610					
CE06									
CE07		4822 124 22274	ELECT., 4.7 μ F \pm 20% 50V	OA47505020					
CE08		4822 124 22274	ELECT., 4.7 μ F \pm 20% 50V	OA47505020					
			PE04-CAPACITORS (COMMON)						
			PLASTIC FILM CAP.,						
			\pm 5% 50V:CV51-CV61						
			PE04-RESISTORS (COMMON)						
			CARBON FILM FIXED RES.,						
			\pm 5% 1/6W:RE01-RE66,RE73-						
			RE80,RV51-RV55,RV57-RV67,						
			RV69-RV88						
			PE04-SEMICONDUCTORS						
			IC, NJM4558DD	HC10008090	QE01		4822 209 83631	IC, NJM4558DD	HC10008090
			IC, NJM4558DD	HC10008090	QE02		4822 209 83631	IC, NJM4558DD	HC10008090
			IC, NJM4558DD	HC10008090	QE03		4822 209 83631	IC, NJM4558DD	HC10008090
			IC, TC9213P	HC10304050	QE04		4822 209 31575	IC, TC9213P	HC10304050
			IC, TC9213P	HC10304050	QE05		4822 209 31575	IC, TC9213P	HC10304050
			IC, TC9213P	HC10304050	QE06		4822 209 31575	IC, TC9213P	HC10304050
			IC, NJM4558DD	HC10008090	QE07				
					I		4822 209 83631	IC, NJM4558DD	HC10008090
					QV51				
			TRS., 2SC2878 A/B	HT328782A0	I		4822 130 43818	TRS., 2SC2878 A/B	HT328782A0
					QV56				
			IC, NJM4558D-D	HC10008090	QV57		4822 209 83631	IC, NJM4558D-D	HC10008090

POS. NO	VERS. COLOR	PART NO. (FOR PCS)	DESCRIPTION	PART NO. (MJI)	POS. NO	VERS. COLOR	PART NO. (FOR PCS)	DESCRIPTION	PART NO. (MJI)
QV58		4822 209 83631	IC, NJM4558DD	HC10008090				PF04-SEMICONDUCTORS	
QV59		4822 209 83631	IC, NJM4558D-D	HC10008090	QF01		4822 209 83631	IC, NJM4558D-D	HC10008090
QV60		4822 130 43818	TRS., 2SC2878 A/B	HT328782A0	QF02		4822 209 83631	IC, NJM4558D-D	HC10008090
			PE04-MISCELLANEOUS					PL04-VIDEO SELECTER	
JV51		4822 265 10738	TERMINAL, 14X14 RA 1L1P GRN NI FLM-GND	YT02010770				CIRCUIT BOARD	
JV52		4822 265 10682	TERMINAL, YKC21-3244	YT02030420	CL01		4822 124 23055	ELECT., 22 μ F/10V	EJ22601010
JV53		4822 265 10683	TERMINAL, YKC21-3079	YT02021400	CL02		4822 124 21894	ELECT., 10 μ F/16V	EJ10601610
JV54		4822 265 10684	TERMINAL, YKC21-3182	YT02011020	CL03		4822 124 23055	ELECT., 22 μ F/10V	EJ22601010
					CL04		4822 124 21894	ELECT., 10 μ F/16V	EJ10601610
LV01	/02B	4822 157 70813	COIL, LAL02TA470J 47UH	LC14733800	CL05		4822 124 23055	ELECT., 22 μ F/10V	EJ22601010
LV02	/02B	4822 157 70813	COIL, LAL02TA470J 47UH	LC14733800	CL06		4822 124 21894	ELECT., 10 μ F/16V	EJ10601610
LV03	/02B	4822 157 70813	COIL, LAL02TA470J 47UH	LC14733800	CL09		4822 124 23055	ELECT., 22 μ F/10V	EJ22601010
UE35	/02B	4822 157 70813	COIL, LAL02TA470J 47UH	LC14733800	CL10		4822 124 21894	ELECT., 10 μ F/16V	EJ10601610
UE36	/02B	4822 157 70813	COIL, LAL02TA470J 47UH	LC14733800	CL14		4822 122 40617	CER., 50V 0.1 μ F +80 -20%	DD38104010
			PF04-TONE CIRCUIT BOARD		CL15		4822 122 40617	CER., 50V 0.1 μ F +80 -20%	DD38104010
			PF04-CAPACITORS		CL16		4822 122 30043	CER., 0.01 μ F +80% -20% 50V	DK18103310
CF01		4822 124 90352	ELECT., 10 μ F \pm 20% 16V	OA10601620	CL17		4822 122 30043	CER., 0.01 μ F +80% -20% 50V	DK18103310
CF02		4822 124 90352	ELECT., 10 μ F \pm 20% 16V	OA10601620	CL20		4822 124 23055	ELECT., 22 μ F/16V	EJ22601010
CF09		5322 122 32265	CER., 100PF \pm 5% CH 50V	DD15101300	CL22		4822 122 30043	CER., 0.01 μ F \pm 10% 50V	DK18103310
CF10		5322 122 32265	CER., 100PF \pm 5% CH 50V	DD15101300	CL23		4822 124 23055	ELECT., 22 μ F \pm 20% 10V	EJ22601010
CF21		4822 124 41539	ELECT., 47 μ F \pm 20% 16V	OA47601620	CL24		4822 124 23055	ELECT., 22 μ F \pm 20% 10V	EJ22601010
CF22		4822 124 41539	ELECT., 47 μ F \pm 20% 16V	OA47601620	CL25		4822 124 21894	ELECT., 10 μ F \pm 20% 16V	EJ10601610
CF25		4822 124 23055	ELECT., 22 μ F/16V	EJ22601610	CL31		4822 122 40617	CER., 50V 0.1 μ F +80 -20%	DD38104010
CF26		4822 124 23055	ELECT., 22 μ F/16V	EJ22601610	CX49		4822 124 21899	ELECT., 4.7 μ F \pm 20% 25V	EJ47502510
CF29	K,U	4822 122 31205	CER., 47PF \pm 5% CH 50V	DD15470300	CX52		4822 122 30043	CER., 0.01 μ F +80% -20% 50V	DK18103310
CF30	K,U	4822 122 31205	CER., 47PF \pm 5% CH 50V	DD15470300	CX54		4822 122 30043	CER., 0.01 μ F +80% -20% 50V	DK18103310
CF40		4822 124 90354	ELECT., 100 μ F \pm 20% 16V	OA10701620	CX55		5322 122 32143	CER., 22PF \pm 5% CH 50V	DD15220300
CF41		4822 124 90354	ELECT., 100 μ F/16V	OA10701620	CX56		5322 122 32143	CER., 22PF \pm 5% CH 50V	DD15220300
CF43					CX57	K/02B	5322 122 32143	CER., 22PF \pm 5% CH 50V	DD15220300
I		4822 122 40588	CER., 0.022 μ F TP050F223Z	DA17223110	CX58	K/02B	5322 122 32143	CER., 22PF \pm 5% CH 50V	DD15220300
CF48					CX59		4822 124 23054	ELECT., 0.47 μ F/50V	EJ47405010
			PF04-CAPACITORS (COMMON)		CX60		4822 122 32027	CER., 56PF \pm 5% CH 50V	DD15560300
C***			PLASTIC FILM CAP., \pm 5% 50V: CF13,CF14,CF17,CF18		CX61		4822 124 23053	ELECT., 1 μ F/50V	EJ10505010
					CX63		4822 124 23053	ELECT., 1 μ F/50V	EJ10505010
C* **			HIGH DIELECTRIC CONSTANT CERAMIC CAP. \pm 10% 50V: CF05,CF06,CF29,CF30		CX66		4822 122 31205	CER., 47PF \pm 5% CH 50V	DD15470300
					CX67		4822 125 50384	TRM., VCT51E 20PF	CT12000200
RF41		4822 100 11973	VARIABLE, 100K Ω (B) FOR TONE VR	RM01041300	CX70		4822 124 21899	ELECT., 4.7 μ F/25V	EJ47502510
RF42		4822 100 11973	VARIABLE, 100K Ω (B) FOR TONE VR	RM01041300	CX72		4822 122 30043	CER., 0.01 μ F +80% -20% 50V	DK18103310
RF43		4822 100 12007	VARIABLE, RK09L1120 L=20 SPECIAL W	RK01040620	CX74		4822 124 23053	ELECT., 1 μ F/50V	EJ10505010
			PF04-RESISTORS (COMMON)		CX75		4822 124 23055	ELECT., 22 μ F/10V	EJ22601010
R***			CARBON FILM FIXED RES., \pm 5% 1/6W: RF01,RF02,RF05,RF06, RF09, RF10,RF13,RF14,RF17, RF18, RF21,RF22,RF29,RF30,RF45, RF46,RF81,RF82					PL04-CAPACITORS (COMMON)	
					C***			ELECTROLYTIC CAP. TYPE,TOLERANCE \pm 20%: CL18,CL19,CL21,CX50,CX51, CX53,CX69,CX73,CX76	
								PLASTIC FILM CAP., \pm 5% 50V: CX64,CX65	
					C* **			HIGH DIELECTRIC CONSTANT CERAMIC CAP. \pm 10% 50V: CX62	
					R***			PL04-RESISTORS (COMMON) CARBON FILM FIXED RES., \pm 5% 1/6W:RL01-RL11,RL15, RL17(SR770)RL18, RL19, RX51-RX53, RX54(K/02B), RX55-RX57, RX59-RC62, RX65-RX69	

(VERS.:VERSION, U:U.S.A., F:JAPAN, K:FAR EAST, **:EUROPE)

POS. NO	VERS. COLOR	PART NO. (FOR PCS)	DESCRIPTION	PART NO. (MJI)
DL01		4822 130 32362	PL04-SEMICONDUCTORS DIODE, 1SS176 MA165	HD20002000
DL02		4822 130 32362	1SS254 30V 0.1A	HD20002000
DL03		4822 130 32362	DIODE, 1SS176 MA165	HD20002000
DL04		4822 130 32362	1SS254 30V 0.1A	HD20002000
DL05		4822 130 32362	DIODE, 1SS176 MA165	HD20002000
DL06		4822 130 32362	1SS254 30V 0.1A	HD20002000
DL07		4822 130 32362	DIODE, 1SS176 MA165	HD20002000
DL08		4822 130 32362	1SS254 30V 0.1A	HD20002000
DL09		4822 130 32362	DIODE, 1SS176 MA165	HD20002000
DL10		4822 130 32362	1SS254 30V 0.1A	HD20002000
DX61		4822 130 32362	DIODE, 1SS176,MA165, 1SS254 30V 0.1A	HD20002000
QL01		4822 209 31538	IC, LC7824 ANALOG SW	HC10275030
QL02	SR770	4822 209 31538	IC, LC7824 ANALOG SW	HC10275030
QL03		4822 209 32513	IC, MC 14576	HC10046170
QL04		4822 209 63455	IC, NJM2233D	HC12233090
QL05		4822 209 63455	IC, NJM2233D	HC12233090
QX60		4822 209 12668	IC, LC74760-9004 OSD LSI	HC10328030
QX61		4822 130 42298	TRS., C536SP,C2458,C3311,C1740S	HT30001000
QX62		4822 130 42594	DIG.TRS., DTC144ES/UN4213 47K,47K	BA20002000
QX63		4822 209 14611	IC, NJM2267D VIDEO AMP	HC10141090
QX64		4822 130 42298	TRS., C536SP,C2458 ,C3311,C1740S	HT30001000
JL01		4822 265 10676	PL04-MISCELLANEOUS TERMINAL, YKC21-3235	YT02041130
JL02		4822 265 41264	TERMINAL, YKC21-3111	YT02030370
LX51		4822 157 62909	COIL, LAL02TA220J 22UH	LC12233800
LX52		4822 157 63312	COIL, LAL02TA5R6J 5.6UH	LC15623800
LX53		4822 242 73843	EMI FILT., DSS306-91-F-223Z	FM12223010
XX51		4822 242 80288	CRYSTAL, AT49/14.31818MHZ(TP)	JX14001260
XX52	K/02B	4822 242 73903	CRYSTAL, AT49 17.7MHZ	JX17001260
CL52		4822 124 21894	PL54-S-VIDEO CIRCUIT BOARD [SR870 ONLY] PL54-CAPACITORS ELECT., 10 μ F 16V	EJ10601610
CL53		4822 124 21894	ELECT., 10 μ F 16V	EJ10601610
CL57		4822 124 21894	ELECT., 10 μ F/16V	EJ10601610
CL60				
CL67		4822 122 40617	CER., 50V DC 0.1 μ F +80 20%	DD38104010
CL71		4822 124 21894	ELECT., 10 μ F \pm 20% 16V	EJ10601610
CL76		4822 122 30043	CER., 0.01 μ F +80%-20% 50V	DK18103310
CL78		4822 124 21894	ELECT., 10 μ F \pm 20% 16V	EJ10601610

(VERS.:VERSION, U:U.S.A., F:JAPAN, K:FAR EAST, **:EUROPE)

POS. NO	VERS. COLOR	PART NO. (FOR PCS)	DESCRIPTION	PART NO. (MJI)
<u>R***</u>			PL04-RESISTORS (COMMON) CARBON FILM FIXED RES., \pm 5% 1/6W:RL52,RL53, RL57-RL60,PL63,RL64, RL67-RL72,RL75	
QL55		4822 209 32513	PL54-SEMICONDUCTORS IC, MC 14576	HC10046170
QL56		4822 209 32513	IC, MC 14576	HC10046170
QL58		4822 209 31538	IC, LC7824 ANALOG	HC10275030
JL52		4822 265 31302	PL54-MISCELLANEOUS TERMINAL, 3P S VIDEO YKF51-5506	YT02030350
JL53		4822 265 10678	TERMINAL, 1P S VIDEO YKF51-5506	YT02011010
CL91		4822 124 21894	PL94-AUX IN CIRCUIT BOARD PL94-CAPACITORS ELECT., 10 μ F/16V	EJ10601610
CL92		4822 124 23055	ELECT., 22 μ F/16V	EJ22601610
<u>C**</u>			PL04-CAPACITORS (COMMON) HIGH DIELECTRIC CONSTANT CERAMIC CAP. \pm 10% 50V: CL93,CL94	
<u>R***</u>			PL94-RESISTORS (COMMON) CARBON FILM FIXED RES., \pm 5% 1/6W:RL91,RL92, UL02{/02B},UL03{/02B}	
JL91		4822 265 10679	PL94-MISCELLANEOUS TERMINAL, AUX	YT02030410
SU55		4822 273 10296	ROTARY SW., ROTARY ENCODER EC16B40B0	SR02010040
CP03		4822 124 80542	PP04-SURROUND AMP CIRCUIT BOARD PP04-CAPACITORS ELECT., 10 μ F \pm 20% 63V	EQ10606390
CP04		4822 124 80542	ELECT., 10 μ F \pm 20% 63V	EQ10606390
CP07	K,U	4822 122 32185	CER., 10PF D CH 50V	DD11100300
CP07	/02B	4822 122 31188	CER., 3PF C CJ 50V BLK	DD10030300
CP08	K,U	4822 122 31188	CER., 3PF C CJ 50V BLK	DD10030300
CP08	/02B	4822 122 32185	CER., 10PF D CH 50V	DD11100300
CP09				
I		4822 124 21895	ELECT., 0.22 μ F/50V	EJ22405010
CP12				
CP17		4822 124 23055	ELECT., 22 μ F/10V	EJ22601010
CP21	/02B	4822 122 31205	CER., 47PF \pm 5% CH 50V	DD15470300
CP22	/02B	4822 122 31205	CER., 47PF \pm 5% CH 50V	DD15470300
<u>C***</u>			PL04-CAPACITORS (COMMON) ELECTROLYTIC CAP. TYPE,TOLERANCE \pm 20%:CP05,CP06,CP13-CP16	
<u>C**</u>			HIGH DIELECTRIC CONSTANT CERAMIC CAP. \pm 10% 50V: CP01,CP02	

(VERS.:VERSION, U:U.S.A., F:JAPAN, K:FAR EAST, **:EUROPE)

POS. NO	VERS. COLOR	PART NO. (FOR PCS)	DESCRIPTION	PART NO. (MJ)
RP11		4822 113 80363	PP04-RESISTORS 0.22Ω ±10% 3W	GO10222030
RP12		4822 113 80363	0.22Ω ±10% 3W	GO10222030
RP13	SR870	4822 052 10102	1KΩ ±5% 1/6W	GG05102160
RP13	SR770	4822 052 10102	220Ω ±5% 1/6W	GG05221160
RP14	SR870	4822 052 10102	1KΩ ±5% 1/6W	GG05102160
RP14	SR770	4822 052 10102	220Ω ±5% 1/6W	GG05221160
RP21		4822 053 10109	10Ω ±5% 1W	GA05100010
RP22		4822 053 10109	10Ω ±5% 1W	GA05100010
RP25	SR870	4822 052 10101	100Ω ±5% 1/6W	GG05101160
RP25	SR770	4822 052 10101	47Ω ±5% 1/6W	GG05470160
RP26	SR870	4822 052 10101	100Ω ±5% 1/6W	GG05101160
RP26	SR770	4822 052 10101	47Ω ±5% 1/6W	GG05470160
RP99		4822 052 10109	10Ω ±5% 1/4W	GG05100140
R***			PP04-RESISTORS (COMMON) CARBON FILM FIXED RES., ±5% 1/6W:RR01-RP10,RP15- PR20,RP23,RP24,RP27-RP29	
DP01		4822 130 80837	PP04-SEMICONDUCTORS DIODE, HSS81TD 150V 150MA	HD20027010
DP02		4822 130 80837	DIODE, HSS81TD 150V 150MA	HD20027010
▲ QP01	SR870	4822 209 32696	IC, STK401-110 POWER PACK	HC10312030
▲ QP01	SR770	4822 209 15287	IC, STK401-050 POWER PACK	HC10358030
QP02		4822 130 43233	TRS., 2SC2240 GR OR BL	HT322402A0
QP03		4822 130 43233	TRS., 2SC2240 GR OR BL	HT322402A0
QP04		4822 130 42949	TRS., 2SA970 (GR) OR (BL)	HT109702A0
LP01		4822 157 70022	PP04-MISCELLANEOUS AIR COIL, SPK CHOCK COIL	ML08010030
LP02		4822 157 70022	AIR COIL, SPK CHOCK COIL	ML08010030
	SR870/ SR770		PP91/PP94-VOL-SEL CIRCUIT BOARD [K VERSION] PP91/PP94-MISCELLANEOUS SLIDE SW., SDKGA4 SEMKO	
SP91	K	4822 277 21825		SS02021510
CS01			PS04-AUDIO FUNCTION CIRCUIT BOARD PS04-CAPACITORS	
I		4822 124 21894	ELECT., 10 μF/16V	EJ10601610
CS06		4822 124 21899	ELECT., 4.7 μF 25V	EJ47502510
CS07		4822 124 21899	ELECT., 4.7 μF 25V	EJ47502510
CS08		4822 124 21899	ELECT., 4.7 μF 25V	EJ47502510
CS11		4822 124 21899	ELECT., 4.7 μF/25V	EJ47502510
CS12		4822 124 21899	ELECT., 4.7 μF/25V	EJ47502510
CS15		4822 124 21899	ELECT., 4.7 μF/25V	EJ47502510
CS16		4822 124 21899	ELECT., 4.7 μF/25V	EJ47502510
CS17		4822 124 21894	ELECT., 10 μF/16V	EJ10601610
CS18		4822 124 21894	ELECT., 10 μF/16V	EJ10601610
CS19		4822 122 40617	CER., 50V 0.1 μF +80% 20%	DD38104010
CS21		4822 122 40617	CER., 0.1 μF 50V	DD38104010
CS22		4822 122 40617	CER., 0.1 μF 50V	DD38104010
C***			PS04-CAPACITORS (COMMON) ELECTROLYTIC CAP. TYPE,TOLERANCE ± 20%:CS09,CS10,CS13,CS14	
C**			HIGH DIELECTRIC CONSTANT CERAMIC CAP. ±10% 50V: CS23-CS38[02B]	

(VERS.:VERSION, U:U.S.A., F:JAPAN, K:FAR EAST, **:EUROPE)

POS. NO	VERS. COLOR	PART NO. (FOR PCS)	DESCRIPTION	PART NO. (MJ)
R***			PS04-RESISTORS (COMMON) CARBON FILM FIXED RES., ±5% 1/6W:RS01-RS22, RS27-RS34,RS41,RS42	
QS01		4822 209 83631	PS04-SEMICONDUCTORS IC, NJM4558D-D	HC10008090
QS02		4822 209 83631	IC, NJM4558D-D	HC10008090
QS03		4822 209 83631	IC, NJM4558D-D	HC10008090
QS05		4822 209 83631	IC, NJM4558DD	HC10008090
QS11		4822 209 32552	IC, LC78211	HC10308030
QS12		4822 209 32554	IC, LC78213	HC10310030
QS13		4822 209 83631	IC, NJM4558DD	HC10008090
JS01		4822 265 10748	PS04-MISCELLANEOUS TERMINAL, 14X14 RCA 2L6P W/R NI FLM-GND	YT02060460
JS02		4822 267 31823	TERMINAL, RCA PIN JACK RA2L4P YKC21-3049	YT02040940
CG51		4822 124 21899	PS54-V-AUDIO FUNCTION CIRCUIT BOARD PS54-CAPACITORS ELECT., 4.7 μF 25V	EJ47502510
CG52		4822 124 21899	ELECT., 4.7 μF 25V	EJ47502510
CG55			ELECT., 4.7 μF/25V	EJ47502510
I		4822 124 21899	ELECT., 4.7 μF/25V	EJ47502510
CG60			ELECT., 4.7 μF/25V	EJ47502510
CG63		4822 124 21899	ELECT., 4.7 μF/25V	EJ47502510
CG64		4822 124 21899	ELECT., 4.7 μF/25V	EJ47502510
CS51			ELECT., 10 μF/16V	EJ10601610
I		4822 124 21894	ELECT., 10 μF/16V	EJ10601610
CS58			ELECT., 4.7 μF 25V	EJ47502510
CS59		4822 124 21899	ELECT., 4.7 μF 25V	EJ47502510
CS60		4822 124 21899	ELECT., 4.7 μF 25V	EJ47502510
CS61		4822 122 40617	CER., 50V 0.1 μF +80 -20%	DD38104010
CS68		4822 122 40617	CER., 0.1 μF 50V	DD38104010
CS69		4822 122 40617	CER., 0.1 μF 50V	DD38104010
CS70		4822 122 40617	CER., 0.1 μF 50V	DD38104010
CS93		4822 124 21894	ELECT., 10 μF/16V	EJ10601610
CS94		4822 124 21894	ELECT., 10 μF/16V	EJ10601610
C***			PS54-CAPACITORS (COMMON) ELECTROLYTIC CAP. TYPE,TOLERANCE ± 20%:CS62,CS63,CS65,CS66	
C**			HIGH DIELECTRIC CONSTANT CERAMIC CAP. ±10% 50V: [02B] CG61,CG62,CG71-CS90	
R***			PS54-RESISTORS (COMMON) CARBON FILM FIXED RES., ±5% 1/6W:RG51-RG72,RS51- RS87,RS83-RS86,RS93,RS94	
QG51		4822 130 61892	PS54-SEMICONDUCTORS TRS., 2SD2144S/U/V	HT421442A0
QG52		4822 130 61892	TRS., 2SD2144S/U/V	HT421442A0
QG55		4822 209 83631	IC, NJM4558DD	HC10008090
QG56		4822 209 83631	IC, NJM4558DD	HC10008090
QG57		4822 209 31575	IC, TC9213P	HC10304050
QG59		4822 130 61892	TRS., 2SD2144 S/U/V	HT421442A0

(VERS.:VERSION, U:U.S.A., F:JAPAN, K:FAR EAST, *:EUROPE)

POS. NO	VERS. COLOR	PART NO. (FOR PCS)	DESCRIPTION	PART NO. (MJI)
QG60		4822 130 61892	TRS., 2SD2144 S/U/V	HT421442A0
QS51				
I		4822 209 83631	IC, NJM4558D-D	HC10008090
QS55				
QS56		4822 209 32552	IC, LC78211	HC10308030
QS57		4822 209 32553	IC, LC78212	HC10309030
			PS54-SEMICONDUCTORS	
JS51		4822 265 10748	TERMINAL, 14X14 RCA 2L6P W/R NI FLM-GND	YT02060460
JS52		4822 267 31451	TERMINAL, 8P CINCH YKC21-3052	YT02080110
			PU04-FRONT CIRCUIT BOARD	
			PU04-CAPACITORS	
CL14	/02B	4822 122 30043	CER., 0.01 μ F +80% -20% 50V	DK18103310
CU01		4822 122 40588	CER., 0.022 μ F TP050F223Z	DA17223110
CU02		4822 124 23056	ELECT., 47 μ F/10V	EJ47601010
CU03		4822 124 80087	ELECT., 220 μ F/6.3V	EJ22700610
CU04		4822 122 40588	CER., 0.022 μ F TP050F223Z	DA17223110
CU05		4822 126 11558	CER., 0.1 μ F +80% -20% 50V	DA17104110
CU07		4822 124 90406	BIG ELECT., FMOH223ZTP16	EX22300530
CU10		4822 122 40588	CER., 0.022 μ F TP050F223Z	DA17223110
CU13		4822 122 40617	CER., 0.1 μ F +80% -20% 50V	DD38104010
CU14	/02B	4822 122 30043	CER., 0.01 μ F +80% -20% 50V	DK18103310
			PU04-RESISTORS (COMMON)	
<u>R***</u>			CARBON FILM FIXED RES., \pm 5% 1/6W:RU01-RU09, RU11, RU14-RU20, RU22, RU27, RU29, RU30, RU40, RU46, RU51-RU54	
			PU04-SEMICONDUCTORS	
DU01				
I		4822 130 80589	DIODE, 1SS132	HD20029210
DU04				
DU05				
I		4822 130 32362	DIODE, 1SS176, MA165, 1SS254 30V 0.1A	HD20002000
DU10				
DU14	UBL	4822 130 80589	DIODE, 1SS132	HD20029210
DU17	/02B	4822 130 80589	DIODE, 1SS135	HD20029210
DU19				
I		4822 130 32362	DIODE, 1SS176, MA165, 1SS254 30V 0.1A	HD20002000
DU21				
DU22		4822 130 80326	L.E.D., LT3D8B RED 30	HI10062320
DU23				
I		4822 130 32362	DIODE, 1SS176, MA165, 1SS254 30V 0.1A	HD20002000
DU28				
DU48				
I		4822 130 32362	DIODE, 1SS176 MA165 1SS254 30V 0.1A	HD20002000
DU50				
QU01			MICROPROCESSOR, TMP87CP71F	HU268JT02F
QU02		4822 130 61227	DIG.TRS., DTA114ES/UN4111 10K,10K	BA10001000
QU03		4822 130 42298	TRS., C536SP,C2458,C3311,C1740S	HT30001000
QU04		4822 130 42594	DIG.TRS., DTC144ES/UN4213 47K,47K	BA20002000
QU07		4822 130 60588	DIG.TRS., DTC114ES/UN4211 10K,10K	BA20001000

(VERS.:VERSION, U:U.S.A., F:JAPAN, K:FAR EAST, *:EUROPE)

POS. NO	VERS. COLOR	PART NO. (FOR PCS)	DESCRIPTION	PART NO. (MJI)
QU08		4822 130 42594	DIG.TRS., DTC144ES/UN4213 47K,47K	BA20002000
QU09		4822 130 42594	DIG.TRS., DTC144ES/UN4213 47K,47K	BA20002000
QU10		4822 130 42682	DIG.TRS., DTA114ES/UN4113 47K,47K	BA10002000
QU11		4822 130 63211	DIG.TRS., DTA114TS	BA10003210
QU12		4822 130 61227	DIG.TRS., DTA114ES/UN4111 10K,10K	BA10001000
QU14		4822 130 42682	DIG.TRS., DTA114ES/UN4113 47K,47K	BA10002000
QU15		4822 130 42594	DIG.TRS., DTC144ES/UN4213 47K,47K	BA20002000
QU16		4822 130 83519	PHOTO UNIT, IR RECIVER RPM-670CBR H-15MM	HW10001210
QU17		4822 130 61227	DIG.TRS., DTA114ES/UN4111 10K,10K	BA10001000
QU18		4822 209 31932	IC, 74HC125	HC712500B0
			PU04-MISCELLANEOUS	
SU01		4822 276 20508	PUSH SW., TACK SKHVAE	SP01011280
SU02	/02B	4822 276 20508	PUSH SW., TACK SKHVAE	SP01011280
SU03		4822 276 20508	PUSH SW., TACK SKHVAE	SP01011280
SU04	/02B	4822 276 20508	PUSH SW., TACK SKHVAE	SP01011280
SU05		4822 276 20508	PUSH SW., TACK SKHVAE	SP01011280
SU06	/02B	4822 276 20508	PUSH SW., TACK SKHVAE	SP01011280
SU07		4822 276 20508	PUSH SW., TACK SKHVAE	SP01011280
SU09		4822 276 20508	PUSH SW., TACK SKHVAE	SP01011280
SU13				
I		4822 276 20508	PUSH SW., TACK SKHVAE	SP01011280
SU19				
SU21		4822 276 20508	PUSH SW., TACK SKHVAE	SP01011280
SU23				
I		4822 276 20508	PUSH SW., TACK SKHVAE	SP01011280
SU34				
VU01		4822 130 91499	DISPLAY UNIT, FIP12DM8R NEC 12DIGIT 16SEG	HQ31206060
XU01		4822 242 72066	CER. VIB., CST8.0MHZ (MT)	FQ08004010
			PU54-MASTER VOL CIRCUIT BOARD	
			PU54-CAPACITORS	
CU51		4822 126 10364	CER., 100PF UP050B101K-A	DA16101110
CU52		4822 126 10364	CER., 100PF UP050B101K-A	DA16101110
			PU54-SEMICONDUCTORS	
QU51		4822 130 42298	TRS., C536SP,C2458,C3311,C1740S	HT30001000
QU52		4822 130 42298	TRS., C536SP,C2458,C3311,C1740S	HT30001000
			PU94-POWER SW CIRCUIT BOARD	
			PU94-MISCELLANEOUS	
SU91	K/02B	4822 276 12217	PUSH SW., ALPS SPUL LOCK	SP02011570
SU91	UBL	4822 276 12512	PUSH SW., ALPS SPUL NON-LOCK	SP02011670

(VERS.:VERSION, U:U.S.A., F:JAPAN, K:FAR EAST, *:EUROPE)

POS. NO	VERS. COLOR	PART NO. (FOR PCS)	DESCRIPTION	PART NO. (MJ)
			PV04-DIRECT IN CIRCUIT BOARD	
			PV04-CAPACITORS	
CF51		4822 124 21894	ELECT., 10 μ F \pm 20% 16V	EJ10601610
CF52		4822 124 21894	ELECT., 10 μ F \pm 20% 16V	EJ10601610
CF53		4822 124 21894	ELECT., 10 μ F \pm 20% 16V	EJ10601610
CF65		4822 124 21894	ELECT., 10 μ F \pm 20% 16V	EJ10601610
CT04	/02B	4822 122 30043	CER., 0.01 μ F +80% -20% 50V	DK18103310
CV01				
I		4822 124 21894	ELECT., 10 μ F/16V	EJ10601610
CV06				
CV07		4822 122 40617	CER., 50V 0.1 μ F +80 -20%	DD38104010
CV08		4822 122 40617	CER., 50V 0.1 μ F +80 -20%	DD38104010
CV19		4822 124 21894	ELECT., 10 μ F/16V	EJ10601610
CV20		4822 124 21894	ELECT., 10 μ F/16V	EJ10601610
CV21		4822 124 21894	ELECT., 10 μ F/16V	EJ10601610
CV22		4822 124 21894	ELECT., 10 μ F/16V	EJ10601610
CV29	/02B	4822 122 30043	CER., 0.01 μ F +80% -20% 50V	DK18103310
CV30	/02B	4822 122 30043	CER., 0.01 μ F +80% -20% 50V	DK18103310
CV31		4822 124 21894	ELECT., 10 μ F/16V	EJ10601610
CV32		4822 124 21894	ELECT., 10 μ F/16V	EJ10601610
CV34		4822 124 21894	ELECT., 10 μ F/16V	EJ10601610
CV36		4822 124 21894	ELECT., 10 μ F/16V	EJ10601610
CV37		4822 122 40588	CER., 0.022 μ F TP050F223Z	DA17223110
CV38		4822 126 10935	ELECT., 100 μ F/6.3V	EJ10700610
CV39	SR870	4822 122 40617	CER., 0.1 μ F +80% -20% 50V	DD38104010
CV40		4822 122 40588	CER., 0.022 μ F TP050F223Z	DA17223110
CV43		4822 122 40617	CER., 50V 0.1 μ F +80 -20%	DD38104010
CV88	SR770	4822 122 30043	CER., 0.01 μ F +80% -20% 50V	DK18103310
CV89	SR770	4822 122 30043	CER., 0.01 μ F +80% -20% 50V	DK18103310
			PV04-CAPACITORS (COMMON)	
C***			PLASTIC FILM CAP., \pm 5% 50V: CF61-CF64	
C**	/02B		HIGH DIELECTRIC CONSTANT CERAMIC CAP. \pm 10% 50V: [02B]CV23-CV28, CV45-CV50, CV91-CV95, CV97	
			PV04-RESISTORS (COMMON)	
R***			CARBON FILM FIXED RES., \pm 5% 1/6W: RF51-RF53, RF61- RF71, RT19, RV01-RV21, RV35- RV42, RV44, RV46-RV48	
			PV04-SEMICONDUCTORS	
QF51		4822 209 83631	IC, NJM4558D-D	HC10008090
QF52		4822 209 83631	IC, NJM4558D-D	HC10008090
QF61		4822 209 83631	IC, NJM4558D-D	HC10008090
QF62		4822 209 83631	IC, NJM4558D-D	HC10008090
QV01		4822 209 83631	IC, NJM4558D-D	HC10008090
QV02		4822 209 83631	IC, NJM4558D-D	HC10008090
QV03		4822 209 83631	IC, NJM4558D-D	HC10008090
QV04		4822 209 32553	IC, LC78212	HC10309030
QV06		4822 209 62784	IC, ANALOGUE TC9215P	HC10262050
QV07		4822 209 83631	IC, NJM4558D-D	HC10008090

(VERS.:VERSION, U:U.S.A., F:JAPAN, K:FAR EAST, *:EUROPE)

POS. NO	VERS. COLOR	PART NO. (FOR PCS)	DESCRIPTION	PART NO. (MJ)
			PVC04-SEMICONDUCTORS	
JV02		4822 265 10681	TERMINAL, YKC21-3332	YT02060540
JV03		4822 267 41009	TERMINAL, 2P RCA PIN JACK ORANGE	YT02020890
LV04		4822 242 73843	EMI FILTER, DSS306-55F223Z16	FM12223010
LV05		4822 242 73843	EMI FILTER, DSS306-55F223Z16	FM12223010
LV06		4822 242 73843	EMI FILTER, DSS306-55F223Z16	FM12223010
			PW04-H.P CIRCUIT BOARD	
			PW04-CAPACITORS	
CW01	/02B	4822 122 30043	CER., 0.01 μ F +80% -20% 50V	DK18103310
CW02	/02B	4822 122 30043	CER., 0.01 μ F +80% -20% 50V	DK18103310
CW03	/02B	4822 122 30043	CER., 0.01 μ F +80% -20% 50V	DK18103310
			PW04-MISCELLANEOUS	
JW01	BLACK	4822 265 10685	JACK, H.P JACK HLJ2307-01- 3160	YJ01004240
JW01	GOLD		JACK, H.P JACK HLJ2307-01- 3163	YJ01004330
			PY04-CONNECT CIRCUIT BOARD	
			PY04-CAPACITORS	
CS91		4822 124 21894	ELECT., 10 μ F/16V	EJ10601610
CS92		4822 124 21894	ELECT., 10 μ F/16V	EJ10601610
CY01	SR870	4822 124 21899	ELECT., 4.7 μ F \pm 20% 25V	EJ47502510
	K,U			
CY01	SR770	4822 124 21899	ELECT., 4.7 μ F \pm 20% 25V	EJ47502510
	U			
CY02	K/02B	4822 126 12867	ELECT., 1000 μ F/6.3V	OA108006Q0
CY02	U	4822 122 40617	CER., 0.1 μ F 50V	DD38104010
CY04		4822 122 40617	CER., 0.1 μ F 50V	DD38104010
CY06	SR870	4822 122 31205	CER., 47PF \pm 5% CH 50V BLK	DD15470300
	U			
CY06	SR770	4822 122 31205	CER., 47PF \pm 5% CH 50V BLK	DD15470300
	/02B			
CY08	SR870	4822 122 31205	CER., 47PF \pm 5% 50V CH	DD15470300
	K,U			
CY09	U	4822 122 31205	CER., 47PF \pm 5% 50V CH	DD15470300
CY10	U	4822 122 30043	CER., 0.01 μ F +80% -20% 50V	DK18103310
CY10	SR770	4822 122 30043	CER., 0.01 μ F +80% -20% 50V	DK18103310
	/02B			
CY11	SR870	4822 122 30043	CER., 0.01 μ F +80% -20% 50V	DK18103310
	U			
CY11	SR770	4822 122 30043	CER., 0.01 μ F +80% -20% 50V	DK18103310
	/02B			
CY12	SR770	4822 122 31205	CER., 47PF \pm 5% CH 50V BLK	DD15470300
	K/02B			
CY13	U	4822 122 31205	CER., 47PF \pm 5% 50V	DD15470300
CY13	SR770	4822 122 30043	CER., 0.01 μ F +80% -20% 50V	DK18103310
	/02B			
CY14		4822 122 40617	CER., 0.1 μ F +80% -20% 50V	DD38104010
CY15	/02B	4822 122 30043	CER., 0.01 μ F +80% -20% 50V	DK18103310
CY89	SR770	4822 122 30043	CER., 0.01 μ F +80% -20% 50V	DK18103310
	/02B			
CY90	SR770	4822 122 30043	CER., 0.01 μ F +80% -20% 50V	DK18103310
	/02B			
CY91	/02B	4822 122 30043	CER., 0.01 μ F +80% -20% 50V	DK18103310

(VERS.:VERSION, U:U.S.A., F:JAPAN, K:FAR EAST, *:EUROPE)

POS. NO	VERS. COLOR	PART NO. (FOR PCS)	DESCRIPTION	PART NO. (MJJ)
CY92		4822 122 30043	CER., 0.01 μ F +80% -20% 50V	DK18103310
CY94	SR870	4822 122 30043	CER., 0.01 μ F +80% -20% 50V	DK18103310
CY94	SR770 K/02B	4822 122 30043	CER., 0.01 μ F +80% -20% 50V	DK18103310
CY95	K,U	4822 122 31205	CER., 47PF \pm 5% 50V CH	DD15470300
CY97		4822 122 30043	CER., 0.01 μ F +80% -20% 50V	DK18103310
C* **			PY04-CAPACITORS (COMMON) HIGH DIELECTRIC CONSTANT CERAMIC CAP. \pm 10% 50V: [02B]CS95,CS96	
R***			PY04-RESISTORS (COMMON) CARBON FILM FIXED RES., \pm 5% 1/6W:RY01-RY33, UY97[02B]	
			PY04-SEMICONDUCTORS	
DY01		4822 130 32362	DIODE, DIODE SUBSTITUTE	HD20002000
DY02		4822 130 32362	DIODE, DIODE SUBSTITUTE	HD20002000
DY03		4822 130 32362	DIODE, DIODE SUBSTITUTE	HD20002000
DY04		4822 130 32362	DIODE, DIODE SUBSTITUTE	HD20002000
DY09		4822 130 82421	DIODE, 1D3 1A/200V	HD20002710
DY10		4822 130 32362	DIODE, 1SS176 MA165 1SS254 30V 0.1A	HD20002000
DY11		4822 130 32362	DIODE, 1SS176 MA165 1SS254 30V 0.1A	HD20002000
DY14		4822 130 80316	ZENER DIODE, 3.6V MTZJ3.6A RD3.6ES-B1 04AZ3.6X	HD30361000
QS91		4822 209 83631	IC, NJM4558D-D	HC10008090
QY01		4822 130 61227	DIG.TR.S., DTA114ES/ETC	BA10001000
QY02		4822 130 42594	DIG.TR.S., DTC144ES/UN4213 47K,47K	BA20002000
QY03		4822 130 61227	DIG.TR.S., DTA114ES/ETC	BA10001000
QY04		4822 130 42594	DIG.TR.S., DTC144ES/UN4213 47K,47K	BA20002000
QY05		4822 130 61227	DIG.TR.S., DTA114ES/ETC	BA10001000
QY06		4822 130 42594	DIG.TR.S., DTC144ES/UN4213 47K,47K	BA20002000
QY07		4822 130 61227	DIG.TR.S., DTA114ES/ETC	BA10001000
QY08		4822 130 42594	DIG.TR.S., DTC144ES/UN4213 47K,47K	BA20002000
QY10		4822 209 33024	IC, TC9173P	HC10370050
QY11		4822 209 61704	IC, TC9174P	HC10250050
QY12		4822 209 14612	IC, 74HC541	HC754100B0
QY13		4822 130 42594	DIG.TR.S., DTC144ES/UN4213	BA20002000
QY14		4822 130 61227	DIG.TR.S., DTA114ES/ETC	BA10001000
QY15		4822 130 60588	DIG.TR.S., DTC114ES/ETC	BA20001000
JY09			PY04-MISCELLANEOUS JACK, 9604S-31F 31P FFC CONNECTOR	YJ07011240
UY72	K/02B	4822 130 32508	DIODE, RL103E(RECTRON)/DSF10C	HD20003000
			P104-TUNER CIRCUIT BOARD	
			P104-CAPACITORS	
CA01		4822 125 50384	TRM., VCT51E 20PF	CT12000200
CA02		4822 122 40306	CER., 0.047 μ F +80% -20% 50V	DK18473310
CA03		4822 122 31823	CER., 15PF \pm 5% CH 50V	DD15150300
CA04		4822 121 42466	FILM, 390PF 100V ECQ-P	DF15391550
CA05		4822 122 31205	CER., 47PF \pm 5% CH 50V	DD15470300

(VERS.:VERSION, U:U.S.A., F:JAPAN, K:FAR EAST, *:EUROPE)

POS. NO	VERS. COLOR	PART NO. (FOR PCS)	DESCRIPTION	PART NO. (MJJ)
CA06		4822 122 30043	CER., 0.01 μ F +80% -20% 50V	DK18103310
CA07	/02B	4822 122 30043	CER., 0.01 μ F +80% -20% 50V	DK18103310
CA08	/02B	4822 125 50384	TRM., VCT51E 20PF	CT12000200
CA09	/02B	4822 122 31823	CER., 15PF \pm 5% CH 50V	DD15150300
CA11	/02B	4822 122 31349	CER., 68PF \pm 5% CH 50V	DD15680300
CA12	/02B	4822 122 10367	CER., 150PF \pm 5% CH 50V	DD15151300
CA13	/02B	4822 122 30043	CER., 0.01 μ F +80% -20% 50V	DK18103310
CA14	/02B	4822 122 30043	CER., 0.01 μ F +80% -20% 50V	DK18103310
CA18		4822 124 21899	ELECT., 4.7 μ F/25V	EJ47502510
C201		4822 122 30043	CER., 0.01 μ F +80% -20% 50V	DK18103310
C202		4822 122 30043	CER., 0.01 μ F +80% -20% 50V	DK18103310
C203		4822 122 40306	CER., 0.047 μ F +80% -20% 50V	DK18473310
C204		4822 122 40306	CER., 0.047 μ F +80% -20% 50V	DK18473310
C205		4822 124 23053	ELECT., 0.047 μ F/50V Z	EJ10505010
C206		4822 124 21894	ELECT., 10 μ F/16V	EJ10601610
C208		4822 122 40306	CER., 0.047 μ F +80% -20% 50V	DK18473310
C209		4822 124 23053	ELECT., 1 μ F/50V	EJ10505010
C210		4822 122 30043	CER., 0.01 μ F +80% -20% 50V	DK18103310
C211		4822 124 40786	ELECT., 2.2 μ F \pm 20% 50V	EJ22505010
C212		4822 124 23053	ELECT., 1 μ F/50V	EJ10505010
C213		4822 124 23054	ELECT., 0.47 μ F/50V	EJ47405010
C215		4822 122 40306	CER., 0.047 μ F +80% -20% 50V	DK18473310
C218		4822 122 30043	CER., 0.01 μ F +80% -20% 50V	DK18103310
C219		4822 124 21894	ELECT., 10 μ F/16V	EJ10601610
C223		4822 122 30043	CER., 0.01 μ F +80% -20% 50V	DK18103310
C224	K/02B	4822 122 30043	CER., 0.01 μ F +80% -20% 50V	DK18103310
C225		4822 122 30043	CER., 0.01 μ F +80% -20% 50V	DK18103310
C226		4822 122 30043	CER., 0.01 μ F +80% -20% 50V	DK18103310
C227	K/02B	4822 121 42466	FILM, 390PF \pm 5%	DF15391550
C233		4822 122 30043	CER., 0.01 μ F +80% -20% 50V	DK18103310
C234		4822 122 30043	CER., 0.01 μ F +80% -20% 50V	DK18103310
C303		4822 124 21894	ELECT., 10 μ F/16V	EJ10601610
C304		4822 124 21894	ELECT., 10 μ F/16V	EJ10601610
C305	K/02B	4822 124 21899	ELECT., 4.7 μ F/25V	EJ47502510
C306	K/02B	4822 124 21899	ELECT., 4.7 μ F/25V	EJ47502510
C307	K/02B	4822 124 21894	ELECT., 10 μ F/16V	EJ10601610
C308	K/02B	4822 124 21894	ELECT., 10 μ F/16V	EJ10601610
C311		4822 124 21899	ELECT., 4.7 μ F/25V	EJ47502510
C312		4822 124 21899	ELECT., 4.7 μ F/25V	EJ47502510
C313	K/02B	4822 124 21894	ELECT., 10 μ F/16V	EJ10601610
C501		4822 122 31205	CER., 47PF \pm 5% CH 50V	DD15470300
C502		4822 122 31205	CER., 47PF \pm 5% CH 50V	DD15470300
C504		4822 122 30043	CER., 0.01 μ F +80% -20% 50V	DK18103310
C505		4822 124 23053	ELECT., 1 μ F/50V	EJ10505010
C506		4822 124 41604	ELECT., 0.1 μ F/50V	EJ10405010
C507		4822 122 30043	CER., 0.01 μ F +80% -20% 50V	DK18103310
C511		4822 122 30043	CER., 0.01 μ F +80% -20% 50V	DK18103310
C902	/02B	4822 124 21894	ELECT., 10 μ F/16V	EJ10601610
C905	/02B	4822 122 30043	CER., 0.01 μ F +80% -20% 50V	DK18103310
C906	/02B	4822 122 30043	CER., 0.01 μ F +80% -20% 50V	DK18103310
C907	/02B	4822 124 21894	ELECT., 10 μ F/16V	EJ10601610
C908	/02B	4822 124 21894	ELECT., 10 μ F/16V	EJ10601610
C909	/02B	4822 124 21899	ELECT., 4.7 μ F/25V	EJ47502510
C910	/02B	4822 124 21894	ELECT., 10 μ F/16V	EJ10601610
C911	/02B	4822 122 30103	CER., 0.022 μ F +80% -20% 50V	DK18223310
C915	/02B	4822 122 30043	CER., 0.01 μ F +80% -20% 50V	DK18103310

(VERS.:VERSION, U:U.S.A., F:JAPAN, K:FAR EAST, *:EUROPE)

POS. NO	VERS. COLOR	PART NO. (FOR PCS)	DESCRIPTION	PART NO. (MJI)
C***			P104-CAPACITORS (COMMON) ELECTROLYTIC CAP. TYPE,TOLERANCE $\pm 20\%$: C207,C214,C216,C314[K/02B], C503,C508,C901[02B]	
C***			PLASTIC FILM CAP., $\pm 5\%$ 50V:C217[U],C301,C302, C309[K],C310[K], C912-C914[02B]	
C***			HIGH DIELECTRIC CONSTANT CERAMIC CAP. $\pm 10\%$ 50V: C217[K/02B],C220,C222, C227[U],C315-C318[02B], C509,C510,C903,C904	
			P104-RESISTORS	
RA11		4822 100 11352	TRIM, 22K Ω RH0638CJ4R	RA02230780
▲ R207		4822 050 21801	180 Ω $\pm 5\%$ 1/4W	GG05181140
R211		4822 100 11352	TRIM, 22K Ω RH0638CJ4R	RA02230780
R212		4822 100 11373	TRIM, 4.7K Ω B	RA04720780
▲ R217	K,U	4822 116 83929	220 Ω $\pm 5\%$ 1/4W	GG05221140
▲ R217	/02B	4822 050 21801	180 Ω $\pm 5\%$ 1/4W	GG05181140
R218	SR870 K/02B	4822 100 11373	RES.TRIM, 4.7K Ω B [SR870]	RA04720780
R218	SR770 K/02B	4822 100 11373	RES.TRIM, 2.2K Ω B [SR770]	RA02220780
R313	K/02B	4822 116 83929	220 Ω $\pm 5\%$ 1/4W	GG05221140
▲ R512		4822 053 10271	270 Ω $\pm 5\%$ 1W	GA05271010
▲ R514		4822 052 10479	47 Ω $\pm 5\%$ 1/6W	GG05470160
R906	/02B	4822 100 11373	TRIM, 4.7K Ω RH0638CS3R	RA04720780
▲ R910	/02B	4822 053 10221	220 Ω $\pm 5\%$ 1W	GA05221010
R***			P104-RESISTORS (COMMON) CARBON FILM FIXED RES., $\pm 5\%$ 1/6W: R102[02B],R103[02B], R201[U], R202,R206, R208- R210,R213-R216,R219,R301- R306[K/02B],R307-R310, R311[K/02B],R312[K/02B],R501 -R504,R506-R508,R510,R511, R513,R515-R517,R901-R905 [02B],R907-R909[02B], R911[02B],RA01,RA02, RA03[02B],RA04[02B],RA06- RA09[02B]	
			P104-SEMICONDUCTORS	
DA01		4822 125 50416	VARI, SVC342-L	HD40009030
DA02	/02B	4822 130 33697	DIODE, 1SS135	HD20017210
DA03	/02B	4822 125 50416	VARI, SVC342-L	HD40009030
DA04	/02B	4822 130 33697	DIODE, 1SS135	HD20017210
DA05		4822 130 32362	DIODE,1SS176,MA165,1SS254 30V 0.1A	HD20002000
DA06		4822 130 32362	DIODE,1SS176,MA165,1SS254 30V 0.1A	HD20002000
D201		4822 130 32362	DIODE,1SS176,MA165,1SS254 30V 0.1A	HD20002000
D202		4822 130 80318	ZENER DIODE, 6.8V MTZJ6.8C RD6.8ES-B2 04AZ6.8Z	HD30681000

(VERS.:VERSION, U:U.S.A., F:JAPAN, K:FAR EAST, *:EUROPE)

POS. NO	VERS. COLOR	PART NO. (FOR PCS)	DESCRIPTION	PART NO. (MJI)
D501		4822 130 80317	ZENER DIODE, 5.1V MTZJ5.1B RD5.1ES-B2 04AZ5.1Y	HD30511000
D901	/02B	4822 130 80317	ZENER DIODE, 5.1V MTZJ5.1B RD5.1ES-B2 04AZ5.1Y	HD30511000
QA01	/02B	4822 130 42298	TRS., C536SP,C2458,C3311,C1740S	HT30001000
QA02	/02B	4822 130 42298	TRS., C536SP,C2458,C3311,C1740S	HT30001000
QA03	/02B	4822 130 61892	TRS., 2SD2144S/U/V	HT421442A0
QA04	/02B	4822 130 42682	DIG.TRS., DTA144ES/UN4113 47K,47K	BA10002000
QA05	/02B	4822 130 42682	DIG.TRS., DTA144ES/UN4113 47K,47K	BA10002000
Q201		4822 209 90535	IC, LA1836 FM/AM IF,MPX	HC10342030
Q202		4822 130 62294	TRS., 2SC1809S P	HT318091P0
Q203		4822 130 61227	DIG.TRS., DTA114ES/UN4111 10K,10K	BA10001000
Q204		4822 130 42594	DIG.TRS., DTC144ES/UN4213 47K,47K	BA20002000
Q301	K/02B	4822 209 83631	IC, NJM4558D-D	HC10008090
Q501		4822 209 30178	IC, LC7218 PLL	HC10221030
Q502		4822 130 42121	F.E.T., 2SK30ATM Y1	HF200300B0
Q503		4822 130 42298	TRS., C536SP,C2458,C3311,C1740S	HT30001000
Q901	/02B	4822 209 32706	IC, LA2232 RDS DEMODULATOR	HC10315030
Q902	/02B	4822 209 33818	IC, LC7073 RDS ERROR CORRECTION	HC10333030
Q903	/02B	4822 130 42298	TRS., C536P,C2458,C3311,C1740S	HT30001000
			P104-MISCELLANEOUS	
A101	K,U	4822 210 10397	FM FRONT END FE337-A05	AV01202220
A101	/02B	4822 210 10492	FM FRONT END FE415-G11	AV01203020
F201	K/02B	4822 242 70665	CER.FILTER, SFE10.7MS3-A	FF11070620
F201	UBL	4822 242 70911	CER.FILTER, SFF10.7MA8-A	FF11070610
F202		4822 242 70665	CER.FILTER, SFE10.7MS3-A	FF11070620
J101	K/02B	4822 290 81632	TERMINAL, FM/AM ANT PAL	YT03030020
J101	UBL	4822 290 81537	TERMINAL, FM/AM ANT F	YT01030080
LA01		4822 157 63084	ANT COIL, MW 280UH	LA10295170
LA02		4822 157 70779	OSC. COIL, MW OSC C01L	LO70013010
LA03	/02B	4822 157 52714	ANT COIL, LW LA1267	LA10295160
LA04	/02B	4822 157 70781	OSC. COIL, LW OSC COIL	LO70013020
LA05		4822 157 53589	CHOKE COIL, 39MH $\pm 5\%$	LC23960710
LA06		4822 242 71509	CER.FILTER, SFL450J3	FF10045330
L201		4822 157 63904	I.F.T. COIL, FM DET M292BEAS-5968Z	LI70376010
L301		4822 157 71731	M.P.X. COIL, LPF-V10-A1 19.38KHZ	LS10293020
L302		4822 157 71731	M.P.X. COIL, LPF-V10-A1 19.38KHZ	LS10293020
L501				
I		4822 157 70813	CHOKE COIL, LAL02TA470J 47UH	LC14733800
L504				
S301	K	4822 277 21712	SLIDE SW., SLIDE SSSS92	SS02021470
X201		4822 242 81608	CER. VIB., CSB456F33	FQ04563040

(VERS.:VERSION, U:U.S.A., F:JAPAN, K:FAR EAST, *:EUROPE)

POS. NO	VERS. COLOR	PART NO. (FOR PCS)	DESCRIPTION	PART NO. (MJI)
X501		4822 242 72333	CRYSTAL, AD0618CTB 7.2MHZ	JX07001260
X901	/02B	4822 242 81608	CER. VIB., CSB456F33	FQ04563040
X902	/02B	4822 242 72527	CER. VIB., CST4.00MGW	FQ04004030
			P604-THX PRO-LOGDSP CIRCUIT BOARD	
			P604-CAPACITORS	
CR01		4822 126 11687	CER. CHIP, 0.1 μ F	DK98104200
CR02		4822 124 10772	ELECT. CHIP, 100 μ F/6.3V	EY10700620
CR03		4822 124 10772	ELECT. CHIP, 100 μ F/6.3V	EY10700620
CR04		4822 126 11687	CER. CHIP, 0.1 μ F	DK98104200
CR05		4822 126 11687	CER. CHIP, 0.1 μ F	DK98104200
CR06		4822 126 11687	CER. CHIP, 0.1 μ F	DK98104200
CR07		4822 124 10772	ELECT. CHIP, 100 μ F/6.3V	EY10700620
CR08		5322 126 11583	CER. CHIP, 0.01 μ F 50V	DK96103200
CR09		4822 124 11074	ELECT. CHIP, 10 μ F/16V	EY10601620
CR10		4822 124 11074	ELECT. CHIP, 10 μ F/16V	EY10601620
CR11		4822 122 33744	CER. CHIP, 100PF \pm 5% CG	DD95101300
CR12		4822 122 33744	CER. CHIP, 100PF \pm 5% CG	DD95101300
CR13		4822 126 11687	CER. CHIP, 0.1 μ F	DK98104200
CR14		4822 126 11687	CER. CHIP, 0.1 μ F	DK98104200
CR15		4822 126 11695	CER. CHIP, 330PF \pm 5% CG	DD95331300
CR16		4822 126 11695	CER. CHIP, 330PF \pm 5% CG	DD95331300
CR17		4822 122 33753	CER. CHIP, 150PF 50V	DD95151300
CR18		4822 122 33753	CER. CHIP, 150PF 50V	DD95151300
CR19		4822 126 11687	CER. CHIP, 0.1 μ F	DK98104200
CR20		4822 126 11687	CER. CHIP, 0.1 μ F	DK98104200
CR61		4822 126 11687	CER. CHIP, 0.1 μ F	DK98104200
CR62		4822 124 10772	ELECT. CHIP, 100 μ F/6.3V	EY10700620
CR63		4822 124 10772	ELECT. CHIP, 100 μ F/6.3V	EY10700620
CR64		4822 126 11687	CER. CHIP, 0.1 μ F	DK98104200
CR65		4822 126 11687	CER. CHIP, 0.1 μ F	DK98104200
CR66		4822 126 11687	CER. CHIP, 0.1 μ F	DK98104200
CR67		4822 124 10772	ELECT. CHIP, 100 μ F/6.3V	EY10700620
CR68		5322 126 11583	CER. CHIP, 0.01 μ F 50V	DK96103200
CR69		4822 124 11074	ELECT. CHIP, 10 μ F/16V	EY10601620
CR70		4822 124 11074	ELECT. CHIP, 10 μ F/16V	EY10601620
CR71		4822 122 33744	CER. CHIP, 100PF \pm 5% CG	DD95101300
CR72		4822 122 33744	CER. CHIP, 100PF \pm 5% CG	DD95101300
CR73		4822 126 11687	CER. CHIP, 0.1 μ F	DK98104200
CR74		4822 126 11687	CER. CHIP, 0.1 μ F	DK98104200
CR75		4822 126 11695	CER. CHIP, 330PF \pm 5% CG	DD95331300
CR76		4822 126 11695	CER. CHIP, 330PF \pm 5% CG	DD95331300
CR77		4822 122 33753	CER. CHIP, 150PF 50V	DD95151300
CR78		4822 122 33753	CER. CHIP, 150PF 50V	DD95151300
CR79		4822 126 11687	CER. CHIP, 0.1 μ F	DK98104200
CR80		4822 126 11687	CER. CHIP, 0.1 μ F	DK98104200
C601		4822 124 11074	ELECT. CHIP, 10 μ F/16V	EY10601620
C602		4822 124 11074	ELECT. CHIP, 10 μ F/16V	EY10601620
C603		4822 122 33753	CER. CHIP, 150PF 50V	DD95151300
C604		4822 122 33753	CER. CHIP, 150PF 50V	DD95151300
C605		4822 122 33753	CER. CHIP, 150PF 50V	DD95151300
C606		4822 122 33753	CER. CHIP, 150PF 50V	DD95151300
C607		4822 116 82487	CHIP, 0 Ω \pm 5% 1/16W	NN05000610
C608		4822 116 82487	CHIP, 0 Ω \pm 5% 1/16W	NN05000610
C609		4822 126 11687	CER. CHIP, 0.1 μ F	DK98104200
C610		4822 126 11687	CER. CHIP, 0.1 μ F	DK98104200
C611		4822 116 82487	CHIP, 0 Ω \pm 5% 1/16W	NN05000610
C612		4822 116 82487	CHIP, 0 Ω \pm 5% 1/16W	NN05000610
C617		4822 126 11687	CER. CHIP, 0.1 μ F	DK98104200
C618		4822 126 11687	CER. CHIP, 0.1 μ F	DK98104200

(VERS.:VERSION, U:U.S.A., F:JAPAN, K:FAR EAST, *:EUROPE)

POS. NO	VERS. COLOR	PART NO. (FOR PCS)	DESCRIPTION	PART NO. (MJI)
C619		4822 126 11695	CER. CHIP, 330PF \pm 5% CG	DD95331300
C620		4822 126 11695	CER. CHIP, 330PF \pm 5% CG	DD95331300
C625		4822 124 10772	ELECT. CHIP, 100 μ F/6.3V	EY10700620
C627		4822 126 11687	CER. CHIP, 0.1 μ F	DK98104200
C628		4822 124 10772	ELECT. CHIP, 100 μ F/6.3V	EY10700620
C629		4822 126 11687	CER. CHIP, 0.1 μ F	DK98104200
C630		4822 124 10772	ELECT. CHIP, 100 μ F/6.3V	EY10700620
C631		4822 126 11687	CER. CHIP, 0.1 μ F	DK98104200
C632		4822 126 11687	CER. CHIP, 0.1 μ F	DK98104200
C635		5322 126 11583	CER. CHIP, 0.01 μ F \pm 10%	DK96103200
C636		5322 126 11583	CER. CHIP, 0.01 μ F \pm 10%	DK96103200
C641		4822 126 11687	CER. CHIP, 0.1 μ F	DK98104200
C642		4822 126 11687	CER. CHIP, 0.1 μ F	DK98104200
C643		4822 124 11074	ELECT. CHIP, 10 μ F/16V	EY10601620
C644		4822 124 11074	ELECT. CHIP, 10 μ F/16V	EY10601620
C651		4822 126 11687	CER. CHIP, 0.1 μ F	DK98104200
C652		4822 124 10772	ELECT. CHIP, 100 μ F/6.3V	EY10700620
C653		4822 126 11687	CER. CHIP, 0.1 μ F	DK98104200
C654		4822 124 10772	ELECT. CHIP, 100 μ F/6.3V	EY10700620
C655		4822 122 33741	CER. CHIP, 10PF \pm 0.5PF	DD91100300
C656		4822 126 11663	CER. CHIP, 12PF \pm 5% CG	DD95120300
C657		4822 126 11687	CER. CHIP, 0.1 μ F	DK98104200
C658		4822 124 10772	ELECT. CHIP, 100 μ F/6.3V	EY10700620
C659		4822 126 11687	CER. CHIP, 0.1 μ F	DK98104200
C660		4822 124 10772	ELECT. CHIP, 100 μ F/6.3V	EY10700620
C676		4822 126 11687	CER. CHIP, 0.1 μ F	DK98104200
C677		4822 126 11687	CER. CHIP, 0.1 μ F	DK98104200
RR01		4822 051 30682	CHIP, 6.8K Ω \pm 5% 1/16W	NN05682610
RR02		4822 051 30682	CHIP, 6.8K Ω \pm 5% 1/16W	NN05682610
RR03		4822 051 30103	CHIP, 10K Ω \pm 5% 1/16W	NN05103610
RR04				
I		4822 051 30223	CHIP, 22K Ω \pm 5% 1/16W	NN05223610
RR10				
RR41		4822 051 30473	CHIP, 47K Ω 1/16W	NN05473610
RR42		4822 051 30473	CHIP, 47K Ω 1/16W	NN05473610
RR43		4822 051 30103	CHIP, 10K Ω \pm 5% 1/16W	NN05103610
RR44		4822 051 30103	CHIP, 10K Ω \pm 5% 1/16W	NN05103610
RR45		4822 051 30103	CHIP, 10K Ω 1/16W	NN05103610
RR46		4822 051 30103	CHIP, 10K Ω 1/16W	NN05103610
RR47				
I		4822 051 30223	CHIP, 22K Ω \pm 5% 1/16W	NN05223610
RR50				
RR71				
I		4822 116 82487	CHIP, 0 Ω 1/16W	NN05000610
RR76				
RR78		4822 116 82487	CHIP, 0 Ω 1/16W	NN05000610
RR79		4822 116 82487	CHIP, 0 Ω 1/16W	NN05000610
RR83		4822 116 82487	CHIP, 0 Ω 1/16W	NN05000610
RR84		4822 116 82487	CHIP, 0 Ω 1/16W	NN05000610
R601				
I		4822 051 30153	CHIP, 15K Ω \pm 5% 1/16W	NN05153610
R612				
R613		4822 051 30103	CHIP, 10K Ω \pm 5% 1/16W	NN05103610
R614		4822 051 30103	CHIP, 10K Ω \pm 5% 1/16W	NN05103610
R615		4822 051 30151	CHIP, 150 Ω \pm 5% 1/16W	NN05151610
R616		4822 051 30151	CHIP, 150 Ω \pm 5% 1/16W	NN05151610
R617		4822 051 30103	CHIP, 10K Ω \pm 5% 1/16W	NN05103610
R618		4822 051 30103	CHIP, 10K Ω \pm 5% 1/16W	NN05103610
R619		4822 051 30151	CHIP, 150 Ω \pm 5% 1/16W	NN05151610
R620		4822 051 30151	CHIP, 150 Ω \pm 5% 1/16W	NN05151610
			P604-RESISTORS	

POS. NO	VERS. COLOR	PART NO. (FOR PCS)	DESCRIPTION	PART NO. (MJI)
R621		4822 051 30103	CHIP, 10KΩ ±5% 1/16W	NN05103610
R622		4822 116 82487	CHIP, 0Ω 1/16W	NN05000610
R661		4822 051 30222	CHIP, 2.2KΩ ±5% 1/16W	NN05222610
R662		4822 051 30222	CHIP, 2.2KΩ ±5% 1/16W	NN05222610
R671		4822 051 30472	CHIP, 4.7KΩ ±5% 1/16W	NN05472610
R672		4822 051 30472	CHIP, 4.7KΩ ±5% 1/16W	NN05472610
R673		4822 051 30472	CHIP, 4.7KΩ ±5% 1/16W	NN05472610
R674		4822 051 30472	CHIP, 4.7KΩ ±5% 1/16W	NN05472610
R698		4822 116 82487	CHIP, 0Ω 1/16W	NN05000610
R699		4822 116 82487	CHIP, 0Ω 1/16W	NN05000610
L607			CHIP, 0Ω 1/8W	RI05000180
P604-SEMICONDUCTORS				
Q601		4822 209 14613	IC, LC83016JE	HC10359030
Q603		4822 209 91009	IC, LC32464PM-80 64K X 4BIT DRAM	HC10338030
Q605		4822 209 14614	IC, AK4320(DAC)	HC10015480
Q607		4822 209 14614	IC, AK4320(DAC)	HC10015480
Q609		4822 209 14615	IC, NJM2115M	HC10172090
Q610		4822 209 14615	IC, NJM2115M	HC10172090
Q611		4822 209 14615	IC, NJM2115M	HC10172090
Q612		4822 209 14615	IC, NJM2115M	HC10172090
Q613		4822 209 71451	IC, NJM4558M(Y)	HC10011090
Q614		4822 209 71451	IC, NJM4558M(Y)	HC10011090
Q617		4822 209 71451	IC, NJM4558M(Y)	HC10011090
Q618		4822 209 71451	IC, NJM4558M(Y)	HC10011090
Q623		4822 130 60146	DIG. TRS., DTC-144EK	BA20004210
Q671		4822 209 14616	IC, AK5340(ADC)	HC10017480
P604-MISCELLANEOUS				
L601		4822 157 70322	EMI FILTER, NFM61R10T102 1000PF +80%, -20%	FM32102010
L602		4822 157 10884	EMI FILTER BLM11A221S	FN31000010
L603		4822 157 10884	EMI FILTER BLM11A221S	FN31000010
L606		4822 116 82487	CHIP, 0Ω 1/16W	NN05000610
X671		4822 242 81793	OTHER VIBRATORS, CS20(22.5792HZ) CL10P	FZ02255030
P704-MAIN AMP CIRCUIT BOARD				
P704-CAPACITORS				
CN04	KBL	4822 124 21982	ELECT., 3.3μF 50V	EJ33505010
CN04	KGL	4822 124 21982	ELECT., 3.3μF 50V	EJ33505010
CN04	/02B	4822 124 21982	ELECT., 3.3μF 50V	EJ33505010
CN04	UBL	4822 124 40786	ELECT., 2.2μF 50V	EJ22505010
CN05		4822 122 40617	CER., 50V 0.1μF +80 -20%	DD38104010
CN06		4822 124 23056	ELECT., 47 μF/16V	EJ47601610
CN07		4822 124 23056	ELECT., 47 μF/16V	EJ47601610
CN08		4822 124 23053	ELECT., 1 μF/50V	EJ10505010
CN09		4822 126 10935	ELECT., 100 μF/10V	EJ10701010
CN10		4822 122 40617	CER., 0.1 μF +80% -20% 50V	DD38104010
CN12		4822 122 40617	CER., 0.1 μF +80% -20% 50V	DD38104010
CN15	SR770 /02B	4822 122 30043	CER., 0.01 μF +80% -20% 50V	DK18103310
CN16	SR770 /02B	4822 122 30043	CER., 0.01 μF +80% -20% 50V	DK18103310
C701		4822 124 22275	ELECT., 47 μF ±20% 10V	OA47601020
C702		4822 124 22275	ELECT., 47 μF ±20% 10V	OA47601020
C703	K,U	4822 122 31349	CER., 68PF ±5% CH 50V	DD15680300
C704	K,U	4822 122 31349	CER., 68PF ±5% CH 50V	DD15680300

POS. NO	VERS. COLOR	PART NO. (FOR PCS)	DESCRIPTION	PART NO. (MJI)
C711		4822 124 23562	ELECT., 10 μF ±20% 100V	OA10610020
C712		4822 124 23562	ELECT., 10 μF ±20% 100V	OA10610020
C715		4822 122 31205	CER., 47PF ±5% CH 50V	DD15470300
C716		4822 122 31205	CER., 47PF ±5% CH 50V	DD15470300
C719				
		4822 124 40751	ELECT., 470 μF ±20% 63V	OA47706320
C722				
C723				
		4822 124 90351	ELECT., 0.1 μF ±20% 50V	OA10405020
C726				
C751		4822 124 22275	ELECT., 47 μF ±20% 10V	OA47601020
C752	K,U	4822 122 31349	CER., 68PF ±5% CH 50V	DD15680300
C756		4822 124 23562	ELECT., 10 μF ±20% 100V	OA10610020
C758		4822 122 31205	CER., 47PF ±5% CH 50V	DD15470300
C760		4822 124 40751	ELECT., 470 μF ±20% 63V	OA47706320
C761		4822 124 40751	ELECT., 470 μF ±20% 63V	OA47706320
C762		4822 124 41604	ELECT., 0.1 μF/50V	EJ10405010
C763		4822 124 41604	ELECT., 0.1 μF/50V	EJ10405010
C801		4822 126 12453	CER., 0.01 μF +80% -20% E 500V	DK18103560
▲ C802	SR870	4822 124 11828	ELECT., 18000 μF 71V	EB18907110
▲ C802	SR770		ELECT., 8200 μF 63V	EB82806370
▲ C803	SR870	4822 124 11828	ELECT., 18000 μF 71V	EB18907110
▲ C803	SR770		ELECT., 8200 μF 63V	EB82806370
C804		4822 126 12453	CER., 0.01 μF +80% -20% E 500V	DK18103560
▲ C805	SR870	4822 124 80646	ELECT., 8200 μF ±20% 56V	EB82805650
▲ C805	SR770	4822 126 12866	ELECT., 4700 μF ±20% 50V	EB47805040
▲ C806	SR870	4822 124 80646	ELECT., 8200 μF ±20% 56V	EB82805650
▲ C806	SR770	4822 126 12866	ELECT., 4700 μF ±20% 50V	EB47805040
C807		4822 122 30043	CER., 0.01 μF +80% -20% 50V	DK18103310
C808		4822 122 30043	CER., 0.01 μF +80% -20% 50V	DK18103310
C811		4822 122 30043	CER., 0.01 μF +80% -20% 50V	DK18103310
C812		4822 122 30043	CER., 0.01 μF +80% -20% 50V	DK18103310
C815		4822 122 30043	CER., 0.01 μF +80% -20% 50V	DK18103310
C816		4822 122 30043	CER., 0.01 μF +80% -20% 50V	DK18103310
C820		4822 122 40586	CER., 10000PF	DA17103110
C824		4822 122 30043	CER., 0.01 μF +80% -20% 50V	DK18103310
C899	SR870 /02B	4822 122 30043	CER., 0.01 μF +80% -20% 50V	DK18103310
C***			P704-CAPACITORS (COMMON) ELECTROLYTIC CAP. TYPE, TOLERANCE ±20%: C707, C710, C754, C759, C809, C810, C813, C814, C817, C818, C821-C823, C825-C829, CN03	
C**			HIGH DIELECTRIC CONSTANT CERAMIC CAP. ±10% 50V: CN13, CN14[SR770/02B] C703[02B], C704 [02B], C705, C706, C713, C714, C752[02B], C753, C757	
▲ RN01	SR870	4822 052 10122	1.2KΩ ±5% 1/6W	GG05122160
▲ RN01	SR770	4822 052 10471	470Ω ±5% 1/6W	GG05471160
▲ RN02	SR870	4822 052 10122	1.2KΩ ±5% 1/6W	GG05122160
▲ RN02	SR770	4822 052 10471	470Ω ±5% 1/6W	GG05471160

(VERS.:VERSION, U:U.S.A., F:JAPAN, K:FAR EAST, **:EUROPE)

POS. NO	VERS. COLOR	PART NO. (FOR PCS)	DESCRIPTION	PART NO. (MJI)
RN20		4822 050 22262	2.2K Ω \pm 5% 1/4W	GG05222140
RN27		4822 053 10561	560 Ω \pm 5% 1W	GA05561010
RN28		4822 053 10561	560 Ω \pm 5% 1W	GA05561010
▲ RN35		4822 052 10109	10 Ω \pm 5% 1/6W	GG05100160
▲ RN43				
I		4822 052 10101	100 Ω \pm 5% 1/6W	GG05101160
▲ RN46				
▲ RN51	SR870	4822 052 10122	1.2K Ω \pm 5% 1/6W	GG05122160
▲ RN51	SR770	4822 052 10471	470 Ω \pm 5% 1/6W	GG05471160
▲ RN57		4822 052 10101	100 Ω \pm 5% 1/6W	GG05101160
▲ RN58		4822 052 10101	100 Ω \pm 5% 1/6W	GG05101160
RN63		4822 101 11664	TRIM, 100 Ω	RA01010780
RN64		4822 101 11664	TRIM, 100 Ω	RA01010780
RN70		4822 101 11664	TRIM, 100 Ω	RA01010780
▲ R707	SR770		1.5K Ω \pm 5% 1/6W	GG05152160
▲ R708	SR770		1.5K Ω \pm 5% 1/6W	GG05152160
▲ R721	SR770	4822 052 10561	560 Ω \pm 5% 1/6W	GG05561160
▲ R722	SR770	4822 052 10561	560 Ω \pm 5% 1/6W	GG05561160
▲ R723	SR870	4822 052 10561	560 Ω \pm 5% 1/6W	GG05561160
▲ R724	SR870	4822 052 10561	560 Ω \pm 5% 1/6W	GG05561160
▲ R725		4822 052 10561	560 Ω \pm 5% 1/6W	GG05561160
▲ R726		4822 052 10561	560 Ω \pm 5% 1/6W	GG05561160
▲ R729	SR870	4822 052 10561	560 Ω \pm 5% 1/6W	GG05561160
▲ R730	SR870	4822 052 10561	560 Ω \pm 5% 1/6W	GG05561160
▲ R731		4822 052 10561	560 Ω \pm 5% 1/6W	GG05561160
▲ R732		4822 052 10561	560 Ω \pm 5% 1/6W	GG05561160
▲ R737				
I		4822 052 10569	56 Ω \pm 5% 1/6W	GG05560160
▲ R740				
R743		4822 100 20681	TRIM, 2.2K Ω RH0638CJ3R	RA02220780
R744		4822 100 20681	TRIM, 2.2K Ω RH0638CJ3R	RA02220780
▲ R749				
I		4822 052 10228	2.2 Ω \pm 5% 1/6W	GG05022160
▲ R752				
▲ R753		4822 050 21801	180 Ω \pm 5% 1/4W	GG05181140
▲ R753	SR770	4822 050 10151	150 Ω \pm 5% 1/6W	GG05151160
▲ R754	K/02B			
▲ R754	SR770	4822 050 21801	180 Ω \pm 5% 1/4W	GG05181140
▲ R754	K/02B	4822 050 10151	150 Ω \pm 5% 1/6W	GG05151160
▲ R755				
I		4822 052 10109	10 Ω \pm 5% 1/4W	GG05100140
▲ R758				
▲ R759		4822 113 80612	0.18 Ω \pm 10% 5W X2 RGC55	BZ10182020
▲ R760		4822 113 80612	0.18 Ω \pm 10% 5W X2 RGC55	BZ10182020
R761		4822 052 10109	10 Ω \pm 5% 1/6W	GG05100160
R762		4822 052 10109	10 Ω \pm 5% 1/6W	GG05100160
R763		4822 053 10109	10 Ω \pm 5% 1W	GA05100010
R764		4822 053 10109	10 Ω \pm 5% 1W	GA05100010
▲ R768	SR770		1.5K Ω \pm 5% 1/6W	GG05152160
▲ R775	SR770	4822 052 10561	560 Ω \pm 5% 1/6W	GG05561160
▲ R776	SR870	4822 052 10561	560 Ω \pm 5% 1/6W	GG05561160
▲ R777		4822 052 10561	560 Ω \pm 5% 1/6W	GG05561160
▲ R779	SR870	4822 052 10561	560 Ω \pm 5% 1/6W	GG05561160
▲ R779	SR770	4822 052 10561	560 Ω \pm 5% 1/6W	GG05561160
▲ R780	K/02B			
▲ R780		4822 052 10561	560 Ω \pm 5% 1/6W	GG05561160
▲ R783		4822 052 10569	56 Ω \pm 5% 1/6W	GG05560160
▲ R784		4822 052 10569	56 Ω \pm 5% 1/6W	GG05560160
R786		4822 100 20681	TRIM, 2.2K Ω RH0638CJ3R	RA02220780
▲ R789		4822 052 10228	2.2 Ω \pm 5% 1/6W	GG05022160

(VERS.:VERSION, U:U.S.A., F:JAPAN, K:FAR EAST, **:EUROPE)

POS. NO	VERS. COLOR	PART NO. (FOR PCS)	DESCRIPTION	PART NO. (MJI)
▲ R790		4822 052 10228	2.2 Ω \pm 5% 1/6W	GG05022160
▲ R791		4822 050 21801	180 Ω \pm 5% 1/4W	GG05181140
▲ R791	SR770	4822 050 10151	150 Ω \pm 5% 1/6W	GG05151160
▲ R792	K/02B			
▲ R792		4822 052 10109	10 Ω \pm 5% 1/4W	GG05100140
▲ R793		4822 052 10109	10 Ω \pm 5% 1/4W	GG05100140
▲ R794		4822 113 80612	0.18 Ω \pm 10% 5W X2 RGC55	BZ10182020
R795		4822 052 10109	10 Ω \pm 5% 1/6W	GG05100160
R796		4822 053 10109	10 Ω \pm 5% 1W	GA05100010
▲ R801				
I	UBL	4822 117 10158	1 Ω \pm 5% 1/4W	GG05010140
▲ R804				
▲ U700	K/02B	4822 117 10158	1 Ω \pm 5% 1/4W	GG05010140
▲ U701	K/02B	4822 117 10158	1 Ω \pm 5% 1/4W	GG05010140
▲ U702	K/02B	4822 117 10158	1 Ω \pm 5% 1/4W	GG05010140
▲ U703	K/02B	4822 117 10158	1 Ω \pm 5% 1/4W	GG05010140
R***			P704-RESISTORS (COMMON) CARBON FILM FIXED RES., \pm 5% 1/6W:R701,-R722,R727, R728,R733,R734,R741,R742, R745-R748,R765-R778,R781, R785,R785,R787,R788, R797-R799,RN03-RN08, RN10-RN16,RN21-RN26, RN30-RN33,RN36,RN41,RN42, RN52-RN56,RN61,RN62	
DN01			P704-SEMICONDUCTORS	
I		4822 130 82421	DIODE, 1D3 1A/200V	HD20002710
DN04				
DN07		4822 130 80837	DIODE, HSS81TD 150V 150MA	HD20027010
DN08		4822 130 80837	DIODE, HSS81TD 150V 150MA	HD20027010
DN09		4822 130 82421	DIODE, 1D3 1A/200V	HD20002710
DN51		4822 130 82421	DIODE, 1D3 1A/200V	HD20002710
DN52		4822 130 80837	DIODE, HSS81TD 150V 150MA	HD20027010
D701				
I		4822 130 32362	DIODE, 1SS176,MA165,1SS254 30V 0.1A	HD20002000
D704				
D705		4822 130 80837	DIODE, HSS81TD 150V 150MA	HD20027010
D706		4822 130 80837	DIODE, HSS81TD 150V 150MA	HD20027010
D707		4822 130 80837	DIODE, HSS81TD 150V 150MA	HD20027010
D708		4822 130 80837	DIODE, HSS81TD 150V 150MA	HD20027010
D709				
I		4822 130 31554	ZENER DIODE, 4.3V MTZJ4.3B RD4.3ES-B2 04AZ4.3Y	HD30431000
D712				
D751		4822 130 32362	DIODE, 1SS176,MA165,1SS254 30V 0.1A	HD20002000
D752		4822 130 32362	DIODE, 1SS176,MA165,1SS254 30V 0.1A	HD20002000
D753		4822 130 80837	DIODE, HSS81TD 150V 150MA	HD20027010
D754		4822 130 80837	DIODE, HSS81TD 150V 150MA	HD20027010
D755		4822 130 31554	ZENER DIODE, 4.3V MTZJ4.3B RD4.3ES-B2 04AZ4.3Y	HD30431000
D756		4822 130 31554	ZENER DIODE, 4.3V MTZJ4.3B RD4.3ES-B2 04AZ4.3Y	HD30431000
▲ D801		4822 130 33133	DIODE, D5FB20 200V 5A W/FIN	HE20012290

(VERS.:VERSION, U:U.S.A., F:JAPAN, K:FAR EAST, *:EUROPE)

(VERS.:VERSION, U:U.S.A., F:JAPAN, K:FAR EAST, *:EUROPE)

POS. NO	VERS. COLOR	PART NO. (FOR PCS)	DESCRIPTION	PART NO. (MJI)	POS. NO	VERS. COLOR	PART NO. (FOR PCS)	DESCRIPTION	PART NO. (MJI)
▲ D802		4822 130 31007	DIODE, S4VB20	HE20015290	▲ Q724	SR870	4822 130 63119	TRS., 2SA1302 R OR O	HT113022A0
▲ D803		4822 130 33057	DIODE, S2VB20	HE20011290				200V 15A 150W	
▲ D804		4822 130 33057	DIODE, S2VB20	HE20011290	▲ Q724	SR770	4822 130 43019	TRS., 2SA12656 R OR O	HT112652A0
D805		4822 130 82421	DIODE, 1D3 1A/200V	HD20002710					
D806		4822 130 82421	DIODE, 1D3 1A/200V	HD20002710	Q751		4822 130 42949	TRS., 2SA970 (GR) OR0 (BL)	HT109702A0
D807		4822 130 82421	DIODE, 1D3 1A/200V	HD20002710	Q752		4822 130 42949	TRS., 2SA970 (GR) OR (BL)	HT109702A0
D808		4822 130 82421	DIODE, 1D3 1A/200V	HD20002710	Q753		4822 130 42949	TRS., 2SA970 (GR) OR (BL)	HT109702A0
D809		4822 130 82421	DIODE, 1D3 1A/200V	HD20002710	Q754	SR870	4822 130 43283	TRS., 2SC2705 O OR Y	HT327052A0
					Q754	SR770	4822 130 43233	TRS., 2SC2240 GR OR BL	HT322402A0
QN01		4822 130 43233	TRS., 2SC2240 GR OR BL	HT322402A0	Q755	SR870	4822 130 43283	TRS., 2SC2705 O OR Y	HT327052A0
QN02		4822 130 43233	TRS., 2SC2240 GR OR BL	HT322402A0	Q755	SR770	4822 130 43233	TRS., 2SC2240 GR OR BL	HT322402A0
QN03		4822 130 42949	TRS., 2SA970 (GR) OR (BL)	HT109702A0	▲ Q756	SR870	5322 130 61728	TRS., 2SA1360 O OR Y	HT113602A0
QN04		4822 209 83312	IC, TA7317P	HC10042050	▲ Q756	SR770	5322 130 42999	TRS., 2SA1145 O OR Y	HT111452A0
QN07		4822 130 42715	TRS., A608SP,A1048,A1309,A933S	HT10001000	▲ Q757	SR870	5322 130 61737	TRS., 2SC3423 O OR Y	HT334232A0
QN08		4822 130 60696	TRS., 2SC1627 O, Y 80V 300MA 600MW TO	HT316272B0	▲ Q757	SR770	5322 130 43283	TRS., 2SC2705 O OR Y	HT327052A0
QN51		4822 130 43233	TRS., 2SC2240 GR OR BL	HT322402A0	▲ Q758		4822 130 60117	TRS., C3419Y 40V 0.8A PC=1.2W(5W)	HT334191Y0
Q701		4822 130 42949	TRS., 2SA970 (GR) OR (BL)	HT109702A0	▲ Q759	SR870	4822 130 63312	TRS., 2SC4883 O OR Y	HT348832A0
Q702		4822 130 42949	TRS., 2SA970 (GR) OR (BL)	HT109702A0	▲ Q759	SR770	4822 130 62335	TRS., 2SD2033 E	HT420331E0
Q703		4822 130 42949	TRS., 2SA970 (GR) OR (BL)	HT109702A0	▲ Q760	SR870	4822 130 63308	TRS., 2SA1859 O OR Y	HT118592A0
Q704		4822 130 42949	TRS., 2SA970 (GR) OR (BL)	HT109702A0	▲ Q760	SR770		TRS., 2SB1353 E	HT213531E0
Q705		4822 130 42949	TRS., 2SA970 (GR) OR (BL)	HT109702A0	▲ Q761	SR870	4822 130 63121	TRS., 2SC3281 R OR O 200V 15A 150W	HT332812A0
Q706		4822 130 42949	TRS., 2SA970 (GR) OR (BL)	HT109702A0	▲ Q761	SR770	4822 130 43306	TRS., 2SC3182 R OR O	HT331822A0
Q707	SR870	4822 130 43283	TRS., 2SC2705 O OR Y	HT327052A0	▲ Q762	SR870	4822 130 63119	TRS., 2SA1302 R OR O 200V 15A 150W	HT113022A0
Q707	SR770	4822 130 43233	TRS., 2SC2240 GR OR BL	HT322402A0	▲ Q762	SR770	4822 130 43019	TRS., 2SA12656 R OR O	HT112652A0
Q708	SR870	4822 130 43283	TRS., 2SC2705 O OR Y	HT327052A0					
Q708	SR770	4822 130 43233	TRS., 2SC2240 GR OR BL	HT322402A0	▲ Q801		4822 209 83317	IC, NJM7815FA +15V 1A	HC38915090
Q709	SR870	4822 130 43283	TRS., 2SC2705 O OR Y	HT327052A0	▲ Q802		4822 209 31864	IC, NJM7915FA -15V 1A	HC39915090
Q709	SR770	4822 130 43233	TRS., 2SC2240 GR OR BL	HT322402A0	▲ Q803		4822 209 31631	IC, NJM7805FA +5V 1A	HC38905090
					▲ Q804		4822 209 63179	IC, NJM7905FA -5V 1A	HC39905090
					▲ Q805		4822 209 31631	IC, NJM7805FA +5V 1A	HC38905090
Q710	SR870	4822 130 43283	TRS., 2SC2705 O OR Y	HT327052A0					
Q710	SR770	4822 130 43233	TRS., 2SC2240 GR OR BL	HT322402A0					
▲ Q711	SR870	5322 130 61728	TRS., 2SA1360 O OR Y	HT113602A0					
▲ Q711	SR770	5322 130 42999	TRS., 2SA1145 O OR Y	HT111452A0	▲ F802	SR870 K/02B	4822 253 30358	FUSE, 5A 250V BS LISTED	FS10500850
▲ Q712	SR870	5322 130 61728	TRS., 2SA1360 O OR Y	HT113602A0	▲ F802	SR770 K/02B	4822 253 30387	FUSE, T4A 250V BS LISTED	FS10400850
▲ Q712	SR770	5322 130 42999	TRS., 2SA1145 O OR Y	HT111452A0	▲ F802	SR870 U		FUSE, 6.3A 125V FTB	FS10630350
▲ Q713	SR870	5322 130 61737	TRS., 2SC3423 O OR Y	HT334232A0	▲ F802	SR770 U		FUSE, 5A 125V FTB	FS10500350
▲ Q713	SR770	5322 130 43283	TRS., 2SC2705 O OR Y	HT327052A0	▲ F802	SR870 U	4822 253 30358	FUSE, 5A 250V BS LISTED	FS10500850
▲ Q714	SR870	5322 130 61737	TRS., 2SC3423 O OR Y	HT334232A0	▲ F803	SR770 K/02B	4822 253 30387	FUSE, T4A 250V BS LISTED	FS10400850
▲ Q714	SR770	5322 130 43283	TRS., 2SC2705 O OR Y	HT327052A0	▲ F803	SR870 U		FUSE, 6.3A 125V FTB	FS10630350
▲ Q715		4822 130 60117	TRS., C3419Y 40V 0.8A PC=1.2W(5W)	HT334191Y0	▲ F803	SR770 U		FUSE, 5A 125V FTB	FS10500350
▲ Q716		4822 130 60117	TRS., C3419Y 40V 0.8A PC=1.2W(5W)	HT334191Y0	▲ F804	SR770 U		FUSE, T2A 250V TR-5	FS20200210
▲ Q717	SR870	4822 130 63312	TRS., 2SC4883 O OR Y	HT348832A0	▲ F805	SR770 U		FUSE, T2A 250V TR-5	FS20200210
▲ Q717	SR770	4822 130 62335	TRS., 2SD2033 E	HT420331E0					
▲ Q718	SR870	4822 130 63312	TRS., 2SC4883 O OR Y	HT348832A0	J806			JACK, CLIP FOR 20MM FUSE	YJ08000590
▲ Q718	SR770	4822 130 62335	TRS., 2SD2033 E	HT420331E0	J807			JACK, CLIP FOR 20MM FUSE	YJ08000580
▲ Q719	SR870	4822 130 63308	TRS., 2SA1859 O OR Y	HT118592A0	J808			JACK, CLIP FOR 20MM FUSE	YJ08000590
▲ Q719	SR770		TRS., 2SB1353 E	HT213531E0	J809			JACK, CLIP FOR 20MM FUSE	YJ08000580
▲ Q720	SR870	4822 130 63308	TRS., 2SA1859 O OR Y	HT118592A0					
▲ Q720	SR770		TRS., 2SB1353 E	HT213531E0	LN01		4822 280 10305	RELAY, VB-18MBU-565-UL3	LY20180020
▲ Q721	SR870	4822 130 63121	TRS., 2SC3281 R OR O 200V 15A 150W	HT332812A0	LN02		4822 280 10305	RELAY, VB-18MBU-565-UL3	LY20180020
▲ Q721	SR770	4822 130 43306	TRS., 2SC3182 R OR O	HT331822A0	▲ LN03		4822 280 20501	RELAY, MR62-24SR 24V	LY20240410
▲ Q722	SR870	4822 130 63121	TRS., 2SC3281 R OR O 200V 15A 150W	HT332812A0	▲ LN51		4822 280 10305	RELAY, VB-18MBU-565-UL3	LY20180020
▲ Q721	SR770	4822 130 43306	TRS., 2SC3182 R OR O	HT331822A0					
▲ Q723	SR870	4822 130 63119	TRS., 2SA1302 R OR O 200V 15A 150W	HT113022A0					
▲ Q723	SR770	4822 130 43019	TRS., 2SA12656 R OR O	HT112652A0					

(VERS.:VERSION, U:U.S.A., F:JAPAN, K:FAR EAST, **:EUROPE)

POS. NO	VERS. COLOR	PART NO. (FOR PCS)	DESCRIPTION	PART NO. (MJI)
L701		4822 157 70022	AIR COIL, SPK CHOCK	ML08010030
L702		4822 157 70022	AIR COIL, SPK CHOCK	ML08010030
L751		4822 157 70022	AIR COIL, SPK CHOCK	ML08010030
			P754-SPK TERMINAL CIRCUIT BOARD P754-CAPACITORS	
C727 I	/02B	4822 122 30043	CER., 0.01 μ F +80% -20% 50V	DK18103310
C730				
C731	/02B	4822 122 30103	CER., 0.022 μ F +80% -20%	DK18223310
C732	/02B	4822 122 30103	CER., 0.022 μ F +80% -20%	DK18223310
C733	/02B	4822 122 30043	CER., 0.01 μ F +80% -20% 50V	DK18103310
C734	/02B	4822 122 30043	CER., 0.01 μ F +80% -20% 50V	DK18103310
C764	/02B	4822 122 30043	CER., 0.01 μ F +80% -20% 50V	DK18103310
C765	/02B	4822 122 30043	CER., 0.01 μ F +80% -20% 50V	DK18103310
			P754-MISCELLANEOUS	
J704		4822 290 61179	TERMINAL, LTS0810-1002 SPK-TERMINAL 8P	YT01080120
J751		4822 290 61219	TERMINAL, LTS0210-1002 SPK-TERMINAL 2P	YT01020220
014K		4822 417 20168	BUSHING, SPK BUSH	306V259030