

D&M
D&M Holdings Inc.
100 Corporate Drive Mahwah, NJ 07430

marantz[®]

Service Bulletin

No. : MZ07-060

Date: May 21, 2007

Model: SR4001, SR5001 SR7001, SR8001

Subject: A component configuration change: TUNER MODULE and FM ANTENNA only for the US version.

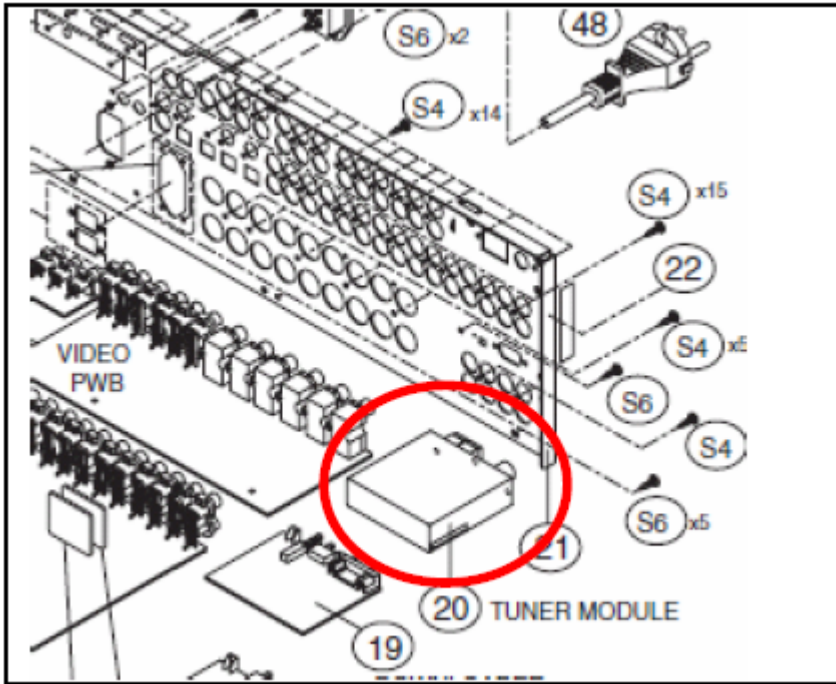
Symptom: The configuration of the FM Antenna Terminal was changed from the APL/F common connector to the F Connector.

Solution: 1. Change of TUNER MODULE
POS.NO. 20 SR4001, SR5001
POS.NO. 60 SR7001, SR8001

CONFIDENTIALITY NOTICE:

The information contained in this document is intended for the exclusive use by MARANTZ Authorized Service Centers and their employees. This document may contain information that is privileged, confidential and may be protected from disclosure under applicable laws and terms of the MARANTZ Service Agreement. Any distribution, disclosure, dissemination or copying of this document and the information it contains is prohibited. No responsibility will be accepted by MARANTZ for any damage, injury or loss resulting from the misuse of the information contained in this document.

2. Change of accessory FM Antenna



OLD: TUNER MODULE
PART NO. 90M-AV000410R



OLD: FM ANTENNA
PART NO. 90M-ZA000210R



NEW: TUNER MODULE
PART NO. 90M-AV000570R



NEW: FM ANTENNA
PART NO. 90M-ZA000290R



CONFIDENTIALITY NOTICE:

The information contained in this document is intended for the exclusive use by MARANTZ Authorized Service Centers and their employees. This document may contain information that is privileged, confidential and may be protected from disclosure under applicable laws and terms of the MARANTZ Service Agreement. Any distribution, disclosure, dissemination or copying of this document and the information it contains is prohibited. No responsibility will be accepted by MARANTZ for any damage, injury or loss resulting from the misuse of the information contained in this document.

Parts:

[NECESSARY PARTS]

| OLD NEW | POS. NO. | VERS. COLOR | PART NO. (FOR EUR) | PART NO. (MZ) | PART NAME | DESCRIPTION |
|------------|----------------------|--|-----------------------|------------------|-----------|--|
| OLD | 20 20 60 60 | SR4001/U1B SR5001/U1B SR7001/U1B SR8001/U1B | nsp | 90M-AV000410R | TUNER | TUNER MODULE (USA) Factory code no. CNVMB014MA08L |
| NEW | 20 20 60 60 | SR4001/U1B SR5001/U1B SR7001/U1B SR8001/U1B | nsp | 90M-AV000570R | TUNER | TUNER MODULE (USA) Factory code no. CNVMB014MA08LS |
| OLD | - | - | nsp | 90M-ZA000210R | ANTENNA | ANT FM WIRE (PIGTAIL) Factory code no. CSA1A007 |
| NEW | - | /U1B | nsp | 90M-ZA000290R | ANTENNA | FM 1 POL ANT (UL) Factory code no. CSA1A033Z |

Serial Number Range:

This component configuration change has been already implemented on the following serial numbers:

SR4001: MZ0107XX010801~
 SR5001: MZ0107XX015221~
 SR7001: MZ040716006501~
 SR8001: MZ040717002802~

CONFIDENTIALITY NOTICE:

The information contained in this document is intended for the exclusive use by MARANTZ Authorized Service Centers and their employees. This document may contain information that is privileged, confidential and may be protected from disclosure under applicable laws and terms of the MARANTZ Service Agreement. Any distribution, disclosure, dissemination or copying of this document and the information it contains is prohibited. No responsibility will be accepted by MARANTZ for any damage, injury or loss resulting from the misuse of the information contained in this document.