

# ADDENDUM SHEET

## REMOTE CONTROLLER CHANGE

The remote control RC8001SR has been upgraded to RC3001. Changes in the instruction manual are mentioned as follows.

## ACCESSORIES CHECK

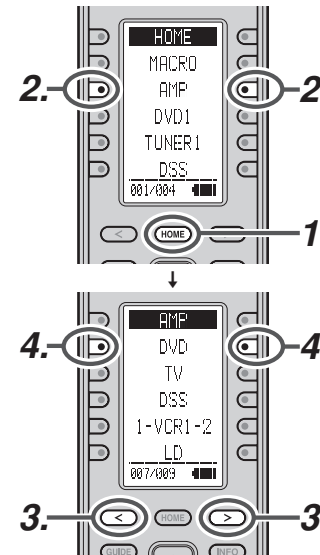
Before use, check the below accessories were included in the package.

- Remote Controller RC3001
- RF Extender RX3001
- Rechargeable battery pack
- Multi Voltage AC adapter x2 (RC3001 (Charging) and RX3001)
- IR Emitter cable (3m (10ft)) x5
- 3.5mm Mono plug cable (3m (10ft))
- USB cable
- User Guide (RC3001)
- User Guide (RC3001 Wizzit3)
- Remote Controller RC101 for Multi Room
- AAA-size batteries x2
- Microphone
- AM Loop Antenna
- FM Antenna
- AC power cable
- Front AUX Jack Cover
- User Guide (SR7002/SR8002)

## SELECTING AN INPUT SOURCE

Before you can listen to any input media, you must first select the input source on the unit.

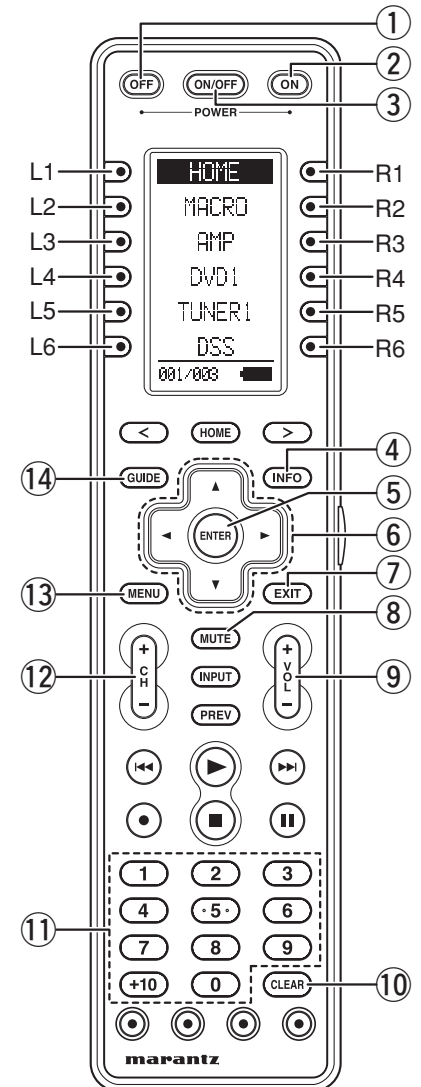
### EXAMPLE : DVD



1. Press the **HOME** button.
2. Press the **AMP** button.
3. Press the **< / >** button until 007 is displayed.
4. Press the **DVD** button.

## GENERAL INFORMATION OF RC3001 TO THE UNIT

To control the unit by your RC3001, you have to select the device AMP or TUNER by pressing the function selector button. Please refer below for the details in AMP and TUNER mode.



Below are corresponding tables for RC8001SR and RC3001 function names.  
Function names of RC8001SR (left) are replaced by those of RC3001 (right).

### RC8001SR AMP MODE

NAME	FUNCTION
SOURCE ON/OFF	Turns the SR7002/SR8002 on and off
POWER ON	Turns the SR7002/SR8002 on
POWER OFF	Turns the SR7002/SR8002 off
VOL +/-	Adjust the over all sound level
MUTE	Decreases the sound temporarily
Cursor	Move the cursor for setting in SETUP MENU mode
OK	Enter the SETUP MENU Confirms the setting in SETUP MENU mode
MENU	Enter the SETUP MENU
EXIT	Exits from SETUP MENU
LIP.SYNC	Selects the LIP. SYNC mode
TEST	Enter the test tone menu
CH-SEL	Call up SETUP MENU and adjusts speaker levels or 7.1ch input setup
SURR	Selects the surround mode
7.1CH	Selects the 7.1CH IN
ATT	Reduces the input level
SPK-AB	Selects the speaker system
DISP	Changes the front display mode
OSD	Displays the current setting on the monitor
SLEEP	Sets the sleep timer function
THX	Selects the THX mode
AUTO	Selects AUTO SURROUND
DD	Selects DOLBY mode
DTS	Selects DTS mode
EX/ES	Selects EX/ES
DIRECT	Selects PURE DIRECT
MCH-ST	Selects MULTI CHANNEL STEREO
STEREO	Selects STEREO mode
HDMI 1	Selects HDMI OUTPUT 1
HDMI 2	Selects HDMI OUTPUT 2
EQ	Selects EQ mode
NIGHT	Selects NIGHT mode on/off
BASS+	BASS+
BASS-	BASS-
TREB+	TREBLE +
TREB-	TREBLE -
MULTI	Selects MULTI ROOM on/off
M-SPKR	Selects MULTI SPEAKER on/off
A/D	Selects ANALOG/DIGITAL
V-OFF	Selects VIDEO OFF
M-DAX	Selects M-DAX on/off

### RC3001 AMP MODE

NAME	MODE	PAGE	BUTTON
SOURCE ON/OFF	AMP		③
POWER ON	AMP		②
POWER OFF	AMP		①
VOL +/-	AMP		⑨
MUTE	AMP		⑧
Cursor	AMP		⑥
ENTER	AMP		⑤
MENU	AMP		⑬
EXIT	AMP		⑦
LIP SYNC	AMP	2	L3orR3
TEST TONE	AMP	3	L2orR2
CH SELECT	AMP	3	L3orR3
SURR MODE	AMP	1	L5orR5
OF-7.1CH-ON	AMP	2	R4
OF-7.1CH-ON	AMP	2	L4
ATT	AMP	1	L2orR2
SPKR A/B	AMP	1	L6orR6
DISPLAY	AMP	1	L4orR4
INFO	AMP		④
SLEEP	AMP	1	L3orR3
THX	AMP	6	L3orR3
AUTO SURR	AMP	4	L5orR5
DD	AMP	5	L2orR2
DTS	AMP	5	L3orR3
ES/EX	AMP	5	L4orR4
P.DIRECT	AMP	2	L2orR2
M-CH ST	AMP	6	L2orR2
STEREO	AMP	4	L6orR6
HDMI 1	AMP	4	L2orR2
HDMI 2	AMP	4	L3orR3
EQUALIZER	AMP	4	L4orR4
NIGHT	AMP	6	L4orR4
-BASS+	AMP	3	R5
-BASS-	AMP	3	L5
-TREBLE+	AMP	3	R6
-TREBLE-	AMP	3	L6
ON/OFF	MULTI-A		③
M-SPK-ON	MULTI-A	1	L2orR2
M-SPK-OFF	MULTI-A	1	L3orR3
A/D	AMP	2	L6orR6
VIDEO OFF	AMP	2	L5orR5
M-DAX	AMP	6	L6orR6

### RC8001SR TUNER MODE

NAME	FUNCTION
CH+/-	Selects a preset station up and down
GUIDE	Selects the "Frequency direct input"
0-9	Input the numeric
MEMO	Enter the tuner preset memory numbers
CLEAR	Clears the inputting
FM	Selects FM
AM	Selects AM
XM/DAB	Selects XM RADIO
NEURAL	Selects NEURAL AUDIO
BAND	Selects radio band
SCAN+	Frequency scan Up
SCAN-	Frequency scan Down
T-MODE	Selects MONO/STEREO
P-SCAN	Selects preset scan
P-INFO	Show preset information
DISP	Display
PTY	RDS PTY
AF	RDS alternate frequency
STM	RDS station mode
DWR	RDS DSR wave language
SCAN+	Frequency scan up
SCAN-	Frequency scan down
DISP	XM/RDS display
CAT+	CATEGORY search up
CAT-	CATEGORY search down

### RC3001 TUNER MODE

NAME	MODE	PAGE	BUTTON
CH+/-	TUNER		⑫
GUIDE	TUNER		⑭
0-9	TUNER		⑪
MEMORY	TUNER	2	L6orR6
CLEAR	TUNER		⑩
FM	TUNER	1	L2orR2
AM	TUNER	1	L3orR3
XM/DAB	TUNER	1	L4orR4
NEURAL	TUNER	1	L5orR5
BAND	TUNER	1	L6orR6
-TUNE+	TUNER	2	R2
-TUNE-	TUNER	2	L2
T-MODE	TUNER	2	L3orR3
P-SCAN	TUNER	2	L4orR4
P-INFO	TUNER	2	L5orR5
RDS DISP	TUNER	5	L2orR2
RDS PTY	TUNER	5	L3orR3
RDS AF	TUNER	5	L4orR4
RDS STM	TUNER	5	L5orR5
RDS DWR	TUNER	5	L6orR6
-XM TUNE+	TUNER	6	R2
-XM TUNE-	TUNER	6	L2
XM DISP	TUNER	6	L3orR3
-XM CAT+	TUNER	6	R5
-XM CAT-	TUNER	6	L5