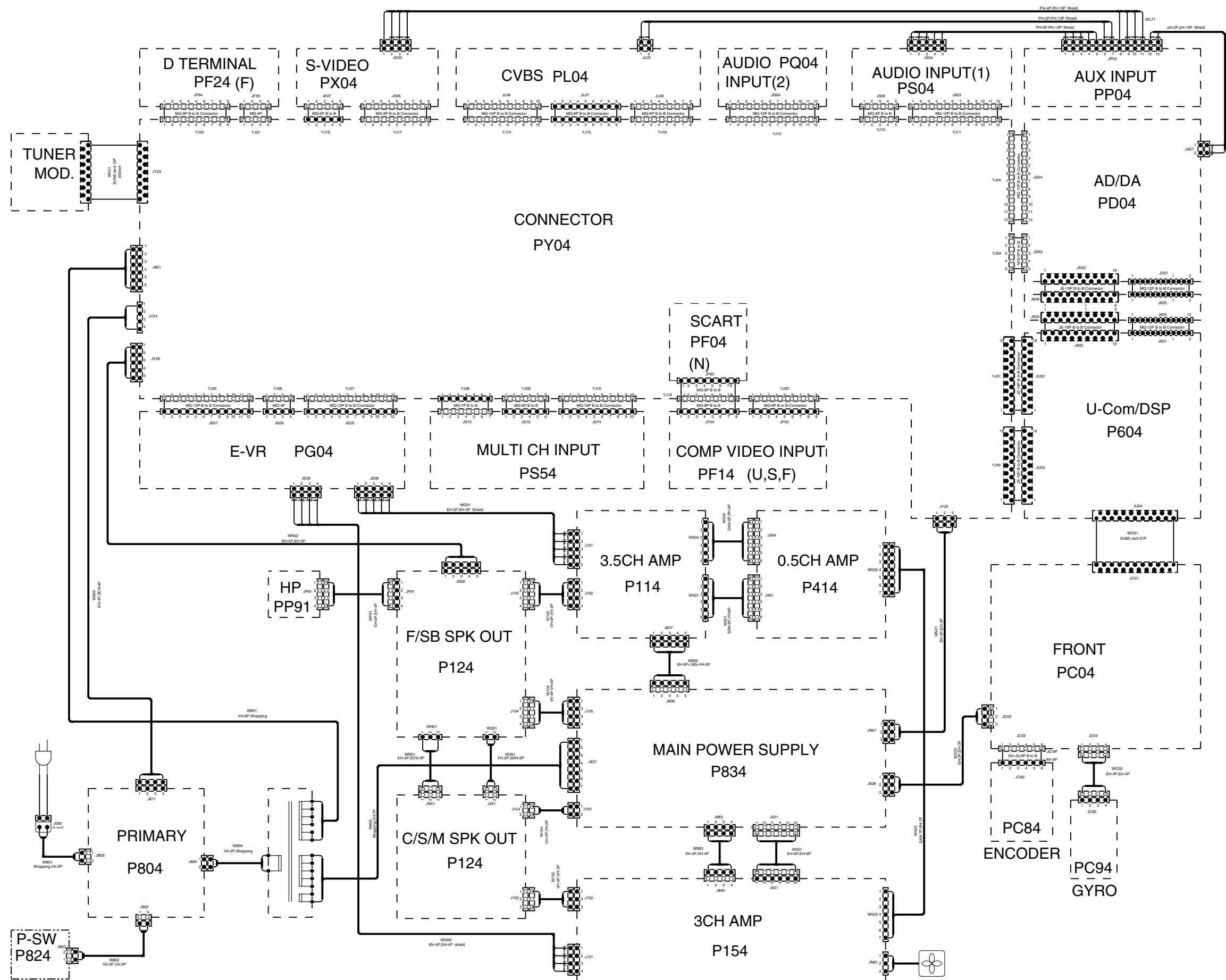
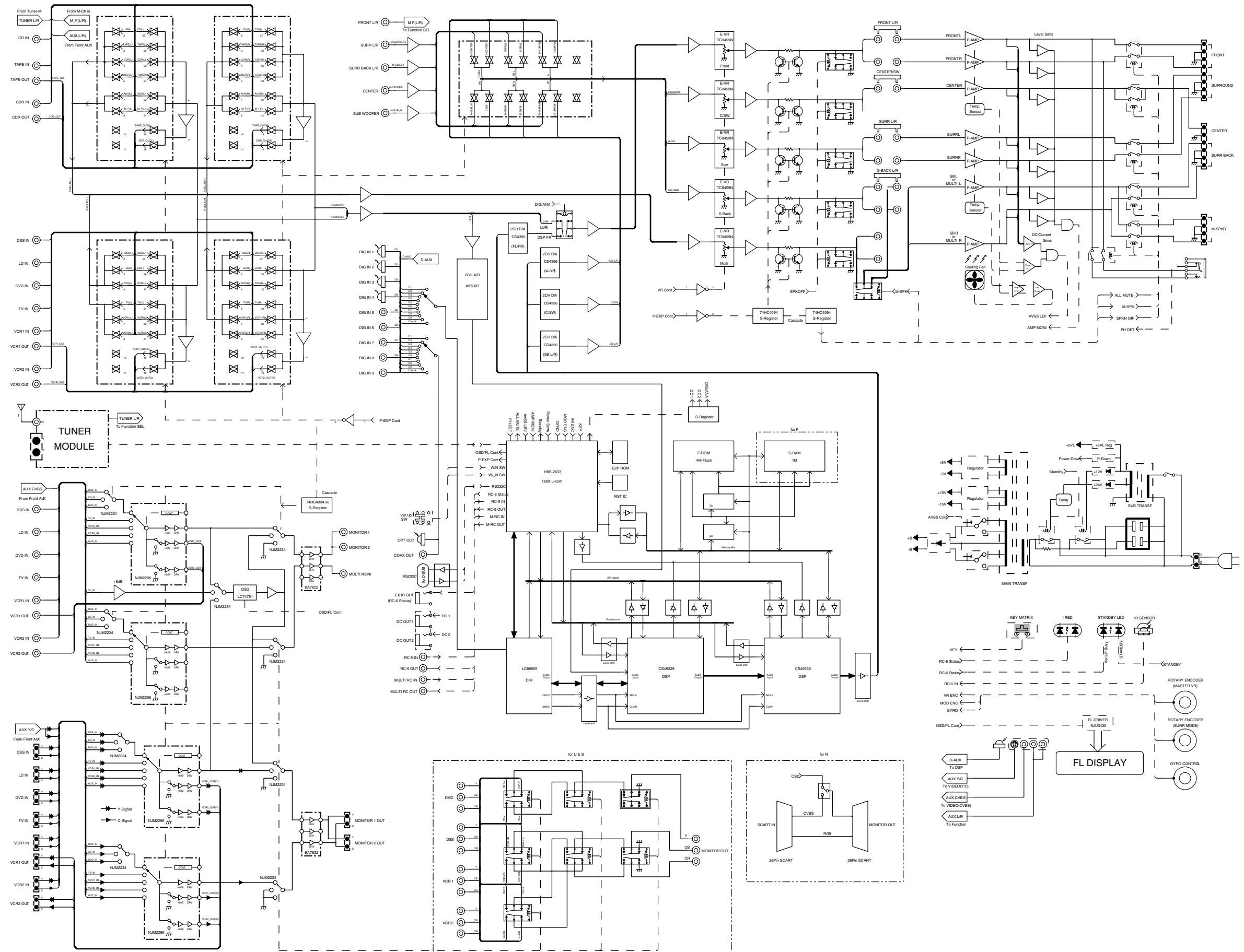


2. WIRING DIAGRAM

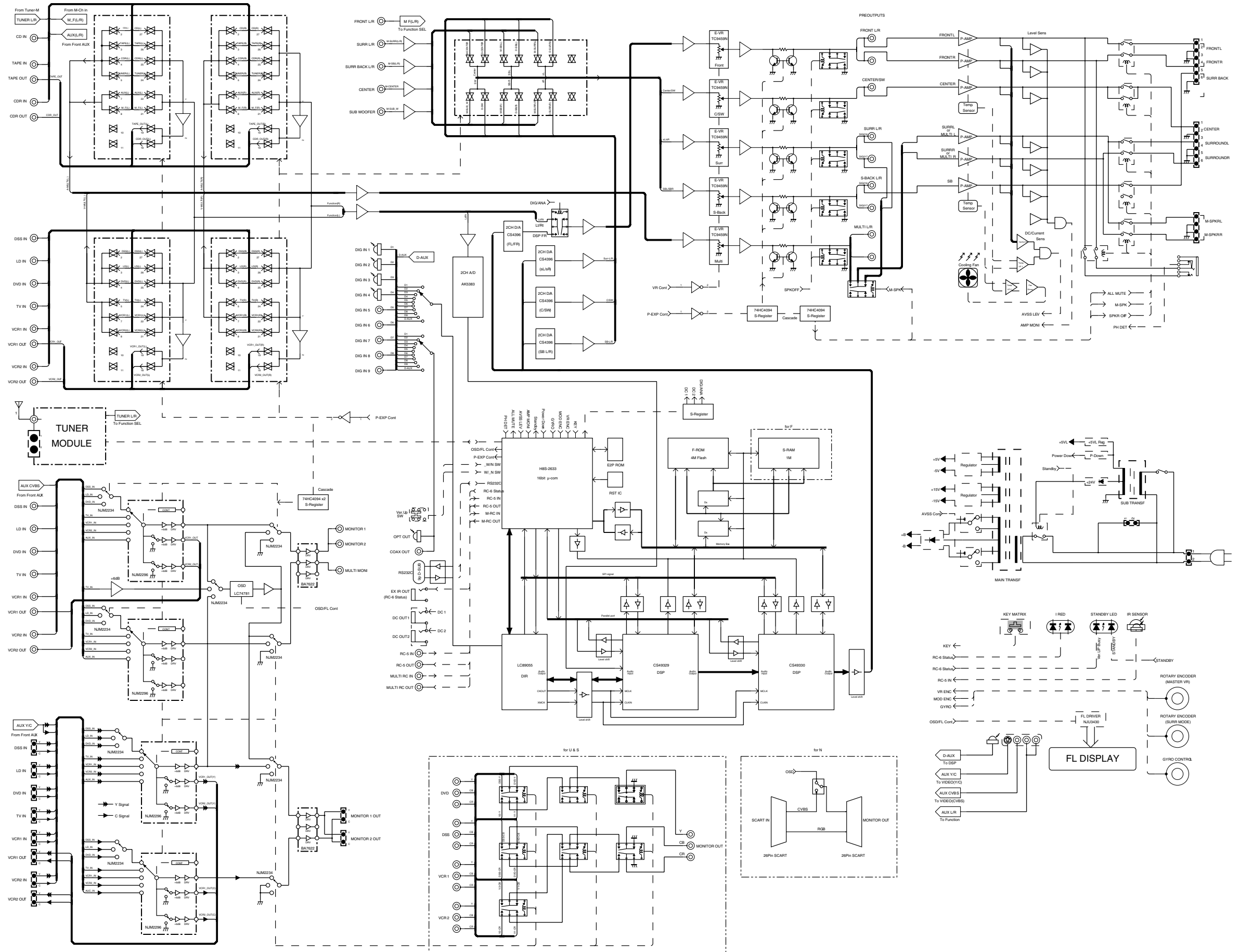


3. BLOCK DIAGRAM

SR9200 / PS9200

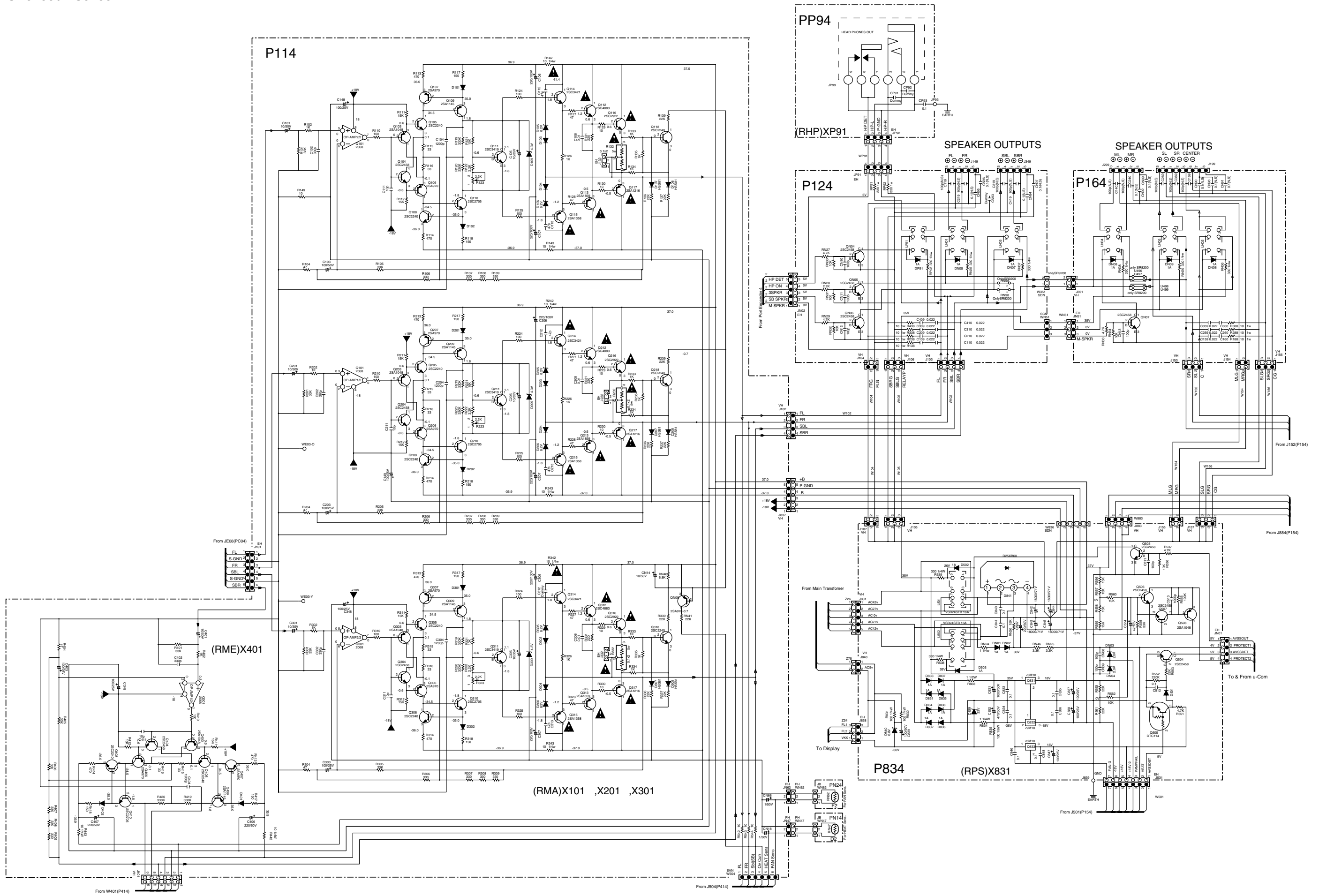


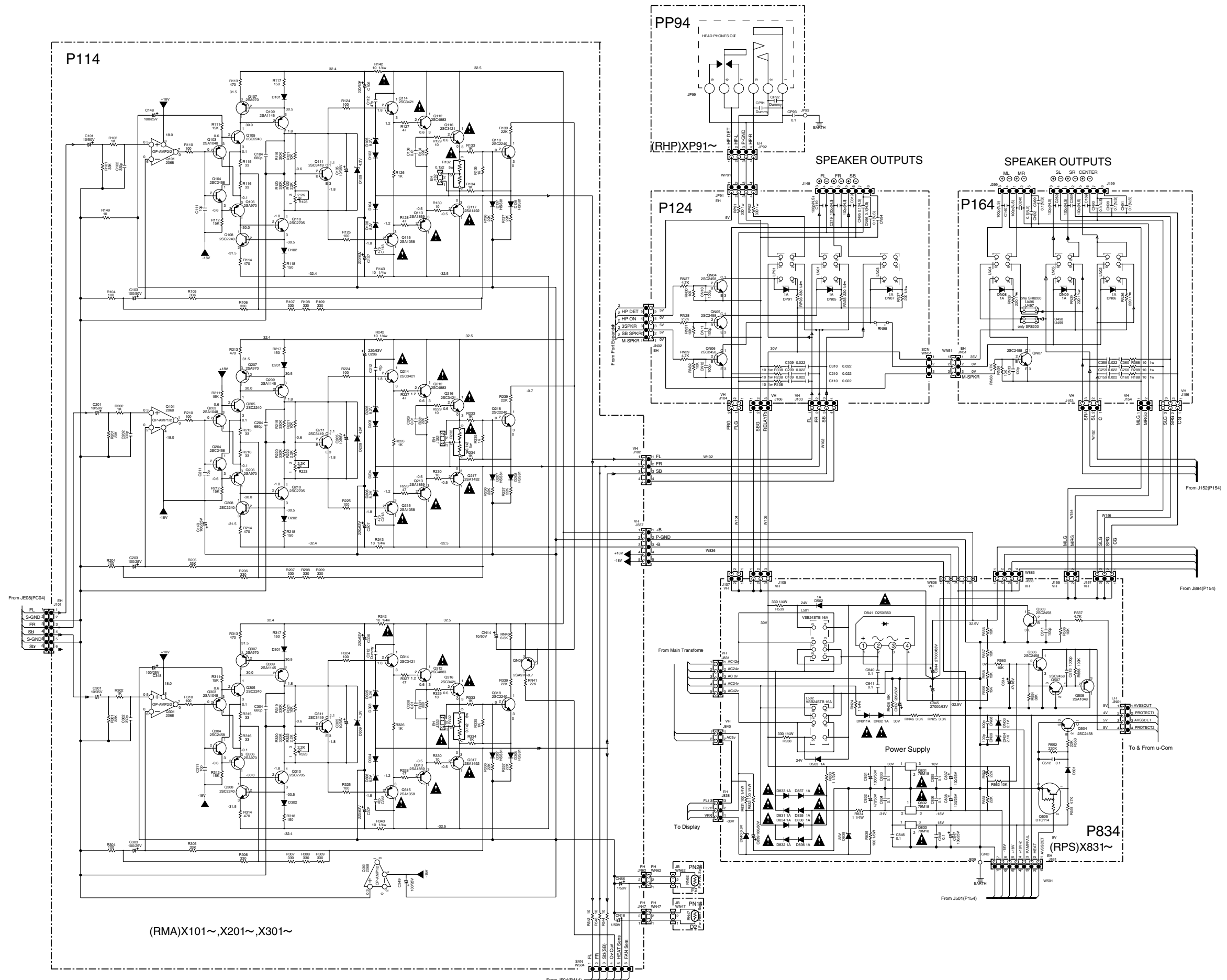
SR8200



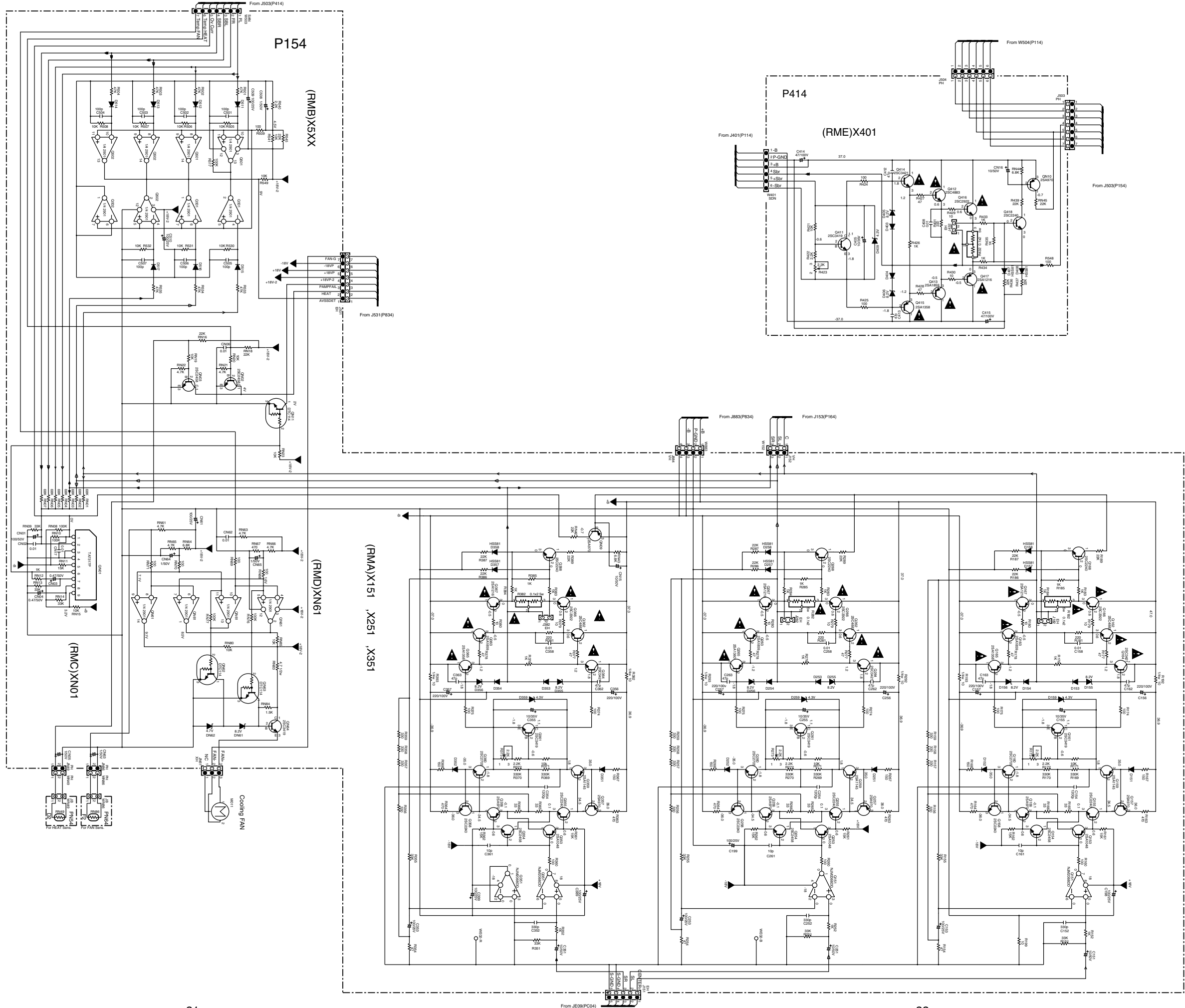
4. SCHEMATIC DIAGRAM

SR9200 / PS9200



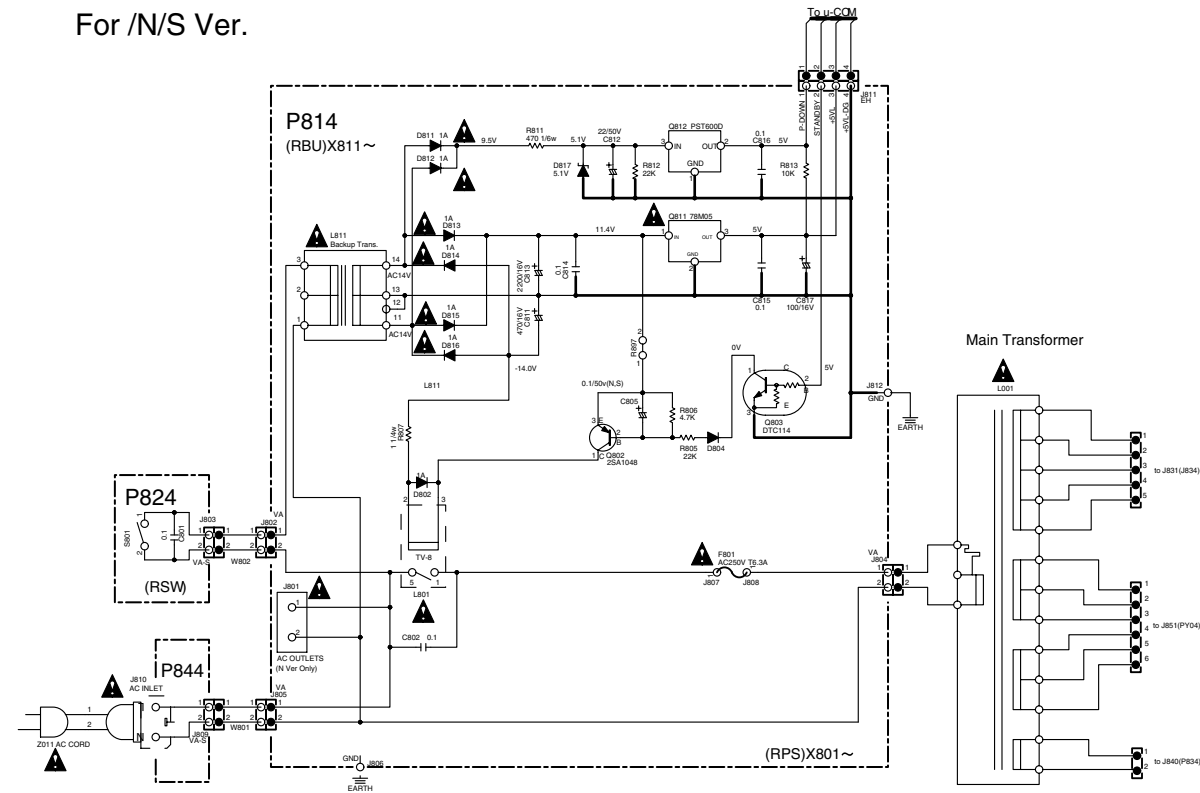


(RMA)X101~,X201~,X301~

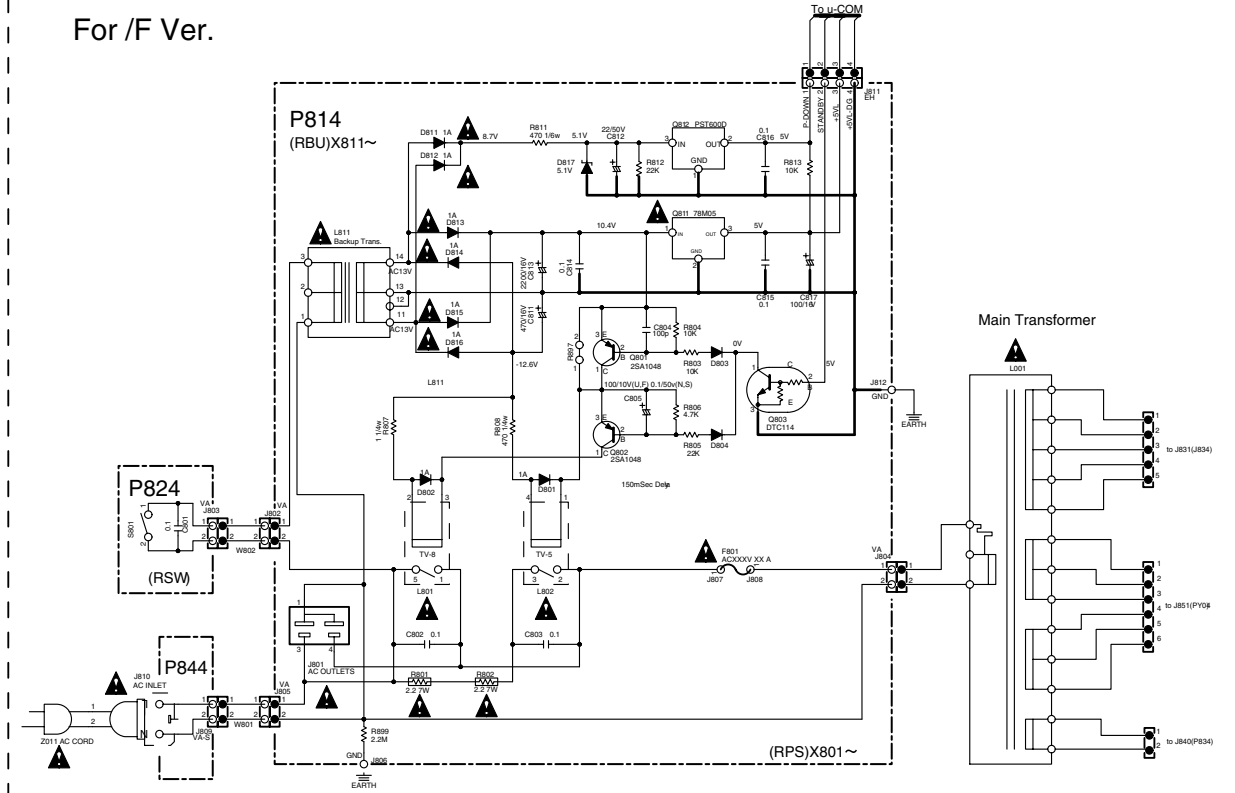


SR9200 / PS9200

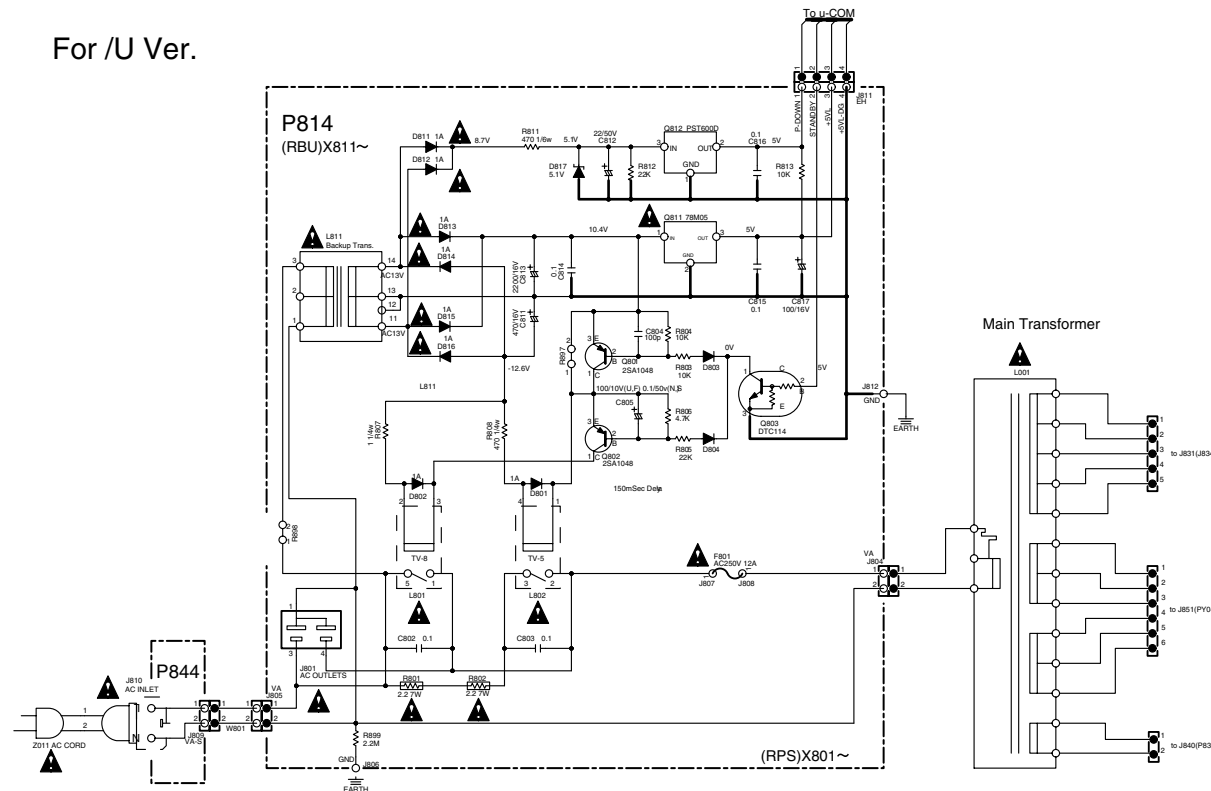
For /N/S Ver.



For /F Ver.

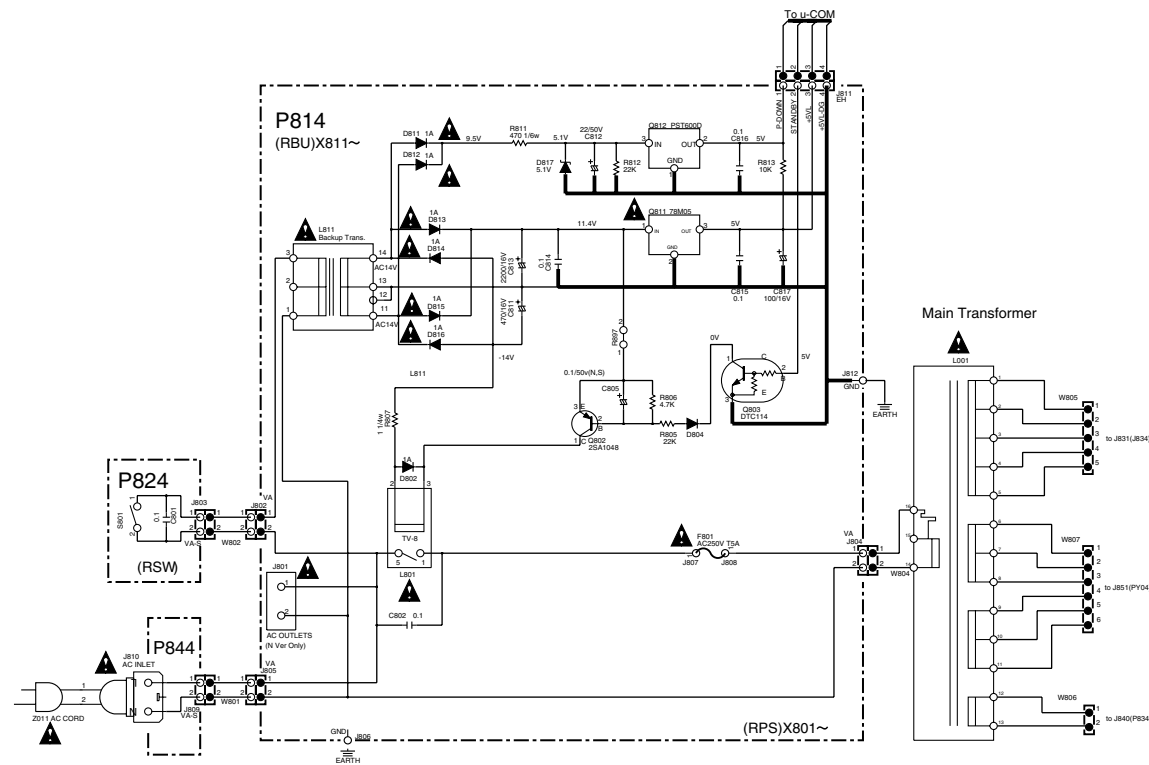


For /U Ver.

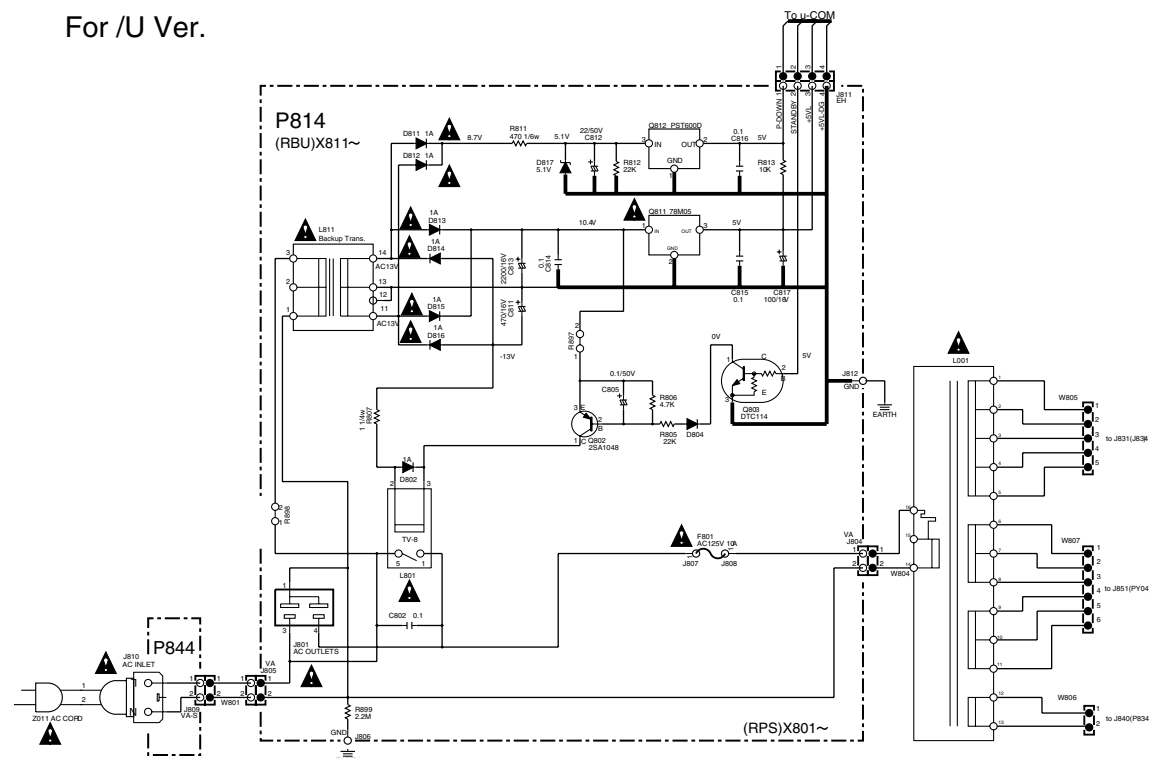


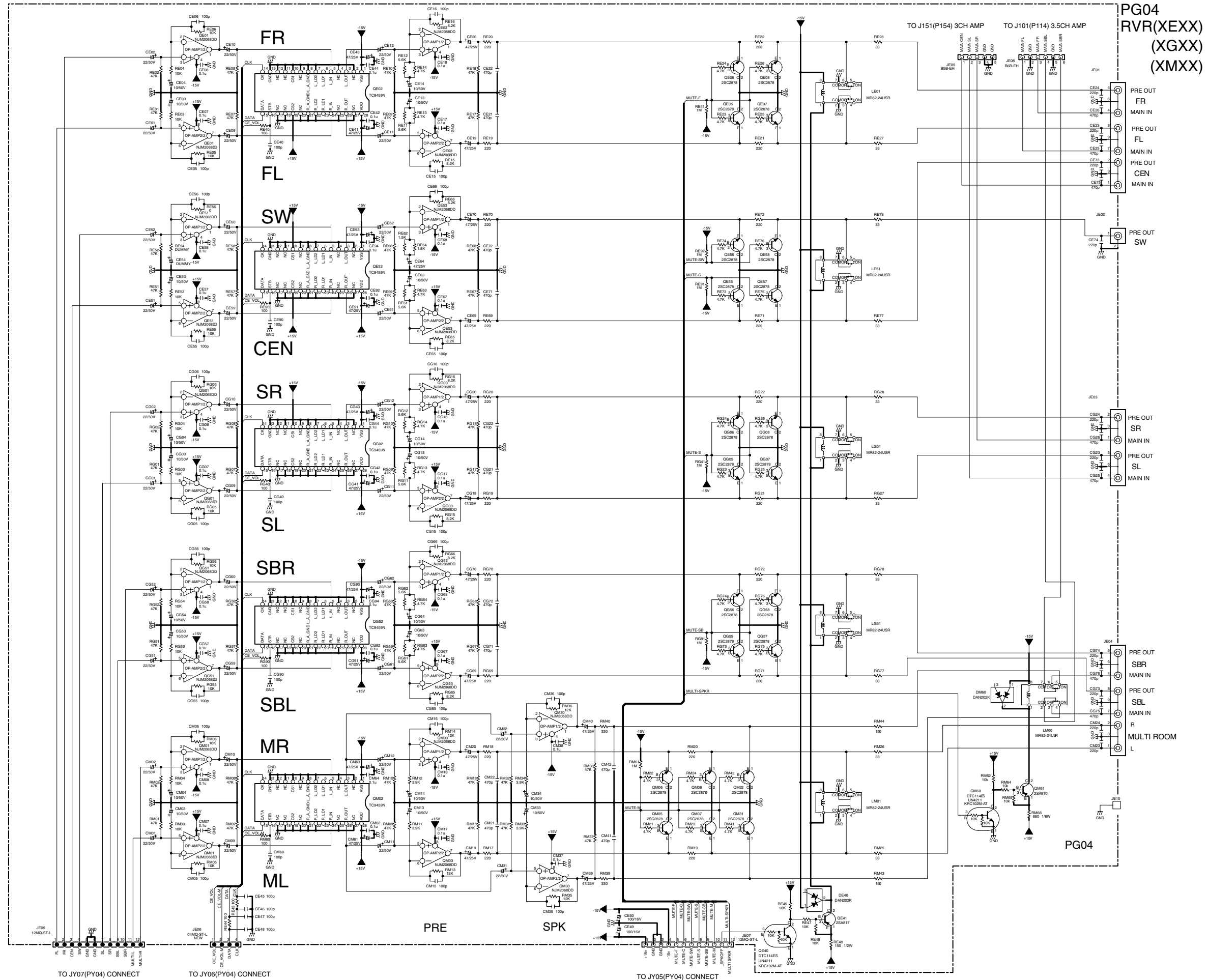
SR8200

For /N/S Ver.



For /U Ver.





PG04
RVR(XEXX)
(XGXX)
(XMXX)

PRE OUT
FR
MAIN IN

PRE OUT
FL
MAIN IN

PRE OUT
CEN
MAIN IN

PRE OUT
SW

PRE OUT
SR
MAIN IN

PRE OUT
SL
MAIN IN

PRE OUT
SBR
MAIN IN

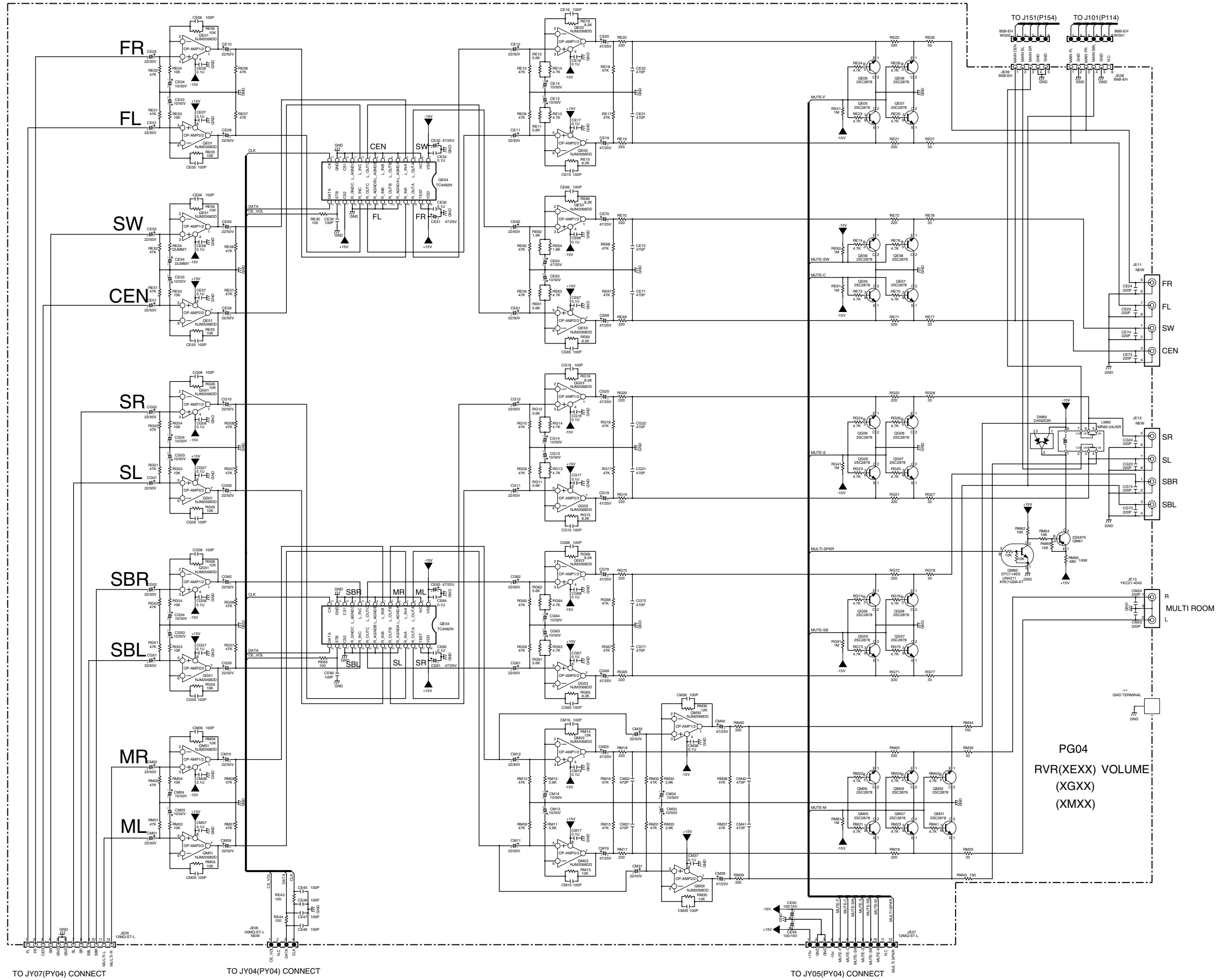
PRE OUT
SBL
MAIN IN

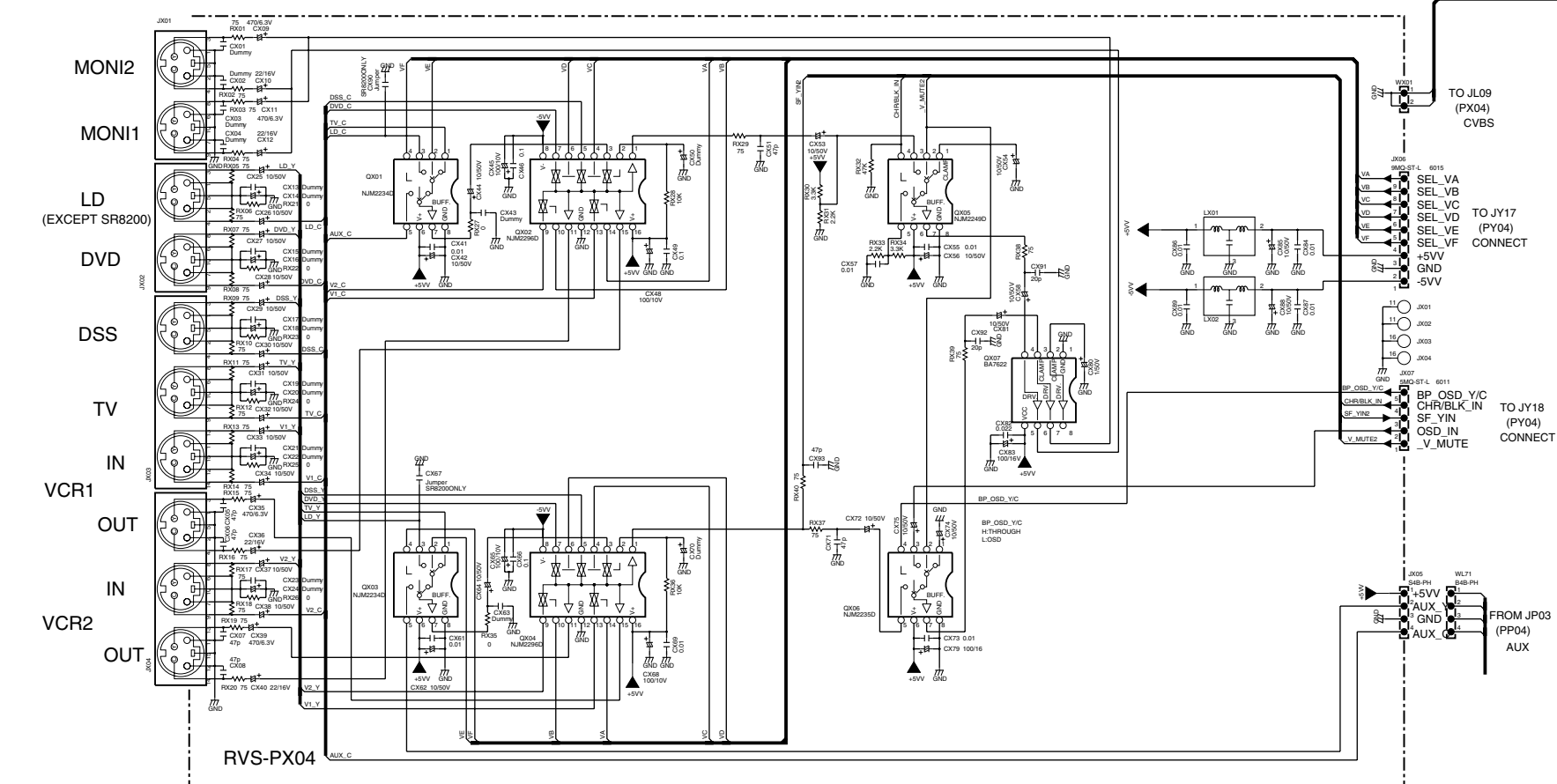
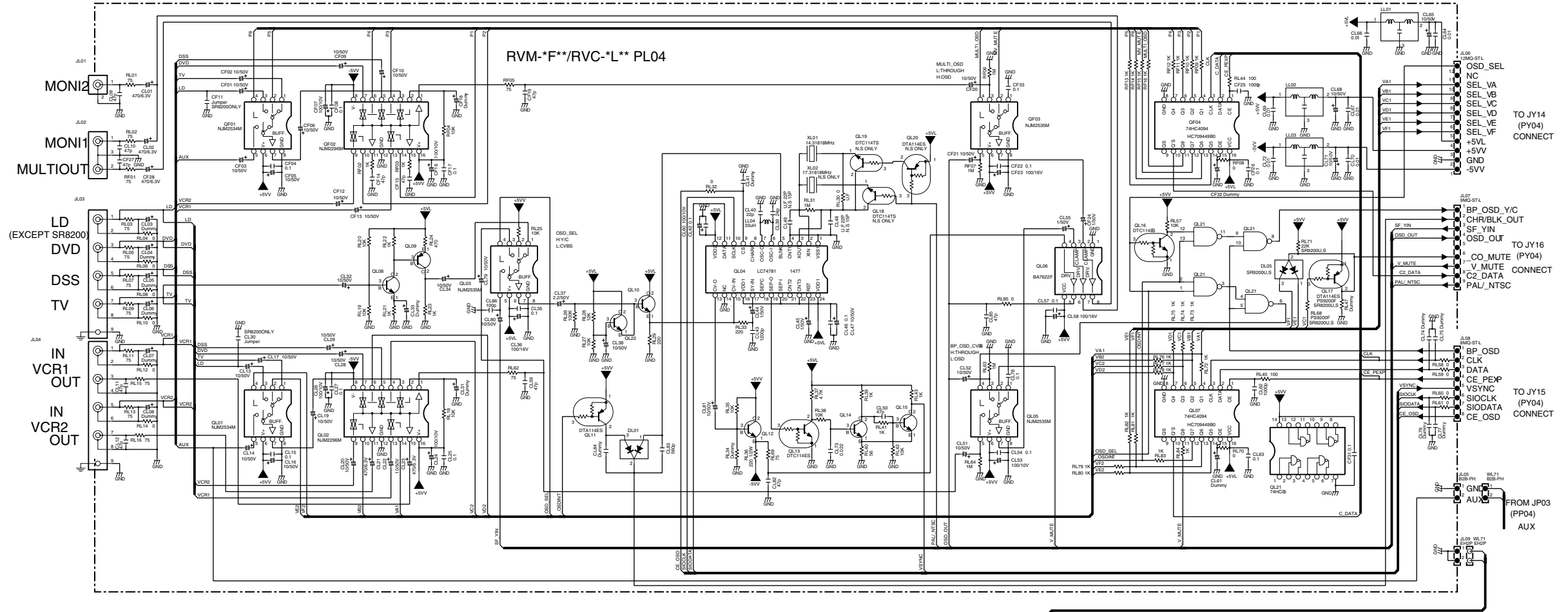
R
MULTI ROOM
L

TO JY07(PY04) CONNECT

TO JY06(PY04) CONNECT

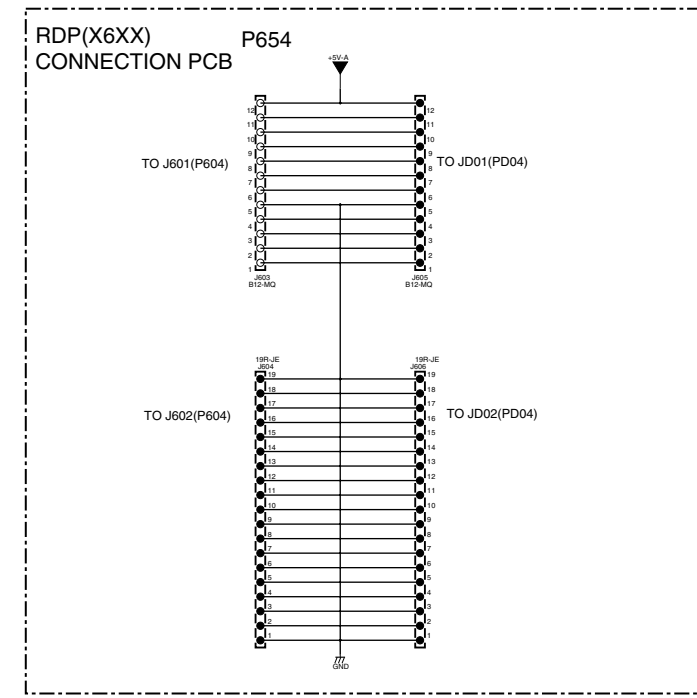
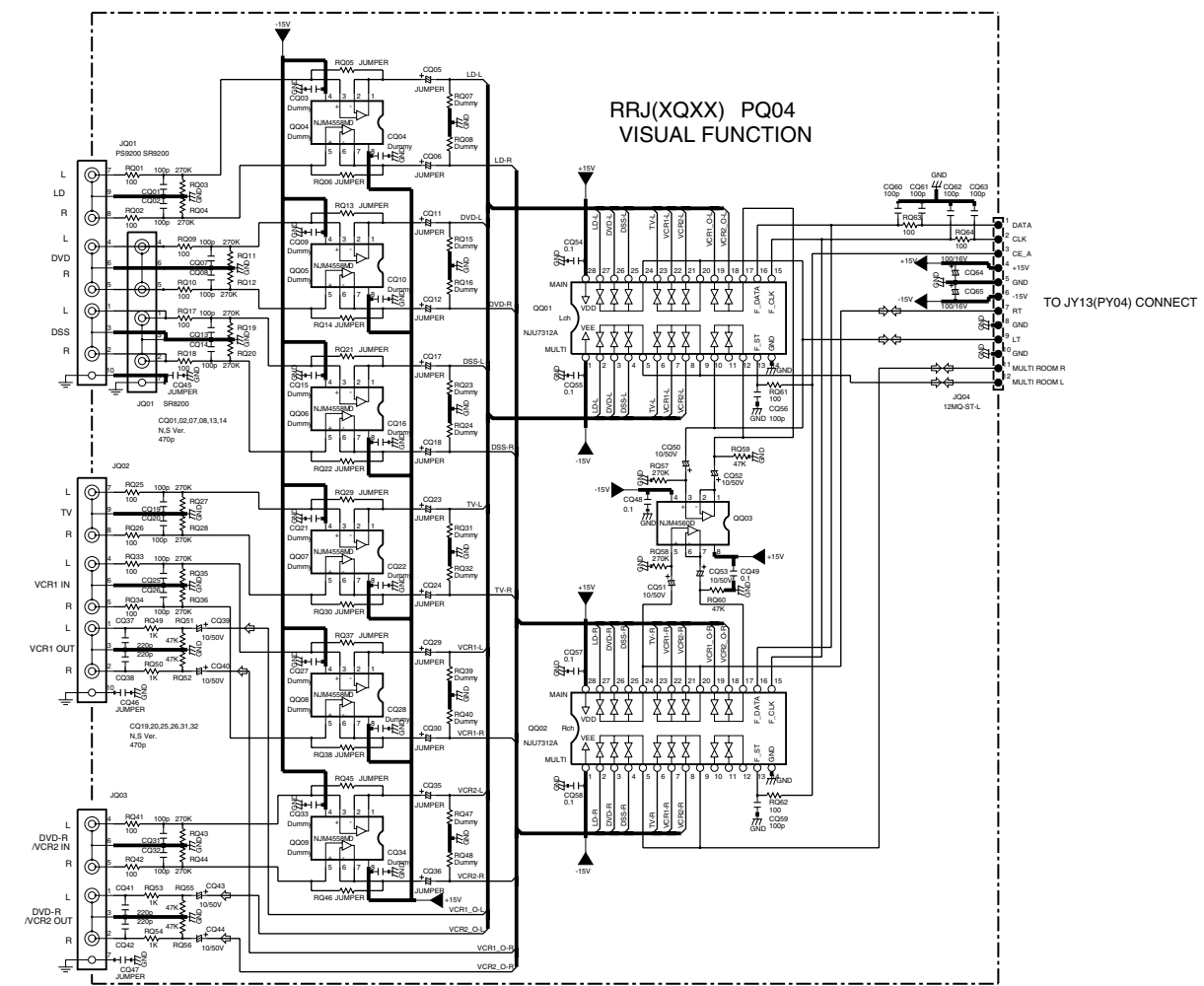
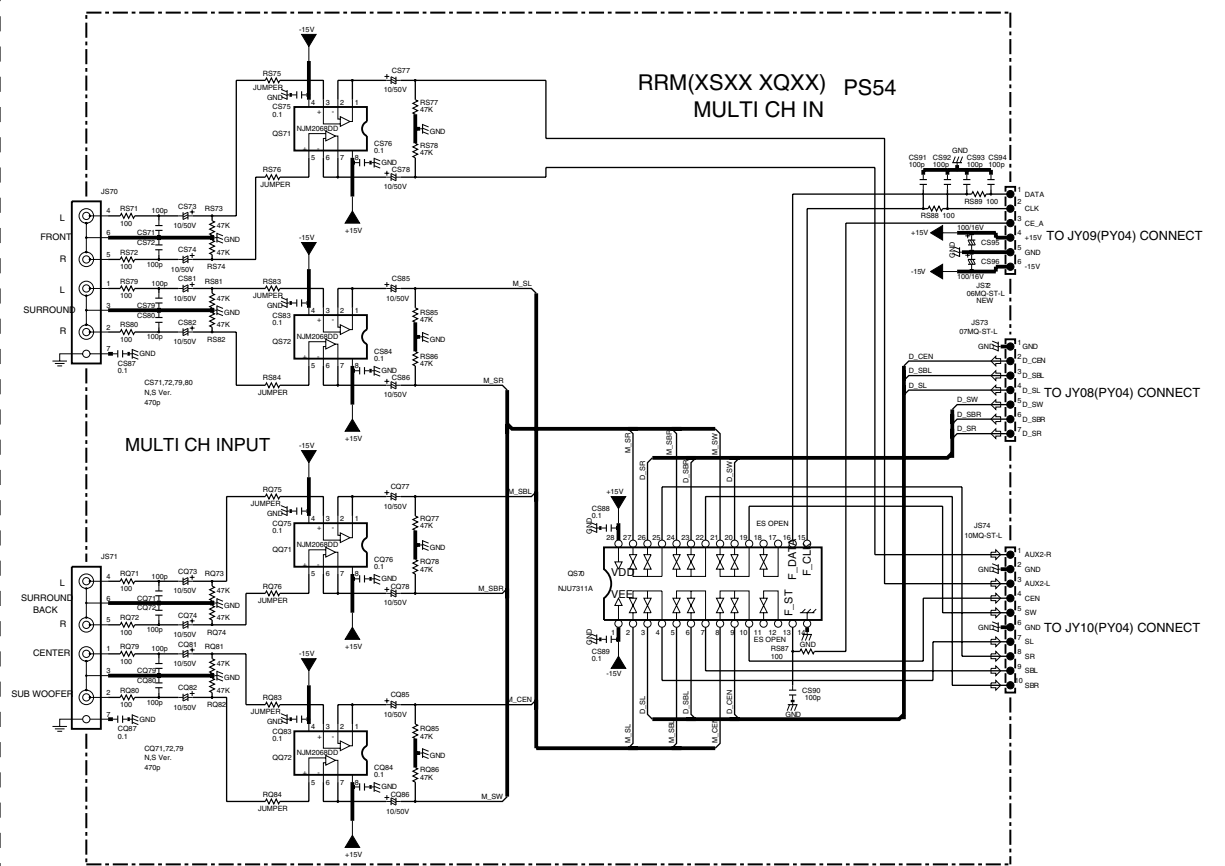
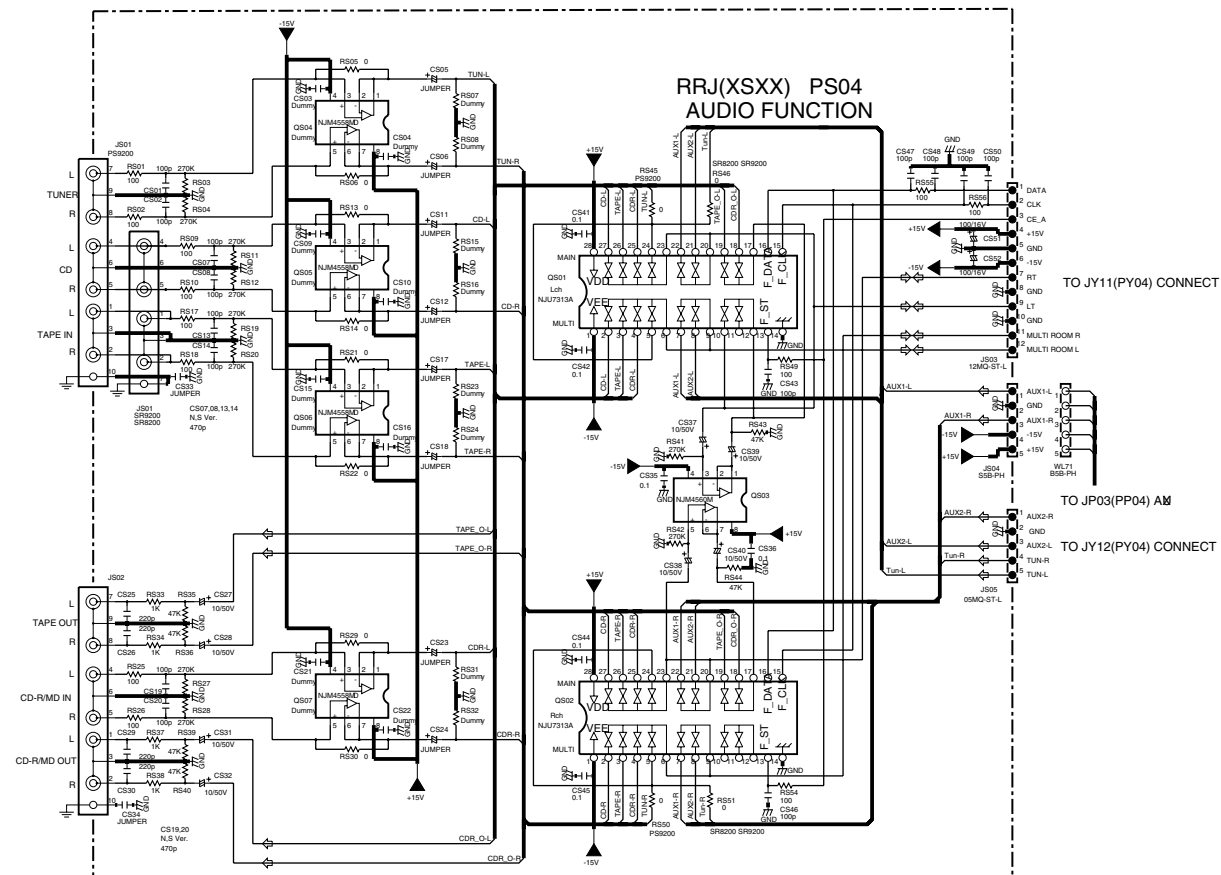
TO JY05(PY04) CONNECT

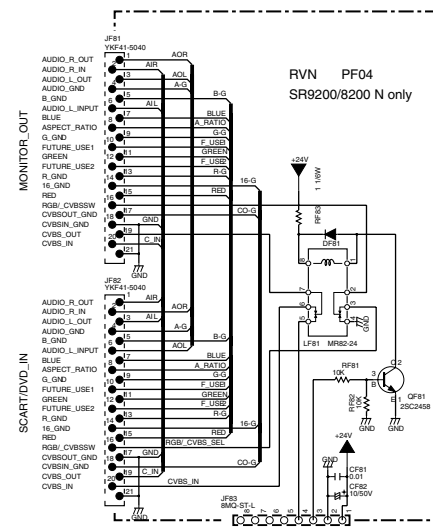
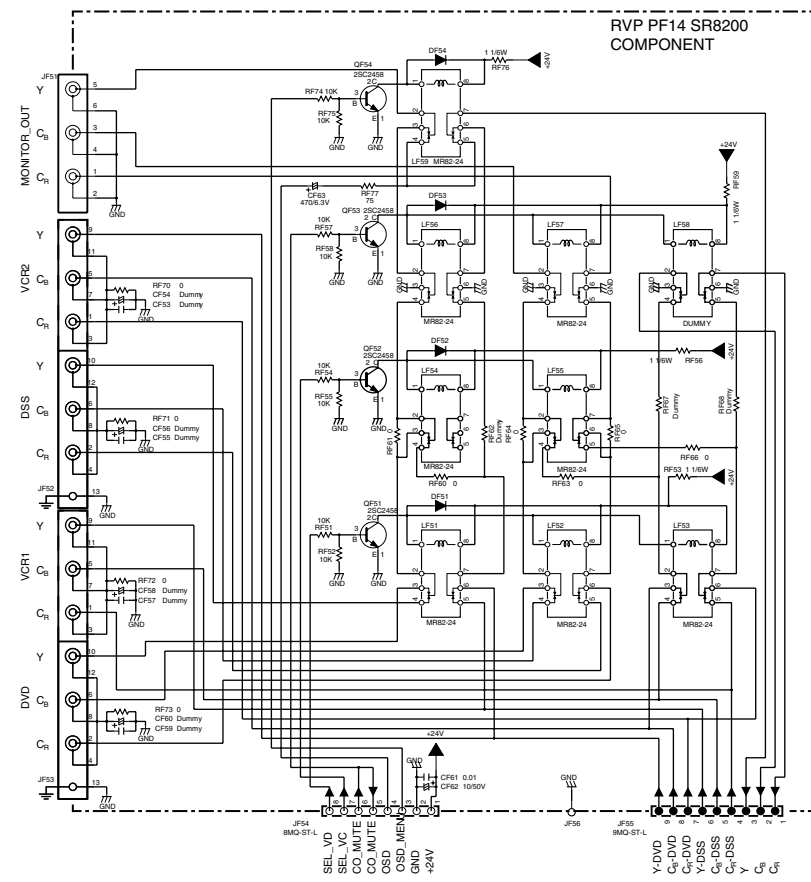
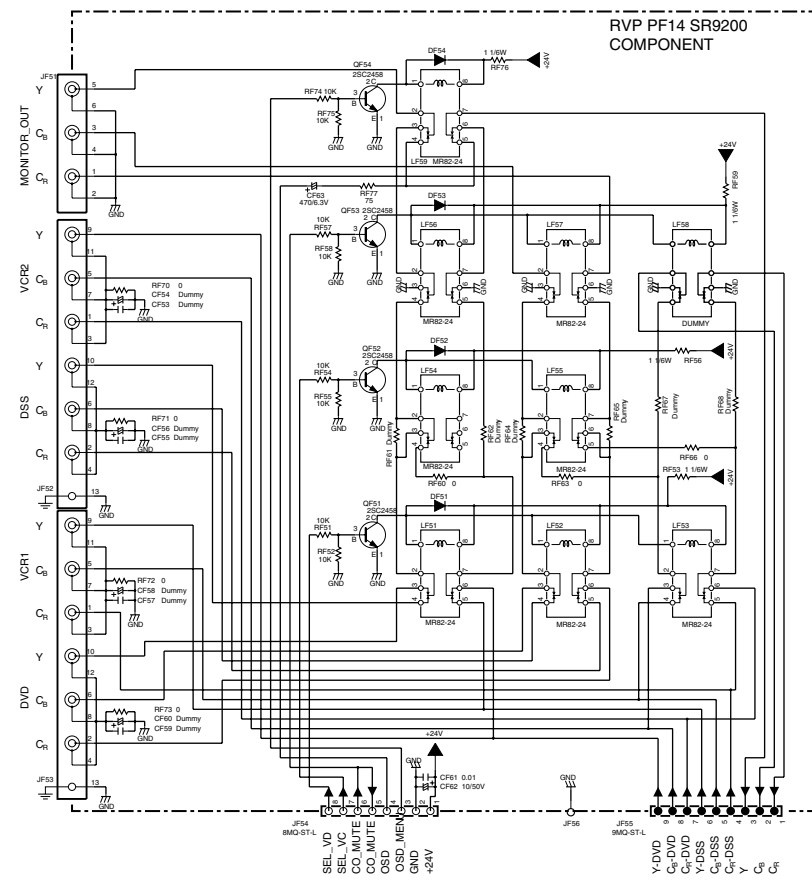
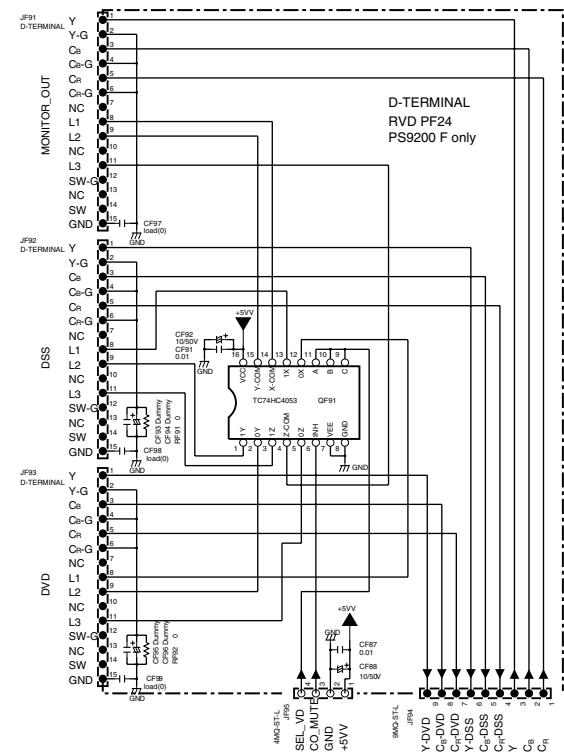
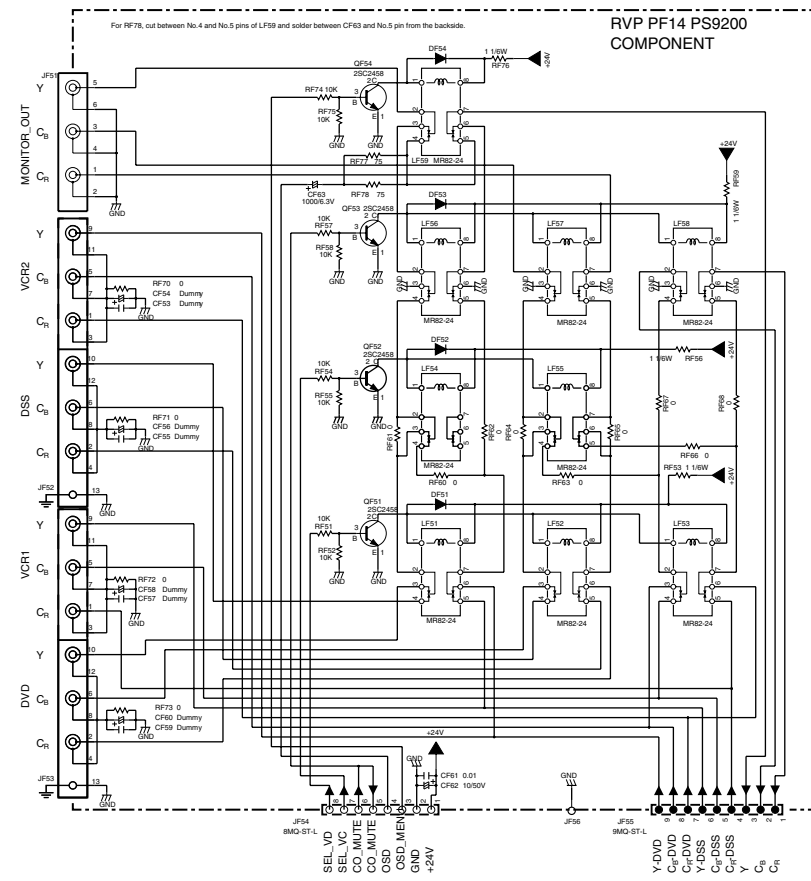
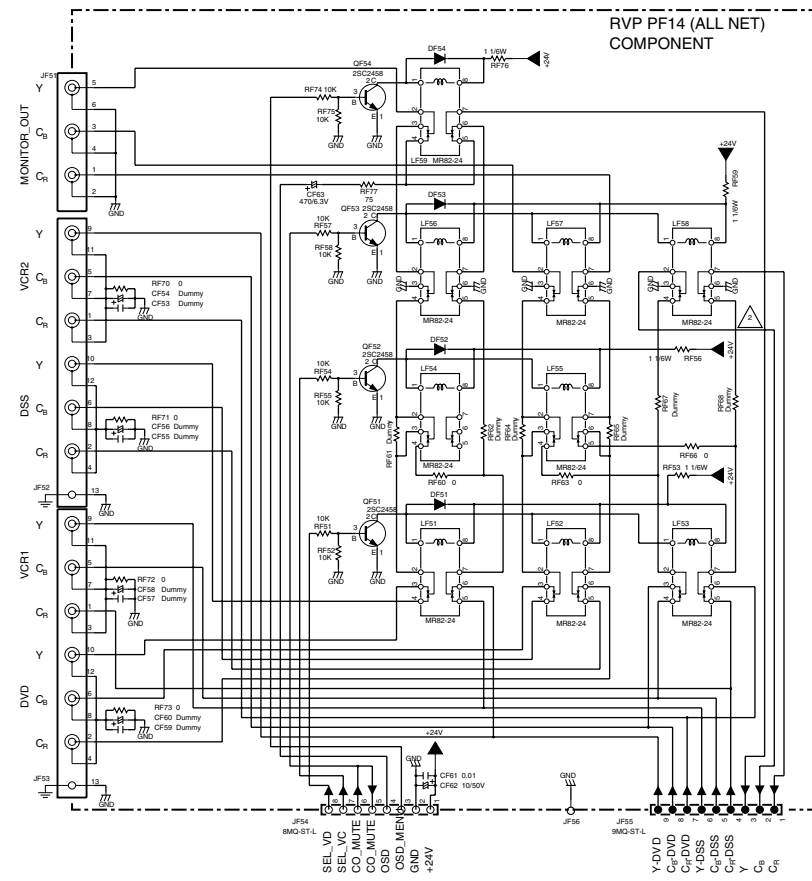




MAIN ROOM CONTROL							MULTI ROOM CONTROL						
	VA	VB	VC	VD	VE	VF		VA	VB	VC	VD	VE	VF
TV	H	H	H	H	L	L	TV	H	H	H	H	L	L
DVD	H	H	L	L	H	H	DVD	H	H	L	L	*	*
LD	H	H	H	H	H	L	LD	H	H	H	H	H	L
VCR1	L	H	H	H	H	H	VCR1	L	L	L	L	*	*
VCR2	H	L	H	L	H	H	VCR2	H	L	L	L	*	*
DSS	H	H	L	H	H	H	DSS	H	H	L	H	*	*
AUX	H	H	H	H	L	H	AUX	H	H	H	H	H	H

*DONT CARE





COMPONENT CONTROL

	VC	VD
DVD	L	L
VCR1	H	H
VCR2	H	L
DSS	L	H

