

# D&M

D&M Holdings Inc.

100 Corporate Drive Mahwah, NJ 07430

## marantz®

### Service Bulletin

No. : MZ05-036

Date: January 4, 2007

---

**Model:** SR9600

**Subject:** The Backup Transformer Fuse opens.

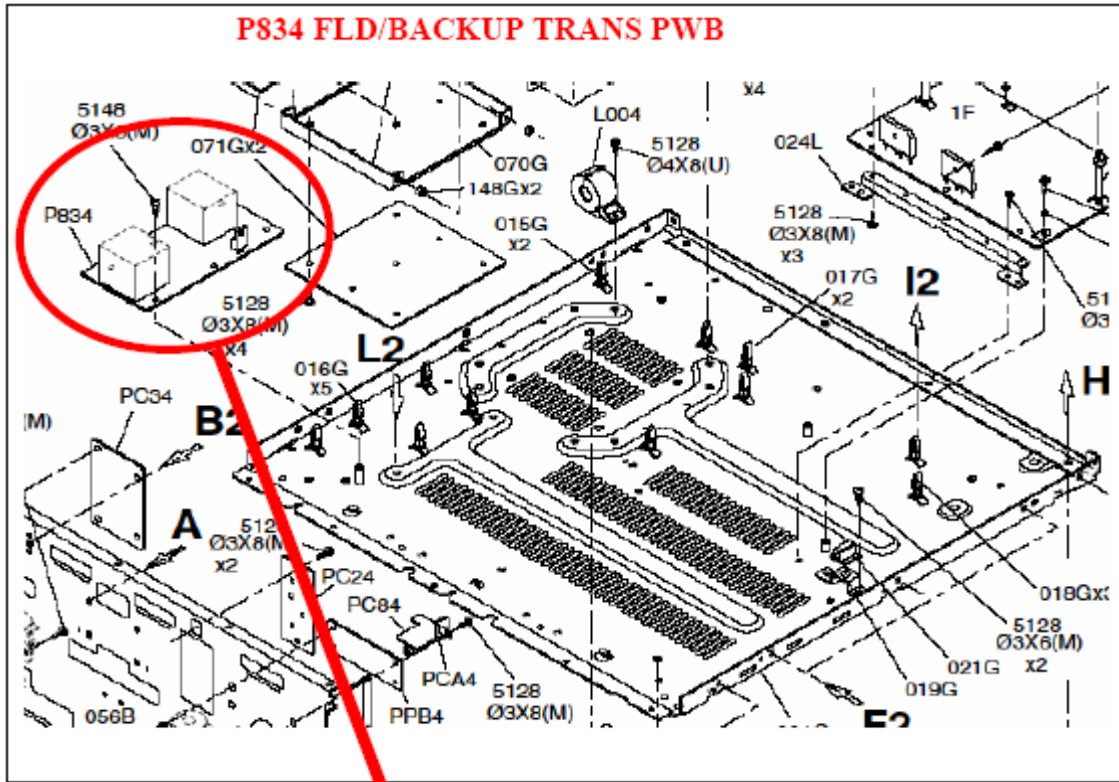
**Symptom:** This problem (open fuse) can occur when an unsuitable cable (mono plug) is connected to IR-RECEIVER IN Terminal (Stereo mini plug). If the terminal short-circuits from an unsuitable cable, there is a possibility of opening the fuse for the Backup Transformer (TB01) due to over current.

**Solution:** Add a Circuit protector (Polyswitch) and Cut the pattern on the P834 FLD/BACKUP TRANSF PWB. See the attached pictures for details.

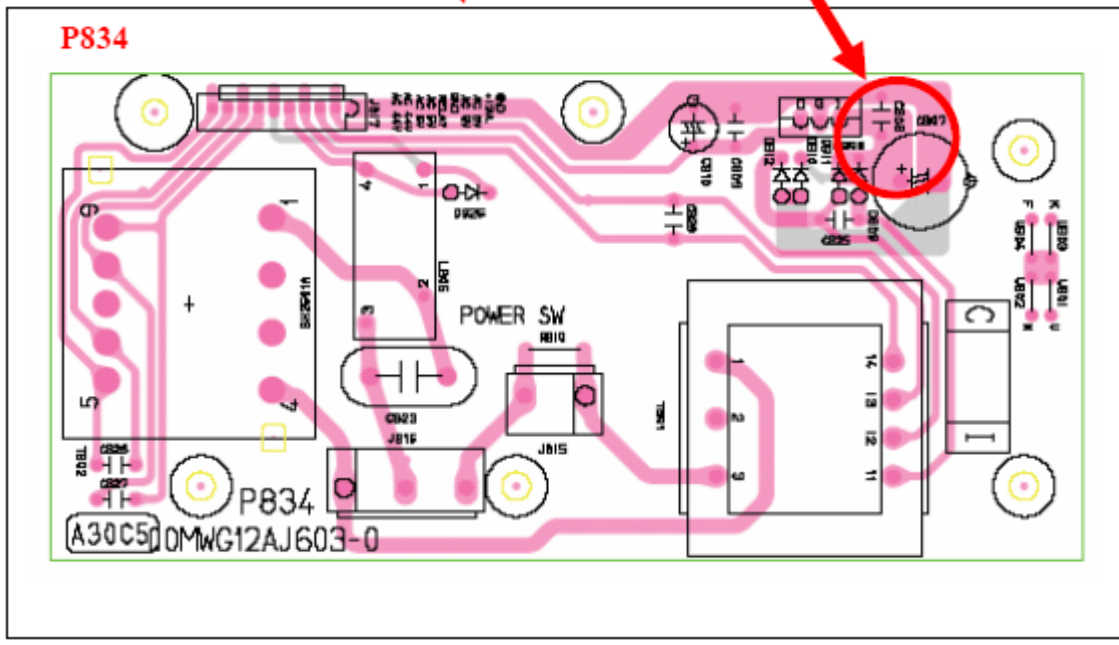
---

#### CONFIDENTIALITY NOTICE:

The information contained in this document is intended for the exclusive use by MARANTZ Authorized Service Centers and their employees. This document may contain information that is privileged, confidential and may be protected from disclosure under applicable laws and terms of the MARANTZ Service Agreement. Any distribution, disclosure, dissemination or copying of this document and the information it contains is prohibited. No responsibility will be accepted by MARANTZ for any damage, injury or loss resulting from the misuse of the information contained in this document.



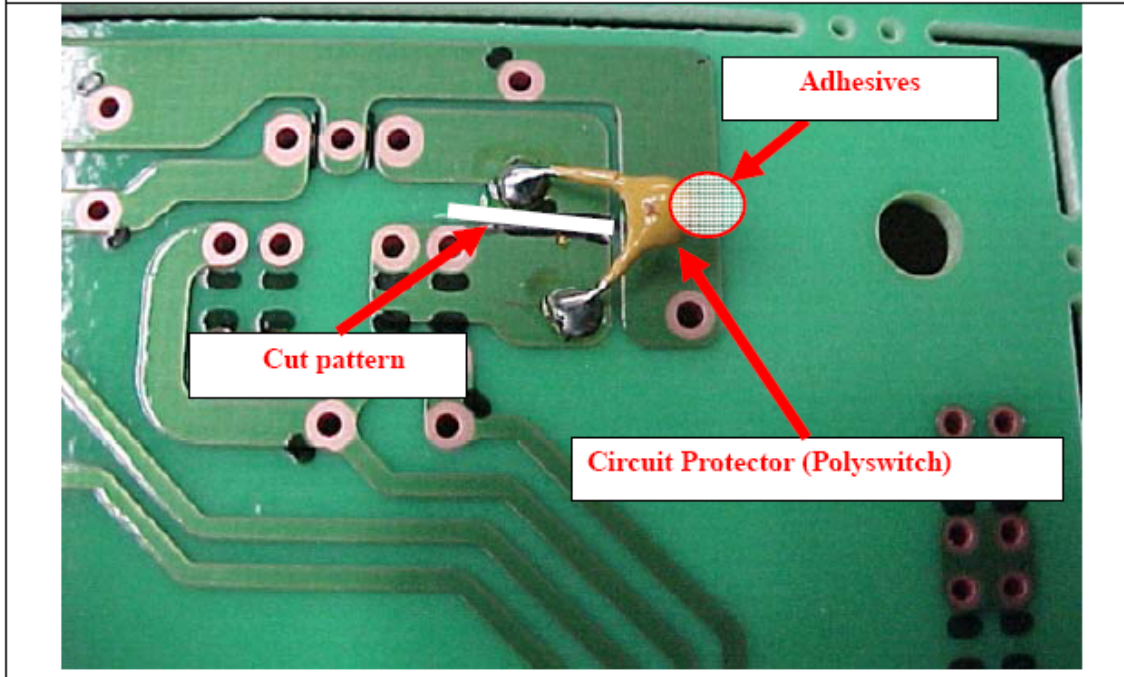
**Change part**



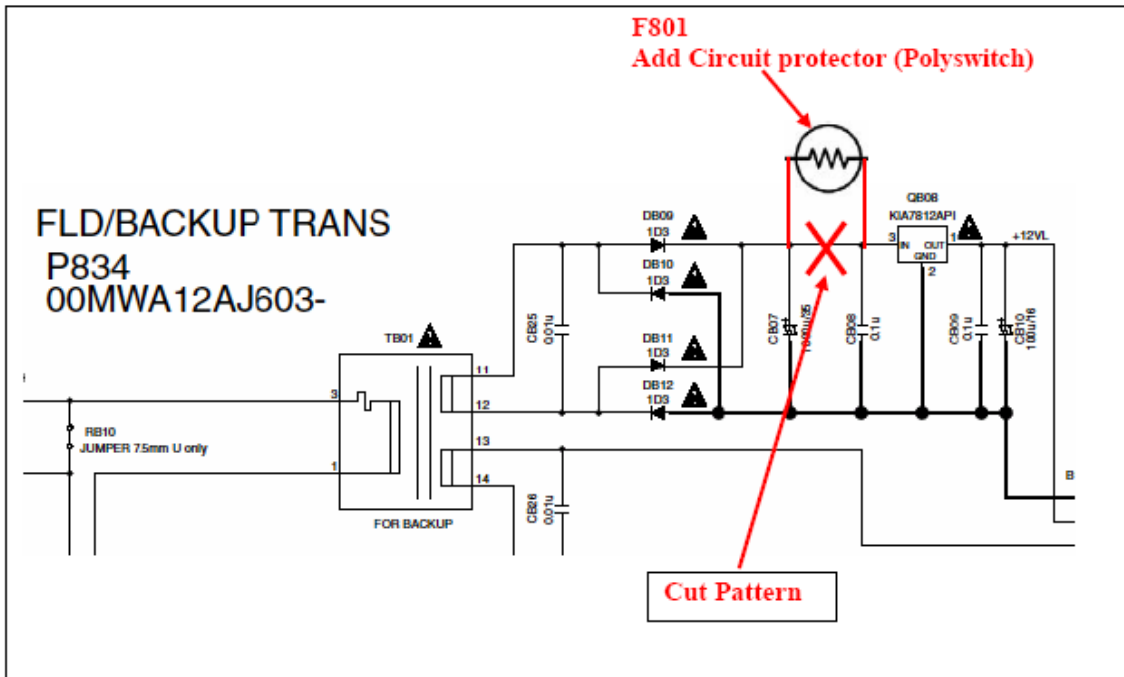
**CONFIDENTIALITY NOTICE:**

The information contained in this document is intended for the exclusive use by MARANTZ Authorized Service Centers and their employees. This document may contain information that is privileged, confidential and may be protected from disclosure under applicable laws and terms of the MARANTZ Service Agreement. Any distribution, disclosure, dissemination or copying of this document and the information it contains is prohibited. No responsibility will be accepted by MARANTZ for any damage, injury or loss resulting from the misuse of the information contained in this document.

**Circuit protector (Polyswitch) is added and Cut pattern**



Adhesives: SC608LVZ (Sony Chemical Corp Self-extinguishing adhesive) or the equivalent.



**CONFIDENTIALITY NOTICE:**

The information contained in this document is intended for the exclusive use by MARANTZ Authorized Service Centers and their employees. This document may contain information that is privileged, confidential and may be protected from disclosure under applicable laws and terms of the MARANTZ Service Agreement. Any distribution, disclosure, dissemination or copying of this document and the information it contains is prohibited. No responsibility will be accepted by MARANTZ for any damage, injury or loss resulting from the misuse of the information contained in this document.

**Parts:**

<b>Ref#</b>	<b>Description</b>	<b>Part Number</b>
P801	Raychem RXEF005 Polyswitch (50mA)	00MFU05006010

**Serial Number Range:**

This problem applies to the following service code. SR9600 applies to xx00xxxxxxxxxx.

This improvement has done from xx02xxxxxxxxxx and after.

---

**CONFIDENTIALITY NOTICE:**

The information contained in this document is intended for the exclusive use by MARANTZ Authorized Service Centers and their employees. This document may contain information that is privileged, confidential and may be protected from disclosure under applicable laws and terms of the MARANTZ Service Agreement. Any distribution, disclosure, dissemination or copying of this document and the information it contains is prohibited. No responsibility will be accepted by MARANTZ for any damage, injury or loss resulting from the misuse of the information contained in this document.