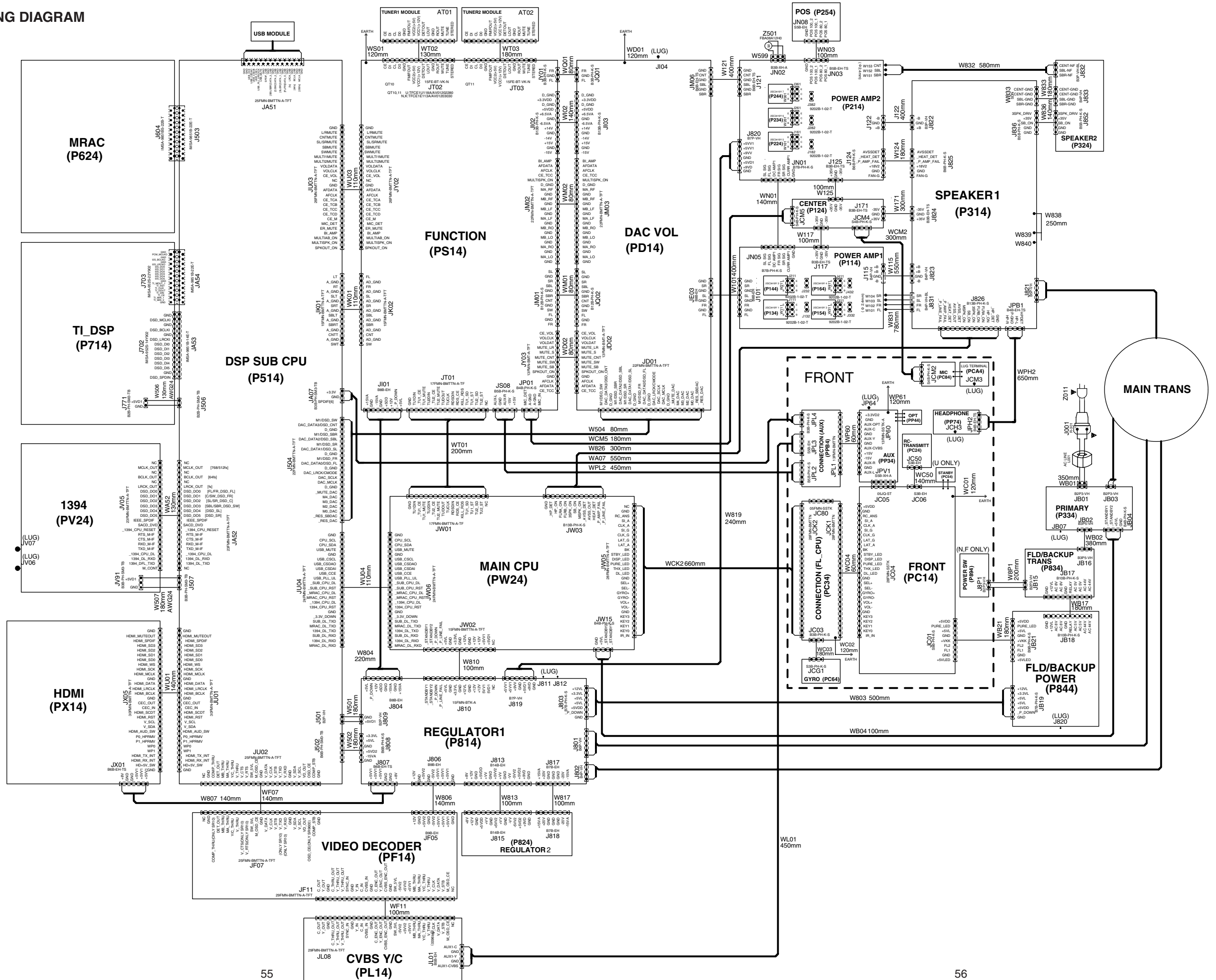
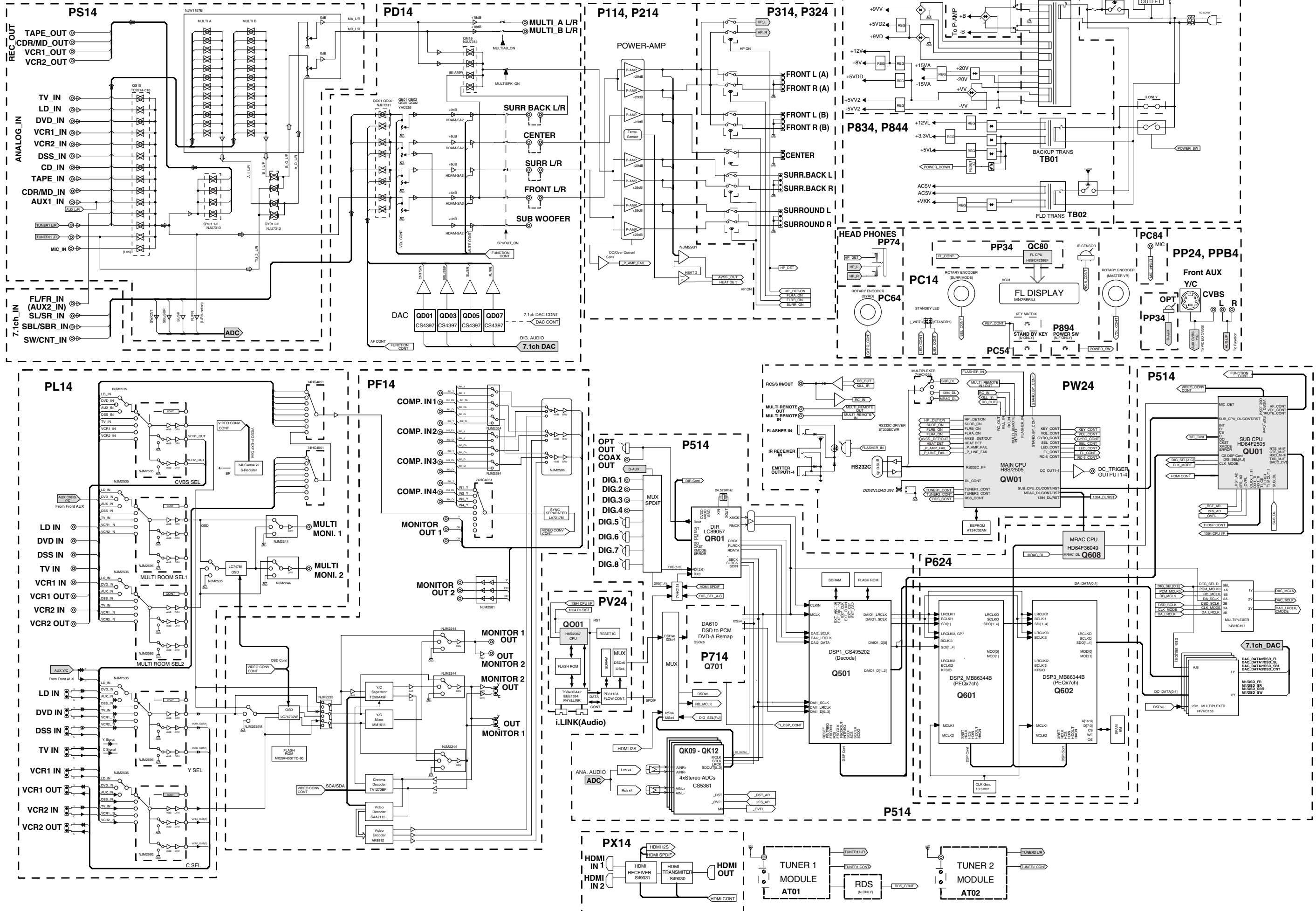


7. WIRING DIAGRAM



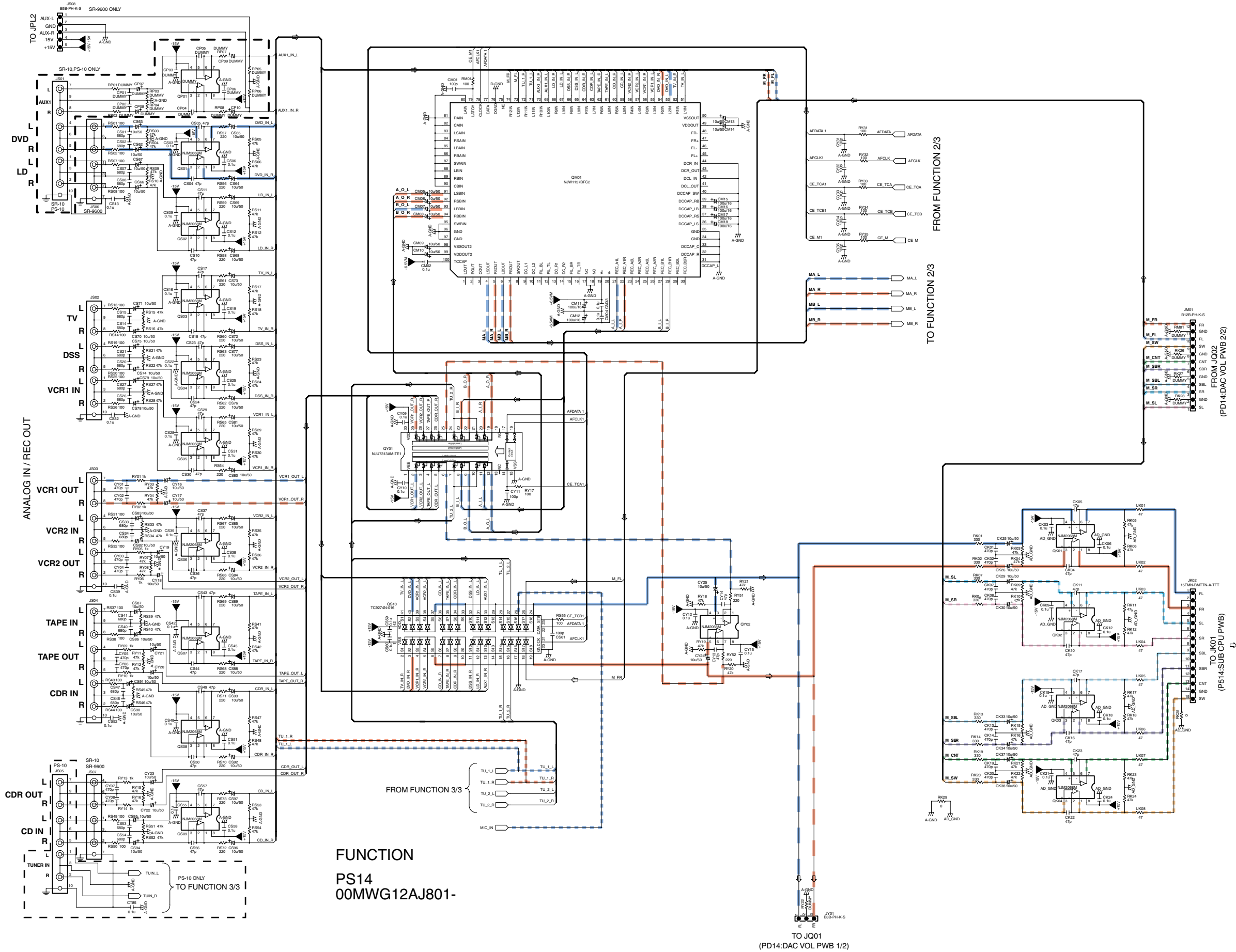
8. BLOCK DIAGRAM

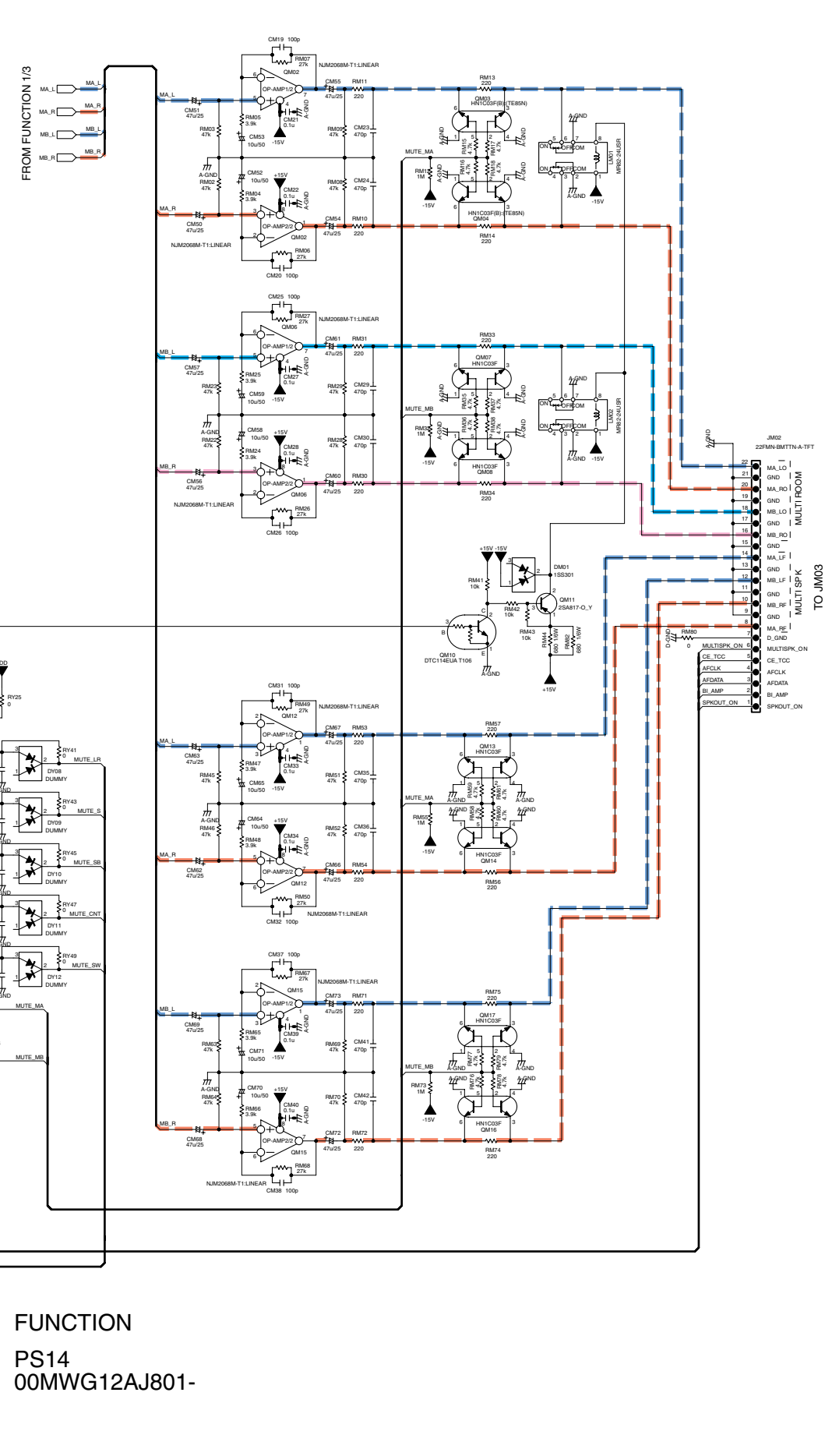
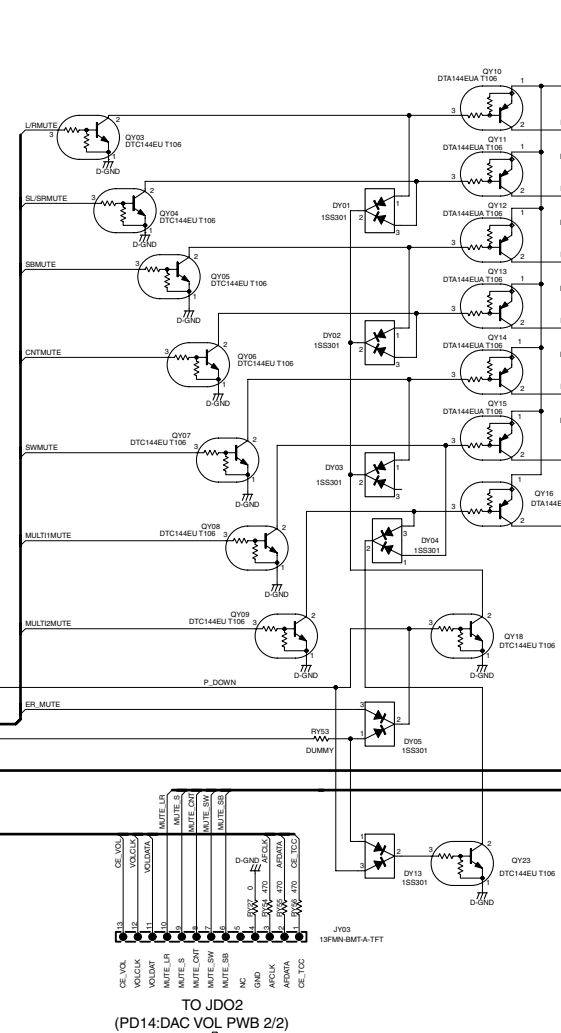
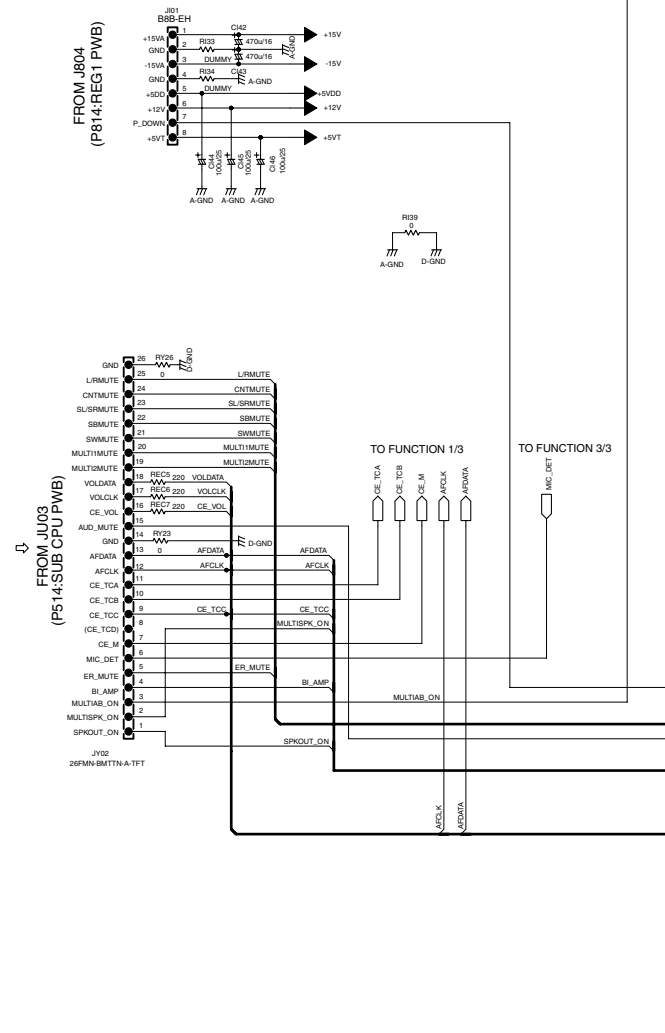
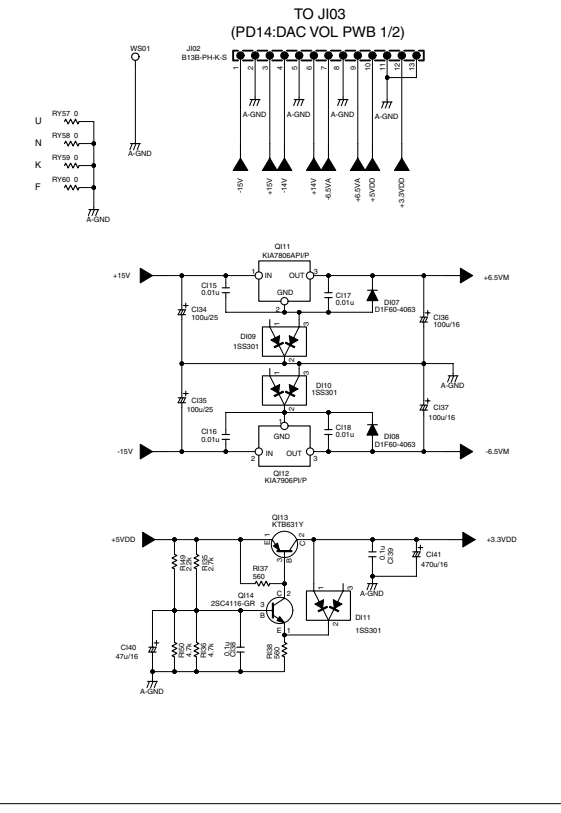
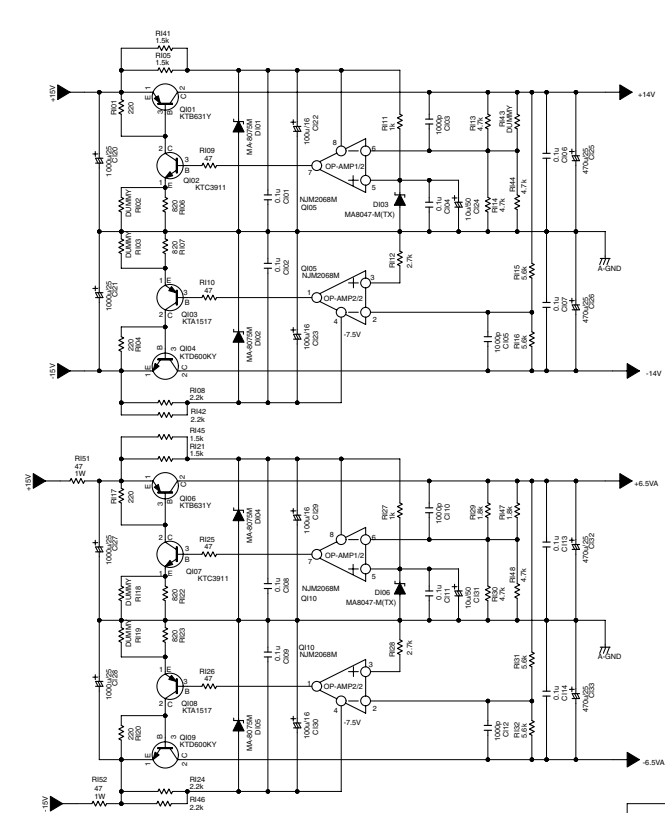


9. SCHEMATIC DIAGRAM

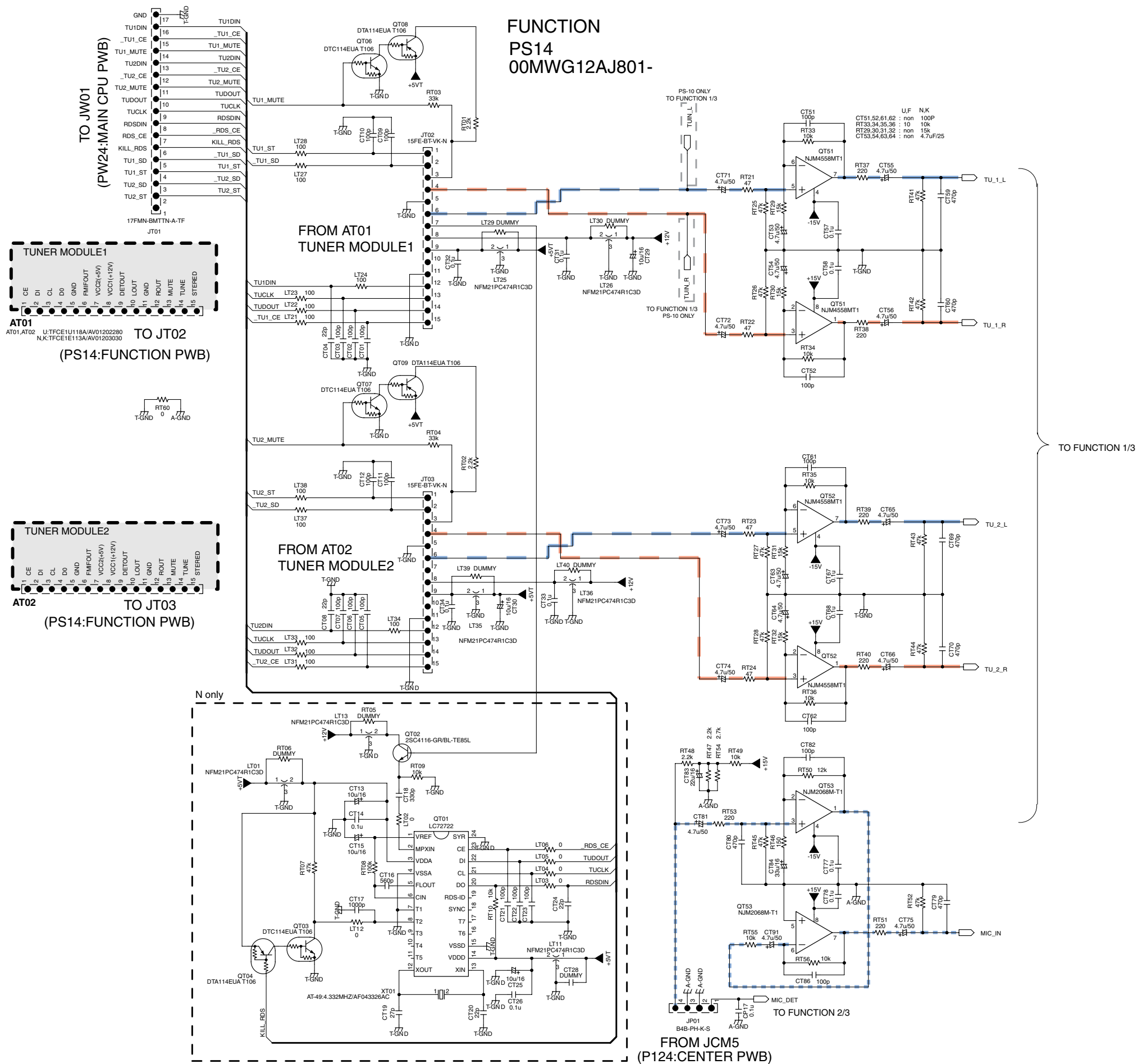
PS14 -1/3

(PP84 CONNECTION AUX PWB)





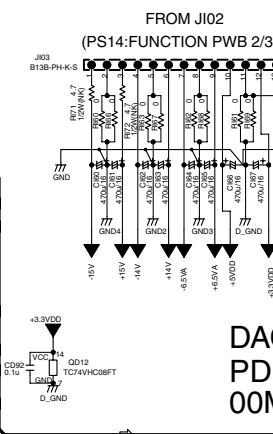
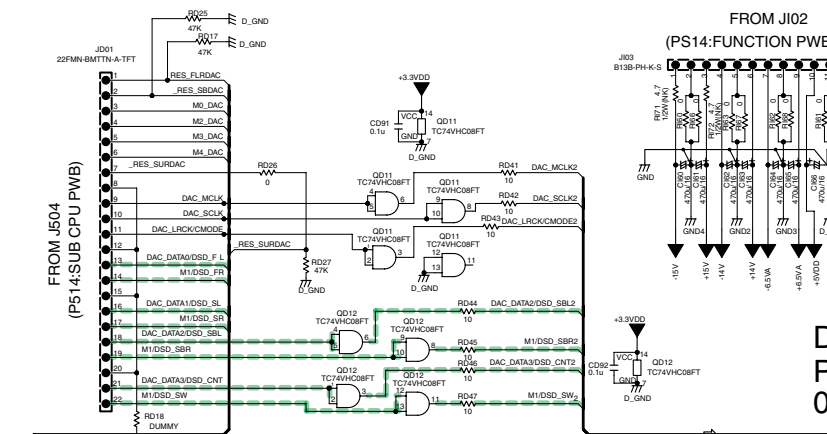
FUNCTION
PS14
00MWG12AJ801-



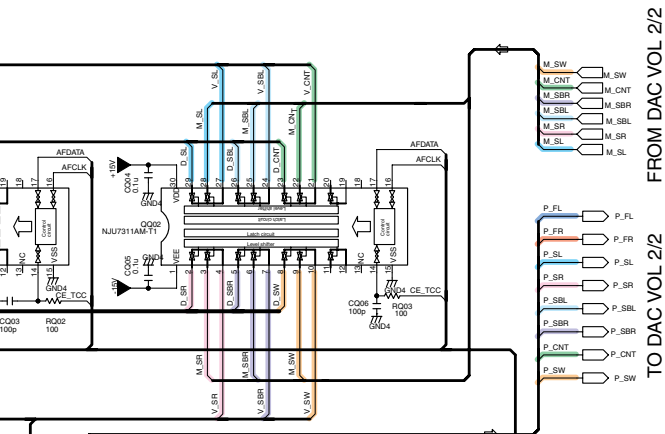
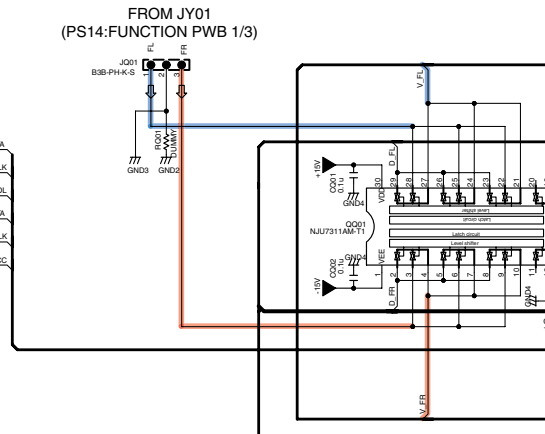
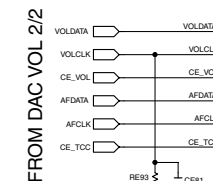
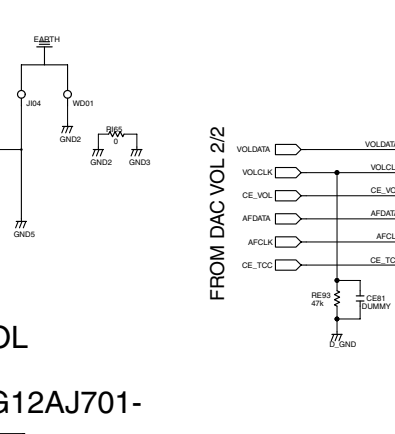
FUNCTION
PS14
00MWG12AJ801-

TO FUNCTION 1/3

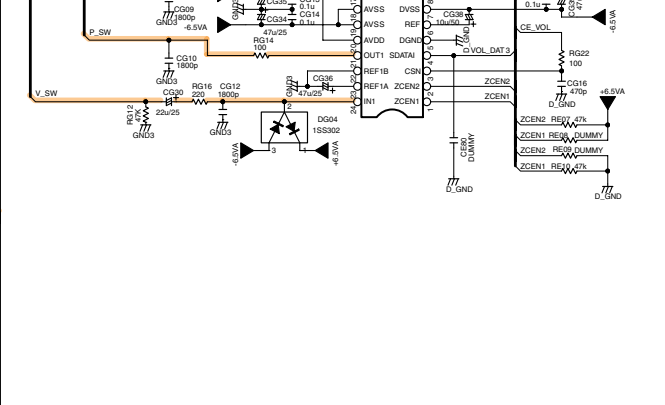
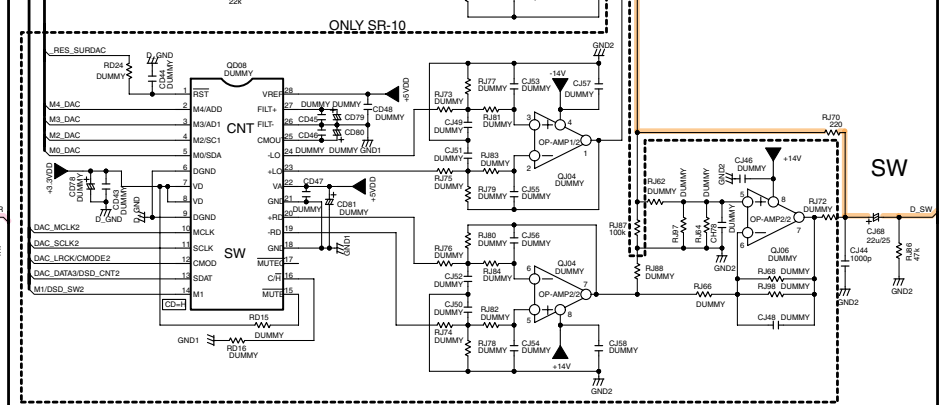
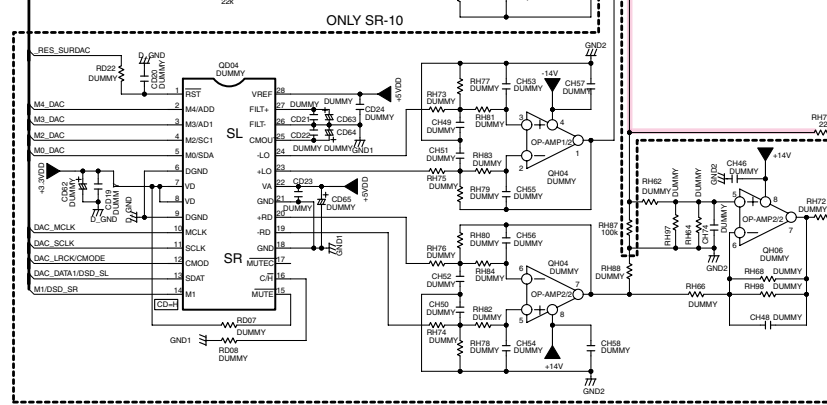
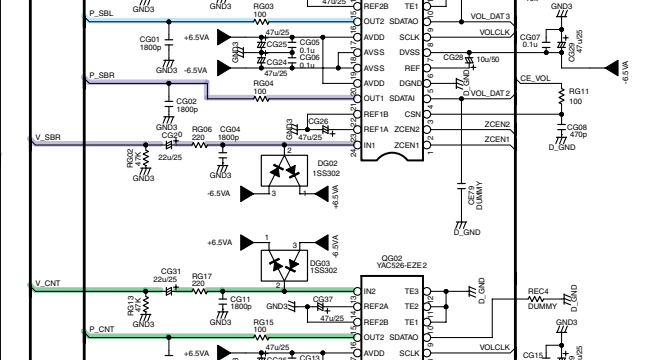
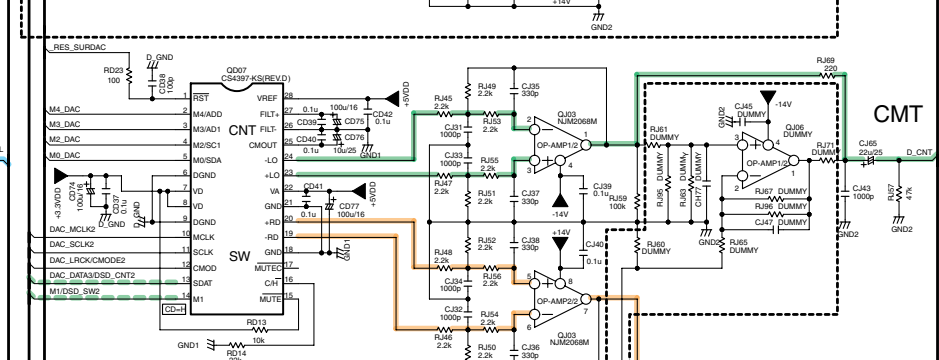
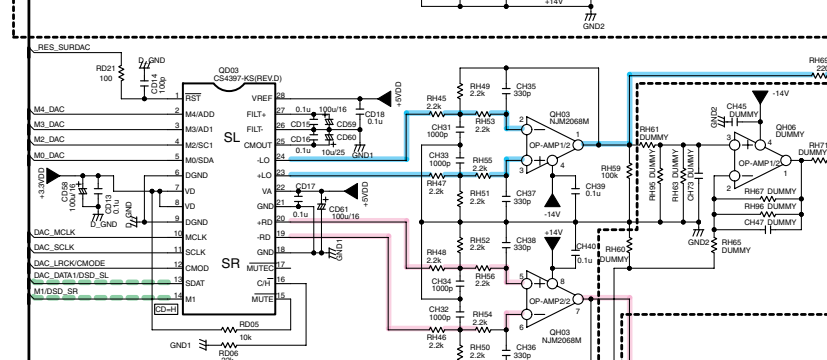
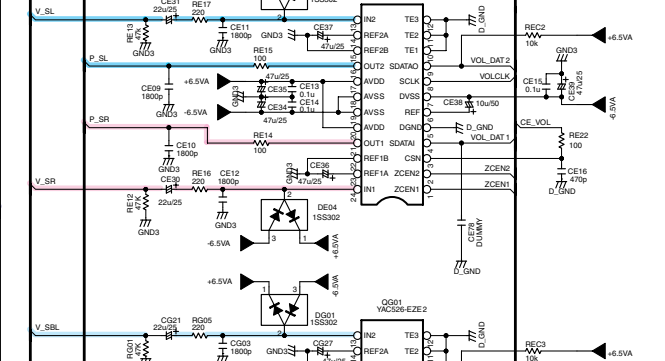
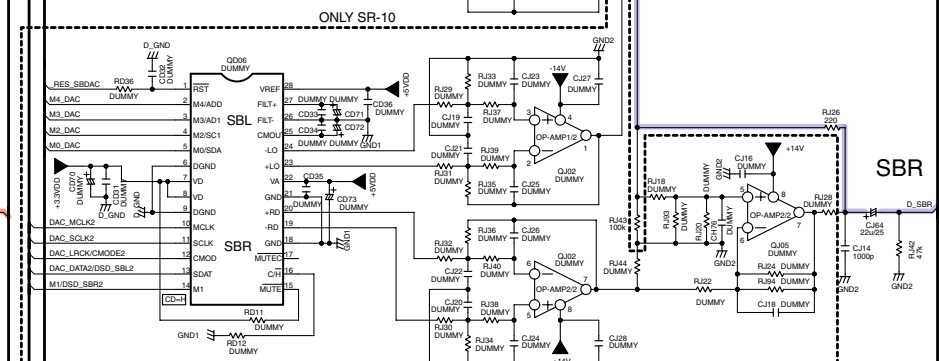
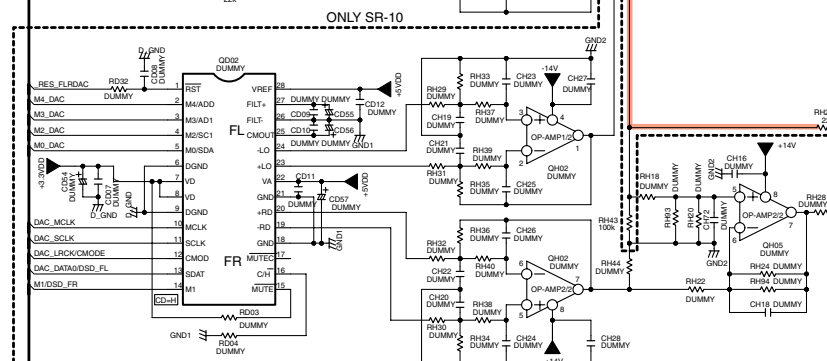
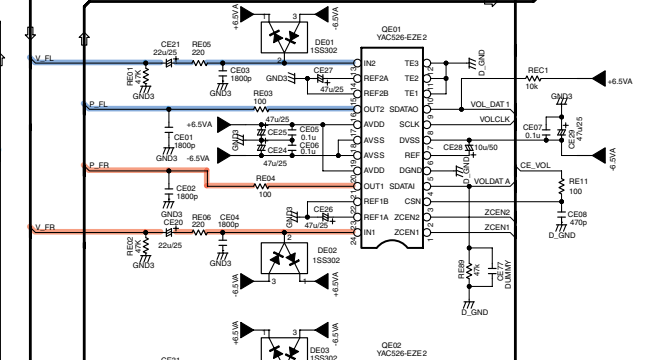
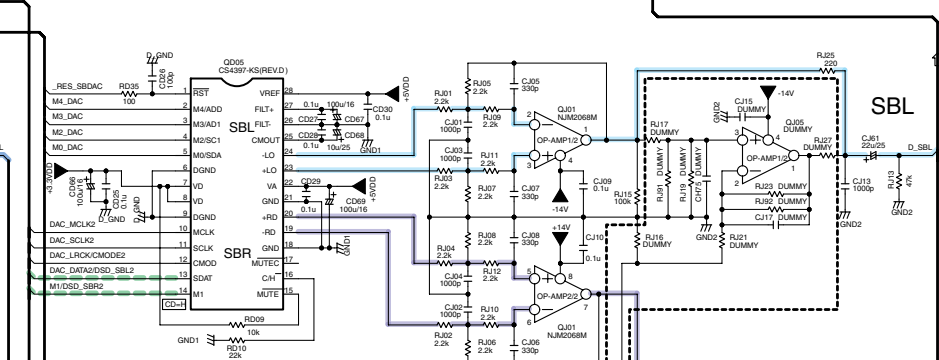
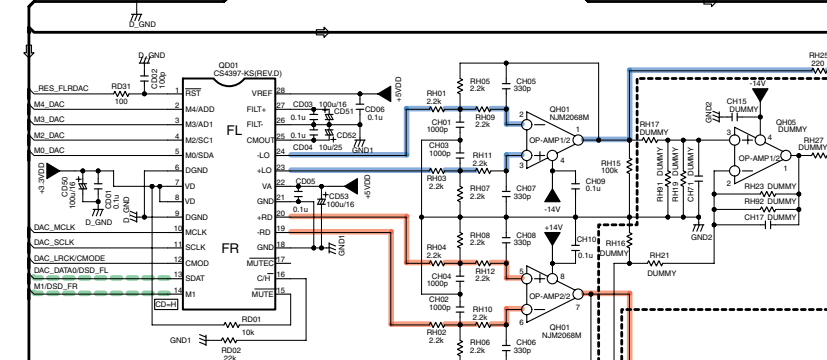
FROM JCM5
(P124: CENTER PWB)



DAC,VOL
PD14
00MWG12AJ701-



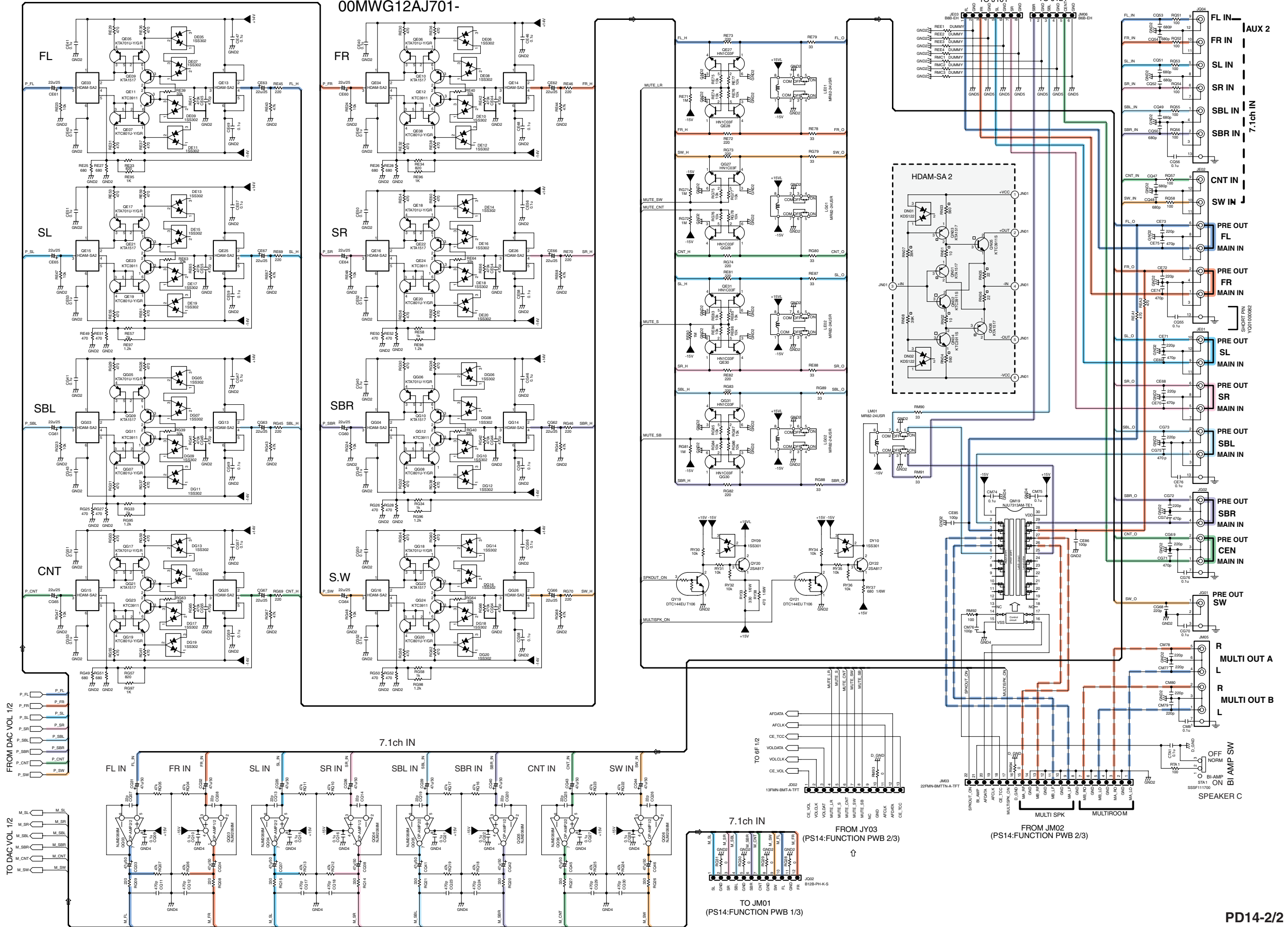
TO DAC VOL 2/2



PD14
00MWG12AJ701-

DAC VOL

(P114:POWER AMP1 PWB) (P214:POWER AMP2 PWB)
TO J101 TO J121



FROM DAC VOL 1/2
P_FL
P_FR
P_SL
P_SR
P_SBL
P_SBR
P_CNT
P_SW

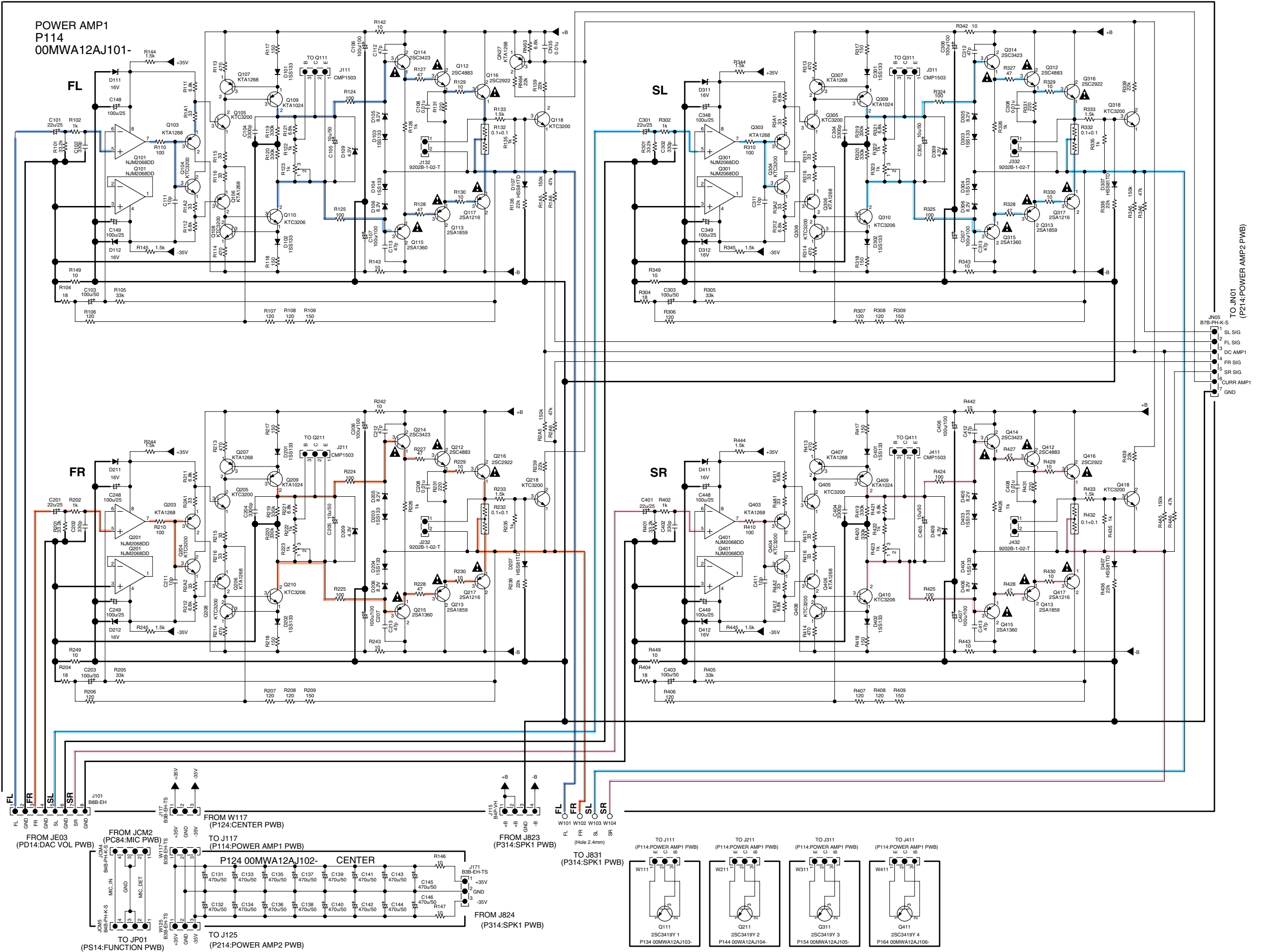
TO DAC VOL 1/2
M_SL
M_SR
M_SBL
M_SBR
M_CNT
M_SW

7.1ch IN

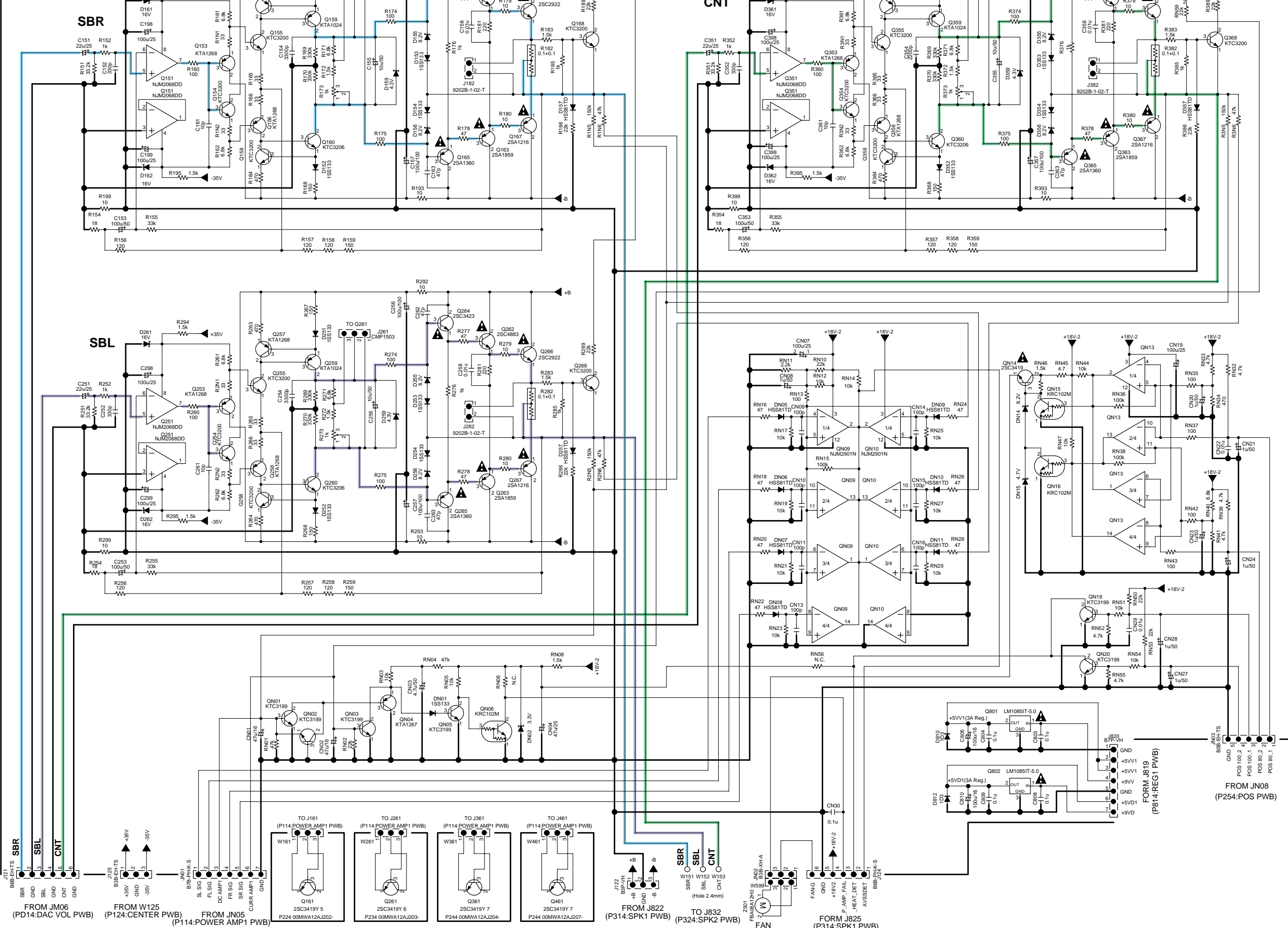
7.1ch IN
TO JM01
(PS14:FUNCTION PWB 1/3)

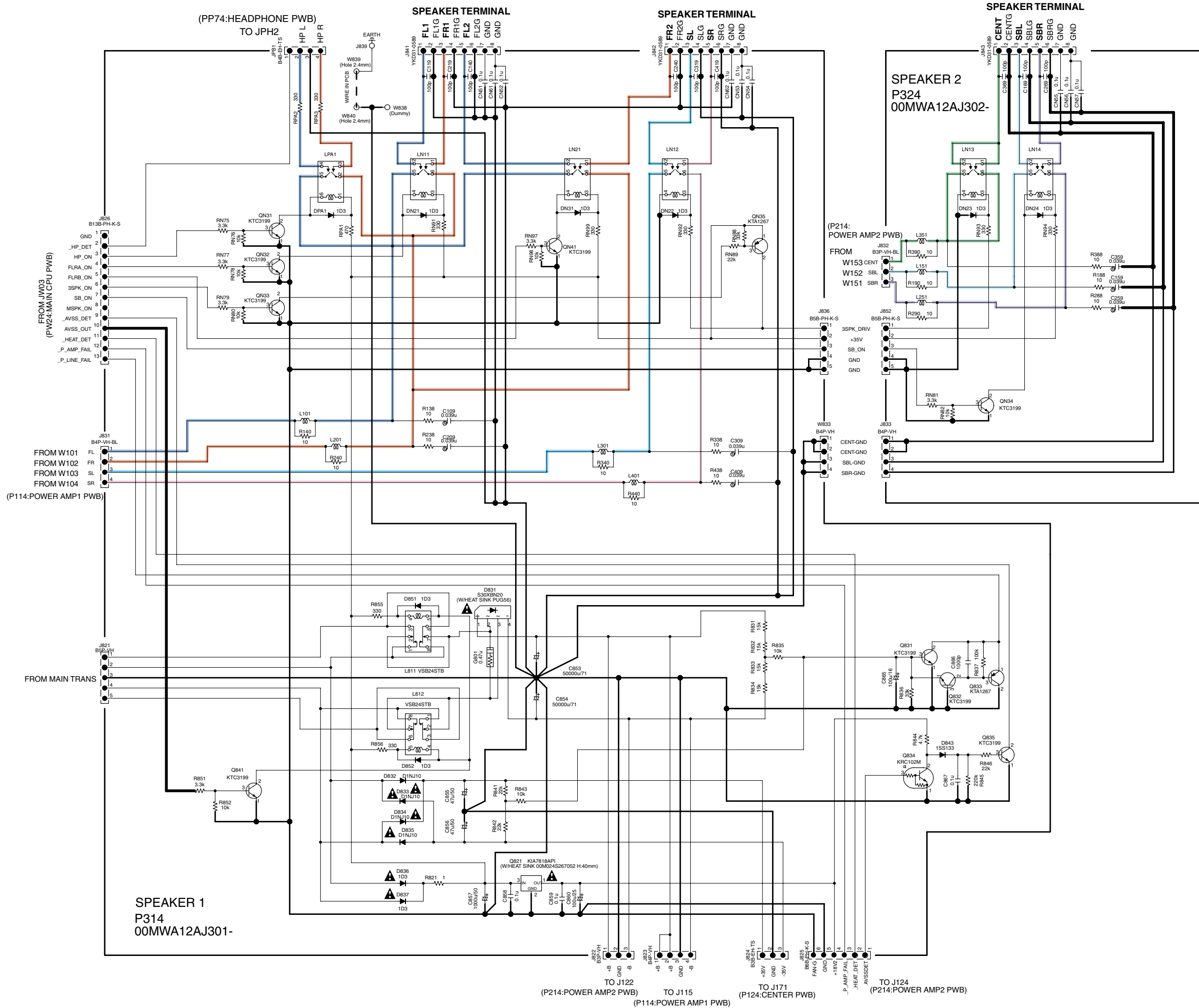
TO JY03
(PS14:FUNCTION PWB 2/3)

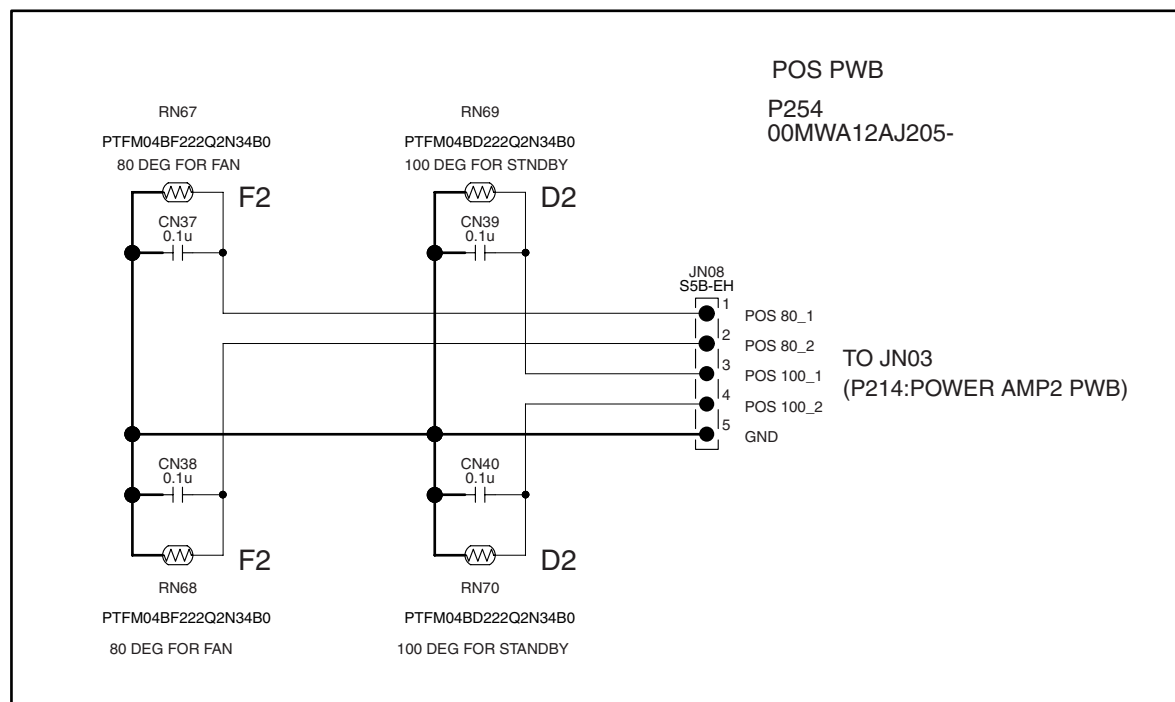
FROM JM02
(PS14:FUNCTION PWB 2/3)



POWER AMP2
P214
00MWA12AJ201-

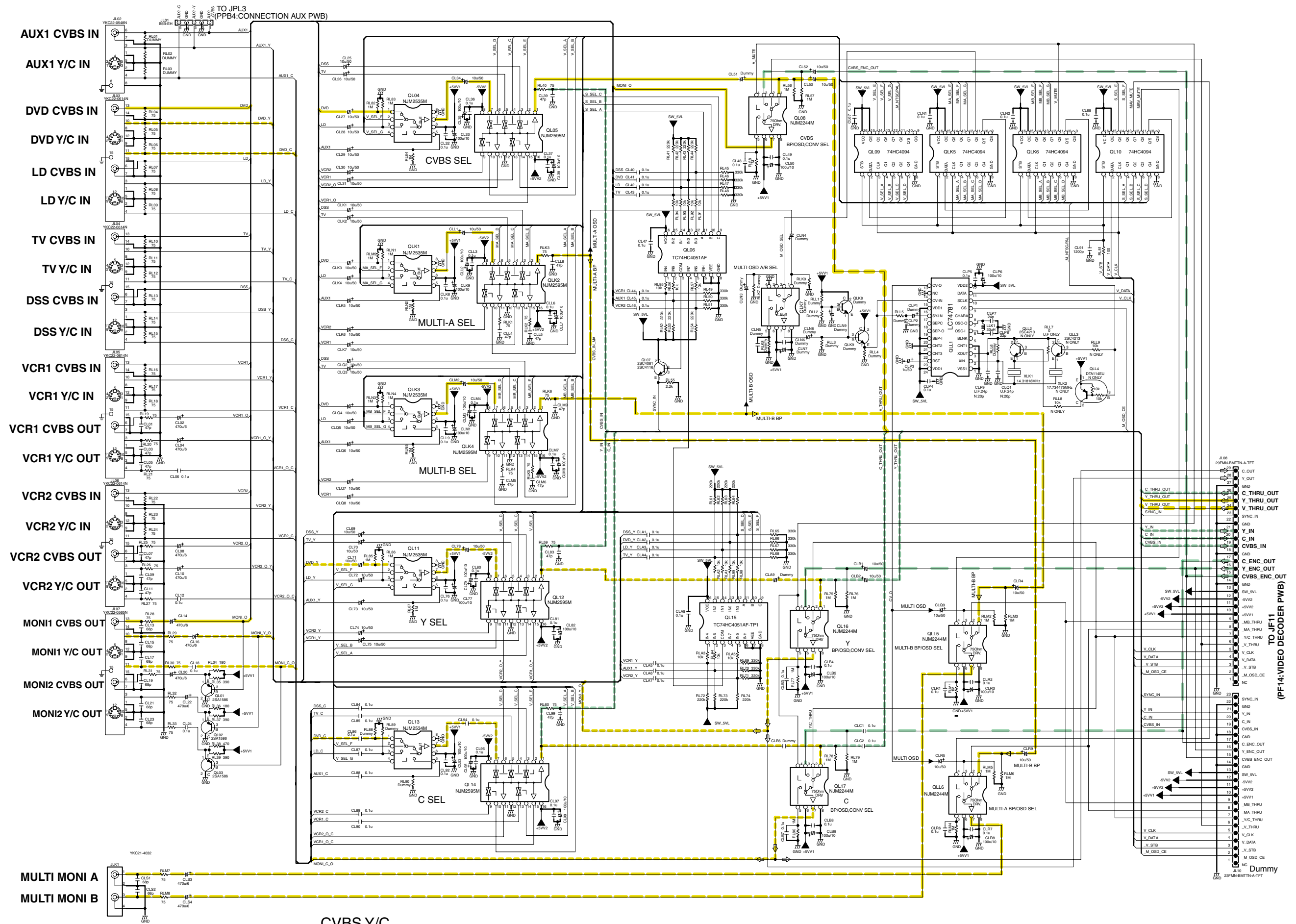




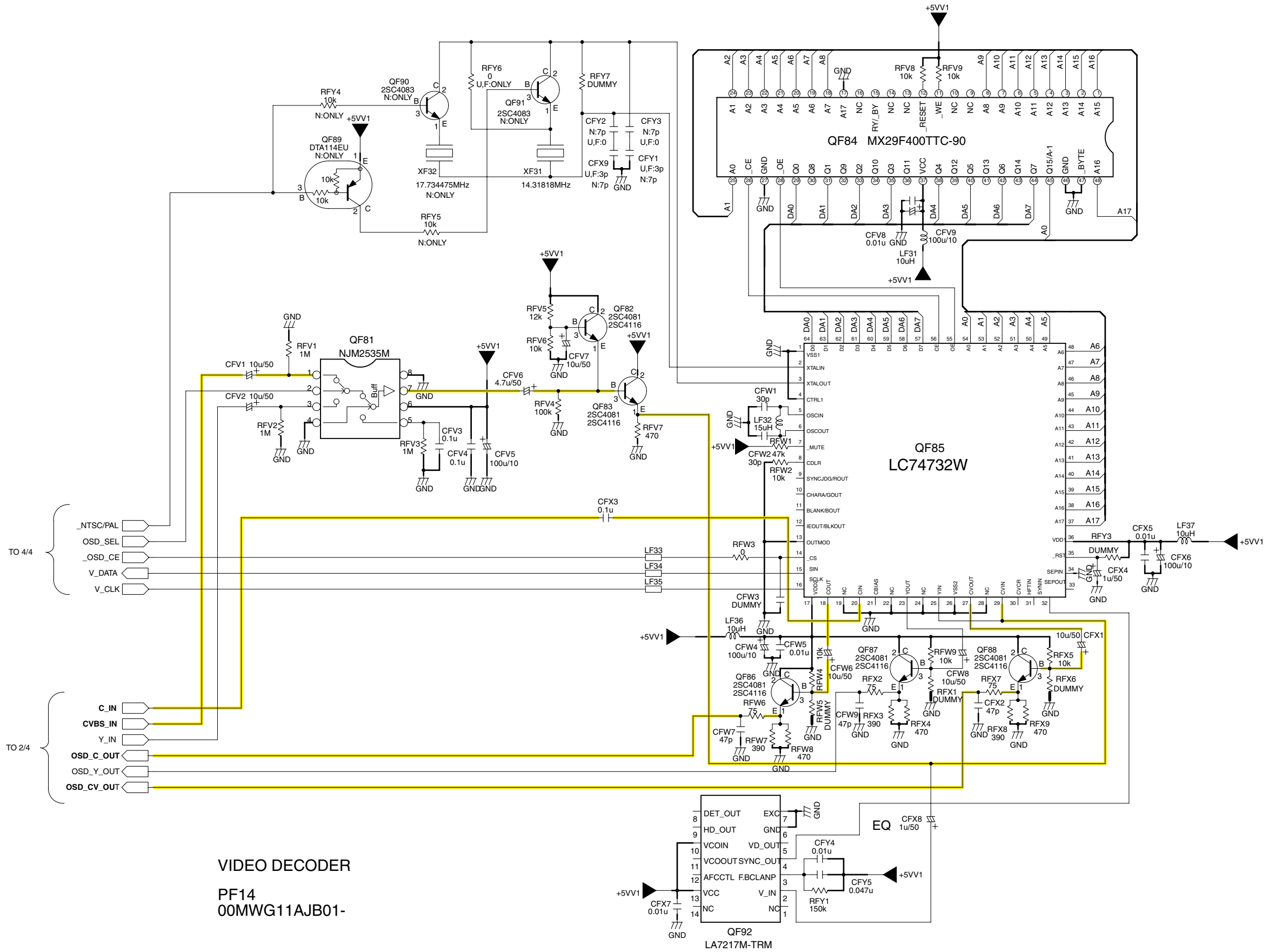


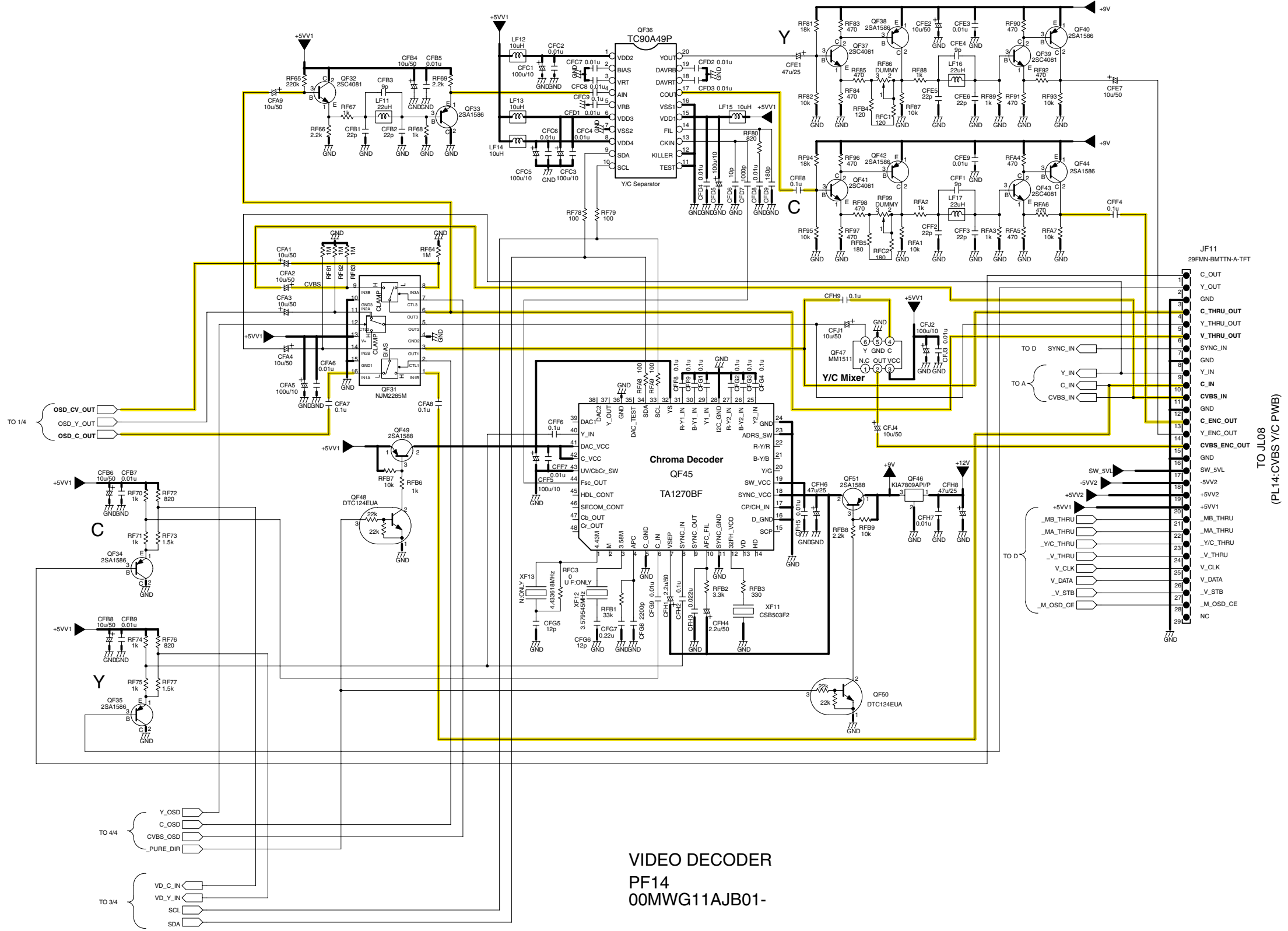
H-PROTECT PWB
P264
00MWA12AJ206-

Only PWB

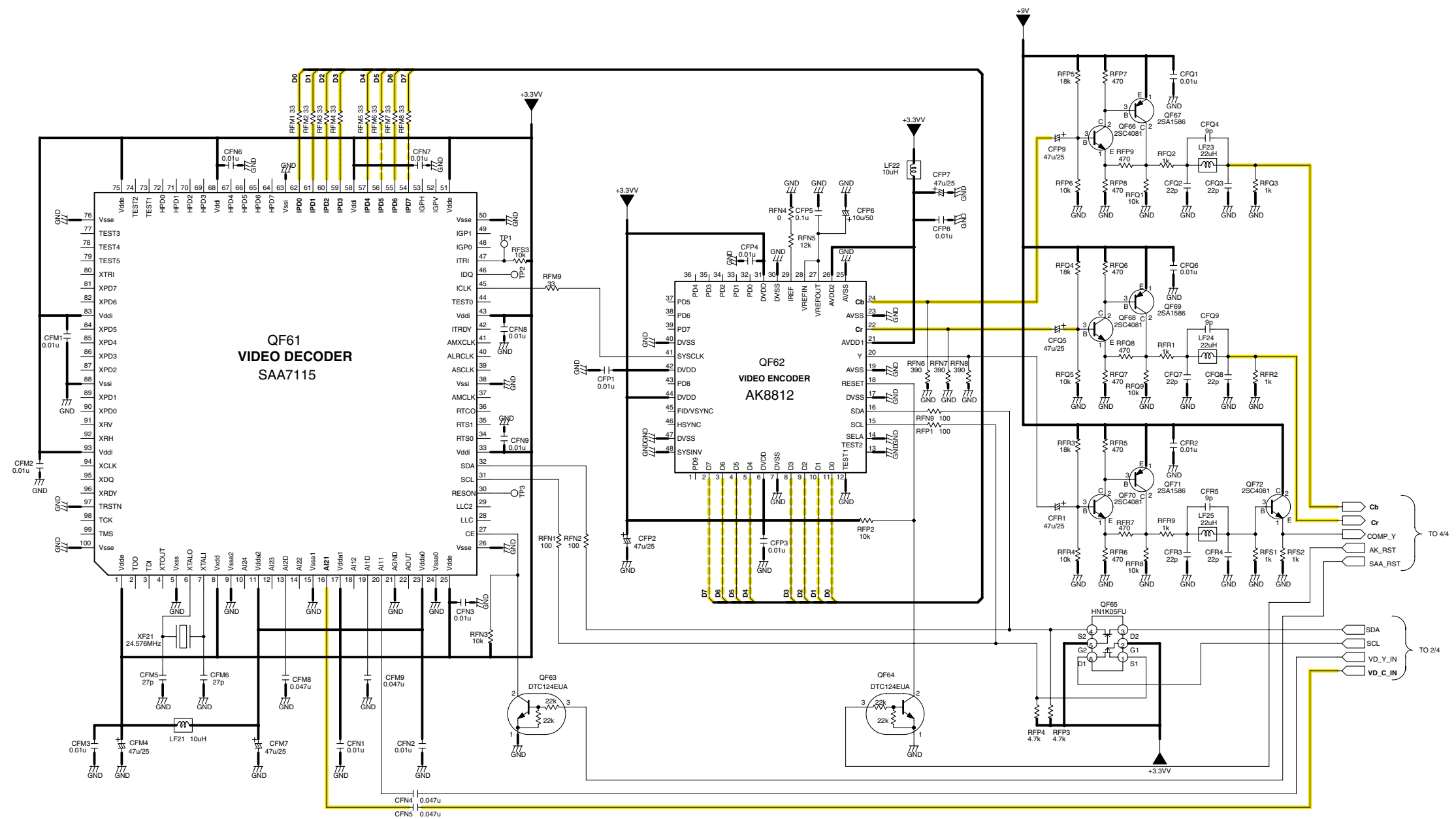


CVBS Y/C
PL14
00MVG12AJ501-

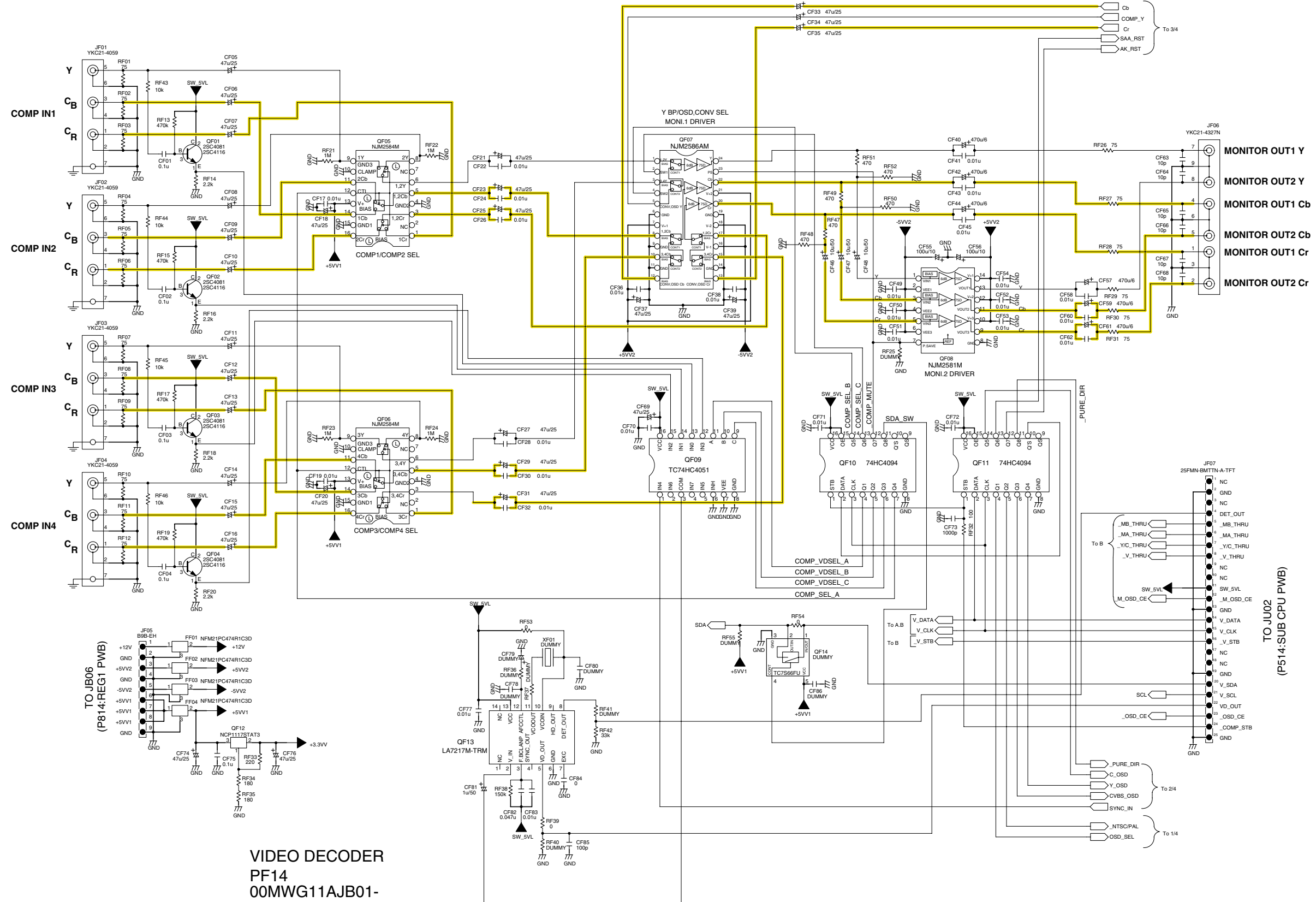


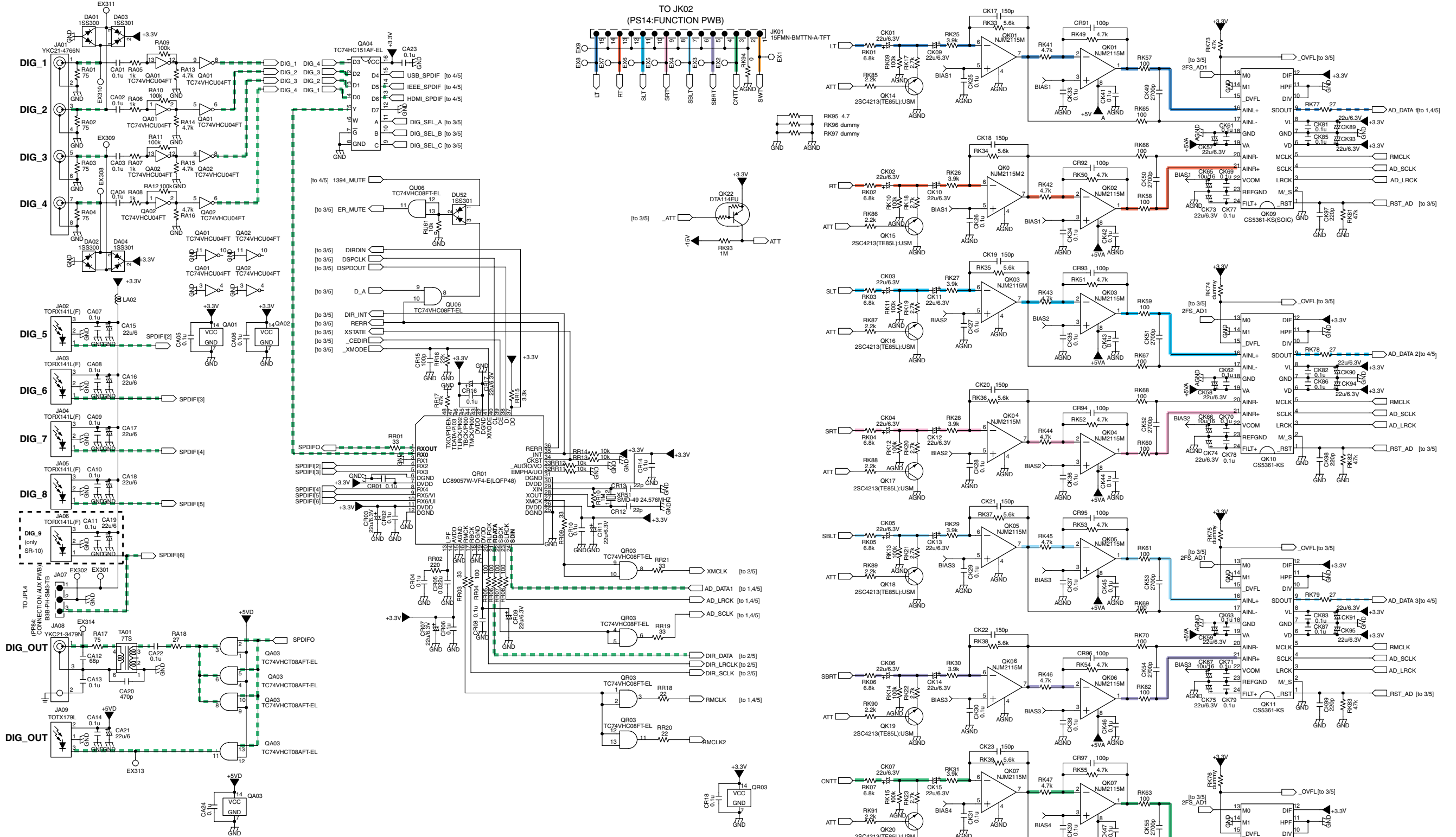


VIDEO DECODER
 PF14
 00MWG11AJB01-



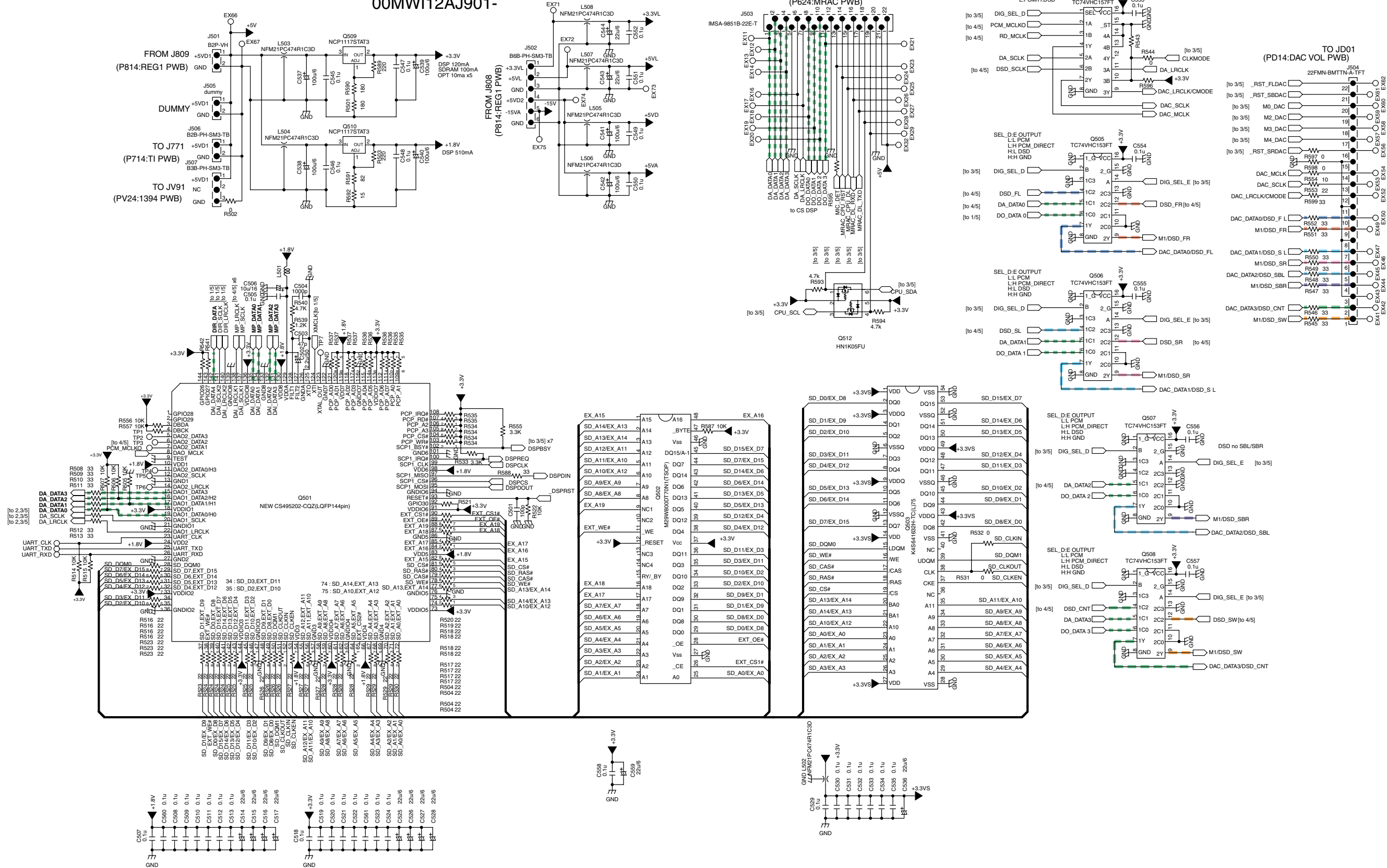
VIDEO DECODER
PF14
00MWG11AJB01-



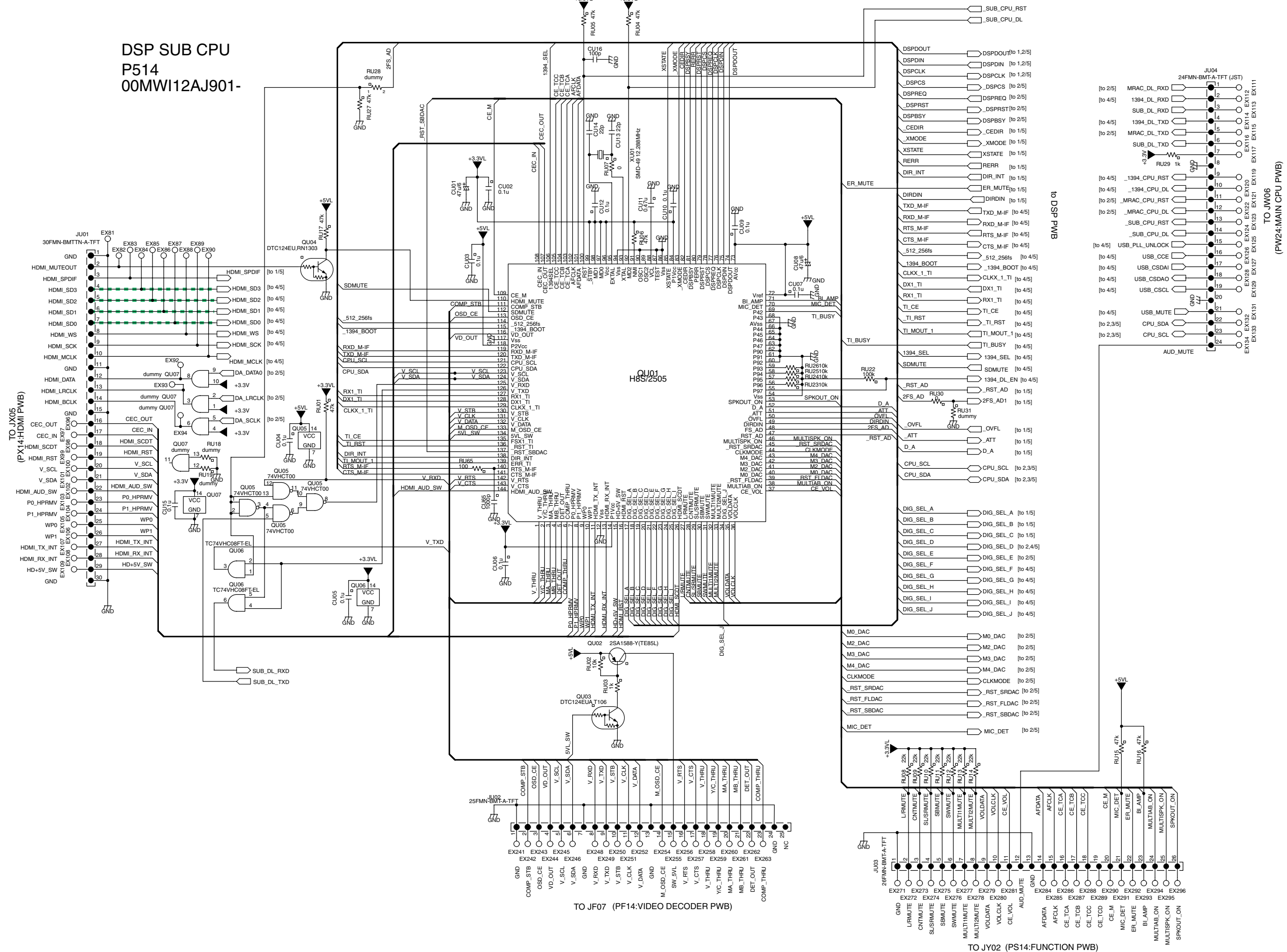


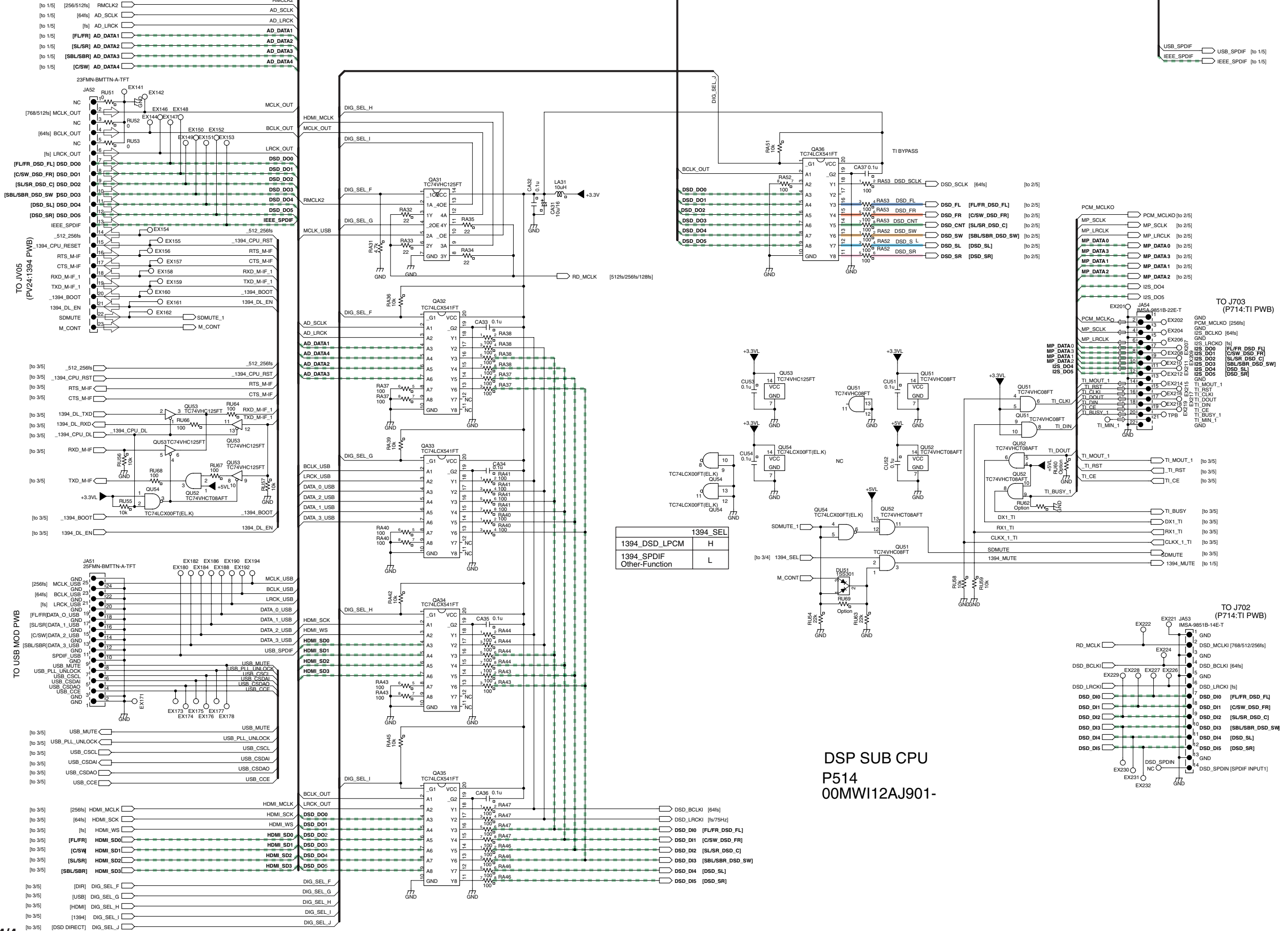
DSP SUB CPU
P514
00MW12AJ901-

DSP SUB CPU P514 00MWI12AJ901-



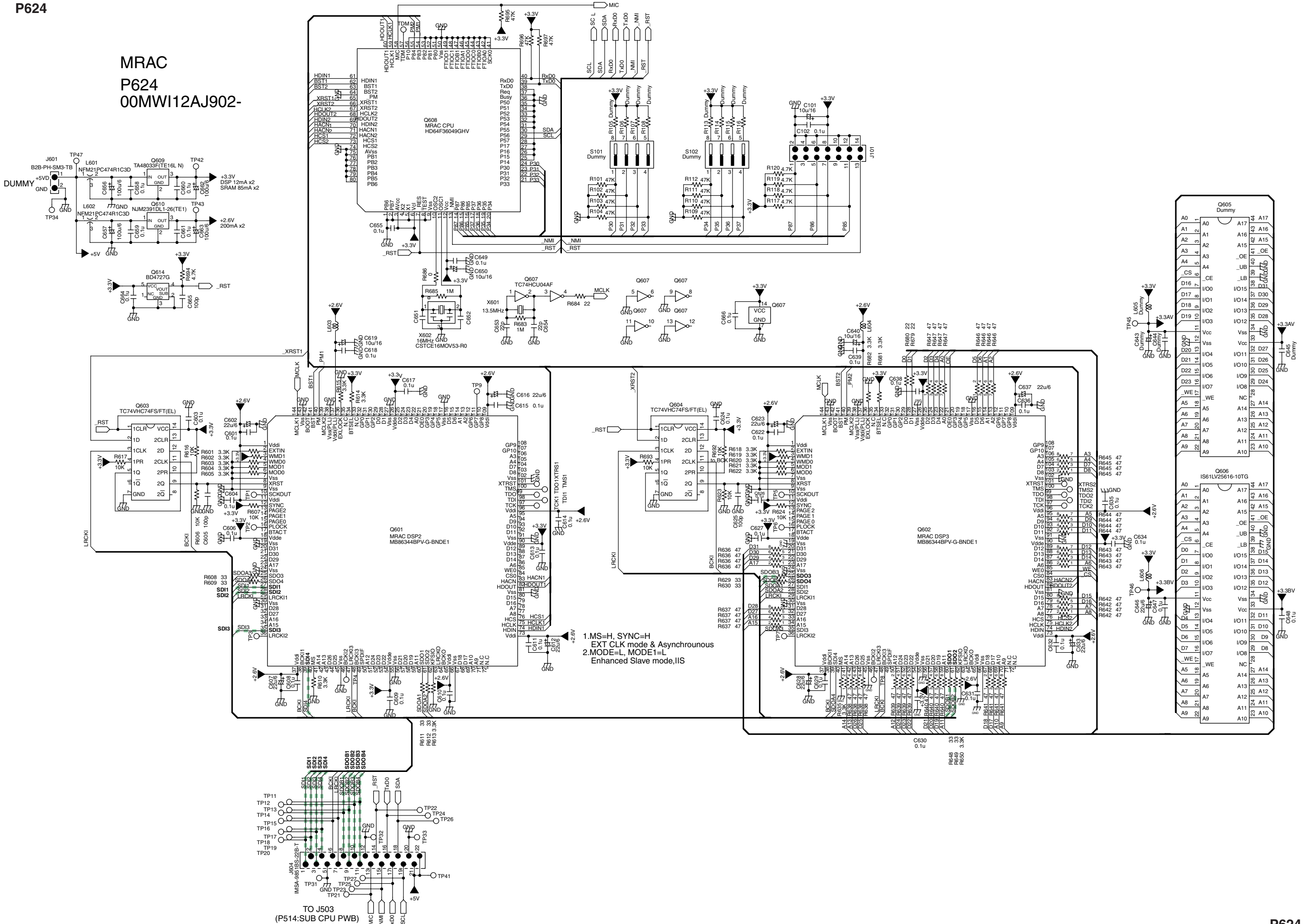
DSP SUB CPU P514 00MWI12AJ901-





DSP SUB CPU
P514
00MWI12AJ901-

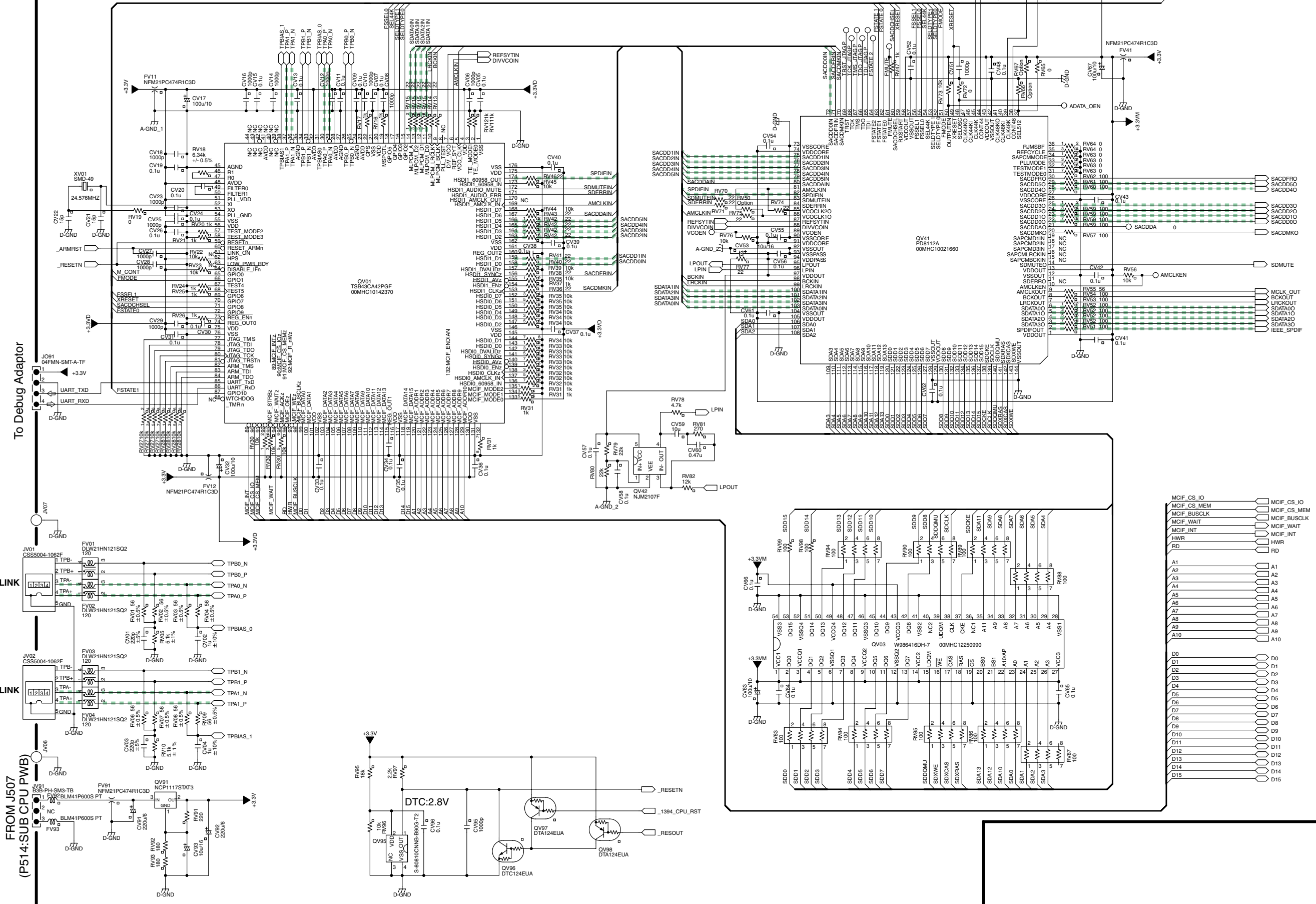
MRAC
P624
00MWI12AJ902-

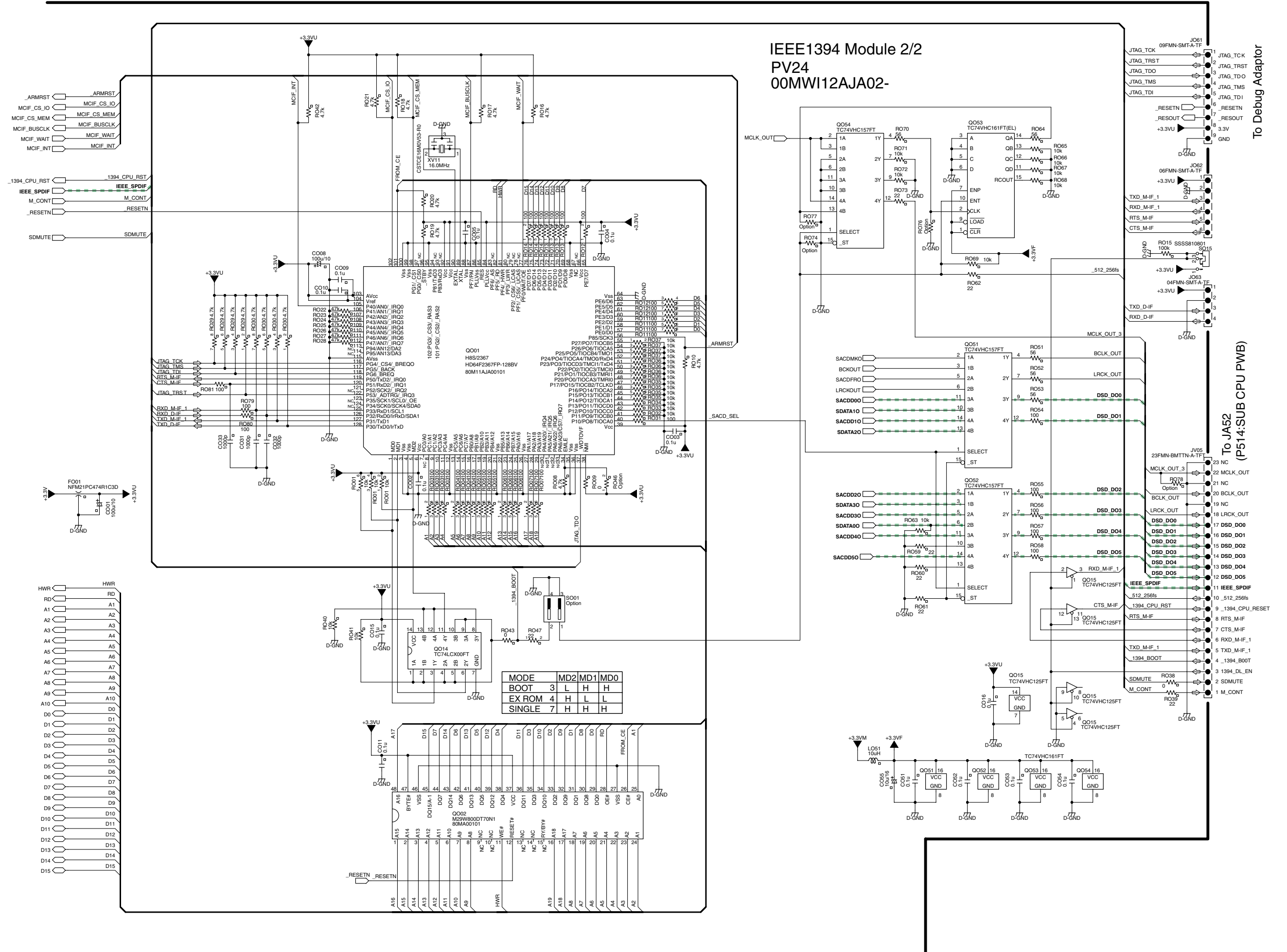


TO J503
(P514:SUB CPU PWB)

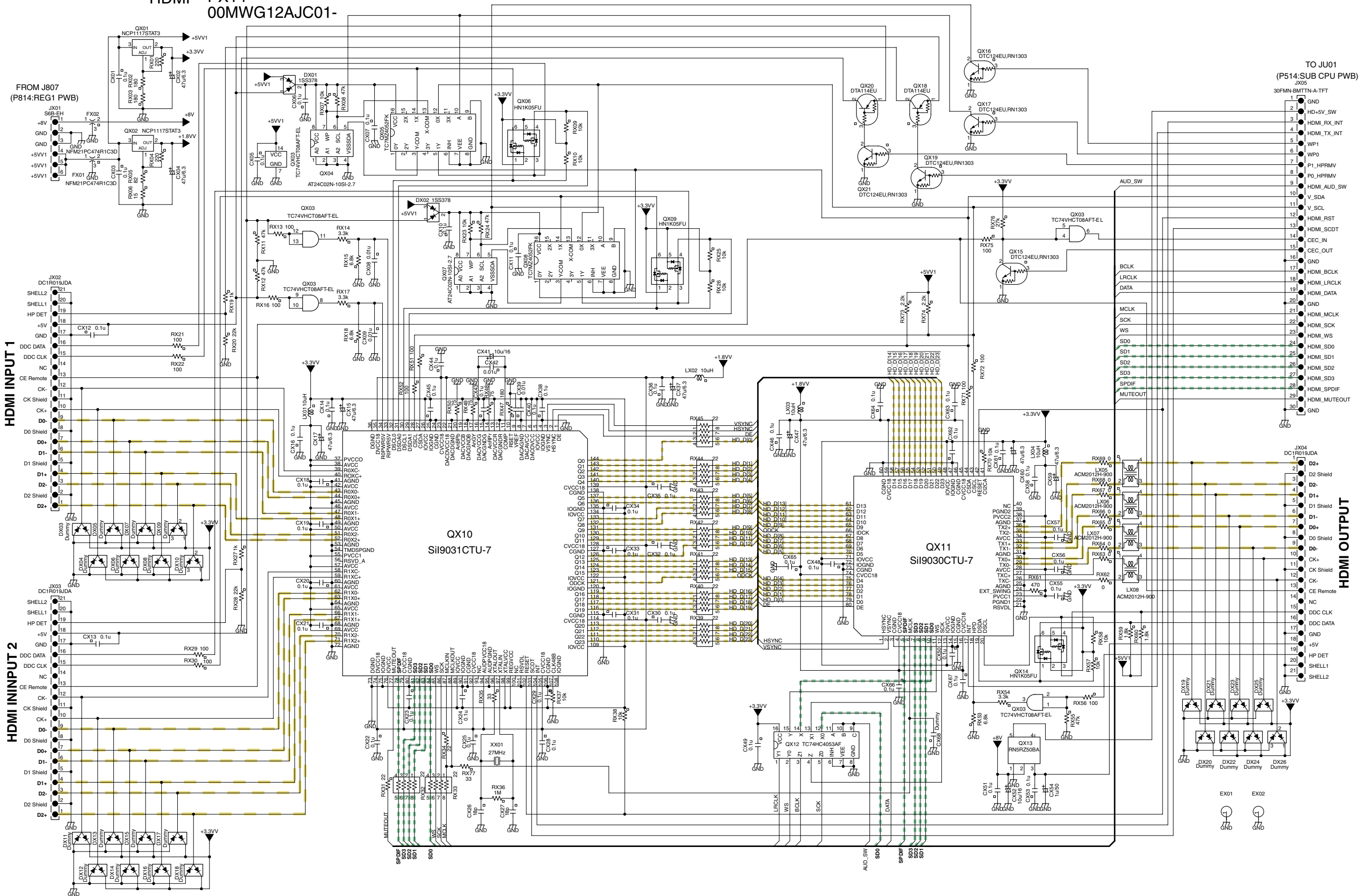
IEEE1394 Module 1/2

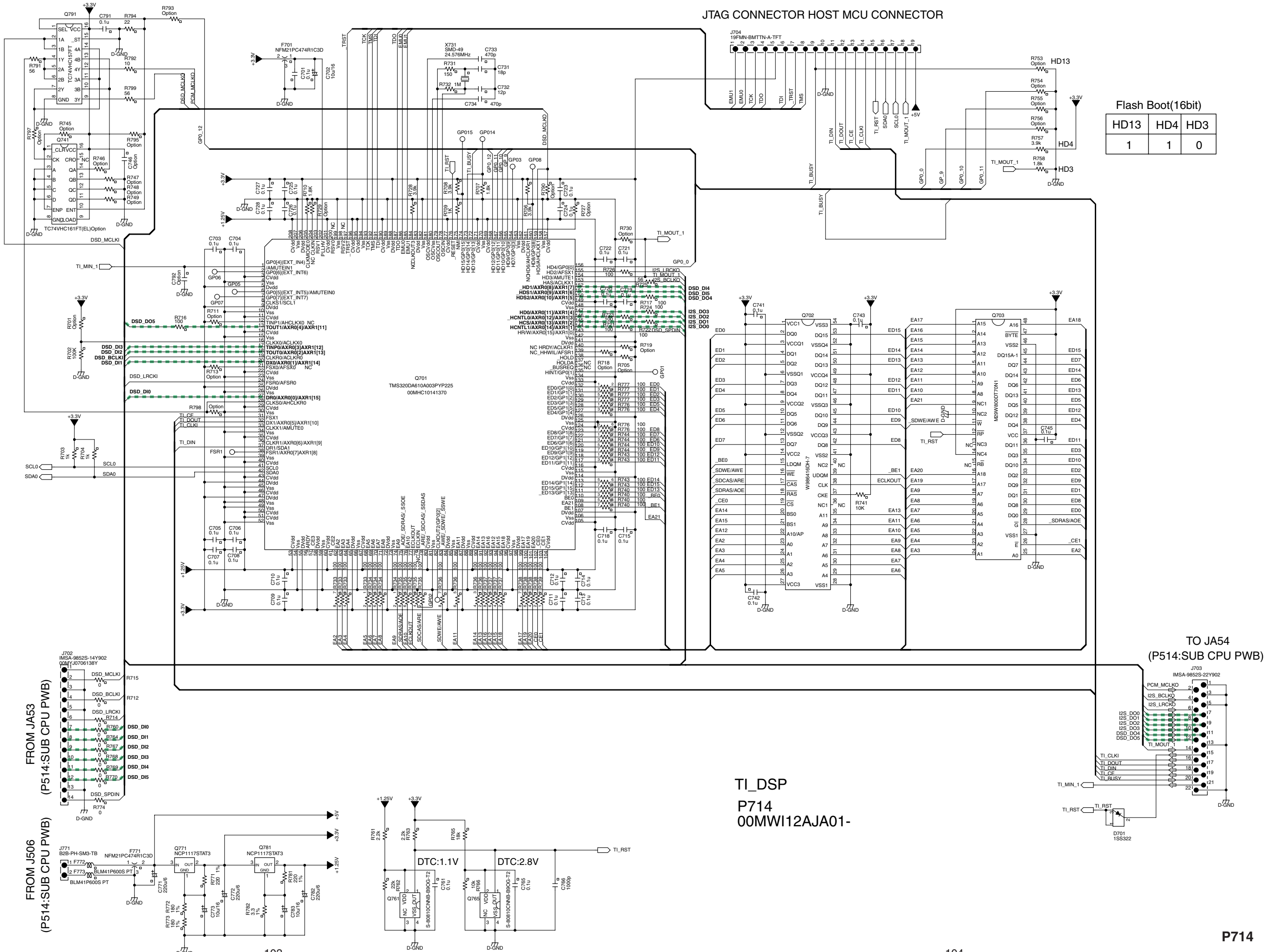
PV24 00MWI12AJA02-





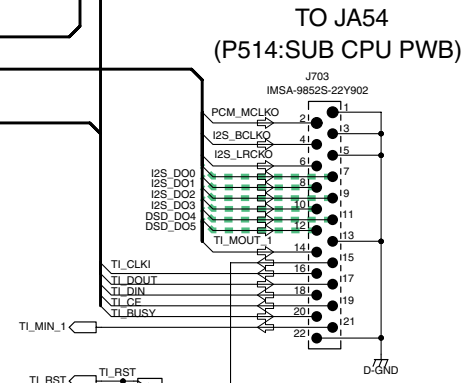
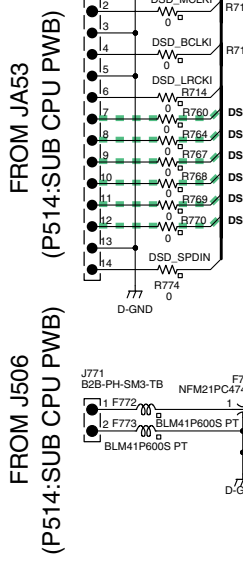
HDMI PX14 00MWWG12AJC01-



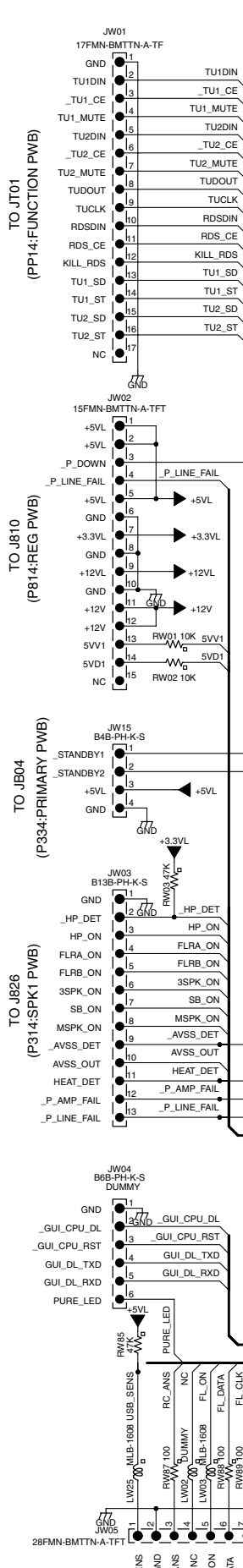


Flash Boot(16bit)

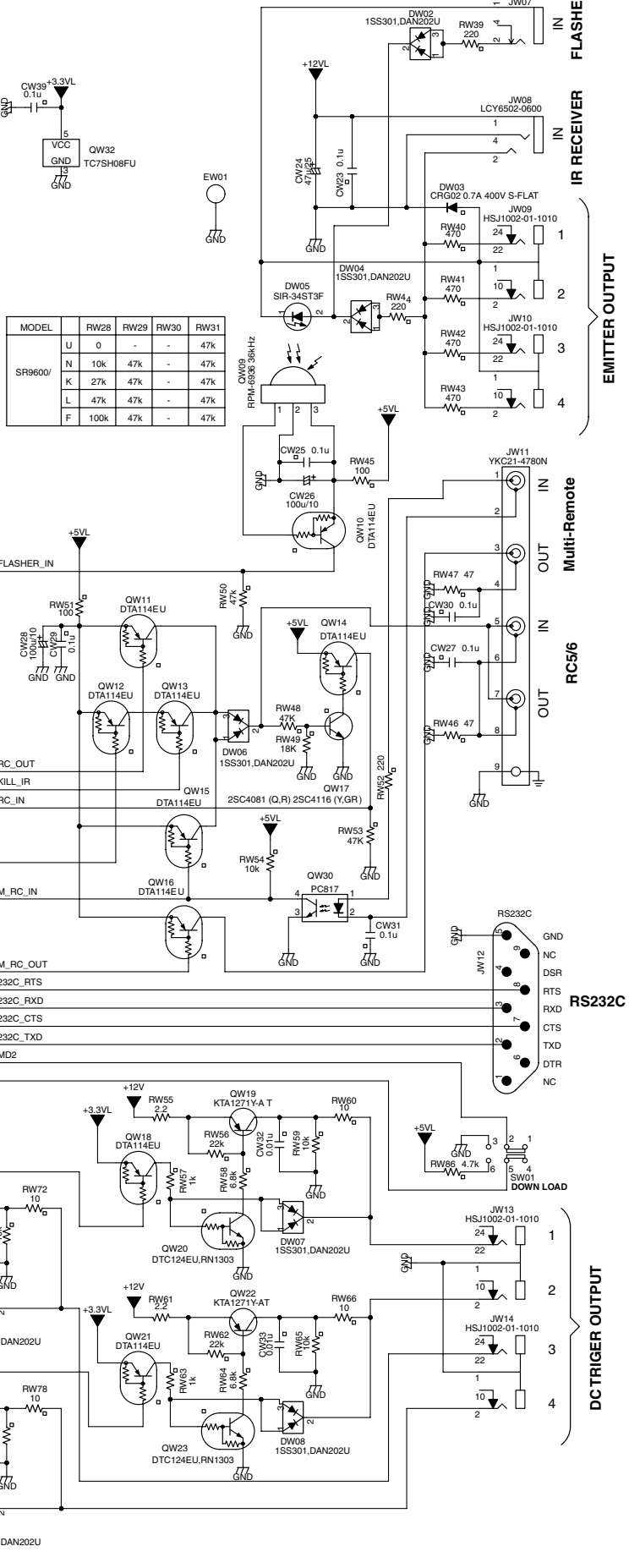
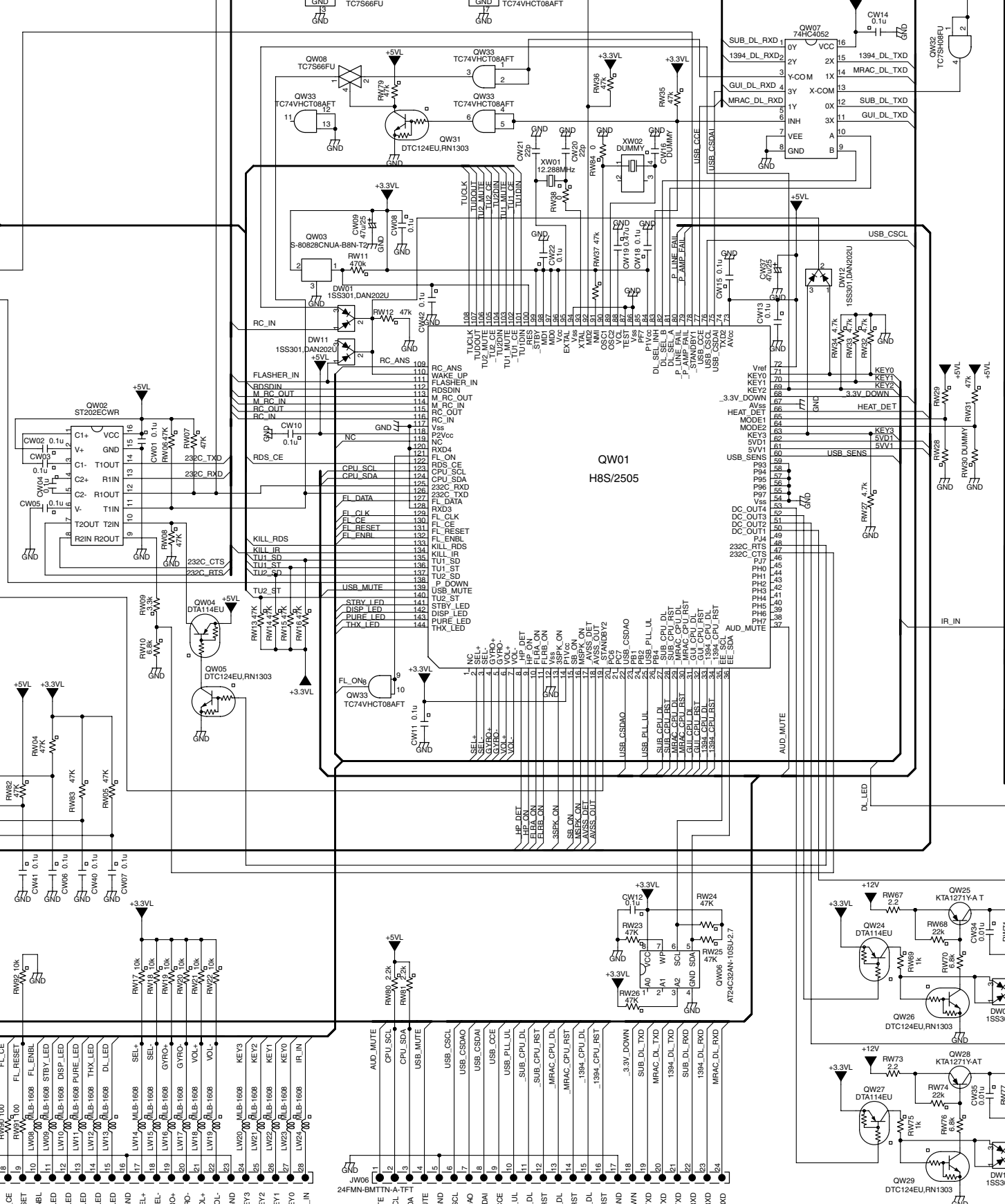
HD13	HD4	HD3
1	1	0

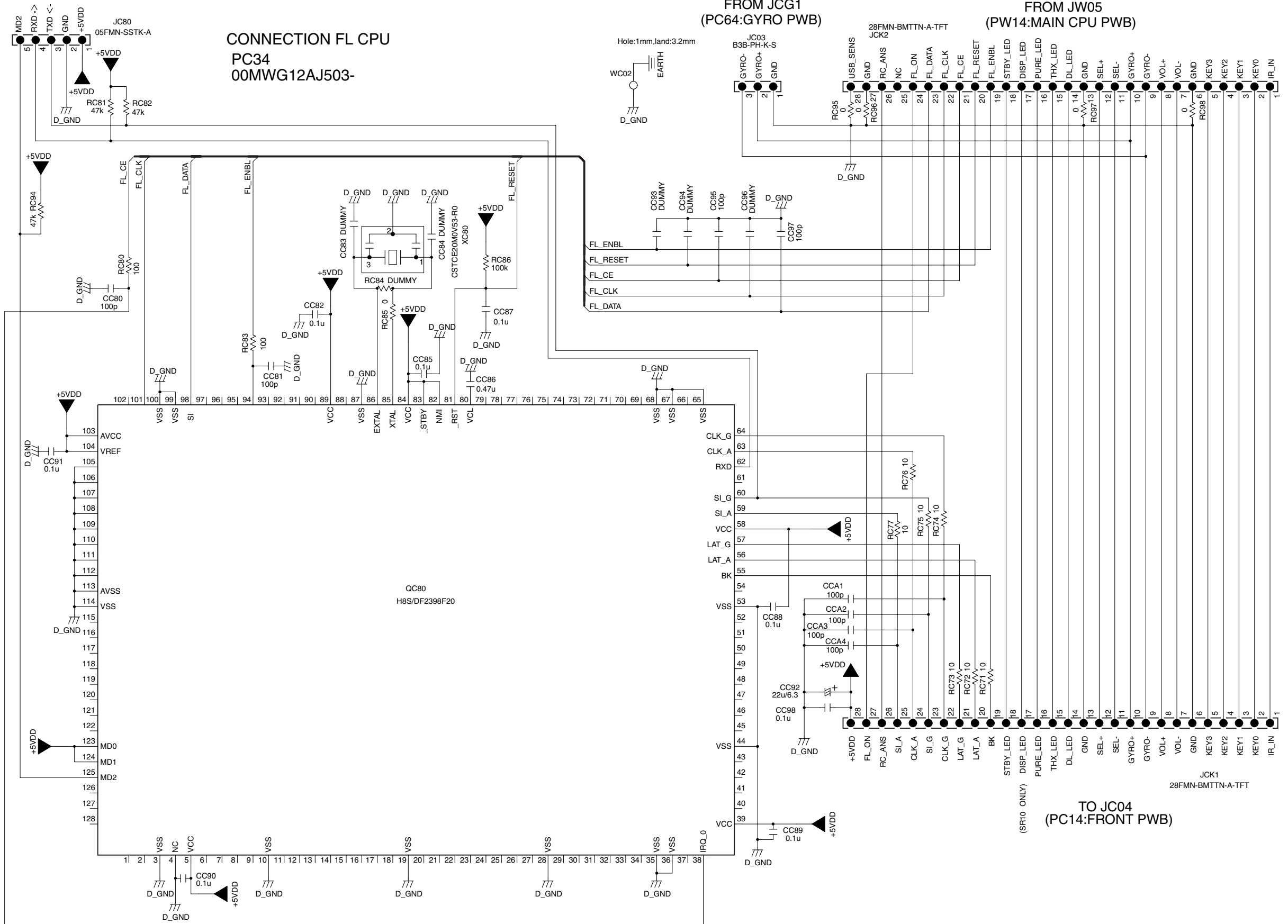


TI_DSP
P714
00MWI2AJA01-



**MAIN CPU
PW24
00MWG12AJ502-**



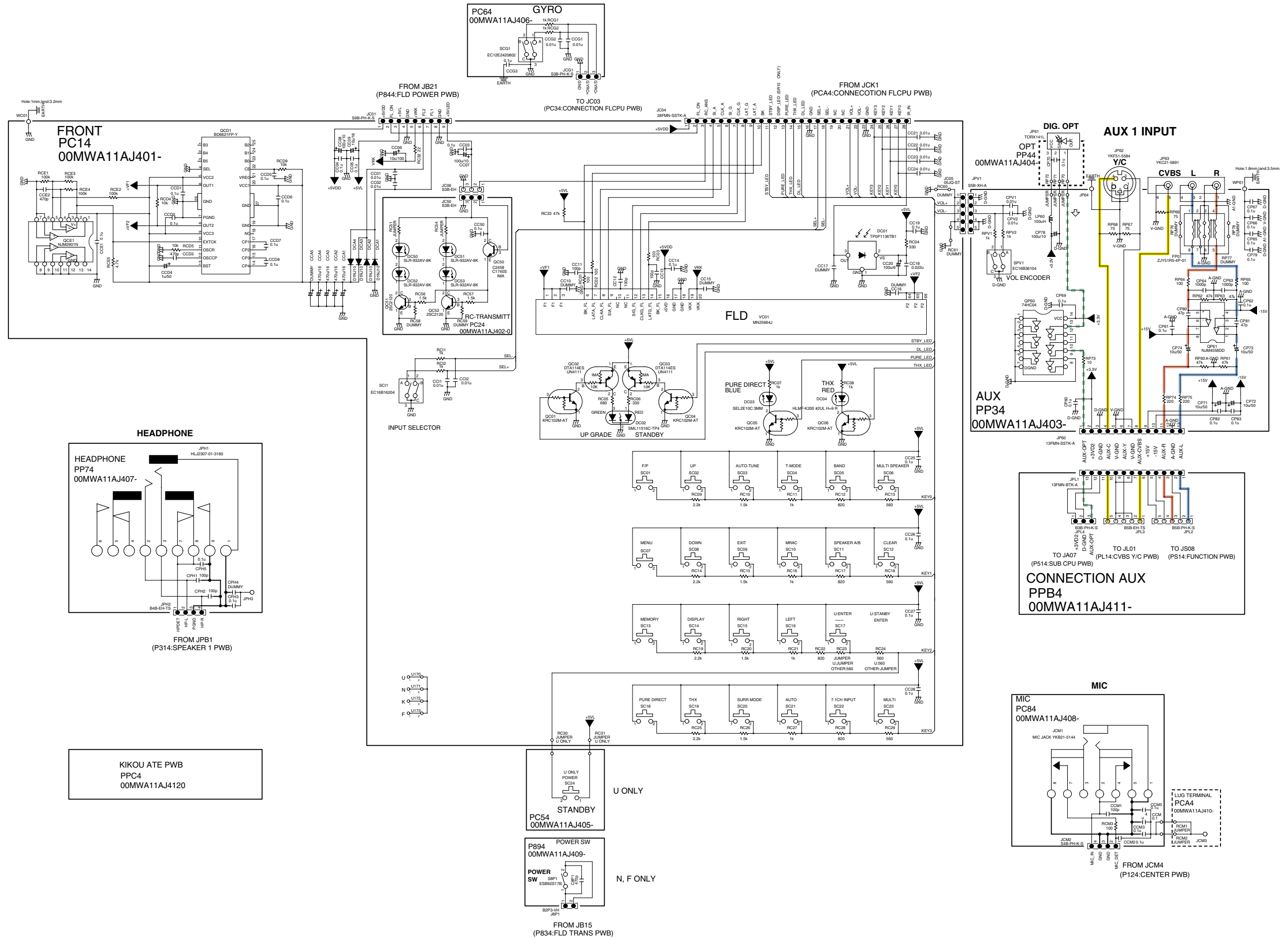


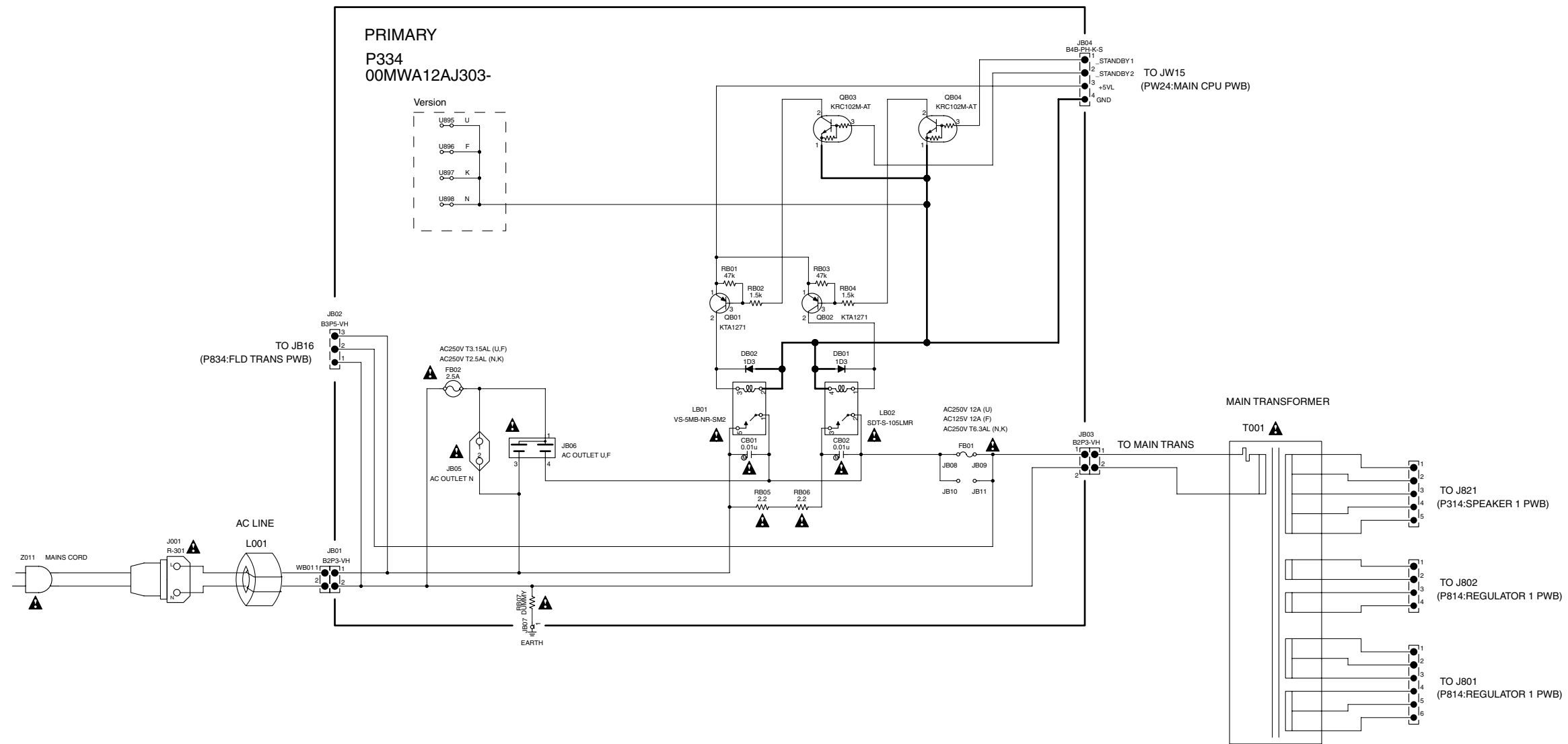
CONNECTION FL CPU
PC34
00MWG12AJ503-

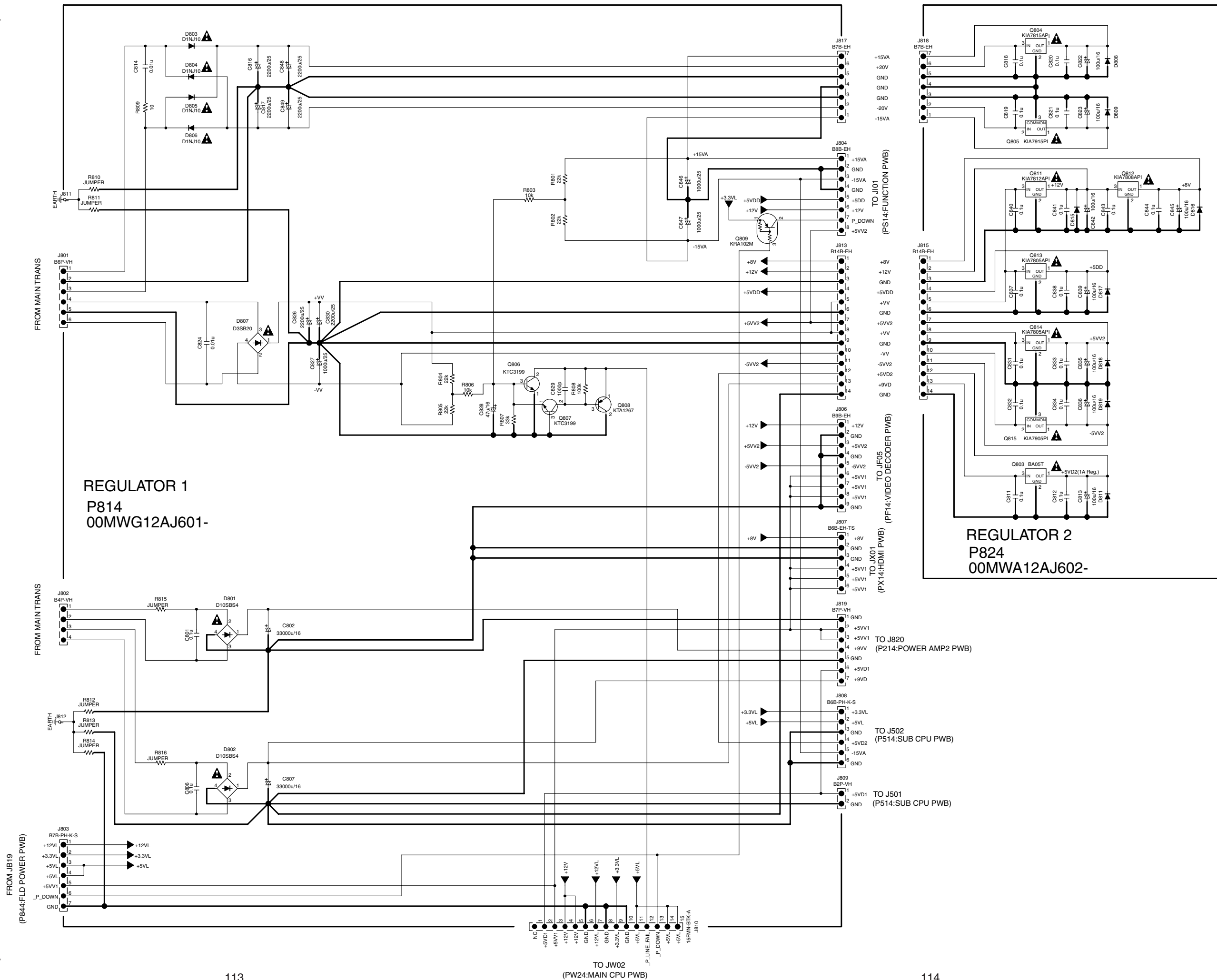
FROM JCG1
(PC64:GYRO PWB)

FROM JW05
(PW14:MAIN CPU PWB)

TO JC04
(PC14:FRONT PWB)







REGULATOR 1
P814
00MWG12AJ601-

REGULATOR 2
P824
00MWA12AJ602-

