

<b>marantz®</b> <b>SERVICE BULLETIN</b>		Date: 04-Feb-2004	Model: 74 ST17,ST-17
		Page: 1 / 2	REF.NBR: MZ04-012
Circulation:		Subject:	
Application:		FM Tuner (Front end) was changed for N version	
x for information customer complaint in case of service mandatory .....		Int.ref:	
See Below			

**[REASONS]**

FM Tuner (Front end) was changed by manufacture stop.  
This part change is only N Version.

**[SOLUTION]**

New part number is **AV01202270**. (POS.NO. A101)

**REMARK:**

- 1) The OLD and NEW type are compatible in performance
- 2) **R115**, **R116** and **C108** are **REMOVED** when replace the OLD type to NEW type.
- 3) Confirm the Tuner Alignment. (Please refer to the ST-17 Service Manual on page 15 for the procedure.)

**OLD type**  
The Lot number is  
**MZxxxxxx01xxxx to MZxxxxxx55xxxx.**

Part No. **AV01202210**

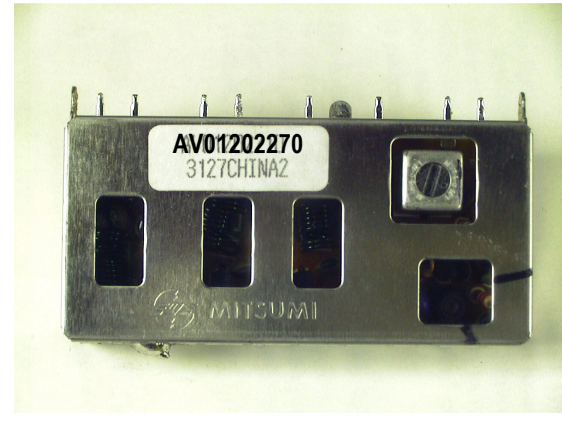
Mitsumi Electric Co.,Ltd. Model:FE415-G09



**NEW type**  
The Lot number is  
**MZxxxxxx56xxxx and after**

Part No. **AV01202270**

Mitsumi Electric Co.,Ltd. Model:FE415-G23



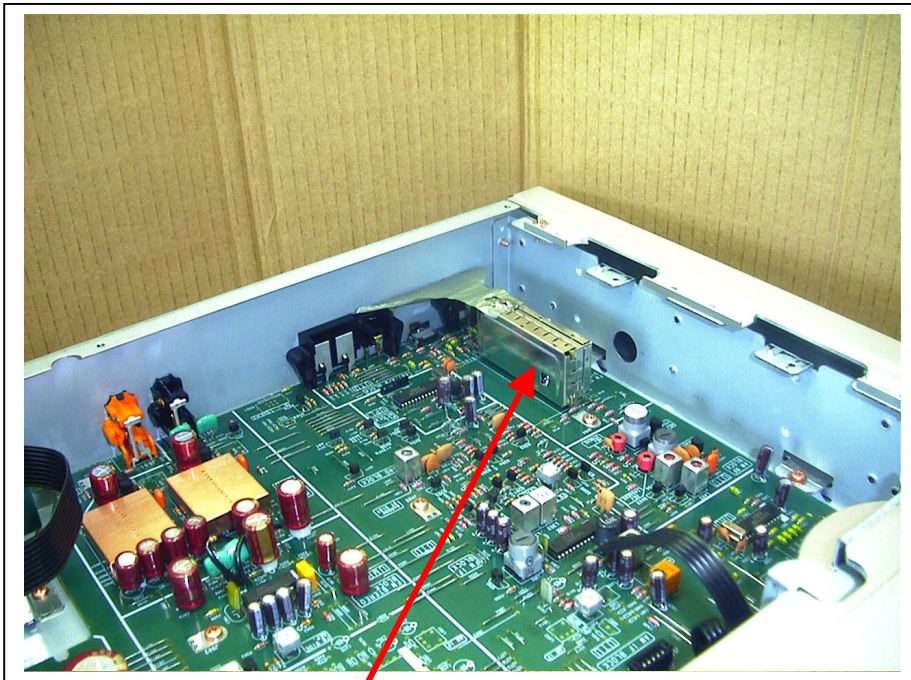
**The form is the same.**  
**The difference is the part number of the label.**

**[NECESSARY PART]**

POS.NO. A101 Part no. **AV01202270**

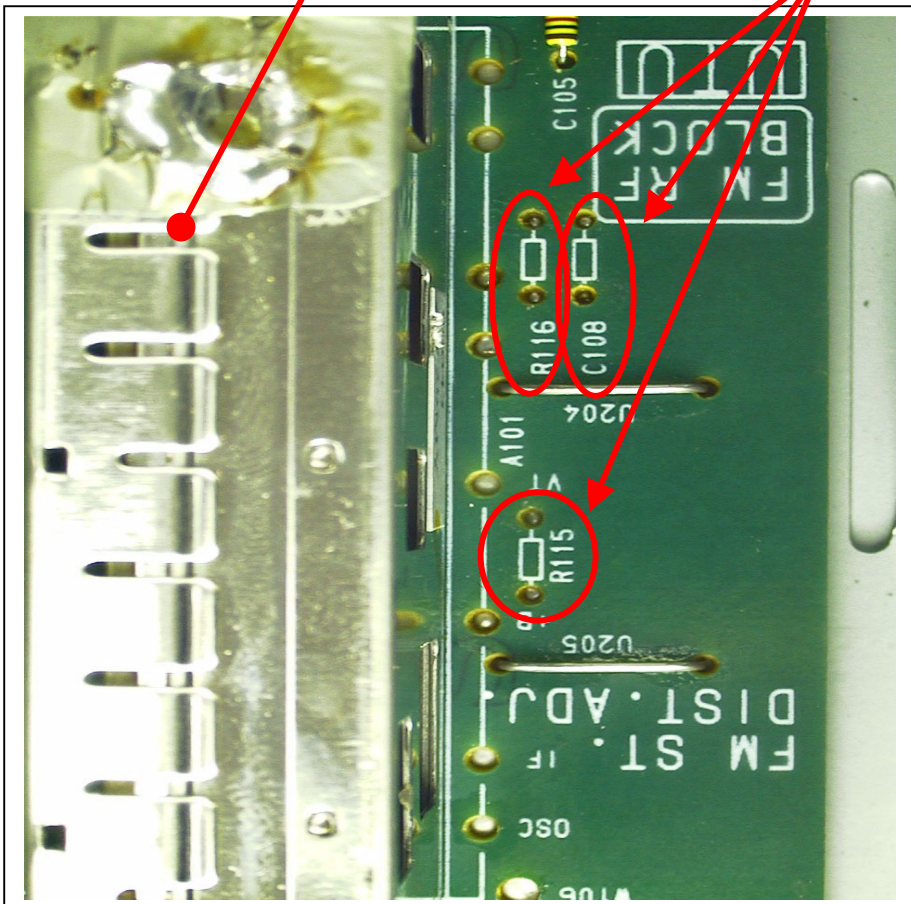
Approved by **S.NAGAO**

Written by



POS.NO. A101

REMOVED



<b>marantz®</b> <b>SERVICE BULLETIN</b>		Date: 6-Nov-98	Model: 74ST17/02B/02G
		Page: 1/1	REF.NB MZ98-030
Circulation:		Subject:	
Application:		Remote control modification. (Add IR sensor for remote operation.)	
x for information customer complaint in case of service mandatory .....			
Only required case from a customer.			

**[SOLUTION]**

Modify the front panel assembly as following procedure.

1. Disassemble the front panel assembly from the product and remove 017B, 026B and PCB PS02 from the front panel (002B). (Fig.1)
2. Add the IR lens (013B: **4822 381 12024** [/02B] or **4822 381 12025** [/02G]) with dual side adhesive tape to the hole of PTY button on the front panel. (Fig.1)
3. Cut the PTY button and the button guide. (Fig. 2 : Gray part)
4. Remove the tact switch (SS24). And add the IR sensor (QS03: **4822 130 11494**) with the formed rubber (13x10x10). (Fig. 3)
5. Add diodes DS03, DS04 (**4822 130 32362**), transistors QS04 (**4822 130 61227**), QS05 (**4822 130 42594**), resistors RS63 (**180 ohm 1/6W**), RS65 (**10K ohm 1/6W**). (refer the service manual 4822 725 51167 page 7 and page 9)
6. Reassemble the front panel. (Fig. 1 & 4)
7. Press POWER switch while depressing **DISPLAY** button and **BAND**, if FL display shows <RC INT> then modification had succeed.

- Every MARANTZ remote control units which including TUNER mode are available for command transmit.

**[REMARK]**

This information is applied to Europe, Africa and Middle East only. "PTY" function is not available after this modification.

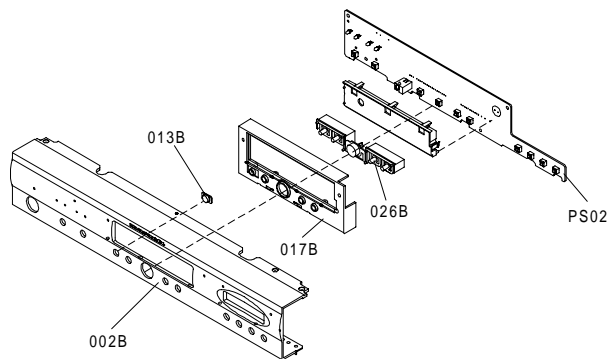


Fig. 1

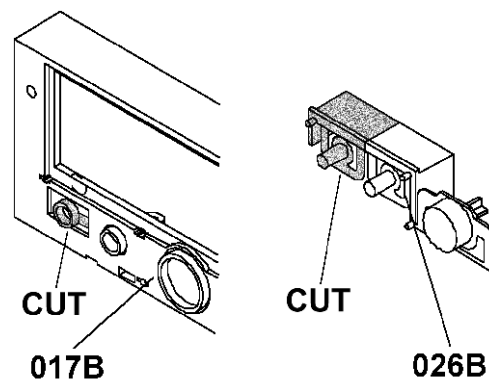


Fig. 2

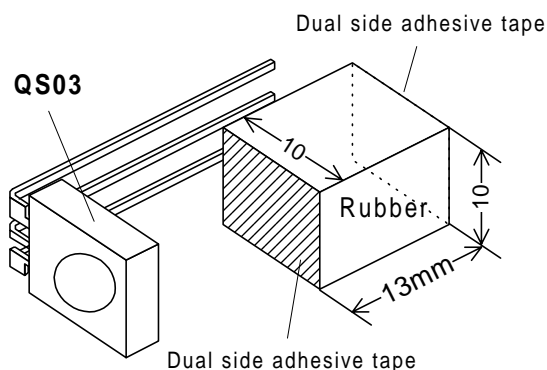


Fig. 3

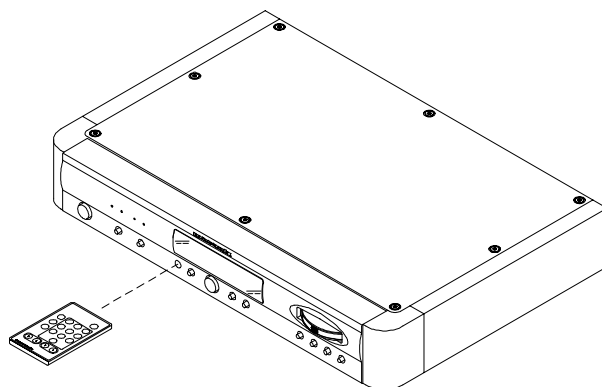


Fig. 4

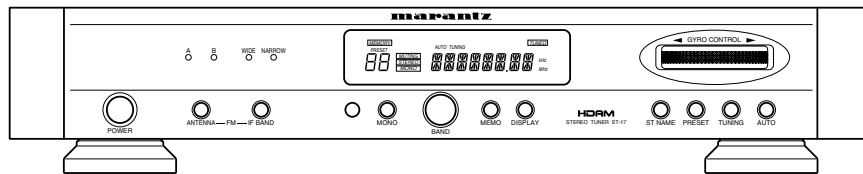
Approved by C. Miyayama

Written by H. Tamura

# Service Manual

ST17 /N1S

Stereo Tuner



**REMARK :** This service manual explains them by extracting the different specifications of the cosmetics parts were changed to new design of SILVER color for the model ST17/N1S based on the model 74ST17/02G.

All other information is described in the service manual of the model 74ST17 (Code number : 4822 725 51167 and 290J855010). The dispatch of the parts for after sales service has to be referred to these service manuals, with the first priority.

For this reason, please use this service manual with referring to the model 74ST17 service manual without fail.

Please use this service manual with referring to the user guide ( D.F.U. ) without fail.

# marantz®

## ST-17

The change parts are the following. Other parts are the same.

### EXPLODED VIEW PARTS LIST

POS. NO.	VERS. COLOR	PART NO. (FOR EUR)	DESCRIPTION	PART NO. (MJI)
001B	/N1S	290J248540	FRONT PANEL ASSY SILVER	290J248540
002B	/N1S	290J248220	FRONT PANEL AL SILVER	290J248220
003B	/N1S	318K063210	CORNER AL SILVER	318K063210
011B	/N1S	313J251040	MARANTZ LOGO BADGE SILVER	313J251040
015B	/N1S	318K158210	WINDOW SILVER	318K158210
016B	/N1S	290J104210	PCB HOLDER L-SIDE SILVER	290J104210
017B	/N1S	290J104270	PCB HOLDER FL-SIDE SILVER	290J104270
018B	/N1S	290J104230	PCB & JYRO HOLDER SILVER	290J104230
025B	/N1S	290J270280	BUTTON FOR JYRO SILVER	290J270280
026B	/N1S	290J270270	BUTTON FOR FL SILVER	290J270270
027B	/N1S	318K270240	BUTTON FOR ANT IF SILVER	318K270240
045B	/N1S	318K270210	BUTTON POWER SILVER	318K270210
079B	/N1S	290J066210	JYRO ESC. RUBBER RING GRAY	290J066210
080B	/N1S	290J063210	JYRO ESC.(DOWEN & UP9) SILVER	290J063210
082B	/N1S	290J063210	JYRO ESC.(DOWEN & UP) SILVER	290J063210
001D	/N1S	318K257210	TOP COVER AL SILVER	318K257210
002D	/N1S	323S010060	SCR. THINHEAD 3X8HGNI	323S010060
003D	/N1S	318K010040	SCR. THINHEAD 3X5HGNI	318K010040
010D	/N1S	318K249210	SIDE PANEL SILVER	318K249210
010G	/N1S	291K057120	LEG,D60/H18,AL.CAP:SILVER HAIR	291K057120

NOTE : "nsp" PART IS LISTED FOR REFERENCE ONLY, MARANTZ WILL NOT SUPPLY THESE PARTS.

### ELECTRICAL PARTS LIST

POS. NO.	VERS. COLOR	PART NO. (FOR EUR)	DESCRIPTION	PART NO. (MJI)
			<b>PS02-<math>\mu</math>-COM CIRCUIT BOARD</b>	
DS72	/N1S	HI10162320	L.E.D. GL3BC802B0SC	HI10162320
DS73	/N1S	HI10162320	L.E.D. GL3BC802B0SC	HI10162320
DS74	/N1S	HI10162320	L.E.D. GL3BC802B0SC	HI10162320
RS91	/N1S	nsp	270 $\Omega$ 1/6W $\pm$ 5%	nsp
RS92	/N1S	nsp	270 $\Omega$ 1/6W $\pm$ 5%	nsp
RS93	/N1S	nsp	270 $\Omega$ 1/6W $\pm$ 5%	nsp
RS94	/N1S	nsp	270 $\Omega$ 1/6W $\pm$ 5%	nsp
			<b>P102-TUNER CIRCUIT BOARD</b>	
C809	/N1S	OC22803520	ELECT 2200 $\mu$ F 35V 16X31.5 ARE2	OC22803520
C812	/N1S	OC22801620	ELECT 2200 $\mu$ F 16V 12.5X25 ARE2	OC22801620

NOTE : "nsp" PART IS LISTED FOR REFERENCE ONLY, MARANTZ WILL NOT SUPPLY THESE PARTS.