

marantz® SERVICE BULLETIN		Date: 15-Jan.-2007	Model: ST6001/N1B/N1S
		Page: 1 / 1	REF.NBR: MZ07-001
Level		Application:	
★ ★		See Below	
		Subject: FL Segment Light Leakage	
		Int.ref:	

[PHENOMENON]

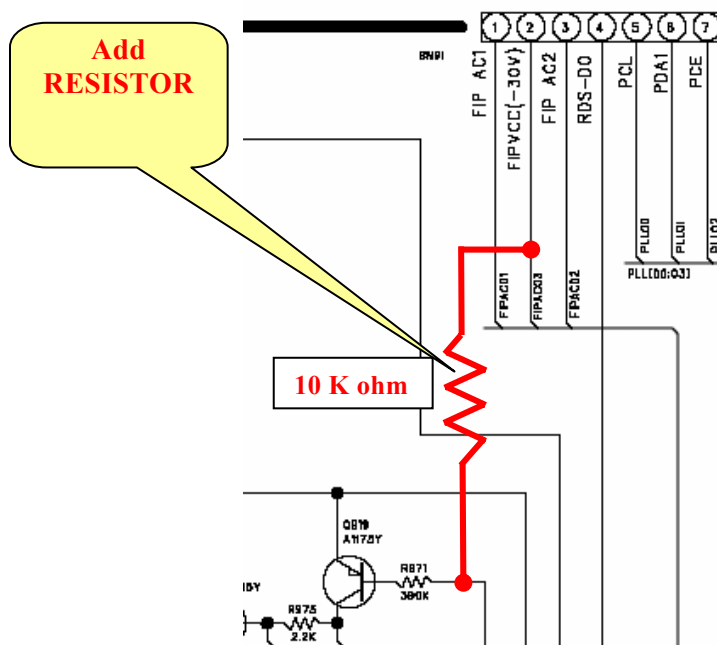
Due to variability in their performance quality of the component, the FL Displays of certain ST6001 units develop light leakage in the left segment when the indicator lights up.

Light Leakage

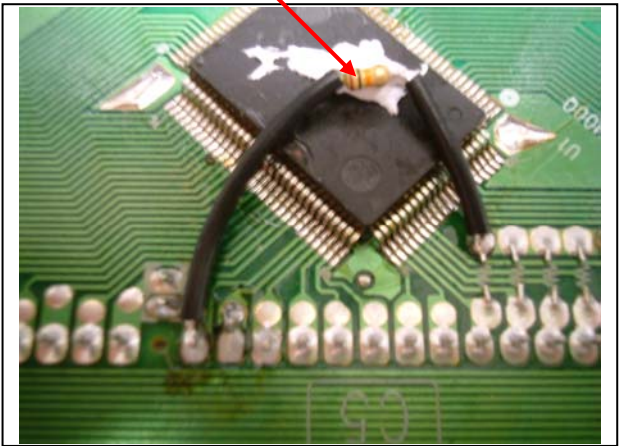


[SOLUTION]

1. Circuit rectification, Add the RESISTOR to FRONT PWB.



10 K ohm



[NECESSARY PART]

POS.NO	PART NO.	Description
-	00MGD05103160	RESISTOR 10k OHM +-5% 1/6W

[REMARKS]

This problem remains and solution applies following serial number.

- 1) ST6001/N1B apply to MZ010644004100 and earlier.
This improvement has been done in the production serial number MZ010644004101 and after.
- 2) ST6001/N1S apply to MZ010644003430 and earlier.
This improvement has been done in the production serial number MZ010644003431 and after.

Approved by N.Sensui Written by S.Nagao