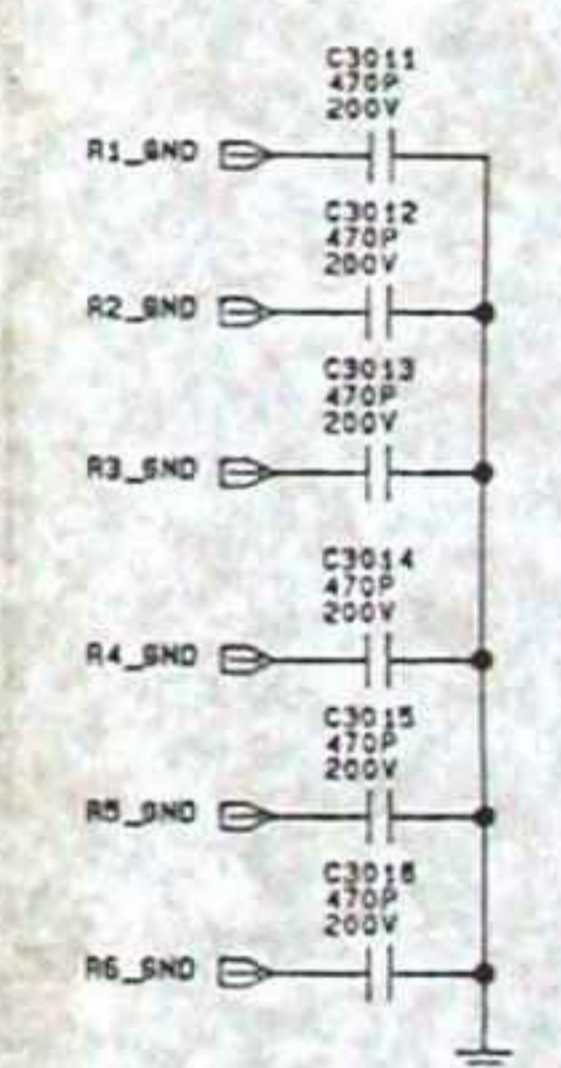
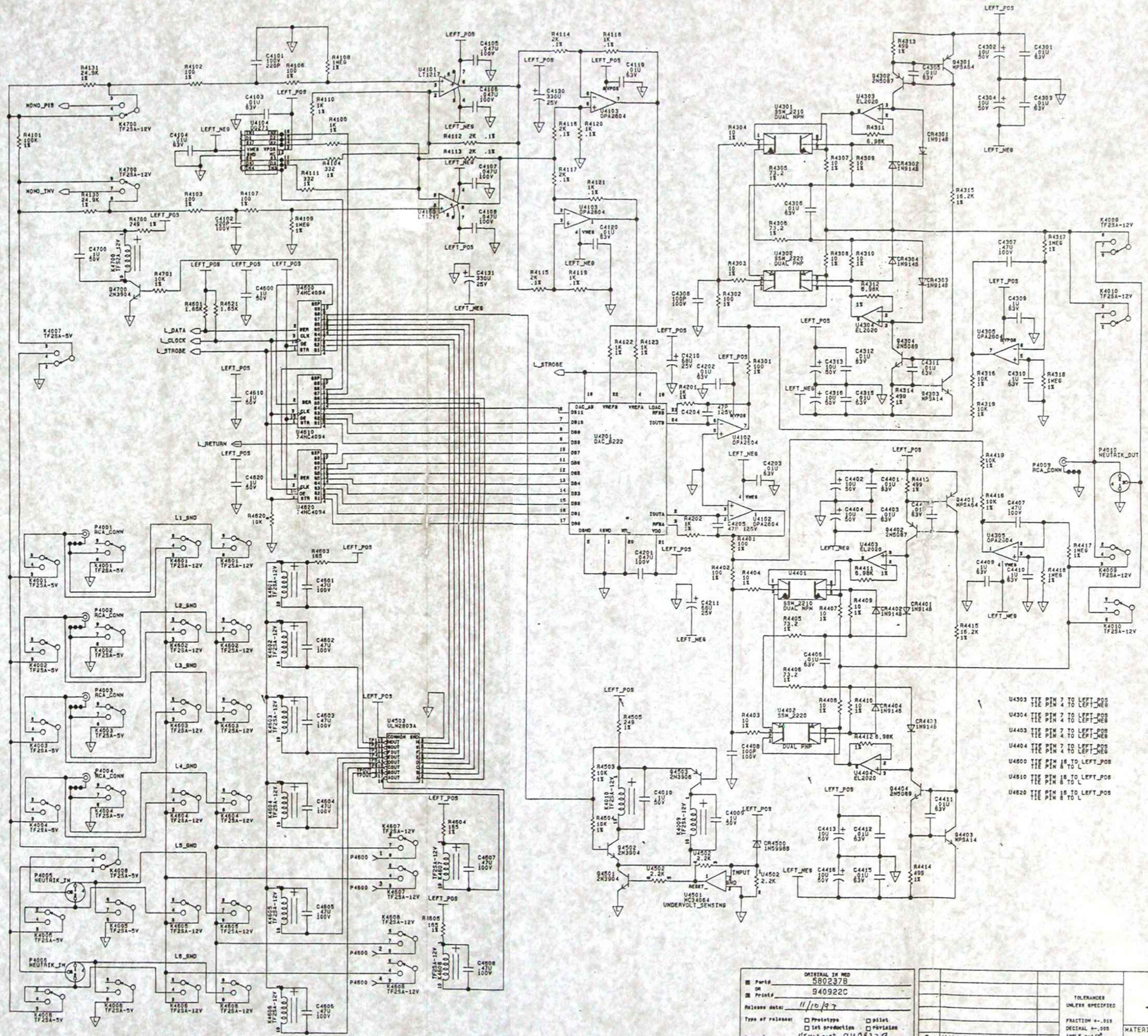


U3303 THE PIN 2 TO RIGHT_POS
 U3304 THE PIN 2 TO RIGHT_POS
 U3403 THE PIN 2 TO RIGHT_POS
 U3404 THE PIN 2 TO RIGHT_POS
 U3500 THE PIN 8 TO RIGHT_POS
 U3610 THE PIN 8 TO RIGHT_POS
 U3620 THE PIN 8 TO RIGHT_POS

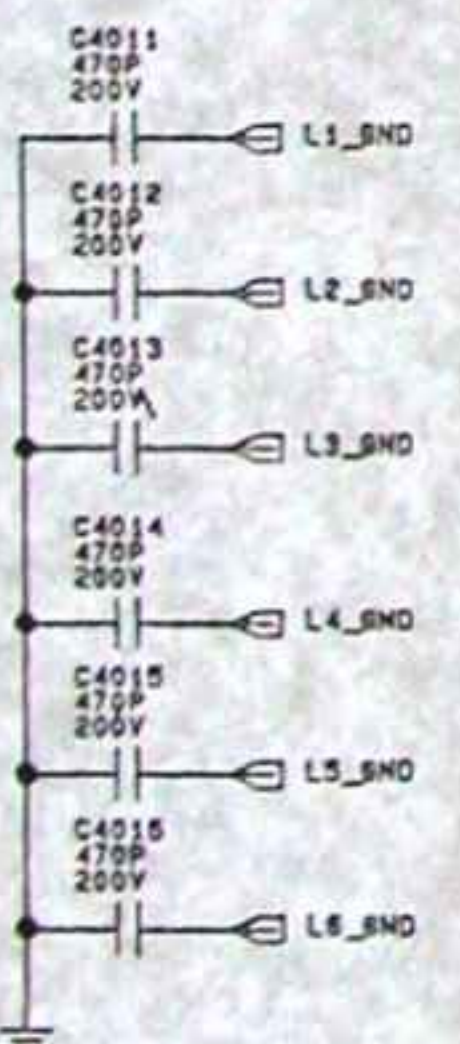
SEE SHEET 1 FOR COILS OF K3001-K3008



TOLERANCES UNLESS SPECIFIED		MADRIG	
FRACTION -- .10		2001 04/24/93	
DECIMAL -- .005		MATERIAL	
ANGLE -- 1/2°		NAME	
C	VALUE CHANGE	10-5	DATE USED IN
B	CIRCUIT CHANGE	9-21	9-21-93 No. 38
A	VALUE CORRECTIONS	8-11	DATE NAME
ISSUE	REVISTION	DATE SCALE:	DAC-38 RIGHT C



SEE SHEET 1
FOR COILS OF K4001-K4008

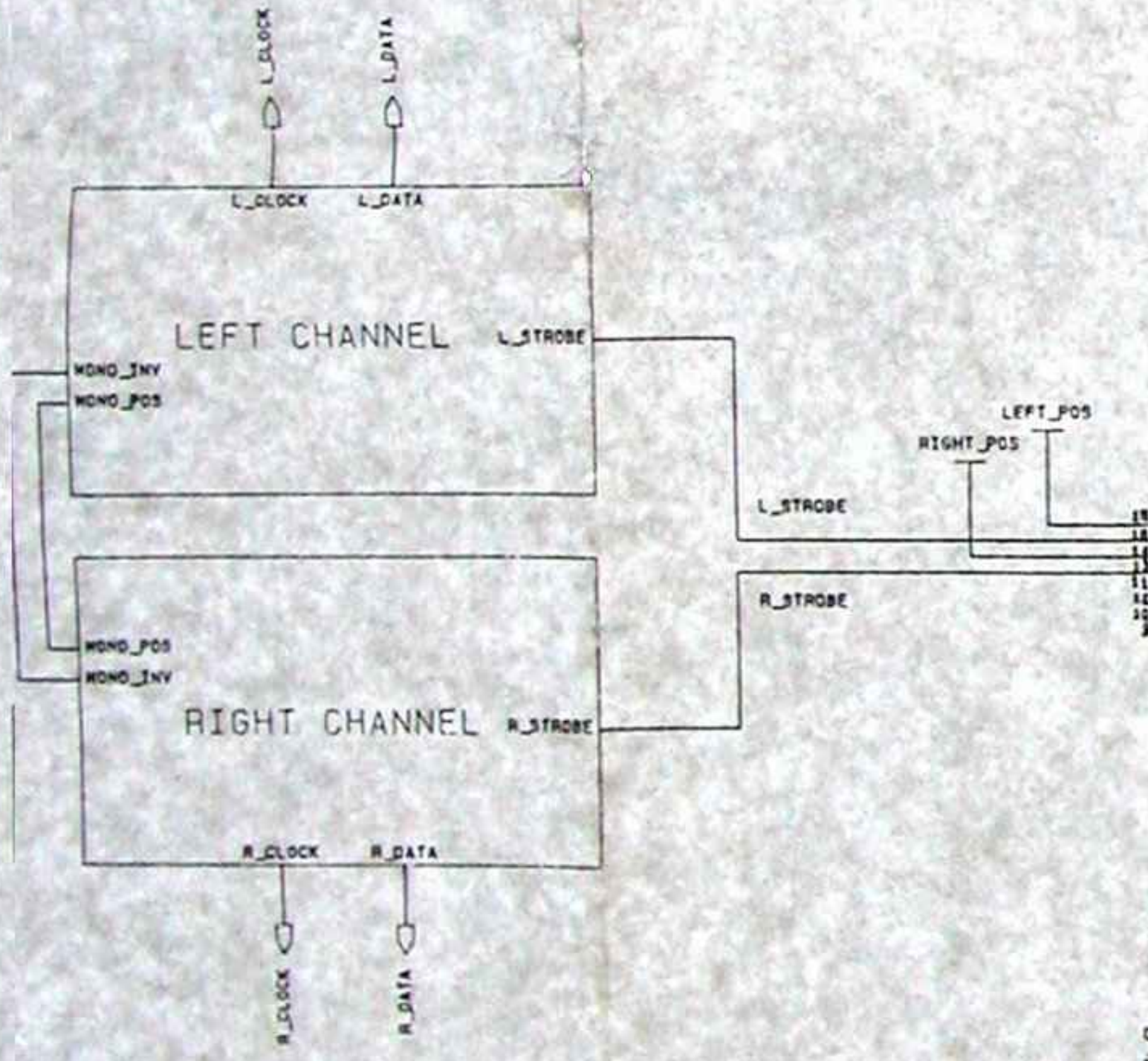
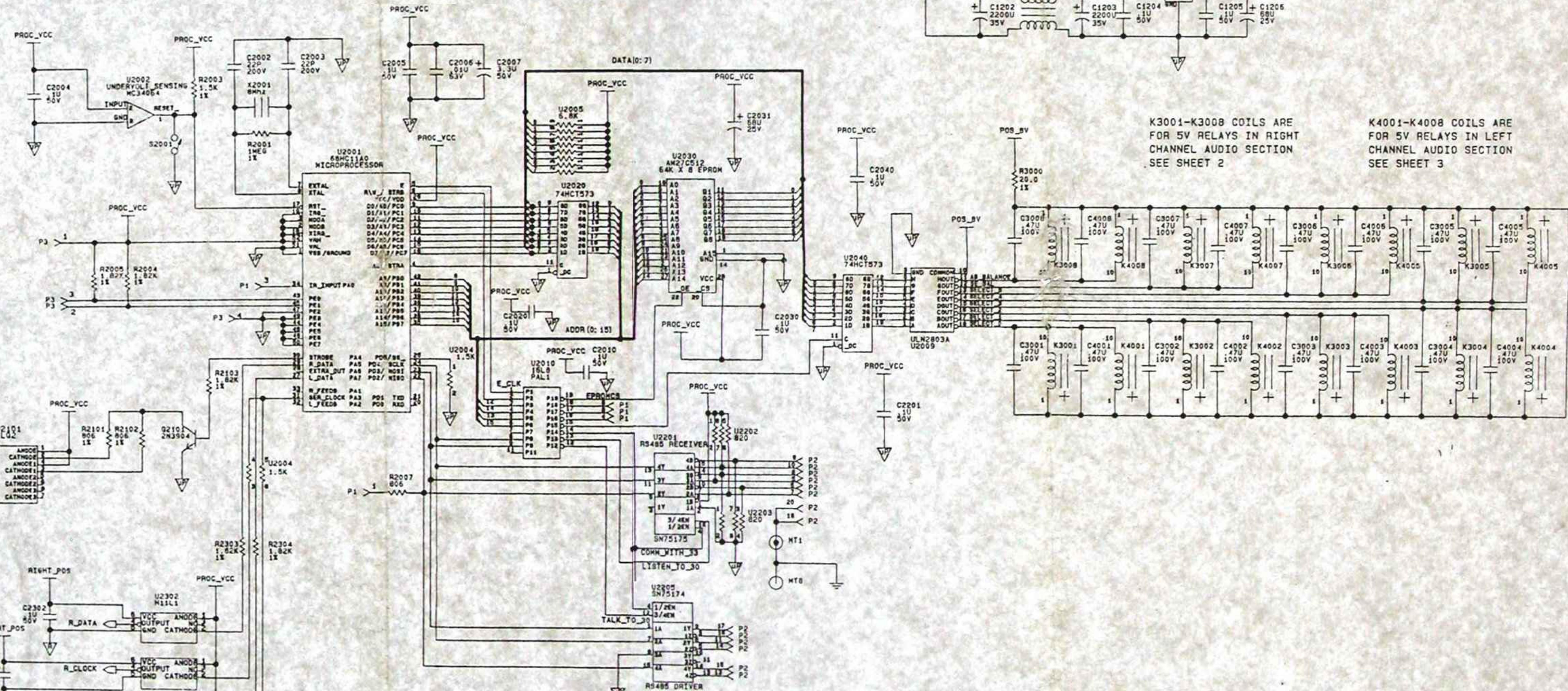
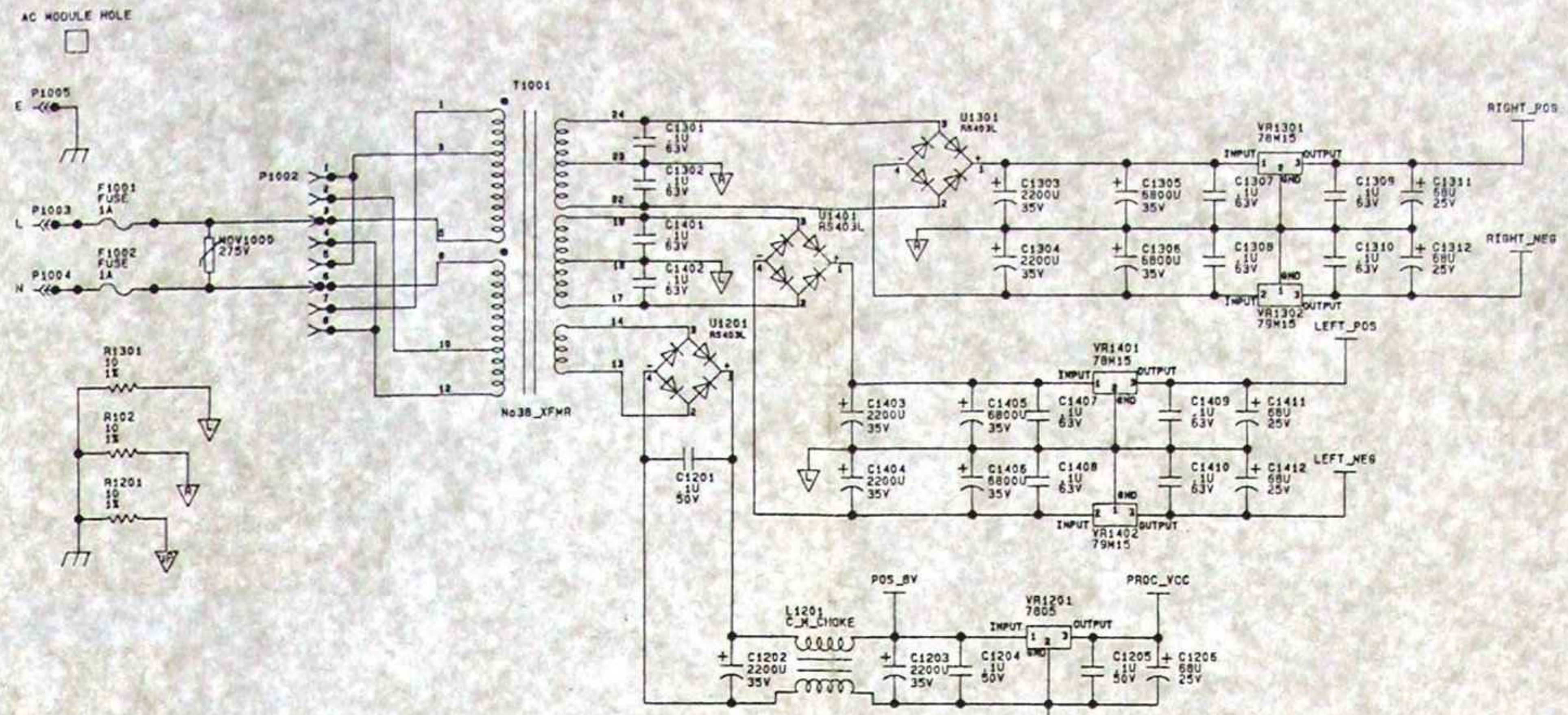
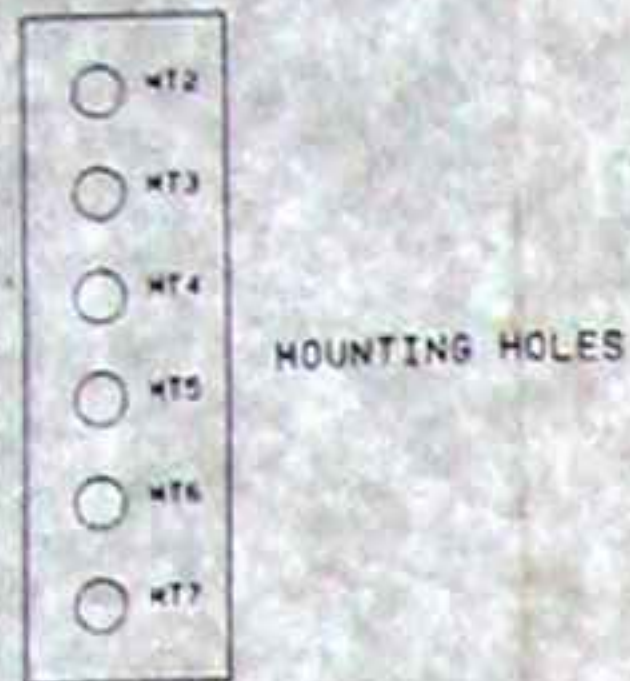


- U4303 TIE PIN 2 TO LEFT_POS
- U4304 TIE PIN 7 TO LEFT_POS
- U4303 TIE PIN 4 TO LEFT_NEG
- U4404 TIE PIN 7 TO LEFT_POS
- U4404 TIE PIN 4 TO LEFT_NEG
- U4800 TIE PIN 18 TO LEFT_POS
- U4810 TIE PIN 8 TO L
- U4820 TIE PIN 18 TO LEFT_POS
- U4820 TIE PIN 8 TO L

ORIGINAL IN HD
 Part 580237B
 Print 940922C
 Release date: 11/10/97
 Type of release: Prototype Pilot 1st production Revision
 Comment: *signature* 940922C
 Drafting approval: *signature* Engineering approval: *signature*
 Traced by: *signature* Date: *signature*

C VALUE CHANGE		10-5				
B CIRCUIT CHANGE		9-21	DR	DATE	USED IN	
A VALUE CORRECTIONS		B-11	CH	DATE	No. 38	
ISSUE	REVISION	DATE	SCALE:	MATERIAL		
				DAC-38 LEFT CHANNEL		

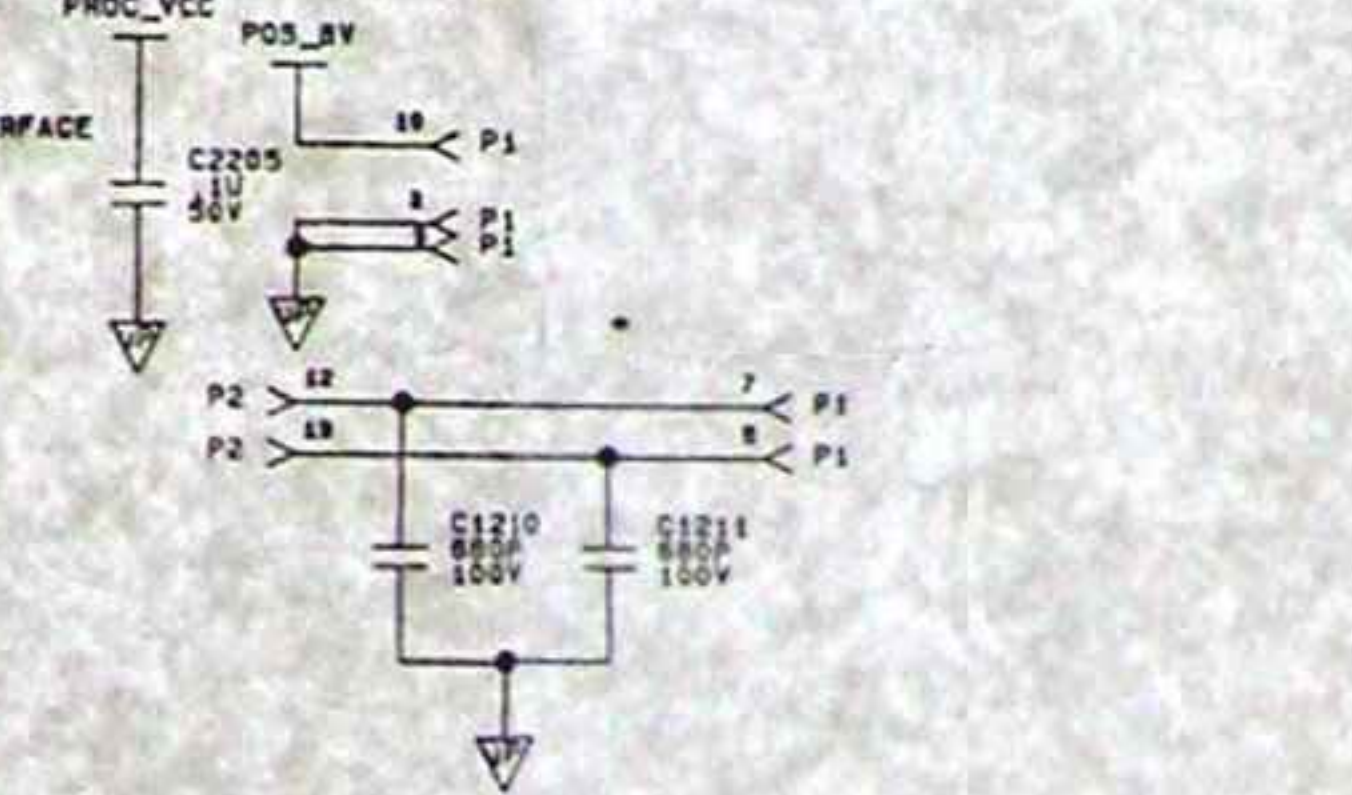
MADRIGAL audio inc
2001 south main street widdistown



K3001-K3008 COILS ARE FOR 5V RELAYS IN RIGHT CHANNEL AUDIO SECTION SEE SHEET 2

K4001-K4008 COILS ARE FOR 5V RELAYS IN LEFT CHANNEL AUDIO SECTION SEE SHEET 3

- U2010 TIE PIN 20 TO PROC_VCC
- U2020 TIE PIN 20 TO PROC_VCC
- U2040 TIE PIN 20 TO PROC_VCC
- U2201 TIE PIN 16 TO PROC_VCC
- U2202 TIE PIN 8 TO UP

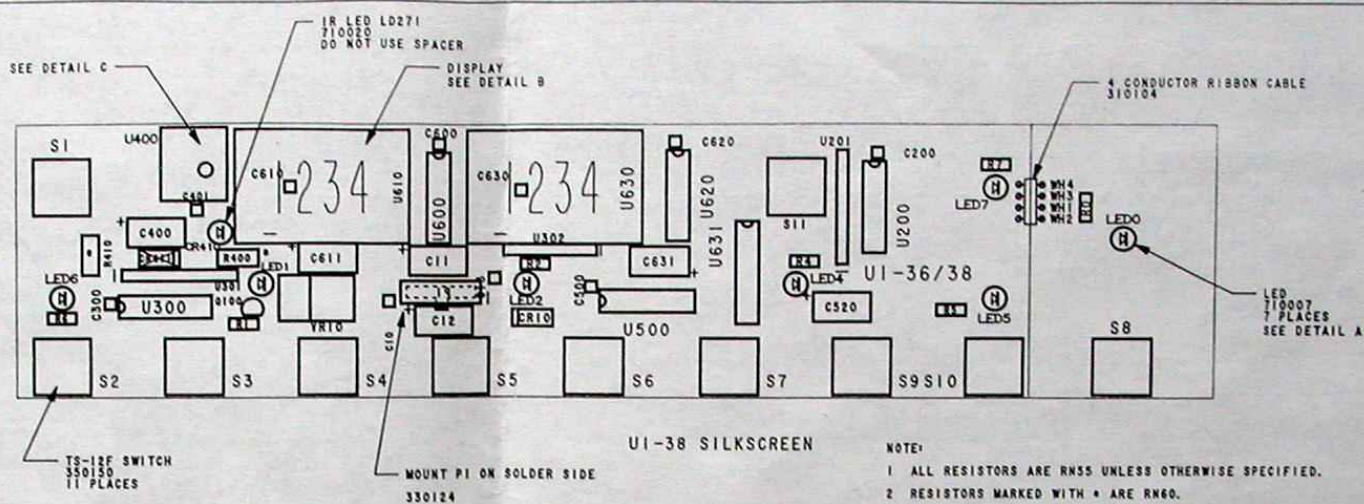


Part No	580237B
Print	940922C
Release date:	4/10/93
Type of release:	<input type="checkbox"/> Prototype <input type="checkbox"/> Pilot
	<input type="checkbox"/> 1st production <input type="checkbox"/> Revision
Comments:	replaces 940922B
Issued by:	Doug Bailey
Engineering approval:	
Signature:	

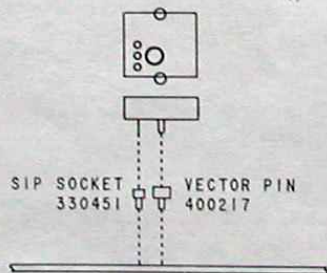
TOLERANCES UNLESS SPECIFIED		MATERIAL	
FRACTION	±.010	SHEET	1 OF 3
DECIMAL	±.005	NO.	93 93 93
ANGLE	±1/2°	DATE	7-03-92
C VALUE CHANGE	10-5	USED IN	No. 38
B CIRCUIT CHANGE	9-21	NAME	DAC-38
A VALUE CORRECTION	8-14	DATE	8-05-90
ISSUE	REVISION	DATE SCALE:	

MADRIGAL audio laboratories, inc.
201 South Main Street Middletown Connecticut 06457 U.S.A.

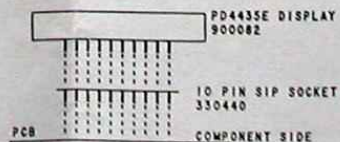
940922C



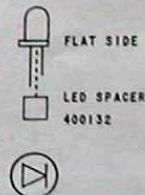
COMPONENTS MARKED WITH AN 'X' ARE UNUSED



DETAIL C



DETAIL B



LED MOUNTING DETAIL
DETAIL A

ORIGINAL IN RED

Part No. 580228C
Rev. 940934E

Release date: 6/5/95

Type of release: Prototype Pilot Test production Revision

Comments: 10 places 940934D
FW 1559

Drafting approved: [Signature] Date: 6/5/95
Engineering approved: J.C.H.
Issued by: [Signature] Date: 6/5/95

ISSUE	REVISION	DATE	SCALE
E	LD271 WAS LD274	5-30	TOLERANCES UNLESS SPECIFIED
C	DETAIL CORRECTION		FRACTION ± .010
	VALUE CORRECTION	5-1	DECIMAL ± .005
C	DETAIL CORRECTION	6-9	ANGLE ± 1/2°
A	JUMPER ADDED	7-12	DR. BY DATE A.M. 4-23-93
			CR. BY DATE

MADRIGAL audio_laboratories, inc.

2081 south main street middletown connecticut 06457 u.s.a.

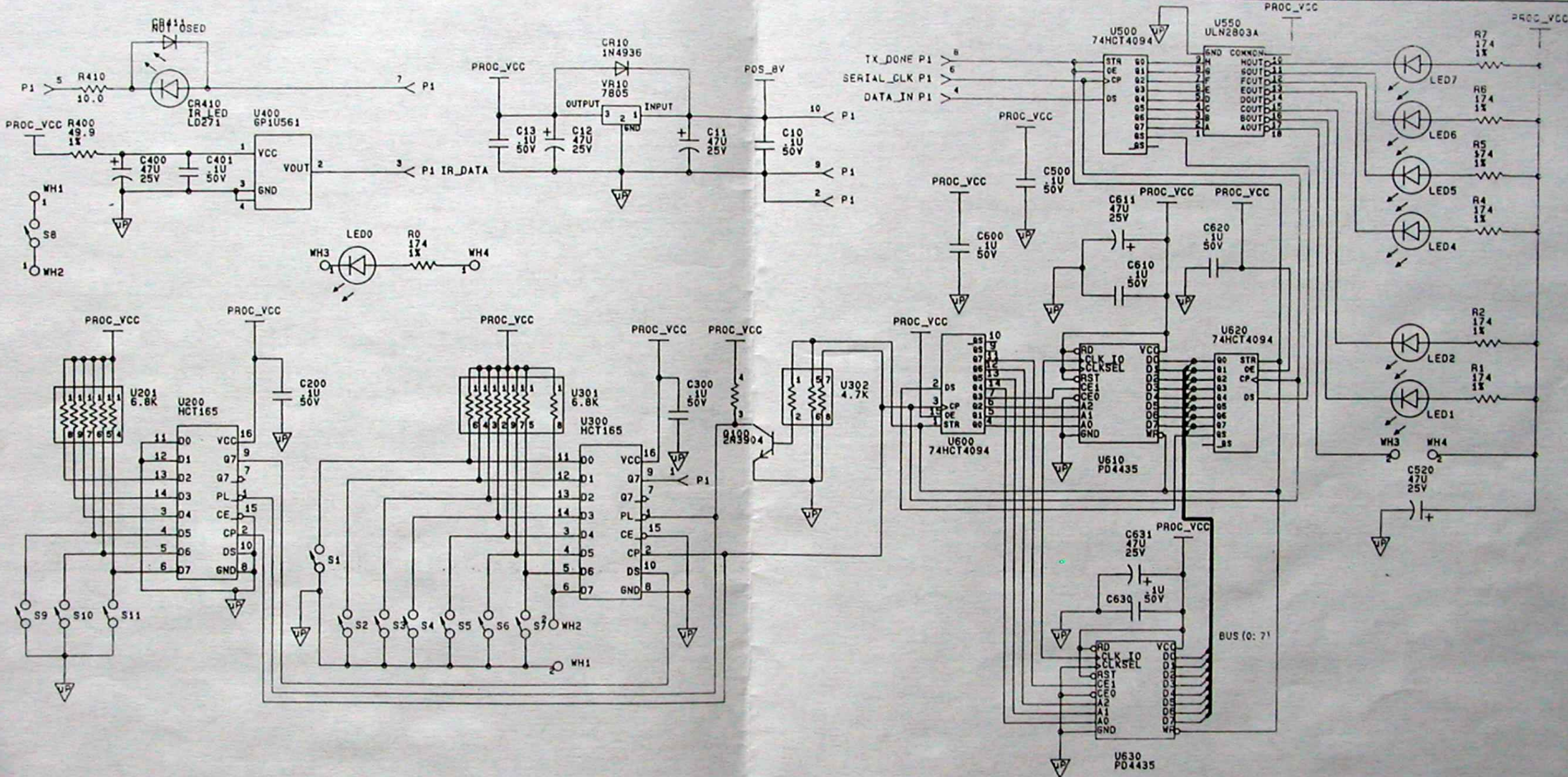
MATERIAL

USED IN
NO. 36, No. 38

NAME
UI-38 ASS'Y

SHEET		OF		SIZE B	
A	B	C	D	E	R
93	94	95	95	95	95

NO. 940934E

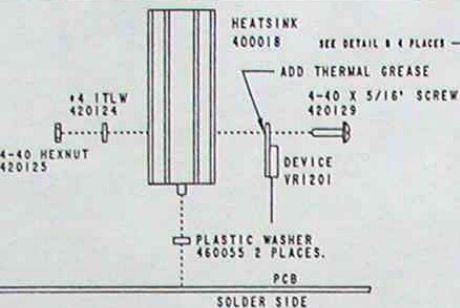


ORIGINAL IN RED
 580228C
 Part# _____
 OR _____
 Print# 940932C
 Release date: 6/5/95
 Type of release: Prototype pilot
 1st production revision
 Comments: REPAIRS 940932B
 ECN 1557
 Drafting approval: _____ Engineering approval: JWC
 Issued by: _____ Date: 6/5/95
 Signature

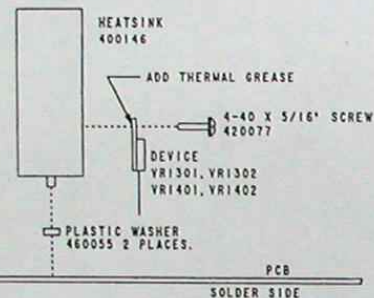
ISSUE	REVISION	DATE	SCALE:
C	LD271 WAS LD274	5-30	
B	R410 WAS 49.9	5-1	DR. TC DATE 12-17-93
A	VALUE CORRECTION	6-9	CH XXX DATE 0-00-00

MADRIGAL audio laboratories, inc.
 2081 south main street, middletown connecticut 06457 u.s.a.

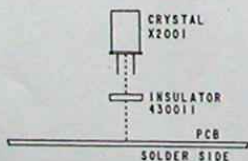
MATERIAL		SHEET		OF		SIZE	
USED IN		A	B	C	D	E	B
No. 36/No. 38		93	95	95			
NAME		NO. 940932C					
UI-36/UI-38							



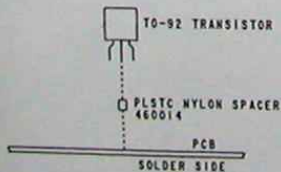
HEATSINK MOUNTING
DETAIL A



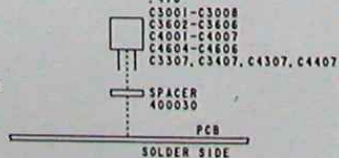
HEATSINK MOUNTING
DETAIL B



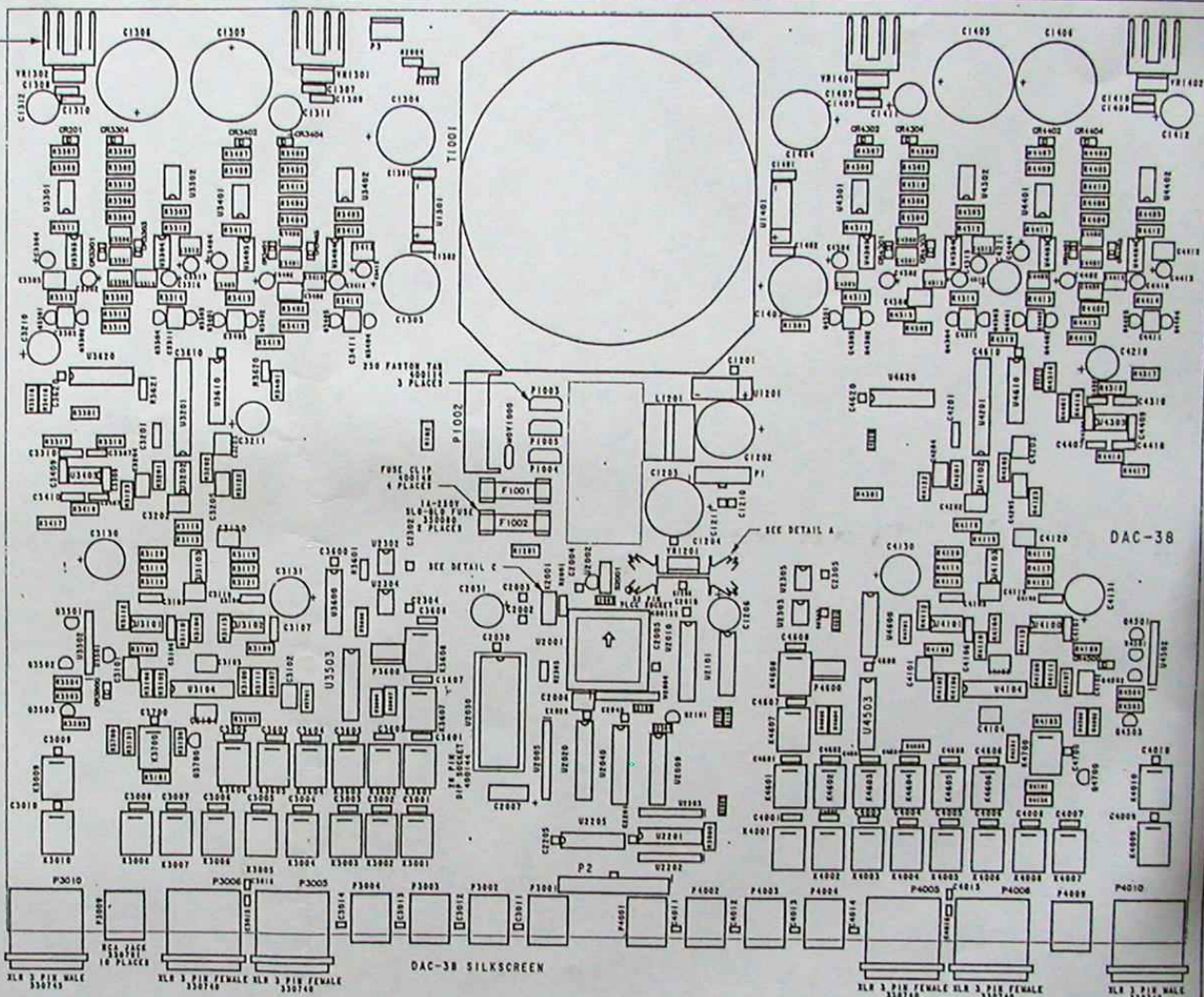
CRYSTAL MOUNTING
DETAIL C



TO-92 MOUNTING
DETAIL D



CAP MOUNTING
DETAIL E



NOTE:
1 DO NOT EXPOSE XLR INSERTS 330745/330740 AND 47P 125V CAPS 220003 TO FREON.

MINIPLAT 78 80P

Part: 580237B
Rev: 940924C

Before date: *9/28/88*

Type of release: Prototype Pilot Production Re-release

Welding operator: *DMC*
Insulating operator: *DMC*
Tested by: *DMC*

REVISION	DATE	SCALE
C	ADDED DETAIL E	8-22
B	ARTWORK REVISED	8-21
A	VALUE CORRECTIONS	8-11

MADRIGAL audio laboratories, inc.

3081 south main street addleton wisconsin 53407 u.s.a.

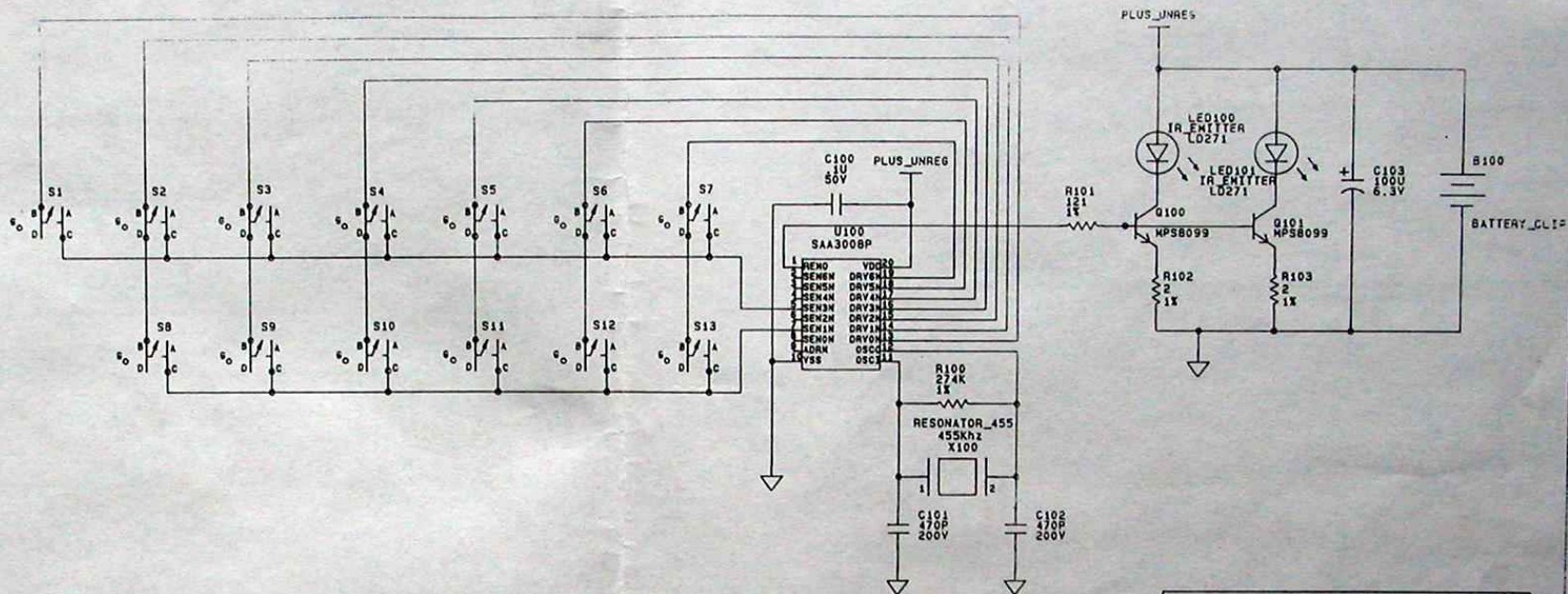
MATERIAL: *940924C*

USED IN: No. 38

NAME: DAC-38 ASS'Y DWG

NO. 940924C

SHEET	OF	SIZE
A	B	C



ORIGINAL IN RED

Parts 580221

CR 940928A

Prints

Release date: 6/5/93

Type of release: Prototype pilot

1st production revision

Current: REVISED 940928

CCN 1559

Drafting approval: _____

Issued by: *Doug Bush* date: 6/5/93

Signature

		TOLERANCES UNLESS SPECIFIED		MADRIGAL audio laboratories, inc.		SHEET		OF		SIZE	
		FRACTION $\pm .010$		2081 South Main Street Middletown Connecticut 06457 U.S.A.		A		B		B	
		DECIMAL $\pm .005$				95		C		D	
		ANGLE $\pm 1/2^\circ$				NO.		E		940928A	
		DR. DATE		USED IN		NAME		REVISION			
		U. S. 2/22/93		NO 38		REM_38					
A		LD271 WAS LD274		5-30		DATE					
ISSUE		REVISION		DATE		SCALE:					