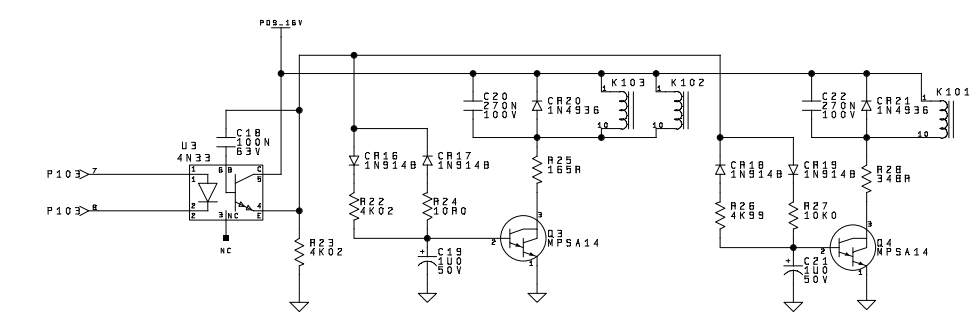
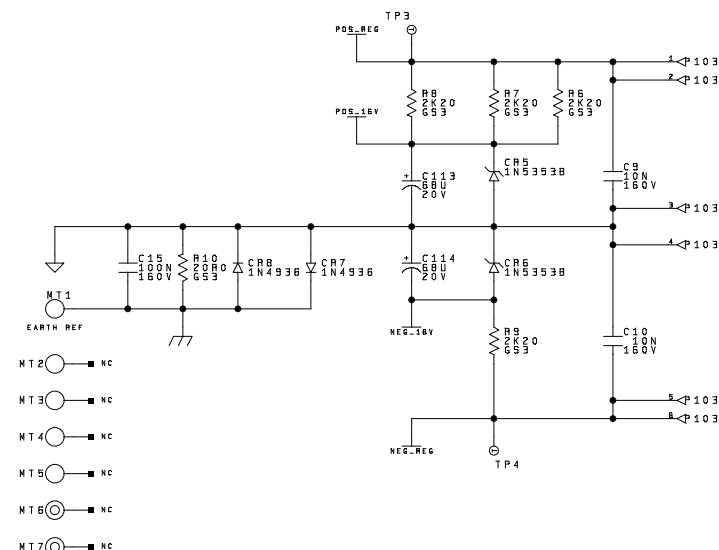
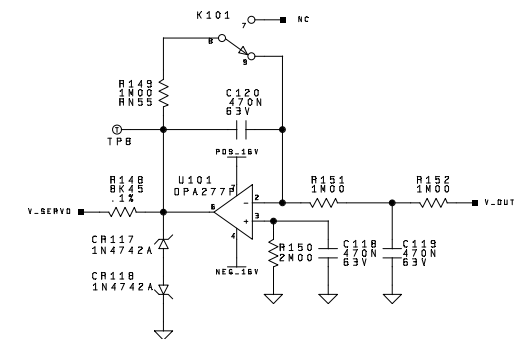


NOTE:  
1 ALL RESISTORS ARE RN60 UNLESS OTHERWISE SPECIFIED.



ORIGINAL IN RED  
 Part # 58070BD/580709D  
 Part # 943553A  
 Release date:  
 Type of release:  Prototype  Pilot  In production  Revision  
 Comments:  
 Drafting approval: \_\_\_\_\_ Date: \_\_\_\_\_  
 Issued by: \_\_\_\_\_ Date: \_\_\_\_\_

DR. BY	DATE	USED IN
MWR	07-24-05	NO. 431
CH.	DATE	
A	DRAWING NUMBER CORRECTION	9-19-02
ISSUE	REVISION	DATE

MADRIGAL <small>audio laboratories, inc.</small>				
<small>2085 south main street northampton 06467 u.s.a.</small>				
MATERIAL		CAD ID.-431AUD_D		
SHEET	OF	SIZE		
A	B	C	D	E
NAME		No.		
LEFT/RIGHT CHANNEL		943553A		
AUDIO CHANNEL DAUGHTER				