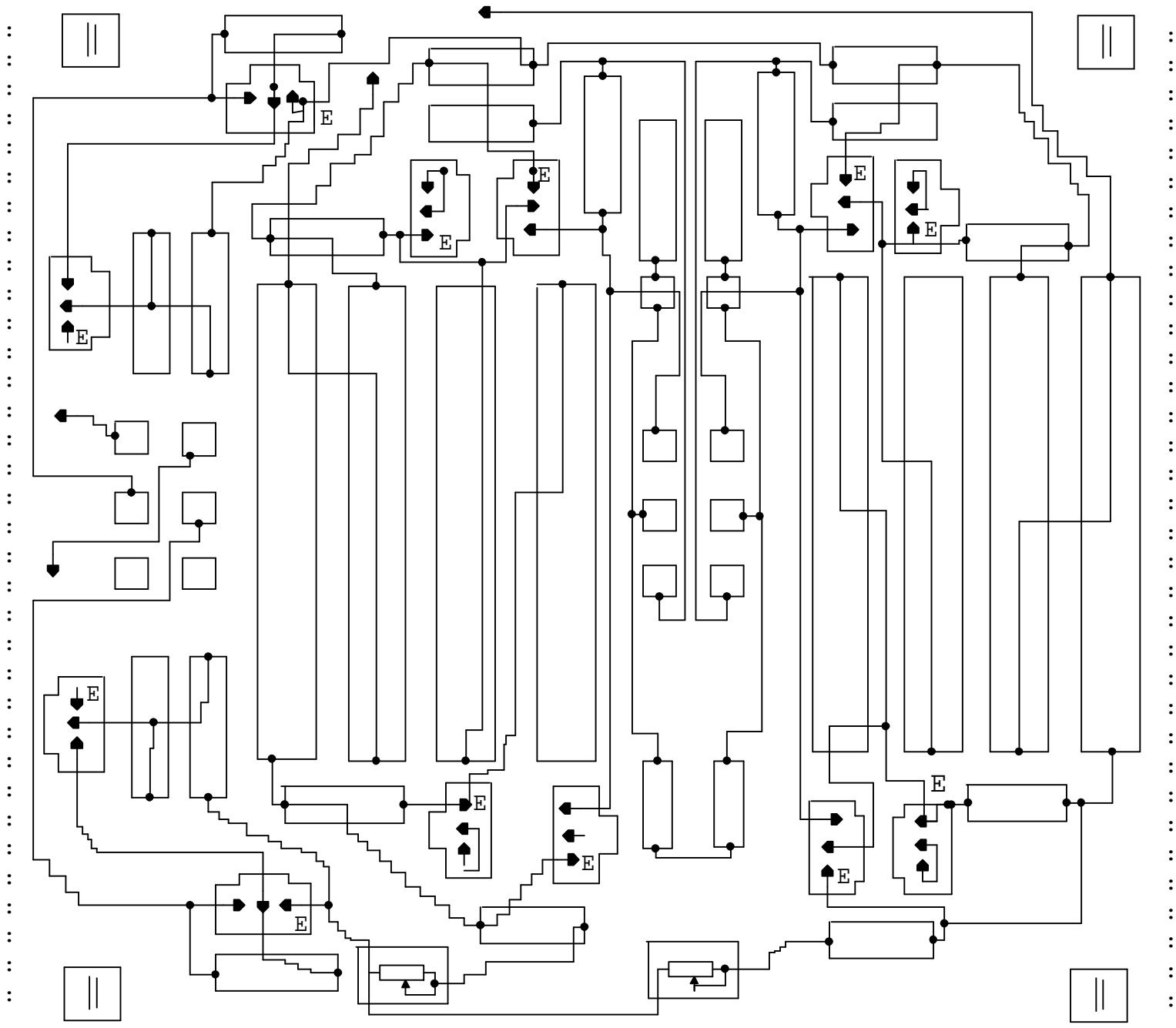
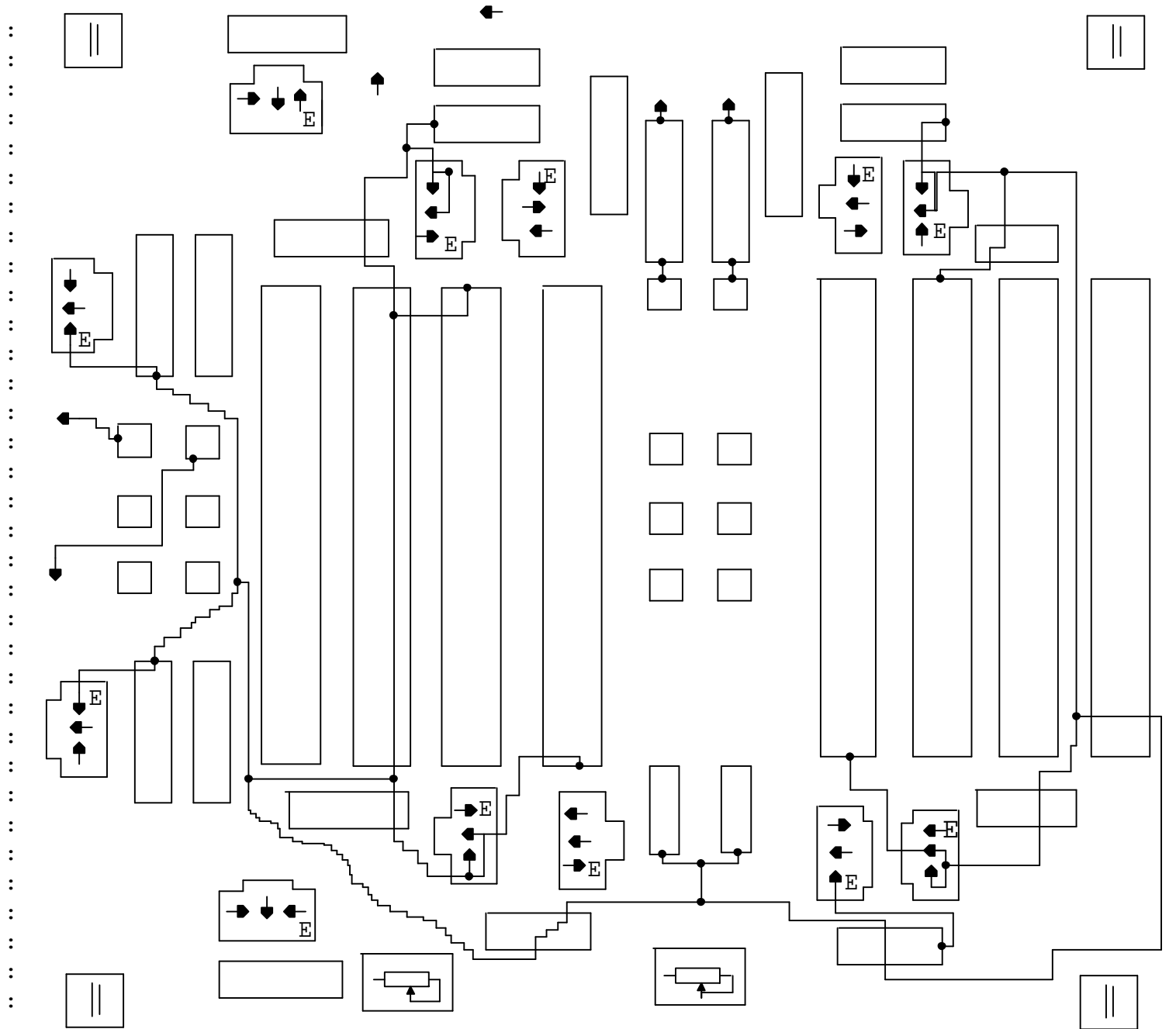


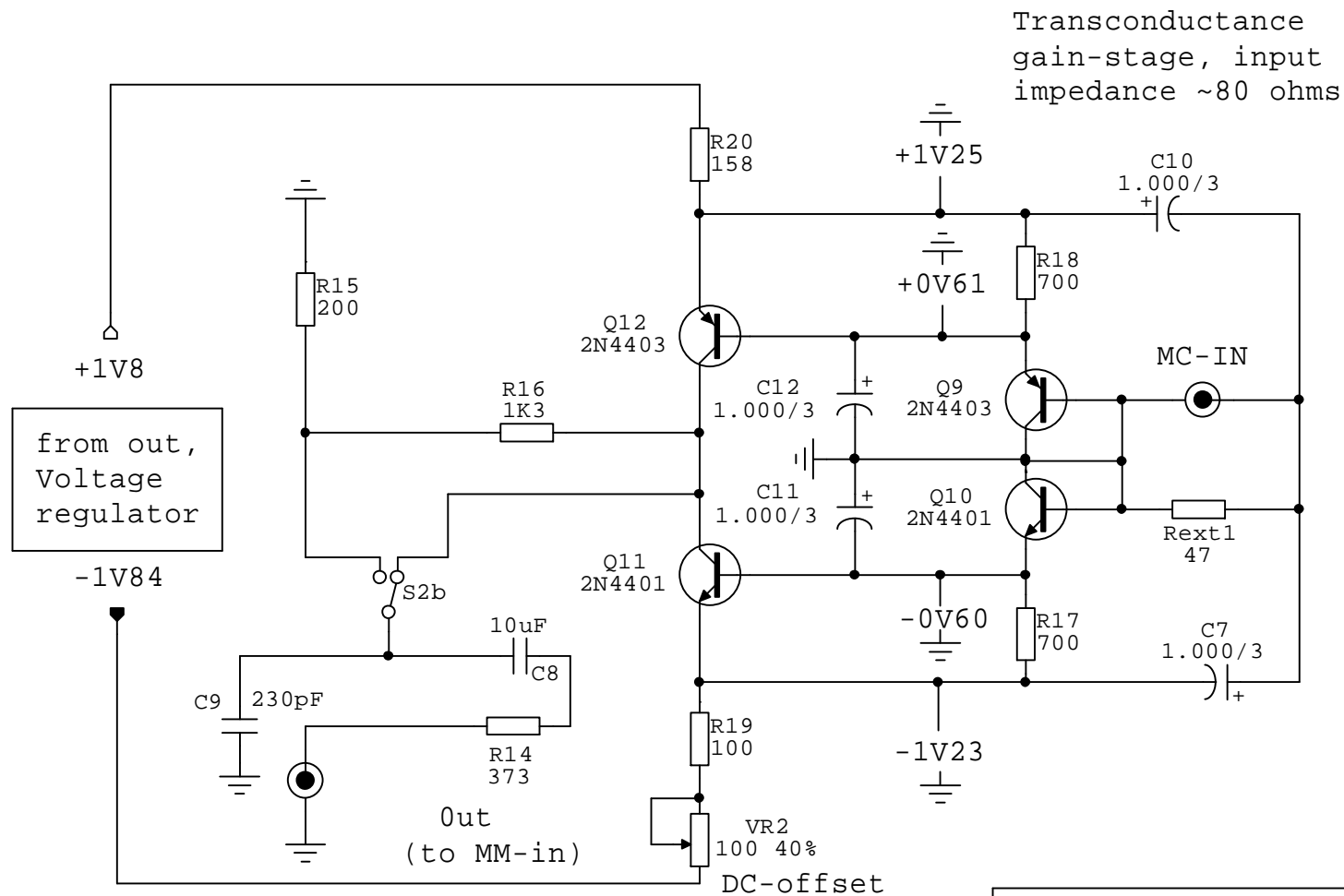
Mark Levinson
JC-1DC left



JC-1DC, solder site, without ground wires

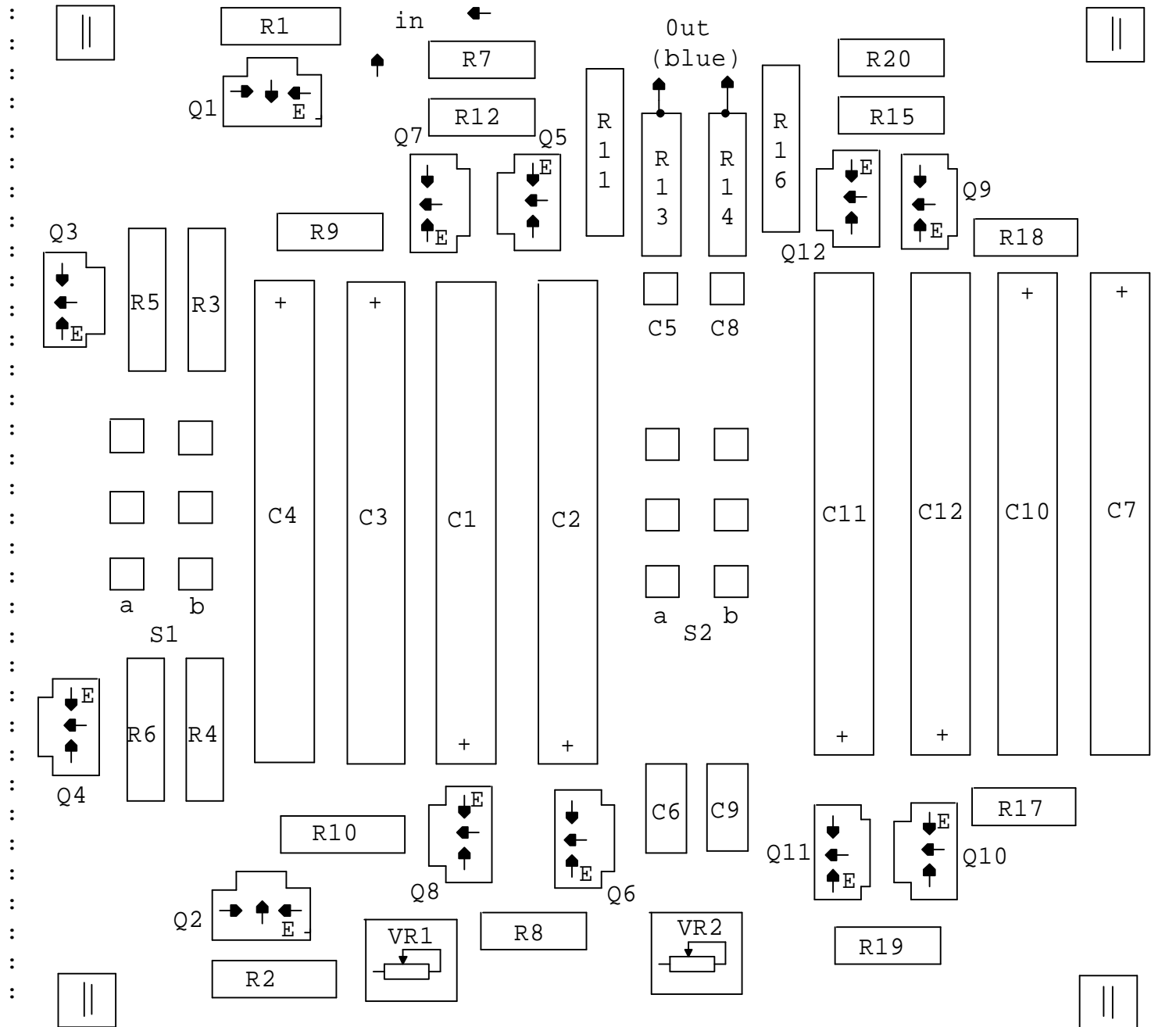


JC-1DC, solder site, only ground wires

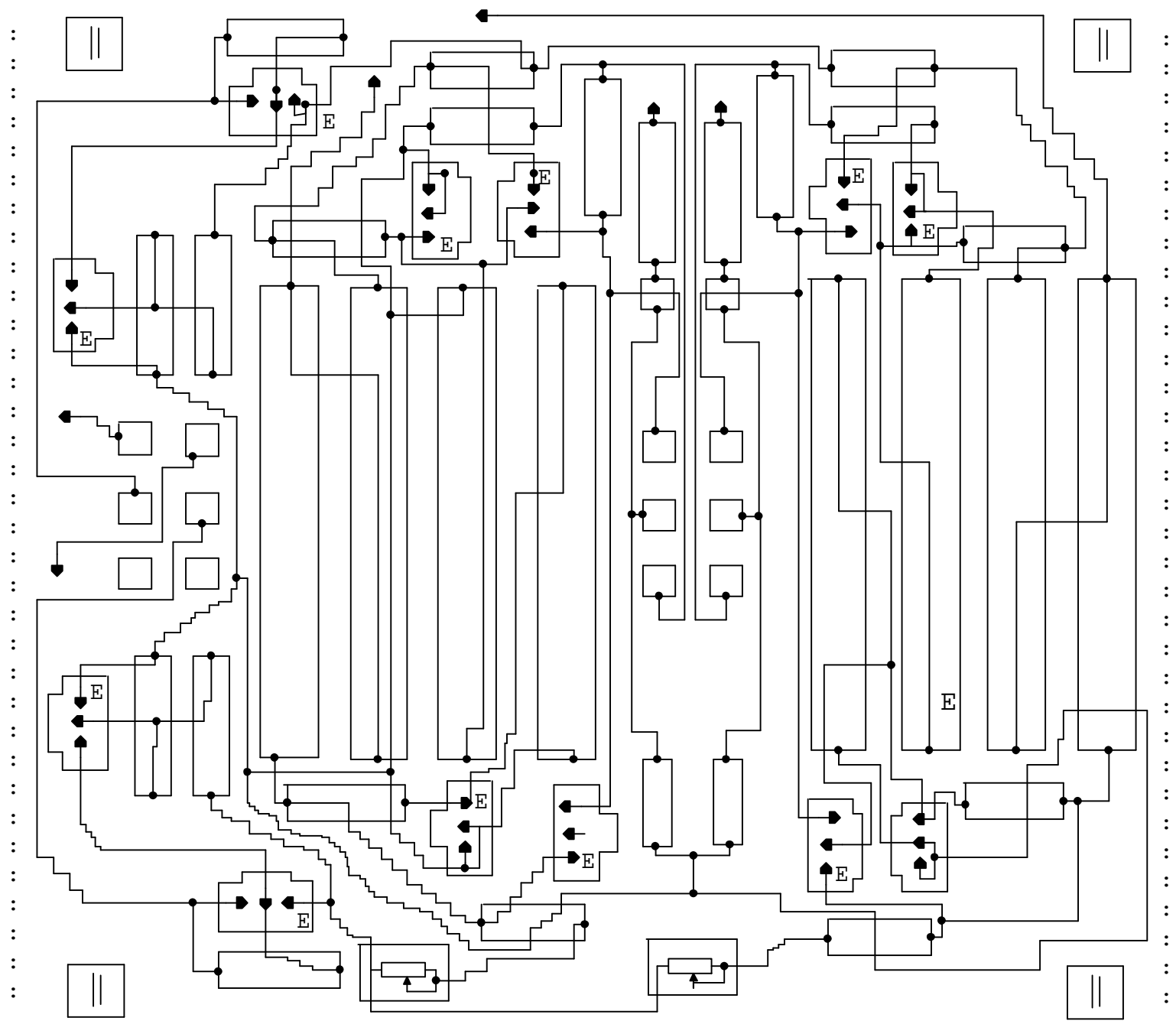


Transconductance
gain-stage, input
impedance ~80 ohms

Mark Levinson
JC-1DC right



JC-1DC, solder site, allocation electronic components



JC-1DC, solder site, complete layout