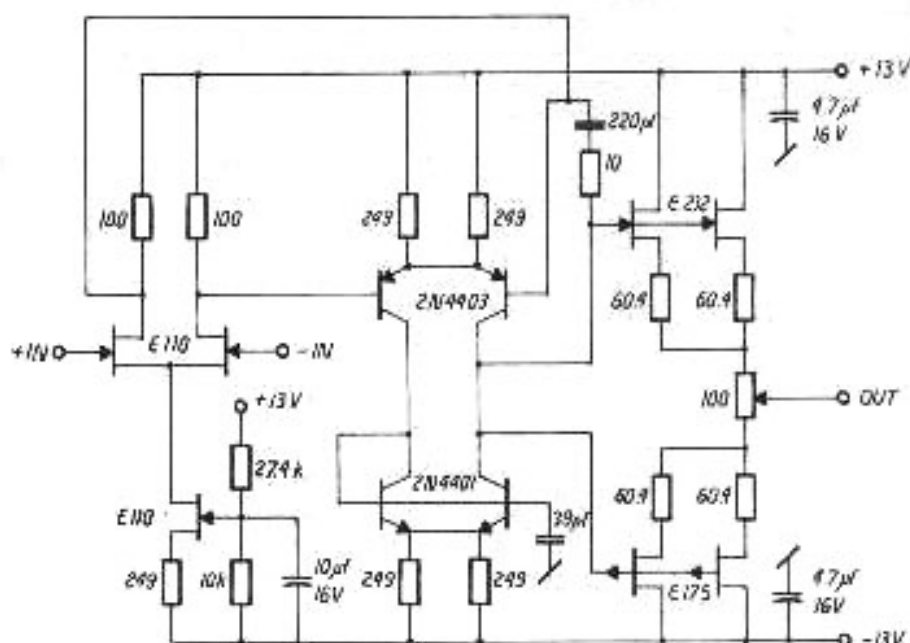


CLASSIC CIRCUITS

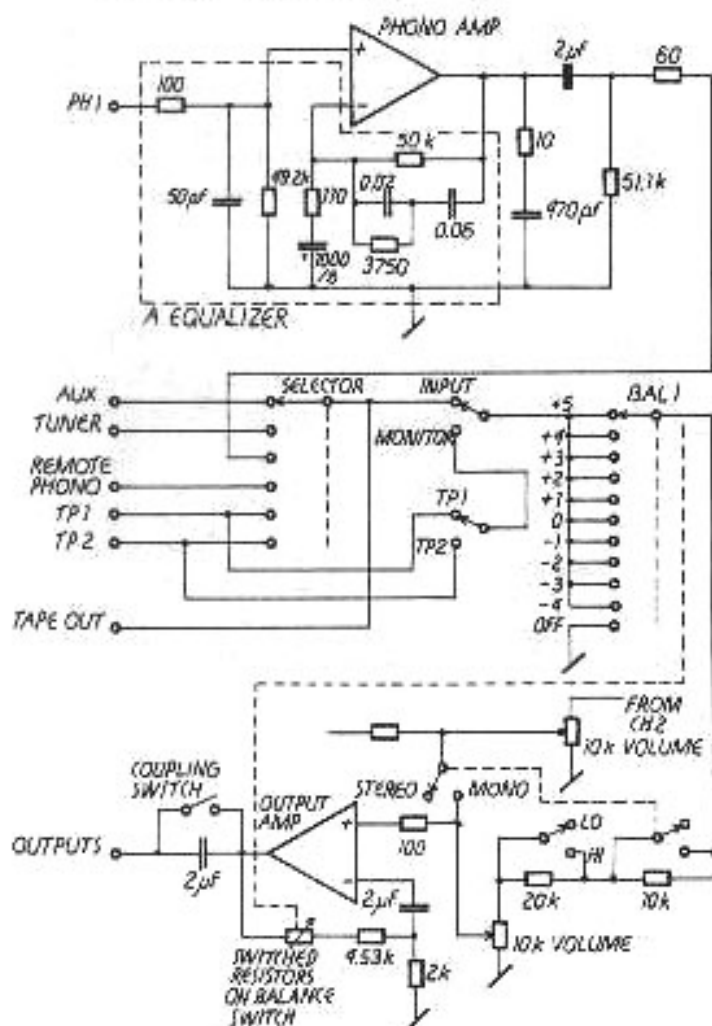
John Curl writes: Herewith the basic schematics for the JC-2, from 1973-1976. The circuits are not easy to build, as they require matching of components to work properly. It is possible, however, to construct them with a moderate investment in extra ICs to get matched pairs.

PHONO PREAMP MODULE



SILICONIX E110 MATCHED TO 1V
SILICONIX E212/E175 I_{DSS} MATCHED TO 1mA

JC-2 1973-1976



OUTPUT AMPLIFIER MODULE

