

- NOTE:**
- 1 ALL RESISTORS ARE RN55, .125W MIL., 1%, & ARE IN OHMS OR IN CODE UNLESS INDICATED OTHERWISE.
  - 2 ALL CAPACITORS ARE IN MICROFARADS OR IN CODE UNLESS INDICATED OTHERWISE.
  - 3 K=10<sup>3</sup>, M=10<sup>6</sup>.
  - 4 m=10<sup>-3</sup>, μ=10<sup>-6</sup>, n=10<sup>-9</sup>, p=10<sup>-12</sup>.

Handwritten calculations:

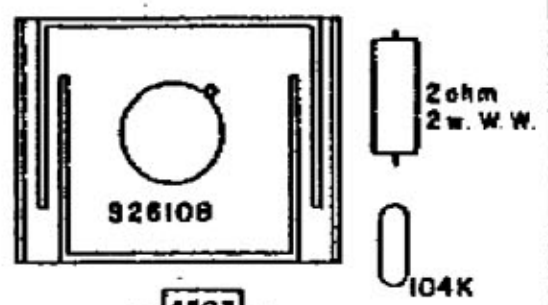
$$\frac{U1}{206} + \frac{U1}{10} = 5mV$$

$$U1 + \frac{806 U1}{10} = 806.5mV$$

$$100U1 + 806U1 = 10 \cdot 806.5mV$$

<b>ORIGINAL IF RED</b>		TOLERANCES UNLESS SPECIFIED		<b>MIDRIGAL</b> audio laboratories, inc.			
		FRACTION ±.010		2081 south main street middletown connecticut 06457 u.s.a.			
Property of <b>Madrigal Audio Laboratories Inc.</b>		DECIMAL ±.005		MATERIAL		SHEET OF	
DR. <i>D.H.</i>		ANGLE ±1/2°		USED IN <b>ML-2</b>		A B C D E R	
CH. DATE		DATE		NAME <b>AP-1, Bias &amp; Driver circuit</b>		NO. <b>S 75-1701-03-00-00</b>	
ISSUE	REVISION	DATE	SCALE				

10 ohm 10w. WIREWOUND  
10 ohm 10w. WIREWOUND  
10 ohm 10w. WIREWOUND

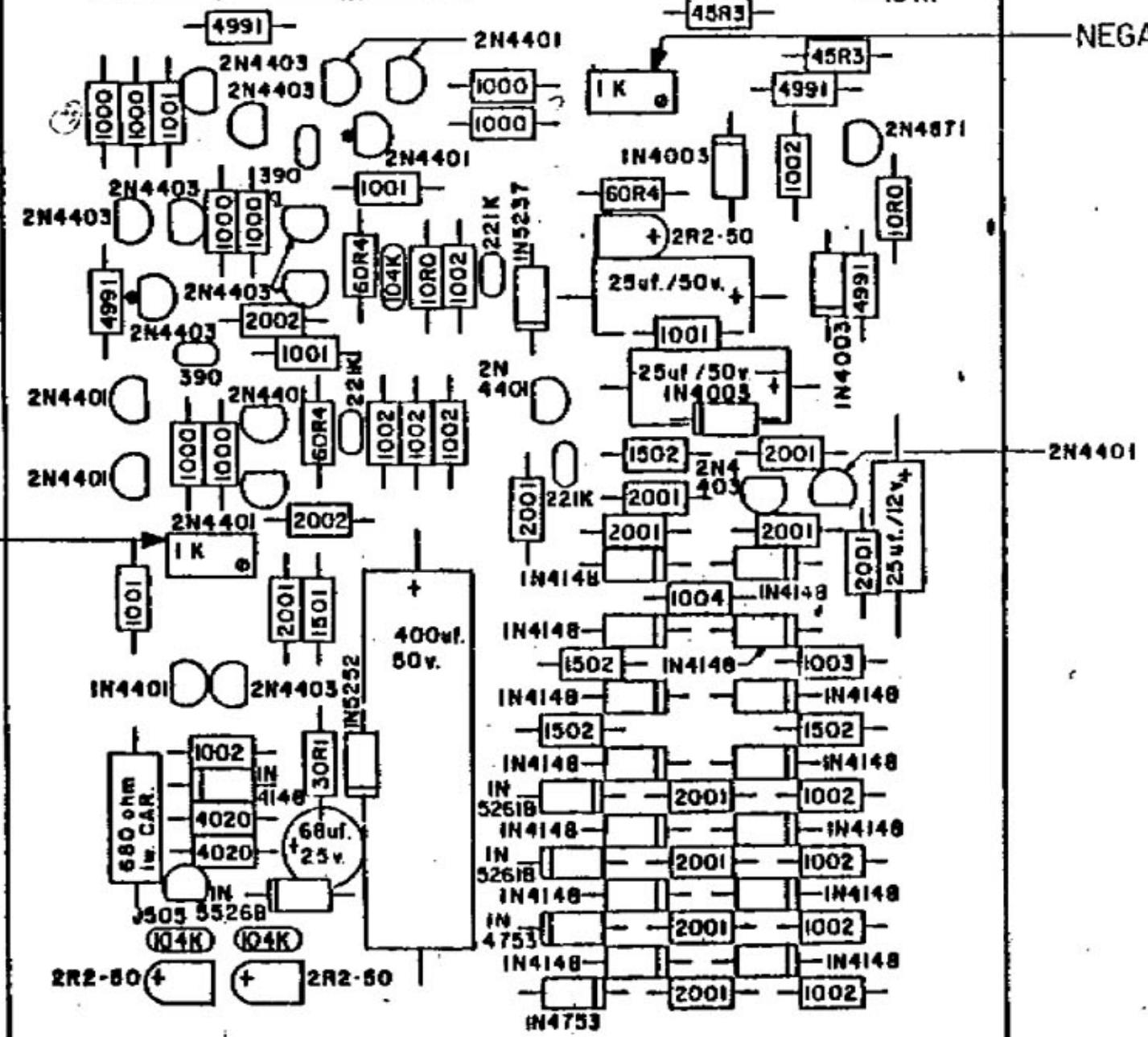


DOT DENOTES FERRITE BEAD.  
2N4401, 2N4403

NEGATIVE CONTROL

POSITIVE CONTROL

**ORIGINAL IF RED**  
Property of  
**Midrigal Audio Laboratories Inc.**



NOTE:

- 1 ALL RESISTORS ARE RN55, B IN CODE UNLESS OTHERWISE SPECIFIED.
- 2 ALL CAPACITORS ARE IN CODE UNLESS OTHERWISE SPECIFIED.
- 3 ALL STANDING COMPONENTS ARE TO BE MOUNTED WITH MOUNTING PADS.
- 4 ALL 2N4403 MAY BE SUBSTITUTED BY A55.  
ALL 2N4401 MAY BE SUBSTITUTED BY A05.

ELCO CONTACTS  
11 PLACES TYP.

1 2 5 6 7 8 9 10 12 13 14

		TOLERANCES UNLESS SPECIFIED		MIDRIGAL audio laboratories, Inc.			
		FRACTION 1/10					
		DECIMAL 1.00		MATERIAL		SHEET OF	
		ANGLE 1/8"		USED IN		A B C D E	
A REDRAWN		BY 612 81		ML-2		NO.	
REVISION		DATE		NAME		75-1703-01-00 00	
		SCALE		RP-1			

# SIDE VIEW

RED 120V  
BROWN 100V

BLACK 0V

RED/YELLOW 120V  
BROWN/YELLOW 100V

BLACK/YELLOW 0V

60V BLUE

30V GREEN

0V PINK

60V BLUE/YELLOW

30V GREEN/YELLOW

0V PINK/YELLOW

TOLERANCES  
UNLESS SPECIFIED

FRACTION  $\pm .010$

DECIMAL  $\pm .005$

ANGLE  $\pm 1/2^\circ$

DR. *A. Chappell* DATE 1/16/81

CH. DATE

ISSUE

REVISION

DATE

SCALE

1:1

**mark**  
**evinson**

audio systems, ltd

55 circular avenue hamden connecticut 06514 u.s.a.

MATERIAL  
**SEE NOTE 9**

USED IN

NAME

**Toroidal Power Transformer**

SHEET

OF

A

B

C

D

E

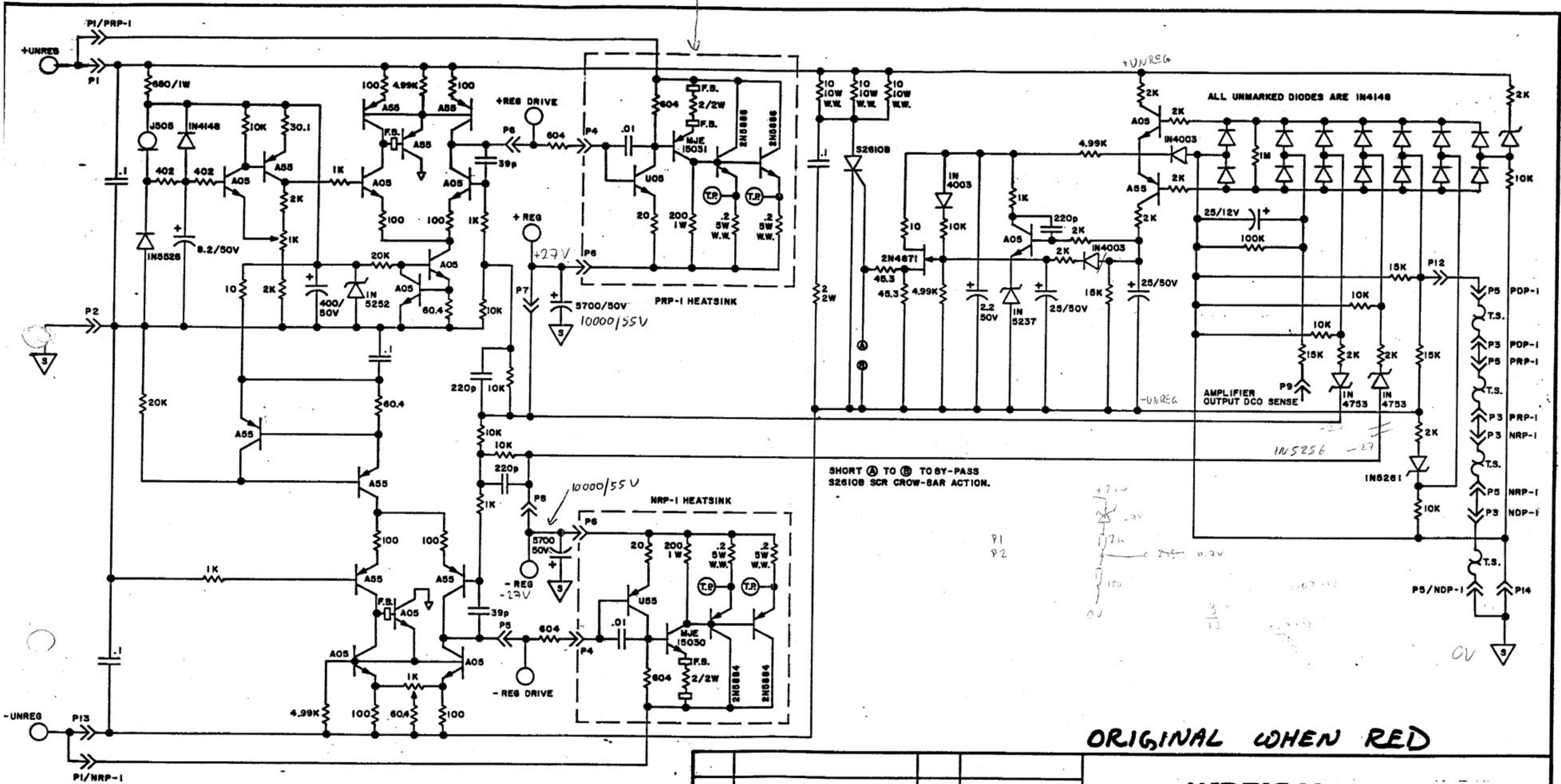
R

NO.

**94-0072-40**

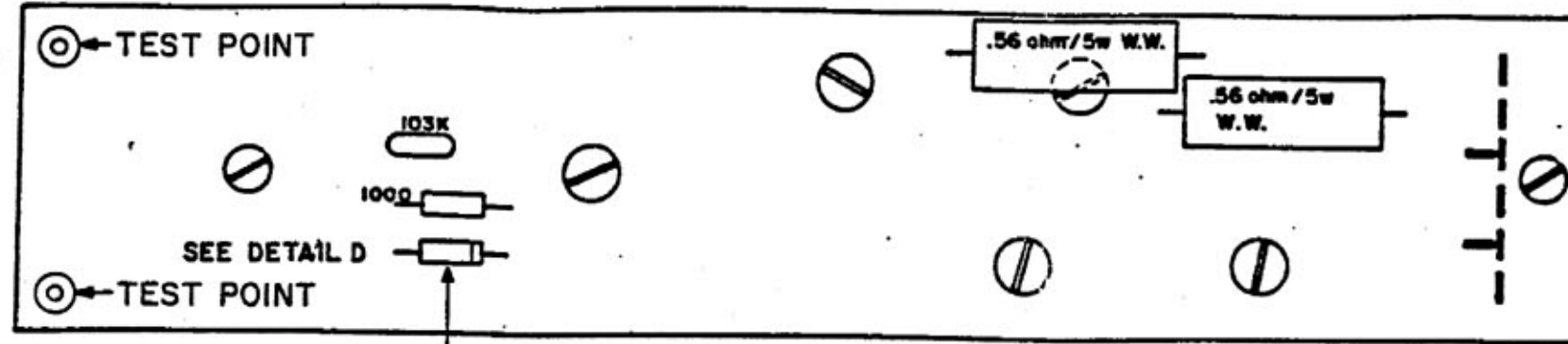
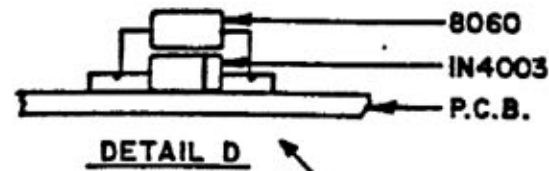
FT 417 XM7E 15031

No 1497 har M7E 15031

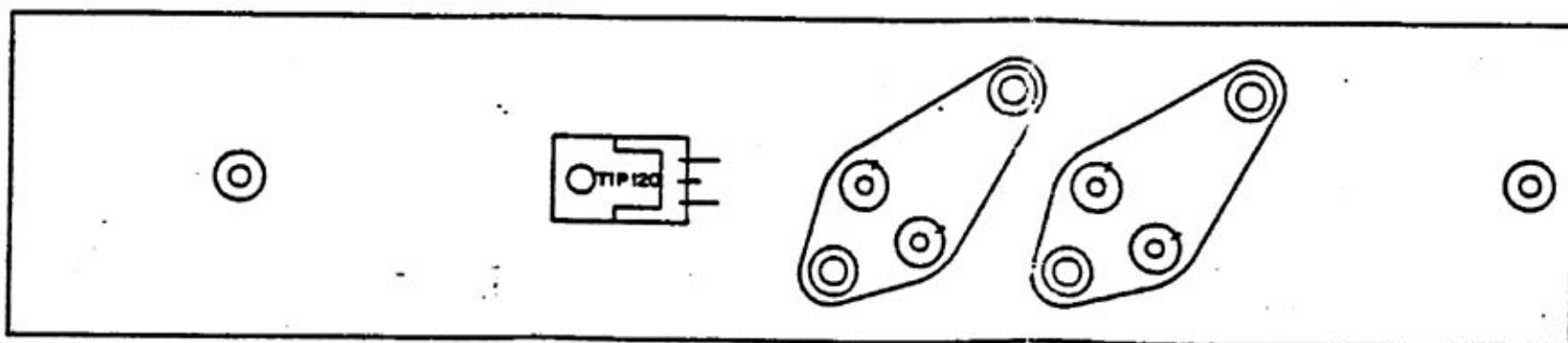
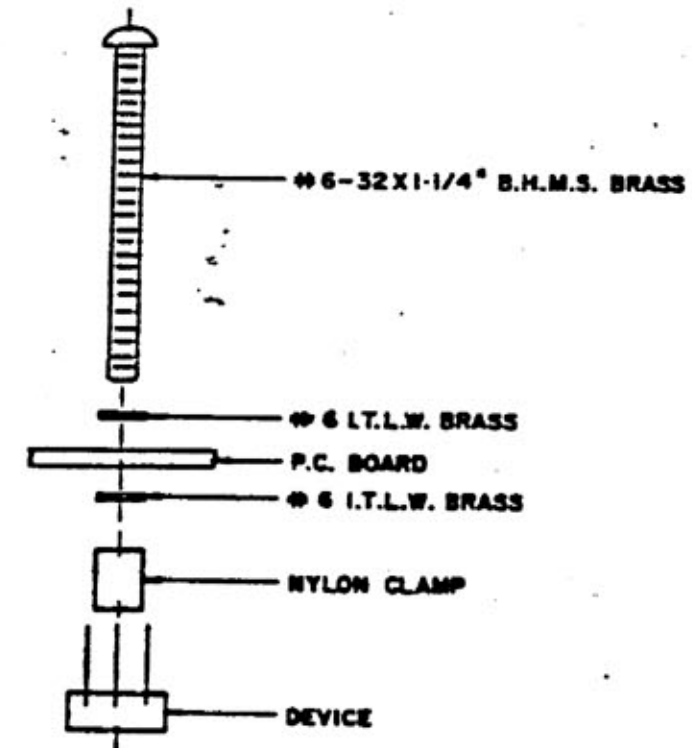
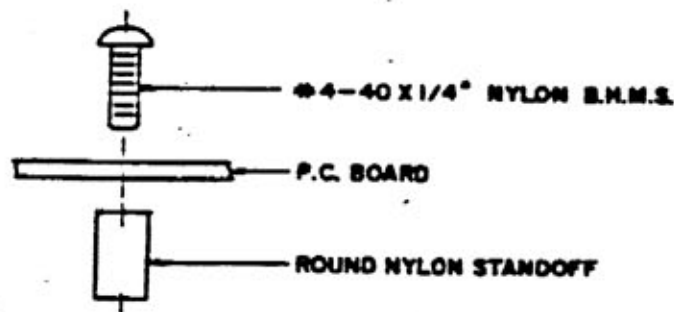
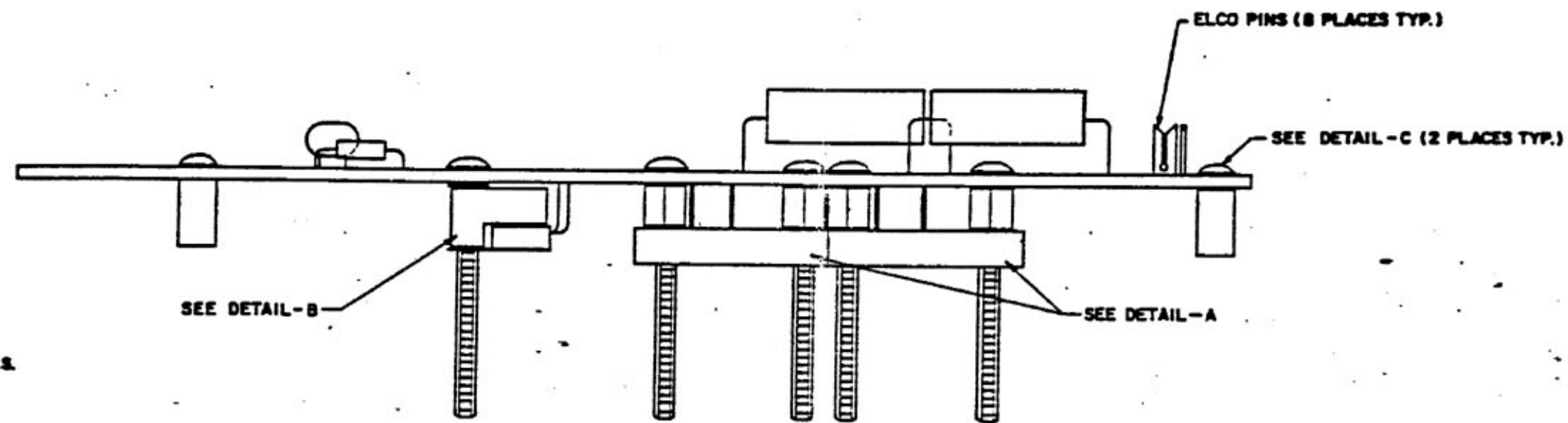
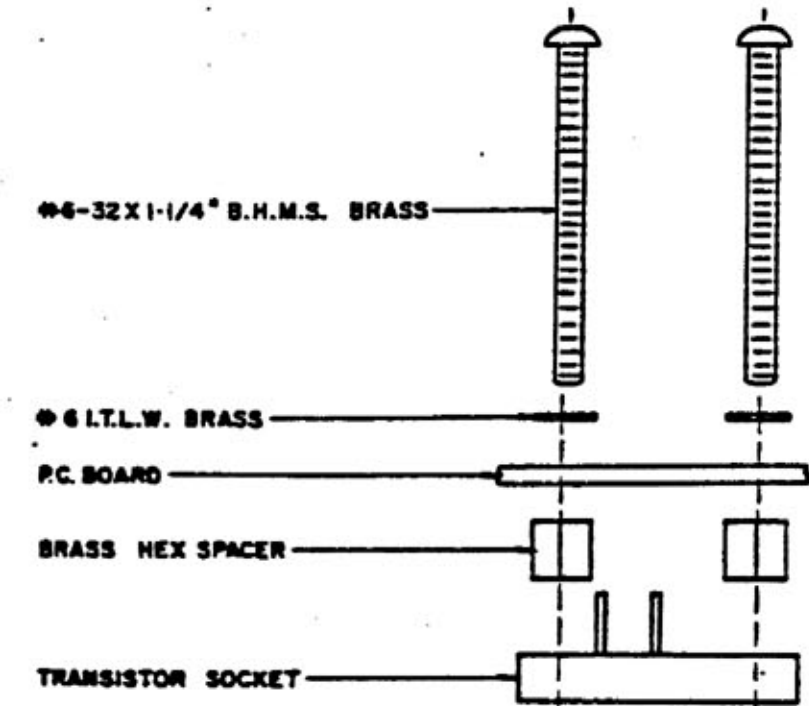


ORIGINAL WHEN RED

		TOLERANCES UNLESS SPECIFIED		<b>MADRIGAL</b> audio laboratories, inc. 2081 south main street middletown connecticut 06457 u.s.a.							
		FRACTION $\pm 0.010$									
		DECIMAL $\pm 0.005$									
		ANGLE $\pm 1/2^\circ$									
		DR. <i>A.M.</i>	DATE 5-2-86	MATERIAL		SHEET	OF				
		CH.	DATE	USED IN ML-2		A	B	C	D	E	R
ISSUE	REVISION	DATE	SCALE	NAME Regulated Supply & Fault Protection		NO. S-75-1703-00-00-00					



PARALLEL 1pc. 806 ohm RN55 RESISTOR  
ACROSS THIS IN4003 DIODE.



DRAWING No 2

**ORIGINAL IF RED**  
Property of  
Madrigal Audio Laboratories Inc.

NOTE:  
1 ALL CAPACITORS ARE IN CODE UNLESS OTHERWISE SPECIFIED.  
2 ALL RESISTORS ARE RN55, & ARE IN CODE UNLESS OTHERWISE SPECIFIED.  
3 INSTALL MOUNTING PADS ON ALL STANDING COMPONENTS.

TOLERANCES UNLESS SPECIFIED		MADRIGAL AUDIO LABORATORIES, INC.	
FRAC TION	ANGLES	SHEET	OF
C ECN 0032	2-29	7	83
B Change 40.2 ohm to 100 ohm 4-23	DATE 10-24-77	ML-2	
A Change 75 ohm to 40.2 ohm 8-29	DATE	PBP-1	75-1713-01-00-00