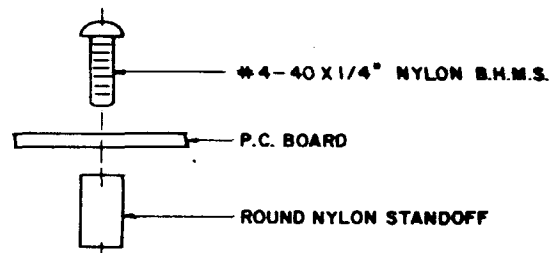
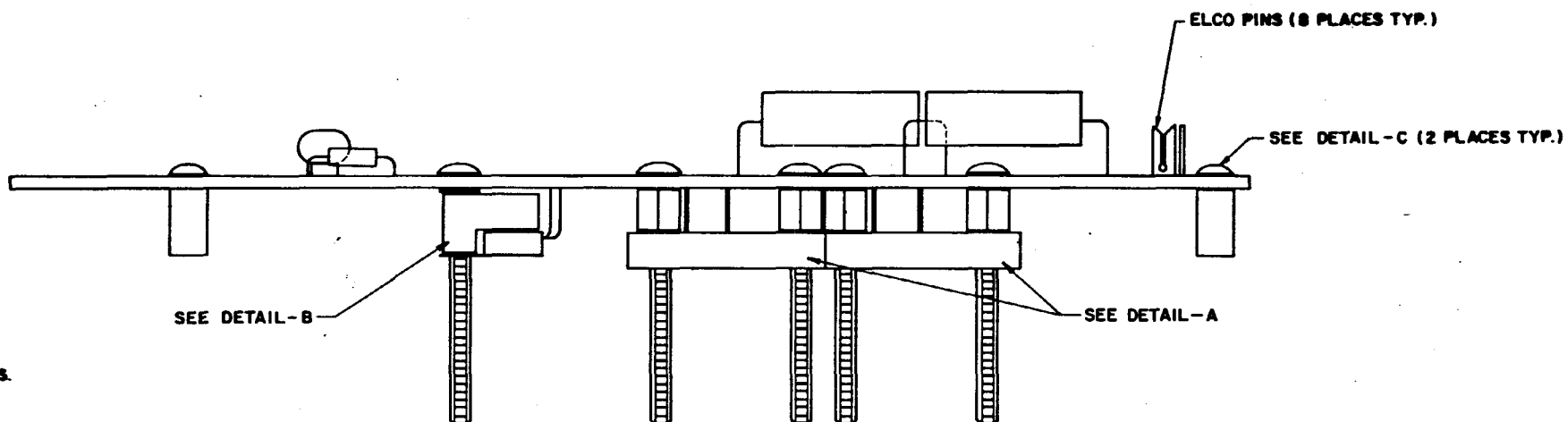
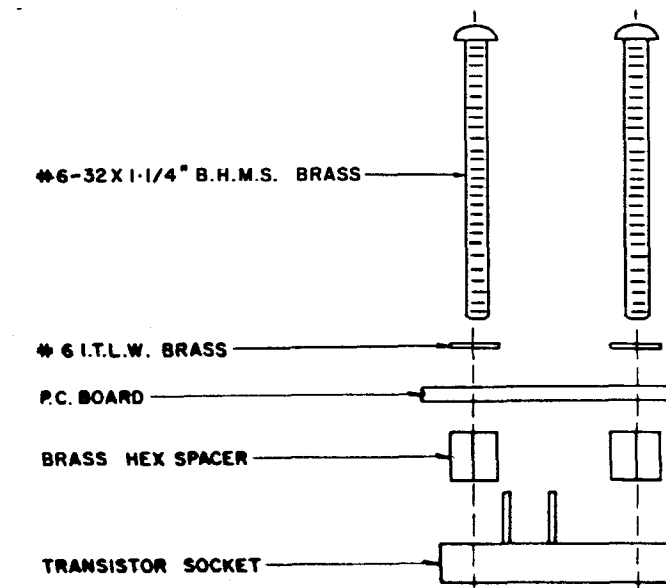
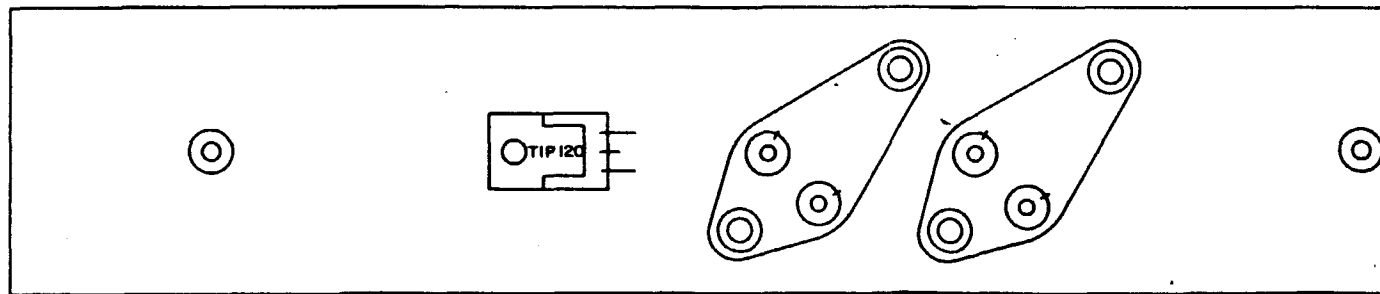


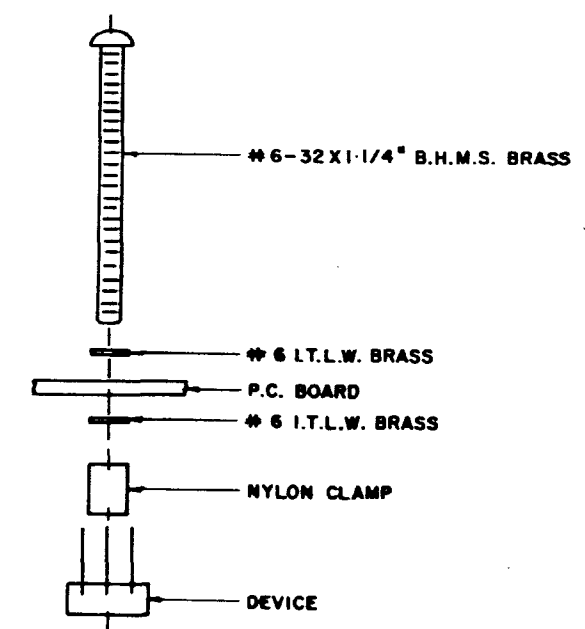
COMPONENT SIDE



DETAIL - C



SOLDER SIDE

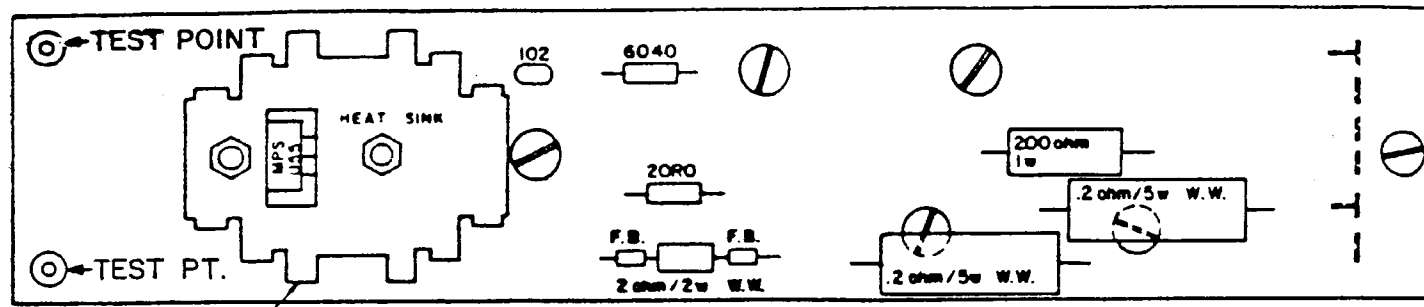


DETAIL - B

- NOTE:
1 ALL CAPACITORS ARE IN CODE UNLESS OTHERWISE SPECIFIED.
2 ALL RESISTORS ARE RN55, & ARE IN CODE UNLESS OTHERWISE SPECIFIED.
3 INSTALL MOUNTING PADS ON ALL STANDING COMPONENTS.

TOLERANCES UNLESS SPECIFIED		FRACTION 1/32		DECIMAL 1.008		ANGLE 1:1		MATERIAL		SHEET		OF	
C ECN 0032		2-29		DATE		DRAWN		ML-2		77		83	
B Change 40.2 ohm to 100ohm		4-23		DATE		S.C. 11-25-77		NAME		PBP-1		75-1713-01-00-00	
A Change 75 ohm to 402ohm		8-29		DATE		SCALE		NAME		PBP-1		75-1713-01-00-00	

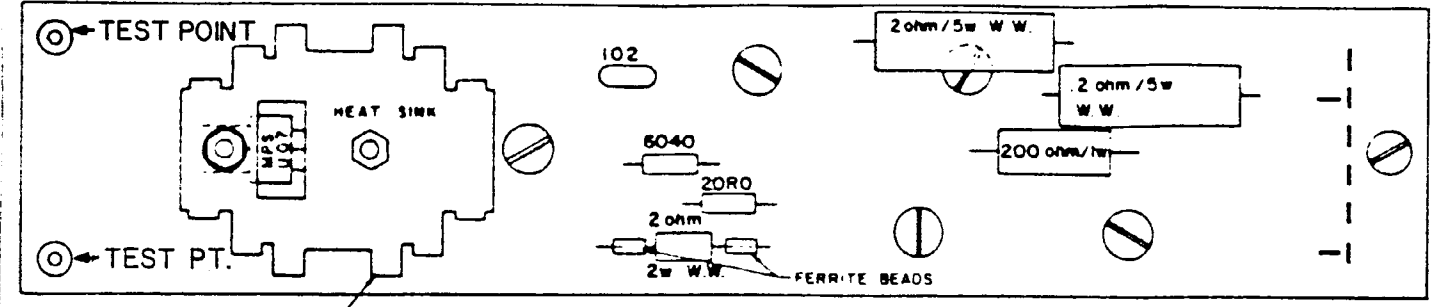
MIDRIGAL audio laboratories, inc



COMPONENT SIDE

NRP-1

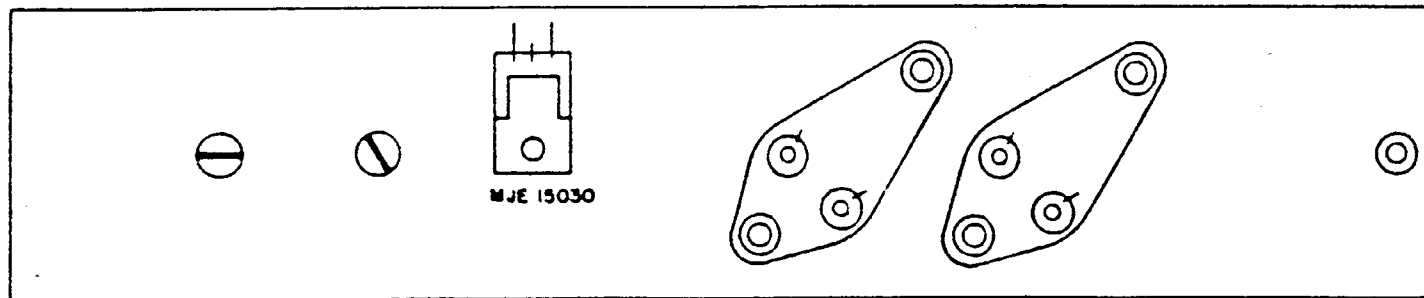
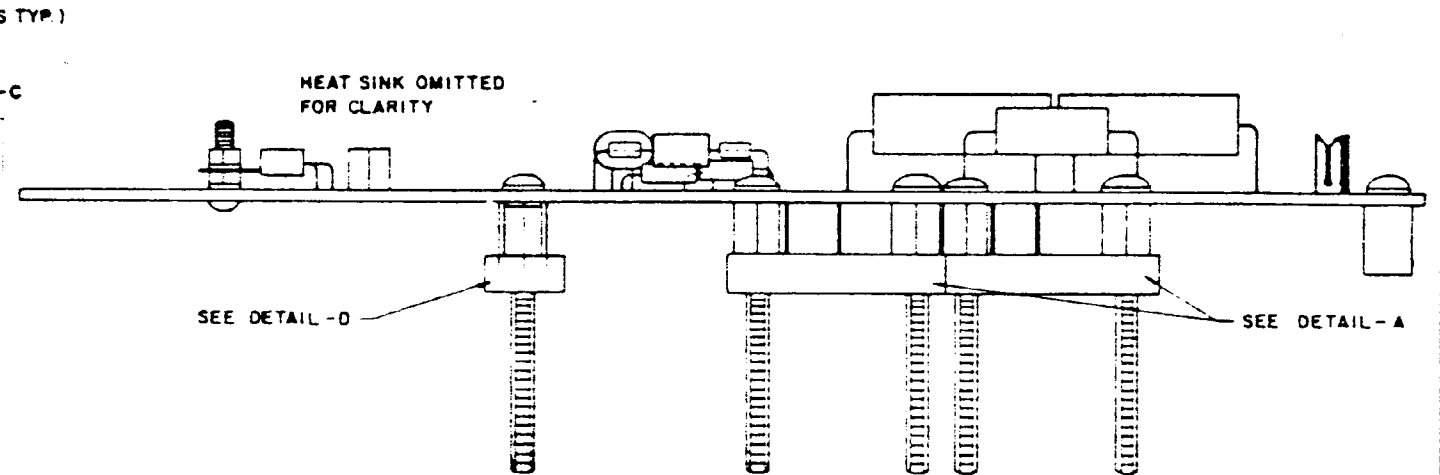
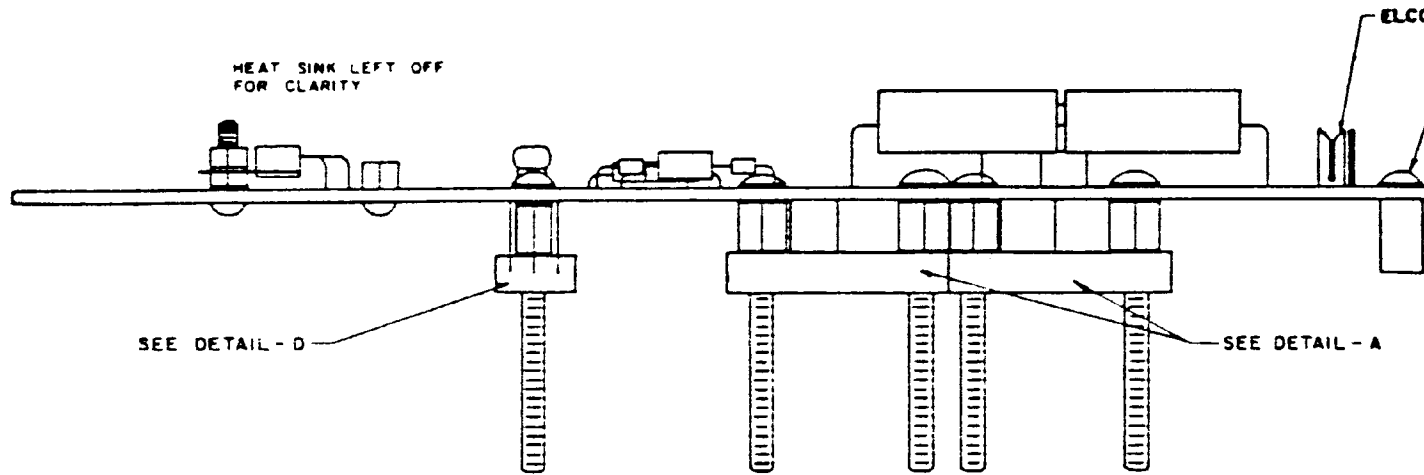
SEE DETAIL - B



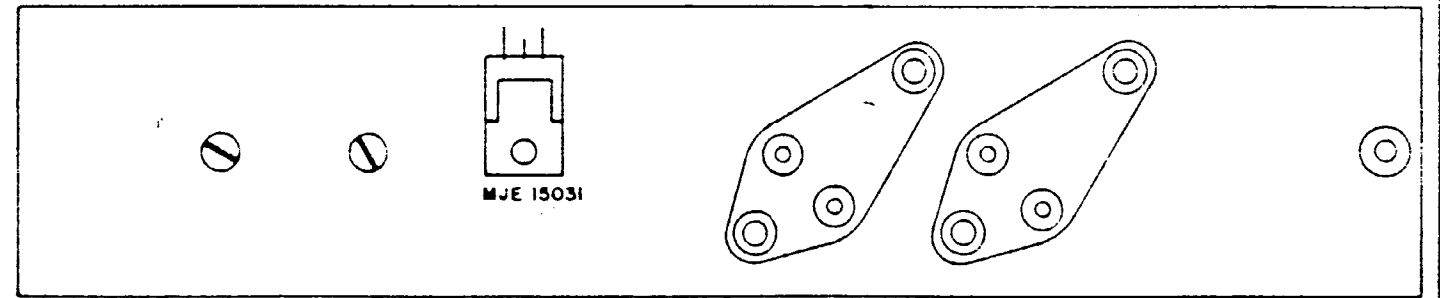
COMPONENT SIDE

PRP-1

SEE DETAIL - B



SOLDER SIDE



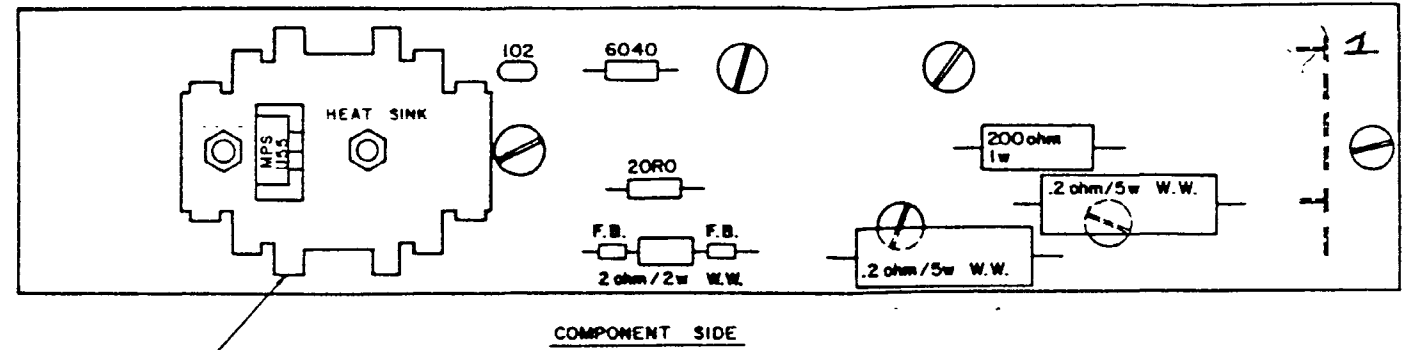
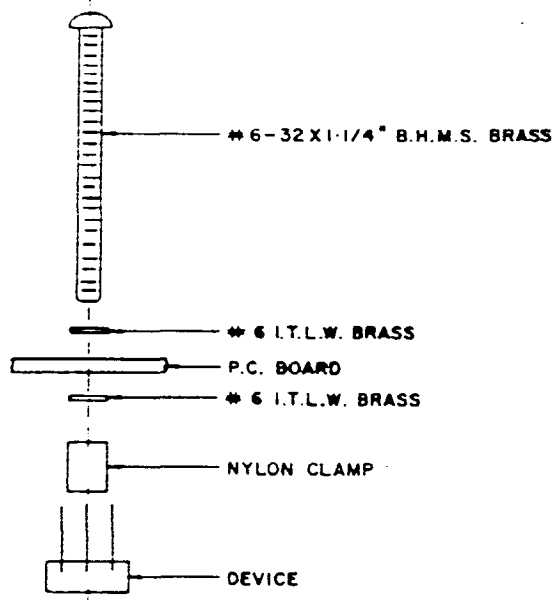
SOLDER SIDE

DRAWING No 1

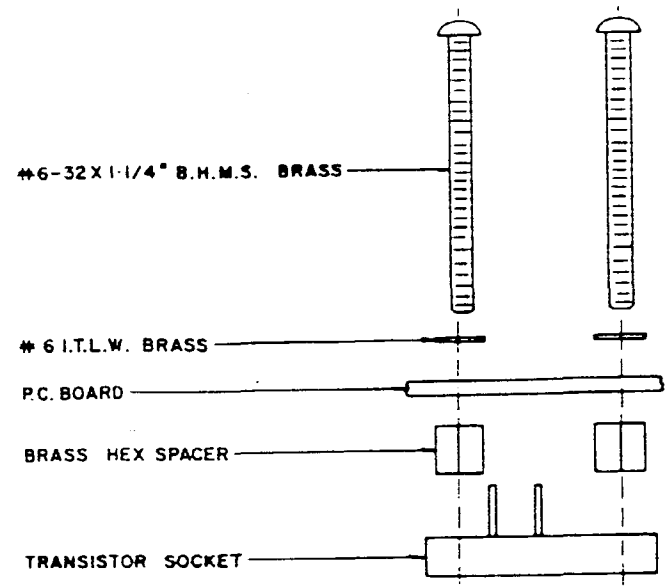
NOTE

- 1 ALL CAPACITORS ARE IN CODE UNLESS OTHERWISE SPECIFIED
- 2 ALL RESISTORS ARE RN55, B ARE IN CODE UNLESS OTHERWISE SPECIFIED
- 3 INSTALL MOUNTING PADS ON ALL STANDING COMPONENTS.

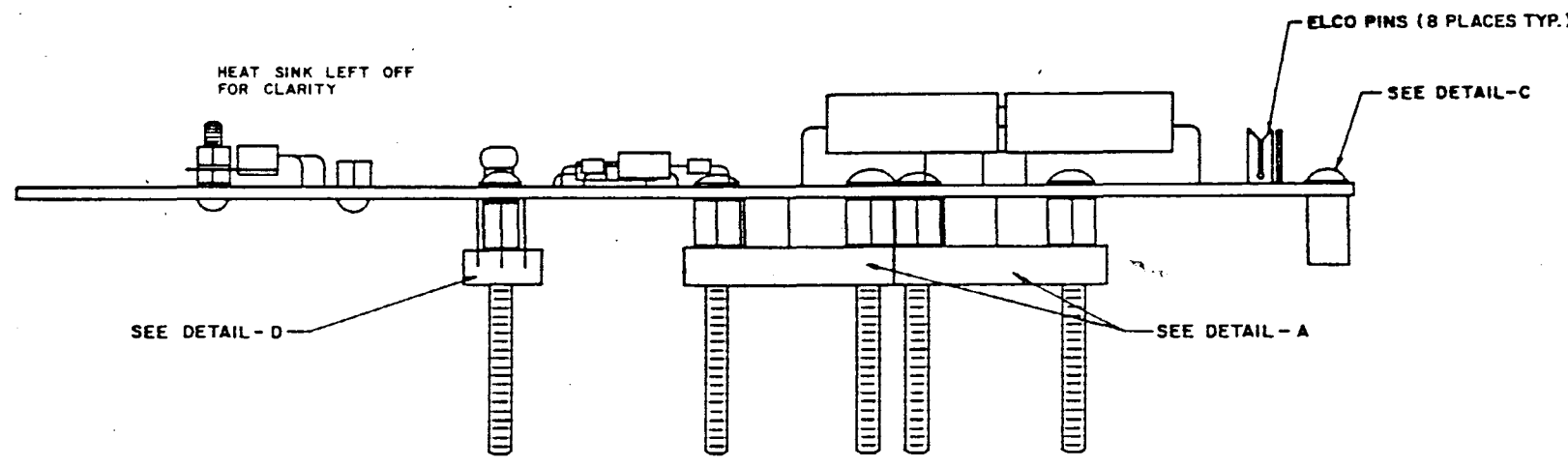
ORIGINAL IF RED Property of Midrigal Audio Laboratories Inc.				TOLERANCES UNLESS SPECIFIED		MIDRIGAL audio laboratories, inc. 2081 south main street middletown connecticut 06457 u.s.a.					
				FRACTION ±.010							
DR. <i>P.M.</i>		DATE 4-29-86		MATERIAL		SHEET		OF			
CH.		DATE		USED IN ML-2		A	B	C	D	E	R
ISSUE	REVISION	DATE	SCALE	NAME PRP-1 / NRP-1		NO. 75-1711-01-00-00 75-1714-01-00-00					



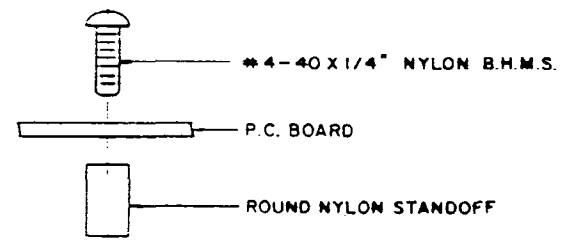
SEE DETAIL - B



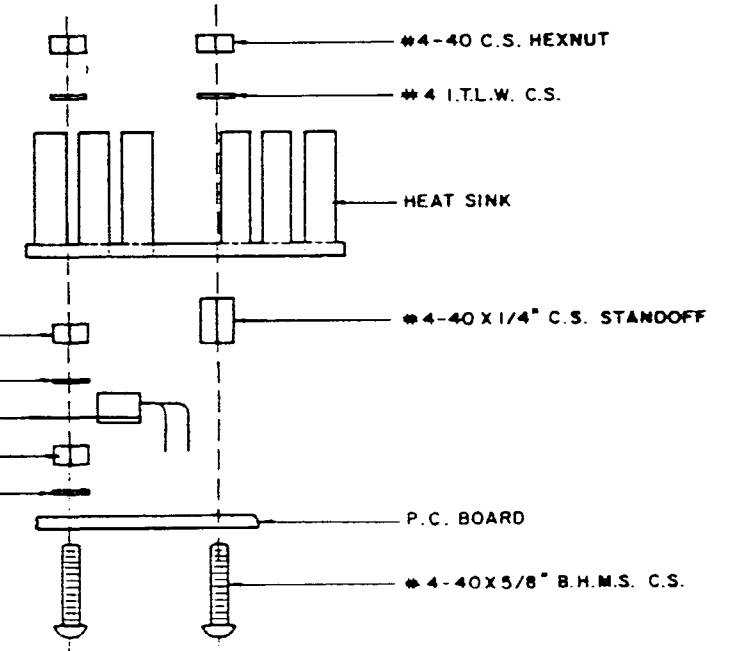
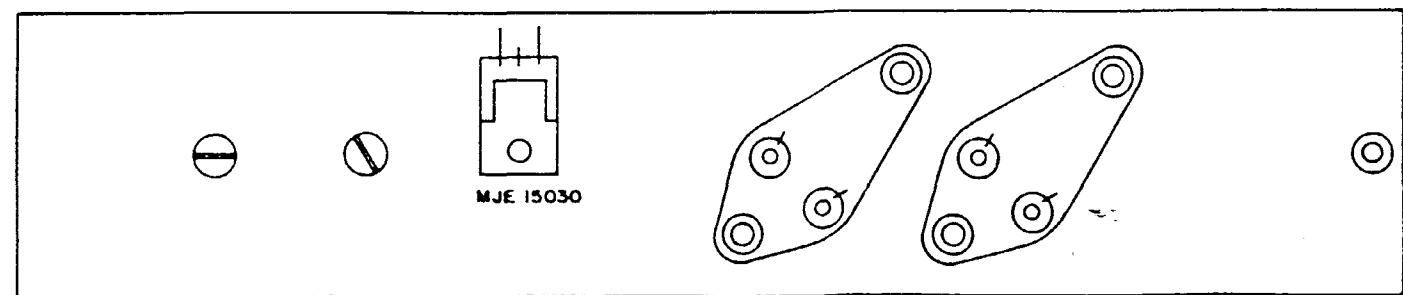
DETAIL - A



DETAIL - D



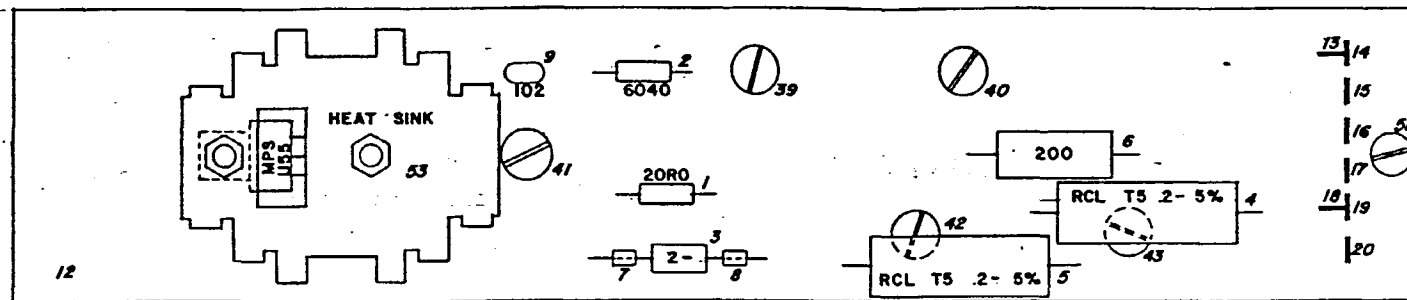
DETAIL - C



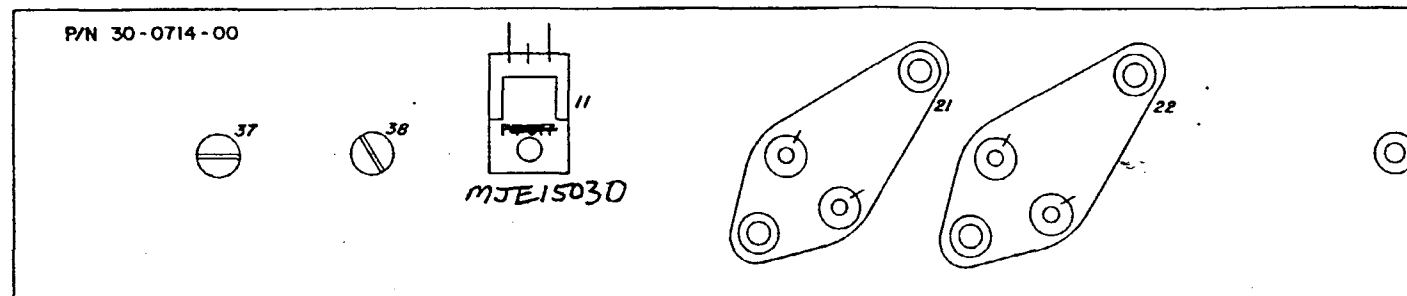
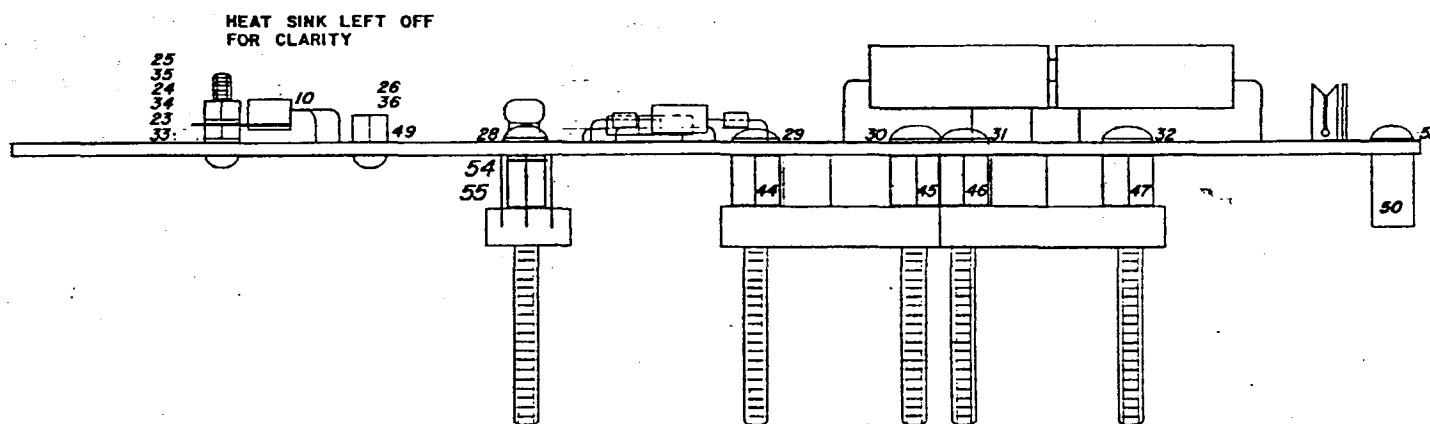
DETAIL - B

- NOTE:
1. ALL CAPACITORS ARE IN CODE UNLESS OTHERWISE SPECIFIED.
 2. ALL RESISTORS ARE RN55, B ARE IN CODE UNLESS OTHERWISE SPECIFIED.
 3. INSTALL MOUNTING PADS ON ALL STANDING COMPONENTS.

mark & evinson AUDIO SYSTEMS LTD	
DATE	75-1714-01-00-00
REV	
BY	
CHKD	
DATE	
NO.	ML-2
NAME	NRP-1



COMPONENT SIDE

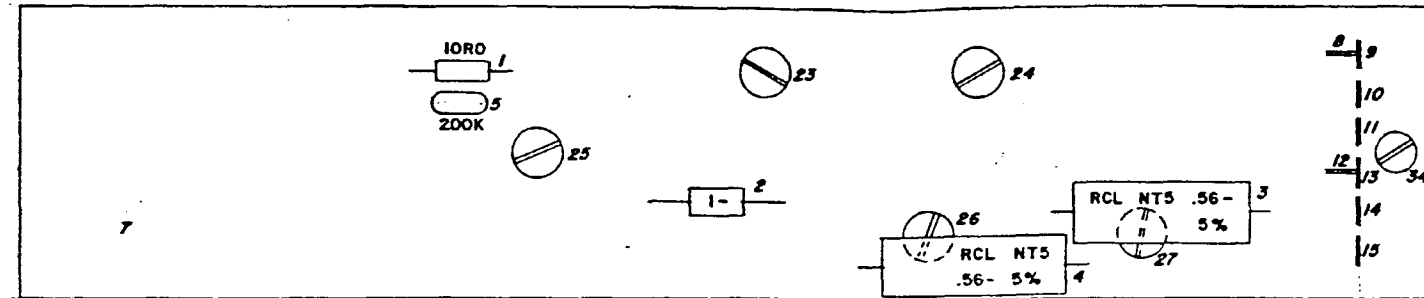


SOLDER SIDE

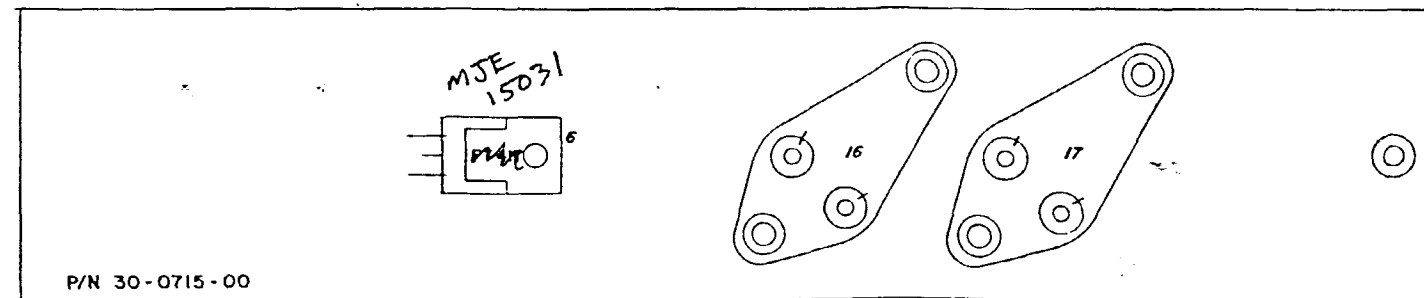
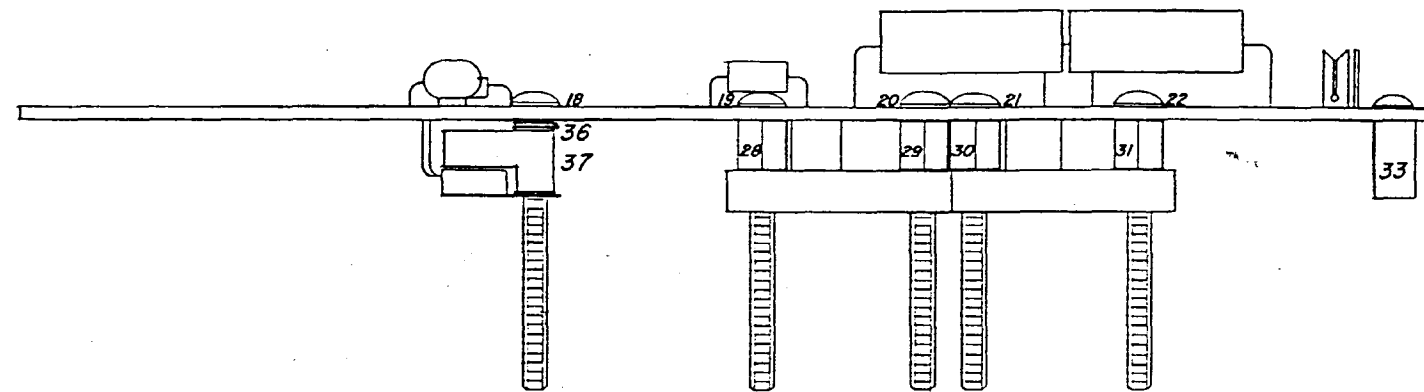
NRP-1

A-7

TOLERANCES UNLESS SPECIFIED		FRACTION 1/32		DECIMAL 1.00		ANGLE 1°		DR. S.C. 11-29-77		DATE		NAME		NO.	
MATERIAL		USED IN		ML-2		REVISION		DATE		SCALE		NRP-1		94-0714-15	
MARKET evinson audio systems, inc.		SHEET		OF		A		B		C		D		E	



COMPONENT SIDE



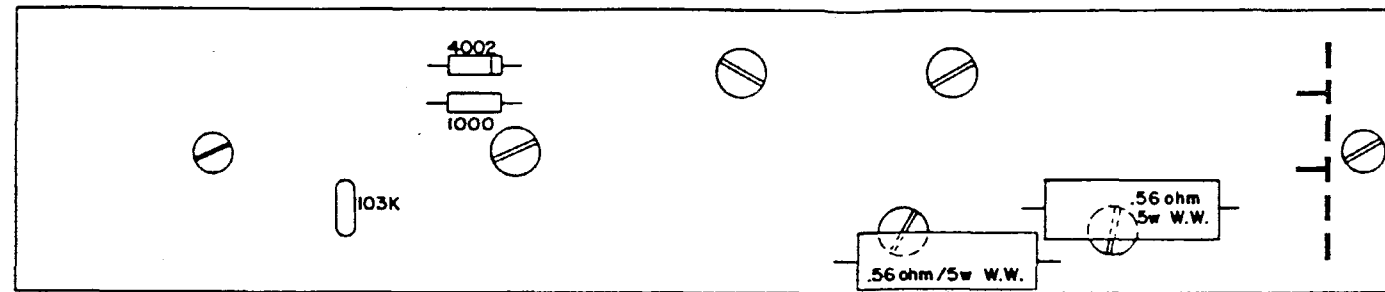
P/N 30-0715-00

SOLDER SIDE

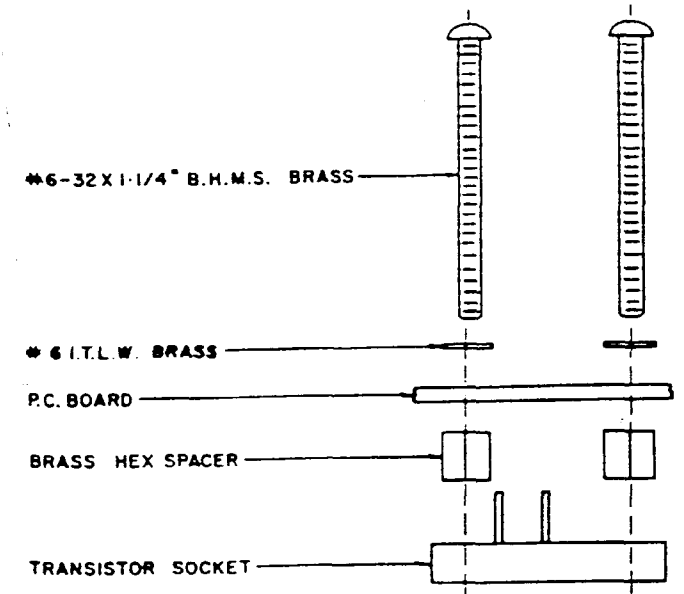
NDP-1

A-8

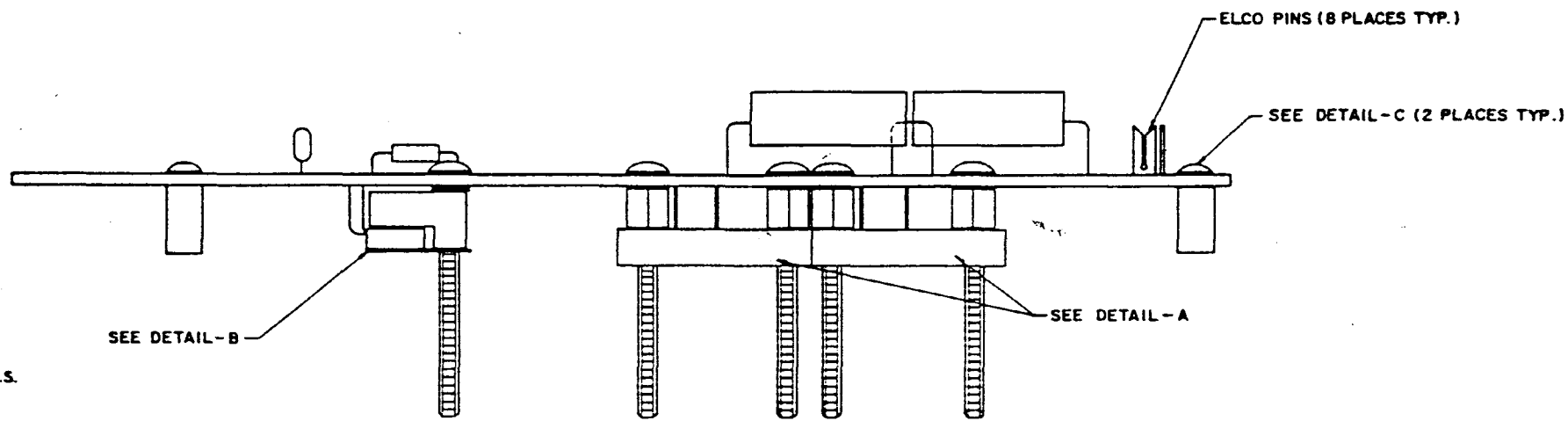
TOLERANCES UNLESS SPECIFIED		mark evinson audio systems, inc.	
FRACTION 1/32		50 OTHER DIMENSIONS UNLESS OTHERWISE SPECIFIED	
DECIMAL 1.000		MATERIAL	
ANGLE 90°		SHEET 1 OF 1	
DATE		REVISED IN	
BY B.C.		ML-2	
DATE		NAME	
ISSUE		NDP-1	
REVISION		DATE SCALE	
		94-0715-15	



COMPONENT SIDE



DETAIL - A

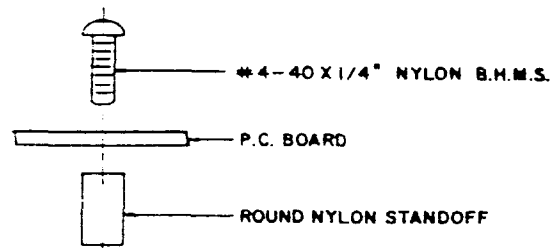


SEE DETAIL - B

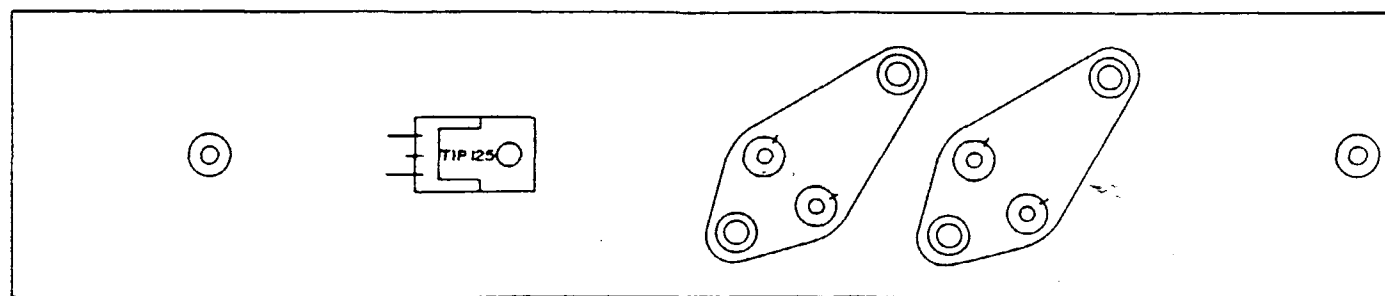
ELCO PINS (8 PLACES TYP.)

SEE DETAIL - C (2 PLACES TYP.)

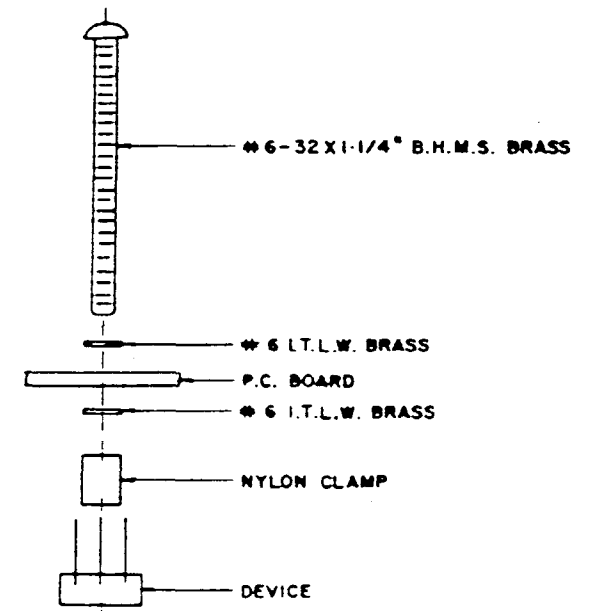
SEE DETAIL - A



DETAIL - C



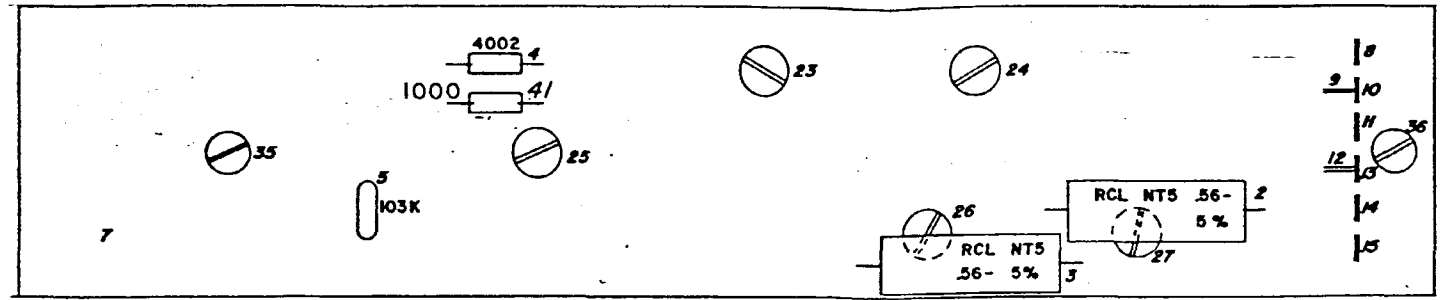
SOLDER SIDE



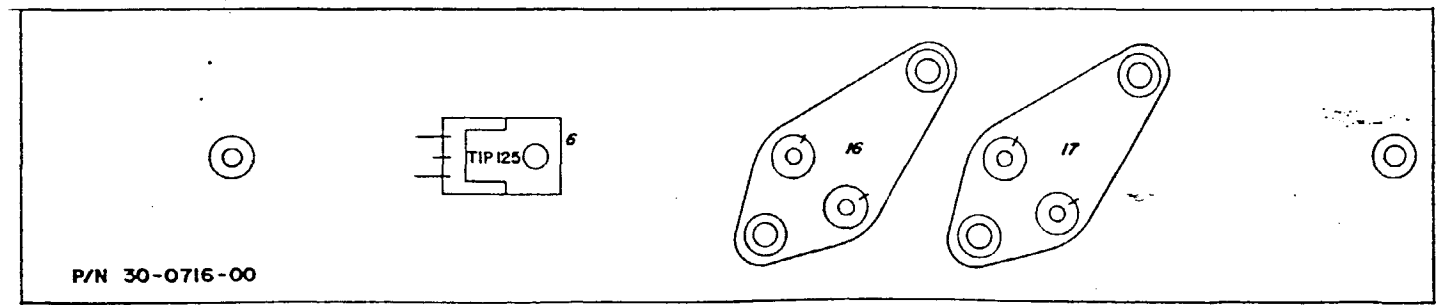
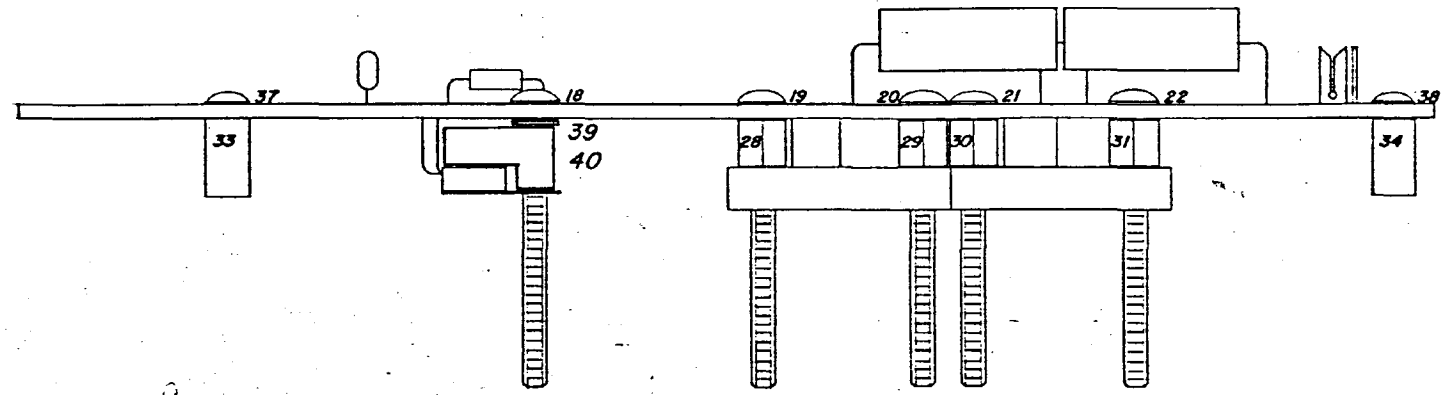
DETAIL - B

- NOTE:
- 1 ALL CAPACITORS ARE IN CODE UNLESS OTHERWISE SPECIFIED.
 - 2 ALL RESISTORS ARE RN55, B ARE IN CODE UNLESS OTHERWISE SPECIFIED.
 - 3 INSTALL MOUNTING PADS ON ALL STANDING COMPONENTS.

TOLERANCES UNLESS SPECIFIED		mark & evinson audio systems inc	
FRACTION 1/32	DECIMAL .005	MATERIAL	SHEET 01
ANGLE 1/2			
B Change 40.2 ohm to 100 ohm 4-23	ML-2		
A Change 7.5 ohm to 40.2 ohm 9-29	NBP-1		75-1716 01-00-00



COMPONENT SIDE

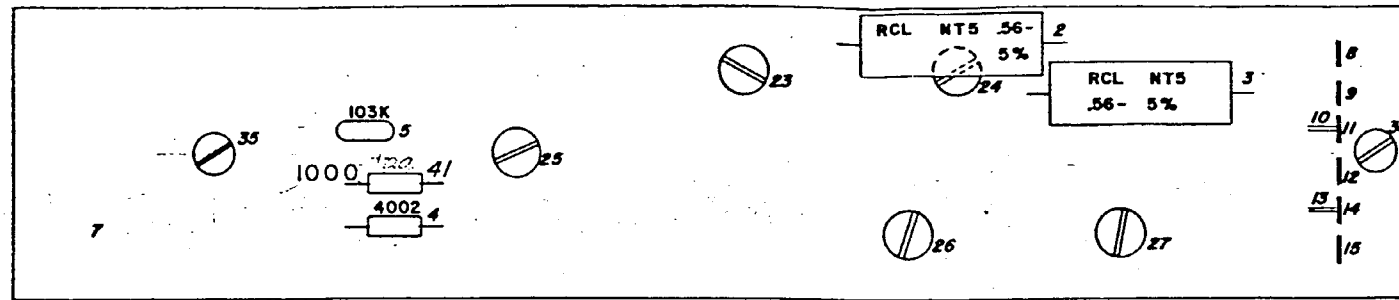


SOLDER SIDE

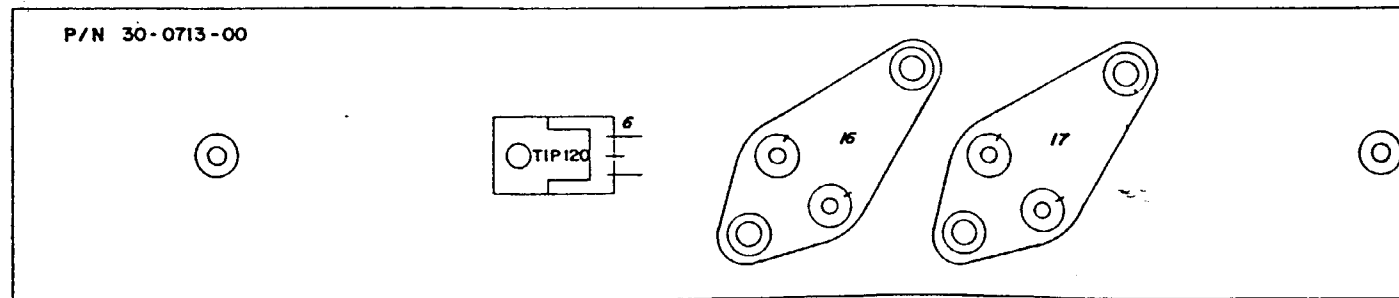
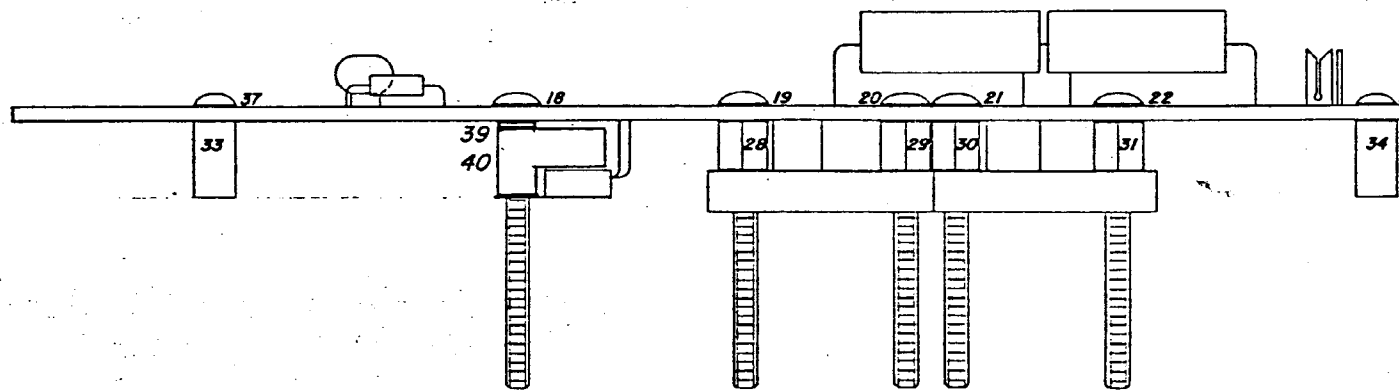
NBP-1

A-9

TOLERANCES UNLESS SPECIFIED		mark & evinson audio systems, rd	
FRACTION 1/16"	DECIMAL 0.005	54 ORION DRIVE, FARMINGTON, CONNECTICUT 06030 U.S.A.	
ANGLE 1:1	DATE	USED IN	SHEET 1 OF 1
DATE	DATE	ML-2	NO.
A Change resistor 929	DATE	NAME	94-0714-15
DATE	SCALE	NBP-1	



COMPONENT SIDE

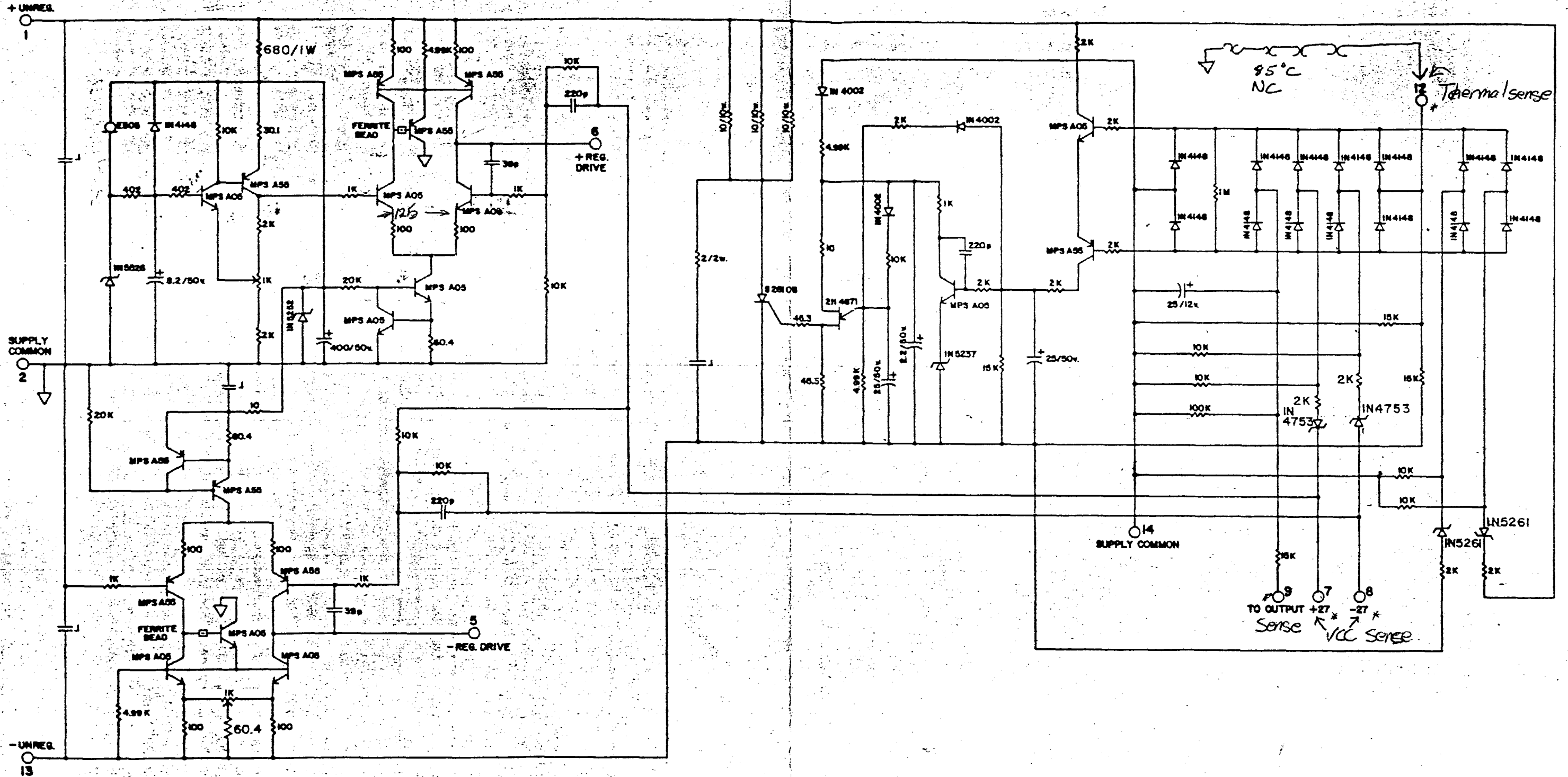


SOLDER SIDE

PBP-1

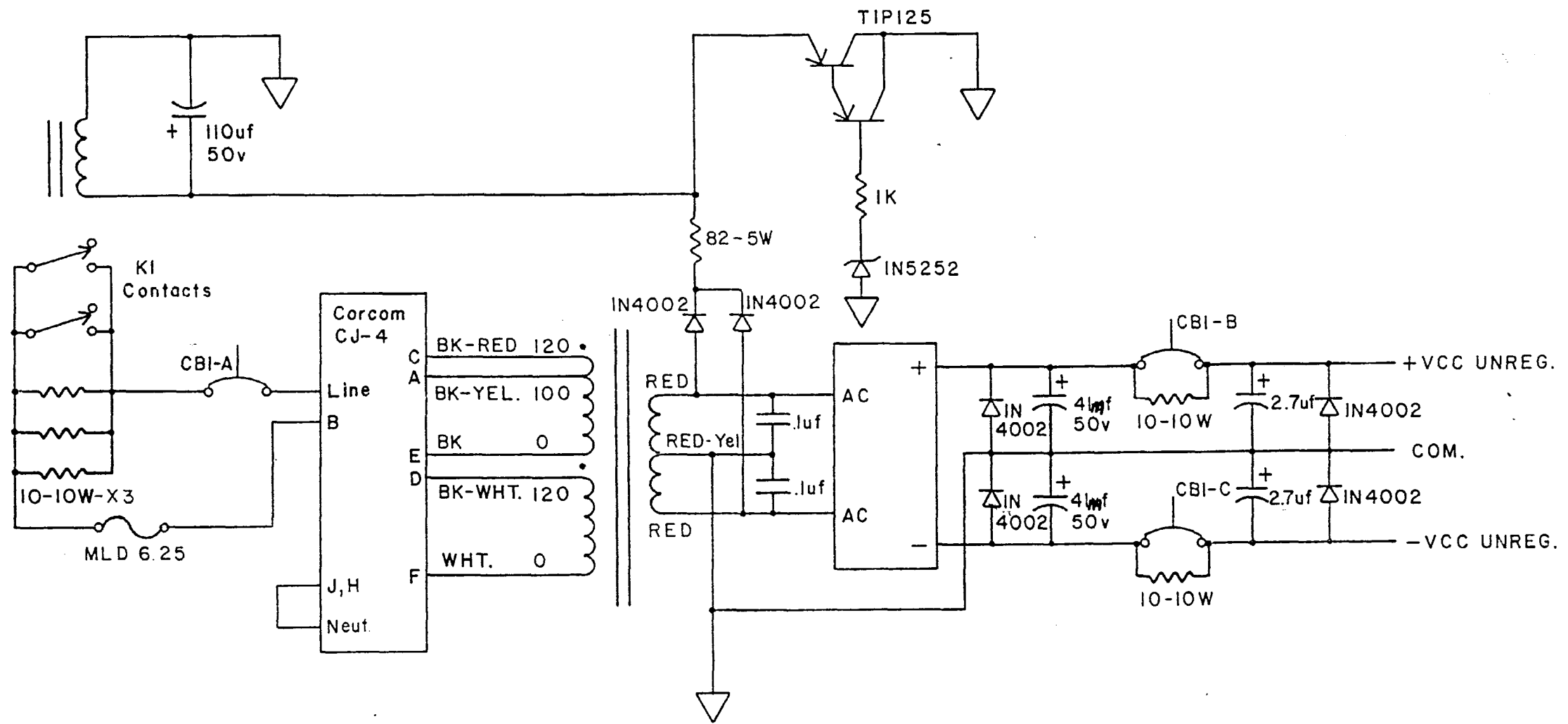
A-6

		mark & evinson audio systems, ltd	
TOLERANCES UNLESS SPECIFIED		MATERIAL	
FRACTION 1/32"		SHEET	
DECIMAL 1.000		OF	
ANGLE 15°		✓	
DATE	USED IN	NO	
ON S.C. 11-24-77	ML-2	94-0713-15	
ISSUE	REVISION	PBP-1	
DATE	SCALE		



REGULATOR CARD S-4

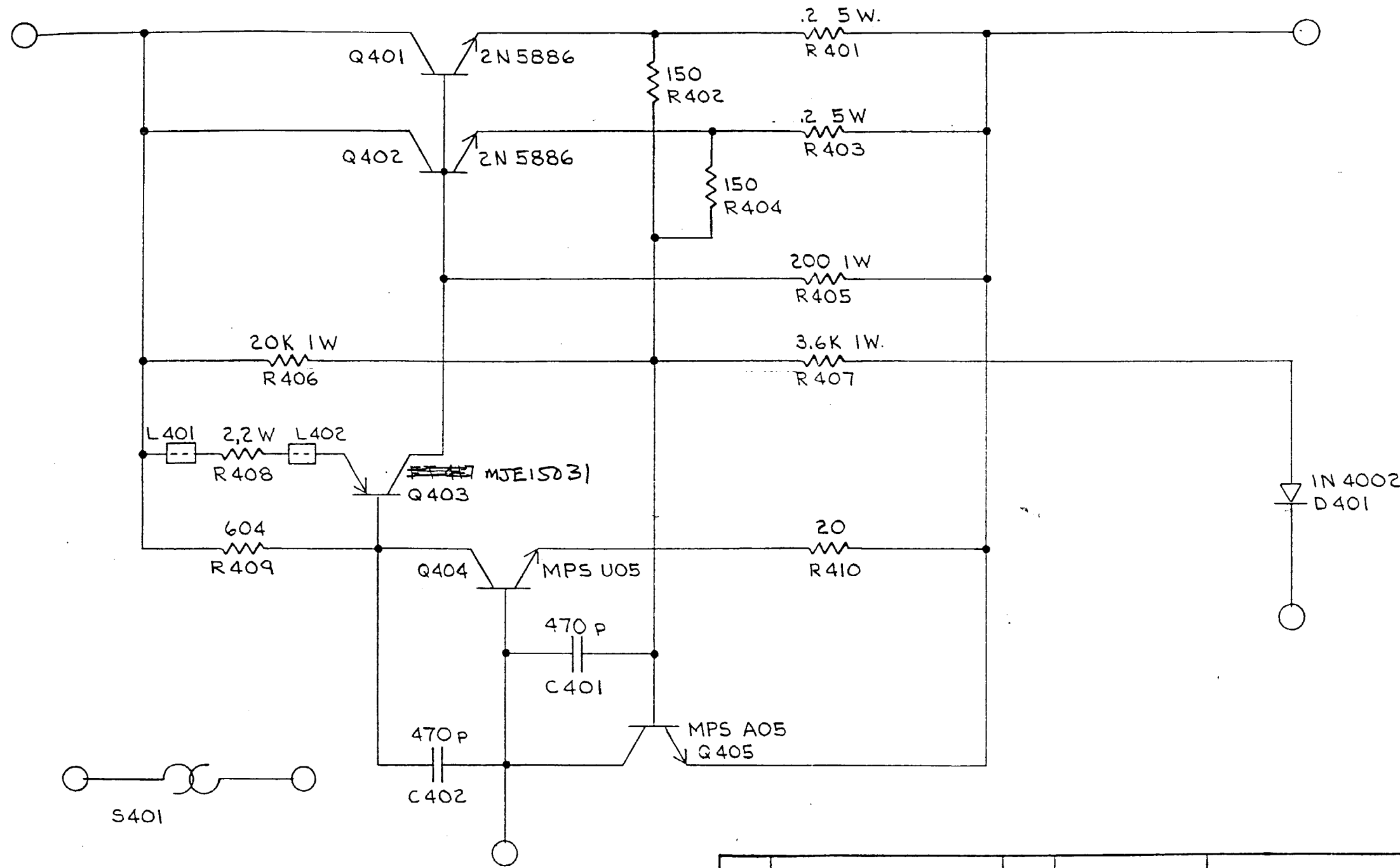
TELEPHONED MILITARY SPECIFICATIONS		MATERIAL	
FRACTIONAL 1.000		ML-2	
DECIMAL 1.000		ML-2	
ANGLE 11°		ML-2	
DATE		ML-2	
8-30		ML-2	



POWER TRANSFORMER WIRING DIAGRAM


S - 1

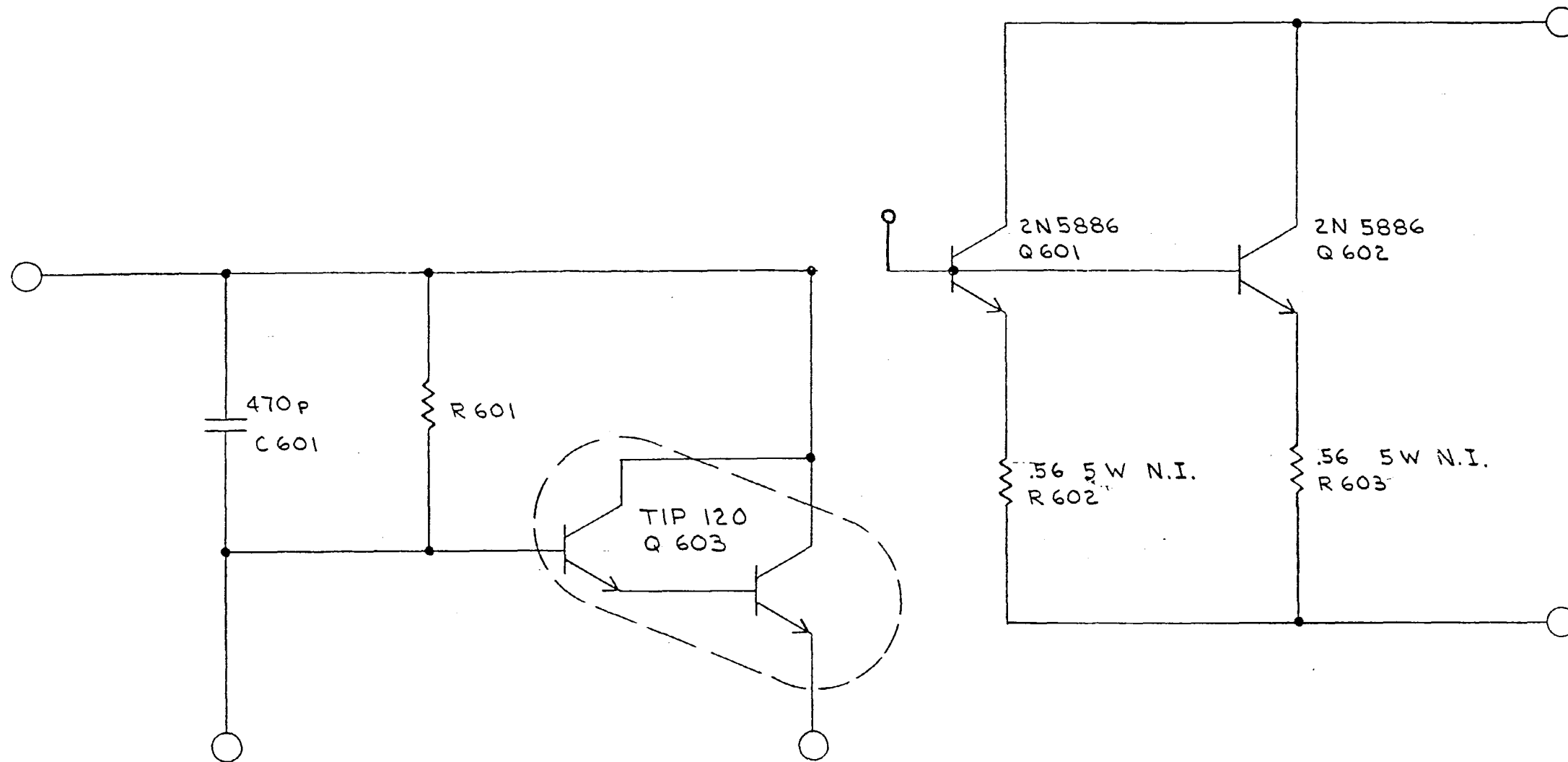
				55 Circular Avenue, Hamden, Connecticut 06514 U.S.A.	
				MATERIAL	
				SHEET OF	
				A B C D E R	
				USED IN	
				ML-2.	
				NAME	
				NO.	
DR.	DATE				
CH.	DATE				
ISSUE	REVISION	DATE	SCALE		



NOTES:


1. ALL RESISTORS ARE IN OHMS UNLESS INDICATED OTHERWISE.
2. ALL RESISTORS ARE RNS5D, 25 W, 1%. UNLESS INDICATED OTHERWISE.
3. K = 10^3 , M = 10^6
4. ALL CAPACITORS ARE IN MICROFARADS UNLESS INDICATED OTHERWISE.
5. n = 10^{-9} , p = 10^{-12}

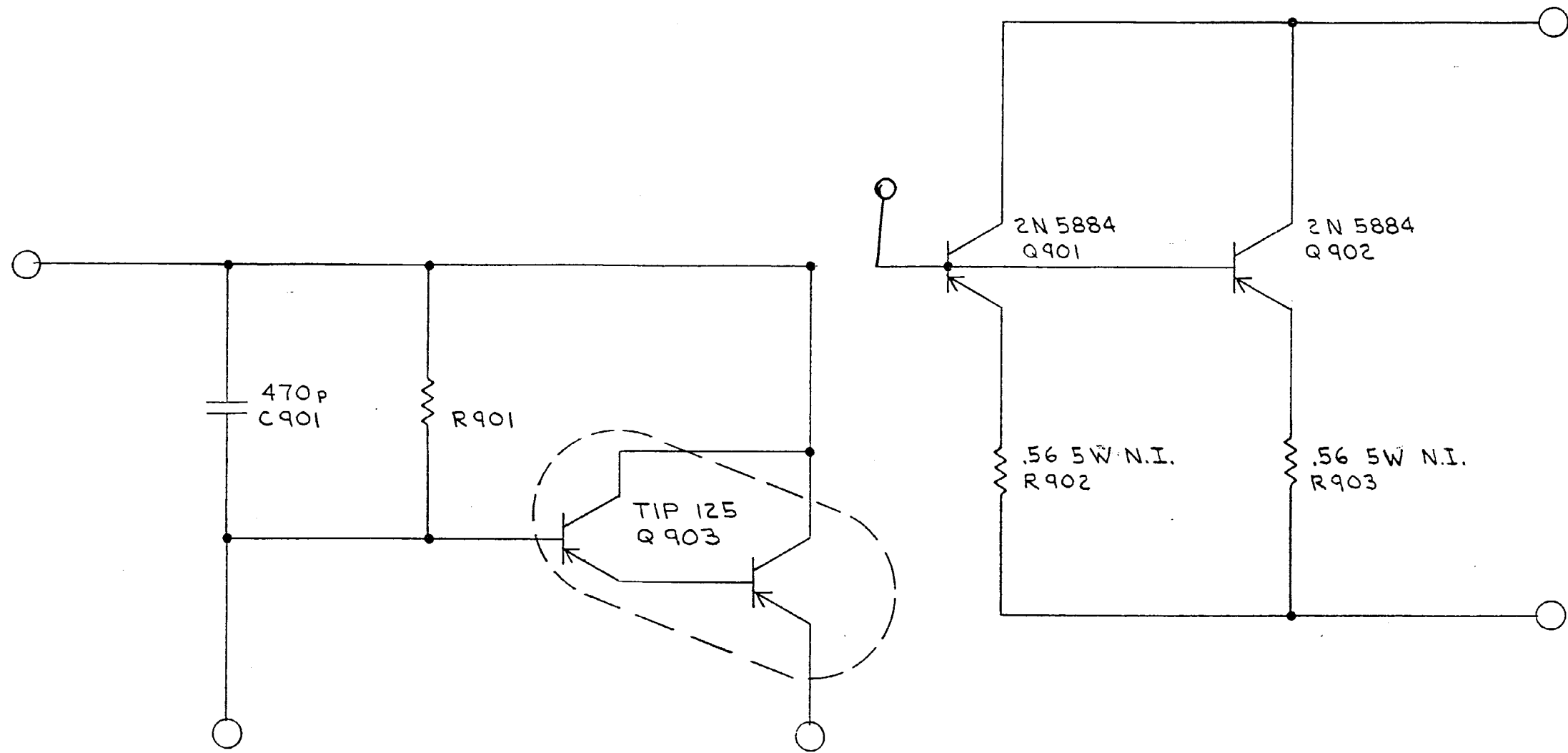
				 mark evinson audio systems, ltd 55 circular avenue hamden connecticut 06514 usa	
				TOLERANCES UNLESS SPECIFIED	
				FRACTION ±.010	
				DECIMAL ±.005	
				ANGLE ±½°	
		DR. S.G.		DATE 7-5-77	
		CH.		DATE	
ISSUE		REVISION		DATE SCALE	
				MATERIAL	
				USED IN	
				ML-2	
				NAME + REGULATOR HEAT SINK BOARD	
				SHEET OF	
				A B C D E R	
				NO.	
				34-0009-00	



NOTES:


1. ALL RESISTORS ARE IN OHMS UNLESS INDICATED OTHERWISE.
2. ALL RESISTORS ARE RN55D, .25 W, 1%. UNLESS INDICATED OTHERWISE.
3. K=10³, M=10⁶
4. ALL CAPACITORS ARE IN MICROFARADS UNLESS INDICATED OTHERWISE.
5. n=10⁻⁹, p=10⁻¹²

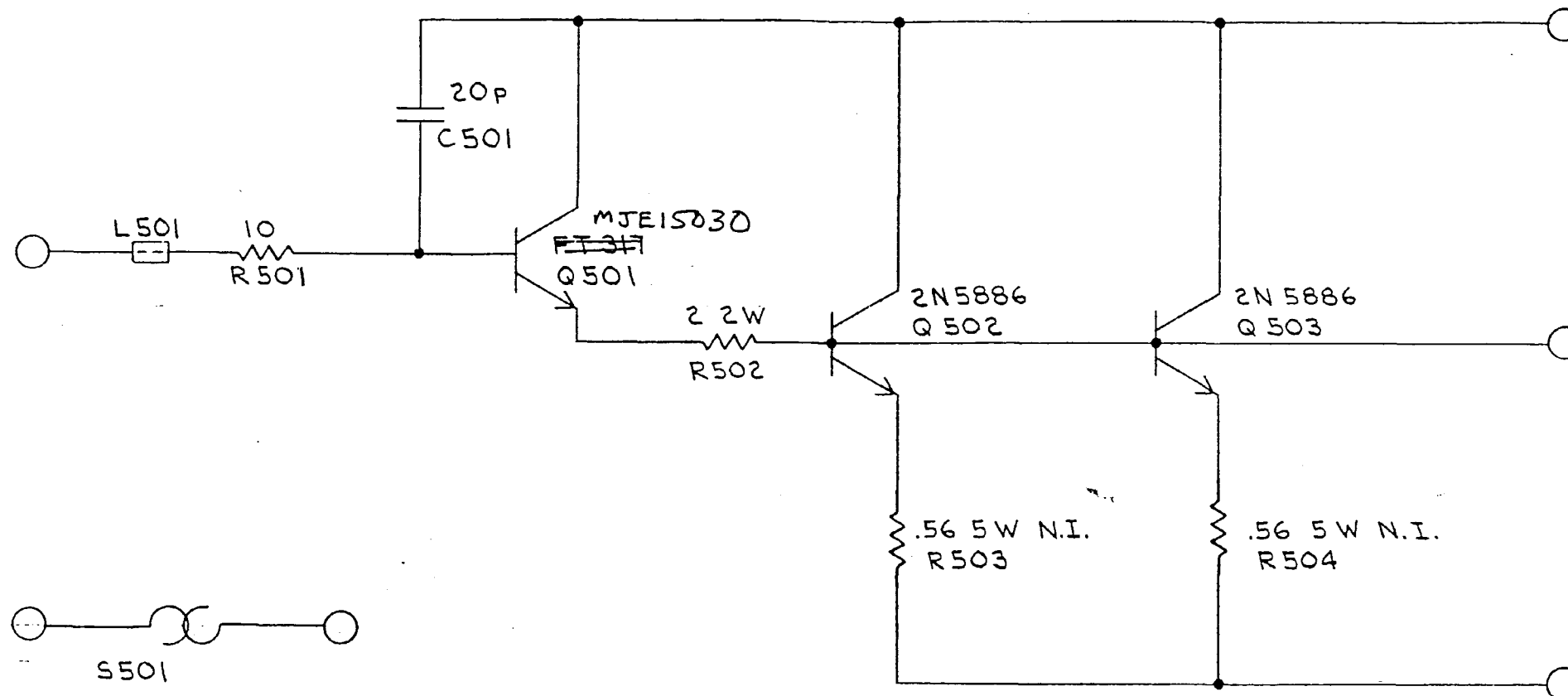
				 audio systems.ltd 55 circular avenue hamden connecticut 06514 u.s.a	
				TOLERANCES UNLESS SPECIFIED FRACTION ±.010 DECIMAL ±.005 ANGLE ±½°	
				MATERIAL USED IN ML-2	
				NAME + AUDIO OUTPUT & BIAS REG. H.S. BOARD	
		SHEET OF A B C D E R		NO. 94-0011-00	
ISSUE	REVISION	DATE	SCALE		



NOTES :


1. ALL RESISTORS ARE IN OHMS UNLESS INDICATED OTHERWISE.
2. ALL RESISTORS ARE RN55D, .25 W, 1%. UNLESS INDICATED OTHERWISE.
3. K=10³, M=10⁶
4. ALL CAPACITORS ARE IN MICROFARADS UNLESS INDICATED OTHERWISE.
5. n=10⁻⁹, p=10⁻¹²

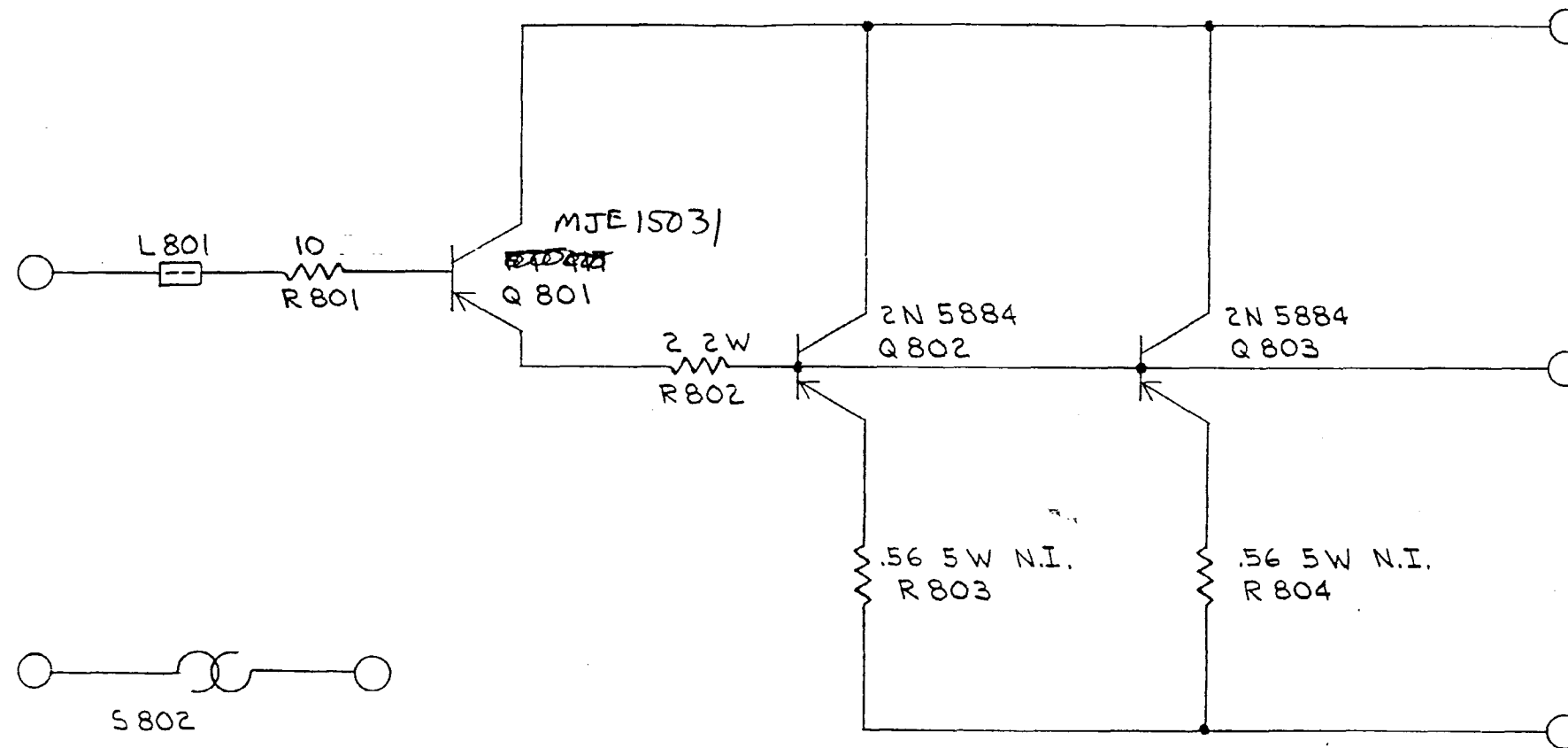
				 audio systems, ltd 55 circular avenue hamden connecticut 06514 usa	
				TOLERANCES UNLESS SPECIFIED	
				FRACTION ±.010	
				DECIMAL ±.005	
				ANGLE ±½°	
				OR. S.G. DATE 7-5-77 CH. DATE	
				MATERIAL USED IN ML-2	
				NAME - AUDIO OUTPUT & BIAS REG. HS. BOARD	
				SHEET OF A B C D E R NO. 94-0012-00	
ISSUE	REVISION	DATE	SCALE		



NOTES:


1. ALL RESISTORS ARE IN OHMS UNLESS INDICATED OTHERWISE.
2. ALL RESISTORS ARE RN55D, .25 W, 1% UNLESS INDICATED OTHERWISE.
3. K=10³, M=10⁶
4. ALL CAPACITORS ARE IN MICROFARADS UNLESS INDICATED OTHERWISE.
5. n=10⁻⁹, p=10⁻¹²

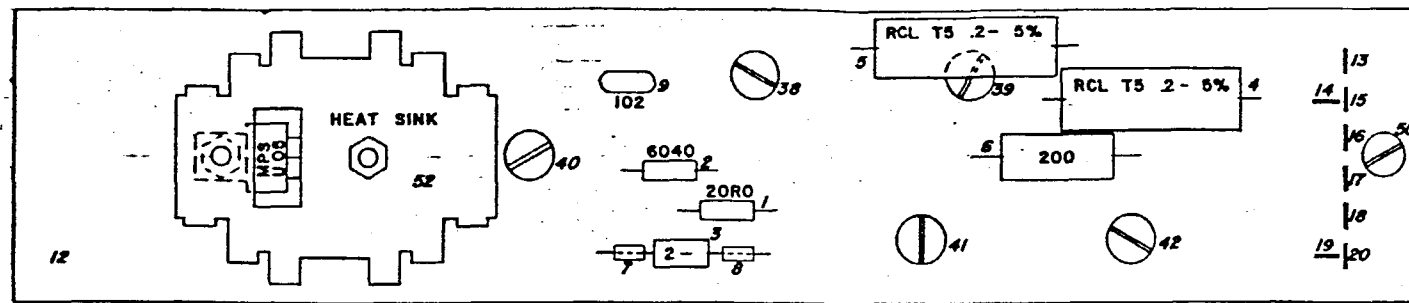
				 audio systems, ltd 55 circular avenue hamden connecticut 06514 u.s.a	
				TOLERANCES UNLESS SPECIFIED	
				FRACTION ±.010	
				DECIMAL ±.005	
				ANGLE ± 1/2°	
				DR. S.G. DATE 7-6-77	
				CH. DATE	
ISSUE	REVISION	DATE	SCALE	MATERIAL	
				USED IN	
				ML-2	
				NAME + AUDIO OUTPUT & DRIVER H.S. BOARD	
				SHEET OF	
				A B C D E R	
				NO. 94-0013-00	



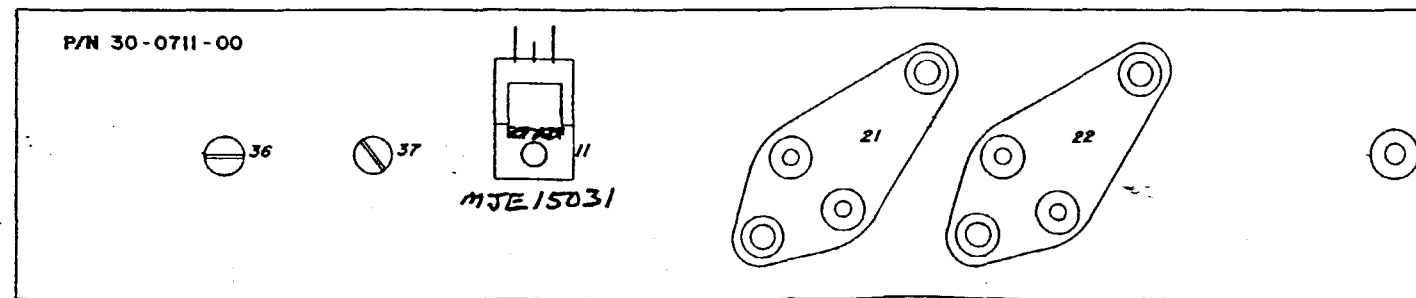
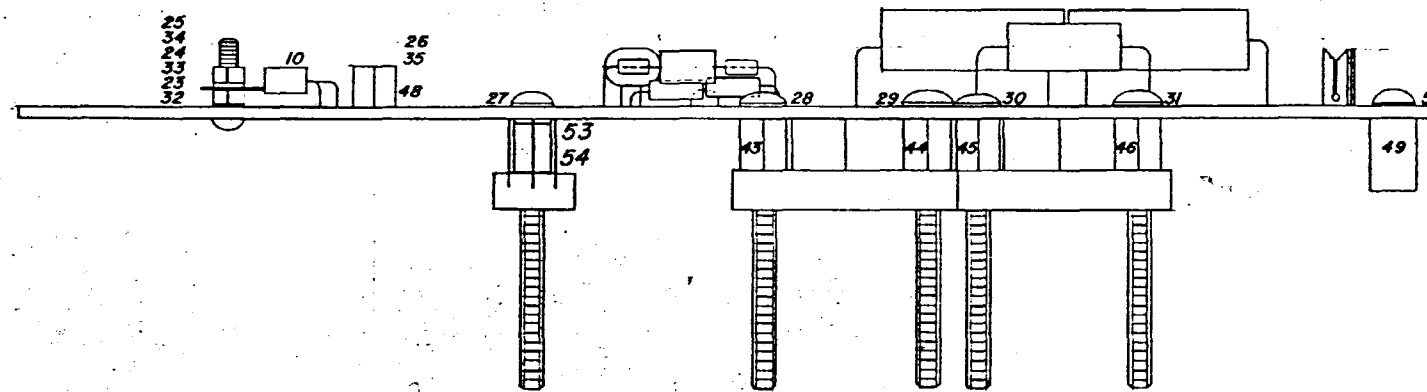
NOTES:

1. ALL RESISTORS ARE IN OHMS UNLESS INDICATED OTHERWISE.
2. ALL RESISTORS ARE RN55D, .25 W, 1% UNLESS INDICATED OTHERWISE.
3. K = 10^3 , M = 10^6
4. ALL CAPACITORS ARE IN MICROFARADS UNLESS INDICATED OTHERWISE.
5. n = 10^{-9} , p = 10^{-12}

 mark levinson audio systems, ltd 55 circular avenue hamden connecticut 06514 usa			
		TOLERANCES UNLESS SPECIFIED FRACTION $\pm .010$ DECIMAL $\pm .005$ ANGLE $\pm \frac{1}{2}^\circ$	
		DR. S.G. DATE 7-6-77 CH. DATE	
ISSUE		REVISION	
DATE		SCALE	
MATERIAL		SHEET OF	
USED IN		A B C D E R	
NAME		NO.	
- AUDIO OUTPUT DRIVER H.S. BOARD		94-0014-00	



COMPONENT SIDE

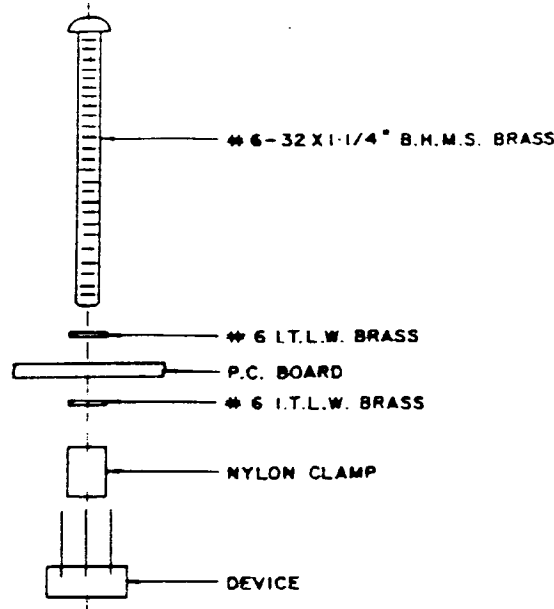


SOLDER SIDE

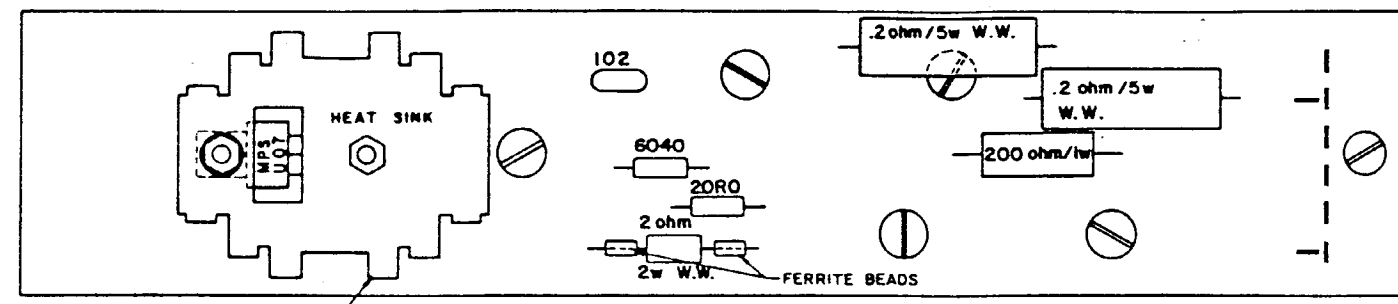
PRP-1

A-4

		TOLERANCES UNLESS SPECIFIED FRACTION 1/32 DECIMAL 1.00 ANGLE 1:1			
		P/N 30-0711-00 CR. DATE 11-18-77		MATERIAL ML-2 NAME PRP-1	
ISSUE	REVISION	DATE	SCALE	SHEET	OF
				1	1
				94-0711-15	

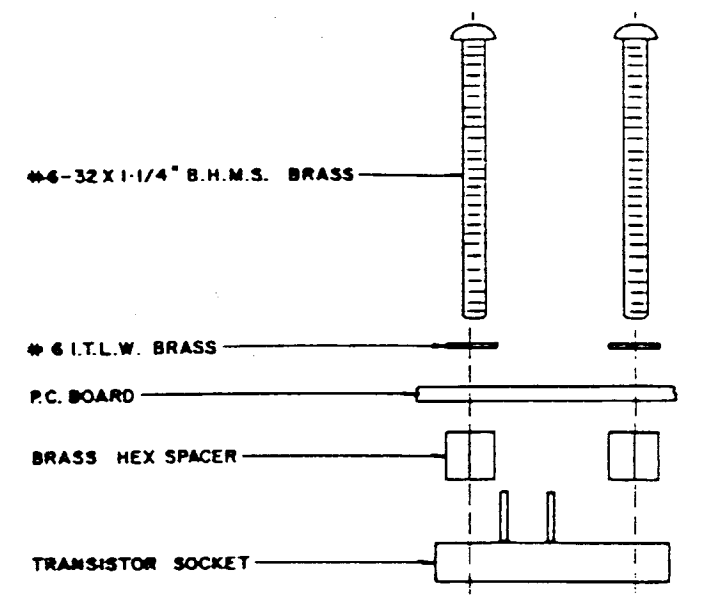


DETAIL-D

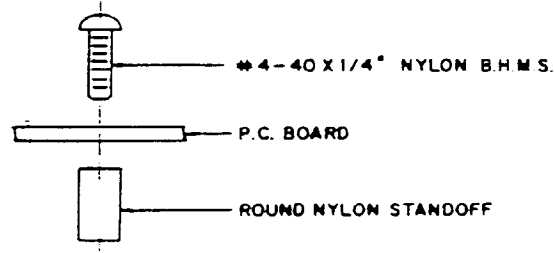
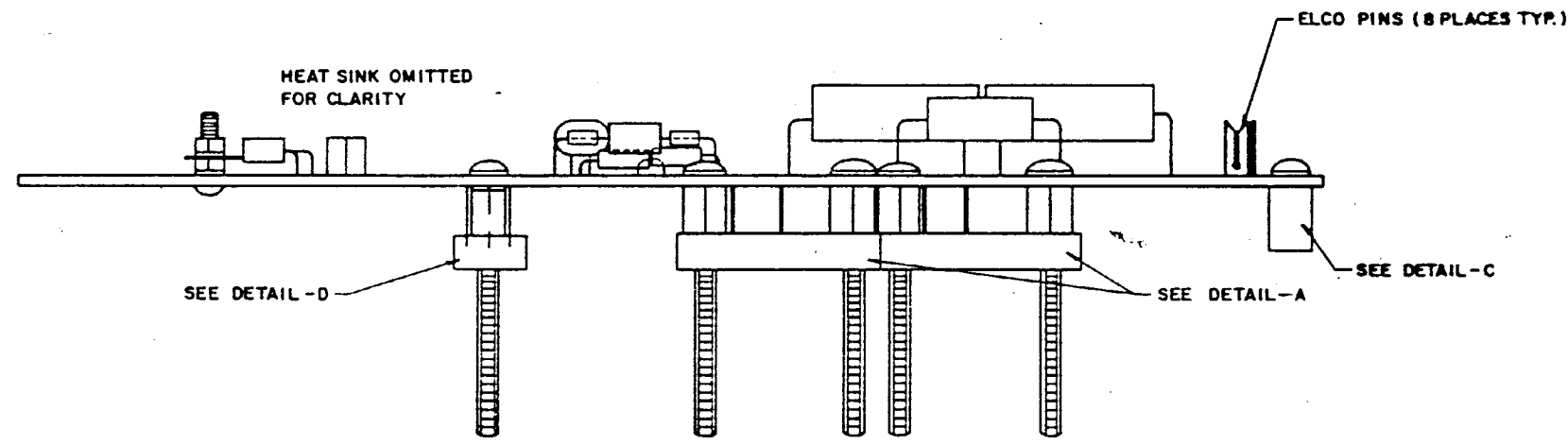


COMPONENT SIDE

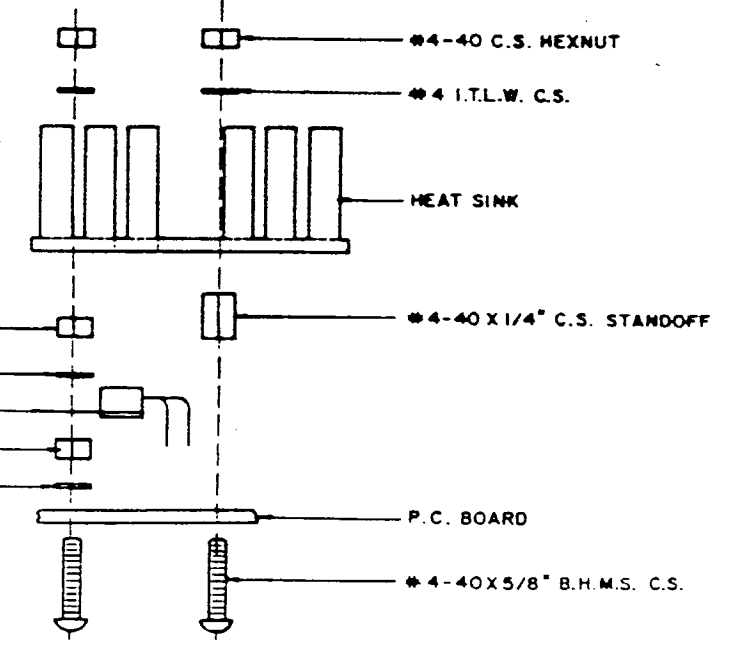
SEE DETAIL-B



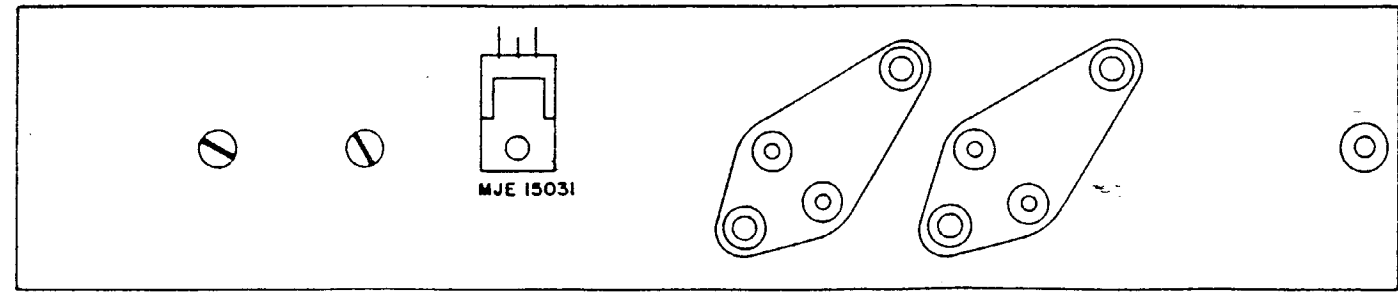
DETAIL-A



DETAIL-C



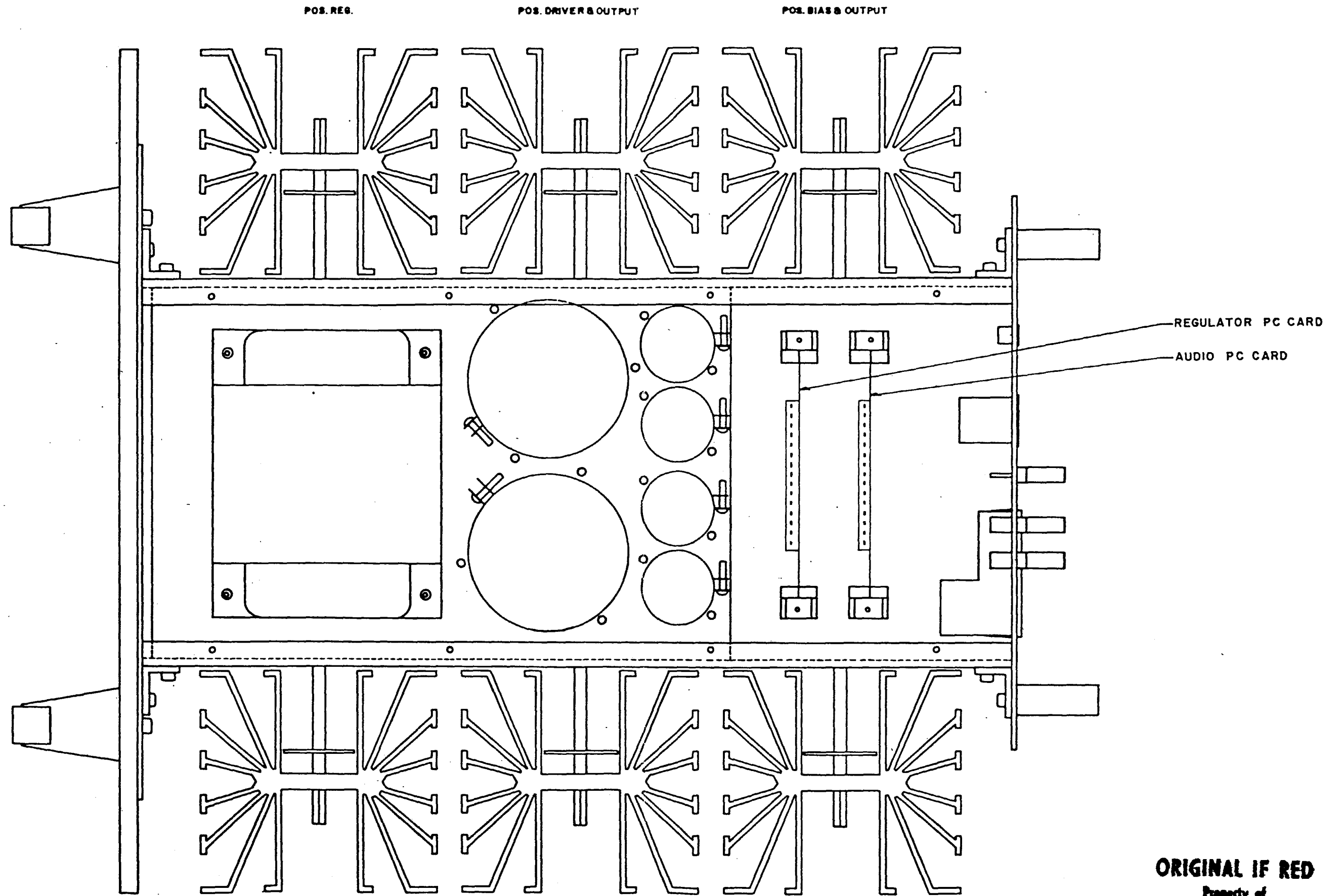
DETAIL-B



SOLDER SIDE

- NOTE:
- 1 ALL CAPACITORS ARE IN CODE UNLESS OTHERWISE SPECIFIED.
 - 2 ALL RESISTORS ARE RN55, & ARE IN CODE UNLESS OTHERWISE SPECIFIED.
 - 3 INSTALL MOUNTING PADS ON ALL STANDING COMPONENTS.

TOLERANCES UNLESS SPECIFIED		markit evinson AUDIO SYSTEMS LTD	
FRAC TION	DECIMAL	MATERIAL	SHEET
1/16	.0625	ML-2	1
1/32	.03125		
1/64	.015625		
1/128	.0078125		
1/256	.00390625		
1/512	.001953125		
1/1024	.0009765625		
1/2048	.00048828125		
1/4096	.000244140625		
1/8192	.0001220703125		
1/16384	.00006103515625		
1/32768	.000030517578125		
1/65536	.0000152587890625		
1/131072	.00000762939453125		
1/262144	.000003814697265625		
1/524288	.0000019073486328125		
1/1048576	.00000095367431640625		
1/2097152	.000000476837158203125		
1/4194304	.0000002384185791015625		
1/8388608	.00000011920928955078125		
1/16777216	.000000059604644775390625		
1/33554432	.0000000298023223876953125		
1/67108864	.00000001490116119384765625		
1/134217728	.000000007450580596923828125		
1/268435456	.0000000037252902984619140625		
1/536870912	.00000000186264514923095703125		
1/1073741824	.000000000931322574615478515625		
1/2147483648	.0000000004656612873077392578125		
1/4294967296	.00000000023283064365386962890625		
1/8589934592	.000000000116415321826934814453125		
1/17179869184	.0000000000582076609134674072265625		
1/34359738368	.00000000002910383045673370361328125		
1/68719476736	.000000000014551915228366851806640625		
1/137438953472	.0000000000072759576141834259033203125		
1/274877906944	.00000000000363797880709171245166015625		
1/549755813888	.000000000001818989403545856225782578125		
1/1099511627776	.0000000000009094947017729281128912890625		
1/2199023255552	.00000000000045474735088646405644564453125		
1/4398046511104	.000000000000227373675443232028222822265625		
1/8796093022208	.0000000000001136868377216160141114111328125		
1/17592186044416	.000000000000056843418860800705570705565625		
1/35184372088832	.0000000000000284217094304003527853527828125		
1/70368744177664	.00000000000001421085471520017639267639140625		
1/140737488355328	.000000000000007105427357600088196338195703125		
1/281474976710656	.0000000000000035527136788000440981690978515625		
1/562949953421312	.000000000000001776356839400022049084548928125		
1/1125899906842624	.0000000000000008881784197000110245422744640625		
1/2251799813685248	.00000000000000044408920985000551227122372303125		
1/4503599627370496	.0000000000000002220446049250027561356118615625		
1/9007199254740992	.00000000000000011102230246250137806780593078125		
1/18014398509481984	.000000000000000055511151231250689033902965390625		
1/36028797018963968	.00000000000000002775557561562503445195148271953125		
1/72057594037927936	.00000000000000001387778780781250172259774119128125		
1/144115188075855872	.0000000000000000069388939039062500861298870595640625		
1/288230376151711744	.000000000000000003469446951953125004306494352978125		
1/576460752303423488	.000000000000000001734723475976562500215324717648928125		
1/1152921504606846976	.00000000000000000086736173798828125001076623588244640625		
1/2305843009213693952	.00000000000000000043368086899414062500053831179442303125		
1/4611686018427387904	.000000000000000000216840434497070312500026915589722115625		
1/9223372036854775808	.0000000000000000001084202172485351562500013457794861078125		
1/18446744073709551616	.00000000000000000005421010862426757812500006728897430390625		
1/36893488147419103232	.0000000000000000000271050543121337890625000033644487151953125		
1/73786976294838206464	.000000000000000000013552527156066894531250000168222435759765625		
1/147573952589676412928	.00000000000000000000677626357803344726562500000841112178798828125		
1/295147905179352825856	.0000000000000000000033881317890167236328125000004205560893994140625		
1/5902958103587056517056	.0000000000000000000016940658945083618164062500000210278044699703125		
1/11805916207174113034112	.000000000000000000000847032947254180908203125000001051390223498828125		
1/23611832414348226068224	.00000000000000000000042351647362709045410156250000005256951117494140625		
1/47223664828696452136448	.00000000000000000000021175823681354522270578125000000262847555874703125		
1/94447329657392904272896	.0000000000000000000001058791184067726113535418750000001314237779373515625		
1/188894659114785808545792	.0000000000000000000000529395592033863056767709375000000065711888968678125		
1/377789318229571617091584	.000000000000000000000026469779601693152838385468750000000328559444843390625		
1/755578636459143234183168	.0000000000000000000000132348898008465764169192718750000001642797224216953125		
1/1511157272918286468366336	.000000000000000000000006617444900423288208459635937500000008213986121084765625		
1/3022314545836572936732672	.000000000000000000000003308722450211644104229817968750000000410699306054378125		
1/6044629091673145873465344	.0000000000000000000000016543612251058220521114909375000000002053496530271890625		
1/12089258183346291746930688	.0000000000000000000000008271806125529110260557454687500000001026748265135953125		
1/24178516366692583493861376	.00000000000000000000000041359030627645551302777273437500000005133741325679765625		
1/48357032733385166987722752	.0000000000000000000000002067951531382277565138863671875000000025668706628398828125		
1/96714065466770333975445504	.000000000000000000000000103397576569113878256943183593750000000128343533141994140625		
1/193428130933540667910891008	.000000000000000000000000051698788284556939128471591796875000000006417176657099703125		
1/386856261867081335821782016	.0000000000000000000000000258493941422784695642359589843750000000032085883285498828125		
1/773712523734162671643564032	.0000000000000000000000000129246970711392347821179794921875000000001604294164272494140625		
1/1547425047468325343287128064	.00000000000000000000000000646234853556961739105898974609375000000000802147082136249703125		
1/3094850094936650686574256128	.000000000000000000000000003231174267784808695529494873046875000000000401073541068124515625		
1/6189700189873301373148512256	.00000000000000000000000000161558713389240434776474743671875000000000200536770534062278125		
1/12379400379746602746297024512	.00000000000000000000000000080779356694620217388237371835937500000000100268385267031140625		
1/24758800759493205492594049024	.0000000000000000000000000004038967834731010869411868567968750000000005013419263351578125		
1/49517601518986410985188098048	.00000000000000000000000000020194839173655054347059342839843750000000025067096316757890625		
1/99035203037972821970376196096	.000000000000000000000000000100974195868275271735296714199218750000000125335481583794515625		
1/198070406075945643940752392192	.000000000000000000000000000050487097934137635867619857099609375000000062667740791897278125		
1/396140812151891287881504784384	.00000000000000000000000000002524354896706881793380992854995468750000000313338703959486390625		
1/792281624303782575763009568768	.00000000000000000000000000001262177448353440896690496427499773437500000015666935197974303125		
1/1584563248607565151526019137536	.00000000000000000000000000006310887241767204483452482137499886718750000000783346759898716515625		
1/3169126497215130303052038275072	.000000000000000000000000000031554436208836022417262410687499443437500000003916733799493578125		
1/6338252994430260606104076550144	.0000000000000000000000000000157772181044180112086312053437499722187500000019583668997467890625		
1/12676505988860521212208153100288	.000000000000000000000000000007888609052209005604315626722374998611875000000097918344987338953125		
1/25353011977721042424416306200576	.00000000000000000000000000000394430452610450280215781336118749993059375000000048959172493669278125		
1/50706023955442084848832612401152	.00000000000000000000000000000197215226305225140107890668059374999652968750000000244795862468346390625		
1/101412047910884169697665228802304	.000000000000000000000000000000986076131526125700539453329687499982648437500000001223979312341731953125		
1/202824095821768339395330457604608	.00000000000000000000000000000049303806576306285026972666484374999913242187500000006119896561708659765625		
1/405648191643536678790660915209216	.0000000000000000000000000000002465190328815314251348633324218749999566209375000000030599482808542978125		
1/811296383287073357581321830418432	.0000000000000000000000000000001232595164407657125572416661210937499997831046875000000152997414042714515625		
1/162259276657414671516264360836864	.0000000000000000000000000000000616297582203788562786208330604687499998915534375000000076498707021357278125		
1/324518553314829343032528721673728	.000000000000000000000000000000030814879110189428139310416530234374999945777671875000000382493535106786390625		
1/649037106629658686065057443347456	.00000000000000000000000000000001540743955509471406965520826511718749999728888343750000001912467675533931953125		
1/1298074213259317372130114886			



POS. REG.

POS. DRIVER & OUTPUT

POS. BIAS & OUTPUT

REGULATOR PC CARD

AUDIO PC CARD

NEG. REG.

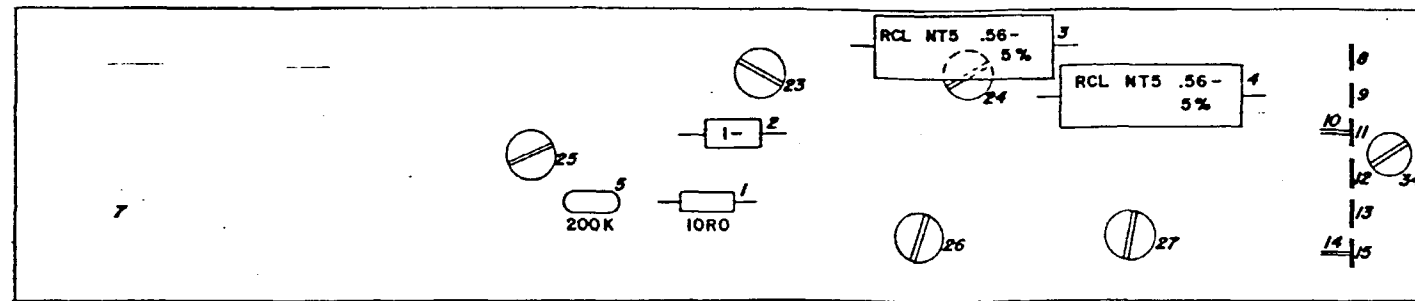
NEG. DRIVER & OUTPUT

NEG. BIAS & OUTPUT

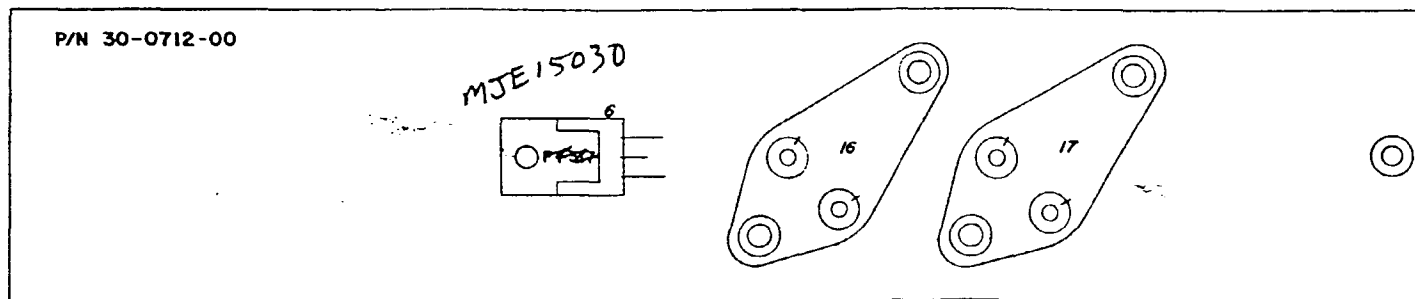
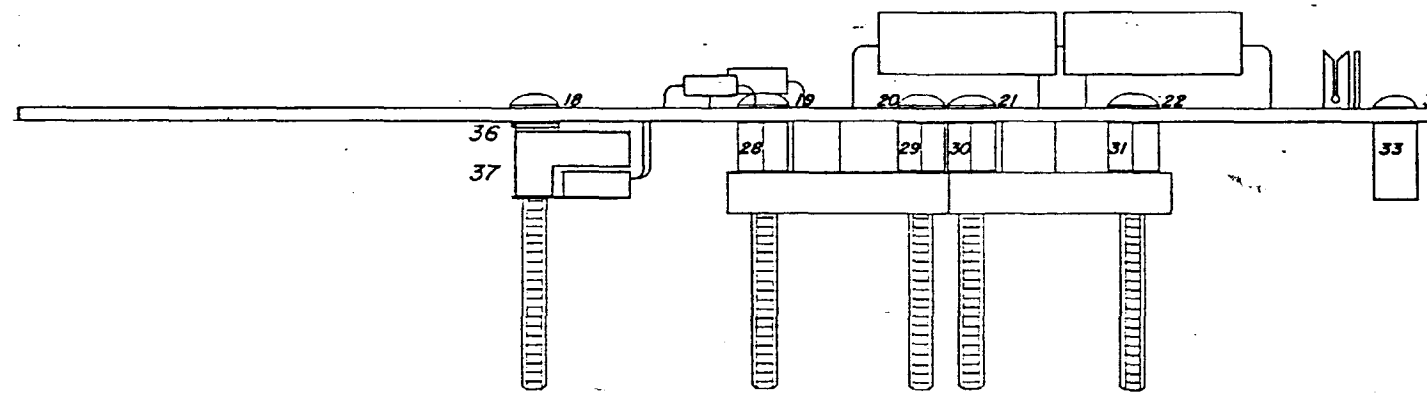
ML-2 TOP VIEW

A-10

ORIGINAL IF RED
Property of
Madrigal Audio Laboratories Inc.



COMPONENT SIDE

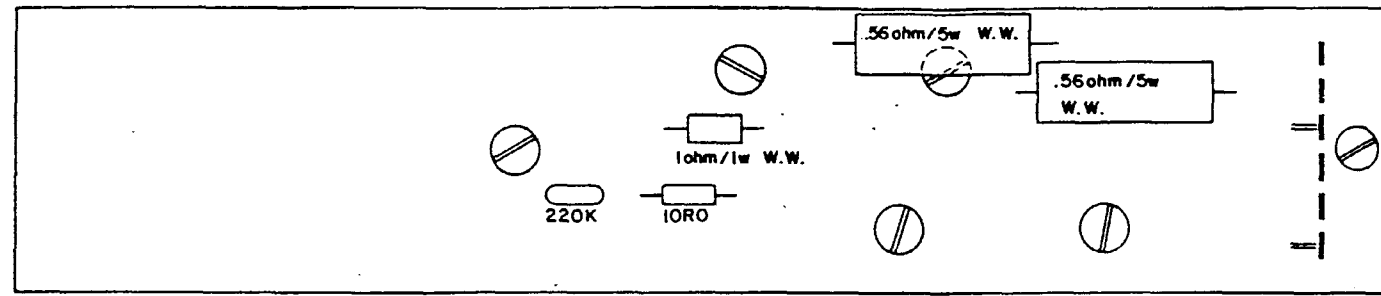


SOLDER SIDE

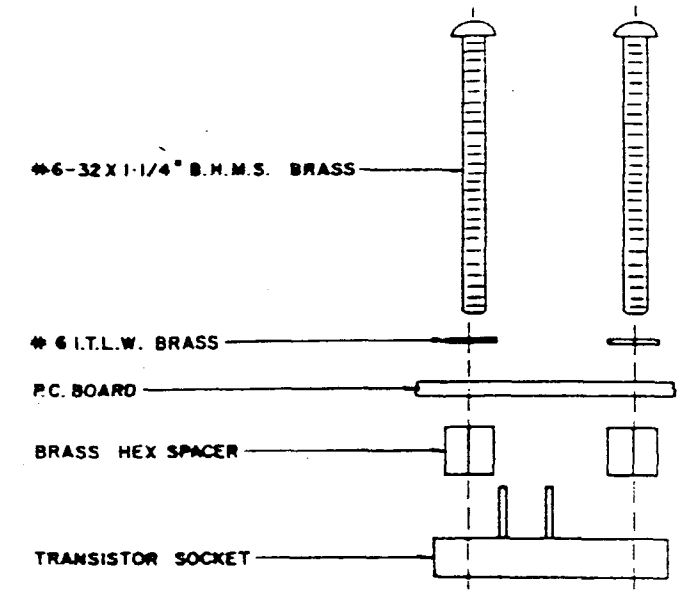
PDP-1

A-5

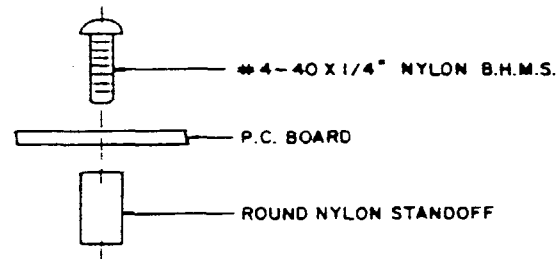
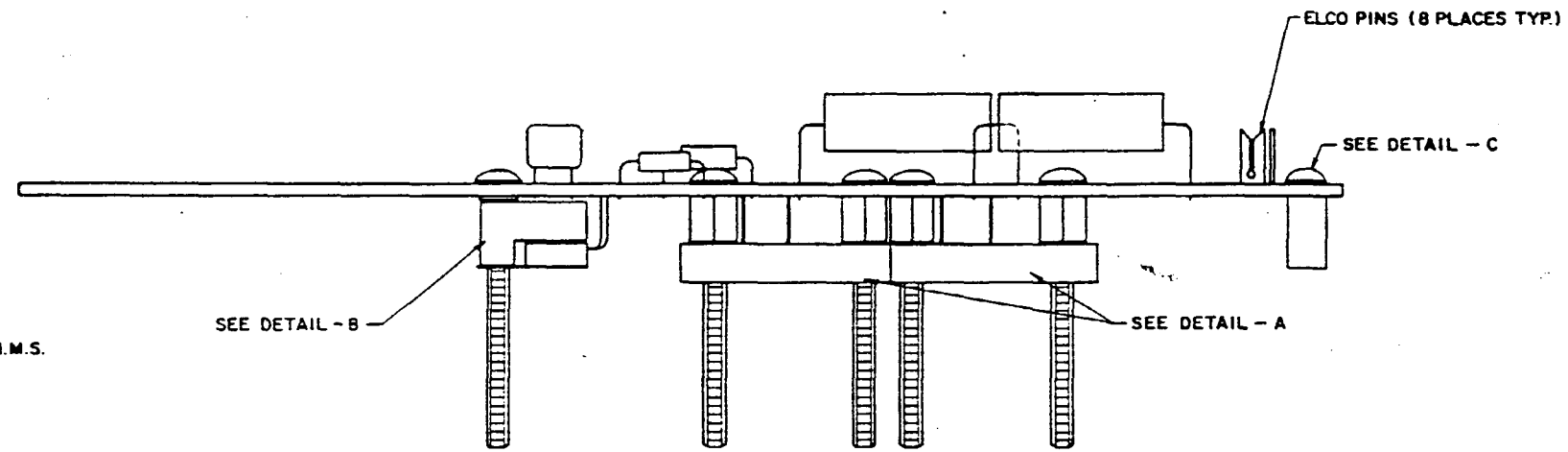
		TOLERANCES UNLESS SPECIFIED		mark & evinson audio systems, inc.	
		FRACTION 1/32			
		DECIMAL 1.000		MATERIAL	
		ANGLE 1:1		SHEET 01	
		DATE		USED IN	
		BY B.C. 11-16-77		ML-2	
		DATE		NAME	
ISSUE		REVISION		PDP-1	
		DATE SCALE		94-0712-15	



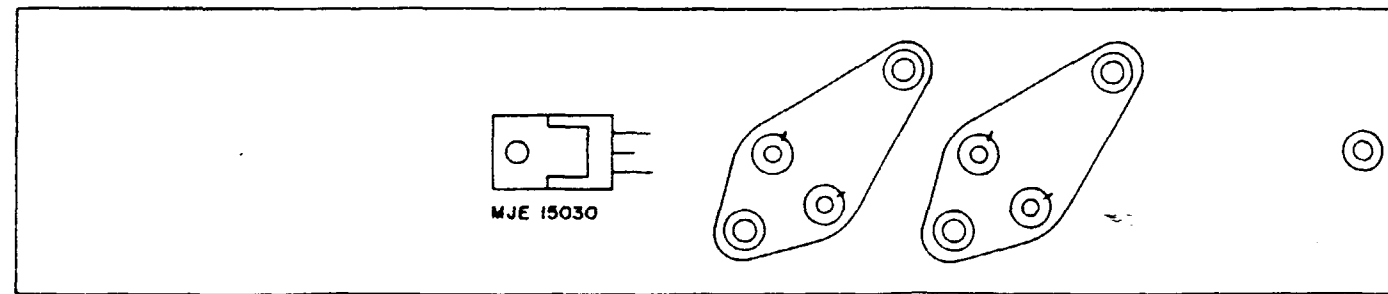
COMPONENT SIDE



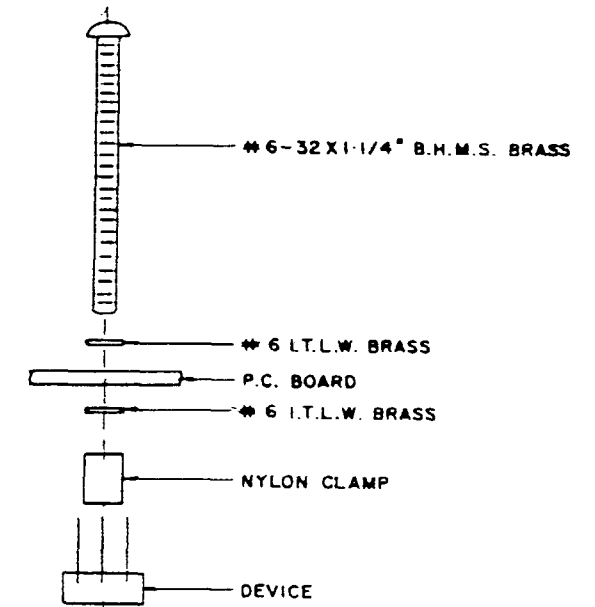
DETAIL - A



DETAIL - C



SOLDER SIDE



DETAIL - B

NOTE:

- 1 ALL CAPACITORS ARE IN CODE UNLESS OTHERWISE SPECIFIED.
- 2 ALL RESISTORS ARE RN55, & ARE IN CODE UNLESS OTHERWISE SPECIFIED.
- 3 INSTALL MOUNTING PADS ON ALL STANDING COMPONENTS.

TOLERANCES UNLESS SPECIFIED		mark evinson AUDIO SYSTEMS, INC.
FRACTION	DECIMAL	
ANGLE	MATERIAL	DATE
DATE	USED IN	75 1712 01 00 00
5 9 31-287Z	ML-2	
POP-1		