

- NOTE:
- 1 ALL RESISTORS ARE RN55, .125W MIL., 1%, & ARE IN OHMS OR IN CODE UNLESS INDICATED OTHERWISE.
  - 2 ALL CAPACITORS ARE IN MICROFARADS OR IN CODE UNLESS INDICATED OTHERWISE.
  - 3 K=10<sup>3</sup>, M=10<sup>6</sup>.
  - 4 m=10<sup>-3</sup>, μ=10<sup>-6</sup>, n=10<sup>-9</sup>, p=10<sup>-12</sup>.

Handwritten calculations:

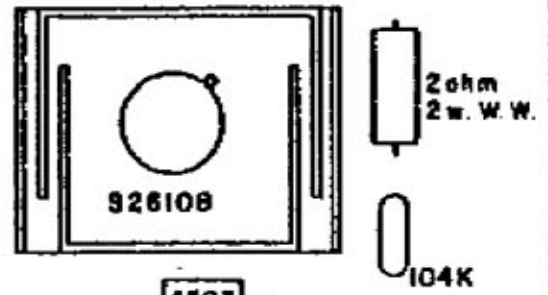
$$\frac{U1}{206} + \frac{U1}{10} = 5mV$$

$$U1 + \frac{806 U1}{10} = 806.5mV$$

$$100U1 + 806U1 = 10 \cdot 806.5mV$$

TOLERANCES UNLESS SPECIFIED		<b>MIDRIGAL</b> audio laboratories, inc. 2081 south man street middletown connecticut 06457 u.s.a.			
FRACTION ±.010					
DECIMAL ±.005		MATERIAL	SHEET	OF	
ANGLE ±1/2°		USED IN	A B C D E R		
DR. <i>D.H.</i> DATE 4-28-86		ML-2	NO.		
CH. DATE		AP-1, Bias & Driver circuit	S 75-1701-03-00-00		
ISSUE	REVISION	DATE	SCALE		

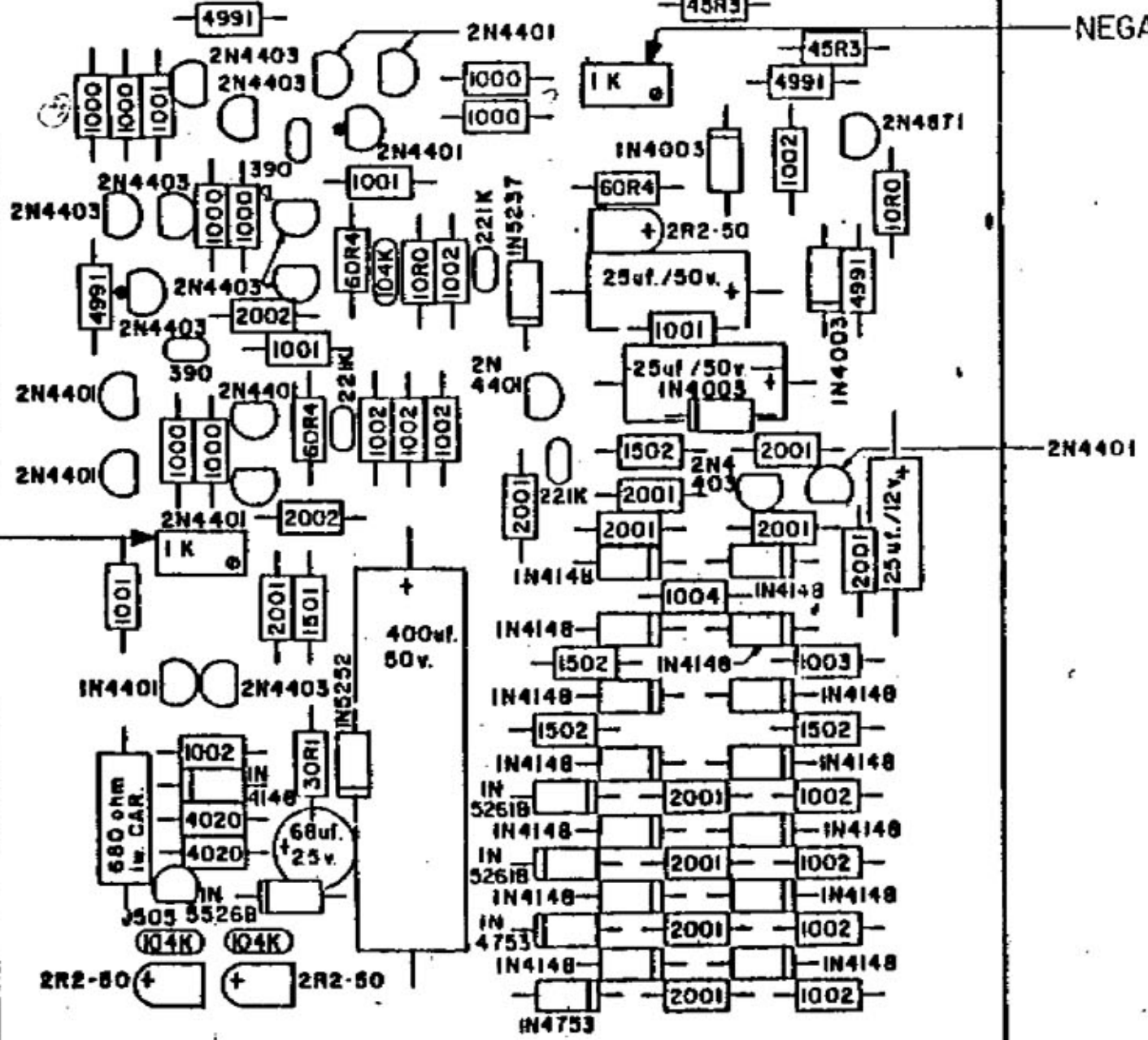
10 ohm 10w. WIREWOUND  
 10 ohm 10w. WIREWOUND  
 10 ohm 10w. WIREWOUND



DOT DENOTES FERRITE BEAD.  
 2N4401, 2N4403

POSITIVE CONTROL

NEGATIVE CONTROL



ELCO CONTACTS  
 11 PLACES TYP.

1 2 5 6 7 8 9 10 12 13 14

**ORIGINAL IF RED**  
 Property of  
**Madrigal Audio Laboratories Inc.**

**NOTE:**

- 1 ALL RESISTORS ARE RN55, B IN CODE UNLESS OTHERWISE SPECIFIED.
- 2 ALL CAPACITORS ARE IN CODE UNLESS OTHERWISE SPECIFIED.
- 3 ALL STANDING COMPONENTS ARE TO BE MOUNTED WITH MOUNTING PADS.
- 4 ALL 2N4403 MAY BE SUBSTITUTED BY A55.  
 ALL 2N4401 MAY BE SUBSTITUTED BY A05.

			TOLERANCES UNLESS SPECIFIED		<b>MIDRIGAL</b> audio laboratories, Inc.	
			FRACTION 1/10	DECIMAL 1/100		
			ANNEAL 1 1/2"		SHEET OF	
			DR	BY	USED IN	DATE
			A REDRAWN	612	ML-2	NO.
			REVISION	DATE	NAME	75-1703-01-00 00
			SCALE		RP-1	

# SIDE VIEW

RED 120V  
BROWN 100V

BLACK 0V

RED/YELLOW 120V  
BROWN/YELLOW 100V

BLACK/YELLOW 0V

60V BLUE

30V GREEN

0V PINK

60V BLUE/YELLOW

30V GREEN/YELLOW

0V PINK/YELLOW

TOLERANCES  
UNLESS SPECIFIED

FRACTION  $\pm .010$

DECIMAL  $\pm .005$

ANGLE  $\pm 1/2^\circ$

DR. *A. Chappell* DATE 1/16/81

CH. DATE

ISSUE

REVISION

DATE

SCALE

1:1

**mark  
evinson**

audio systems, ltd

55 circular avenue hamden connecticut 06514 u.s.a.

MATERIAL  
**SEE NOTE 9**

USED IN

NAME

**Toroidal Power Transformer**

SHEET

OF

A

B

C

D

E

R

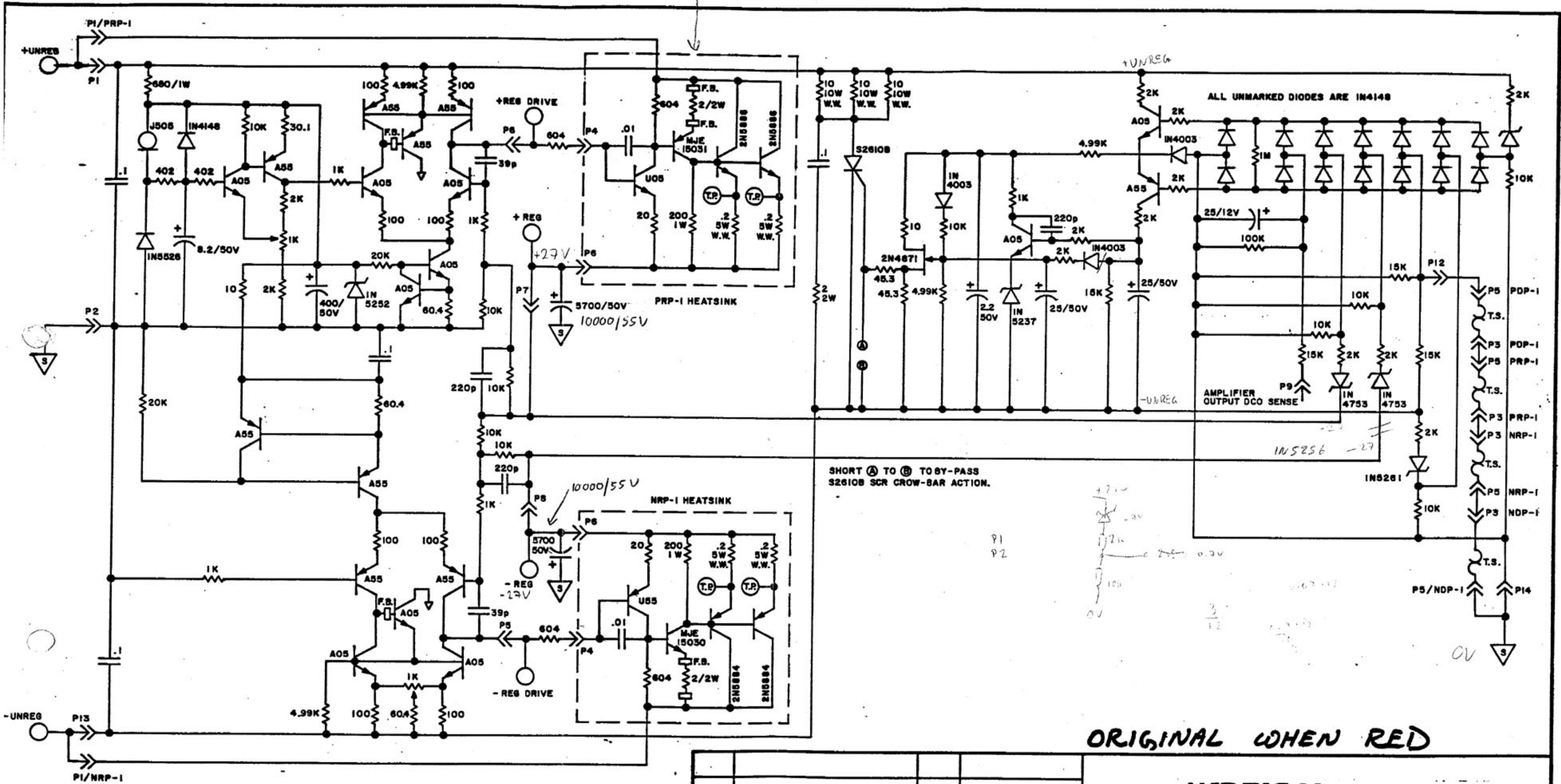
NO.

**94-0072-40**



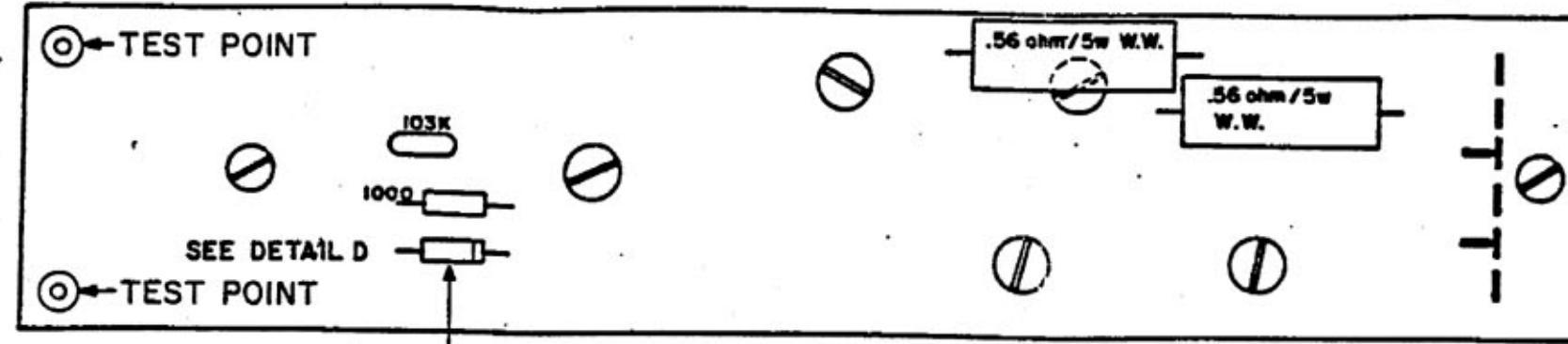
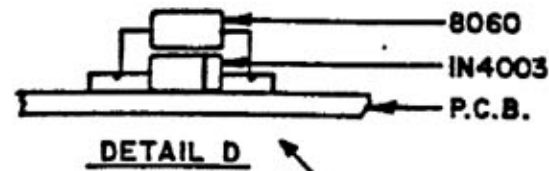
FT 417 XM7E 15031

No 1497 har M7E 15031

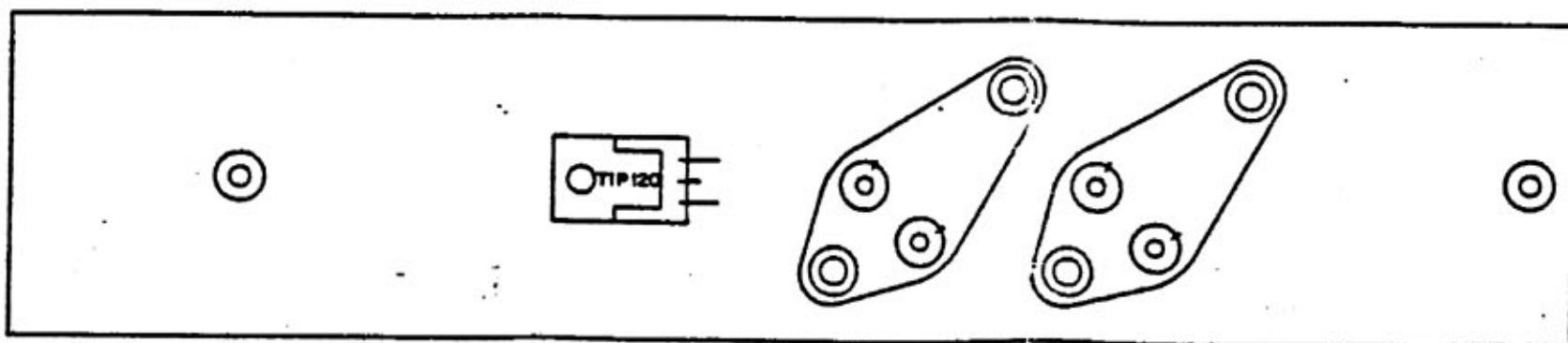
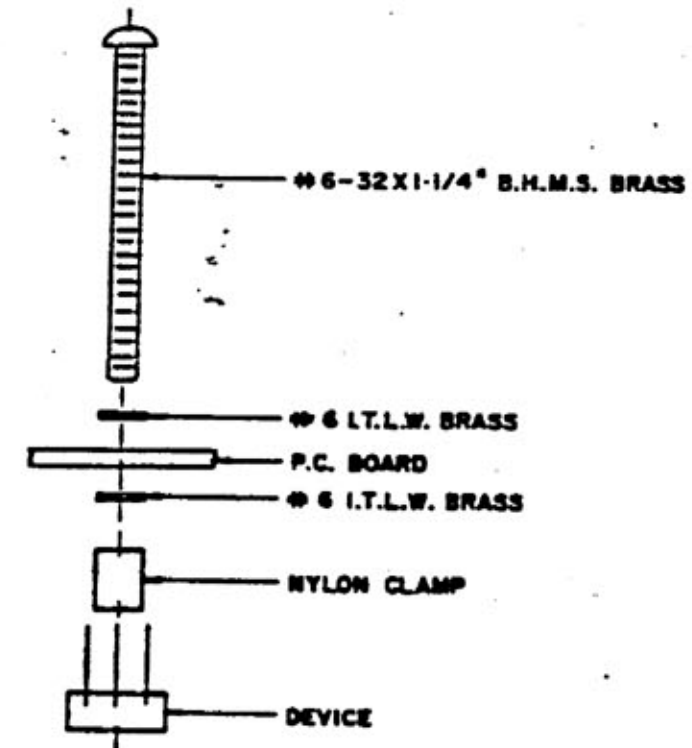
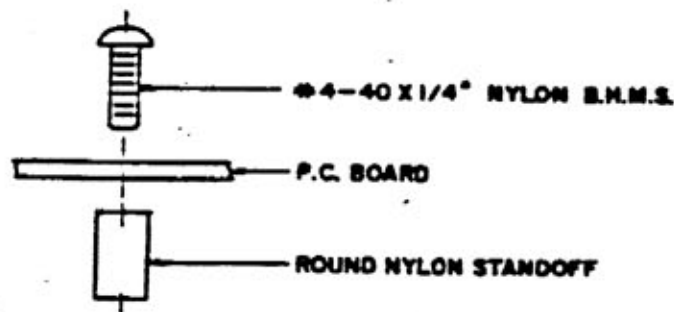
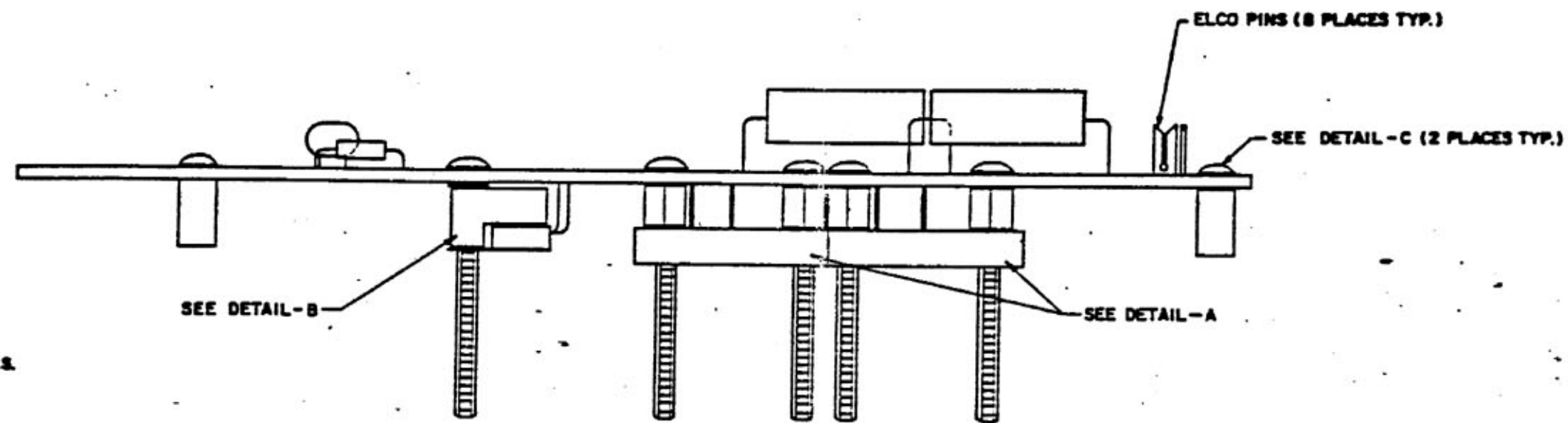
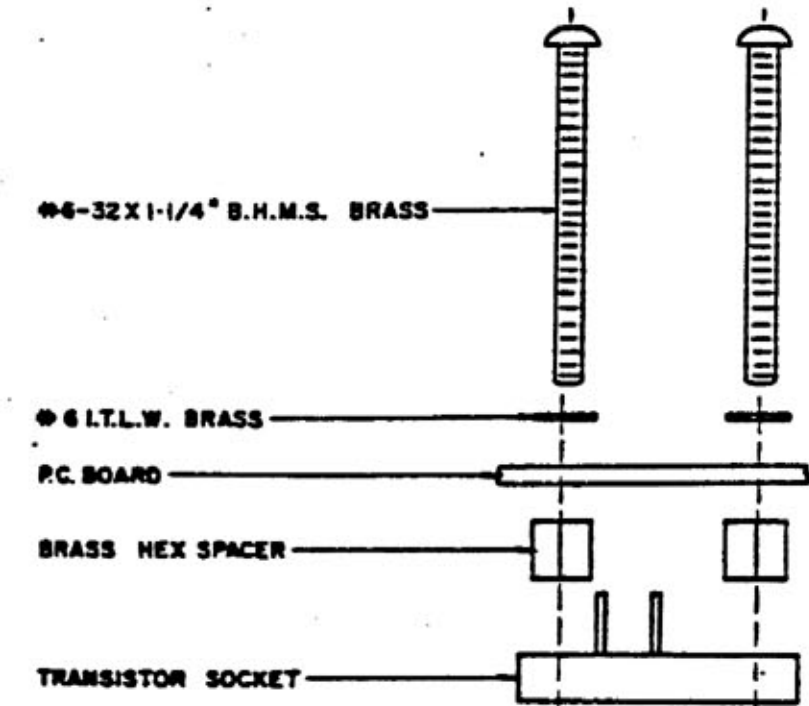


ORIGINAL WHEN RED

				TOLERANCES UNLESS SPECIFIED		<b>MADRIGAL</b> audio laboratories, inc. 2081 south main street middletown connecticut 06457 u.s.a.					
				FRACTION $\pm 0.010$							
				DECIMAL $\pm 0.005$		MATERIAL		SHEET		OF	
				ANGLE $\pm 1/2^\circ$		USED IN		A		B	
				DR. <i>A.M.</i> DATE 5-2-86		ML-2		C		D	
				CH. DATE		NAME		E		R	
ISSUE	REVISION	DATE	SCALE	Regulated Supply & Fault Protection				NO. S		75-1703-00-00-00	



PARALLEL 1pc. 806 ohm RN55 RESISTOR  
ACROSS THIS IN4003 DIODE.



DRAWING No 2

**ORIGINAL IF RED**  
Property of  
Madrigal Audio Laboratories Inc.

- NOTE:
- 1 ALL CAPACITORS ARE IN CODE UNLESS OTHERWISE SPECIFIED.
  - 2 ALL RESISTORS ARE RN55, & ARE IN CODE UNLESS OTHERWISE SPECIFIED.
  - 3 INSTALL MOUNTING PADS ON ALL STANDING COMPONENTS.

TOLERANCES UNLESS SPECIFIED		MADRIGAL Audio Laboratories, Inc.	
FRAC TION	DECIMAL	ANGLE	DIAMETER
1/16	.0625	15°	
C ECN 0032 2-29		DATE	ML-2
B Change 40.2 ohm to 100 ohm 4-23		DATE	
A Change 75 ohm to 40.2 ohm 8-29		DATE	
REVISION	DATE	DATE	DATE
PBP-1			75-1713-01-00-00