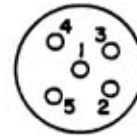


NOTE:

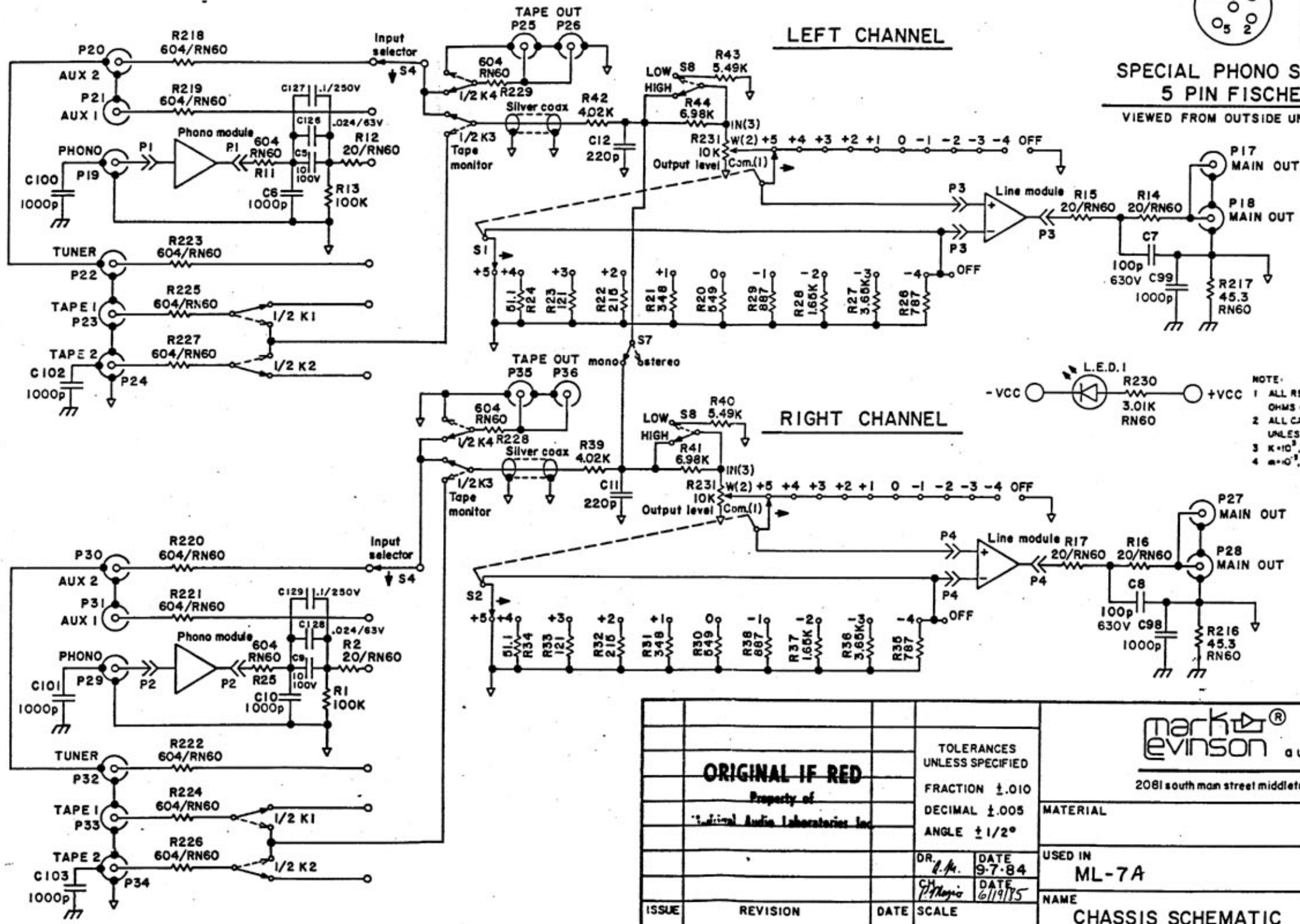
- 1 ALL RESISTORS ARE RN55, .125W MIL., 1%, & ARE IN OHMS OR IN CODE UNLESS INDICATED OTHERWISE.
- 2 ALL CAPACITORS ARE IN MICROFARADS OR IN CODE UNLESS INDICATED OTHERWISE.
- 3 K=10³, M=10⁶.
- 4 m=10⁻³, u=10⁻⁶, n=10⁻⁹, p=10⁻¹².

ORIGINAL IF RED Property of Medial Audio Laboratories Inc.		TOLERANCES UNLESS SPECIFIED		 55 circular avenue hamden connecticut 06514 u.s.a.	
		FRACTION ±.010			
ISSUE		REVISION		MATERIAL	
		DATE		USED IN	
DATE		SCALE		NAME	
DR. <i>D.A.</i>		DATE 9-12-84		ML-7A	
CH. <i>D. M. J.</i>		DATE 6/19/85		RELAY DRIVE	
NO. S		SHEET		OF	
75-2070-00-00-00		A		B C D E R	

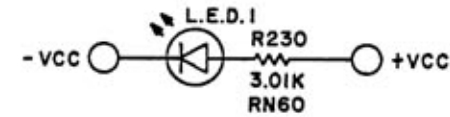


1 = ---
 2 = RIGHT \downarrow
 3 = LEFT PHONO INPUT
 4 = LEFT \downarrow
 5 = RIGHT PHONO INPUT

**SPECIAL PHONO SOCKET
 5 PIN FISCHER**
 VIEWED FROM OUTSIDE UNIT



NOTE:
 1 ALL RESISTORS ARE RN55, 125W MIL., 1%, & ARE IN OHMS OR IN CODE UNLESS INDICATED OTHERWISE.
 2 ALL CAPACITORS ARE IN MICROFARADS OR IN CODE UNLESS INDICATED OTHERWISE.
 3 K = 10^3 , M = 10^6 .
 4 n = 10^{-9} , μ = 10^{-6} , p = 10^{-12} .

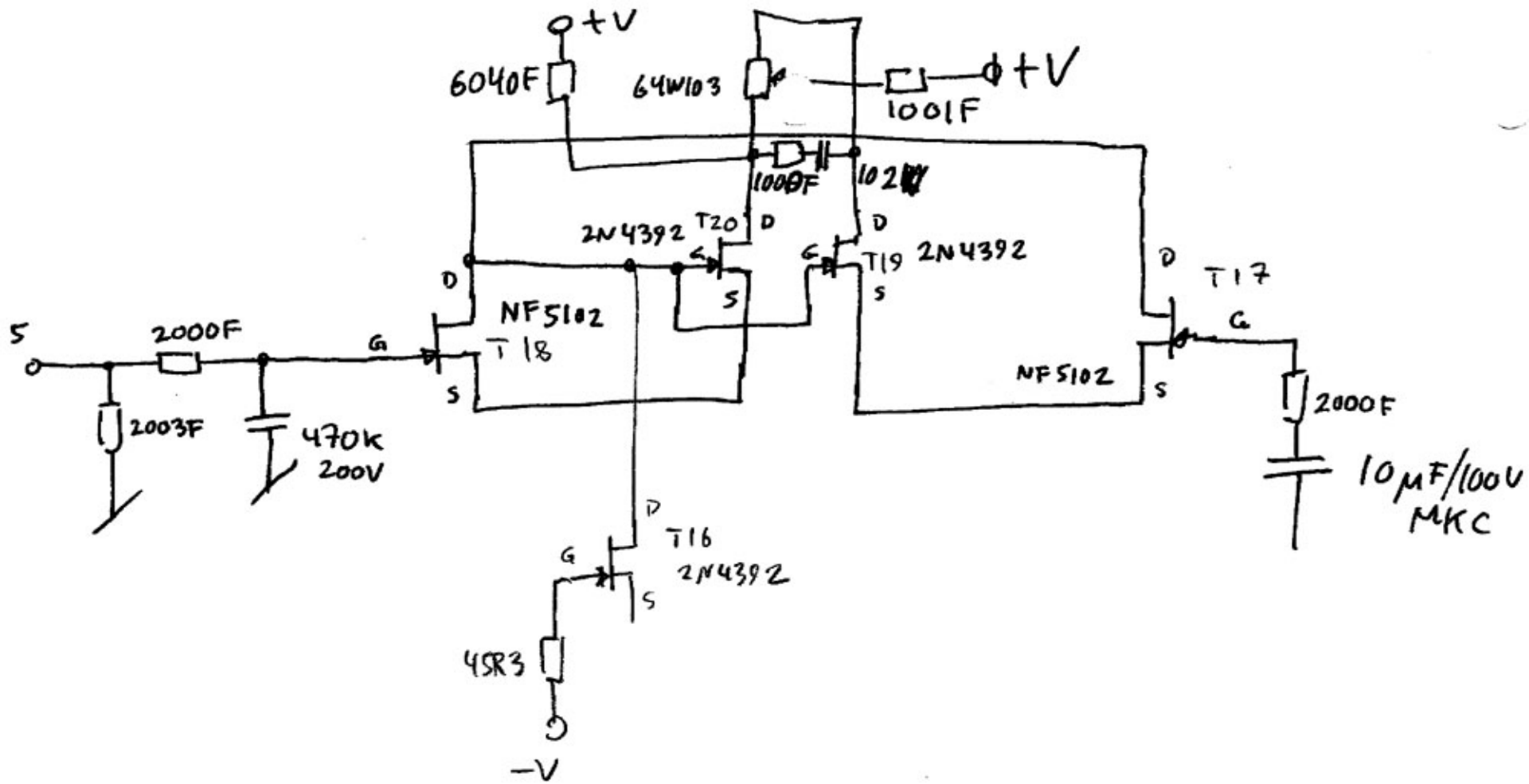


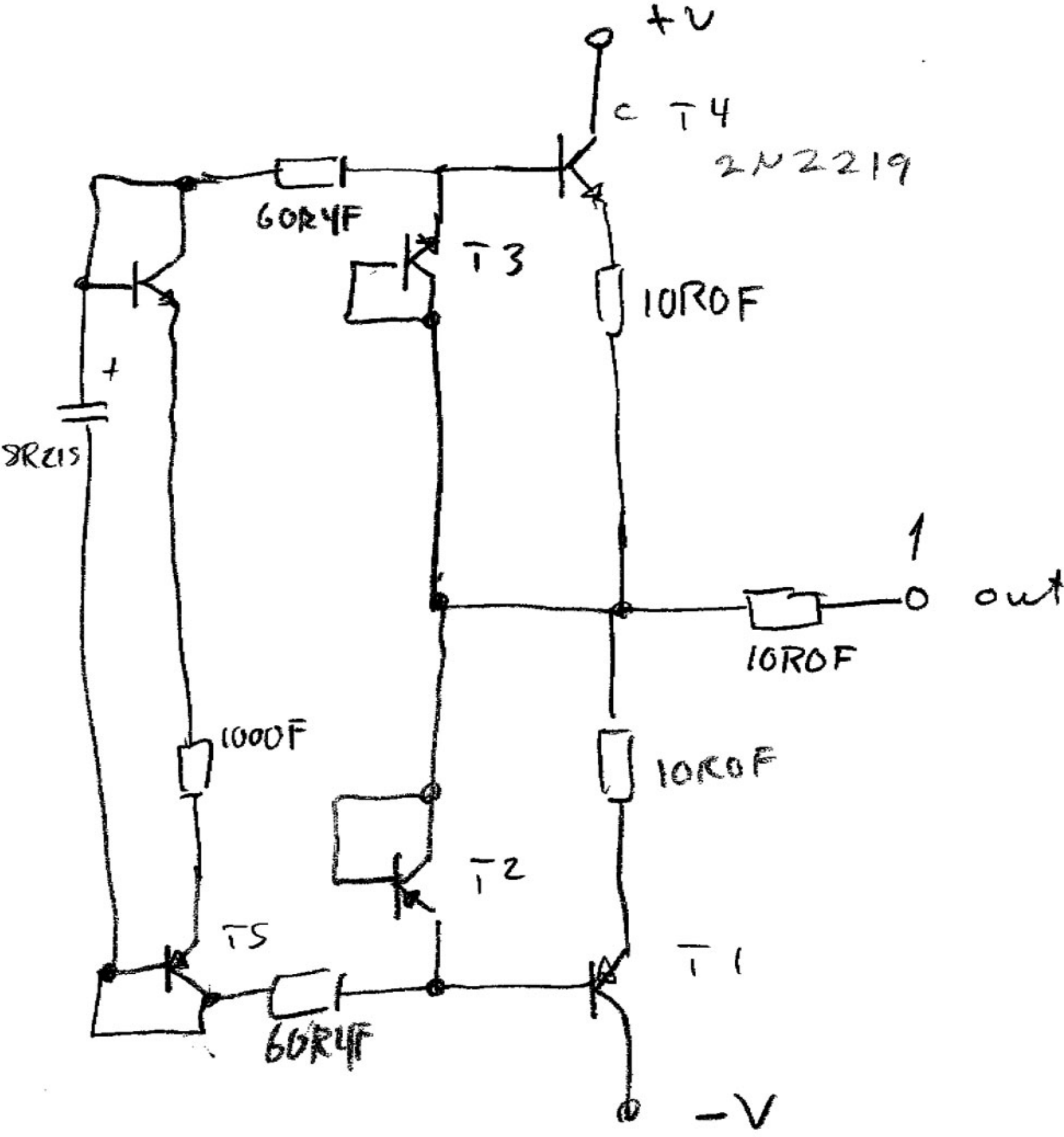
ORIGINAL IF RED		TOLERANCES UNLESS SPECIFIED	
Property of T. J. Audio Laboratories Inc.		FRACTION ± 0.10	
		DECIMAL ± 0.05	
		ANGLE $\pm 1/2^\circ$	
DR. <i>d.m.</i>	DATE 9-7-84	USED IN ML-7A	
CH <i>P. Hays</i>	DATE 6/19/75	NAME CHASSIS SCHEMATIC	
ISSUE	REVISION	DATE	SCALE

mark evinson audio systems, ltd
 2081 south main street middletown connecticut 06457 u.s.a.

MATERIAL	SHEET	OF
USED IN ML-7A	A	B C D E R
NAME CHASSIS SCHEMATIC	NO. S	75-2070-00-00-00

	TOP	BOTTOM	
2N2905A			
2N2219A			
2N2907A			
2N2222A			
MPS-A05			
MPS-A55			
7505			
2N4392			
NF5102			

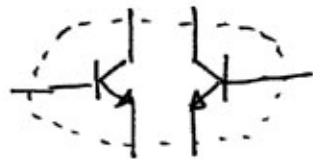
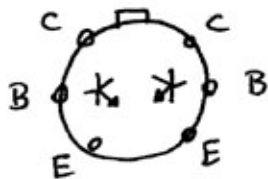




TOP

BOTTOM

~~LM3394BH~~
LM394BH

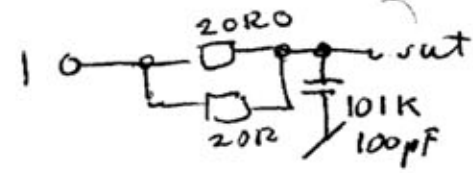


2N5794

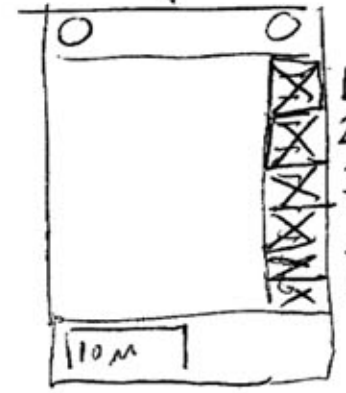
2N5796

3 = 0V GND
 4 = -V
 2 = +V
 5 = input
 1 = output

Pa main board

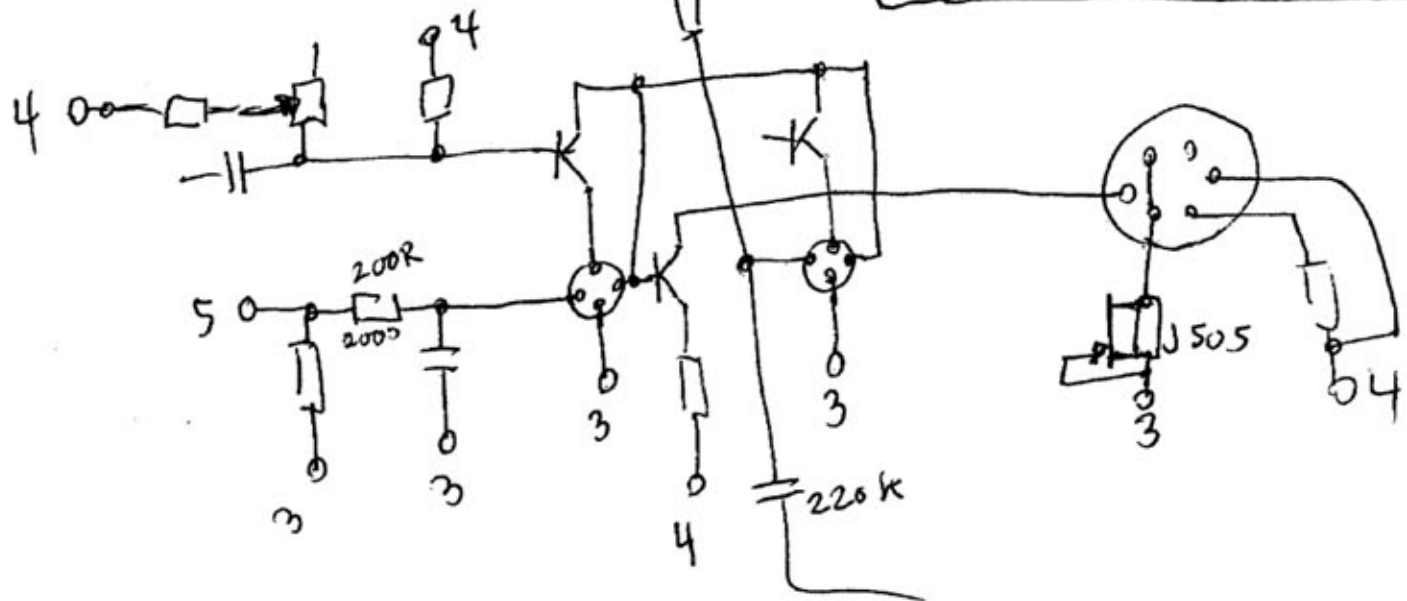
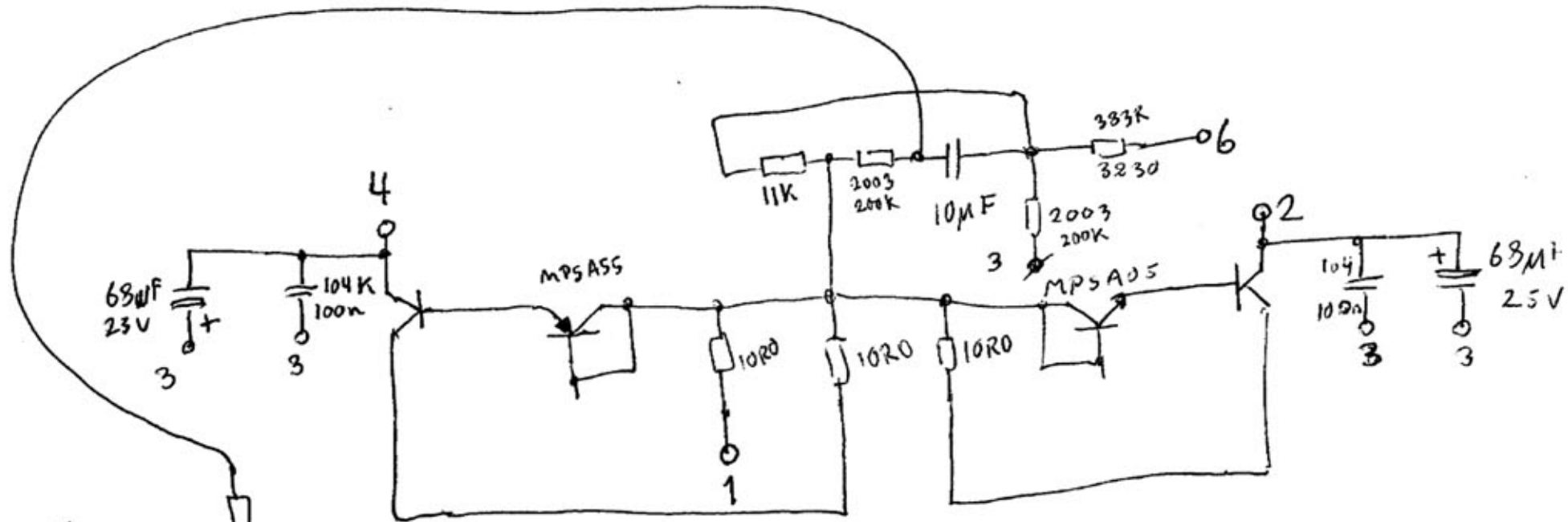


overpin



1 2x4
 2 2x4
 3 2x4
 4 2x4
 5 2x2
 6 2x2

} BAL :



ML7 line stage