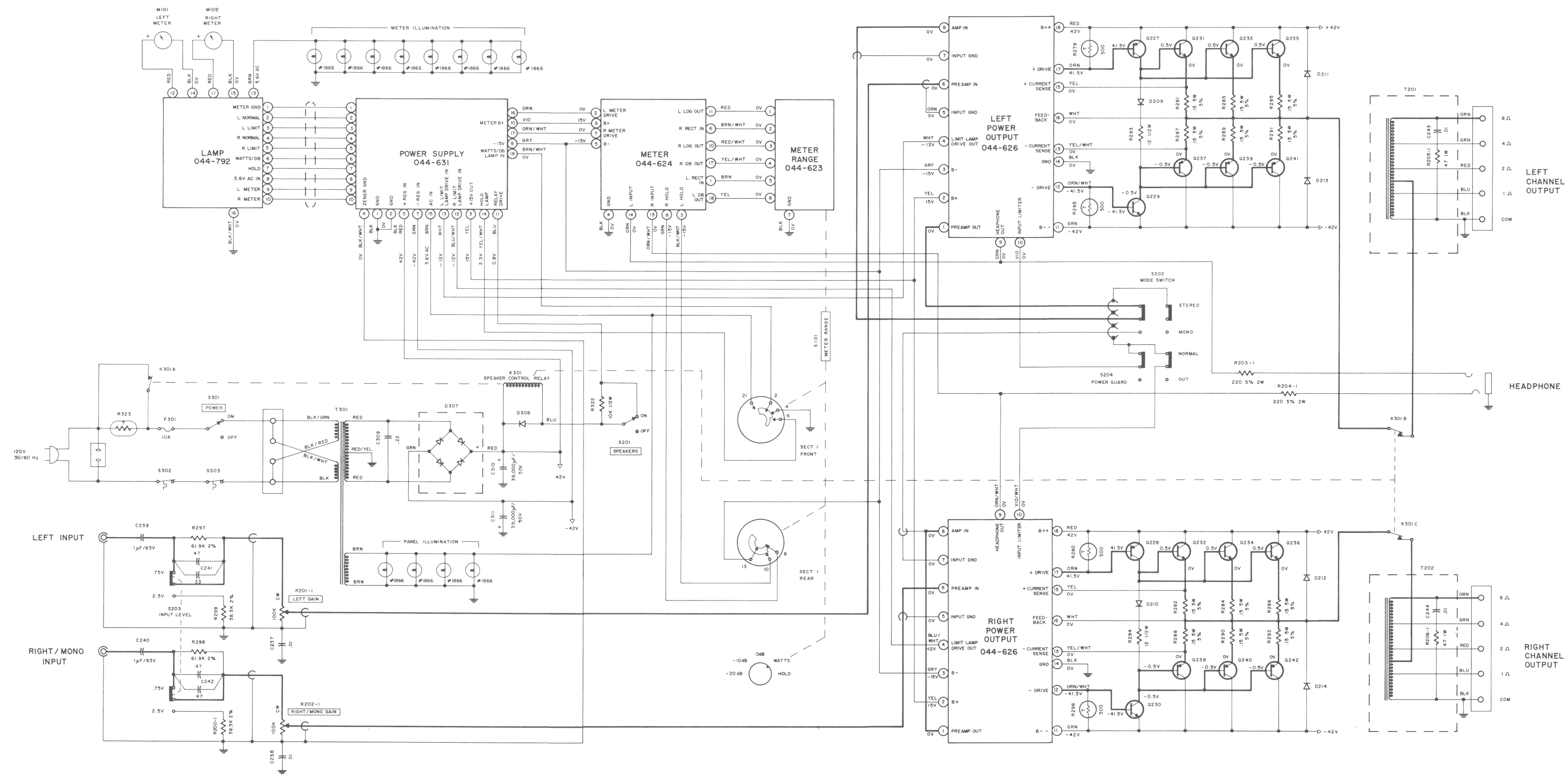
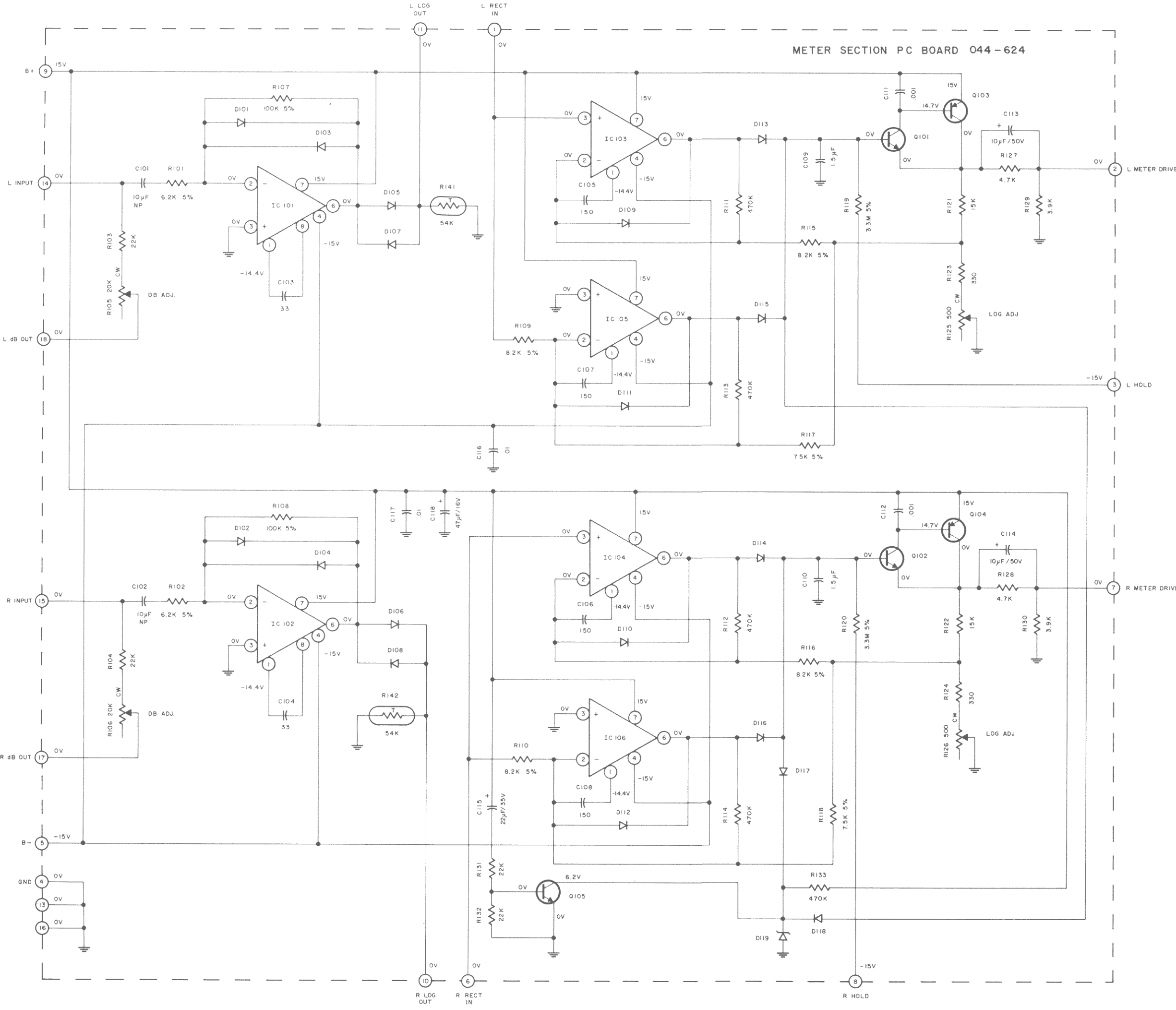
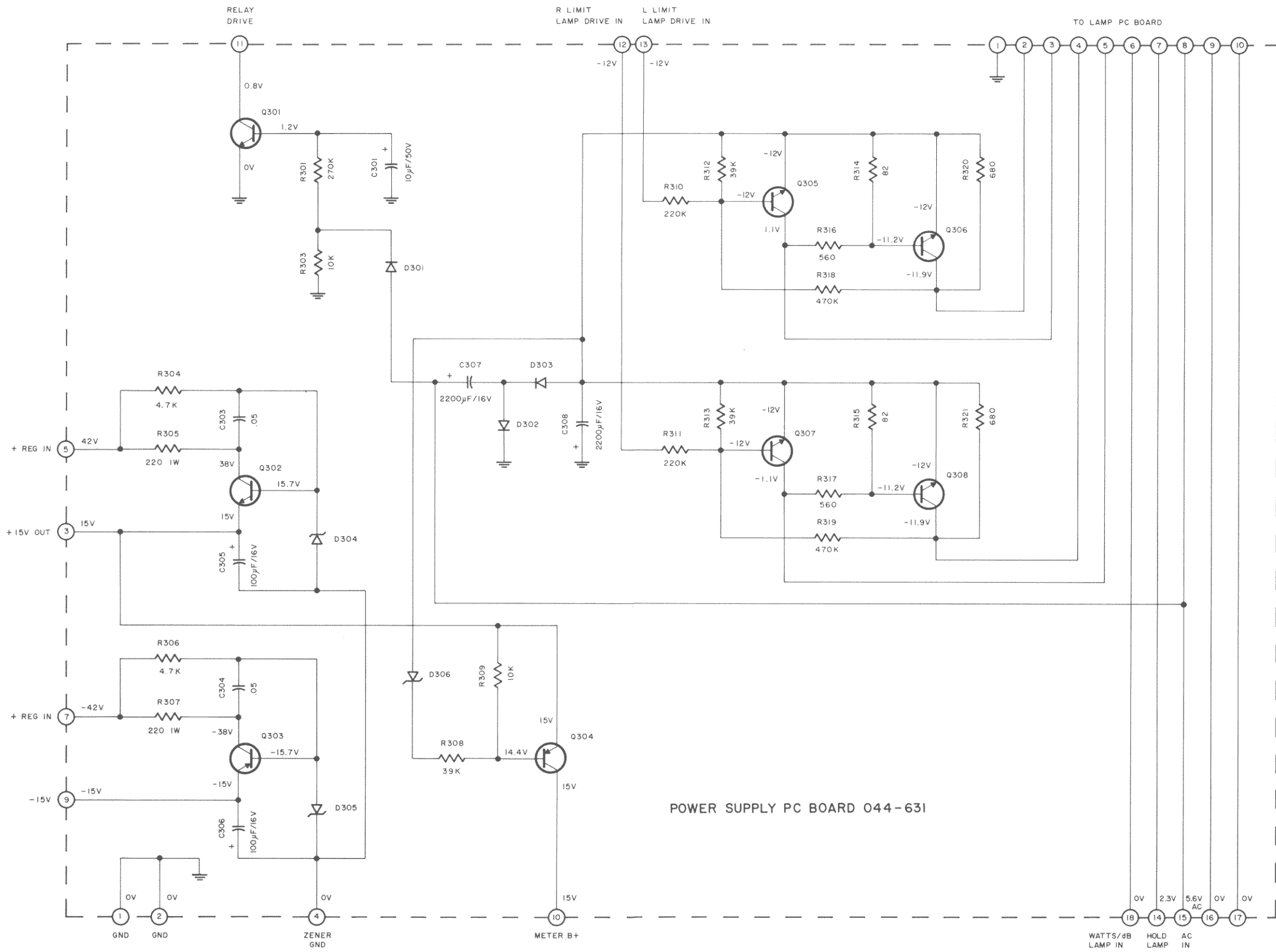


BLOCK DIAGRAM

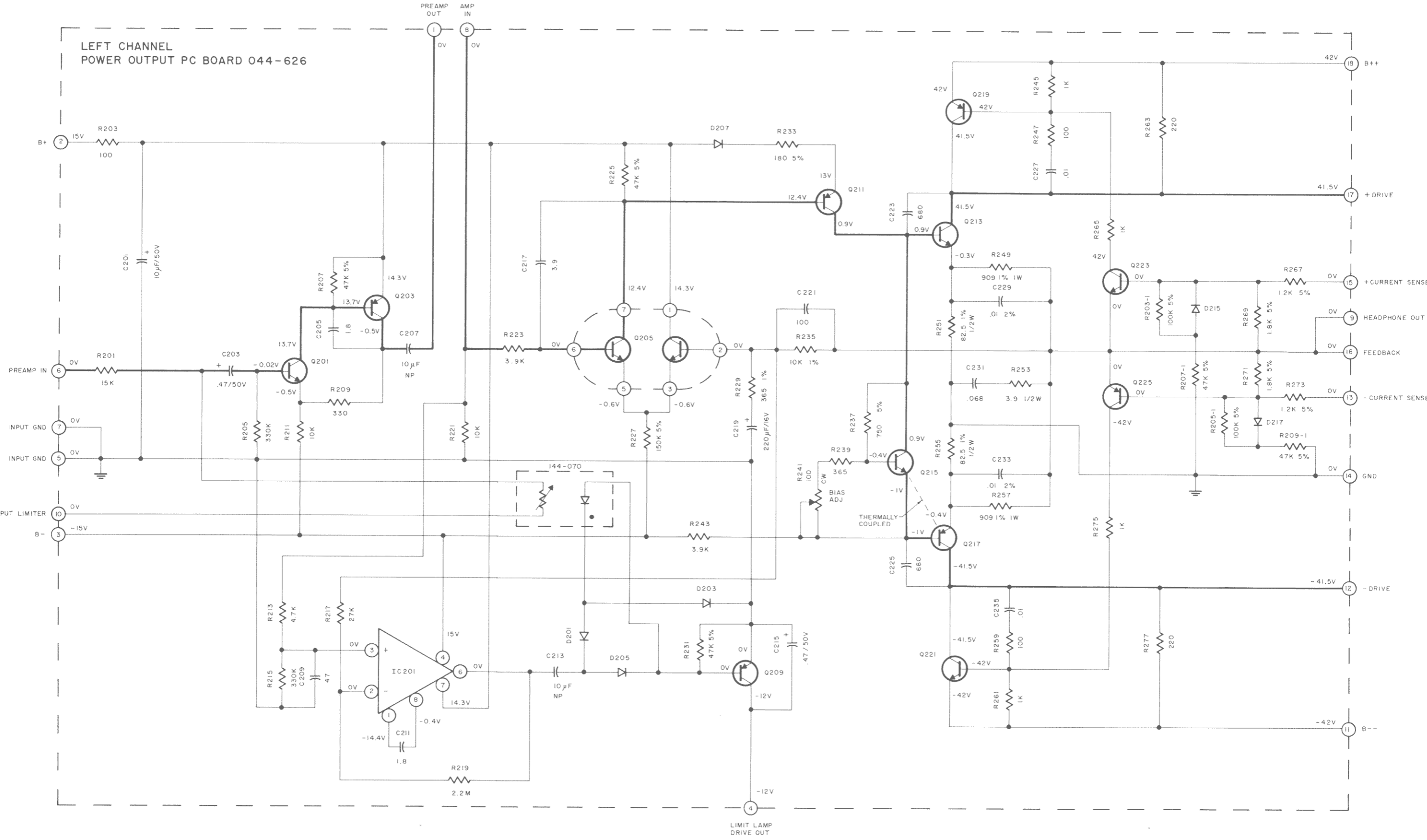


METER SECTION PC BOARD 044-624





LEFT CHANNEL  
POWER OUTPUT PC BOARD 044-626



RIGHT CHANNEL  
POWER OUTPUT PC BOARD 044-626

