

MAINTENANCE MANUAL

McIntosh

MC240

STEREO POWER AMPLIFIER

(Serial No. 1P001 to 3P999
and 100D1 & above)

VOLTAGE AND RESISTANCE CHART

Tube	Pin No.	DC Volts No. Signal	AC Volts at rated output	Resistance in Ohms Unit Off
12AX7 (V1)	1	103	1.9	160K*
	2	0	.42	1M
	3	.7	.41	3.3K
	4 & 5	0	0	0
	6	103	1.9	160K*
	7	0	.42	1M
	8	.7	.41	3.3K
	9	0	6.3	0
	12AU7 (V2 or V5)	1	205	11
2	103	1.9	160K*	
3	108	.9	18K	
4 & 5	0	0	0	
6	205	11	43K*	
7	85	0	2.4M*	
8	108	.9	18K	
9	0	6.3	0	
12BH7 (V3 or V6)	1	350	144	12K*
	2	18	11	200K
	3	35	.6	2.7K
	4 & 5	0	0	0
	6	350	144	12K*
	7	18	11	200K
	8	35	.6	2.7K
	9	0	6.3	0
	12AX7 (V4 or V7)	1	430	108
2	-46	144	1.1M	
3	-46	136	260K	
4 & 5	0	0	0	
6	430	108	26*	
7	-46	144	1.1M	
8	-46	136	260K	
9	0	6.3	0	
6L6GC/7027A (V8, V9, V10, V11)	1	-	-	-
	2	0	0	0
	3	430	108	27*
	4	430	108	26*
	5	-46	136	260K
	6	-	-	-
	7	0	6.3	0
	8	.7	108	26

STEREO PREAMP POWER CONNECTIONS

- PIN 1 - GROUND
- PIN 2 - L INPUT
- PIN 3 - R INPUT
- PIN 4 - GROUND
- PIN 5 - 375 V DC AT 15MA
- PIN 6 - 25.2 V AT 1.2A
- PIN 7 - 25.2 V CENTER TAP
- PIN 8 - 25.2 V AT 1.2A

600Ω/70.7 V OUTPUT RECEPICAL CONNECTIONS

- PIN 1 - GROUND, 70.7 V RETURN, AND 600 Ω C.T.
- PINS 1 AND 2 - LEFT 70.7 V OUTPUT
- PINS 2 AND 3 - LEFT 600 Ω OUTPUT
- PINS 1 AND 4 - RIGHT 70.7 V OUTPUT
- PINS 4 AND 5 - RIGHT 600 Ω OUTPUT

SINGLE CHANNEL (MONO) OUTPUT NOTE:

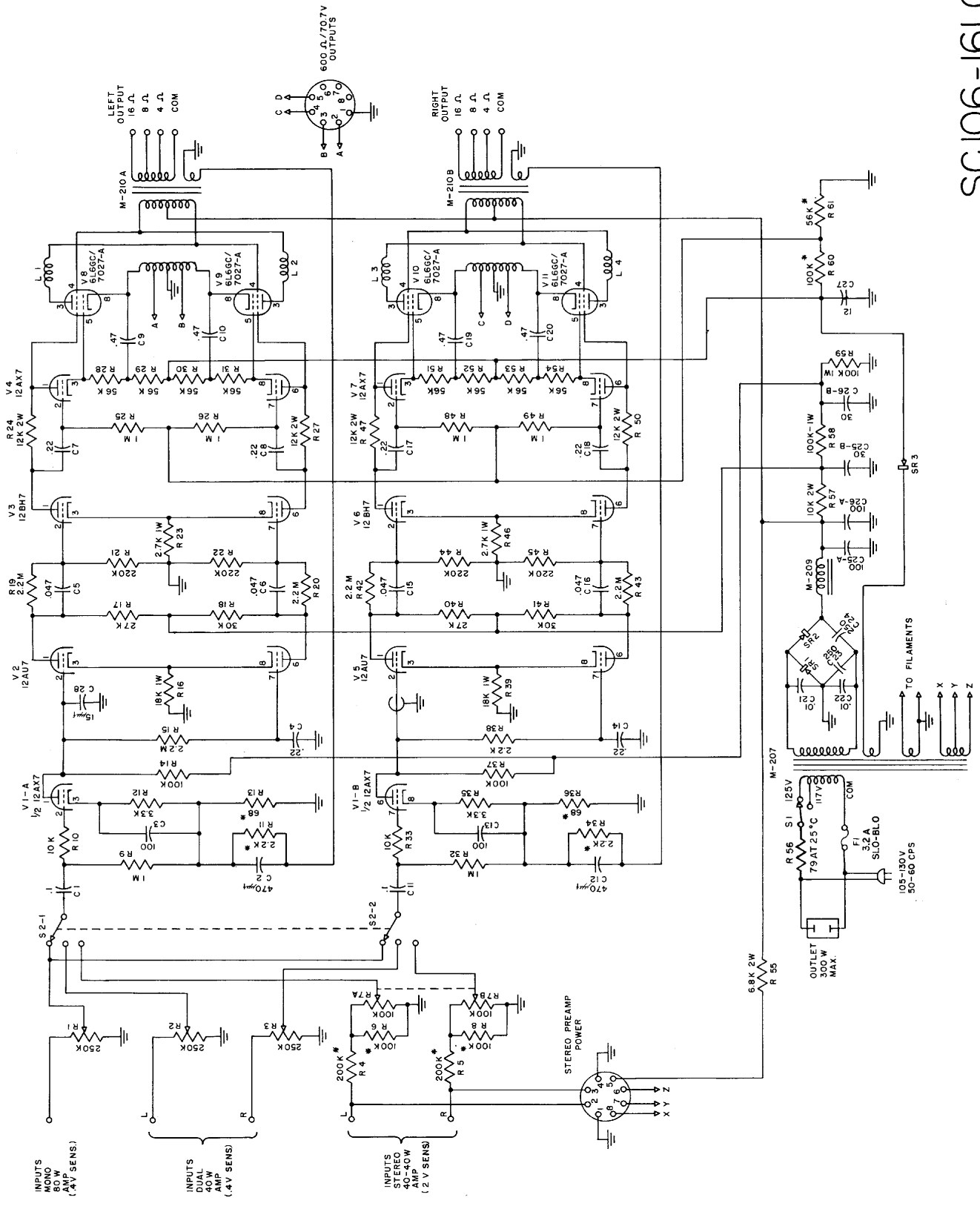
FOR SINGLE CHANNEL OUTPUT
PARALLEL OR SERIES CONNECT THE
L AND R OUTPUTS TO OBTAIN
DESIRED OUTPUT IMPEDANCE.

* 5% TOLERANCE RESISTORS

FOLLOWING COMPONENTS ARE
MATCHED TO 1%:

- R 11 AND R 34
- R 13 AND R 36
- R 24 AND R 27
- R 47 AND R 50

*This Resistance measured with condenser C25A shorted to ground.
A high impedance VTVM is used to measure the operating voltages and resistances.
BE SURE THE AMPLIFIER IS TURNED OFF WHEN MEASURING RESISTANCES.



SC106-161C

Special components used in the MC240 are listed below. These components are designed and built specifically for the MC240. They may be purchased directly from McIntosh Laboratory by ordering from the Service Department. Be sure to mention "Schematic No.," description, and model and serial number for your amplifier when ordering parts.

SCHEMATIC NO.	DESCRIPTION
M207	Power transformer
M210A	Left Output transformer
M210B	Right Output transformer
M209	Choke
C23	Filter Capacitor 250 mfd at 250 volts
C24	Filter Capacitor 250 mfd at 250 volts
C25 A and B	Filter Capacitor 100/30 mfd at 500/450 volts
C26 A and B	Filter Capacitor 100/30 mfd at 500/450 volts
R56	Thermistor
R1	Input gain control 250,000 ohms
R2	Input gain control 250,000 ohms
R3	Input gain control 250,000 ohms
R7 A and B	Balance control
SR1	Silicon Rectifier (B+), 600 PIV at 500 MA
SR2	Silicon Rectifier (B+) " " "
SR3	Selenium Rectifier (Bias), 400 PIV at 10 MA
L1	Choke
L2	Choke
L3	Choke
L4	Choke

McIntosh

LABORATORY, INC.

2 CHAMBERS STREET, BINGHAMTON, N. Y.

Made in U.S.A.

Phone—Area Code 607-723-5491