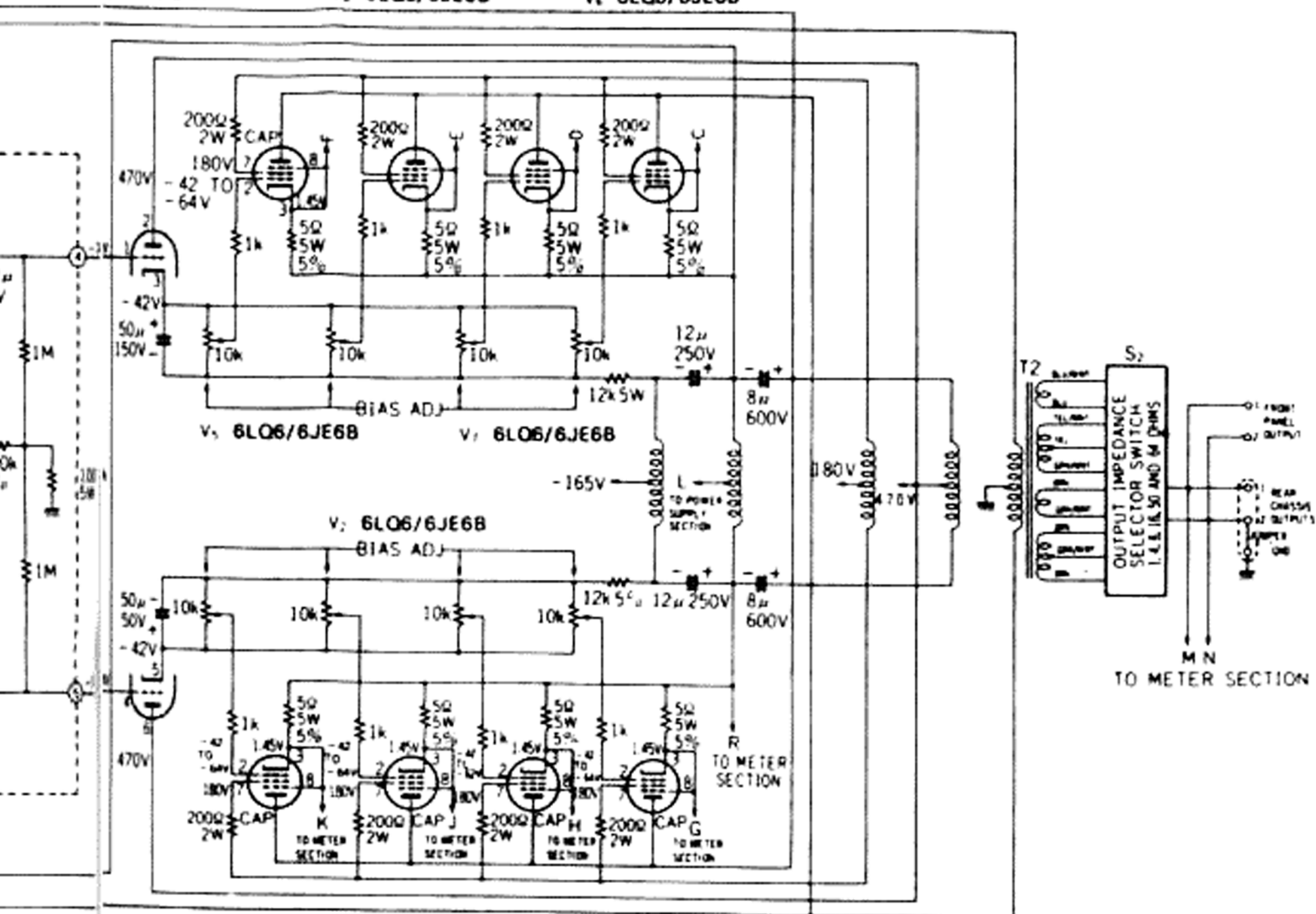




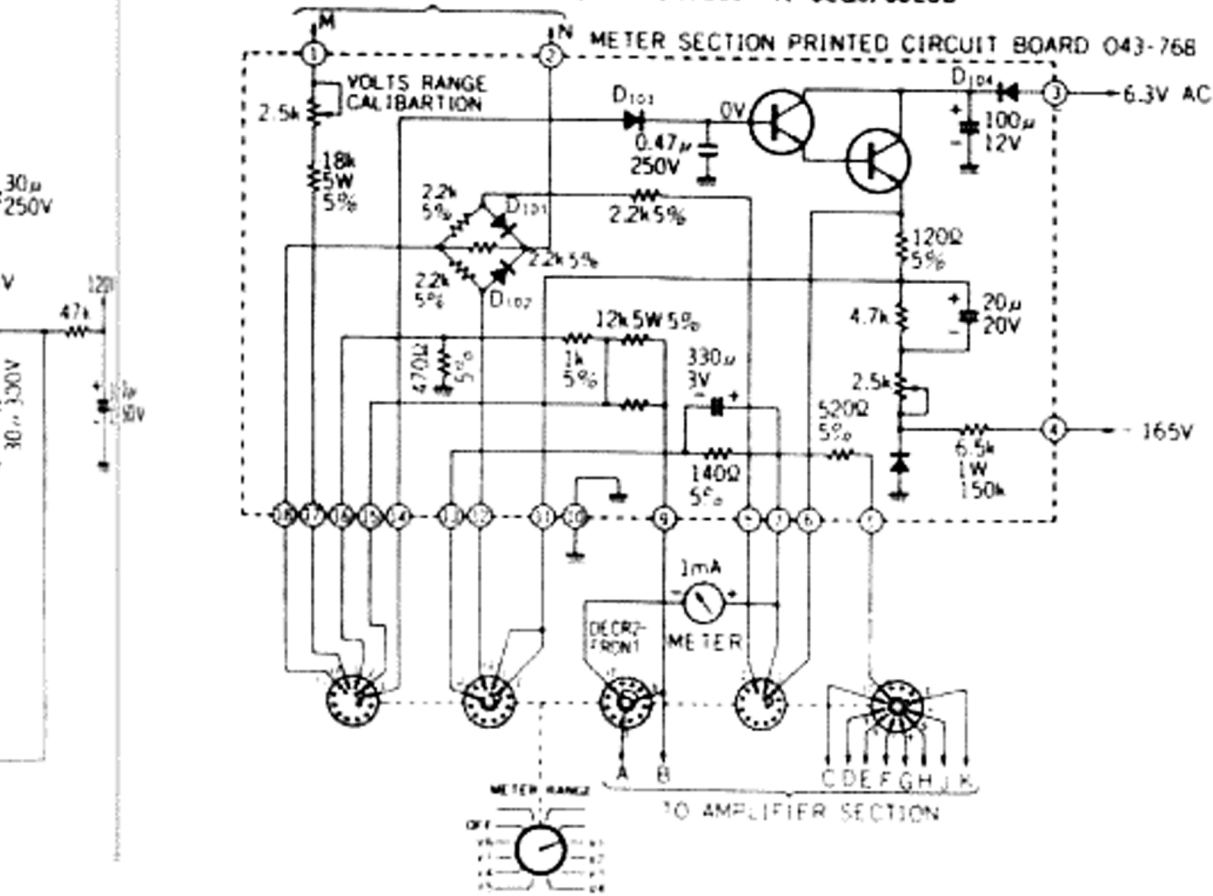
V<sub>3</sub> 6BL7GTA

V<sub>4</sub> 6LQ6/6JE6B

V<sub>5</sub> 6LQ6/6JE6B



V<sub>1</sub> 6LQ6/6JE6B TO AMPLIFIER SECTION V<sub>2</sub> 6LQ6/6JE6B V<sub>3</sub> 6LQ6/6JE6B



- D<sub>1</sub>: Si rectifier
- D<sub>2</sub>: Zener diode 10V
- D<sub>3</sub>: Si signal diode
- D<sub>4</sub>: Ge signal diode
- D<sub>5</sub>: Ge signal diode
- D<sub>6</sub>: Ge signal diode
- D<sub>7</sub>: Si signal diode
- D<sub>8</sub>: Si rectifier
- D<sub>9</sub>: Si rectifier
- D<sub>10</sub>: Si rectifier
- D<sub>11</sub>: Si rectifier
- D<sub>12</sub>: Si rectifier
- D<sub>13</sub>: Si rectifier
- D<sub>14</sub>: Zener diode

