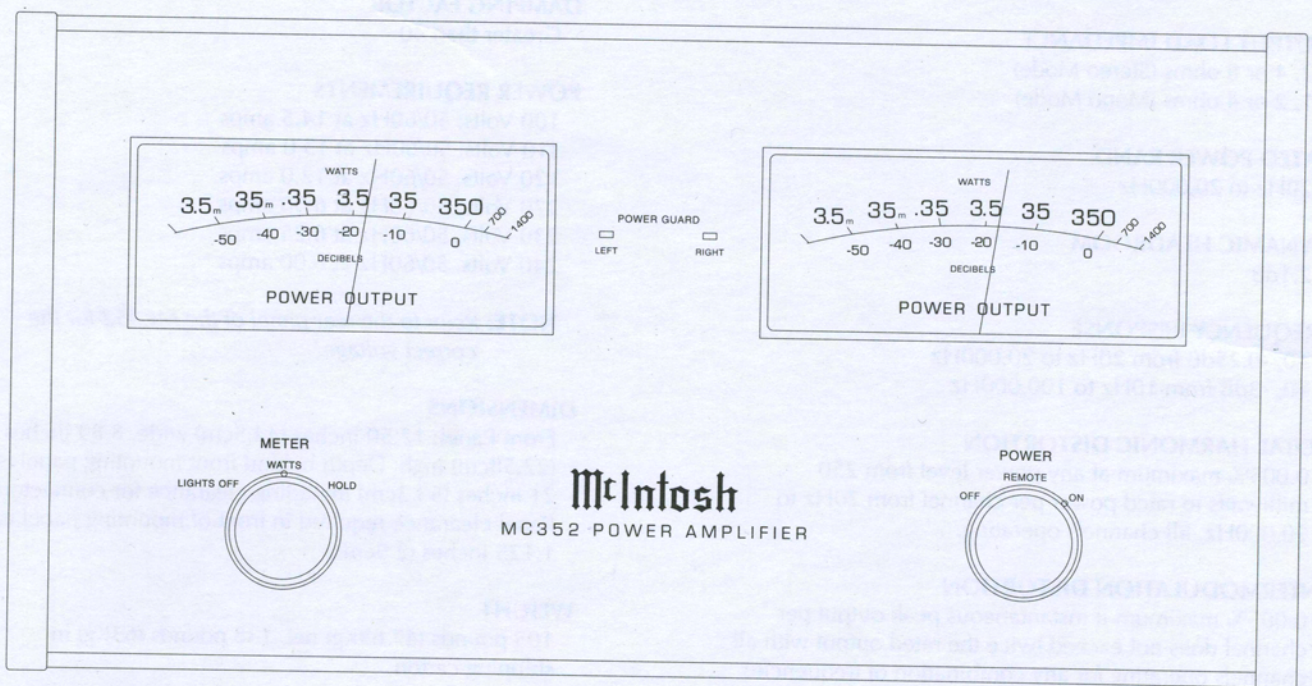


# MC352

## POWER AMPLIFIER



### CONTENTS

Performance Specifications .....	2	Input Schematic and PCB .....	14-15
Notes .....	2	Capacitor Schematic and PCB .....	16
Rear Panel .....	3	Meter Schematic and PCB .....	17-19
Section Locations .....	4	Indicator Schematic and PCB .....	20
Block Diagram .....	5-6	Lamp Schematics and PCBs .....	21-22
Interconnection Diagram .....	7-8	Parts List .....	23-25
Heatsink Schematic and PCB .....	9-10	Exploded View and Parts List .....	26-28
Driver Schematic and PCB .....	11-13	Repacking Instructions .....	29

# McIntosh

SERVICE MANUAL

# PERFORMANCE SPECIFICATIONS

## POWER OUTPUT STEREO

350 watts into 2, 4 or 8 ohm loads is the minimum sine wave continuous average power output per channel both channels operating.

## POWER OUTPUT MONO PARALLEL

700 watts into 1, 2 or 4 ohm loads is the minimum sine wave continuous average power output.

## OUTPUT LOAD IMPEDANCE

2, 4 or 8 ohms (Stereo Mode)  
1, 2 or 4 ohms (Mono Mode)

## RATED POWER BAND

20Hz to 20,000Hz

## DYNAMIC HEADROOM

2.1dB

## FREQUENCY RESPONSE

+0, -0.25dB from 20Hz to 20,000Hz  
+0, -3dB from 10Hz to 100,000Hz

## TOTAL HARMONIC DISTORTION

0.005% maximum at any power level from 250 milliwatts to rated power per channel from 20Hz to 20,000Hz, all channels operating.

## INTERMODULATION DISTORTION

0.005% maximum if instantaneous peak output per channel does not exceed twice the rated output with all channels operating for any combination of frequencies from 20Hz to 20,000Hz.

## SIGNAL TO NOISE RATIO (A WEIGHTED)

85dB Unbalanced (116dB below rated output)  
115dB Balanced (124dB below rated output)

## SENSITIVITY

1.9 Volts Unbalanced Input  
3.8 Volts Balanced Input

## INPUT IMPEDANCE

20,000 ohms Unbalanced  
40,000 ohms Balanced

## DAMPING FACTOR

Greater than 40

## POWER REQUIREMENTS

100 Volts, 50/60Hz at 14.5 amps  
110 Volts, 50/60Hz at 13.0 amps  
120 Volts, 50/60Hz at 12.0 amps  
220 Volts, 50/60Hz at 6.50 amps  
230 Volts, 50/60Hz at 6.25 amps  
240 Volts, 50/60Hz at 6.00 amps

**NOTE:** Refer to the rear panel of the MC352 for the correct voltage.

## DIMENSIONS


Front Panel: 17.50 inches (44.5cm) wide, 8.89 inches (22.58cm) high. Depth behind front mounting panel is 21 inches (53.3cm) including clearance for connectors. Panel clearance required in front of mounting panel is 1.125 inches (2.9cm).

## WEIGHT

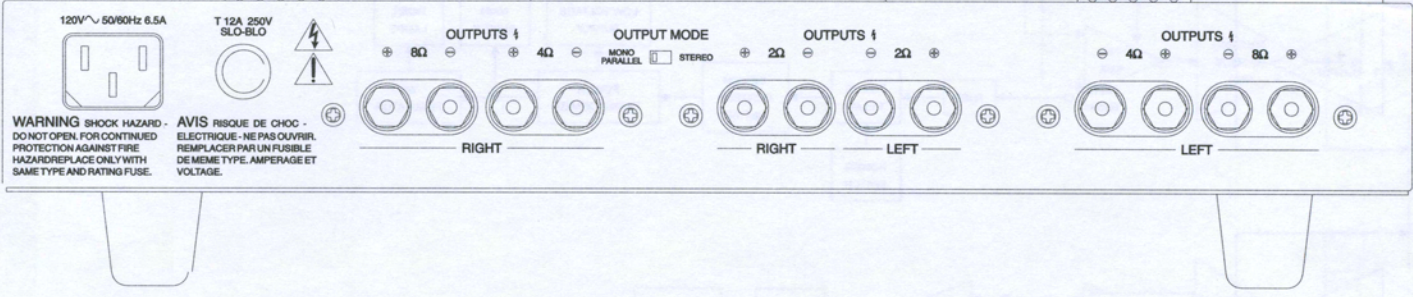
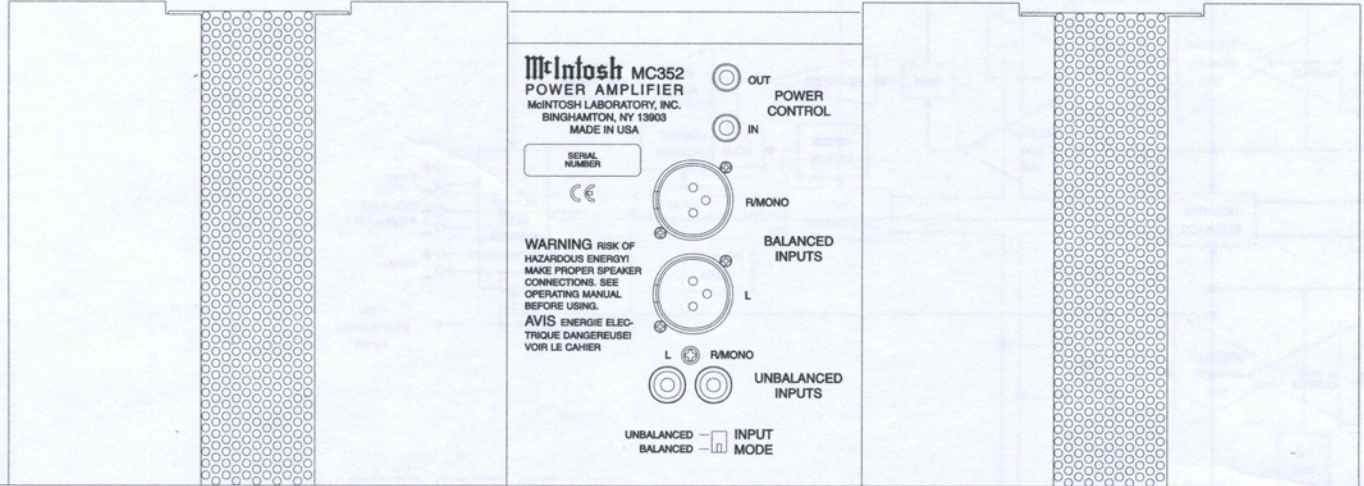
105 pounds (47.63Kg) net, 138 pounds (63Kg) in shipping carton

## NOTES

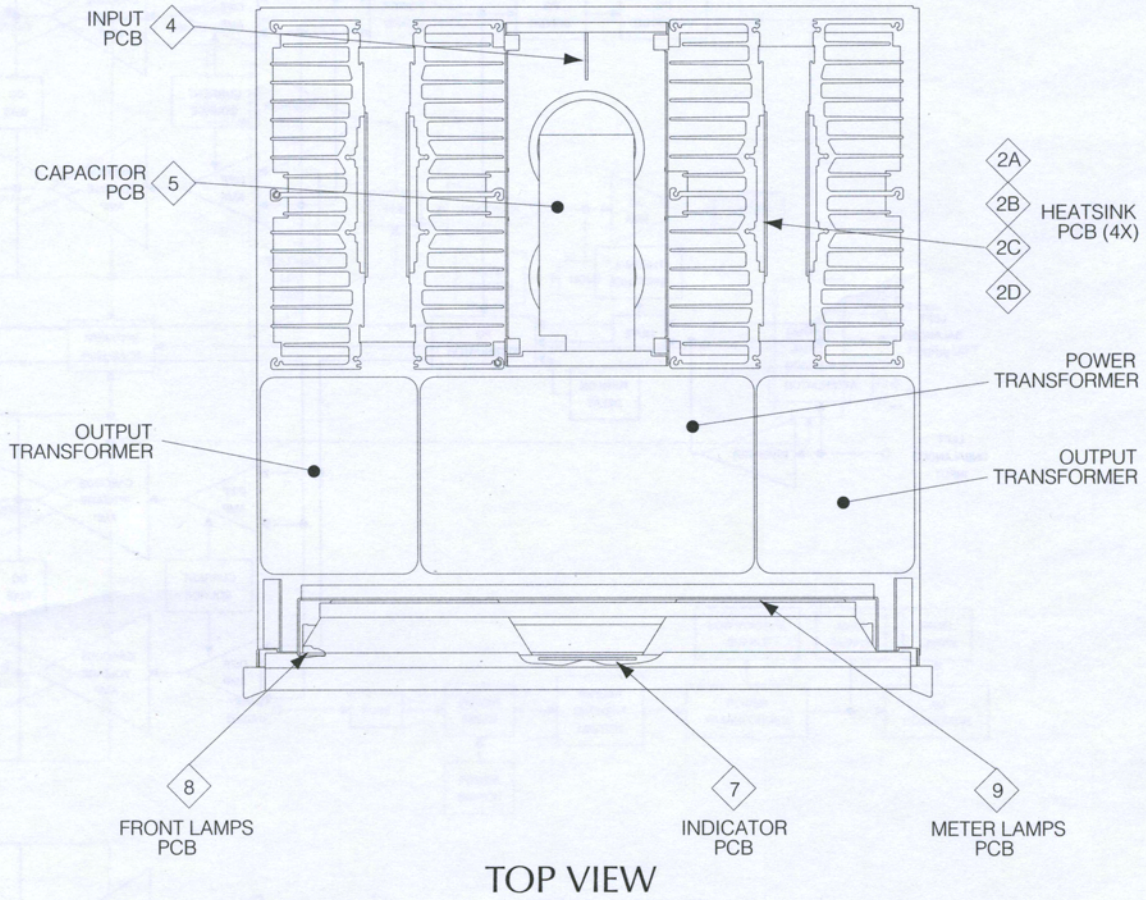
1. The heavy lines on the schematics denote the primary signal path.
2. Unless otherwise noted, all voltages indicated on the schematics are measured under the following conditions:
  - a. DC input at 14.4 volts.
  - b. ON connector at 14.4VDC.
  - c. All voltages are +\- with respect to ground.A high impedance (10 megohm) voltmeter must be used.
3. Unless otherwise specified:
  - a. Resistor values are in ohms.
  - b. Capacitor values are in microfarads ( $\mu$ F).
4. The voltages enclosed in a box are signal voltages that are measured with a 0.3V, 1kHz signal connected to all channels at the input jacks.

CHANNELS	HI-PASS FILTER	OUT
SUBWOOFER		OUT
LEVEL (4)		0.3V
5. On PC Board Drawings, Square Pad Indicates:
  - a. Polarized Capacitors — Positive
  - b. Diode Cathode
  - c. Others — Pin 1
6. **WARNING:**  
Parts marked with the symbol  have critical characteristics. Use ONLY replacement parts

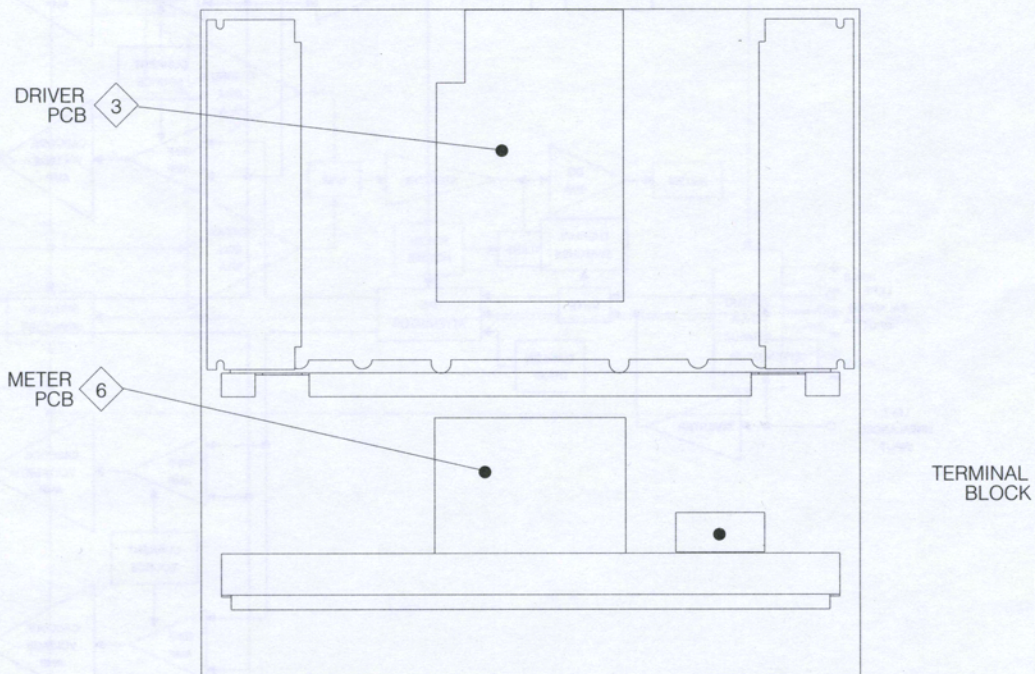
# BLOCK DIAG REAR PANEL



# SECTION LOCATIONS

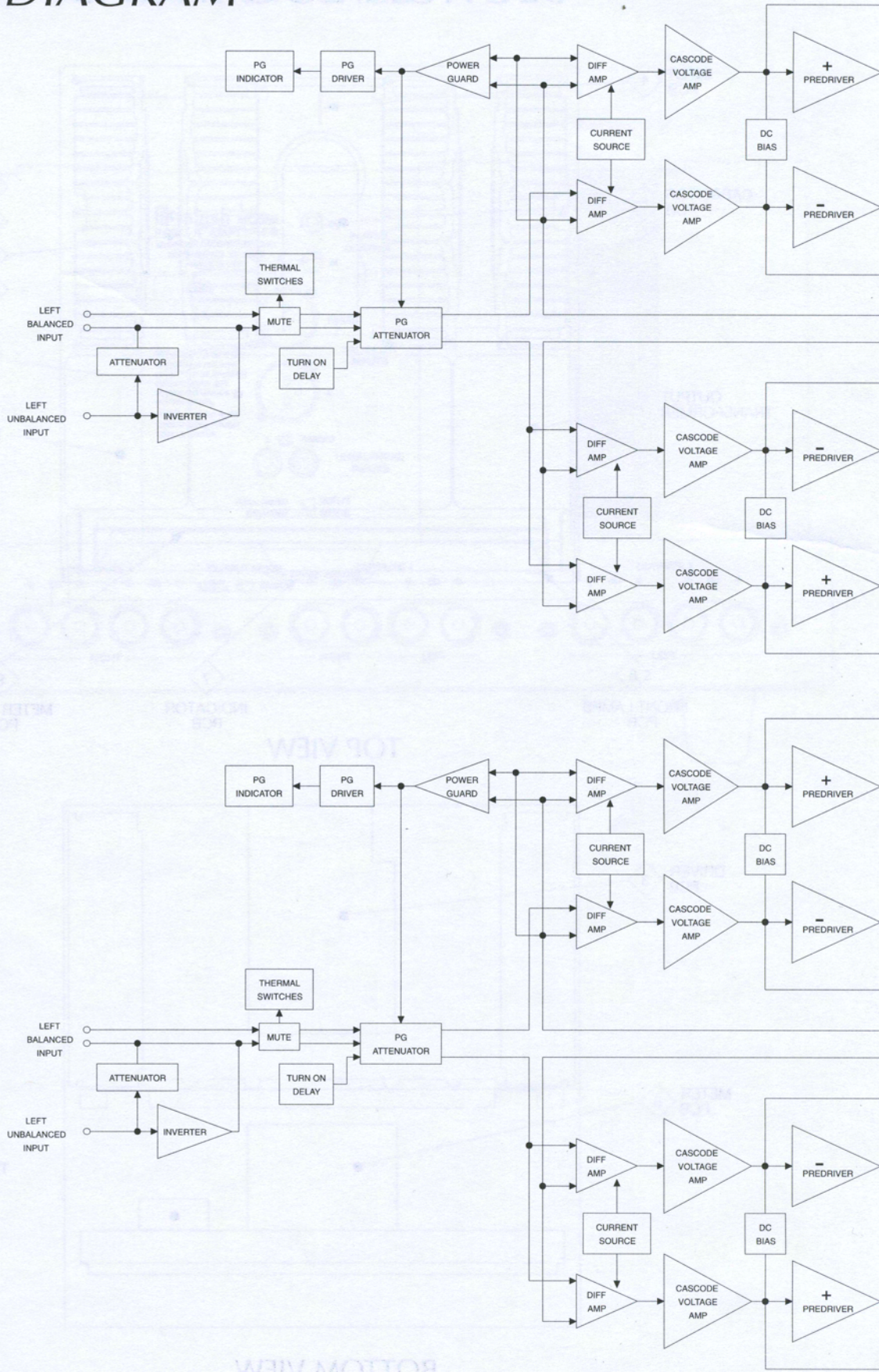


TOP VIEW

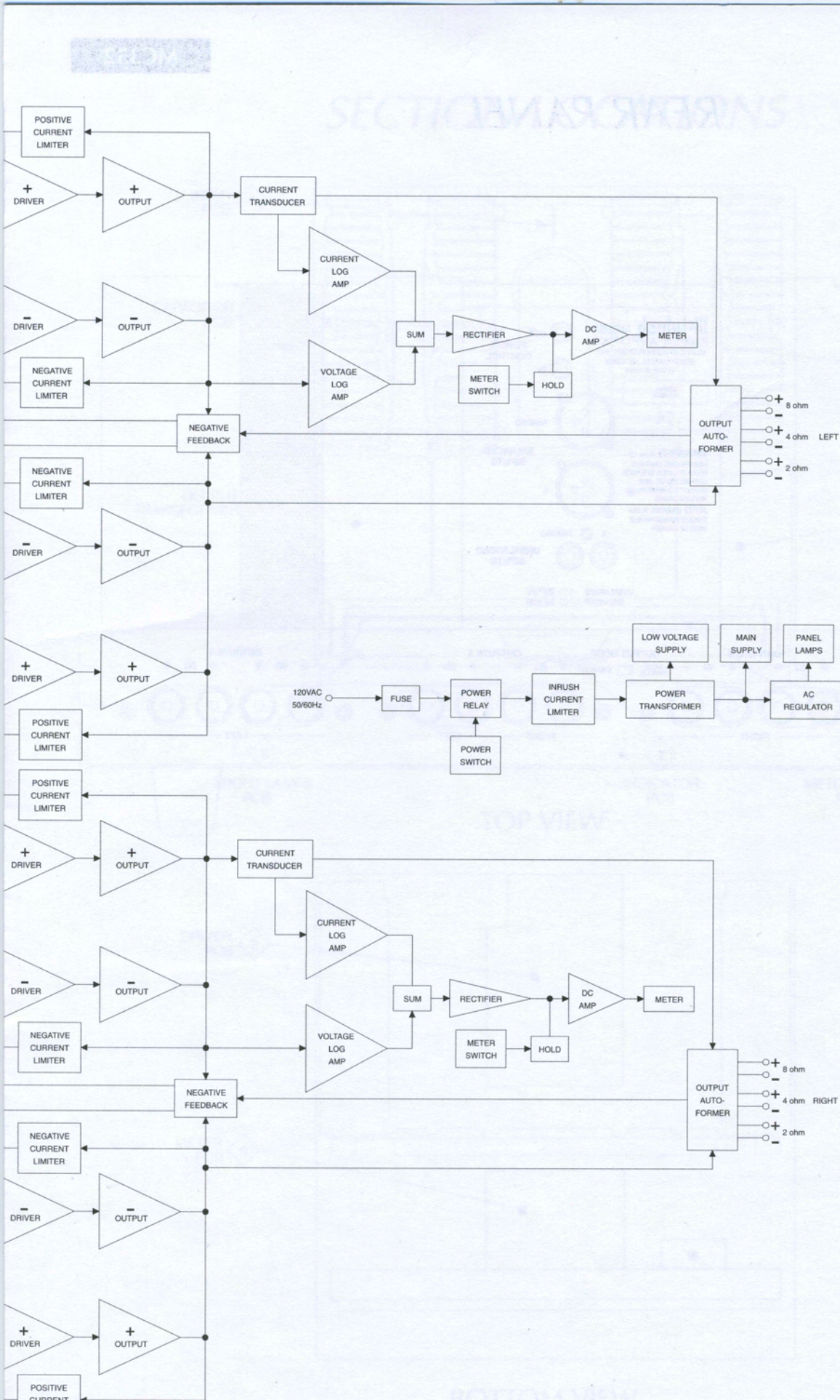


BOTTOM VIEW

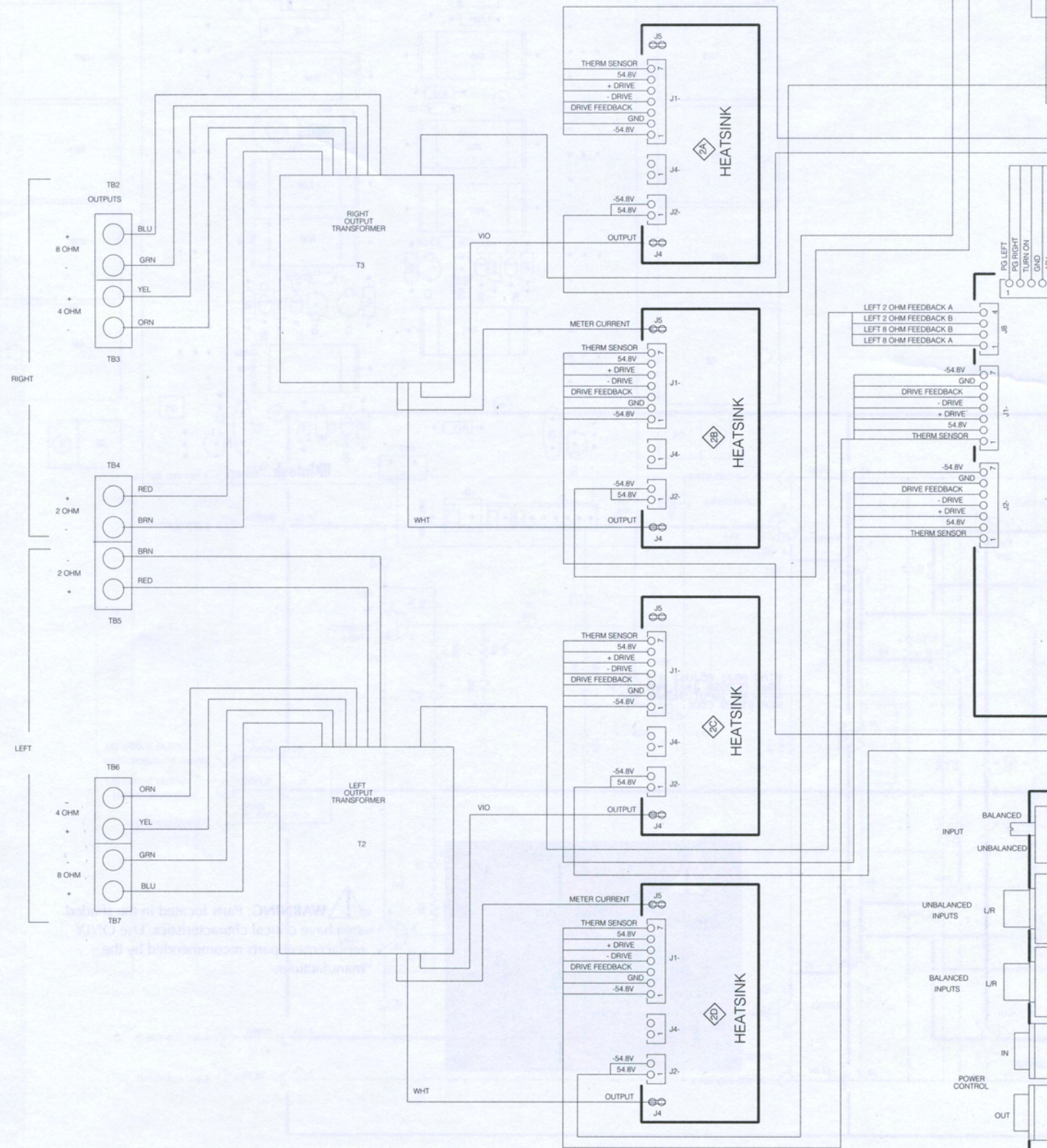
# BLOCK DIAGRAM

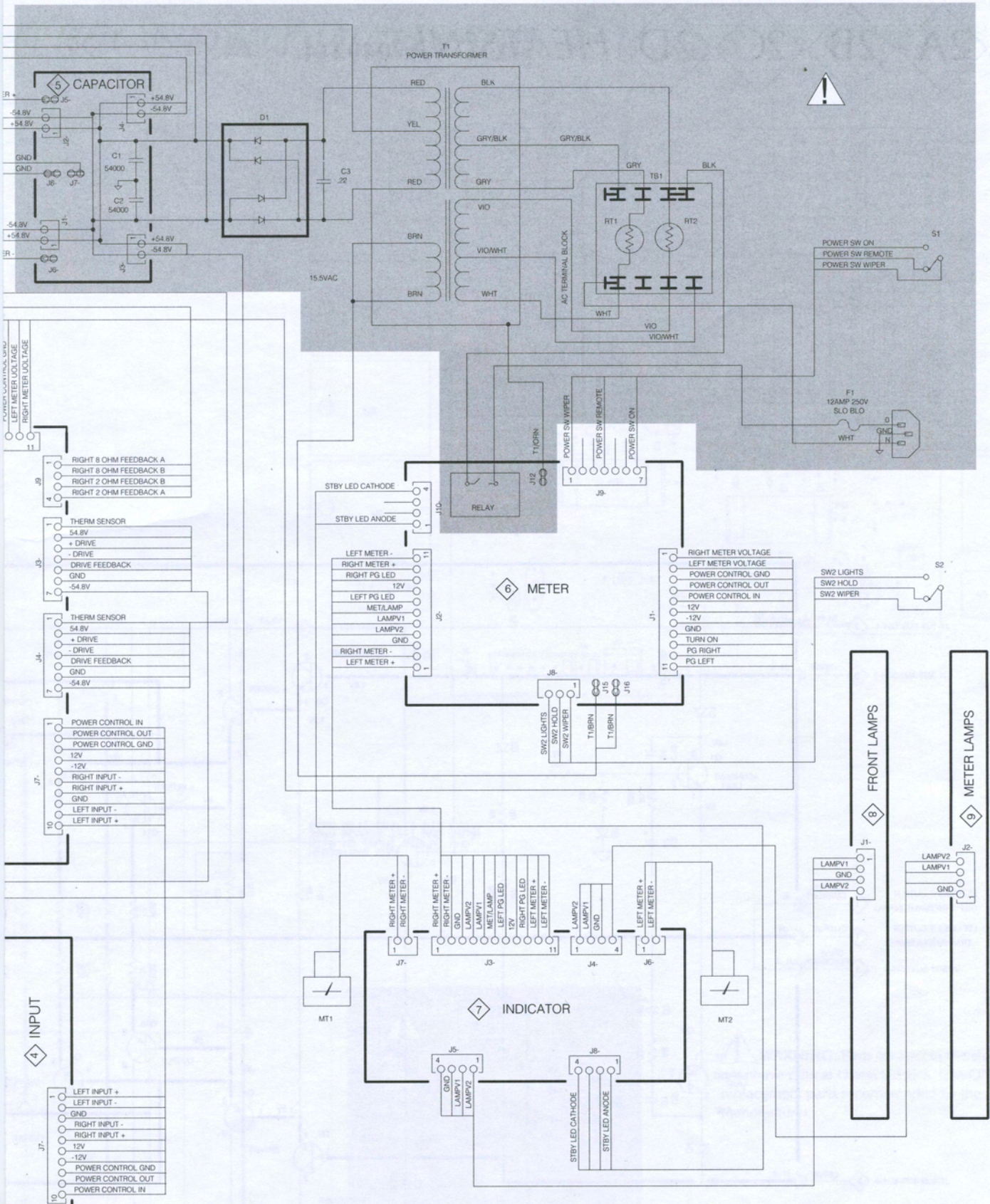


WAI  
DOWN  
PROT  
HAZA  
SAME



# 1 INTERCONNECT DIAGRAM

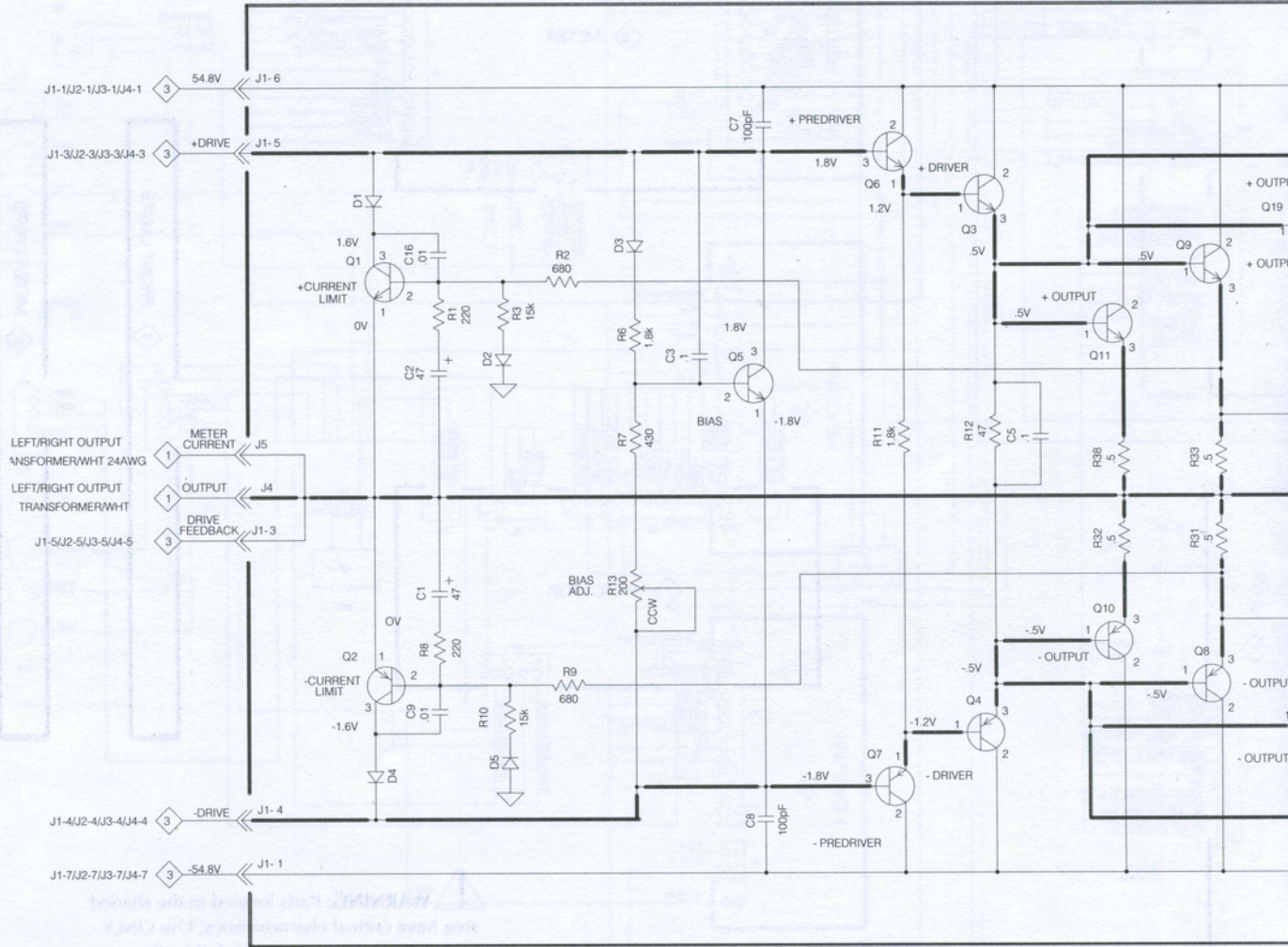




**WARNING:** Parts located in the shaded area have critical characteristics. Use ONLY replacement parts recommended by the manufacturer.

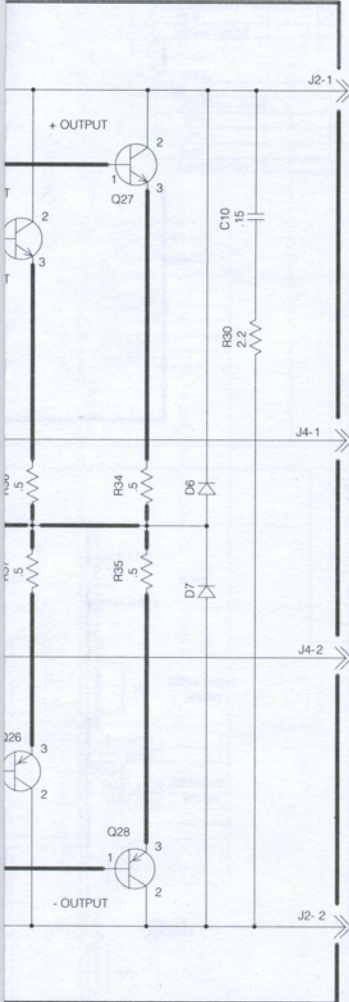
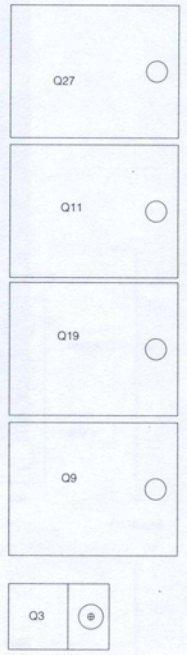
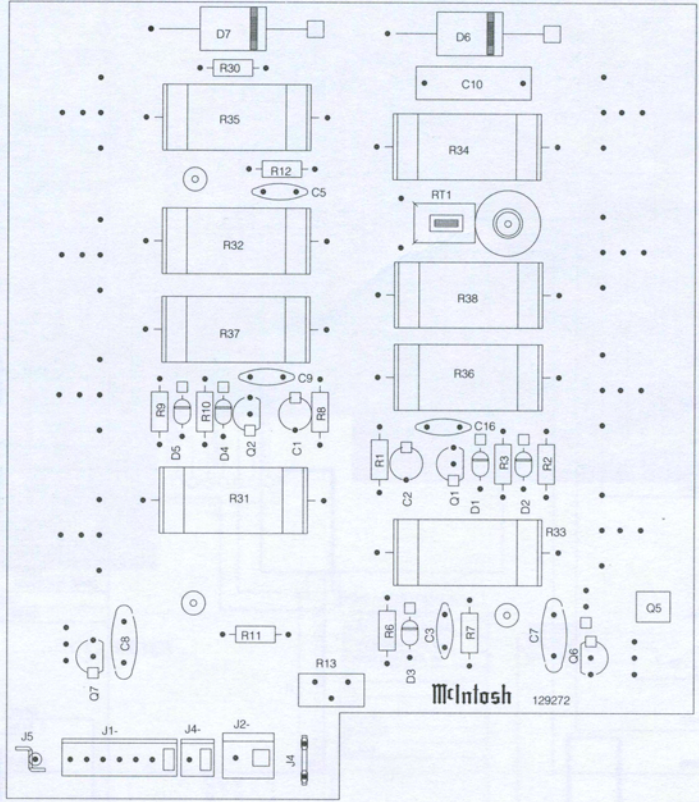
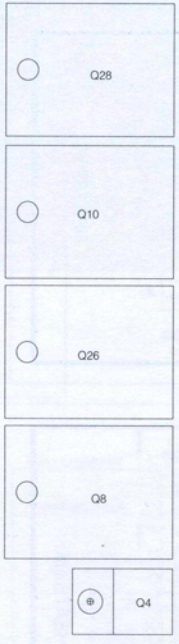


# 2A 2B 2C 2D HEATSINK 049214

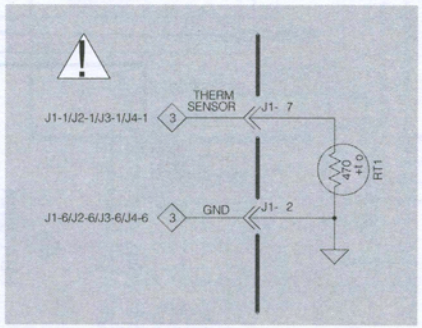


2A 2B 2C 2D PCB 049214

1

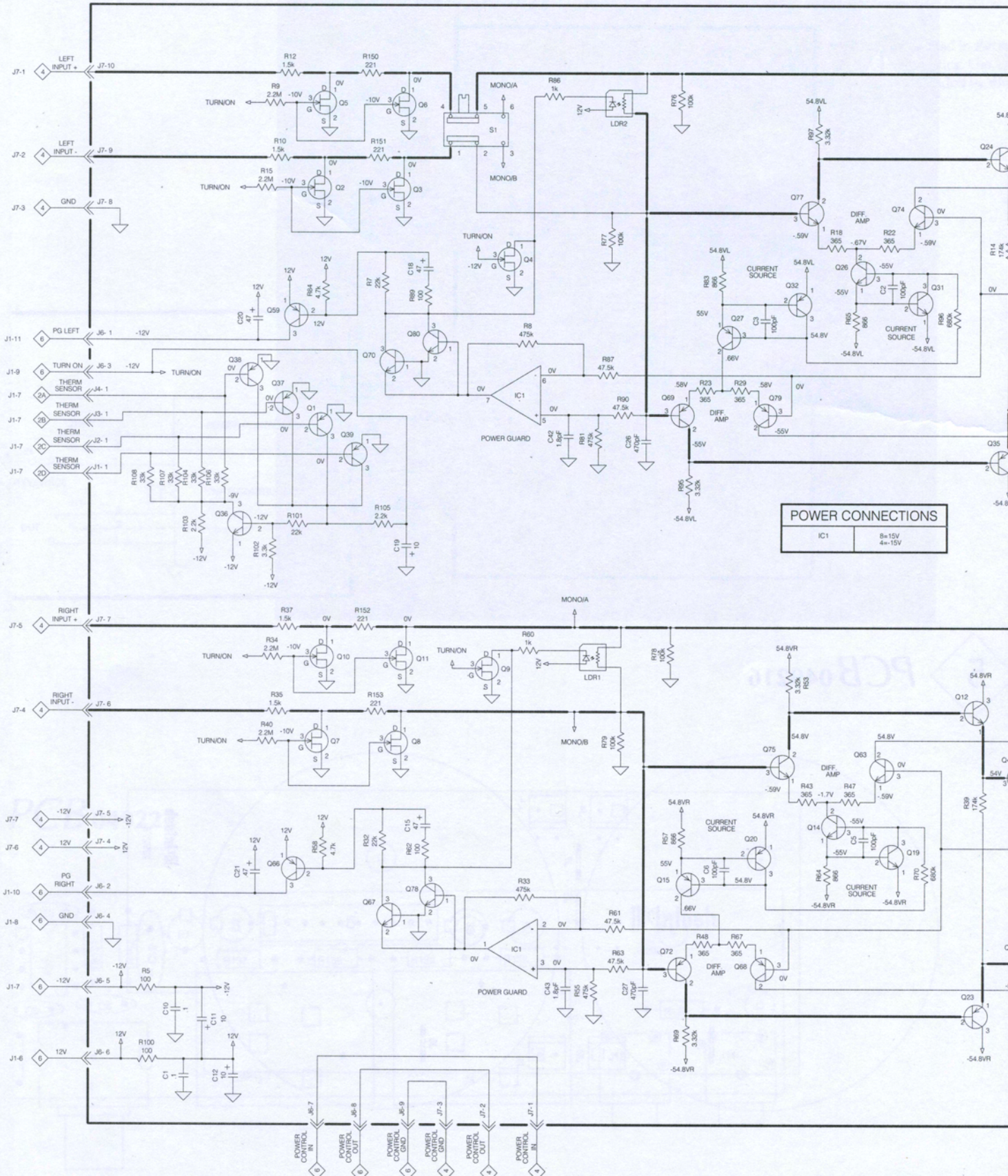


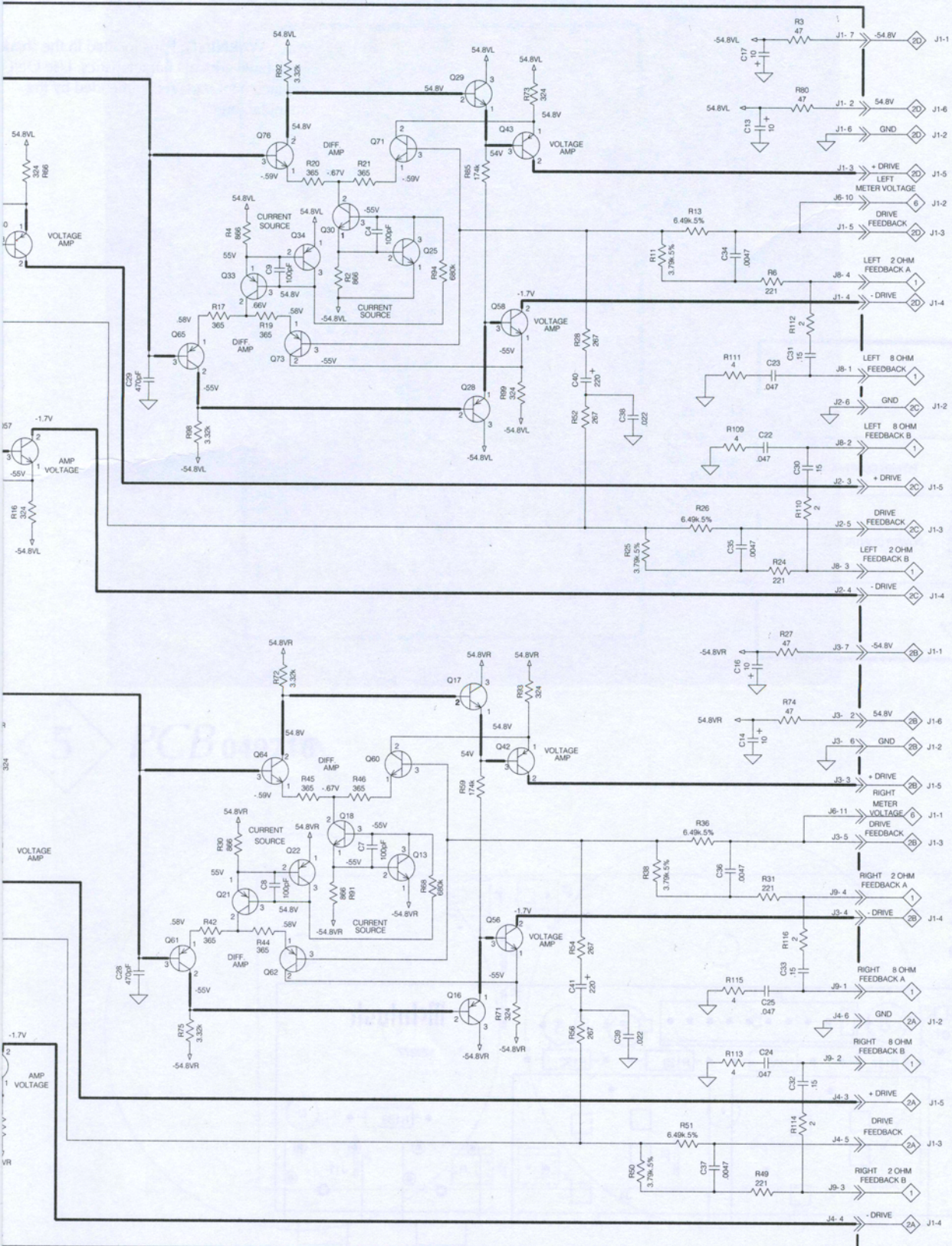
BIAS ADJ: ADJUST R12 FOR 20mV ACROSS J4-1 AND J4-2 WITH NO INPUT SIGNAL AND HEATSINKS COOL.



**WARNING:** Parts located in the shaded area have critical characteristics. Use ONLY replacement parts recommended by the manufacturer.

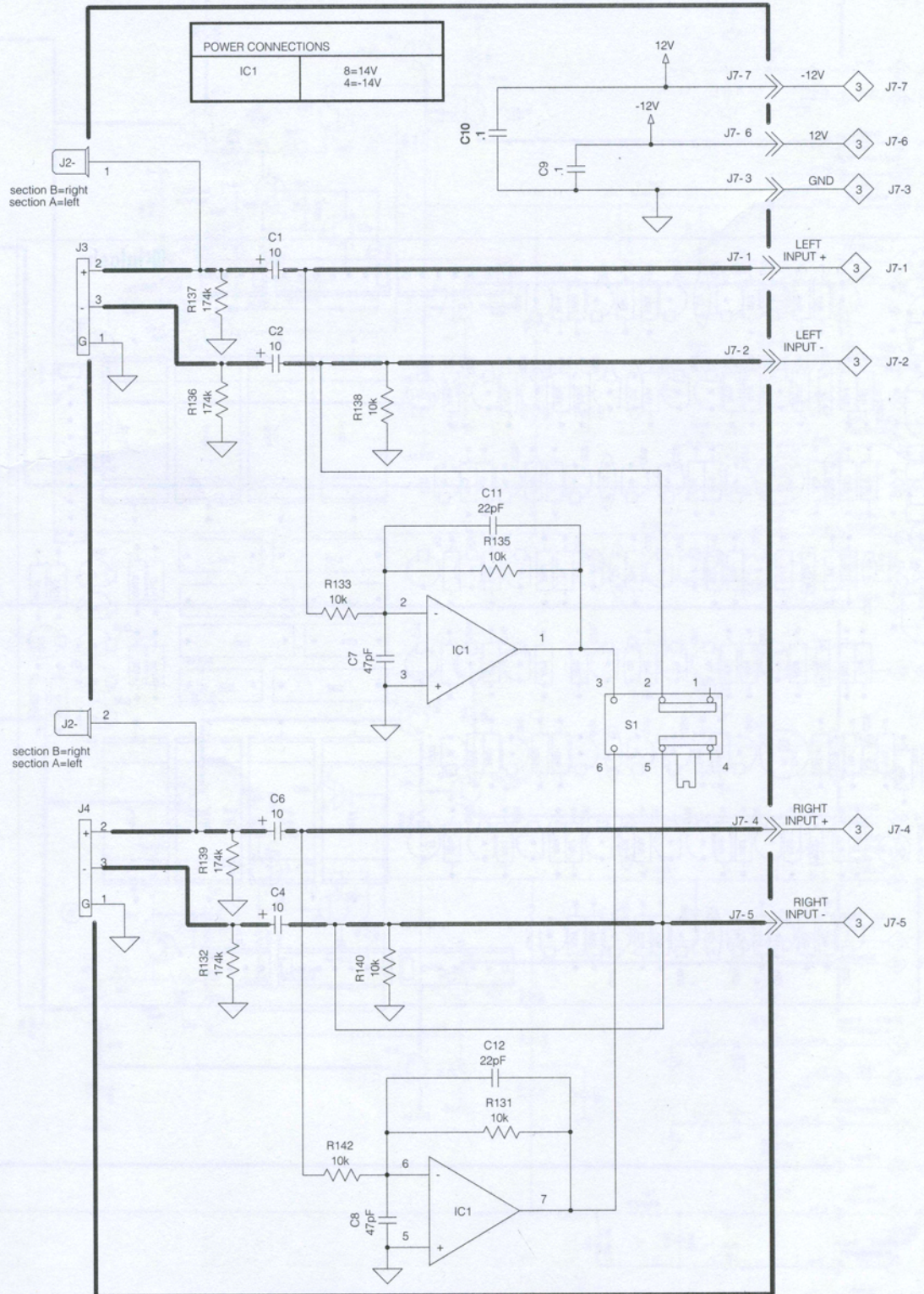
# 3 DRIVER 049219



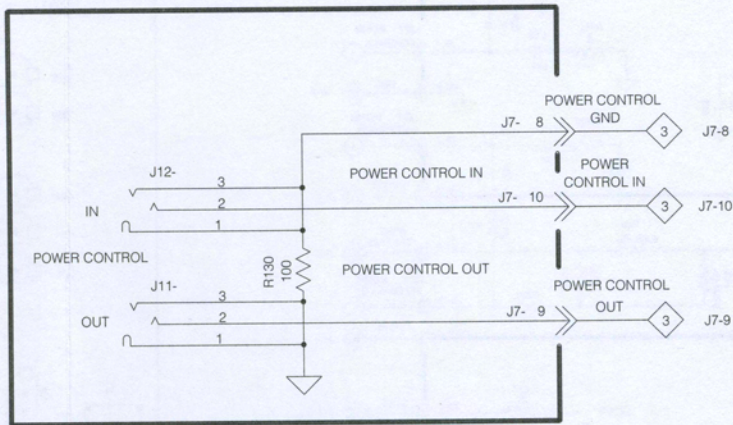




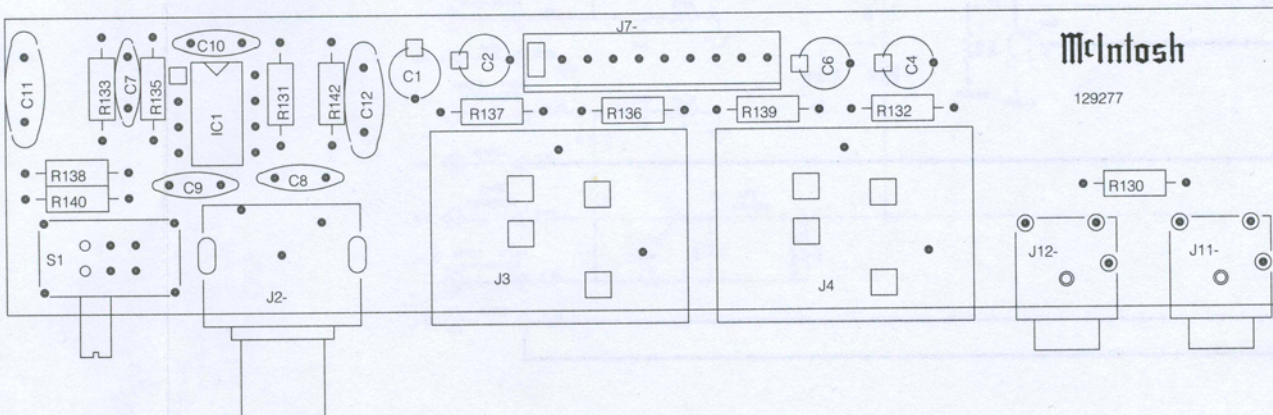
# 4 INPUT 049222



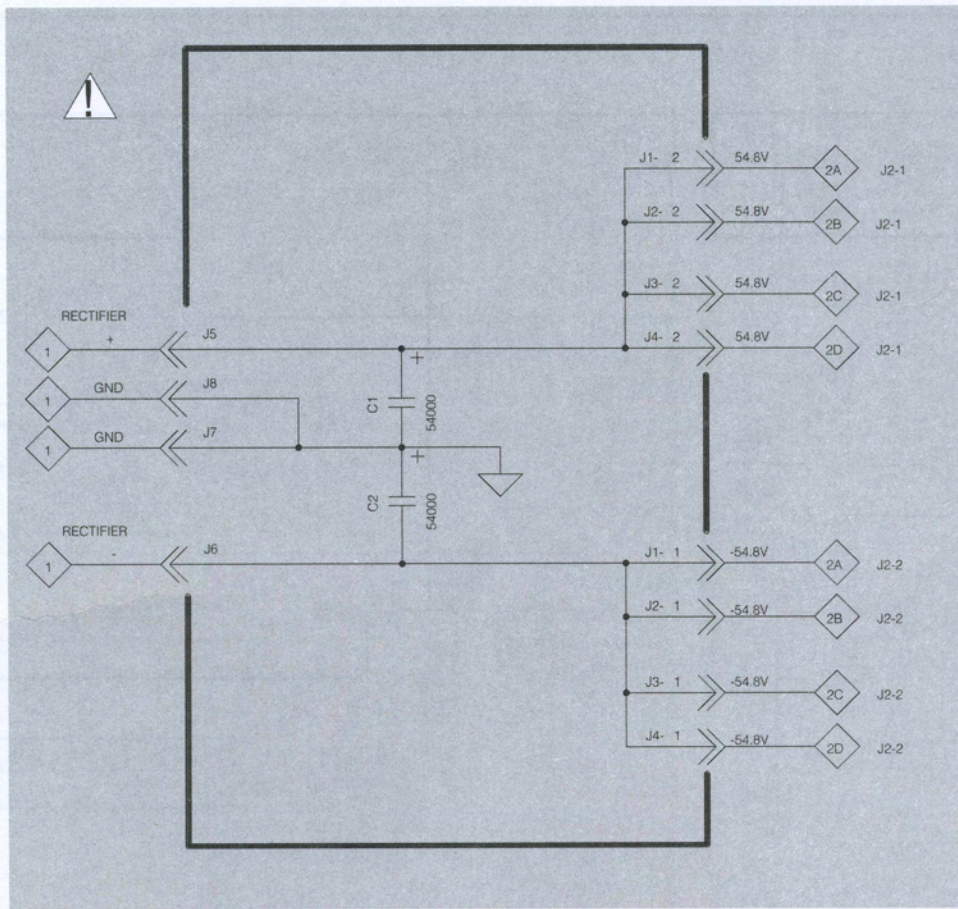
**⚠ WARNING:** Parts located in this area have critical characteristics. Replacement parts recommended by manufacturer.



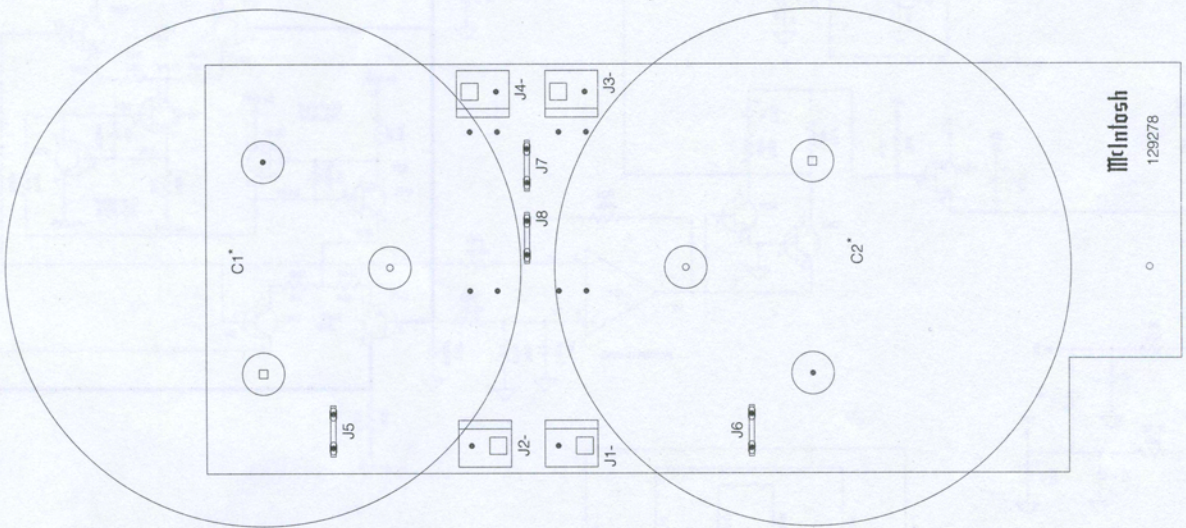
**4** PCB049222



**5** CAPACITOR 049216



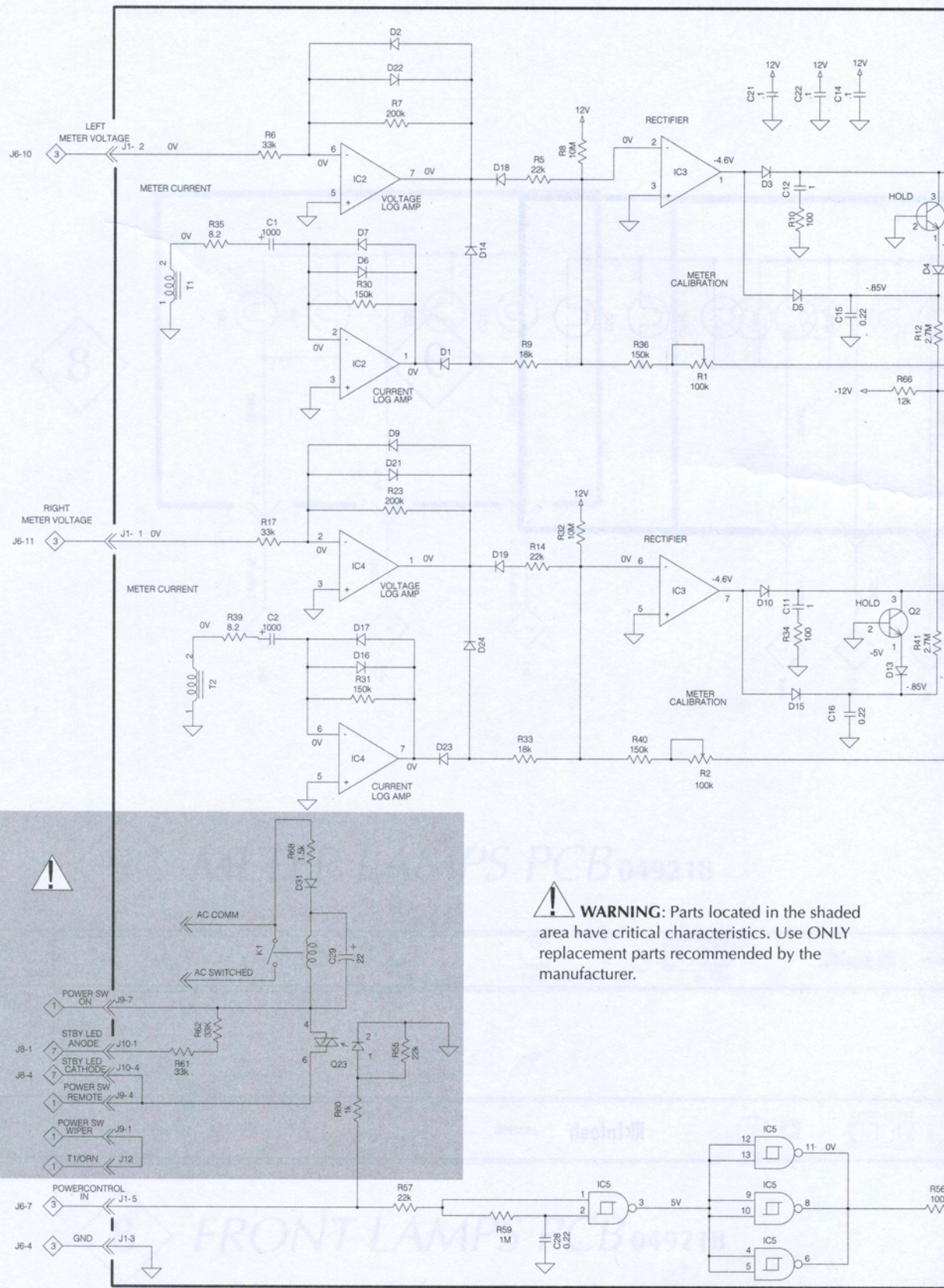
**5** PCB 049216





6

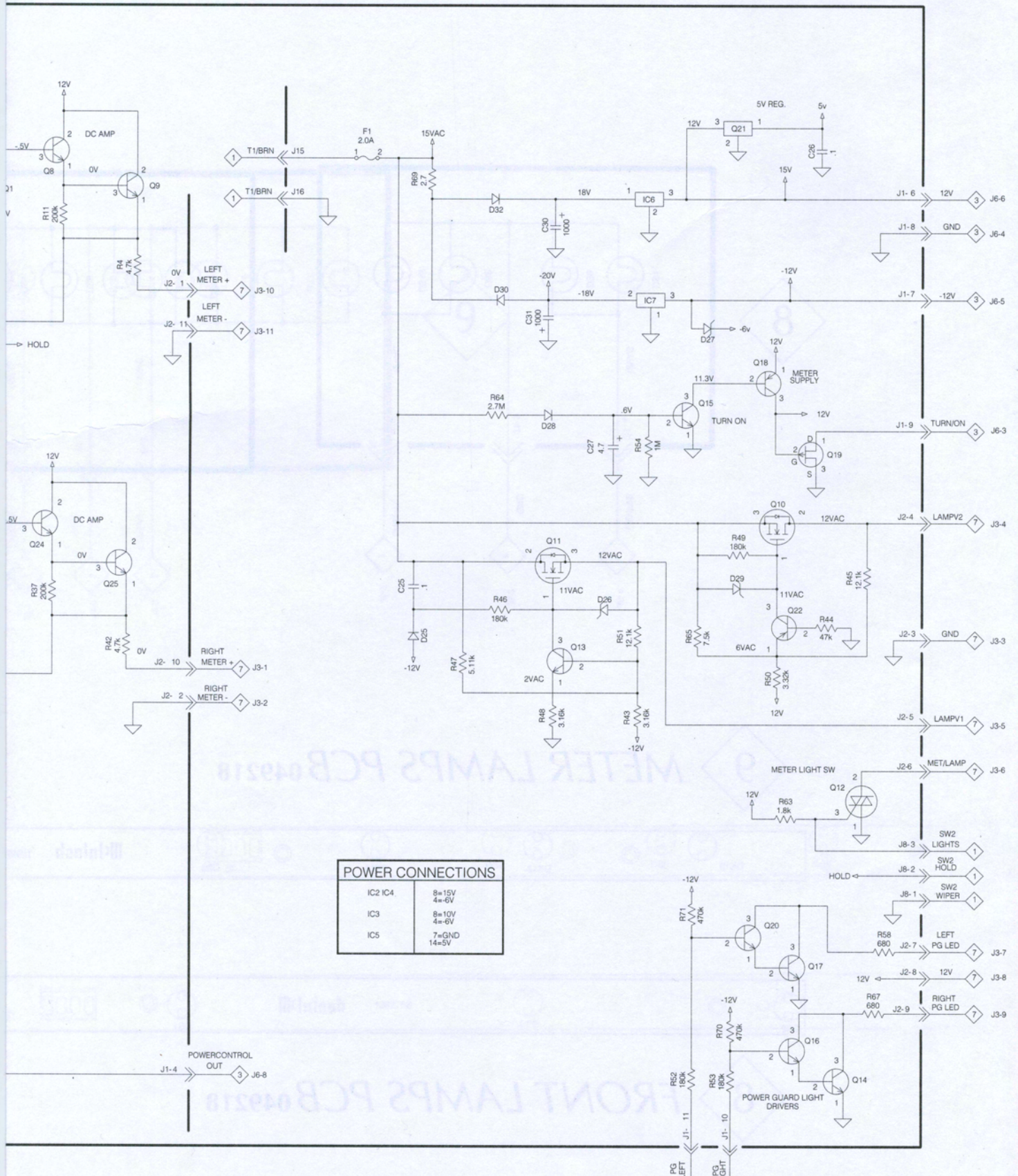
METER 049215



**WARNING:** Parts located in the shaded area have critical characteristics. Use ONLY replacement parts recommended by the manufacturer.

FRONT LAMP

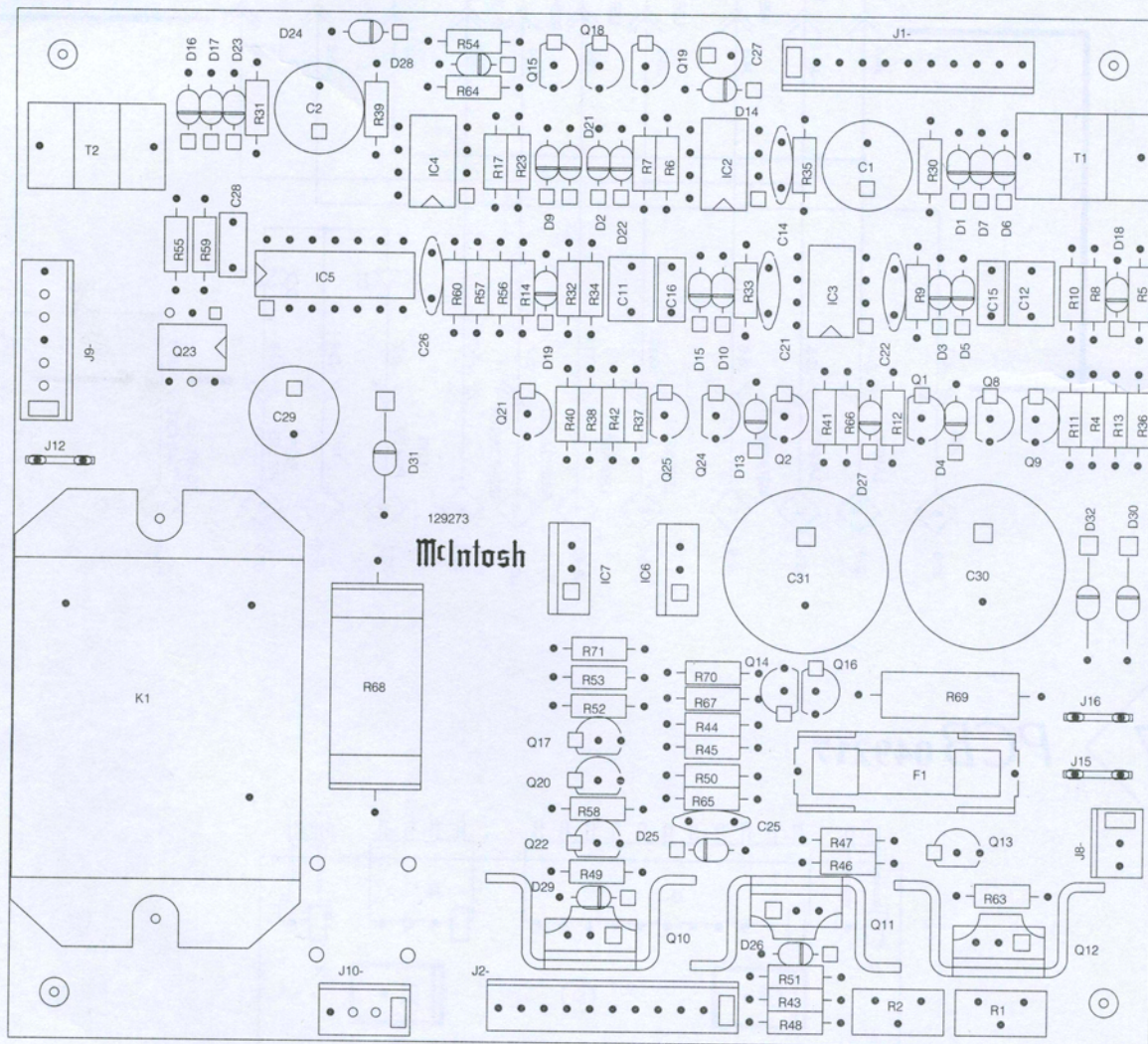
LAMP 8



POWER CONNECTIONS	
IC2 IC4	8=15V 4=-6V
IC3	8=10V 4=-6V
IC5	7=GND 14=5V

6

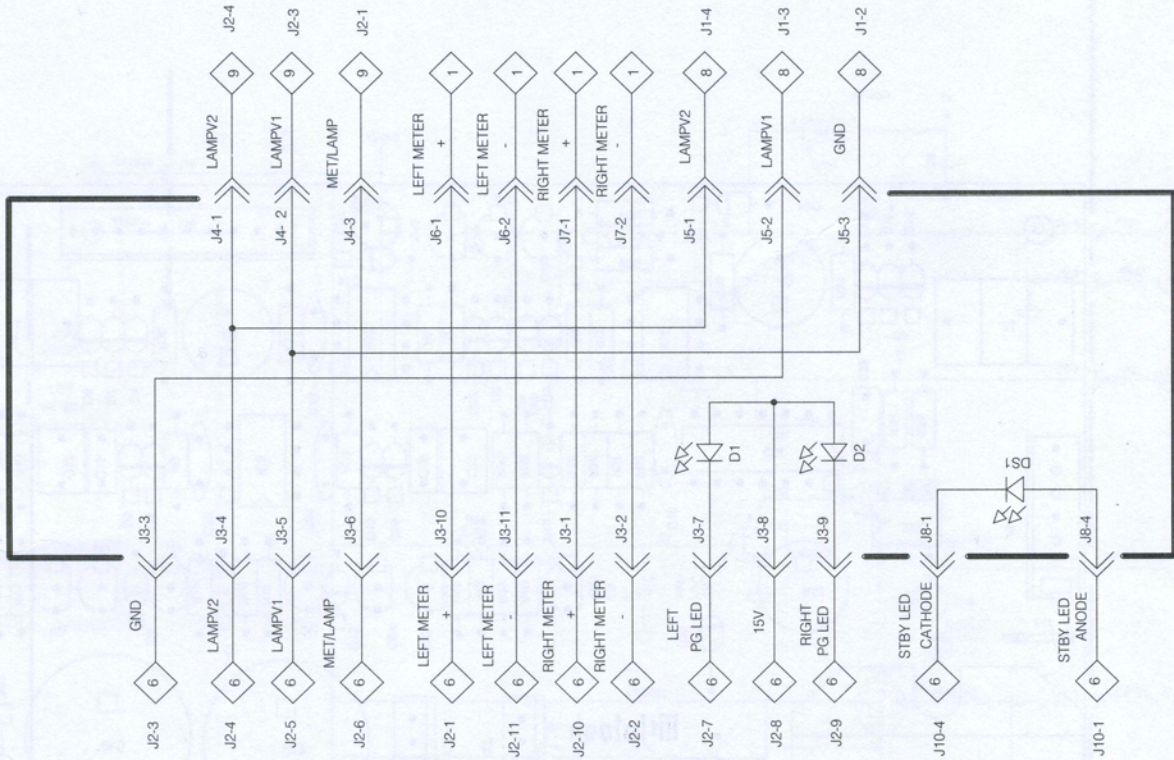
PCB 049215



7

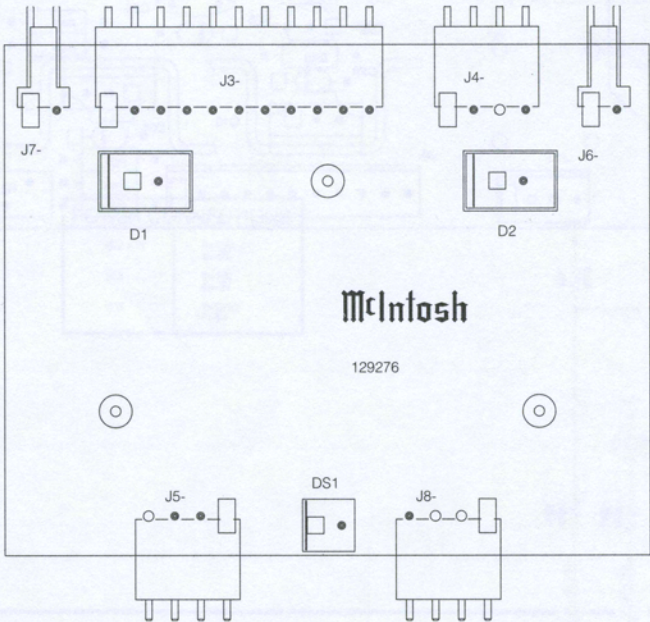
# INDICATOR 049217

PCB 049217



7

# PCB 049217



6

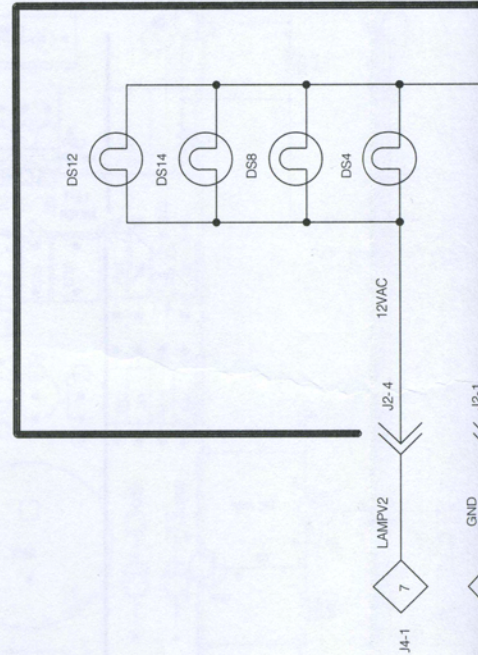
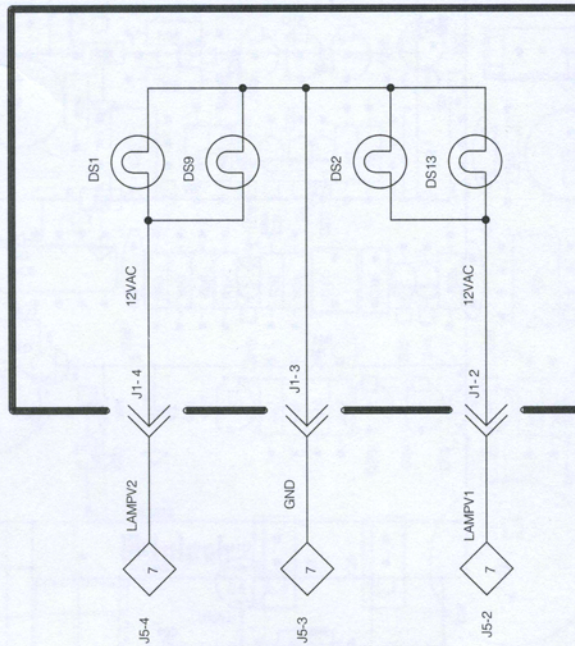
PCB

8

9

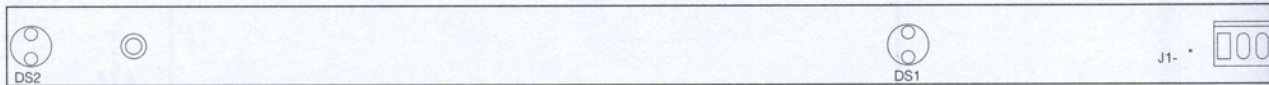
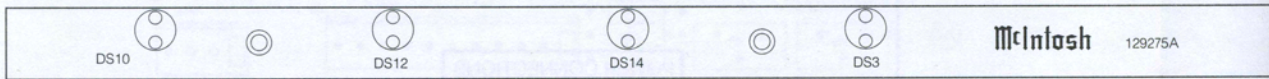
# LAMPS<sub>049218</sub>

8



9

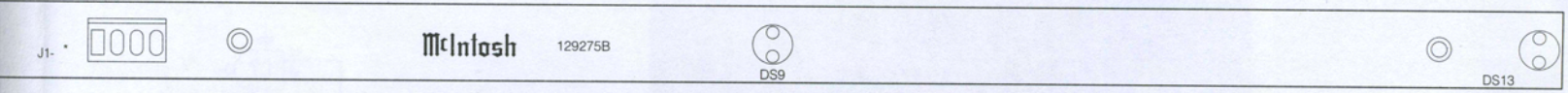
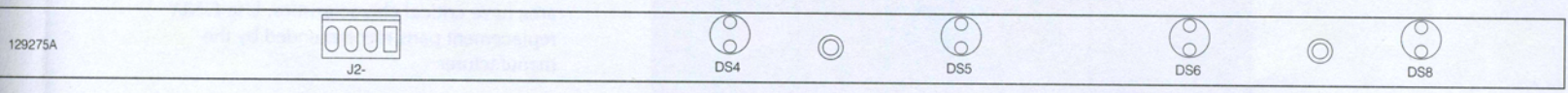
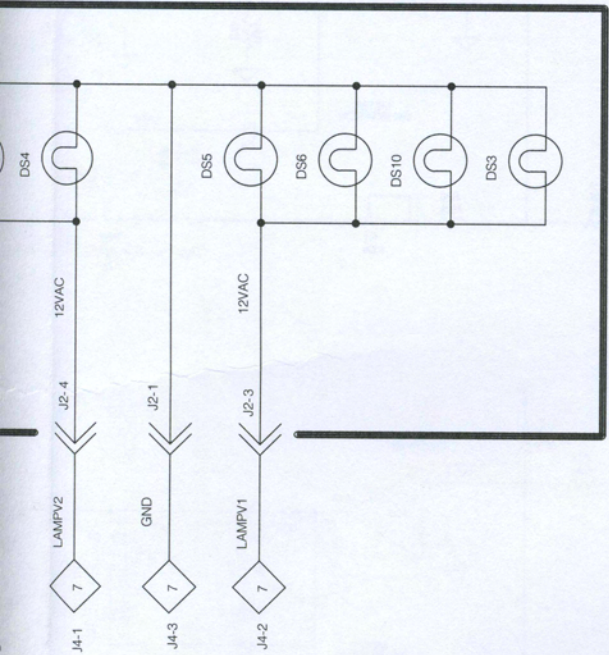
# METER LAMPS PCB<sub>049218</sub>



8

# FRONT LAMPS PCB<sub>049218</sub>

METER PARTS



## PARTS LIST

PART NO.	DESCRIPTION	REFERENCE NO.	PART NO.	DESCRIPTION	REFERENCE NO.
<b>INTERCONNECT</b>					
049223	MC352 POWER TRANSFORMER	T1	064363	POLYPROPY CAP 0.15MF 250V	C30 C31 C32 C
049224	MC352 OUTPUT TRANSFORMER	T2 T3	064364	POLYPROPY CAP.047MF 250V	C22 C23 C24 C
052005	.22uF CAPACITOR	C3	066244	CAP ELECT 0.47UF 50V ALUM	C20 C21
052008	THERMISTER	RT1 RT2	066330	CAP ELECT 220UF 16V SHORT CAN	C40 C41
066480	54000uF 75VDC	C1 C2	066446	ELECT CAP 47MF, 35V AMMO PACK	C15 C18
070139	BRIDGE RECTIFIER	D1	066462	ELECT CAP:10 UF 100VDC AMMO	C11 C12 C13 C
074091	AC TERMINAL BLOCK	TB1	117215	4-PIN CONNECTOR	C16 C17 C19
084124	5 WAY BINDING POST	TB2 TB3 TB4 TB5 TB6 TB7	117217	MALE CONN:7 PIN	J8 J9
089112	12AMP 250V SLO BLO	F1	117219	MALE CONN:10 POS	J1- J2- J3- J4-
146243	POWER/METER SWITCH	S1 S2	117279	11-POS. MALE CONN.	J7-
<b>049214 HEATSINK</b>					
061023	DISC CAP 100PF 10% N1500	C7 C8	132222	TRANSISTOR NPN MPS4124 2K/REEL	J6- Q2 Q3 Q4 Q5 C Q7 Q8 Q9 Q10
061159	CERAMIC CAP .01MF +80-20% 50V	C9 C11	132224	TRANSISTOR PNP SI MPS4126 2K/R	Q12 Q13 Q17 C Q24 Q25 Q29 C Q36 Q67 Q70 C Q80
061248	DISC CAP:.1MF,25V,Y5T	C3 C5	132254	TRANSISTOR:NPN	Q1 Q16 Q20 Q Q23 Q28 Q32 C Q35 Q37 Q38 C Q59 Q66
064363	POLYPROPY CAP 0.15MF 250V	C10	132255	TRANSISTOR:PNP 2SA1016K	Q14 Q18 Q26 C Q60 Q63 Q64 C Q74 Q75 Q76 C Q15 Q21 Q27 C Q61 Q62 Q65 C Q69 Q72 Q73 C
066446	ELECT CAP 47MF, 35V AMMO PACK	C1 C2	132261	TRANSISTOR PNP	Q40 Q41 Q42 C
070047	SILICON DIODE 1N4148 T&R	D1 D2 D3 D4 D5 D6 D7	132262	TRANSISTOR NPN	Q55 Q56 Q57 C
070133	DIODE:200V,6A	J4	133259	DUAL OP AMP 4558	IC1
117213	2-PIN MALE CONNECTOR	J1-	133260	DUAL OPERATIONAL AMPLIFIER	IC1
117217	MALE CONN:7 PIN	J2-	137042	FLAMEPROOF RES 47 OHM 5% 1/4W	R3 R27 R74 R80
117404	HEADER 2-PIN 0.156	J4	139005	WIRE RES:2 OHMS 10% 5W	R110 R112 R114 R116
117708	FASTON BLADE W/FEET	J5	139119	WIRE RES:4 OHMS 5% 5W	R109 R111 R113 R115
117712	FASTON BLADE .110	Q1	141025	RES CF 100 5% 1/4W	R5 R62 R89 R100
132171	TRANSISTOR:NPN MPSA05	Q2	141049	RES CF 1.0K 5% 1/4W	R60 R86
132172	TRANSISTOR:SI PNP MPSA55	Q7	141057	RES CF 2.2K 5% 1/4W	R103 R105
132261	TRANSISTOR PNP	Q6	141060	RES CF 3.3K 5% 1/4W	R102
132262	TRANSISTOR NPN	R13	141064	RES CF 4.7K 5% 1/4W	R58 R84
134390	TRIM POT 200 OHM 20% HORIZ AD	R12	141080	RES CF 22K 5% 1/4W	R7 R32 R101
137042	FLAMEPROOF RES 47 OHM 5% 1/4W	R7	141084	RES CF 33K 5% 1/4W	R104 R106 R107 R108
137065	FLAMEPROOF RES 430 OHM 5% 1/4W	R2 R9	141116	RES CF 680K 5% 1/4W	R68 R70 R94 R96
137070	FLAMEPROOF RES 680 OHM 5% 1/4W	R11	141124	RES CF 2.2M 5% 1/4W	R9 R15 R34 R40
137078	FLAMEPROOF 1500 OHMS 5 % 1/4W	R6	144028	RES MF 866 1% 1/4W	R2 R4 R30 R57 R R65 R83 R91
137080	FAMEPROOF RES 1.8K 5% 1/4W	R31 R32 R33 R34 R35 R36 R37 R38	144071	RES MF 365 1% 1/4W	R17 R18 R19 R20 R21 R22 R23 R29 R42 R43 R44 R45 R46 R47 R48 R67 R53 R69 R72 R75 R92 R95 R97 R98 R61 R63 R87 R96
139177	WIREWOUND RES 0.5 OHM 5W 5%	R30	144095	RES MF 3.32K 1% 1/4W	
141009	RES CF 2.2 5% 1/4W	R1 R8	144108	RES MF 47 5K 1% 1/4W	
141033	RES CF 220 5% 1/4W	R3 R10			
141076	RES CF 15K 5% 1/4W	RT1			
144249	THERMAL SENSOR	R2 R9			
137093	MET OX 680 5% .5W	R6 R11			
137094	MET OX 1.8K 5% .5W	R7			
137095	MET OX 430 5% .5W	R12			
137096	MET OX 47 5% .5W				
<b>049219 DRIVER</b>					
061002	DISC CAP:1.8PF+/- .25PF NPO	C42 C43			
061199	DISC CAP 100PF 10% N1500 50V	C2 C3 C4 C5 C6 C7 C8 C9			
061248	DISC CAP:.1MF,25V,Y5T	C1 C10			
061256	M.CAP:470PF,5%,100V	C26 C27 C28 C29			
064308	CAP MPOLY .0047UF 5% 63-250VDC	C34 C35 C36 C37			
064316	CAP M POLY .022UF 5% 100VDC	C38 C39			

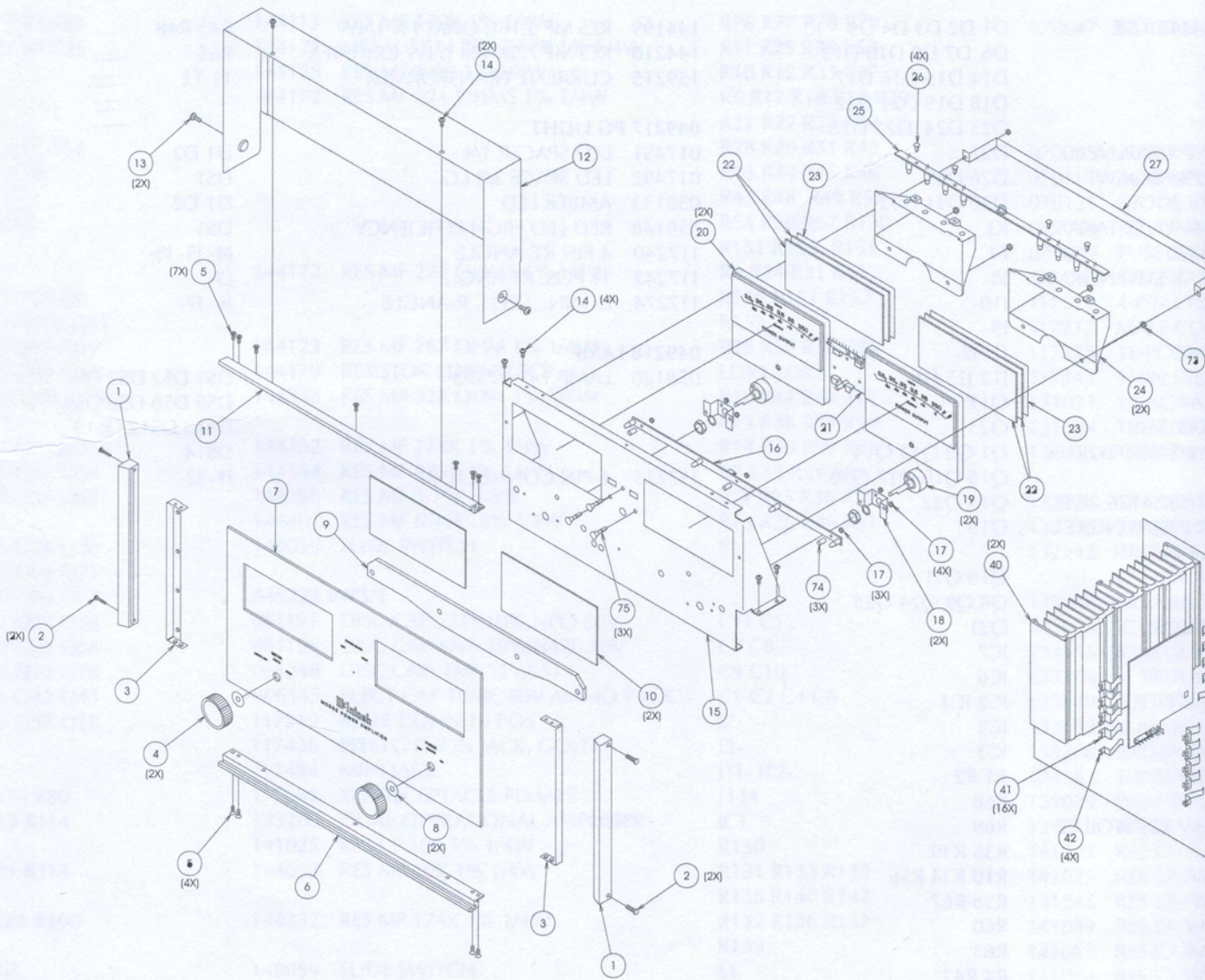
PART NO.	DESCRIPTION	REFERENCE NO.	PART NO.	DESCRIPTION
144113	RES MF 100K 1% 1/4W	R76 R77 R78 R79	070047	SILICON DIODE 1N4148 T&R
144121	METAL FILM RES:2.67K 1% 1/4W	R11 R25 R38 R50	070085	ZENER DIODE 6.2V 5% 500MW
144128	RES MF 1.5K 1% 1/4W	R10 R12 R35 R37	070114	ZENER DIODE 16V 5% 500MW
144172	RES MF 221 OHMS 1% 1/4W	R6 R17 R18 R19 R20	070131	DIODE RECTIFIER
		R21 R22 R23 R24	087049	RELAY 48VDC VFB48HU ITT TAKAMI
		R28 R29 R31 R42	089089	FUSE 2A SLO-BLO 5X20
		R43 R44 R45 R46	117214	MALE CONN 3-POS MTS100 NORMAL
		R47 R48 R49 R52	117215	4-PIN CONNECTOR
		R54 R56 R67 R150	117217	MALE CONN:7 PIN
144172	RES MF 221 OHMS 1% 1/4W	R151 R152 R153	117279	11-POS. MALE CONN.
		R6 R24 R31 R49	117342	1/4IN FASTON BLADE
		R150 R151 R152	131021	TRIAC 8A 200V
		R153	131024	TRIAC OPTOCOUPLER
144173	RES MF 267 OHM 1% 1/4W	R28 R52 R54 R56	132223	TRANSISTOR NPN MPS4124 2K/REEL
144179	RESISTOR LDR VTL5C9	LDR1 LDR2		
144338	RES MF 324 OHM 1% 1/4W	R16 R41 R66 R71	132224	TRANSISTOR PNP SI MPS4126 2K/R
		R73 R88 R93 R99	132226	TRANSISTOR:P.CHANNEL JUNC.FET
144352	RES MF 174K 1% 1/4W	R14 R39 R59 R85	132242	TRANSISTOR:POWER N-CHN ENHANCE
144364	RES MF 475K 1% 1/4W	R8 R33 R55 R81	132254	TRANSISTOR:NPN
144398	RES MF 3.79K 0.5%	R11 R25 R38 R50	133093	IC REGULATOR +5 VOLT
144401	RES MF 6.49K .5% 1/4W	R13 R26 R36 R51	133155	IC REGULATOR -12V
148059	SLIDE SWITCH	S1	133156	IC REGULATOR 12V
			133189	IC OPERATIONAL AMPLIFIER
<b>049222 INPUT</b>			133192	IC NAND SCHMIT 2-IN X 4
061191	DISC CAP:22PF,10%,NPO 50V	C11 C12	133260	DUAL OPERATIONAL AMPLIFIER
061196	DISC CAP:47PF,20%,N470 50V	C7 C8	134383	TRIM POT 100K OHM 20%
061248	DISC CAP:1MF,25V,Y5T	C9 C10	139079	WIRE RES:1.5K 10% 5W
066445	ELECT CAP 10MF, 50V AMMO PACK	C1 C2 C4 C6	139218	2.7 OHM 2W 5% WW RESISTOR FP
117219	MALE CONN:10 POS	J7-	141023	RES CF 8.2 5% 1/4W
117436	PJ261G PHON JACK, GOLD	J2-	141025	RES CF 100 5% 1/4W
117494	MINI JACK	J11- J12-	141045	RES CF 680 5% 1/4W
117685	XLR RECEPTACLE FEMALE	J3 J4	141049	RES CF 1.0K 5% 1/4W
133260	DUAL OPERATIONAL AMPLIFIER	IC1	141055	RES CF 1.8K 5% 1/4W
141025	RES CF 100 5% 1/4W	R130	141064	RES CF 4.7K 5% 1/4W
144053	RES MF 10K 1% 1/4W	R131 R133 R135	141074	RES CF 12K 5% 1/4W
		R138 R140 R142	141078	RES CF 18K 5% 1/4W
144352	RES MF 174K 1% 1/4W	R132 R136 R137	141080	RES CF 22K 5% 1/4W
		R139	141084	RES CF 33K 5% 1/4W
148059	SLIDE SWITCH	S1	141088	RES CF 47K 5% 1/4W
			141100	RES CF 150K 5% 1/4W
<b>049216 CAPACITOR</b>			141102	RES CF 180K 5% 1/4W
117404	HEADER 2-PIN 0.156	J1- J2- J3- J4-	141103	RES CF 200K 5% 1/4W
117708	FASTON BLADE W/FEET	J5 J6 J7 J8	141112	RES CF 470K 5% 1/4W
			141120	RES CF 1.0M 5% 1/4W
<b>049215 METER</b>			141125	RES CF 2.7M 5% 1/4W
061248	DISC CAP:1MF,25V,Y5T	C14 C21 C22 C25	141132	RES CF 10M 5% 1/4W
		C26	144083	RES MF 5.11K 1% 1/4W
064329	CAP M POLY .22UF 5% 63VDC	C15 C16 C28	144095	RES MF 3.32K 1% 1/4W
064337	POLY CAP 1MF 5% 50V	C11 C12	144154	RES MF 12.1K 1% 1/4W
066289	CAP ELECT 4.7UF 10% 25V	C27		
066309	CAP ELECT 1000UF 10V	C1 C2		
066361	CAP ELECT 1000UF 20% 35V	C30 C31		
066390	CAP ELECT 22UF 100V	C29		



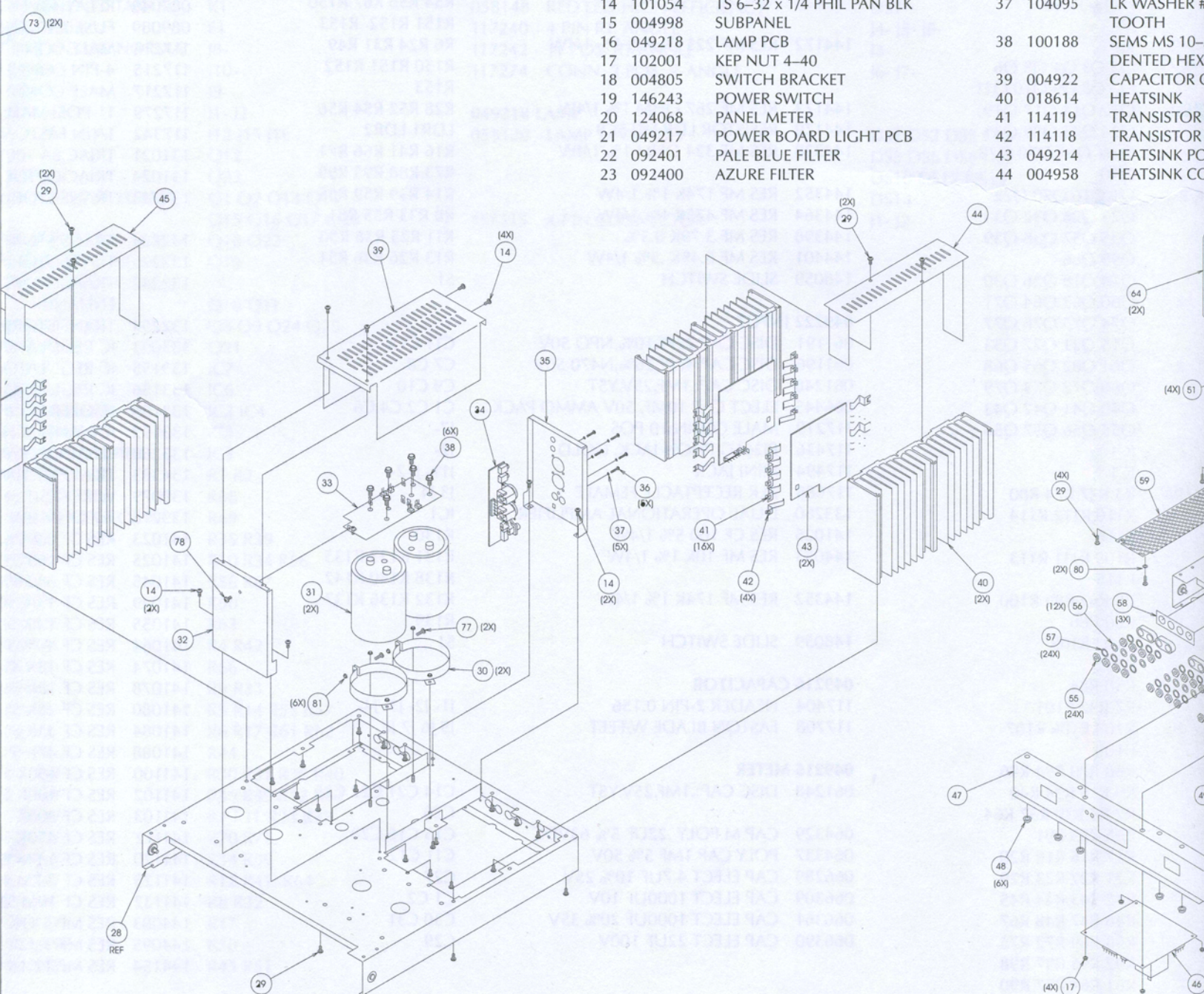
PT NO.	DESCRIPTION	REFERENCE NO.	PART NO.	DESCRIPTION	REFERENCE NO.
047	SILICON DIODE 1N4148 T&R	D1 D2 D3 D4 D5 D6 D7 D9 D10 D13 D14 D15 D16 D17 D18 D19 D21 D22 D23 D24 D25 D28 D27	144199 RES MF 3.16K OHM 1% 1/4W 144210 RES MF 7.5K 1% 1/4W CRB1/4FX 159215 CURRENT TRANSFORMER	R43 R48 R65 T1 T2	
085	ZENER DIODE 6.2V 5% 500MW	D26 D29	<b>049217 PG LIGHT</b> 017451 LED SPACER 1/4	D1 D2	
14	ZENER DIODE 16V 5% 500MW	D30 D31 D32	017492 LED SPACE 3/8 LG	DS1	
31	DIODE RECTIFIER	K1	058133 AMBER LED	D1 D2	
049	RELAY 48VDC VFB48HU ITT TAKAMI	F1	058148 RED LED HIGH EFFICIENCY	DS1	
089	FUSE 2A SLO-BLO 5X20	J8-	117240 4 PIN RT. ANGLE	J4- J5- J8-	
14	MALE CONN 3-POS MTS100 NORMAL	J10-	117242 11 POS. RT ANGLE	J3-	
15	4-PIN CONNECTOR	J9-	117274 CONN. 2 POS. R-ANGLE	J6- J7-	
17	MALE CONN:7 PIN	J1- J2-	<b>049218 LAMP</b>		
79	11-POS. MALE CONN.	J12 J15 J16	058120 LAMP 14V #7373	DS1 DS2 DS3 DS4 DS5 DS6 DS8 DS9 DS10 DS12 DS13 DS14 J1- J2-	
42	1/4IN FASTON BLADE	Q12	117215 4-PIN CONNECTOR		
021	TRIAC 8A 200V	Q23			
024	TRIAC OPTOCOUPLER	Q1 Q2 Q13 Q14 Q15 Q16 Q17 Q20 Q18 Q22 Q19			
023	TRANSISTOR NPN MPS4124 2K/REEL	Q10 Q11			
024	TRANSISTOR PNP SI MPS4126 2K/R	Q8 Q9 Q24 Q25			
026	TRANSISTOR:P.CHANNEL JUNC.FET	Q21			
042	TRANSISTOR:POWER N-CHN ENHANCE	IC7			
054	TRANSISTOR:NPN	IC6			
093	IC REGULATOR +5 VOLT	IC2 IC4			
55	IC REGULATOR -12V	IC5			
56	IC REGULATOR 12V	IC3			
89	IC OPERATIONAL AMPLIFIER	R1 R2			
92	IC NAND SCHMIT 2-IN X 4	R68			
060	DUAL OPERATIONAL AMPLIFIER	R69			
083	TRIM POT 100K OHM 20%	R35 R39			
079	WIRE RES:1.5K 10% 5W	R10 R34 R56			
018	2.7 OHM 2W 5% WW RESISTOR FP	R58 R67			
023	RES CF 8.2 5% 1/4W	R60			
025	RES CF 100 5% 1/4W	R63			
045	RES CF 680 5% 1/4W	R4 R42			
049	RES CF 1.0K 5% 1/4W	R66			
055	RES CF 1.8K 5% 1/4W	R9 R33			
064	RES CF 4.7K 5% 1/4W	R5 R14 R55 R57			
074	RES CF 12K 5% 1/4W	R6 R17 R61 R62			
078	RES CF 18K 5% 1/4W	R44			
080	RES CF 22K 5% 1/4W	R30 R31 R36 R40			
084	RES CF 33K 5% 1/4W	R46 R49 R52 R53			
088	RES CF 47K 5% 1/4W	R7 R11 R23 R37			
00	RES CF 150K 5% 1/4W	R70 R71			
02	RES CF 180K 5% 1/4W	R54 R59			
03	RES CF 200K 5% 1/4W	R12 R41 R64			
12	RES CF 470K 5% 1/4W	R8 R32			
20	RES CF 1.0M 5% 1/4W	R47			
25	RES CF 2.7M 5% 1/4W	R50			
32	RES CF 10M 5% 1/4W	R45 R51			
083	RES MF 5.11K 1% 1/4W				
095	RES MF 3.32K 1% 1/4W				
54	RES MF 12.1K 1% 1/4W				

# EXPLODED VIEW

- REFE
- 250V
  - 50V
  - UM
  - PORT CAN
  - MO PACK
  - C AMMO
  
  - C30 C
  - C22 C
  - C20 C
  - C40 C
  - C15 C
  - C11 C
  - C16 C
  - J8 J9
  - J1- J2-
  - J7-
  - J6-
  - Q2 Q
  - Q7 Q
  - Q12 C
  - Q24 C
  - Q36
  - Q80
  - Q1 Q
  - Q23 C
  - Q35 C
  - Q59 C
  - Q14 C
  - Q60 C
  - Q74 C
  - Q15 C
  - Q61 C
  - Q69 C
  - Q40 C
  - Q55 C
  - IC1
  - IC1
  - R3 R2
  - R110
  - R116
  - R109
  - R115
  - R5 R6
  - R60 F
  - R103
  - R102
  - R58 F
  - R7 R3
  - R104
  - R108
  - R68 F
  - R9 R1
  - R2 R4
  - R65 F
  - R17 F
  - R21 F
  - R42 F
  - R46 F
  - R53 F
  - R92 F
  - R61 F

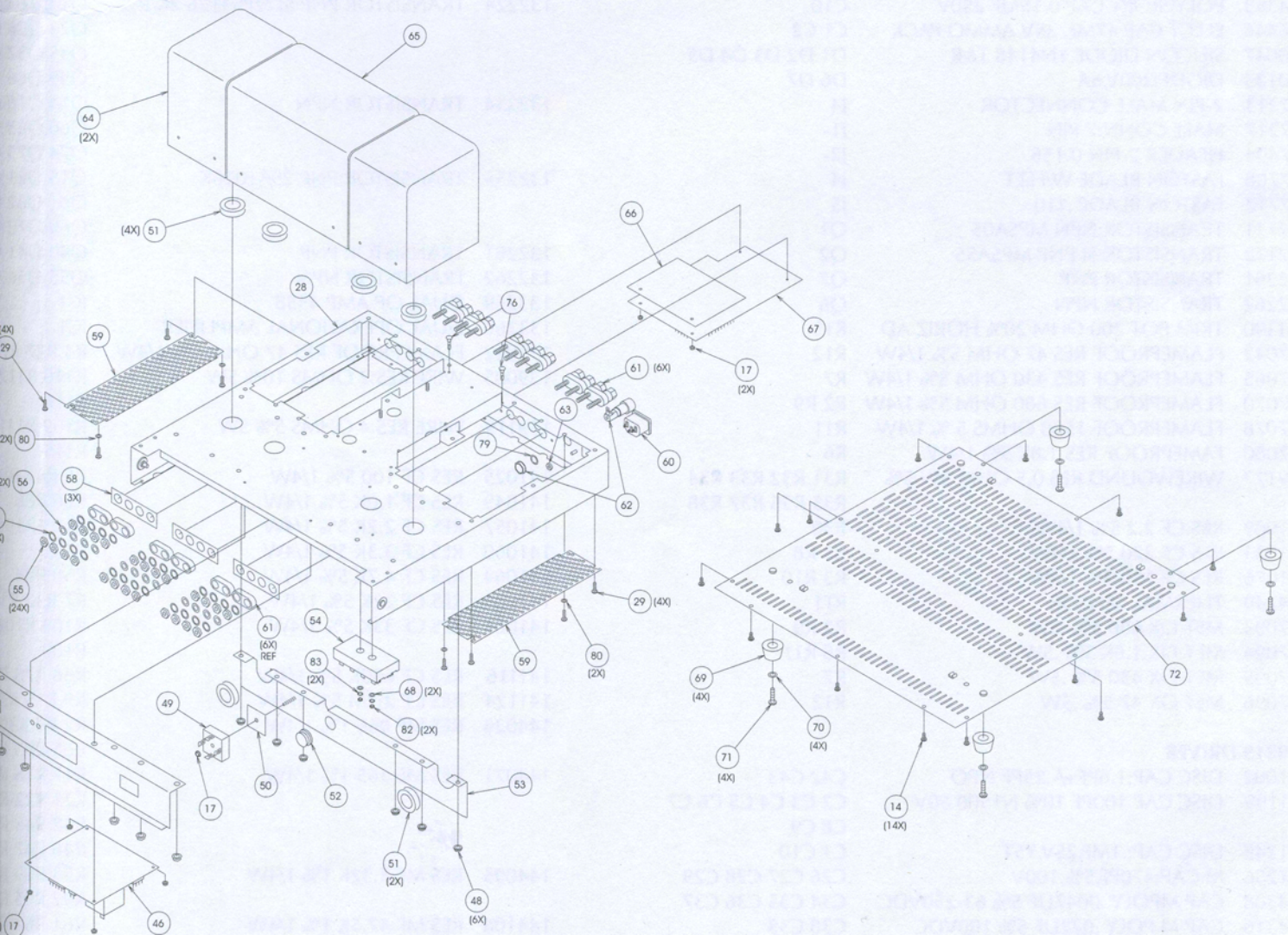


Ref. No.	Part No.	Description	Ref. No.	Part No.	Description
1	018615	END CAP	24	017749	LIGHT BOX
2	101042	TS 4-40 x 1/2 FIL TYPE 1	25	049215	METER PCB
3	004939	EXTRUSION BRACKET	26	114072	PLASTIC RIVER
4	090266	KNOB	27	004997	METER SUPP
5	101172	TS 6-32 x 1/4 FH U/C PHIL BLK	28	004931	CHASSIS
6	018588	BOTTOM EXTRUSION	29	101176	TCS 6-32 x 1/4
7	016400	GLASS	30	003855	CAPACITOR C
8	104017	FELT WASHER	31	066480	CAPACITOR
9	017757	PLEXIGLAS	32	004919	SUBREAR
10	092418	BLUE FILTER	33	049216	CAPACITOR R
11	018619	TOP EXTRUSION	34	049222	INPUT PCB
12	004923	DUST COVER	35	004925	REAR PANEL
13	101078	TS 8-32 x 5/16 PHIL PAN BLK	36	101114	SM 4 x 1/2 PH
14	101054	TS 6-32 x 1/4 PHIL PAN BLK	37	104095	LK WASHER #
15	004998	SUBPANEL			TOOTH
16	049218	LAMP PCB	38	100188	SEMS MS 10-
17	102001	KEP NUT 4-40			DENTED HEX
18	004805	SWITCH BRACKET	39	004922	CAPACITOR C
19	146243	POWER SWITCH	40	018614	HEATSINK
20	124068	PANEL METER	41	114119	TRANSISTOR
21	049217	POWER BOARD LIGHT PCB	42	114118	TRANSISTOR
22	092401	PALE BLUE FILTER	43	049214	HEATSINK PC
23	092400	AZURE FILTER	44	004958	HEATSINK CO



# EXPLODED VIEW PARTS LIST

Ref. Part No.	Description	Ref. Part No.	Description	Ref. Part No.	Description
749	LIGHT BOX	45	004928 HEATSINK COVER LEFT	67	049219 DRIVER PCB
215	METER PCB	46	049217 POWER GUARD LIGHT PCB ASSY	68	104001 FLAT STEEL WASHER #4 x 9/32 x .025
072	PLASTIC RIVET	47	004995 FRONT SUPPORT BRACKET	69	017218 PLASTIC FOOT
997	METER SUPPORT BRACKET	48	102006 MN 10-32 W/LOCK	70	104080 FLAT WASHER
931	CHASSIS	49	070139 BRIDGE RECTIFIER	71	100159 MS 10-32 x 3/4 PHIL PAN BLK
176	TCS 6-32 x 1/2 PHIL PAN BLK	50	084135 THERMAL PAD	72	004924 BOTTOM COVER
855	CAPACITOR CLAMP	51	078025 GROMMET	73	102003 KEP NUT 6-32
480	CAPACITOR	52	078034 GROMMET	74	112038 STEEL SPACER #4 x 3/8
919	SUBREAR	53	004930 CHASSIS SUPPORT BRACKET	75	112092 REVERSE LOCKING PCB SUPPORT
216	CAPACITOR PCB	54	074091 TERMINAL BLOCK	76	017760 CUPPED CIRCUIT BD SUPPORT
222	INPUT PCB	55	110009 NUT M5 x 0.8 BRASS W/GOLD PLATE	77	100118 MS 6-32 x 1/2 PHIL PAN
925	REAR PANEL			78	100250 SEMS MS 6-32 x 1/4 PHIL PAN
114	SM 4 x 1/2 PHIL PAN	56	104148 FLAT WASHER BRASS	79	104016 LK WASHER 1/2 x .630 x .022
095	LK WASHER #4 INTERNAL TOOTH	57	104130 LW #10 SPLIT PHOS/BRONZE	80	104004 LK WASHER 5 x .255 INT STAR
188	SEMS MS 10-32 x 3/8 IN DENTED HEX HD	58	004800 OUTPUT PLATE	81	102045 6-32 NUT SPECIAL
922	CAPACITOR COVER	59	004954 HEATSINK VENT	82	102022 MN 4-40 3/16 x 1/16
514	HEATSINK	60	117487 AC RECEPTACLE	83	104007 LK WASHER 6 x .288 INT STAR
119	TRANSISTOR CLIP 214	61	084124 DUAL BINDING POST		
118	TRANSISTOR CLIP 218	62	178122 FUSE HOLDER		
214	HEATSINK PCB	63	102020 MN 6-32 SELF LOCK		
958	HEATSINK COVER RIGHT	64	049224 OUTPUT TRANSFORMER		
		65	049225 POWER TRANSFORMER PCB SHEILD		



# REPACKING INSTRUCTIONS.

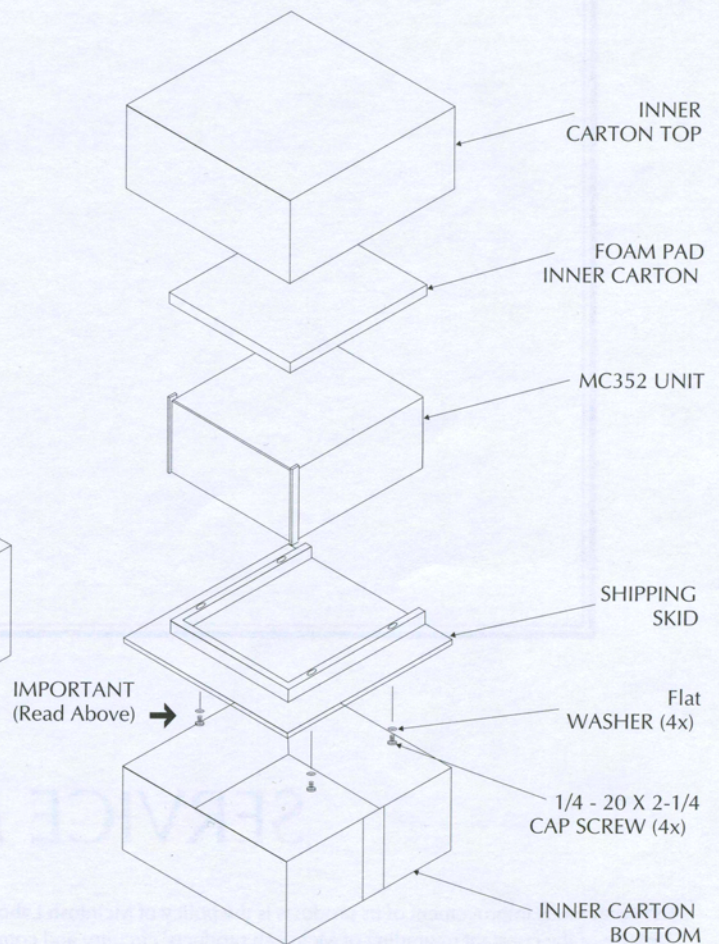
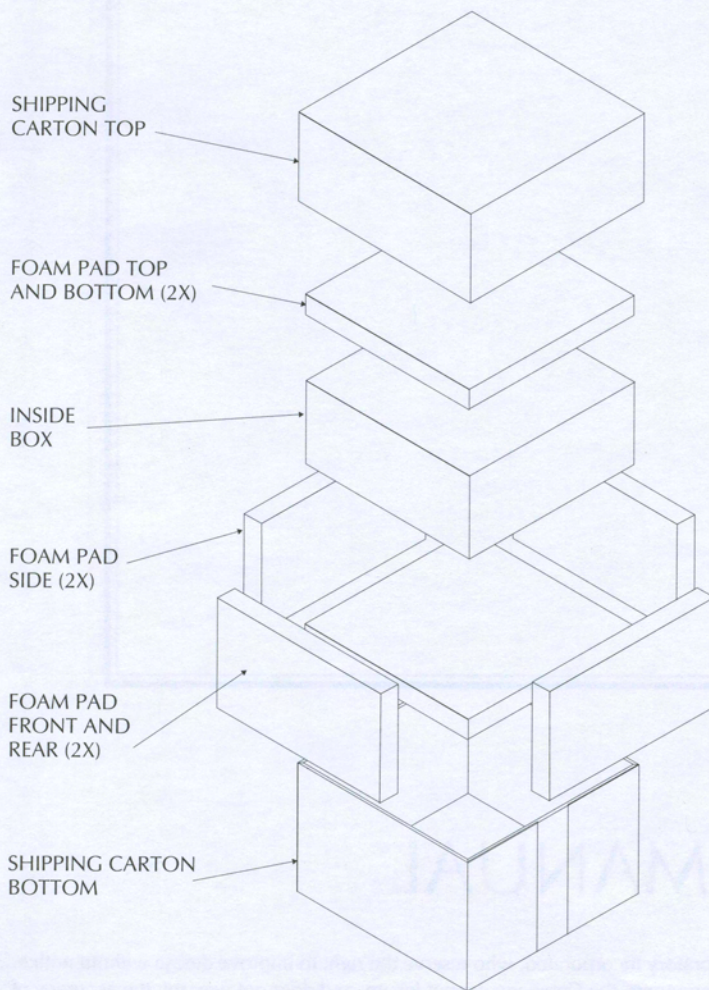
In the event it is necessary to repack the unit for shipment, the unit must be packed exactly as shown below.

**IMPORTANT - For ease of shipment, attach the four feet to the bottom of the unit. Four, 1/4 - 20 x 2-1/4 bolts with washers must be used to fasten the unit securely to the wood skid. Failure to do this will result in shipping damage.**

If a shipping carton or any of the interior parts is needed, please call or write the Customer Service Department of McIntosh Laboratory. Order parts from the accompanying list by part number.

Use the original shipping carton and interior parts only if they are in good serviceable condition.

Qty.	Part No.	Description
1	034051	Shipping carton bottom
2	034054	Foam pad (front and rear)
2	034053	Foam Pad (side)
2	034055	Foam pad (top and bottom)
1	034052	Shipping carton (top)
1	034049	Inner carton (bottom)
1	034056	Shipping skid
1	034048	Foam pad (inner carton)
1	034050	Inner carton (top)
4	101212	1/4 - 20 x 2-1/4 cap screw
4	104058	Flat washer



# MC352

## POWER AMPLIFIER

### SERVICE MANUAL

The continuous improvement of its products is the policy of McIntosh Laboratory Incorporated, who reserve the right to improve design without notice. Because of the constant upgrading of McIntosh products' circuitry and components, the Company cannot insure, and does not warrant, the accuracy of the within schematic material, which is intended for information only.