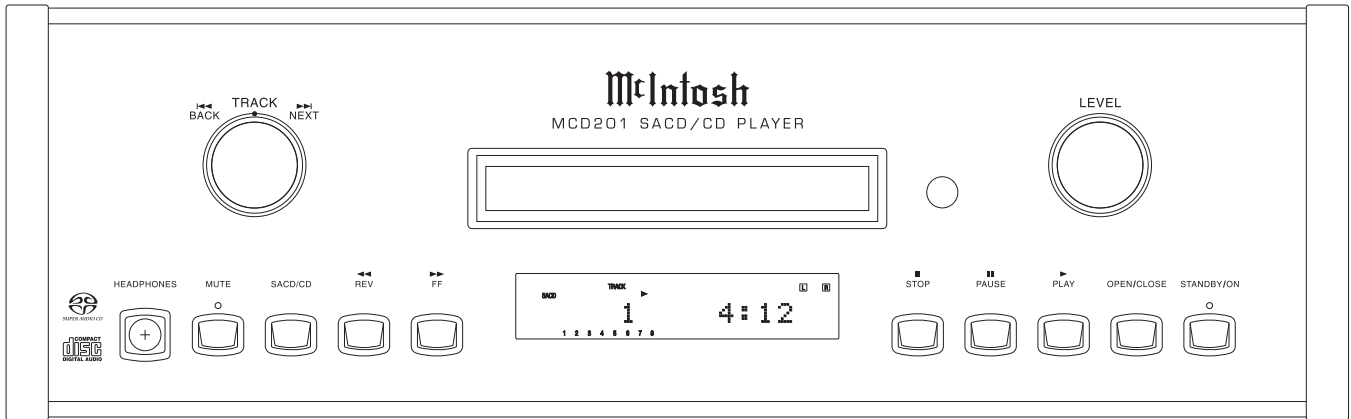




# MCD201

## SACD / CD PLAYER

SERIAL NO. XD1001 And Above



### CONTENTS

Performance Specifications .....	2	Main Schematic and PCB .....	9 - 16
Notes .....	3	Display Schematic and PCB .....	19 - 22
Safety Information .....	3	Control .....	23
Rear Panel .....	5	Headphone .....	25
Section Location .....	5	Parts List .....	27 - 30
Block Diagram .....	6	Exploded View and Parts List .....	31 - 33
Interconnection Diagram .....	7 - 8	Repacking Instructions .....	35

# SERVICE MANUAL

Serial Number XD1001 And Above

# PERFORMANCE SPECIFICATIONS

## Audio Specifications

### Fixed Output level

2.0Vrms Unbalanced  
4.0Vrms Balanced

### Variable Output level

0 - 6.0Vrms Unbalanced  
0 - 12.0Vrms Balanced

### Output Impedance

600 ohms Unbalanced and Balanced

### Frequency Response

4Hz to 110,000Hz, +0.5, -2dB (SACD)  
4Hz to 20,000Hz,  $\pm 0.5$ dB (CD)

### Signal to Noise Ratio

Better than 110dB (A-weighted)

### Dynamic Range

Better than 100dB

### Harmonic Distortion

0.002% @ 1000Hz (SACD)  
0.003% @ 1000Hz (CD)

### Channel Separation

Better than 98dB (1,000Hz)

## General Specifications

### Digital Output

Optical: -15dbm to -21dbm (CD and MP3)  
Coaxial: 0.5V p-p/75 ohm (CD and MP3)  
Sampling Frequencies: 44.1kHz (CD and MP3)

### Transport

Laser Beam Wavelength: 650nm (SACD)/790nm (CD)  
Laser Power: CLASS IIa/CLASS I

### Power Requirements

100 Volts, 50/60Hz at 35 watts  
110 Volts, 50/60Hz at 35 watts  
120 Volts, 50/60Hz at 35 watts  
220 Volts, 50/60Hz at 35 watts  
230 Volts, 50/60Hz at 35 watts  
240 Volts, 50/60Hz at 35 watts

*Note: Refer to the rear panel of the MCD201 for the correct voltage.*

### Overall Dimensions

Width is 17-1/2 inches (44.45cm)  
Height is 6 inches (15.24cm)  
Depth is 16-1/2 inches (41.91cm)

*Note: When the Disc Tray is opened, the panel clearance required in front of mounting panel is 6-3/4 inches (17.2cm).*


### Weight

22.8 pounds (10.4Kg) net, 39.2 pounds (17.8Kg) in shipping carton

### Shipping Carton Dimensions

Width is 26-1/2 inches (67.3cm)  
Depth is 24-1/4 inches (62.2cm)  
Height is 11-3/4 inches (29.9cm)

# NOTES

- The heavy notes on the schematic denote the primary signal path.
- Unless otherwise noted, all voltages indicated on the schematics are measured under the following conditions:
  - AC input at 120 volts, 50/60Hz.
  - All voltages are +/-10% with respect to ground. A high impedance (10 megaohm) voltmeter must be used.
- Unless otherwise specified:
  - Resistor values are in ohms.
  - Capacitor values are microfarads (uF).
  - Inductor values are in microhenries (uH).
- On PC board drawings, Square pad indicates:
  - Polarized Capacitors - Positive
  - Diodes - Cathode
  - Others - Pin 1
- WARNING**  
Parts marked with the symbol  have critical characteristics. Use only replacement parts recommended by the manufacturer.
- Use McIntosh Remote Control Model HR056 with the MCD201.

## SAFETY INFORMATION

**CAUTION:** Invisible Laser Radiation when open. DO NOT stare into the beam or view directly with optical instruments. Use of controls or adjustments or performance of procedures other than those specified in the Owners Manual may result in Hazardous Radiation Exposure.

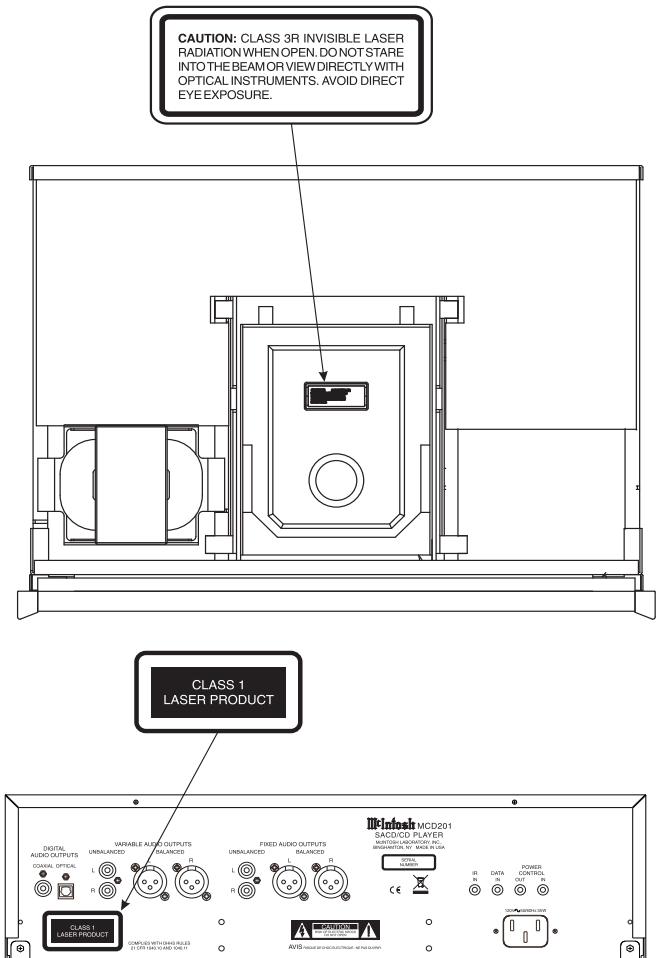
Servicing of laser mechanism is to be performed at the service facility at McIntosh Laboratory Inc.

**This product incorporates an embedded Class 3R Laser (IEC60825-1).**

### LUOKAN 1 LASERLAITE KLASS 1 LASER APPARAT

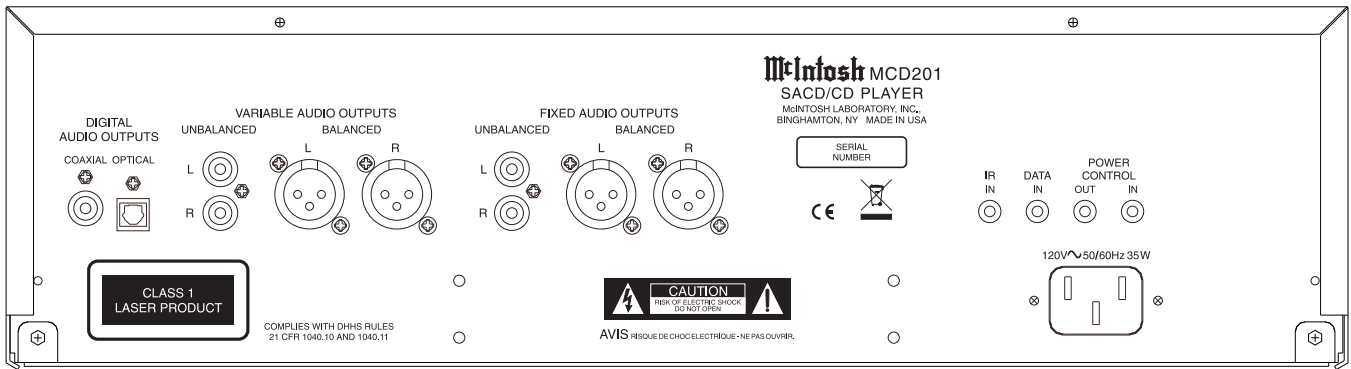
**VAROITUS!** Laitteen käyttäminen muulla kuin tassa käyttöohjeessa mainitulla tavalla saattaa altistaa käyttäjän turvallisuusluokan 1 ylittävälle näkymättömälle lasersäteilylle.

**VARNING!** Om apparaten används på annat sätt än i denna bruksanvisning specificerats, kan användaren utsättas för osynlig laserstrålning, som överskrider gränsen för laserklass 1.



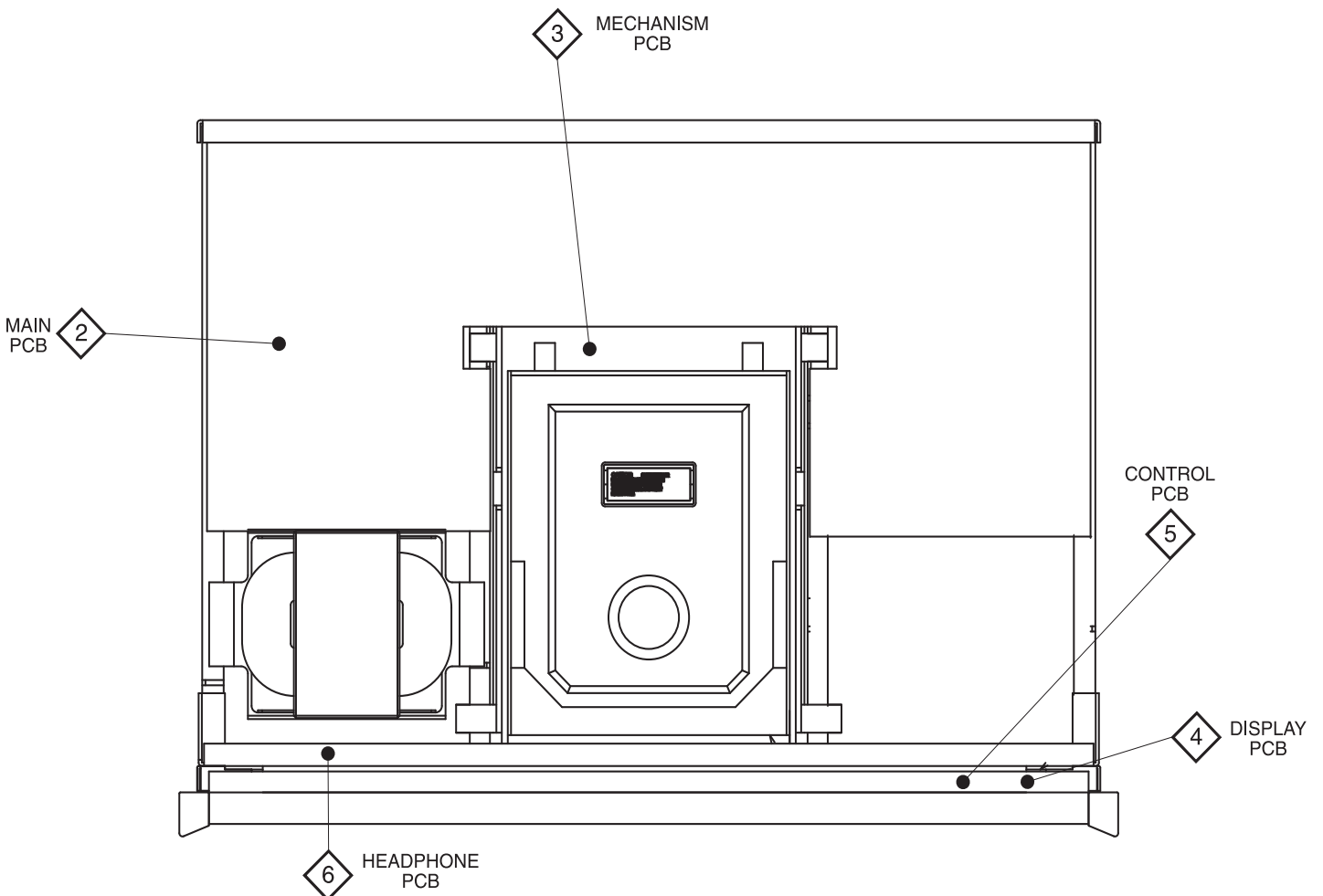
# *NOTES*

# REAR PANEL

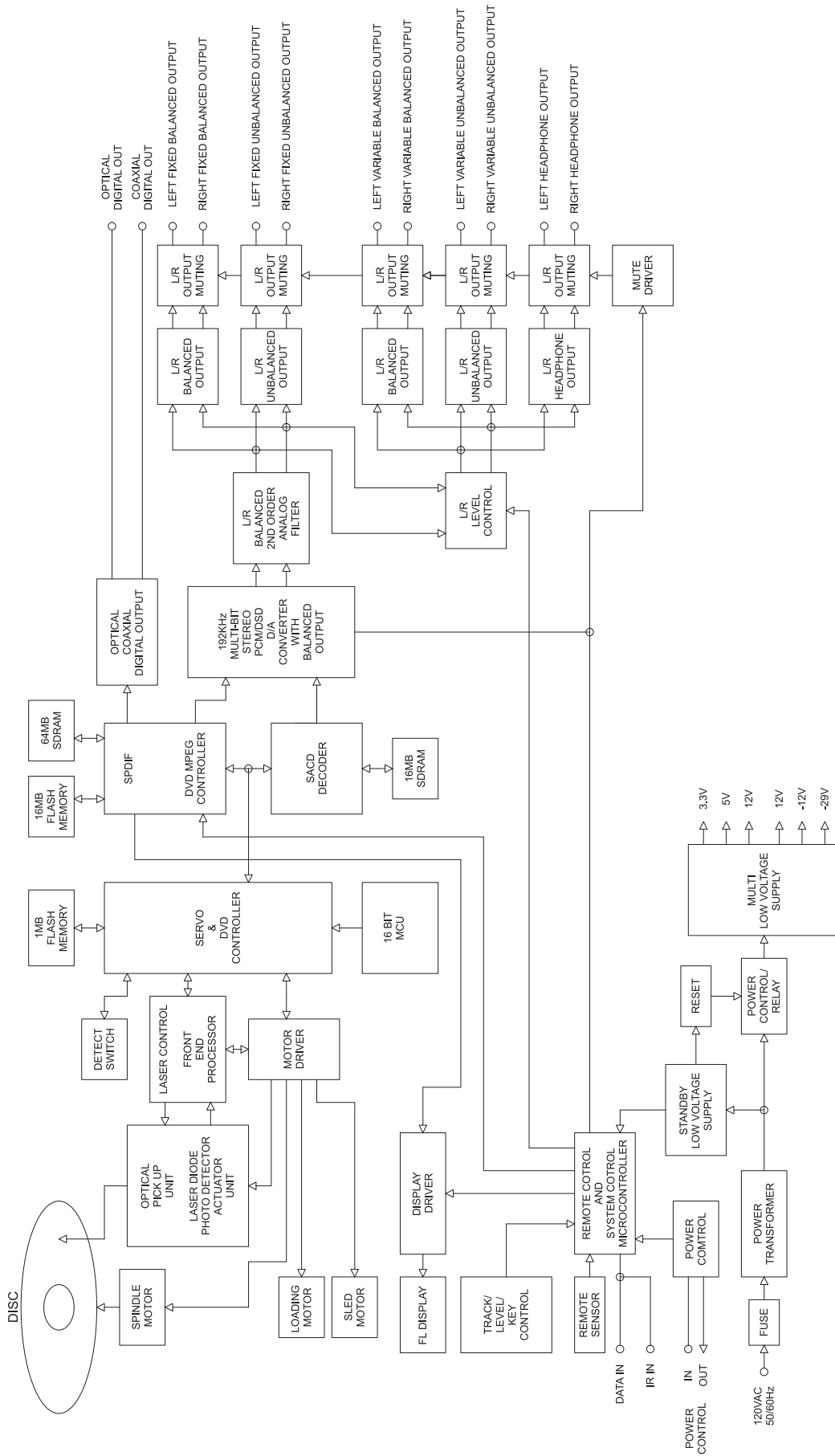


# SECTION LOCATIONS

TOP VIEW WITH COVER REMOVED

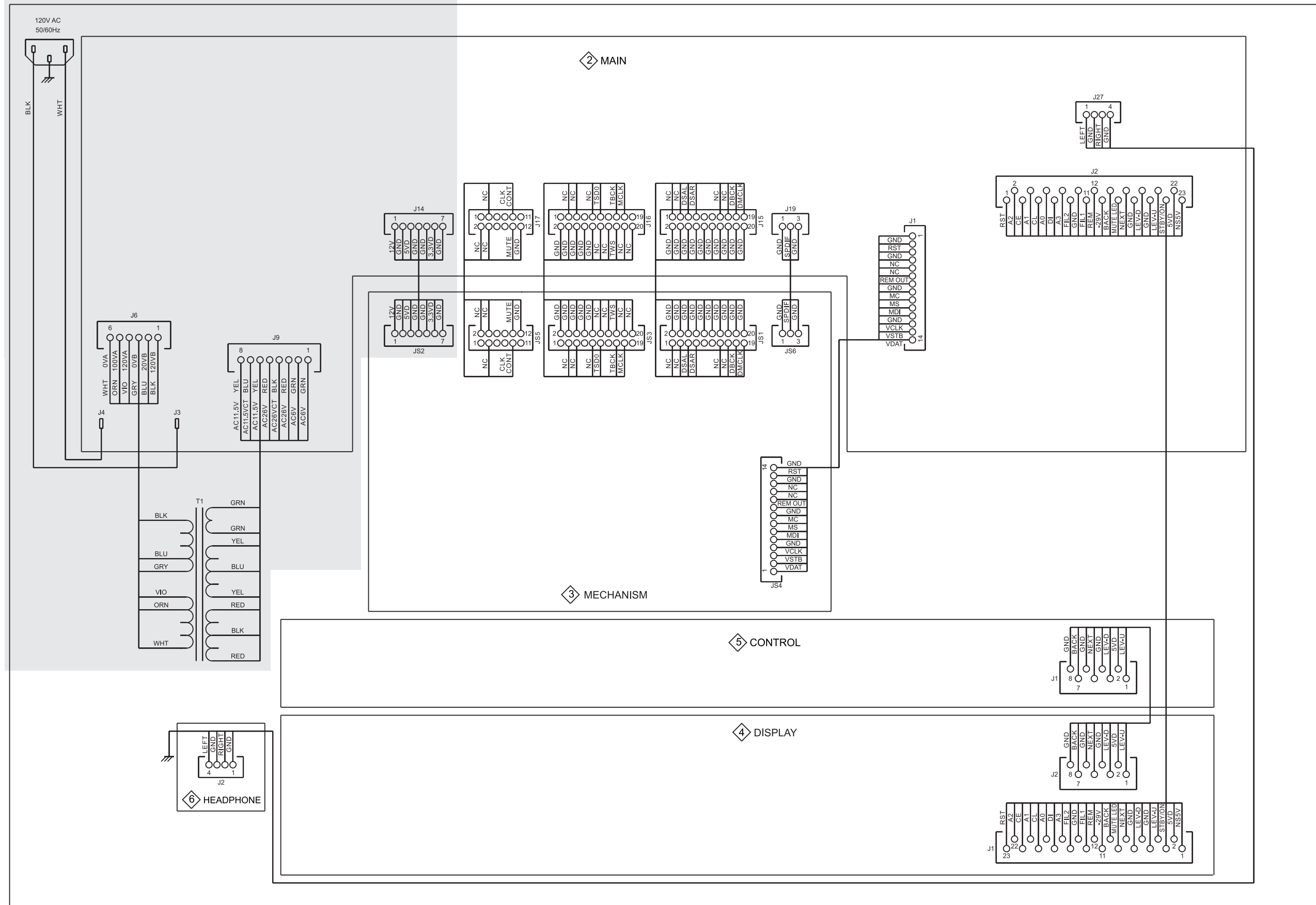


# BLOCK DIAGRAM



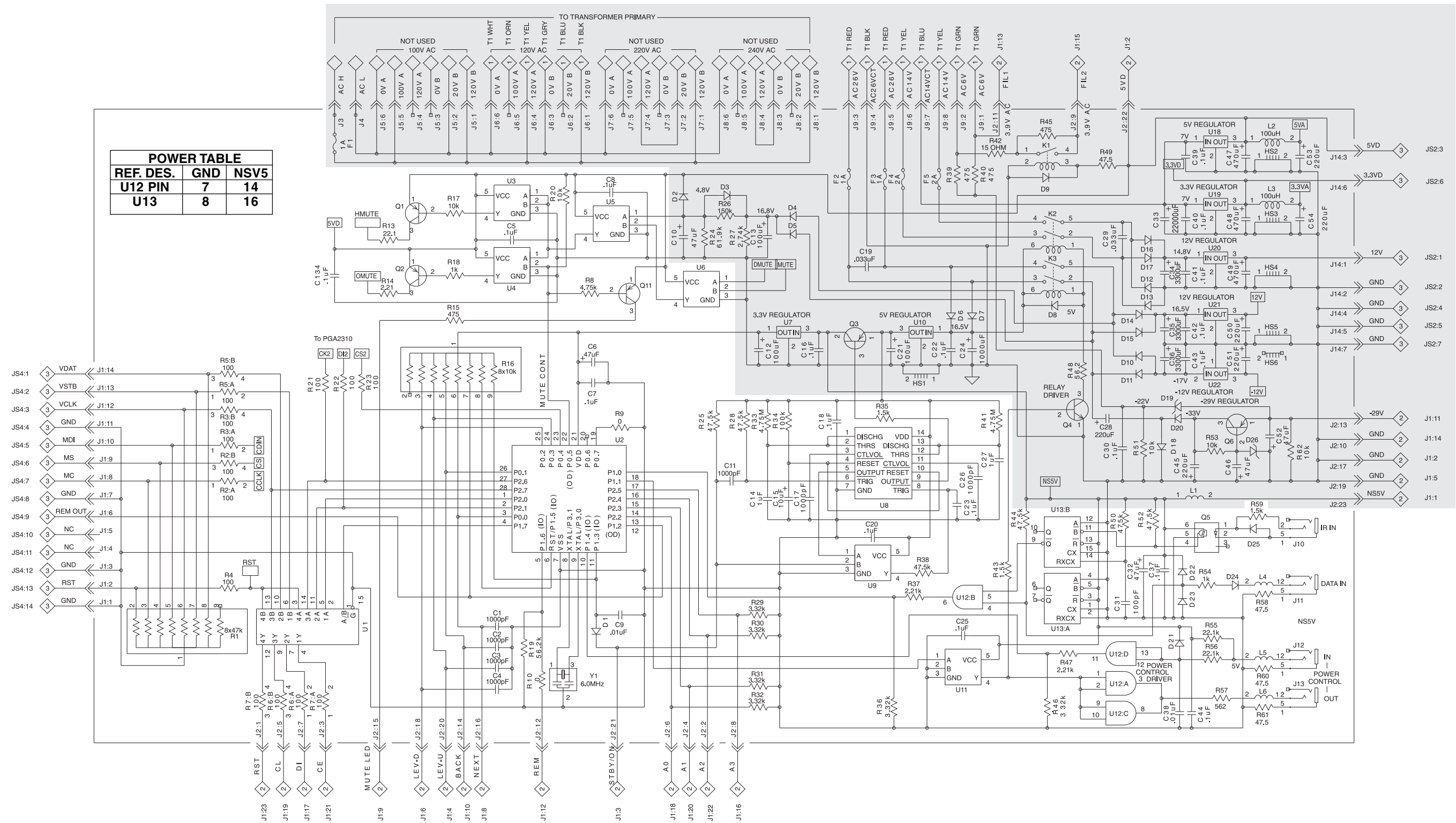
# INTERCONNECT

**!** WARNING Parts located in the shaded area have critical characteristics. Use only replacement parts recommended by the manufacturer.



**!** WARNING Parts located in the shaded area have critical characteristics. Use only replacement parts recommended by the manufacturer.

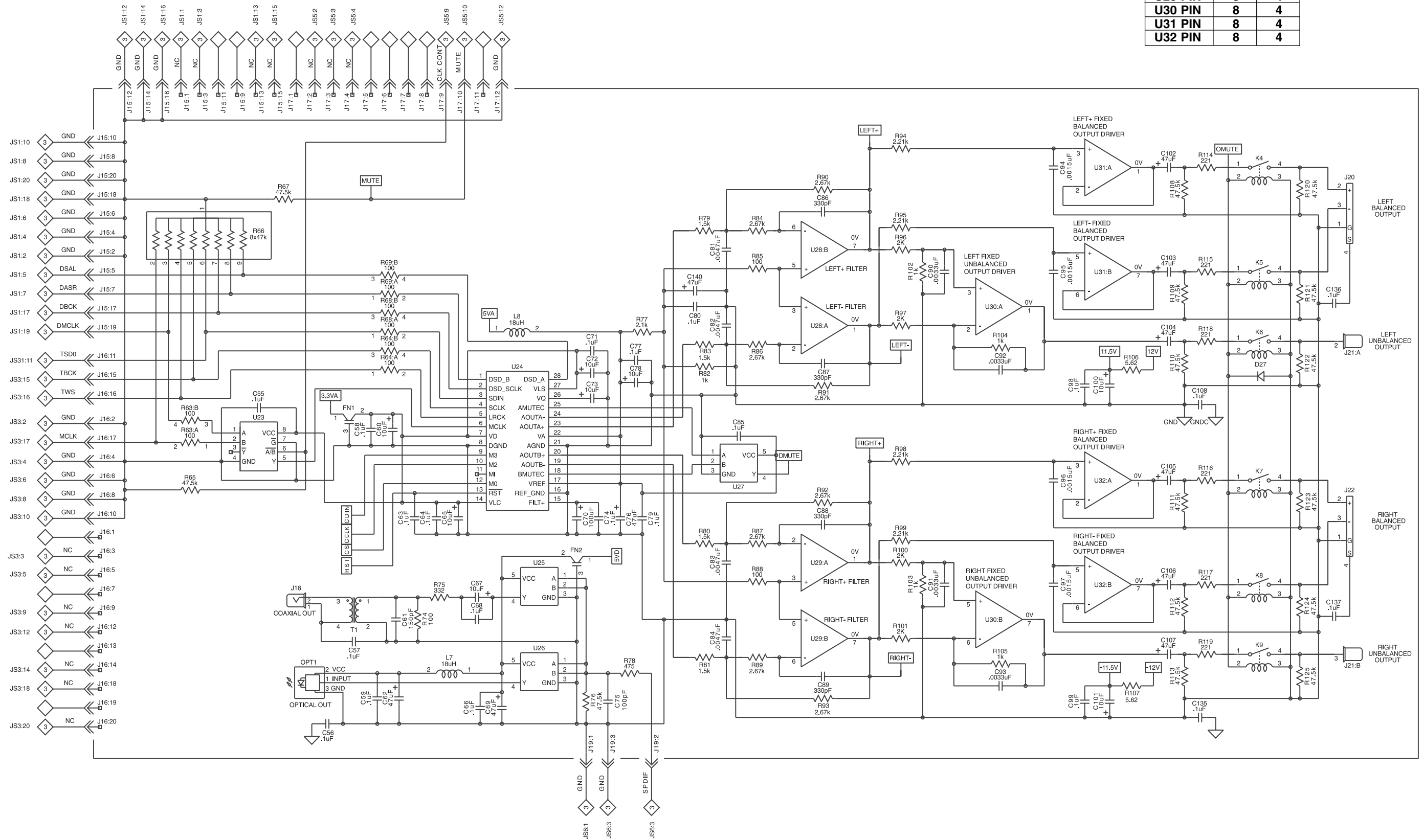
POWER TABLE		
REF. DES.	GND	NSV5
U12 PIN 7	7	14
U13	8	16





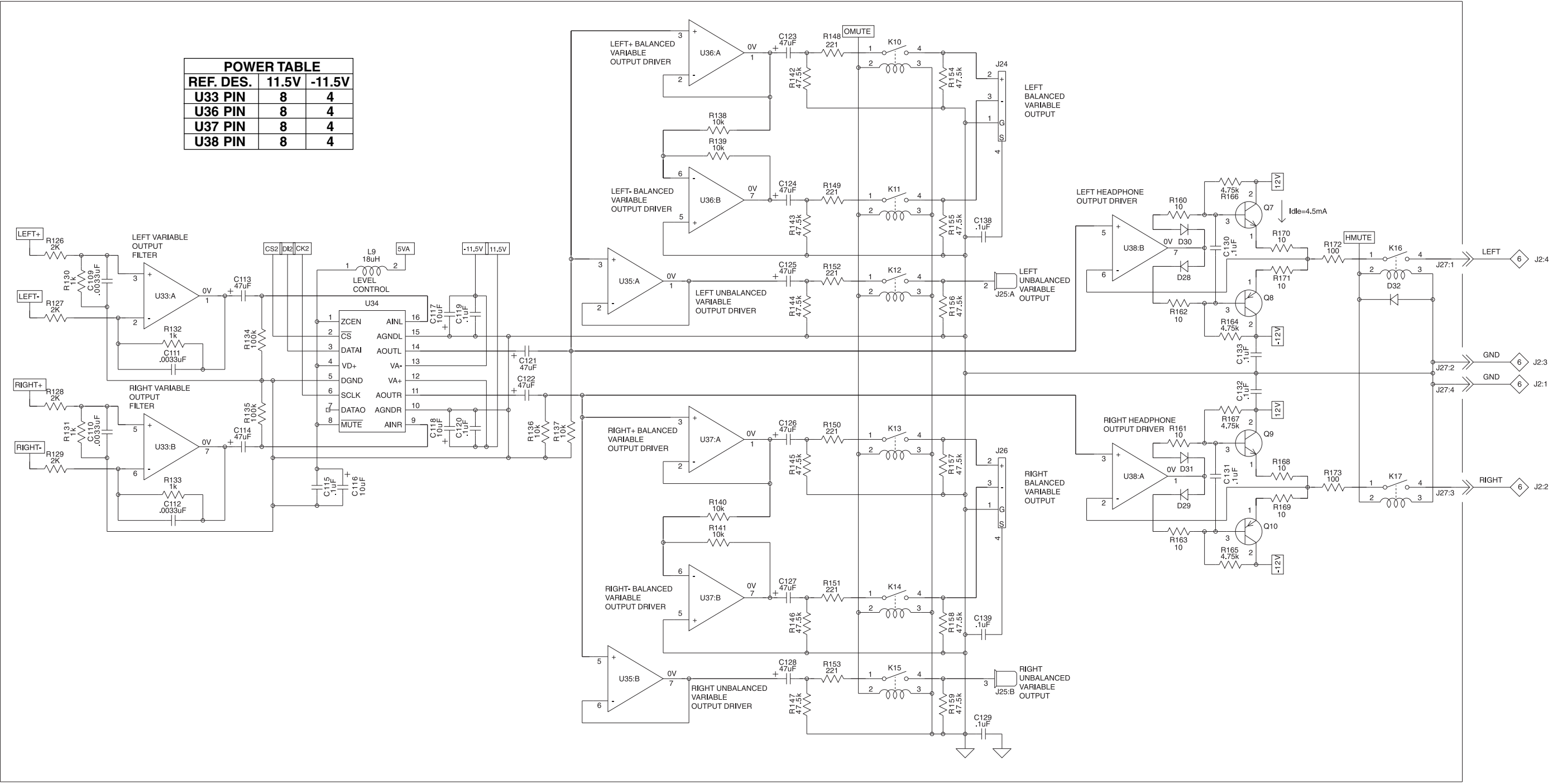
2 MAIN 750293 SCH 2 OF 3

POWER TABLE		
REF. DES.	11.5V	-11.5V
U28 PIN	8	4
U29 PIN	8	4
U30 PIN	8	4
U31 PIN	8	4
U32 PIN	8	4

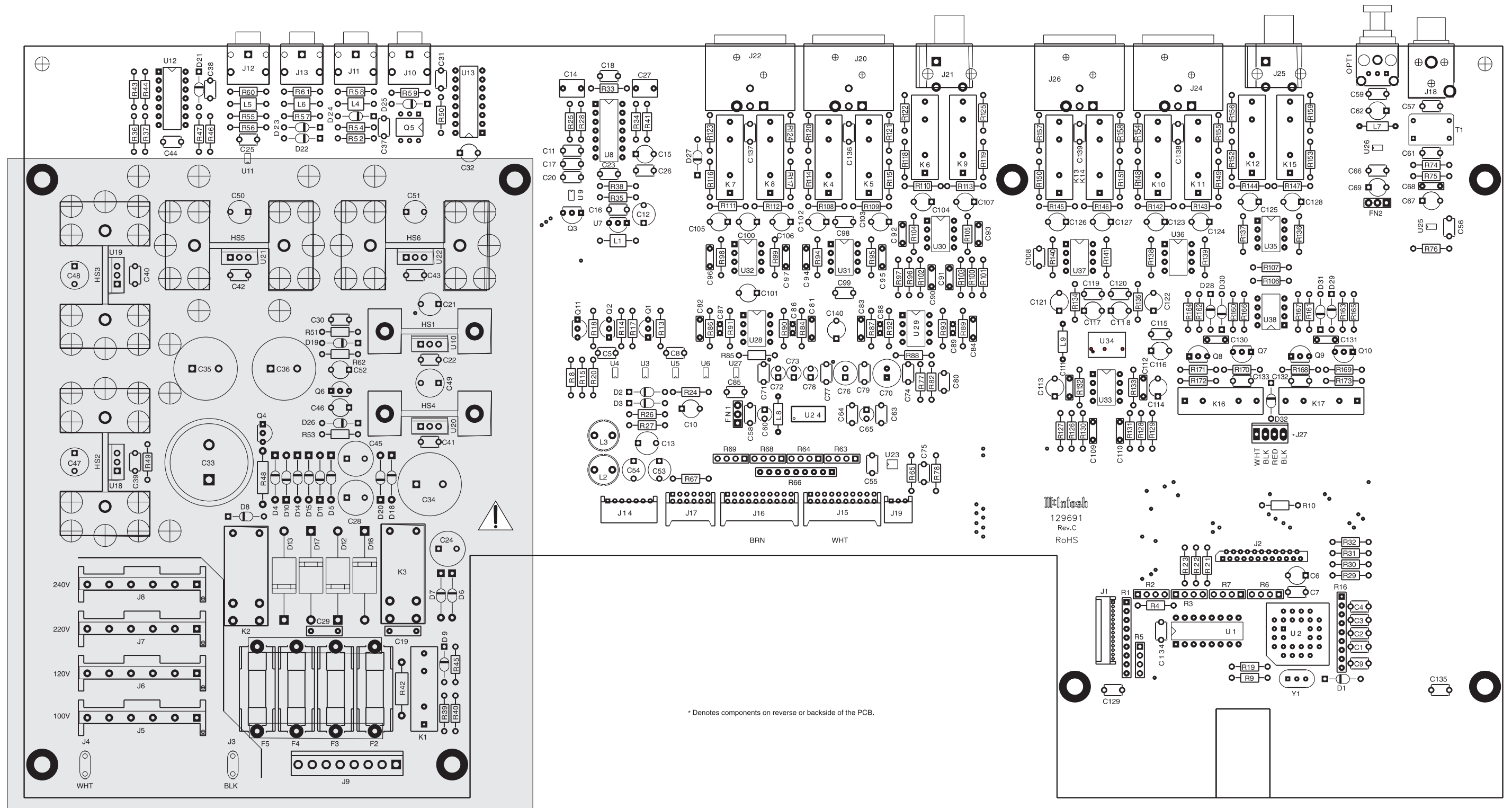


**2** MAIN 750293 SCH 3 OF 3

POWER TABLE		
REF. DES.	11.5V	-11.5V
U33 PIN	8	4
U36 PIN	8	4
U37 PIN	8	4
U38 PIN	8	4



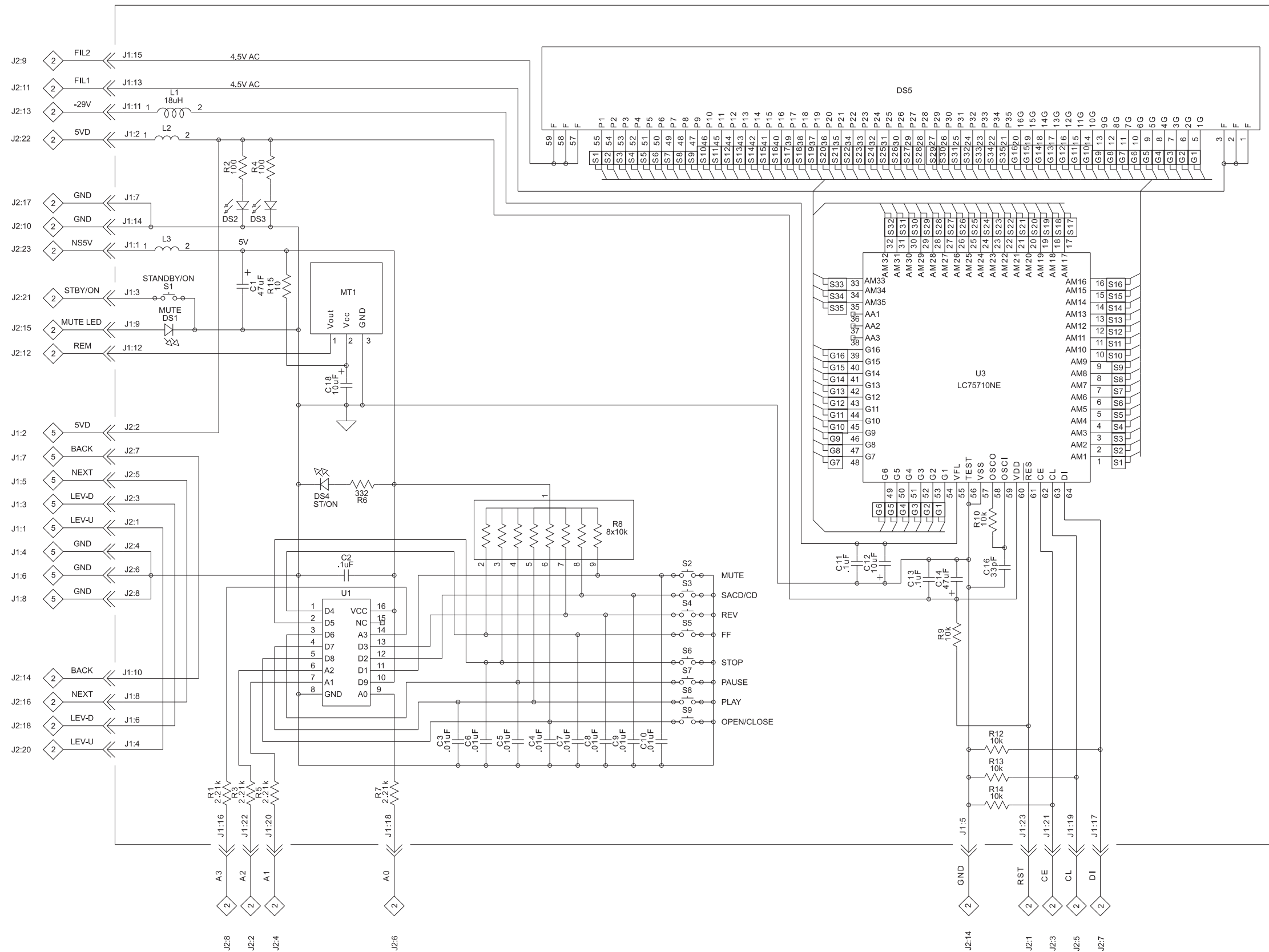
2 MAIN PCB 750293



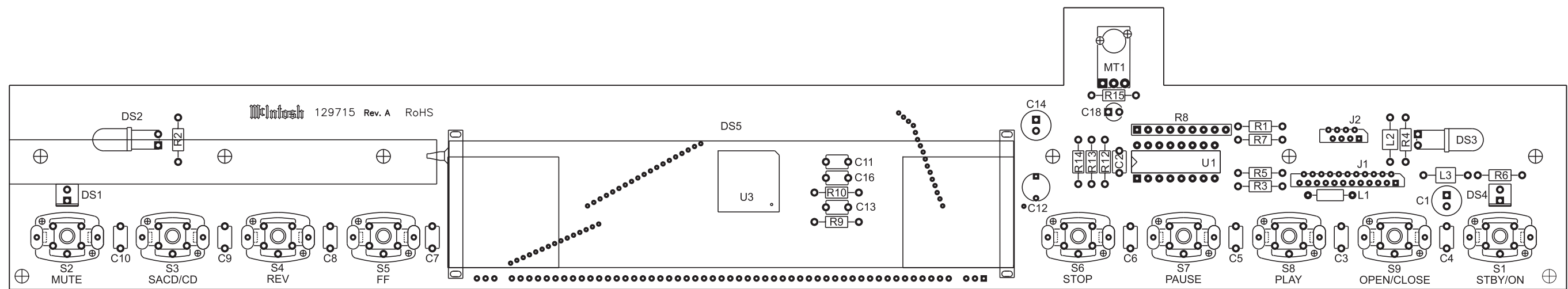
**!** WARNING Parts located in the shaded area have critical characteristics. Use only replacement parts recommended by the manufacturer.

# *NOTES*

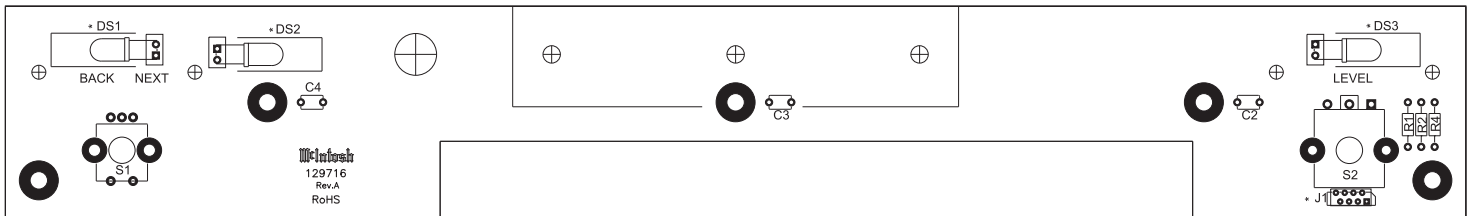
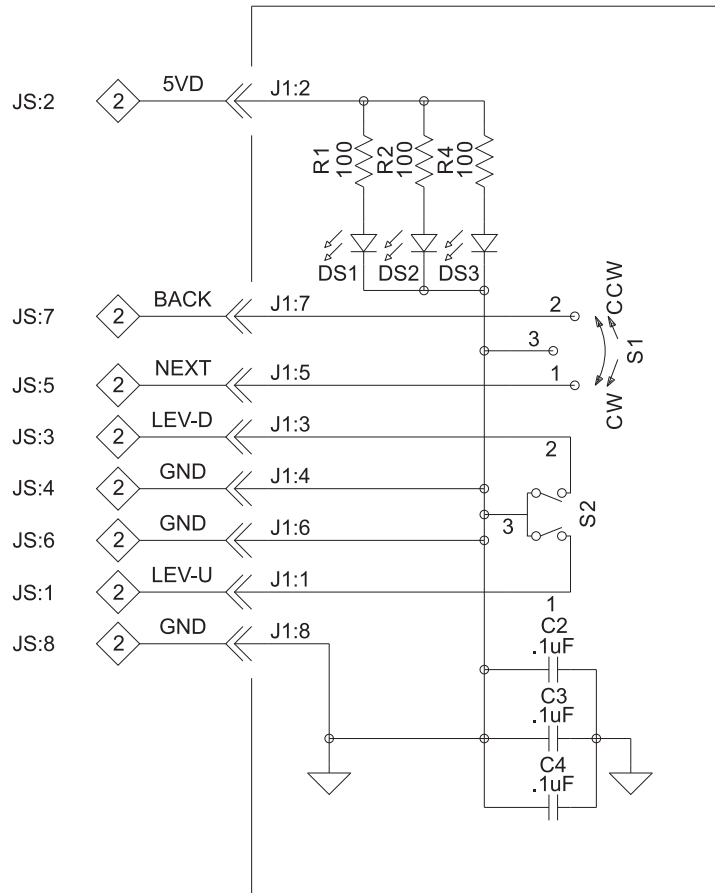
4 DISPLAY SCH 750294



**4** *DISPLAY* PCB 750294



# 5 CONTROL SCH and PCB 750295

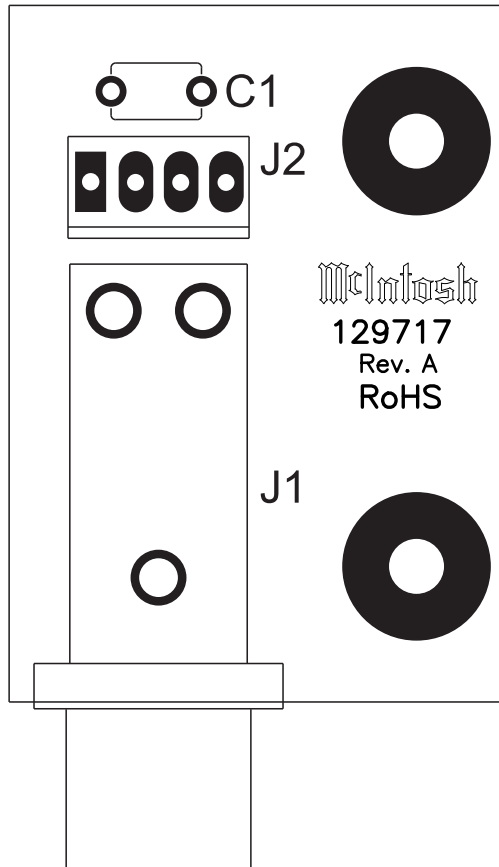
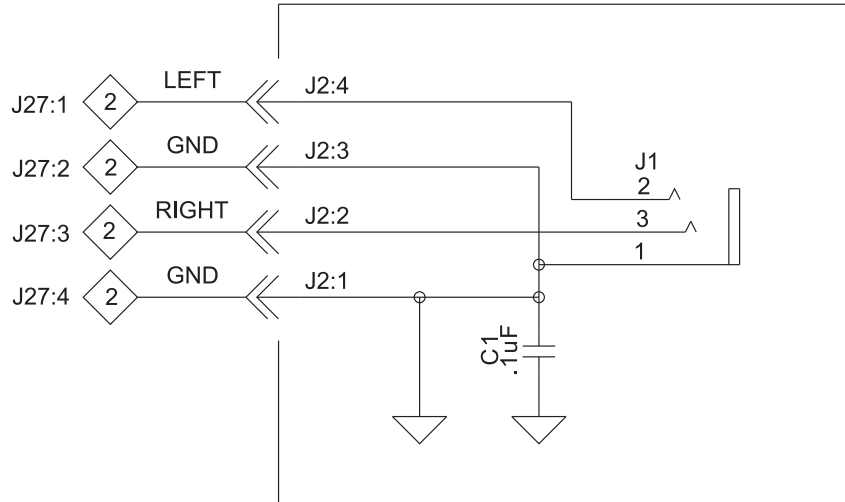


129716  
Rev.A  
RoHS

# *NOTES*



# 6 HEADPHONE SCH and PCB 750296



# PARTS LIST

## ◆ MAIN PCB 750293

Ref No.	Description	Part No.	Ref No.	Description	Part No.
C1	CAP MONO 1000PF 50V 10% NPO	061344	C61	CAP MONO 150PF 200V 5%	061349
C2	CAP MONO 1000PF 50V 10% NPO	061344	C62	CAP ELECT 47UF 35V	066446
C3	CAP MONO 1000PF 50V 10% NPO	061344	C63	CAP MONO .1UF 50V 20% Z5U	061346
C4	CAP MONO 1000PF 50V 10% NPO	061344	C64	CAP MONO .1UF 50V 20% Z5U	061346
C5	CAP MONO .1UF 50V 20% Z5U	061346	C65	CAP ELECT 10UF 16V	066580
C6	CAP ELECT 47UF 35V	066446	C66	CAP MONO .1UF 50V 20% Z5U	061346
C7	CAP MONO .1UF 50V 20% Z5U	061346	C67	CAP ELECT 10UF 50V	066445
C8	CAP MONO .1UF 50V 20% Z5U	061346	C68	CAP MPF 0.1UF 5% 63VDC	064325
C9	CAP MONO .01UF 50V 20% X7R	061345	C69	CAP ELECT 47UF 35V	066446
C10	CAP ELECT 47UF 35V	066446	C70	CAP ELECT 100UF 10V 5MM	066576
C11	CAP MONO 1000PF 50V 10% NPO	061344	C71	CAP MONO .1UF 50V 20% Z5U	061346
C12	CAP ELECT 100UF 25V	066573	C72	CAP ELECT 10UF 16V	066580
C13	CAP ELECT 100UF 25V	066573	C73	CAP ELECT 10UF 16V	066580
C24	CAP ELECT 1000UF 25V	066513	C74	CAP MONO .1UF 50V 20% Z5U	061346
C14	CAP MPF 1UF 5% 63VDC	064337	C75	CAP MONO 100PF 100V 10% NPO	061341
C15	CAP ELECT 10UF 50V	066445	C76	CAP ELECT 47UF 16V	066380
C16	CAP MONO .1UF 50V 20% Z5U	061346	C77	CAP MONO .1UF 50V 20% Z5U	061346
C17	CAP MONO 1000PF 50V 10% NPO	061344	C78	CAP ELECT 10UF 16V	066580
C18	CAP MONO .1UF 50V 20% Z5U	061346	C79	CAP MONO .1UF 50V 20% Z5U	061346
C19	CAP MPF 0.033UF 100V 10%	064427	C80	CAP MONO .1UF 50V 20% Z5U	061346
C20	CAP MONO .1UF 50V 20% Z5U	061346	C81	CAP MPF 0.0047UF 5% 63VDC	064308
C21	CAP ELECT 100UF 25V	066573	C82	CAP MPF 0.0047UF 5% 63VDC	064308
C22	CAP MONO .1UF 50V 20% Z5U	061346	C83	CAP MPF 0.0047UF 5% 63VDC	064308
C23	CAP MONO .1UF 50V 20% Z5U	061346	C84	CAP MPF 0.0047UF 5% 63VDC	064308
C25	CAP MONO .1UF 50V 20% Z5U	061346	C85	CAP MONO .1UF 50V 20% Z5U	061346
C26	CAP MONO 1000PF 50V 10% NPO	061344	C86	CAP MONO 330PF	061332
C27	CAP MPF 1UF 5% 63VDC	064337	C87	CAP MONO 330PF	061332
C28	CAP ELECT 220UF 50V 20%	066254	C88	CAP MONO 330PF	061332
C29	CAP MPF 0.033UF 100V 10%	064427	C89	CAP MONO 330PF	061332
C30	CAP MONO .1UF 50V 20% Z5U	061346	C90	CAP MPF 0.0033UF 5% 63VDC	064455
C31	CAP MONO 100PF 100V 10% NPO	061341	C91	CAP MPF 0.0033UF 5% 63VDC	064455
C32	CAP ELECT 47UF 35V	066446	C92	CAP MPF 0.0033UF 5% 63VDC	064455
C33	CAP ELECT 22000UF 16V	066579	C93	CAP MPF 0.0033UF 5% 63VDC	064455
C34	CAP ELECT 3300UF 35V	066509	C94	CAP MPF 0.0015UF 5% 63VDC	064302
C35	CAP ELECT 3300UF 35V	066509	C95	CAP MPF 0.0015UF 5% 63VDC	064302
C36	CAP ELECT 3300UF 35V	066509	C96	CAP MPF 0.0015UF 5% 63VDC	064302
C37	CAP MONO .1UF 50V 20% Z5U	061346	C97	CAP MPF 0.0015UF 5% 63VDC	064302
C38	CAP MONO .01UF 50V 20% X7R	061345	C98	CAP MONO .1UF 50V 20% Z5U	061346
C39	CAP MONO .1UF 50V 20% Z5U	061346	C99	CAP MONO .1UF 50V 20% Z5U	061346
C40	CAP MONO .1UF 50V 20% Z5U	061346	C100	CAP ELECT 10UF 50V	066445
C41	CAP MONO .1UF 50V 20% Z5U	061346	C101	CAP ELECT 10UF 50V	066445
C42	CAP MONO .1UF 50V 20% Z5U	061346	C102	CAP ELECT 47UF 35V	066446
C43	CAP MONO .1UF 50V 20% Z5U	061346	C103	CAP ELECT 47UF 35V	066446
C44	CAP MONO .1UF 50V 20% Z5U	061346	C104	CAP ELECT 47UF 35V	066446
C45	CAP ELECT 220UF 50V 20%	066254	C105	CAP ELECT 47UF 35V	066446
C46	CAP ELECT 47UF 35V	066446	C106	CAP ELECT 47UF 35V	066446
C47	CAP ELECT 470UF 16V	066508	C107	CAP ELECT 47UF 35V	066446
C48	CAP ELECT 470UF 16V	066508	C108	CAP MONO .1UF 50V 20% Z5U	061346
C49	CAP ELECT 470UF 16V	066508	C109	CAP MPF 0.0033UF 5% 63VDC	064455
C50	CAP ELECT 220UF 25V	066507	C110	CAP MPF 0.0033UF 5% 63VDC	064455
C51	CAP ELECT 220UF 25V	066507	C111	CAP MPF 0.0033UF 5% 63VDC	064455
C52	CAP ELECT 47UF 35V	066446	C112	CAP MPF 0.0033UF 5% 63VDC	064455
C53	CAP ELECT 220UF 25V	066507	C113	CAP ELECT 47UF 35V	066446
C54	CAP ELECT 220UF 25V	066507	C114	CAP ELECT 47UF 35V	066446
C55	CAP MONO .1UF 50V 20% Z5U	061346	C115	CAP MONO .1UF 50V 20% Z5U	061346
C56	CAP MONO .1UF 50V 20% Z5U	061346	C116	CAP ELECT 10UF 50V	066445
C57	CAP MONO .1UF 50V 20% Z5U	061346	C117	CAP ELECT 10UF 50V	066445
C58	CAP MONO .1UF 50V 20% Z5U	061346	C118	CAP ELECT 10UF 50V	066445
C59	CAP MONO .1UF 50V 20% Z5U	061346	C119	CAP MONO .1UF 50V 20% Z5U	061346
C60	CAP ELECT 10UF 16V	066580	C120	CAP MONO .1UF 50V 20% Z5U	061346

PARTS LIST *con't*

## MAIN PCB 750293 (cont'd)

Ref No.	Description	Part No.	Ref No.	Description	Part No.
C121	CAP ELECT 47UF 35V	066446	(F5)	HOLDER FUSE 5X20MM PCB MOUNT	178159
C122	CAP ELECT 47UF 35V	066446	FN1	FILTER EMI	180057
C123	CAP ELECT 47UF 35V	066446	FN2	FILTER EMI	180057
C124	CAP ELECT 47UF 35V	066446		WASHER SHLDR #10 BLK NYLN INS	104101
C125	CAP ELECT 47UF 35V	066446	HS1	HEATSINK TO-220	080021
C126	CAP ELECT 47UF 35V	066446	HS2	HEATSINK TO-218	080020
C127	CAP ELECT 47UF 35V	066446	HS3	HEATSINK TO-218	080020
C128	CAP ELECT 47UF 35V	066446	HS4	HEATSINK TO-220	080021
C129	CAP MONO .1UF 50V 20% Z5U	061346	HS5	HEATSINK TO-218	080020
C130	CAP MPF 0.1UF 5% 63VDC	064325	HS6	HEATSINK TO-218	080020
C131	CAP MPF 0.1UF 5% 63VDC	064325	J1	HEADER 1.25MM 14 PIN R-ANGLE	117889
C132	CAP MONO .1UF 50V 20% Z5U	061346	J2	CONN 23 PIN FFC	117906
C133	CAP MONO .1UF 50V 20% Z5U	061346	J3	BLADE FASTON W/FEET	117708
C134	CAP MONO .1UF 50V 20% Z5U	061346	J4	BLADE FASTON W/FEET	117708
C135	CAP MONO .1UF 50V 20% Z5U	061346	J5	CONN PCB MOUNT POWER RED	117719
C136	CAP MONO .1UF 50V 20% Z5U	061346	J6	CONN PCB MOUNT POWER RED	117719
C137	CAP MONO .1UF 50V 20% Z5U	061346	J7	CONN PCB MOUNT POWER RED	117719
C138	CAP MONO .1UF 50V 20% Z5U	061346	J8	CONN PCB MOUNT POWER RED	117719
C139	CAP MONO .1UF 50V 20% Z5U	061346	J9	HEADER 8 PIN MTA-156	117717
C140	CAP ELECT 47UF 35V	066446	J10	JACK HEADPHONE STEREO 1/8IN	117945
D1	DIODE SILICON	070174	J11	JACK HEADPHONE STEREO 1/8IN	117945
D2	DIODE SILICON	070174	J12	JACK HEADPHONE STEREO 1/8IN	117945
D3	DIODE SILICON	070174	J13	JACK HEADPHONE STEREO 1/8IN	117945
D4	DIODE SIL 400 PIV @ 1.5A	070031	J14	HEADER 2MM 7PIN R-ANGLE	117941
D5	DIODE SIL 400 PIV @ 1.5A	070031	J15	HEADER 2MM 20 PIN R-ANGLE	117943
D6	DIODE SIL 400 PIV @ 1.5A	070031	J16	HEADER 2MM 20 PIN R-ANGLE	117943
D7	DIODE SIL 400 PIV @ 1.5A	070031	J17	HEADER 2MM 12 PIN R-ANGLE	117944
D8	DIODE SILICON	070174	J18	RCA JACK ORANGE WITH GOLD	117798
D9	DIODE SILICON	070174	J19	HEADER 2MM 3 PIN R-ANGLE	117942
D10	DIODE SIL 400 PIV @ 1.5A	070031	J20	RECEPTACLE XLR MALE	117686
D11	DIODE SIL 400 PIV @ 1.5A	070031	J21	JACK RCA 1X2 WHT/RED 14MM	117788
D12	RECTIFIER SCHOTTKY 5A 100V	070171	J22	RECEPTACLE XLR MALE	117686
D13	RECTIFIER SCHOTTKY 5A 100V	070171	J24	RECEPTACLE XLR MALE	117686
D14	DIODE SIL 400 PIV @ 1.5A	070031	J25	JACK RCA 1X2 WHT/RED 14MM	117788
D15	DIODE SIL 400 PIV @ 1.5A	070031	J26	RECEPTACLE XLR MALE	117686
D16	RECTIFIER SCHOTTKY 5A 100V	070171	J27	CONN 4 PIN	117215
D17	RECTIFIER SCHOTTKY 5A 100V	070171	K1	RELAY REED FORM 1A 5V 500 OHMS	087050
D18	DIODE SIL 400 PIV @ 1.5A	070031	K2	RELAY 12VDC DPST	087059
D19	DIODE ZENER 6.2V 5% 500MW	070184	K3	RELAY 12VDC DPST	087059
D20	DIODE SIL 400 PIV @ 1.5A	070031	K4	RELAY REED FORM 1A 5V 500 OHMS	087050
D21	DIODE SILICON	070174	K5	RELAY REED FORM 1A 5V 500 OHMS	087050
D22	DIODE SILICON	070174	K6	RELAY REED FORM 1A 5V 500 OHMS	087050
D23	DIODE SILICON	070174	K7	RELAY REED FORM 1A 5V 500 OHMS	087050
D24	DIODE SILICON	070174	K8	RELAY REED FORM 1A 5V 500 OHMS	087050
D25	DIODE SILICON	070174	K9	RELAY REED FORM 1A 5V 500 OHMS	087050
D26	DIODE ZENER 30V 1/2W 5%	070161	K10	RELAY REED FORM 1A 5V 500 OHMS	087050
D27	DIODE SILICON	070174	K11	RELAY REED FORM 1A 5V 500 OHMS	087050
D28	DIODE SILICON	070174	K12	RELAY REED FORM 1A 5V 500 OHMS	087050
D29	DIODE SILICON	070174	K13	RELAY REED FORM 1A 5V 500 OHMS	087050
D30	DIODE SILICON	070174	K14	RELAY REED FORM 1A 5V 500 OHMS	087050
D31	DIODE SILICON	070174	K15	RELAY REED FORM 1A 5V 500 OHMS	087050
D32	DIODE SILICON	070174	K16	RELAY REED FORM 1A 5V 500 OHMS	087050
(F1)	HOLDER FUSE 5X20MM PCB MOUNT	178159	K17	RELAY REED FORM 1A 5V 500 OHMS	087050
F2	FUSE 1A 250V SB 5X20 ULCSA IEC	089132	L1	BEADS FERRITE LEADED	076023
(F2)	HOLDER FUSE 5X20MM PCB MOUNT	178159	L2	INDUCTOR 100UH POWER	122406
F3	FUSE 1A 250V SB 5X20 ULCSA IEC	089132	L3	INDUCTOR 100UH POWER	122406
(F3)	HOLDER FUSE 5X20MM PCB MOUNT	178159	L4	BEADS FERRITE LEADED	076023
F4	FUSE 2A 250V SLO-BLO 5X20 IEC	089123	L5	BEADS FERRITE LEADED	076023
(F4)	HOLDER FUSE 5X20MM PCB MOUNT	178159	L6	BEADS FERRITE LEADED	076023
F5	FUSE 2A 250V SLO-BLO 5X20 IEC	089123		SLEEVING #20 ID .034	077021

# PARTS LIST *con't*

## MAIN PCB 750293 (cont'd)

Ref No.	Description	Part No.	Ref No.	Description	Part No.
L7	CHOKE 18UH 5%-10%	122394	R37	RES MF 2.21K 1% 1/4W	144584
L8	CHOKE 18UH 5%-10%	122394	R38	RES MF 47.5K 1% 1/4W	144526
L9	CHOKE 18UH 5%-10%	122394	R39	RES MF 475 OHM 1% 1/4W	144509
OPT1	TRANSMITTER FIBER OPTIC	058180	R40	RES MF 475 OHM 1% 1/4W	144509
Q1	TRANSISTOR PNP SILICON	132304	R42	RES MF 15 OHM 1% 1/2W	144555
Q2	TRANSISTOR PNP SILICON	132304	R43	RES MF 1.5K 1% 1/4W	144539
Q3	TRANSISTOR PNP 2SB892	132263	R44	RES MF 47.5K 1% 1/4W	144526
Q4	TRANSISTOR NPN SILICON	132317	R45	RES MF 475 OHM 1% 1/4W	144509
Q5	COUPLER OPTICAL SCHMITT OUTPUT	131030	R46	RES MF 3.32K 1% 1/4W	144518
Q6	TRANSISTOR PNP SILICON	132304	R47	RES MF 2.21K 1% 1/4W	144584
Q7	TRANSISTOR NPN 2A 50V	132302	R50	RES MF 475K 1% 1/4W	144604
Q8	TRANSISTOR PNP 2SB892	132263	R51	RES MF 10K 1% 1/4W	144504
Q9	TRANSISTOR NPN 2A 50V	132302	R52	RES MF 47.5K 1% 1/4W	144526
Q10	TRANSISTOR PNP 2SB892	132263	R53	RES MF 10K 1% 1/4W	144504
Q11	TRANSISTOR PNP SILICON	132304	R54	RES MF 1K 1% 1/4W	144513
R1	RES NETWORK 9 X 47K BUSSED	144673	R55	RES MF 22.1K 1% 1/4W	144564
R2	RES NETWORK 2 X 100 OHM ISO	144680	R56	RES MF 22.1K 1% 1/4W	144564
R3	RES NETWORK 2 X 100 OHM ISO	144680	R59	RES MF 1.5K 1% 1/4W	144539
R4	RES MF 100 OHM 1% 1/4W	144568	R62	RES MF 10K 1% 1/4W	144504
R5	RES NETWORK 2 X 100 OHM ISO	144680	R63	RES NETWORK 2 X 100 OHM ISO	144680
R6	RES NETWORK 2 X 100 OHM ISO	144680	R65	RES MF 47.5K 1% 1/4W	144526
R7	RES NETWORK 2 X 100 OHM ISO	144680	R66	RES NETWORK 9 X 47K BUSSED	144673
R8	RES MF 4.75K 1% 1/4W	144520	R67	RES MF 47.5K 1% 1/4W	144526
R9	RES CF 0 OHM 5% 1/4W	141554	R76	RES MF 47.5K 1% 1/4W	144526
R10	RES CF 0 OHM 5% 1/4W	141554	R77	RES MF 2.1K 1% 1/4W	144585
R13	RES MF 22.1 OHM 1% 1/4W	144554	R78	RES MF 475 OHM 1% 1/4W	144509
R14	RES MF 2.21 OHM 1% 1/4W	144607	R79	RES MF 1.5K 1% 1/4W	144539
R15	RES MF 475 OHM 1% 1/4W	144509	R80	RES MF 1.5K 1% 1/4W	144539
R16	RES NET 10K X 8 RES BUSSED	144675	R81	RES MF 1.5K 1% 1/4W	144539
R17	RES MF 10K 1% 1/4W	144504	R82	RES MF 1K 1% 1/4W	144513
R18	RES MF 1K 1% 1/4W	144513	R83	RES MF 1.5K 1% 1/4W	144539
R19	RES MF 56.2K 1% 1/4W	144618	R84	RES MF 2.67K 1% 1/4W	144534
R20	RES MF 10K 1% 1/4W	144504	R85	RES MF 100 OHM 1% 1/4W	144568
R21	RES MF 100 OHM 1% 1/4W	144568	R86	RES MF 2.67K 1% 1/4W	144534
R22	RES MF 100 OHM 1% 1/4W	144568	R87	RES MF 2.67K 1% 1/4W	144534
R23	RES MF 100 OHM 1% 1/4W	144568	R88	RES MF 100 OHM 1% 1/4W	144568
R24	RES MF 61.9K 1% 1/4W	144596	R89	RES MF 2.67K 1% 1/4W	144534
R25	RES MF 47.5K 1% 1/4W	144526	R90	RES MF 2.67K 1% 1/4W	144534
R26	RES MF 150K 1% 1/4W	144627	R91	RES MF 2.67K 1% 1/4W	144534
R27	RES MF 2.74K 1% 1/4W	144587	R92	RES MF 2.67K 1% 1/4W	144534
R28	RES MF 47.5K 1% 1/4W	144526	R93	RES MF 2.67K 1% 1/4W	144534
R33	RES MF 4.75M 1% 1/4W	144608	R94	RES MF 2.21K 1% 1/4W	144584
R41	RES MF 4.75M 1% 1/4W	144608	R95	RES MF 2.21K 1% 1/4W	144584
R48	RES MO 56.2 OHM 1% 1W	144695	R96	RES MF 2K 1% 1/4W	144517
R49	RES MF 47.5 OHM 1% 1/4W	144642	R97	RES MF 2K 1% 1/4W	144517
R57	RES MF 562 OHM 1% 1/4W	144622	R98	RES MF 2.21K 1% 1/4W	144584
R58	RES MF 47.5 OHM 1% 1/4W	144642	R99	RES MF 2.21K 1% 1/4W	144584
R60	RES MF 47.5 OHM 1% 1/4W	144642	R100	RES MF 2K 1% 1/4W	144517
R61	RES MF 47.5 OHM 1% 1/4W	144642	R101	RES MF 2K 1% 1/4W	144517
R64	RES NETWORK 2 X 100 OHM ISO	144680	R102	RES MF 1K 1% 1/4W	144513
R68	RES NETWORK 2 X 100 OHM ISO	144680	R103	RES MF 1K 1% 1/4W	144513
R69	RES NETWORK 2 X 100 OHM ISO	144680	R104	RES MF 1K 1% 1/4W	144513
R75	RES MF 332 OHM 1% 1/4W	144646	R105	RES MF 1K 1% 1/4W	144513
R74	RES MF 100 OHM 1% 1/4W	144568	R106	RES MF 5.62 OHM 1% 1/4W	144556
R29	RES MF 3.32K 1% 1/4W	144518	R107	RES MF 5.62 OHM 1% 1/4W	144556
R30	RES MF 3.32K 1% 1/4W	144518	R108	RES MF 47.5K 1% 1/4W	144526
R31	RES MF 3.32K 1% 1/4W	144518	R109	RES MF 47.5K 1% 1/4W	144526
R32	RES MF 3.32K 1% 1/4W	144518	R110	RES MF 47.5K 1% 1/4W	144526
R34	RES MF 100K 1% 1/4W	144528	R111	RES MF 47.5K 1% 1/4W	144526
R35	RES MF 1.5K 1% 1/4W	144539	R112	RES MF 47.5K 1% 1/4W	144526
R36	RES MF 3.32K 1% 1/4W	144518	R113	RES MF 47.5K 1% 1/4W	144526

PARTS LIST *con't*

## MAIN PCB 750293 (cont'd)

Ref No.	Description	Part No.	Ref No.	Description	Part No.
R114	RES MF 221 OHM 1% 1/4W	144559	U1	QUAD 2 TO 1 LINE DATA SELECTOR	133476
R115	RES MF 221 OHM 1% 1/4W	144559	U2	PROGRAMMED VERSION OF 133495	133669
R116	RES MF 221 OHM 1% 1/4W	144559	(U2)	IC SOCKET 28 PIN PLCC	178186
R117	RES MF 221 OHM 1% 1/4W	144559	U3	SINGLE 2-INPUT NAND GATE	133501
R118	RES MF 221 OHM 1% 1/4W	144559	U4	SINGLE 2-INPUT NAND GATE	133501
R119	RES MF 221 OHM 1% 1/4W	144559	U5	SINGLE 2 INPUT AND GATE	133502
R120	RES MF 47.5K 1% 1/4W	144526	U6	SINGLE 2 INPUT AND GATE	133552
R121	RES MF 47.5K 1% 1/4W	144526	U7	IC 3.3V LOW DROP REGULATOR	133464
R122	RES MF 47.5K 1% 1/4W	144526	U8	IC TIMER	133612
R123	RES MF 47.5K 1% 1/4W	144526	U9	SINGLE 2-INPUT OR GATE	133516
R124	RES MF 47.5K 1% 1/4W	144526	U10	IC REGULATOR 5V	133597
R125	RES MF 47.5K 1% 1/4W	144526	U11	SINGLE 2-INPUT OR GATE	133516
R126	RES MF 2K 1% 1/4W	144517	U12	IC AND 2 INPUT X 4	133577
R127	RES MF 2K 1% 1/4W	144517	U13	IC MONOSTB MULTIVIB X 2	133593
R128	RES MF 2K 1% 1/4W	144517	U18	IC 5V 1.5A REGULATOR LOW DROP	133610
R129	RES MF 2K 1% 1/4W	144517	U19	IC REGULATOR 3.3V LOW DROPOUT	133630
R130	RES MF 1K 1% 1/4W	144513	U20	IC 12V REGULATOR LOW DROP	133611
R131	RES MF 1K 1% 1/4W	144513	U21	IC REGULATOR 12V	133590
R132	RES MF 1K 1% 1/4W	144513	U22	IC REGULATOR -12V	133574
R133	RES MF 1K 1% 1/4W	144513	U22	INSULATOR ISOSTRATE TO 220	084133
R134	RES MF 100K 1% 1/4W	144528	U23	SINGLE 2 TO 1 DATA SELECTOR	133551
R135	RES MF 100K 1% 1/4W	144528	U24	D/A CONVERTER 192KHZ	133547
R136	RES MF 10K 1% 1/4W	144504	U25	SINGLE 2 INPUT AND GATE	133502
R137	RES MF 10K 1% 1/4W	144504	U26	SINGLE 2 INPUT AND GATE	133502
R138	RES MF 10K 1% 1/4W	144504	U27	SINGLE 2 INPUT AND GATE	133502
R139	RES MF 10K 1% 1/4W	144504	U28	IC DUAL OPERATIONAL AMPLIFIER	133578
R140	RES MF 10K 1% 1/4W	144504	U29	IC DUAL OPERATIONAL AMPLIFIER	133578
R141	RES MF 10K 1% 1/4W	144504	U30	IC DUAL OPERATIONAL AMPLIFIER	133578
R142	RES MF 47.5K 1% 1/4W	144526	U31	IC DUAL OPERATIONAL AMPLIFIER	133578
R143	RES MF 47.5K 1% 1/4W	144526	U32	IC DUAL OPERATIONAL AMPLIFIER	133578
R144	RES MF 47.5K 1% 1/4W	144526	U33	IC DUAL OPERATIONAL AMPLIFIER	133578
R145	RES MF 47.5K 1% 1/4W	144526	U34	STEREO VOL. CONTROL	133638
R146	RES MF 47.5K 1% 1/4W	144526	U35	IC DUAL OPERATIONAL AMPLIFIER	133578
R147	RES MF 47.5K 1% 1/4W	144526	U36	IC DUAL OPERATIONAL AMPLIFIER	133578
R148	RES MF 221 OHM 1% 1/4W	144559	U37	IC DUAL OPERATIONAL AMPLIFIER	133578
R149	RES MF 221 OHM 1% 1/4W	144559	U38	IC DUAL OPERATIONAL AMPLIFIER	133578
R150	RES MF 221 OHM 1% 1/4W	144559	Y1	RESONATOR CERAMIC 6.0MHZ W/CAP	180072
R151	RES MF 221 OHM 1% 1/4W	144559		SCR MS 4-40 X 1/4 PH PN BLK	400121
R152	RES MF 221 OHM 1% 1/4W	144559		NUT KEP 4-40 CLR	402001
R153	RES MF 221 OHM 1% 1/4W	144559		ASSY INSERTION PCB MAIN	702135
R154	RES MF 47.5K 1% 1/4W	144526		ASSEMBLY PCB MAIN SM PARTS	750317
R155	RES MF 47.5K 1% 1/4W	144526		PC BD MAIN	129691
R156	RES MF 47.5K 1% 1/4W	144526		PURCHASED LABOR SURFACE MOUNT	750317PL
R157	RES MF 47.5K 1% 1/4W	144526			
R158	RES MF 47.5K 1% 1/4W	144526			
R159	RES MF 47.5K 1% 1/4W	144526			
R160	RES MF 10 OHM 1% 1/4W	144553			
R161	RES MF 10 OHM 1% 1/4W	144553			
R162	RES MF 10 OHM 1% 1/4W	144553			
R163	RES MF 10 OHM 1% 1/4W	144553			
R164	RES MF 4.75K 1% 1/4W	144520			
R165	RES MF 4.75K 1% 1/4W	144520			
R166	RES MF 4.75K 1% 1/4W	144520			
R167	RES MF 4.75K 1% 1/4W	144520			
R168	RES MF 10 OHM 1% 1/4W	144553			
R169	RES MF 10 OHM 1% 1/4W	144553			
R170	RES MF 10 OHM 1% 1/4W	144553			
R171	RES MF 10 OHM 1% 1/4W	144553			
R172	RES MF 100 OHM 1% 1/4W	144568			
R173	RES MF 100 OHM 1% 1/4W	144568			
T1	TRANSFORMER DIGITAL INTERFACE	159351			

## 4 DISPLAY PCB 750294

C1	CAP ELECT 47UF 16V	066380
C2	CAP MONO .1UF 50V 20% Z5U	061346
C3	CAP MONO .01UF 50V 20% X7R	061345
C4	CAP MONO .01UF 50V 20% X7R	061345
C5	CAP MONO .01UF 50V 20% X7R	061345
C6	CAP MONO .01UF 50V 20% X7R	061345
C7	CAP MONO .01UF 50V 20% X7R	061345
C8	CAP MONO .01UF 50V 20% X7R	061345
C9	CAP MONO .01UF 50V 20% X7R	061345
C10	CAP MONO .01UF 50V 20% X7R	061345
C11	CAP MONO .1UF 50V 20% Z5U	061346
C12	CAP ELECT 10UF 50V LOW ESR	066437
C13	CAP MONO .1UF 50V 20% Z5U	061346
C14	CAP ELECT 47UF 16V	066380
C16	CAP MONO 33PF 200V 5% NPO	061347
C18	CAP ELECT 10UF 16V	066580

# PARTS LIST *con't*

## DISPLAY PCB 750294 (cont'd)

Ref No.	Description	Part No.
DS1	LED SQUARE RED	058109
DS2	LED GRN 5MM HI-INTENSITY	058165
DS3	LED GRN 5MM HI-INTENSITY	058165
DS4	LED SQUARE RED	058109
DS5	DVD/CD PLAYER VF DISPLAY	058169
J1	CONN 23 PIN FFC	117906
J2	CONN 8 PIN FFC	117915
L1	CHOKER 18UH 5%-10%	122394
L2	BEADS FERRITE LEADED	076023
L3	BEADS FERRITE LEADED	076023
	TAPE FOAM 3/16 THK 1 X 1 WHITE	094453
	SPACER LED	112108
MT1	SENSOR IR 38KHZ	121046
PCB1	PC BD DISPLAY	129715
R1	RES MF 2.21K 1% 1/4W	144584
R2	RES MF 100 OHM 1% 1/4W	144568
R3	RES MF 2.21K 1% 1/4W	144584
R4	RES MF 100 OHM 1% 1/4W	144568
R5	RES MF 2.21K 1% 1/4W	144584
R6	RES MF 332 OHM 1% 1/4W	144646
R7	RES MF 2.21K 1% 1/4W	144584
R8	RES NET 10K X 8 RES BUSSED	144675
R9	RES MF 10K 1% 1/4W	144504
R10	RES MF 10K 1% 1/4W	144504
R12	RES MF 10K 1% 1/4W	144504
R13	RES MF 10K 1% 1/4W	144504
R14	RES MF 10K 1% 1/4W	144504
R15	RES MF 10 OHM 1% 1/4W	144553
S1	SWITCH TACT	150058
S2	SWITCH TACT	150058
S3	SWITCH TACT	150058
S4	SWITCH TACT	150058
S5	SWITCH TACT	150058
S6	SWITCH TACT	150058
S7	SWITCH TACT	150058

Ref No.	Description	Part No.
S8	SWITCH TACT	150058
S9	SWITCH TACT	150058
U1	DECIMAL TO BCD ENCODER	133454
U3	DOT MATRIX VFD DRIVER	133642
	LED SPACER .220 LENGTH	163001
	ASSY INSERTION PCB DISPLAY	702134

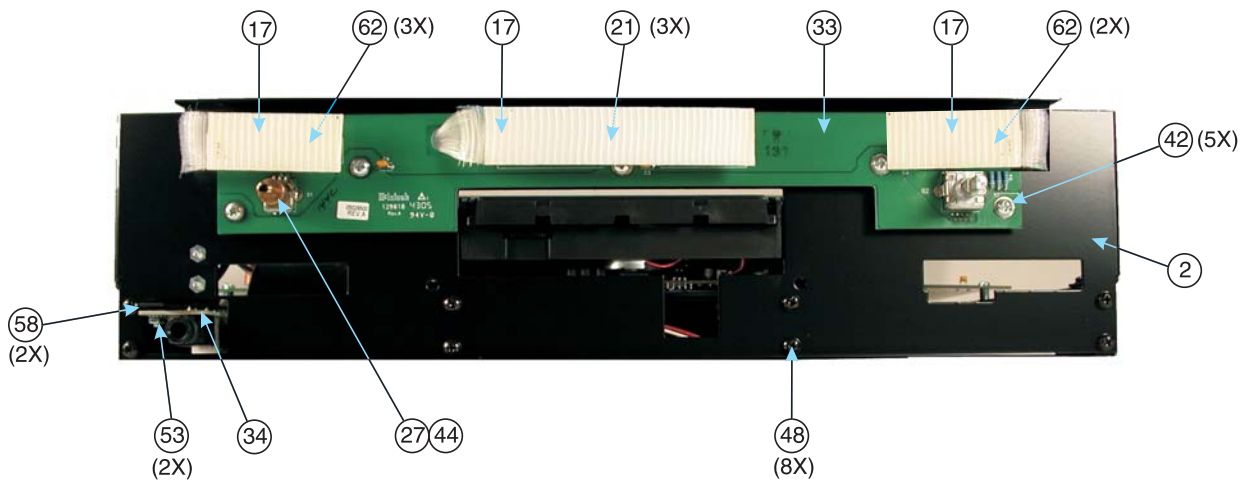
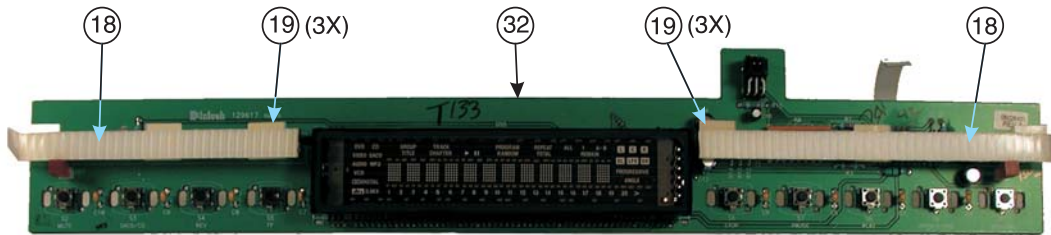
## 5 CONTROL PCB 750295

Ref No.	Description	Part No.
C2	CAP MONO .1UF 50V 20% Z5U	061346
C3	CAP MONO .1UF 50V 20% Z5U	061346
C4	CAP MONO .1UF 50V 20% Z5U	061346
DS1	LED GRN 5MM HI-INTENSITY	058165
(DS1)	SPACER LED	112108
DS2	LED GRN 5MM HI-INTENSITY	058165
(DS2)	SPACER LED	112108
DS3	LED GRN 5MM HI-INTENSITY	058165
(DS3)	SPACER LED	112108
J1	CONN 8 PIN FFC	117915
PCB1	PC BD CONTROL	129716
R1	RES MF 100 OHM 1% 1/4W	144568
R2	RES MF 100 OHM 1% 1/4W	144568
R4	RES MF 100 OHM 1% 1/4W	144568
S2	SWITCH ROT ENCODER NO DETENT	146256
S1	ENCODER 11MM SELF-RETURN TYPE	146257

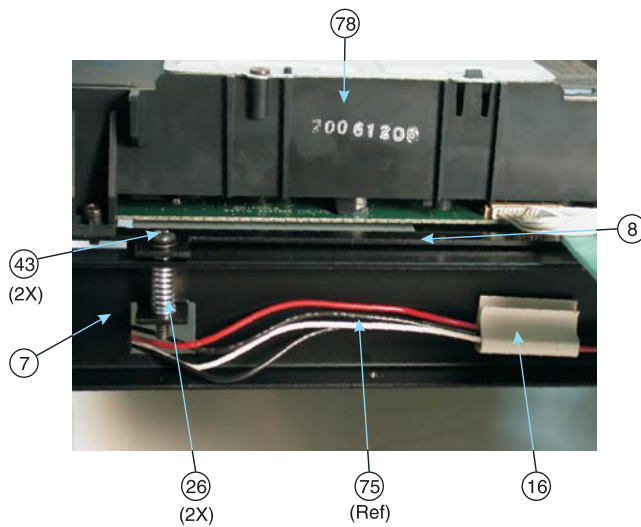
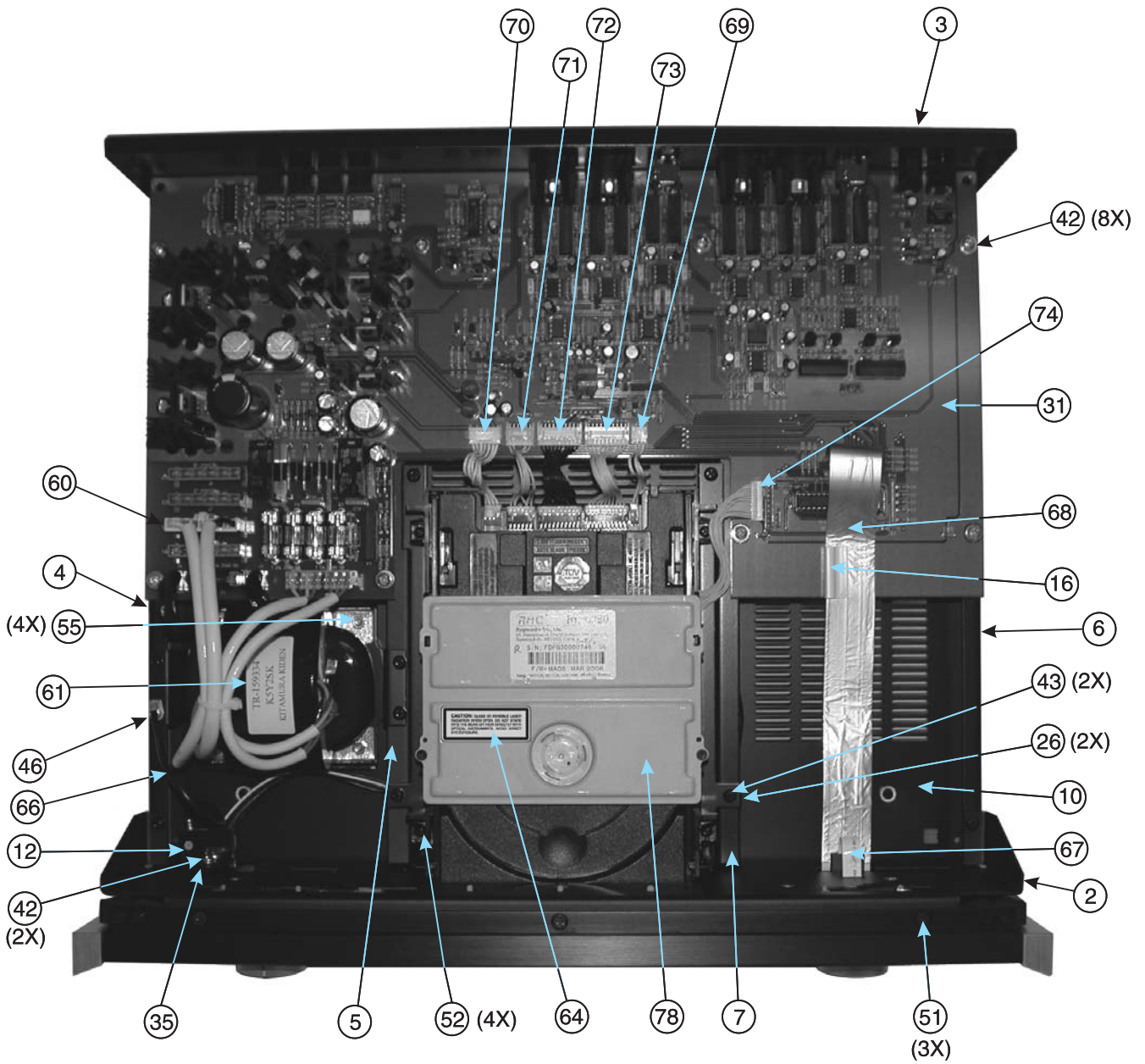
## 6 HEADPHONE PCB 750296

Ref No.	Description	Part No.
C1	CAP MONO .1UF 50V 20% Z5U	061346
J1	HEADPHONE JACK 1/4"	117881
J2	CONN 4 PIN	117215
	PC BD HEADPHONE	129717

# ASSEMBLY VIEW

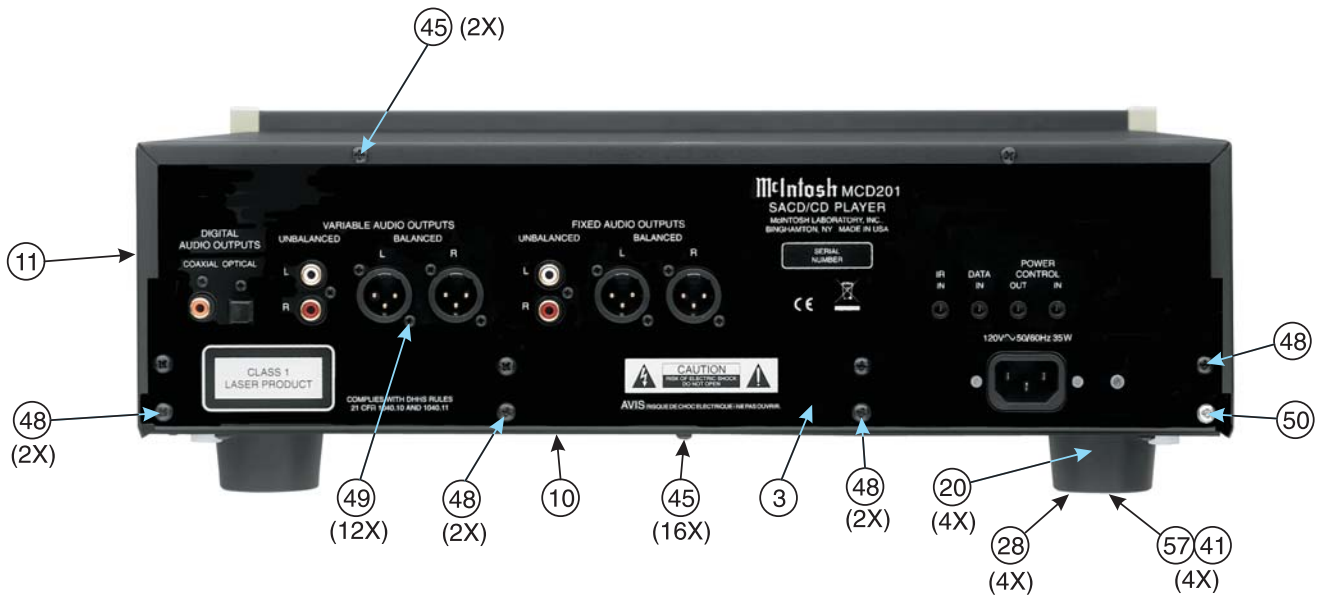
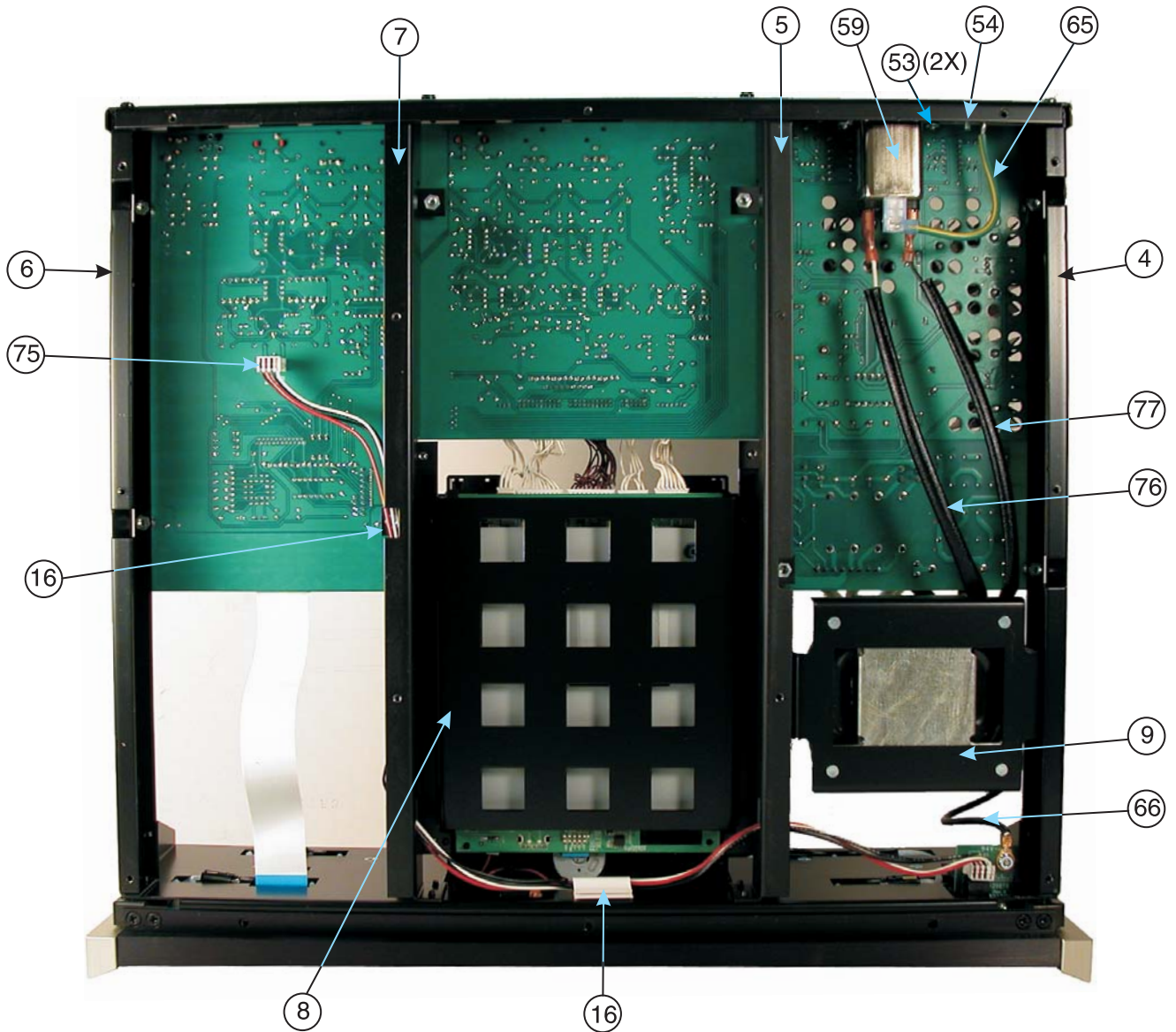


# ASSEMBLY VIEW *con't*





# ASSEMBLY VIEW *con't*



# ASSEMBLY *Parts List*

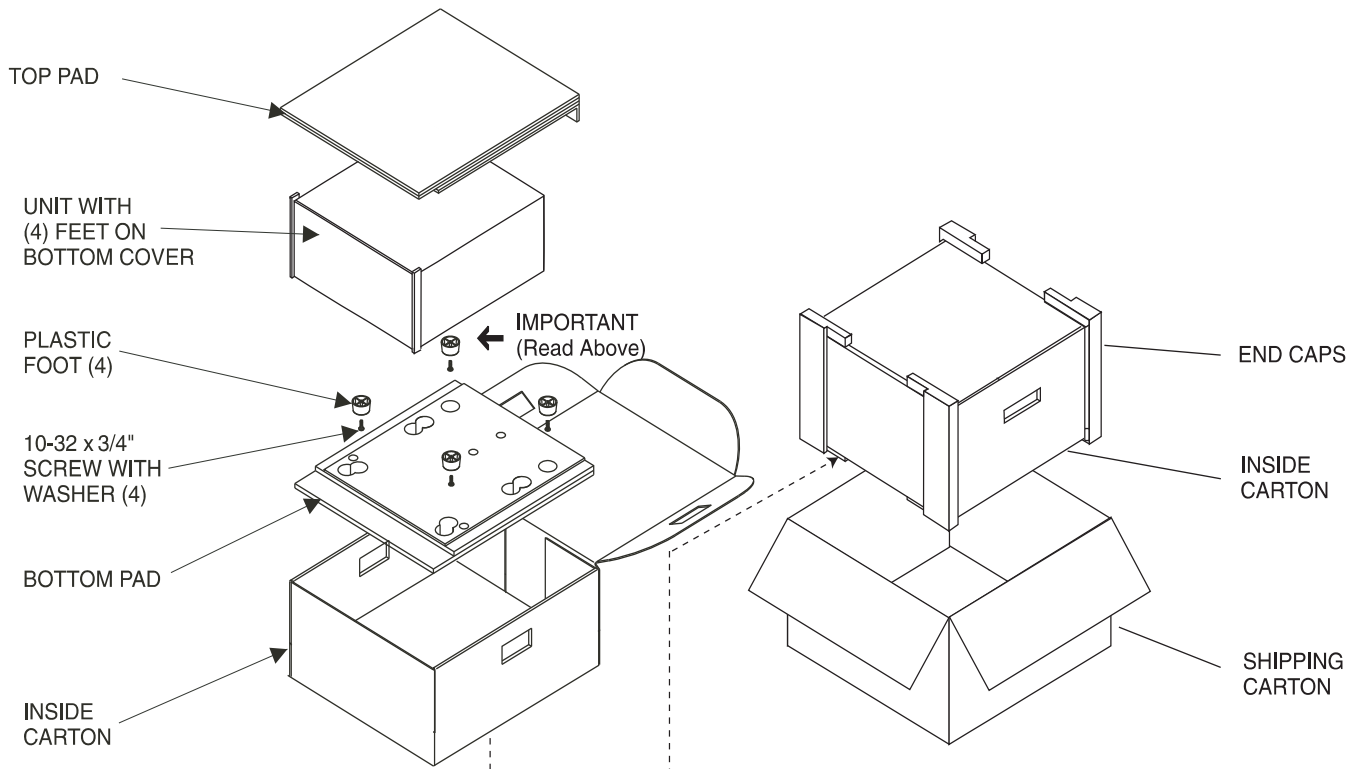
Ref #	P/N	Qty	Description	Ref #	P/N	Qty	Description
1	005090	2	BRACKET EXTRUSION	41	400159	4	SCREW MACH 10-32X3/4 PH PN BLK
2	005582	1	FAB SUBPANEL	42	400250	15	SCREW MACH SEMS 6-32X1/4 PH PN
3	005666	1	FAB PANEL REAR	43	400300	2	SCREW MACH SEMS 6-32X1 PH PAN
4	005585	1	FAB SIDE LEFT	44	100378	1	SCR MACH 2-56X1/8 PH PAN BRASS
5	005586	1	FAB BRACKET LEFT	45	401054	18	SCREW TAPTT 6-32X1/4 PH PN BLK
6	005587	1	FAB SIDE RIGHT	46	401058	1	SCREW TAP 6-32X1/4 PHIL PAN
7	005588	1	FAB BRACKET RIGHT	47	401078	4	SCREW TAP 8-32X5/16 PH PN BLK
8	005589	1	FAB CD TRAY	48	401196	22	SCREW TAP SEMS 6-32X1/4 PH PAN
9	005590	1	FAB TRANSFORMER TRAY	49	101197	12	SCREW HI/LO 4-24X3/8 PH RD BLK
10	005591	1	FAB BOTTOM COVER	50	401222	1	SCREW TT SEMS 6-32X1/4 PH PAN
11	005592	1	FAB TOP COVER	51	401232	3	SCREW 6-32 X 1/4 PHIL FLAT
12	005686	1	FAB BRACKET HEADPHONE	52	401249	4	SCREW TAPTT M3X8MM PH PAN BLK
13	016534	1	GLASS MCD201	53	402001	4	NUT KEP 4-40 ZINC PLATE
14	017517	8	PUSHBUTTON ASSY	54	402003	1	NUT MACH 6-32 SELF-LOCK
15	017531	1	PUSHBUTTON ASSY RED	55	402045	4	NUT KEP 6-32 SPECIAL
16	017687	3	CLAMP CABLE	56	104017	2	WASHER FELT BLK 3/4X1/4X1/16
17	163026	3	LOGO PUSHBUTTON BACKLIGHT	57	404080	4	WASHER FLAT #10 CLEAR ZINC
18	163027	2	TITLE/PUSHBUTTON BACKLIGHT	58	104137	2	WASHER FIBR .125ID .312OD .062
19	017933	6	CIRCUIT BOARD SUPPORT	59	117946	1	RECEPTACLE INPUT & LINE FILTER
20	017937	4	FOOT	60	117889	1	MTA CONNECTOR 8PIN .156
21	017947	3	SUPPORT CIRCUIT BOARD	61	159334	1	TRANSFORMER R-CORE POWER
22	017994	1	BEZEL HEADPHONE JACK 1/4 IN	62	163002	4	SUPPORT CIRCUIT BOARD 1/2 IN
23	018611	2	ENDCAP 5IN	63	163005	1	MOLDING DOOR MCD201
24	018705	1	EXTRUSION TOP	64	166034	1	LABEL INTERNAL LASER WARNING
25	018706	1	EXTRUSION BOTTOM	65	171723	1	CABLE ASSY RECEPTACLE/GND WIRE
26	019056	2	SPRING	66	171724	1	CABLE ASSY CHASSIS GROUND
27	021164	1	BUSHING SWITCH FOR 14625600	67	171546	1	CABLE 8 COND FLAT FLEXIBLE
28	024036	4	FOOT PAD .062	69	171637	1	CABLE ASSY 3 CONDUCTOR 1-ROW
29	749637	1	ASSEMBLY KNOB 34 MTRC W/O IDX	70	171638	1	CABLE ASSY 7 CONDUCTOR 1-ROW
30	749695	1	ASSEMBLY KNOB 34 INDEX METRIC	71	171639	1	CABLE ASSY 6 CONDUCTOR 2-ROW
31	750293	1	ASSY PCB MAIN	72	171640	1	CABLE ASSY 16 CONDUCTOR 2-ROW
32	750294	1	ASSY PCB DISPLAY	73	171641	1	CABLE ASSY 18 CONDUCTOR 2-ROW
33	750295	1	ASSY PCB CONTROL	74	171642	1	CABLE ASSY 14 CONDUCTOR 1-ROW
34	750296	1	ASSY PCB HEADPHONE	75	171741	1	CABLE ASSY HEADPHONE
35	078031	2	GROMMET	76	171669	1	CABLE ASSY AC RECEPT WHT
36	078033	10	O-RING	77	171670	1	CABLE ASSY AC RECEPT BLK
37	094016	33	TAPE FOAM 1/4 X 1/8 IN	78	320231	1	SACD/CD MECHANISM ASSY
38	094360	16	TAPE FOAM 1/2 X 1/2 IN	79	401042	4	SCR TC 4-40X1/2 SLT FLLSTR YEL
39	098113	18	CORD DIAL .027 NATRL BRAID SLK	80	017781	1	BEZEL FRONT
40	400147	8	SCREW MACH 6-32 X 3/16 PHIL				

# REPACKING INSTRUCTIONS

In the event it is necessary to repack the equipment for shipment, the equipment must be packed exactly as shown below. It is very important that the four plastic feet are attached to the bottom of the equipment. This will ensure the proper equipment location on the bottom pad. Failure to do this will result in shipping damage.

Use the original shipping carton and interior parts only if they are all in good serviceable condition. If a shipping carton or any of the interior part(s) are needed, please call or write Customer Service Department of McIntosh Laboratory. Refer to page 4. Please see the Part List for the correct part numbers.

Quantity	Part Number	Description
1	033838	Shipping carton only
4	033837	End cap
1	033836	Inside carton only
1	033725	Top pad
1	034301	Bottom pad
4	017937	Plastic foot
4	400159	#10-32 x 3/4" screw
4	404080	#10-7/16" Flat washer



# MCD201

## SACD / CD PLAYER

### SERVICE MANUAL

SERIAL NO. XD1001 And Above



The continuous improvement of its products is the policy of McIntosh Laboratory Incorporated, who reserve the right to improve design without notice. Because of the constant upgrading of McIntosh products' circuitry and components, the Company cannot insure, and does not warrant, the accuracy of the within schematic material, which is intended for information only.