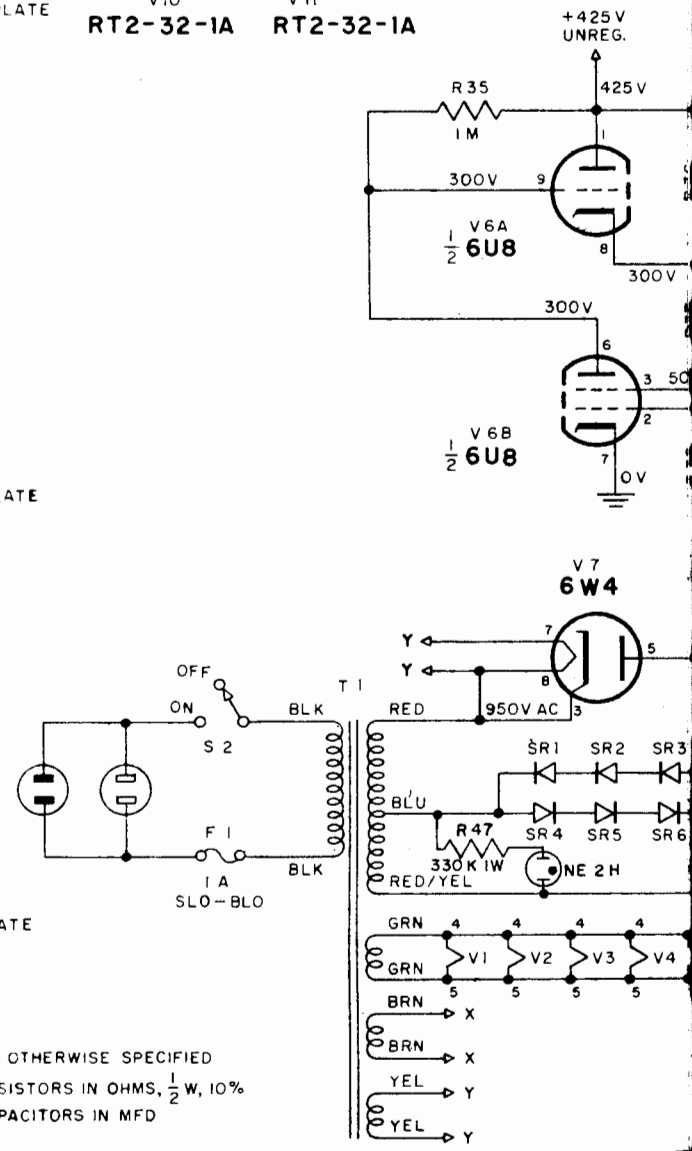
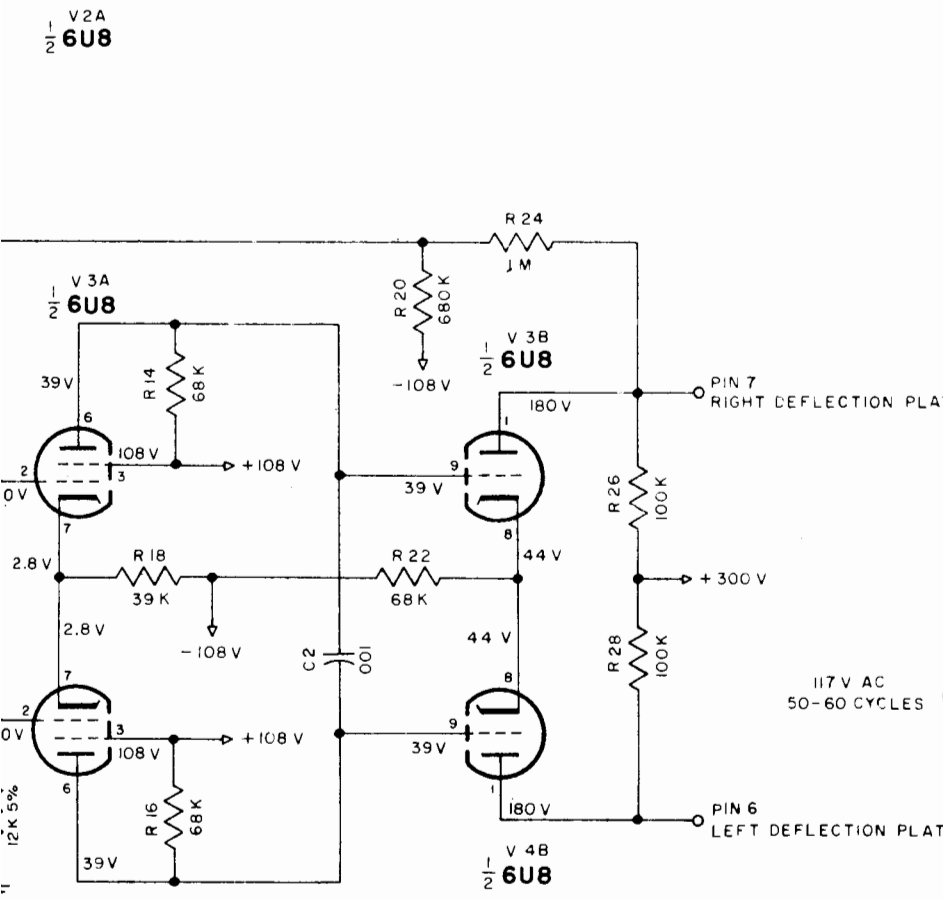
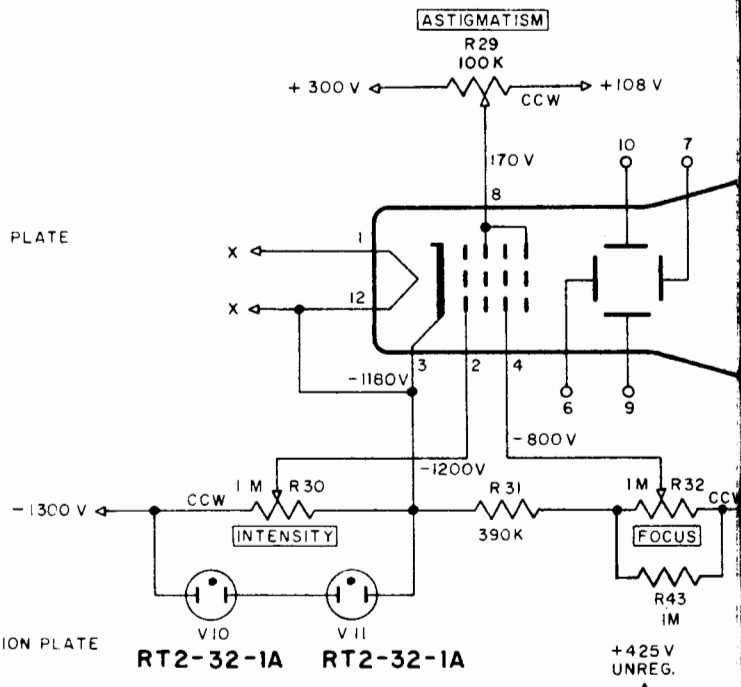
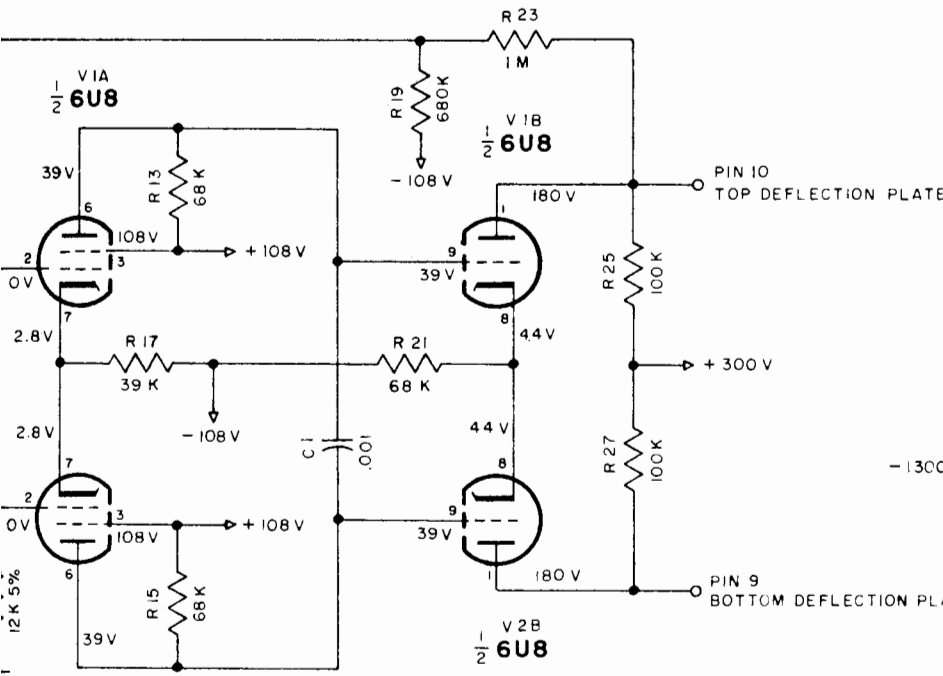




LIFIER



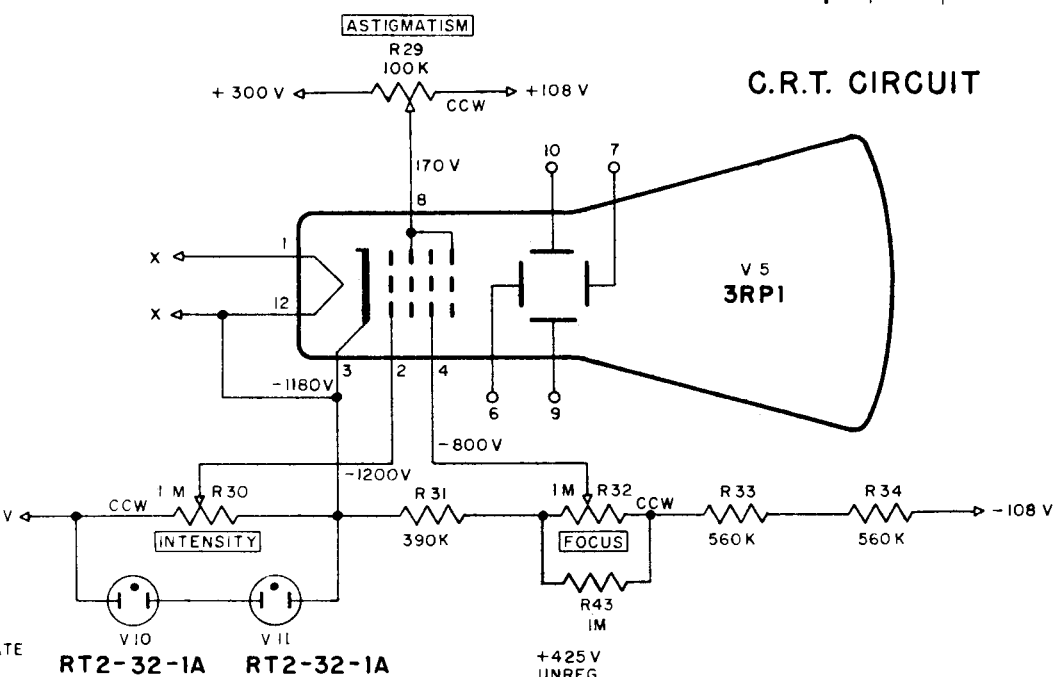
AMPLIFIER

ALL VOLTAGES MEASURED UNDER FOLLOWING CONDITIONS:  
 1- USE OF 11 MEGOHMS INPUT IMPEDANCE VTVM VOLTMETER.  
 2- ALL VOLTAGES  $\pm 10\%$ , WITH RESPECT TO GROUND  
 3- A.C. INPUT AT 117 V 50-60 CPS.  
 4- NO SIGNAL AT INPUT TERMINALS.  
 5- MODE SELECTOR AT TEST POSITION

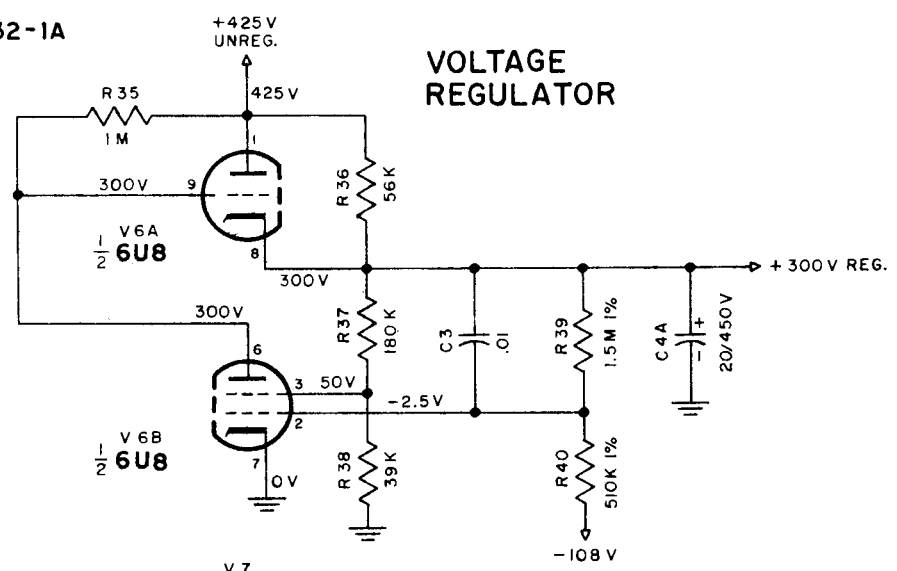
UNLESS OTHERWISE SPECIFIED  
 ALL RESISTORS IN OHMS,  $\frac{1}{2}$  W, 10%  
 ALL CAPACITORS IN MFD  
 S1 SHOWN IN CCW POSITION

REV	C N	REVISION	DATE	BY	CHKD	APPD
A						
B						
C						

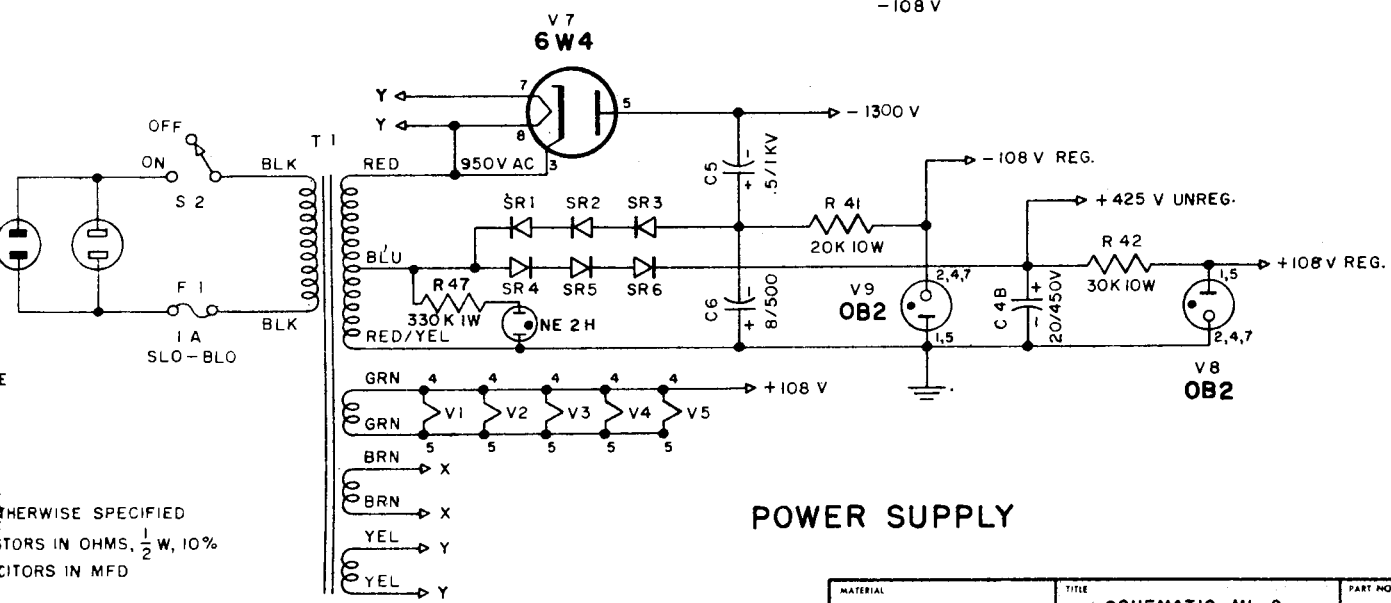
### C.R.T. CIRCUIT



### VOLTAGE REGULATOR



### POWER SUPPLY



UNLESS OTHERWISE SPECIFIED  
 RESISTORS IN OHMS, 1/2 W, 10%  
 CAPACITORS IN MFD  
 ALL SWITCHES IN CCW POSITION

SC 141-118  
 DWG NO  
 REV

MATERIAL	TITLE	PART NO
FINISH	SCHEMATIC, MI-2	USED ON
TOLERANCES - Unless otherwise specified - 1/2" Angles - 3/16 Fractions - .005 Decimals	McIntosh LABORATORY INC. 2 Chambers St. Binghamton, N. Y.	DWG NO
SCALE	DATE 3.8.63	REV
DRN BY VG	CHKD /	APPD /
		SC 141-118