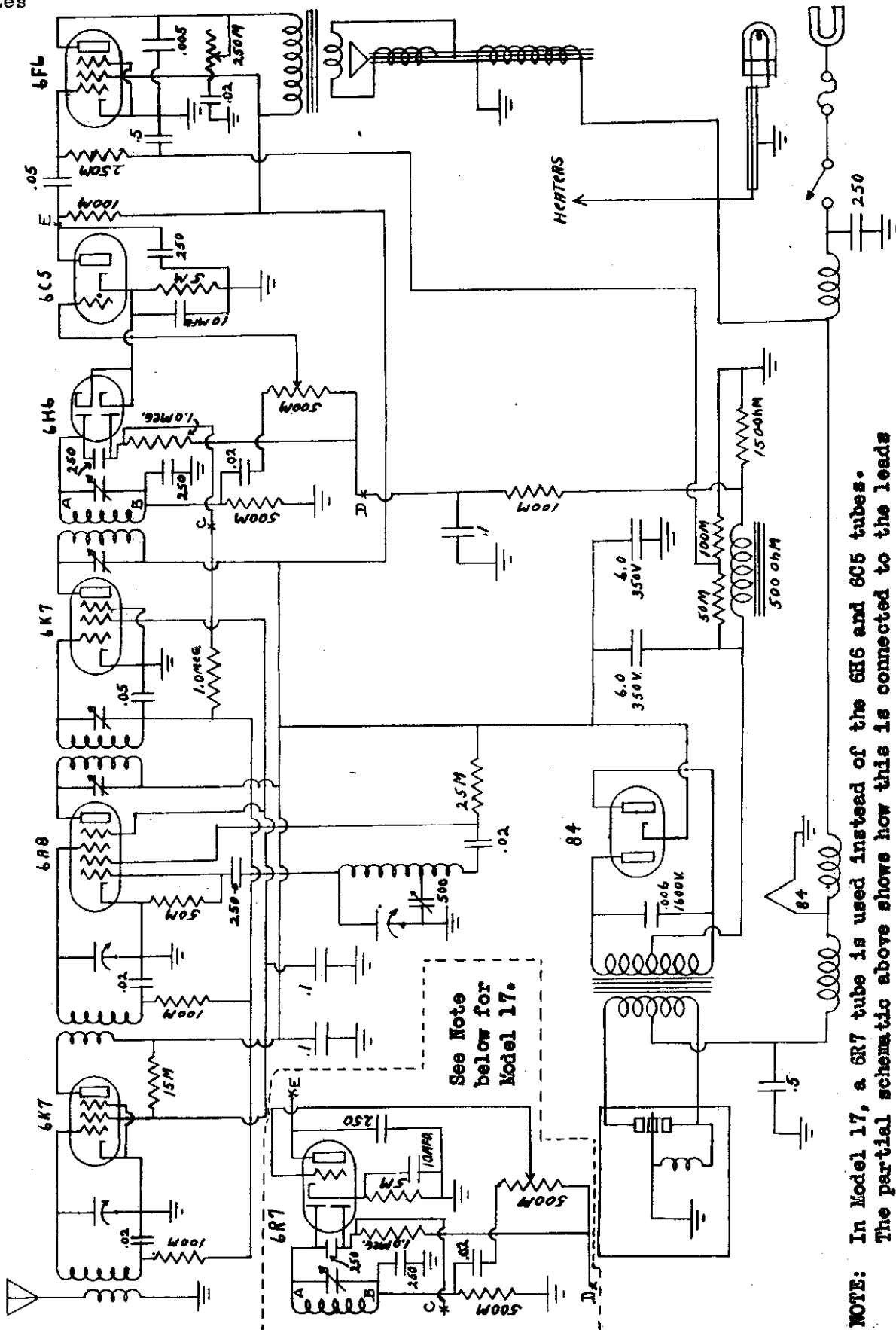


MODELS 17, 18  
Schematic  
Notes

MISSION BELL RADIO MFG. CO., INC.



9-12-36-18 I.F.-262 KC. MODEL #18

**NOTE:** In Model 17, a 6R7 tube is used instead of the 6H6 and 6C5 tubes. The partial schematic above shows how this is connected to the leads with corresponding letters in Model 18. The rest of the circuit is the same.