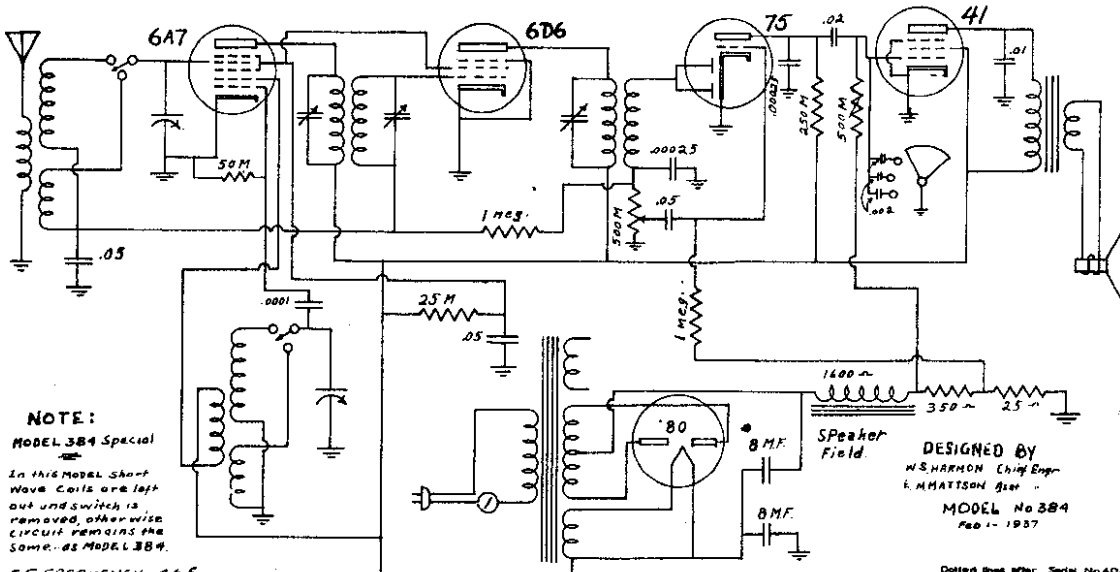


MODEL 3749
Schematics

MISSION-BELL RADIO MFG. CO., INC.

MODEL 384
384 Special
MODEL 386
Above, Below
Serial No. 40461

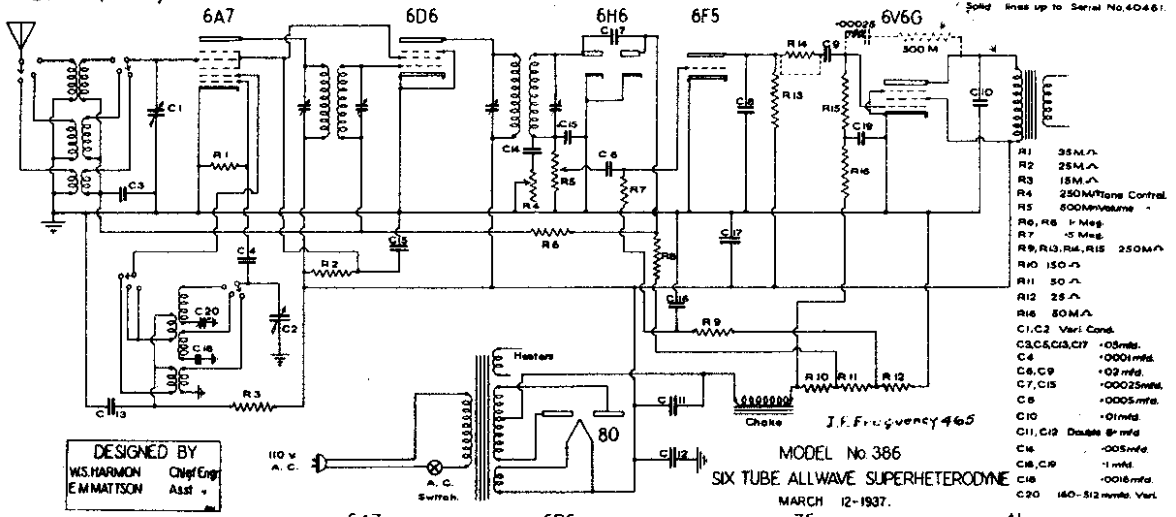


NOTE:
MODEL 384 Special
In this model short wave coils are left out and switch is removed, otherwise circuit remains the same as MODEL 384.

DESIGNED BY
W.S. HARMON Chief Eng.
E.M. MATTSON Asst.
MODEL No 384
Feb 1 - 1937

IF FREQUENCY 465

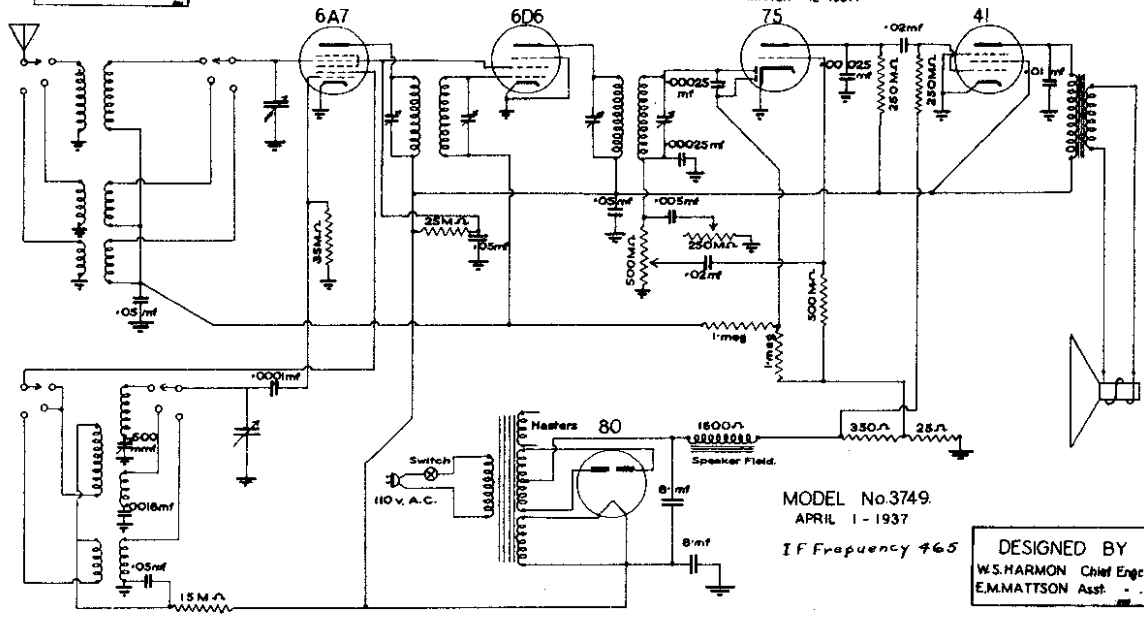
Dotted lines after Serial No. 40462.
Solid lines up to Serial No. 40461.



DESIGNED BY
W.S. HARMON Chief Eng.
E.M. MATTSON Asst.

MODEL No 386
SIX TUBE ALLWAVE SUPERHETERODYNE
MARCH 12-1937.

- R1 35M.Ω
- R2 25M.Ω
- R3 15M.Ω
- R4 250M.Ω Tone Control
- R5 500M.Ω Volume
- R6, R8 1 Meg.
- R7 .5 Meg.
- R9, R13, R14, R15 250M.Ω
- R10 150.Ω
- R11 50.Ω
- R12 25.Ω
- R16 50M.Ω
- C1, C2 Vari. Cond.
- C3, C4, C5, C7 .05mf.
- C4 .0001mf.
- C6, C9 .02mf.
- C7, C15 .00025mf.
- C8 .0005mf.
- C10 .01mf.
- C11, C12 Double 8mf.
- C14 .005mf.
- C18, C19 .1mf.
- C16 .001mf.
- C20 140-512mf. Vari.



MODEL No 3749
APRIL 1 - 1937

DESIGNED BY
W.S. HARMON Chief Eng.
E.M. MATTSON Asst.