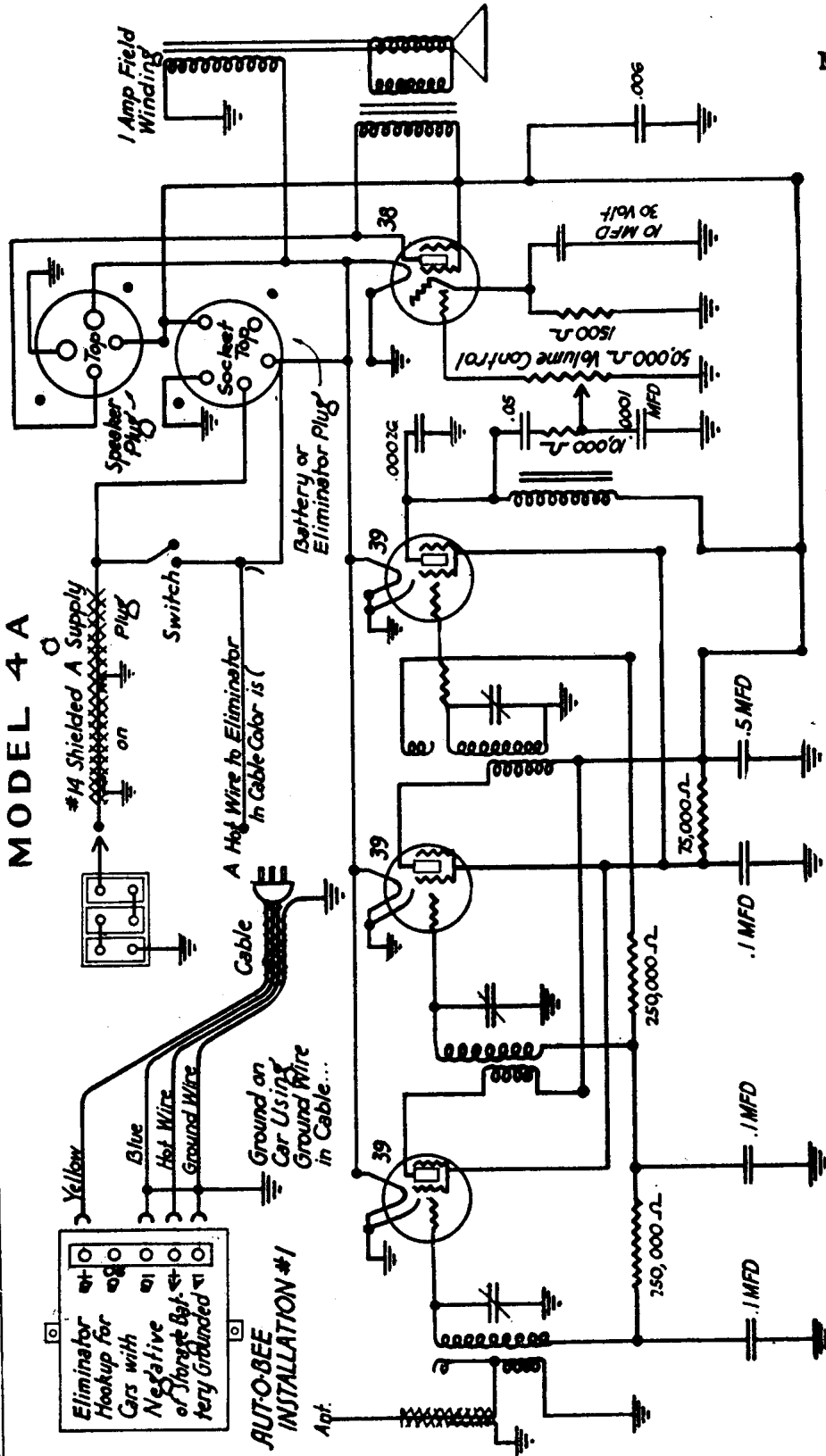


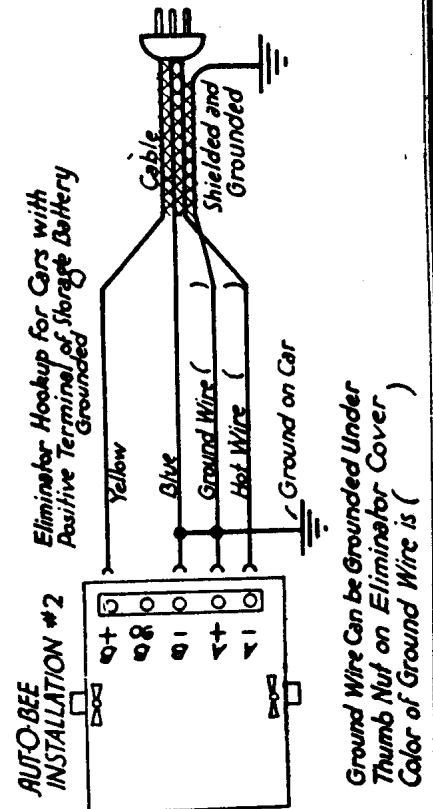
MISSION BELL RADIO MFG. CO., INC.

MODEL 4-A



NOTE. Suppressor grids in type '39 tubes are tied to cathodes.

RF and DET Screen Voltage at No Signal	50
RF Plate Voltage at No Signal	175
DET Plate No Signal	165
38 Plate	170
38 Bias	16
Set Consumption at 175 Volts	20-21 MA



Ground Wire Can be Grounded Under Thumb Nut on Eliminator Cover. Color of Ground Wire is ()

MODEL 4-A

Eliminator Hookup for Cars with Negative of Storage Battery Grounded

AUTO-BEE INSTALLATION #1

AUTO-BEE INSTALLATION #2

Eliminator Hookup for Cars with Positive Terminal of Storage Battery Grounded