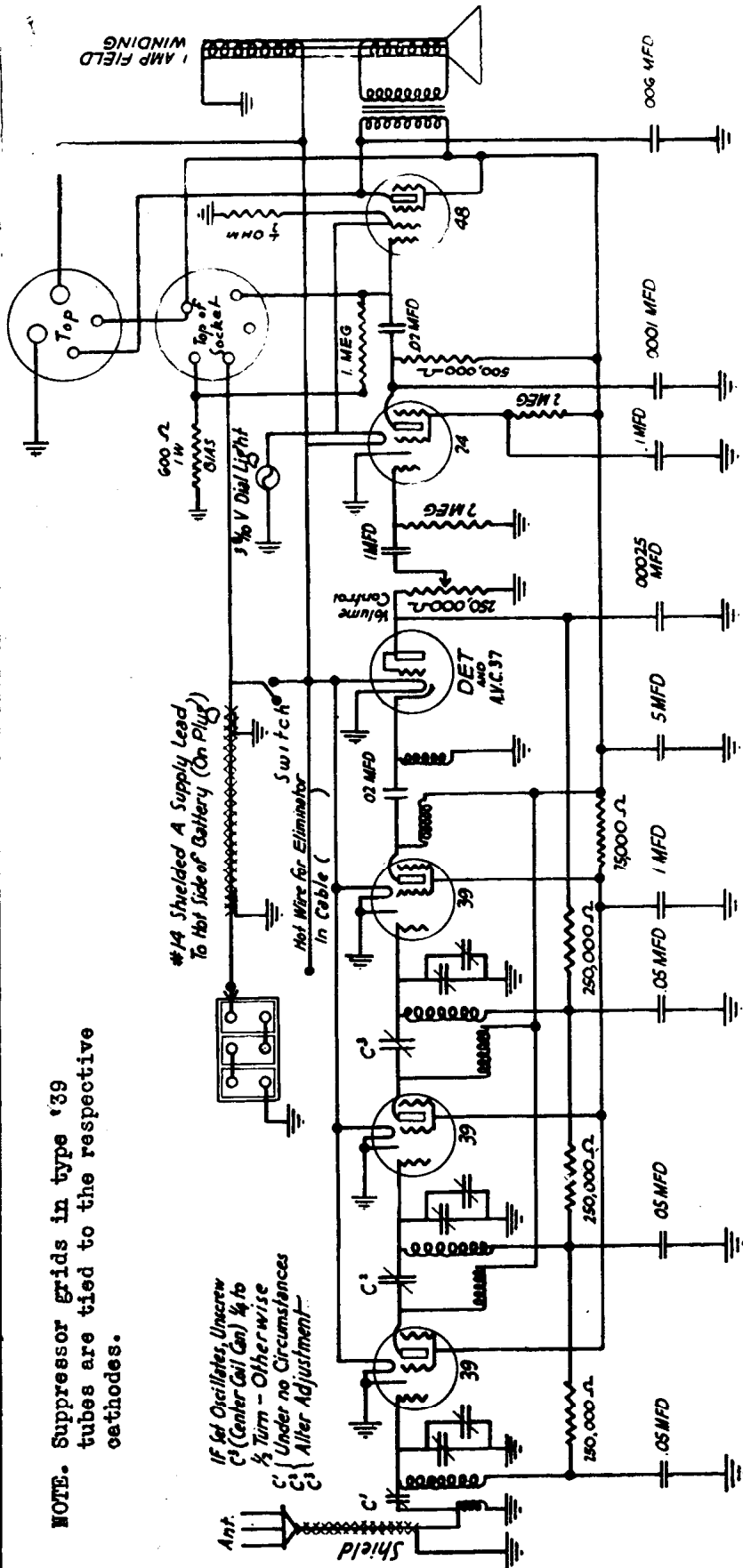


MODEL 6-A

MISSION BELL RADIO MFG CO., INC.



NOTE. Suppressor grids in type '39 tubes are tied to the respective cathodes.

IF Set Oscillates, Uncrew C<sub>1</sub> (Center Coil Can) 1/4 to 1/2 Turn - Other wise C<sub>1</sub> Under no Circumstances C<sub>2</sub> Alter Adjustment

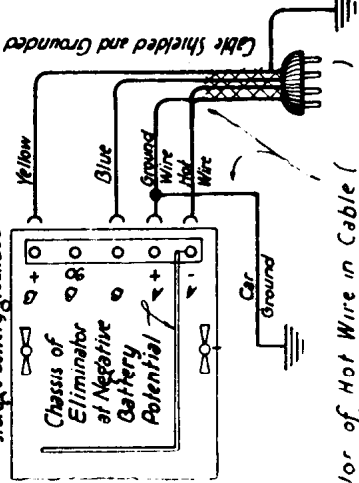
#14 Shielded A Supply Lead To Hot Side of Battery (On Plug)

Hot Wire for Eliminator In Cable ( )

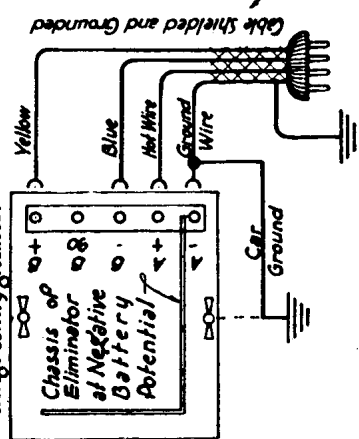
AVERAGE VOLTAGE READINGS AS TAKEN WITH 1000 Ω PER VOLT METER at No. Signal

RF Plate Voltage	70
at No Signal	
1" Audio Plate	30
1" Audio Screen	10
4B Plate to Ground	16.5
4B Bias B-to Ground	11.13
Set Consumption at 180 Volt Output	19-20 MA
AUTO Bee Output B to B	185-190

AUTO-BEE INSTALLATION #2 For cars with positive terminal of storage battery grounded



AUTOBEE INSTALLATION #1 For cars with negative terminal of storage battery grounded



Color of Hot Wire in Cable ( ) for AUTO-BEE Color of Ground Wire in Cable ( )