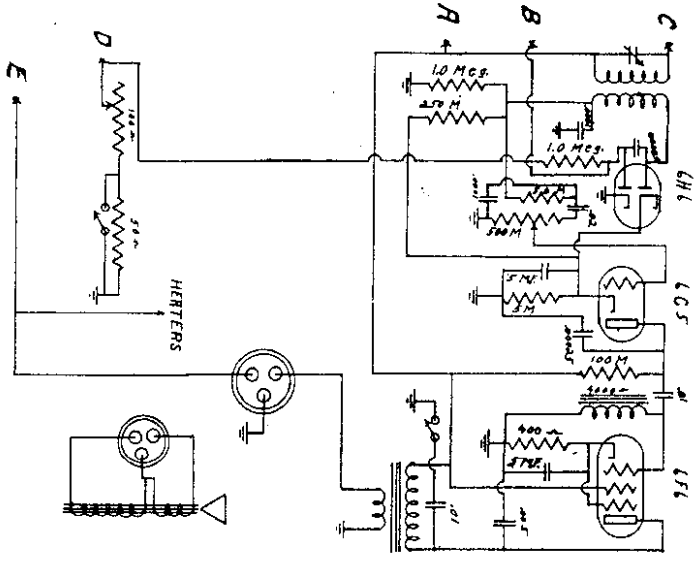
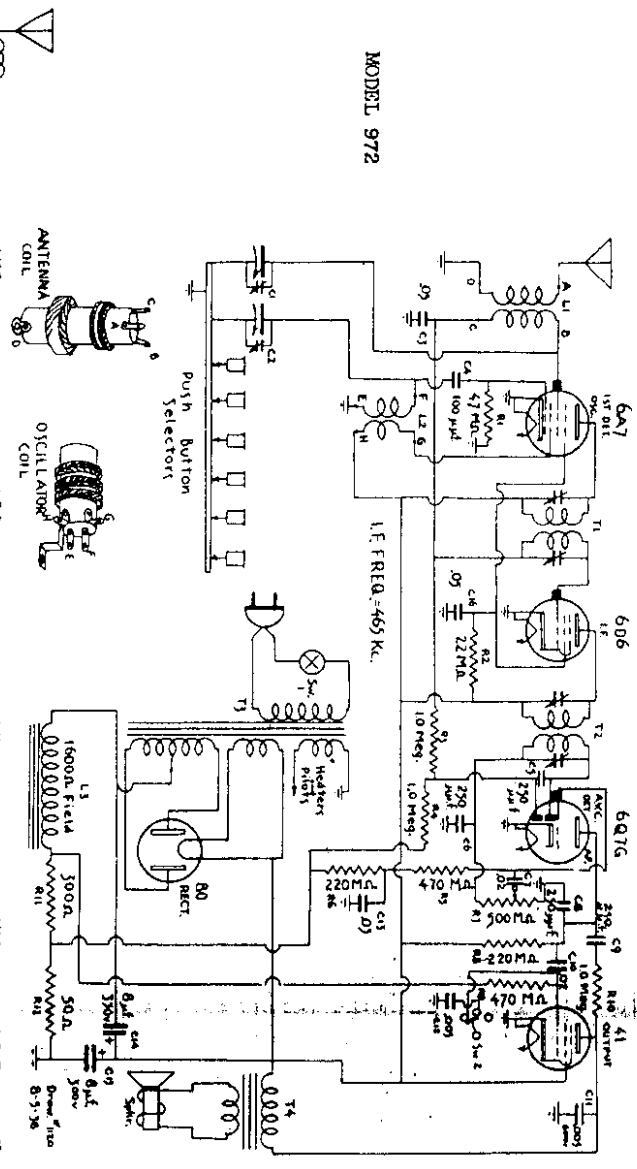


MODEL 972



MODEL No 3820  
 APRIL 10-1937

DESIGNED BY  
 W.S. HARRISON Chief Engr.  
 EMAMANTON Asst. Engr.

PARTIAL SCHEMATIC SHOWING DIFFERENCES BETWEEN  
 MODEL 3818 AND MODEL 3820; FOR BALANCE OF  
 CONNECTIONS FOR MODEL 3820, SEE MODEL 3818  
 ABOVE.

DESIGNED BY  
 W.S. HARRISON Chief Engr.  
 EMAMANTON Asst. Engr.

MODEL No 3818  
 APRIL 10-1937

