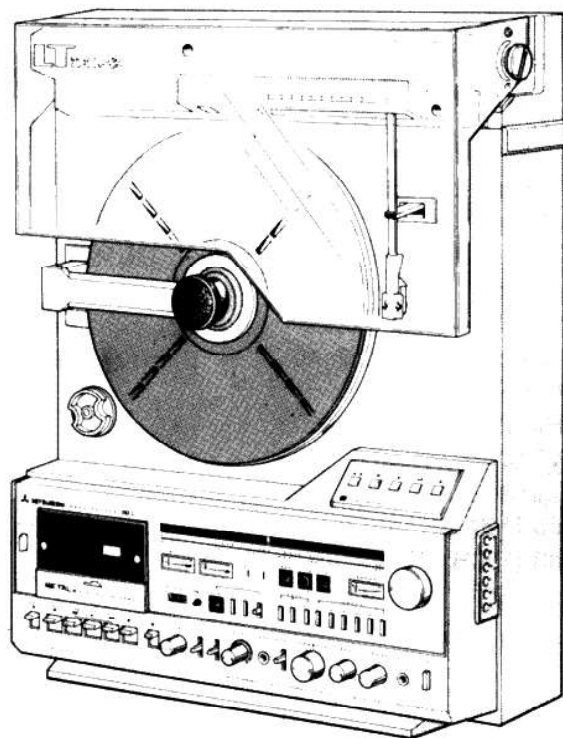
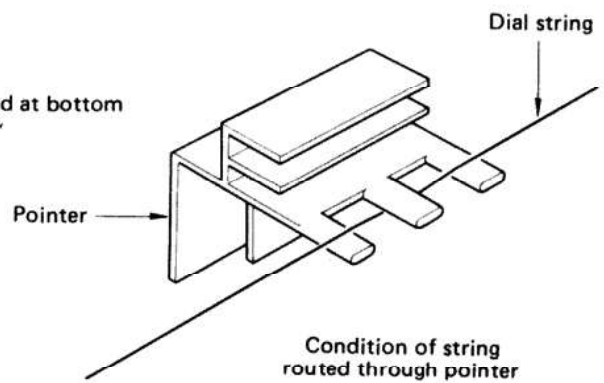
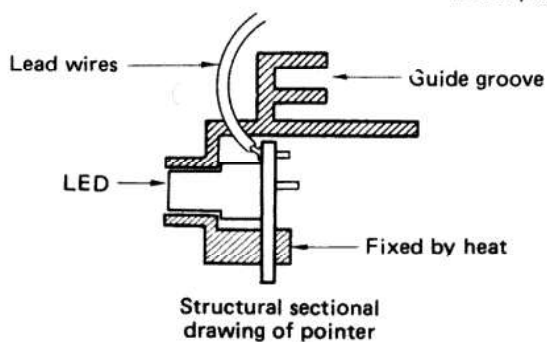
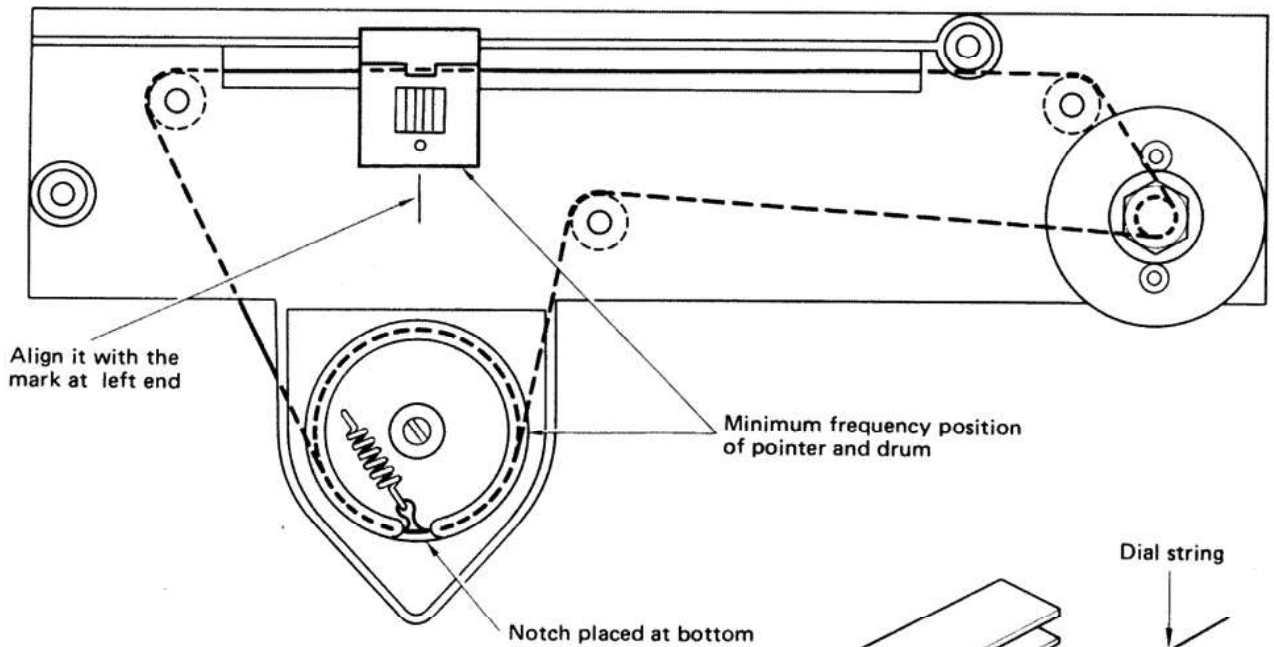
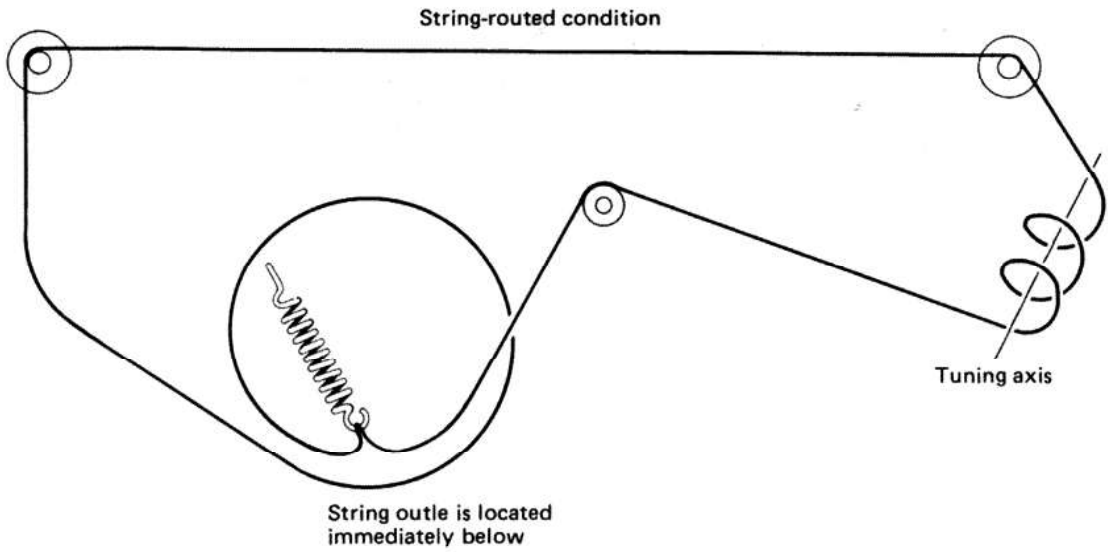
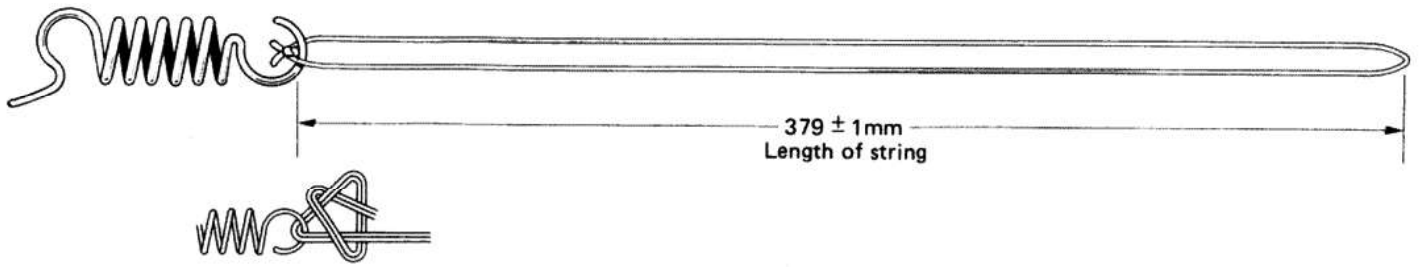


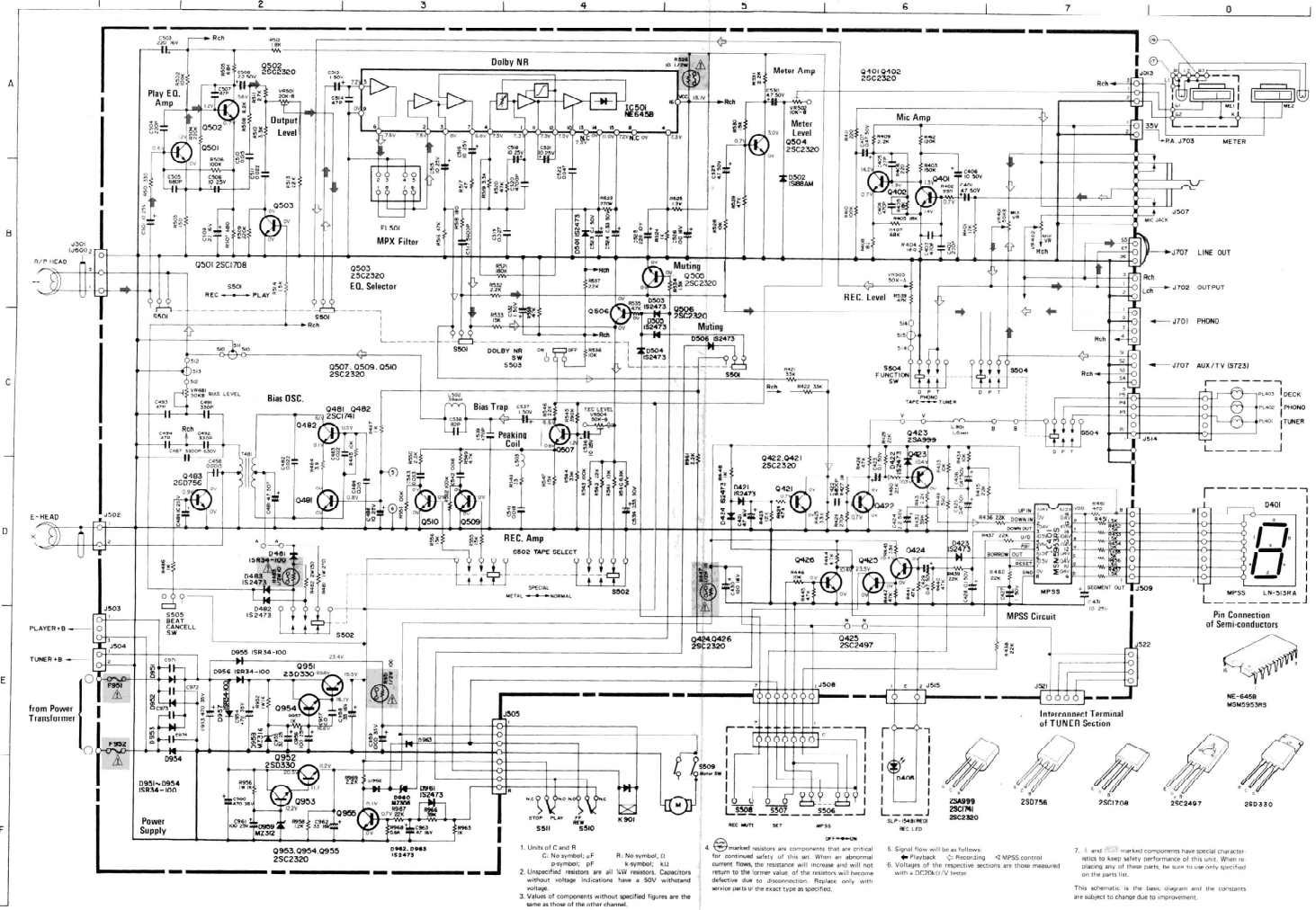
MUSIC CENTRE
MODEL MC-8000



DIAL THREADING



SCHMATIC DIAGRAM . . . Deck Section



1. Units of C and R: C: No symbol, μ F; symbol: k; symbol: M; symbol: μ F; symbol: nF; symbol: pF
2. Unspecified resistors are all 1/2W resistors. Capacitors without voltage indications have a 50V withstand voltage.
3. Values of components without specified figures are the same as those of the other channel.
4. Ⓢ marked resistors are components that are critical for continued safety of this set. When an abnormal current flows, the resistance will increase and will not return to the former value, of the resistors will become defective due to disconnection. Replace only with precise parts or the exact type as specified.
5. Signal flow will be as follows: Ⓢ Playback; Ⓢ Recording; Ⓢ MPSS control
6. Voltages of the respective sections are those measured with a AC/DC 10V meter.
7. Ⓢ and Ⓢ marked components have special characteristics to keep safety performance of this unit. When replacing any of these parts, be sure to use only specified on the parts list.

This schematic is the basic diagram and the constants are subject to change due to improvement.

SCHMATIC DIAGRAM Turntable Section

