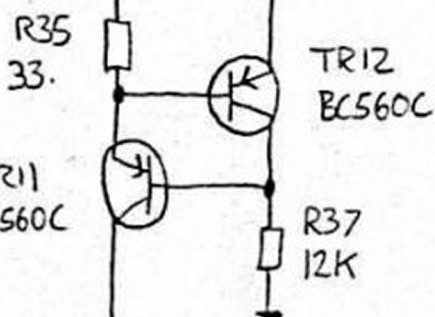


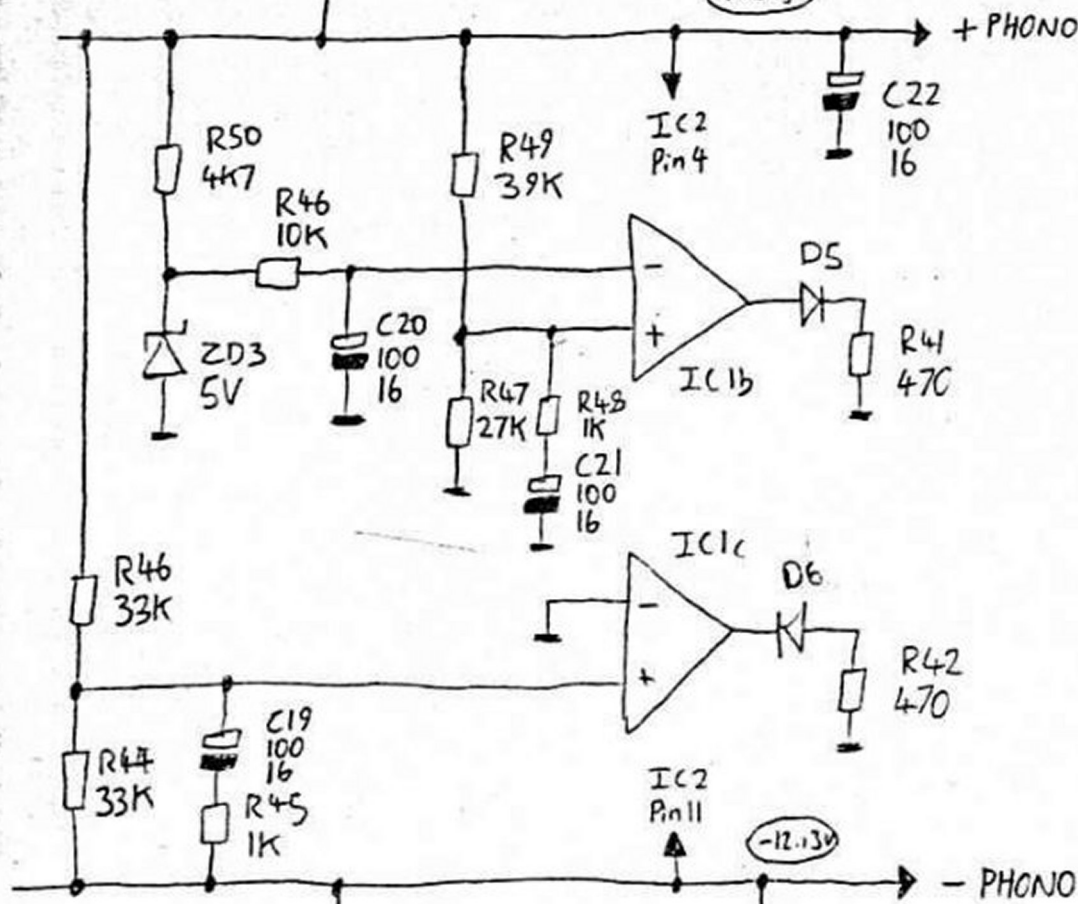
POWER

+24V



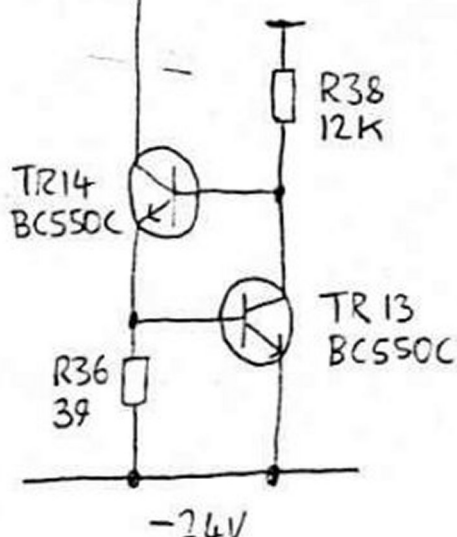
+12.13V

+ PHONO

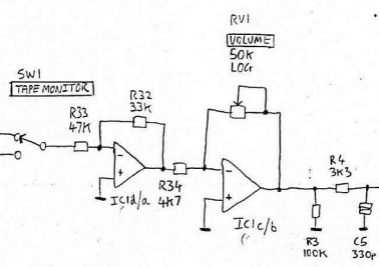
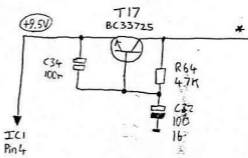


-12.13V

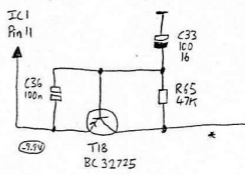
- PHONO



-24V



PRE-AMP



# POWER AMPLIFIER

