

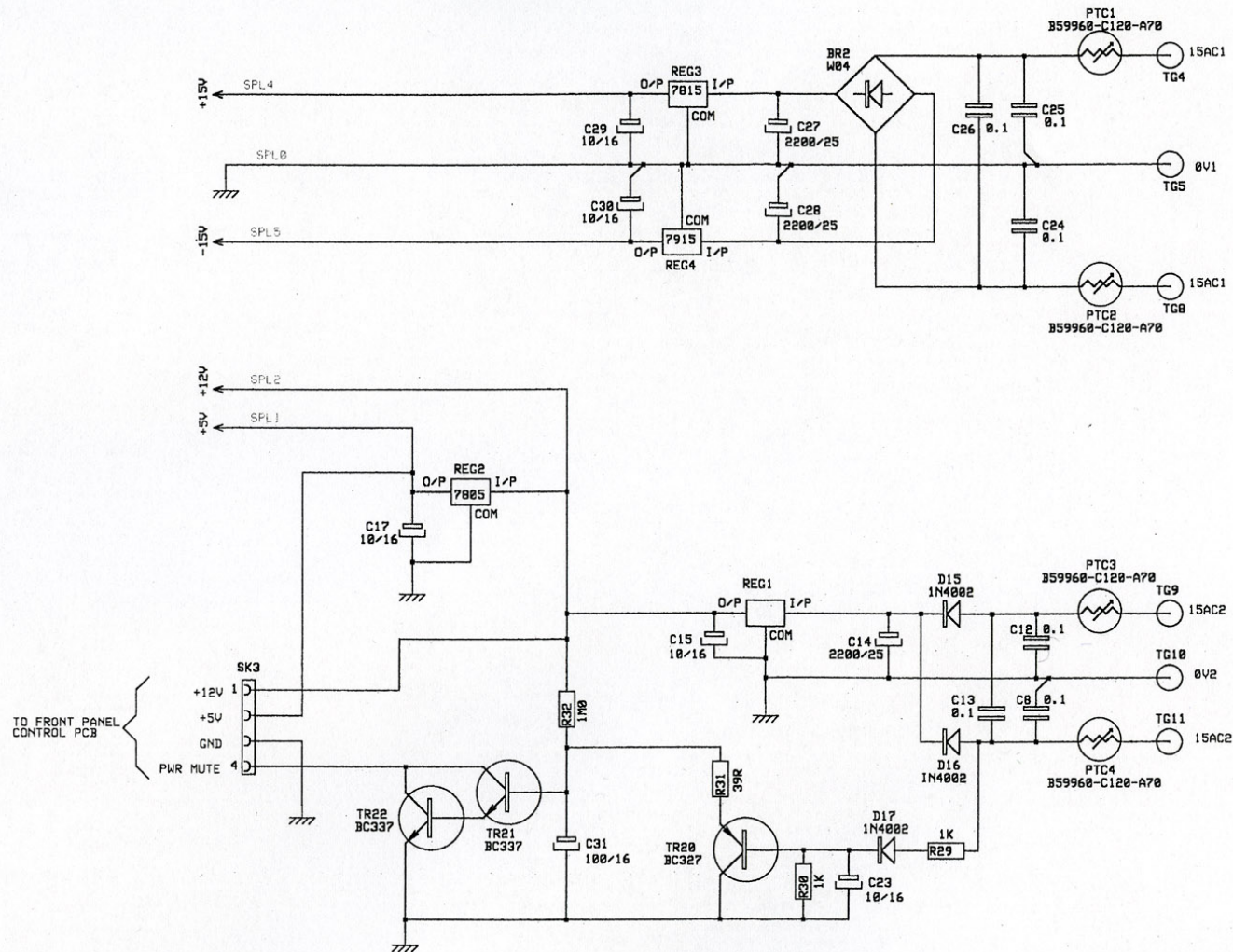
ISSUE 02 R23 & 133 CHANGED FROM 1K TO 470R
 C35 & 135 CHANGED FROM 0.15 TO 0.22
 ISSUE 03 GND CONNECTIONS DELETED FROM RLY6 NC CONTACTS
 ISSUE 04 R57 & R157 CHANGED FROM 47K TO 28K
 ISSUE 05 R37 & 157 CHANGED FROM 28K TO 56K
 R23, R6, 123 & 126 ADDED
 C54 & 154 ADDED
 ISSUE 06 C55 & 155 ADDED

A3 INPUT CIRCUITS

MUSICAL FIDELITY

DATE	ISSUE
11/3/99	01
02/4/99	02
14/3/99	03
11/6/99	04
04/0/00	05

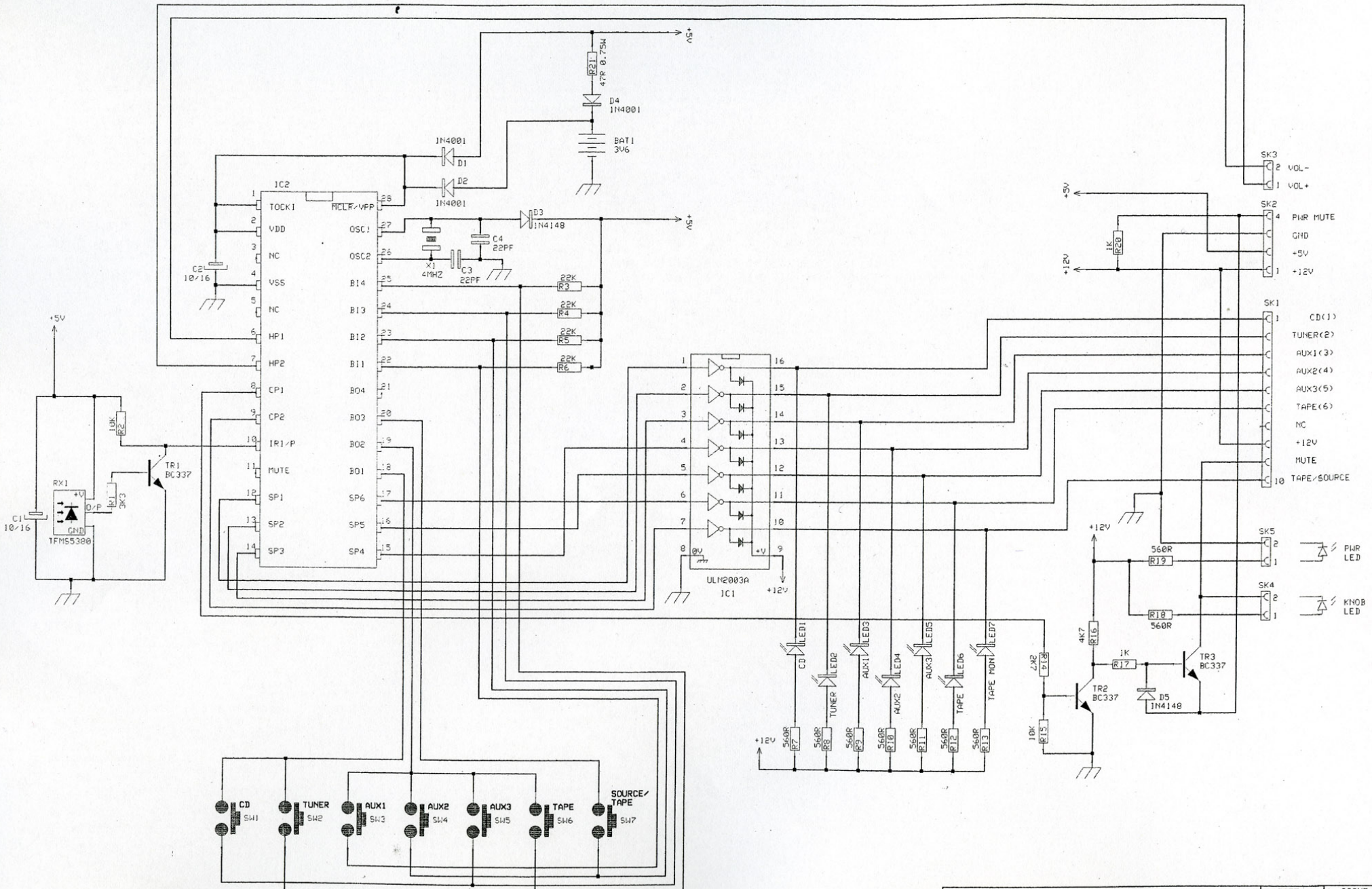
A300



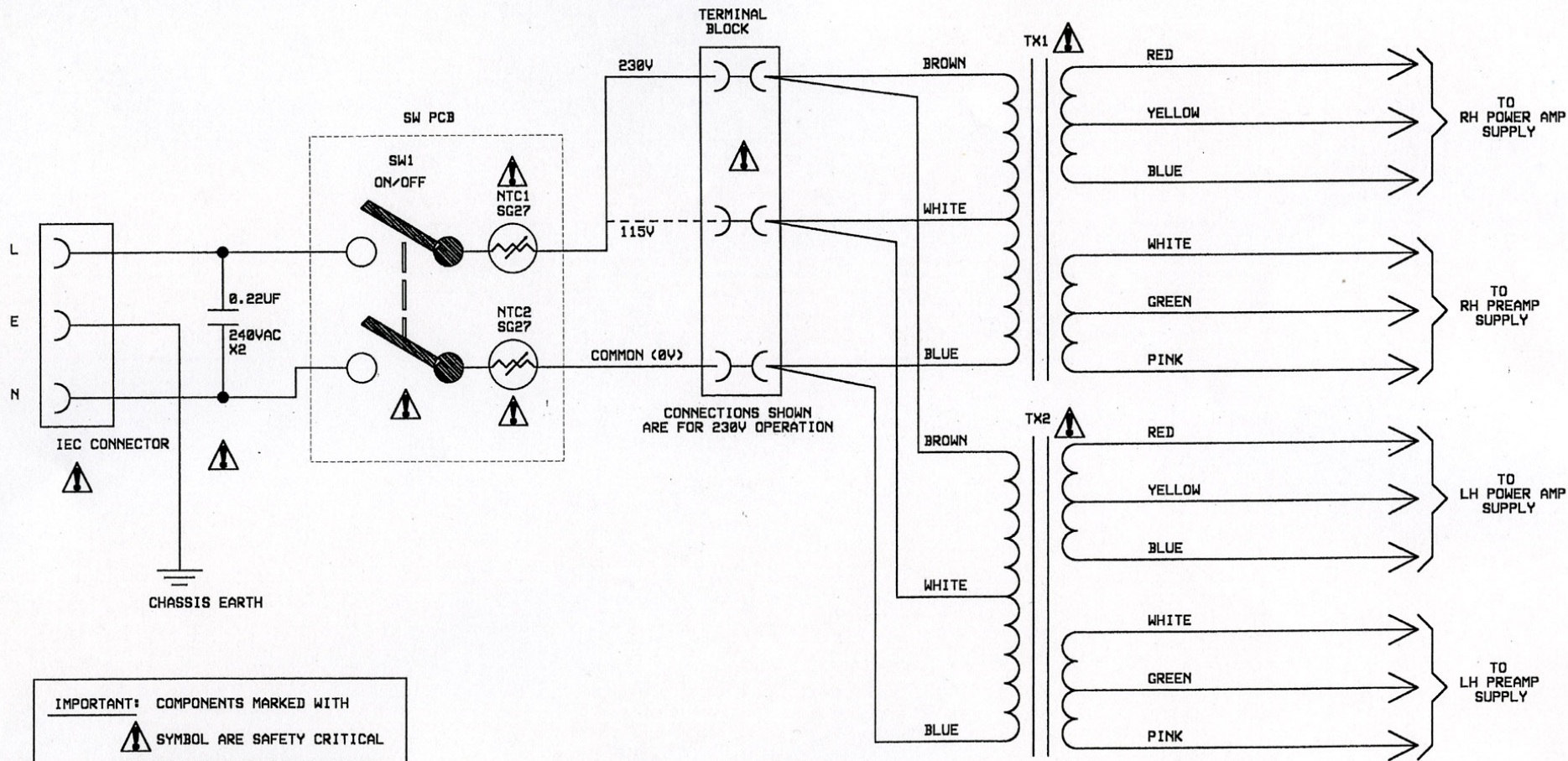
A3 LOW VOLTAGE SUPPLIES
MUSICAL FIDELITY

DATE	ISSUE
11/3/99	01
4/1/00	02

A300



A300



IMPORTANT: COMPONENTS MARKED WITH



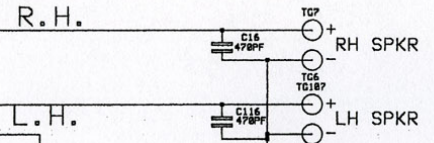
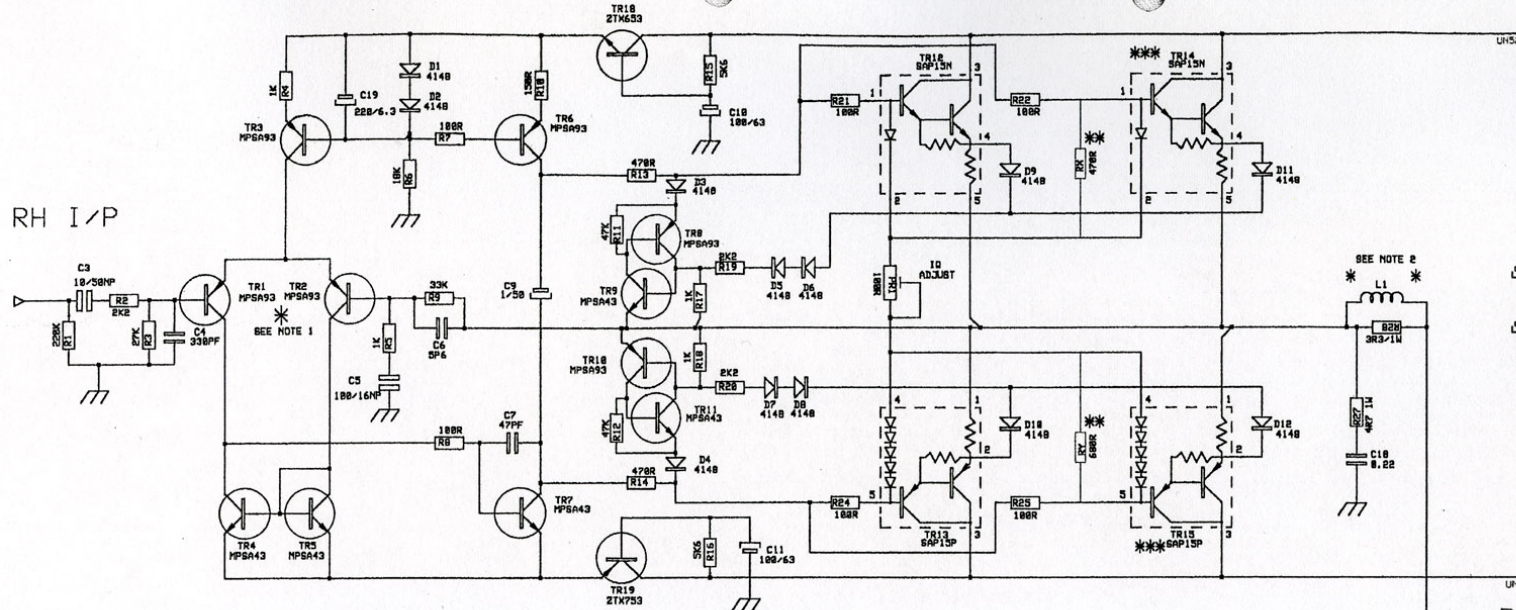
SYMBOL ARE SAFETY CRITICAL
AND MUST ONLY BE REPLACED WITH
ORIGINAL PARTS SUPPLIED
BY THE MANUFACTURER

A300 INTEGRATED AMPLIFIER
MAINS POWER SUPPLY SCHEMATIC
MUSICAL FIDELITY LTD

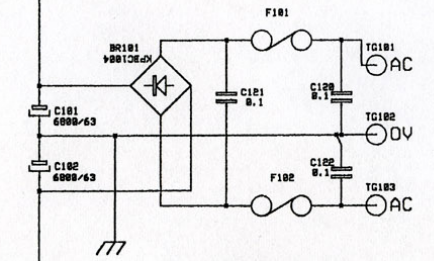
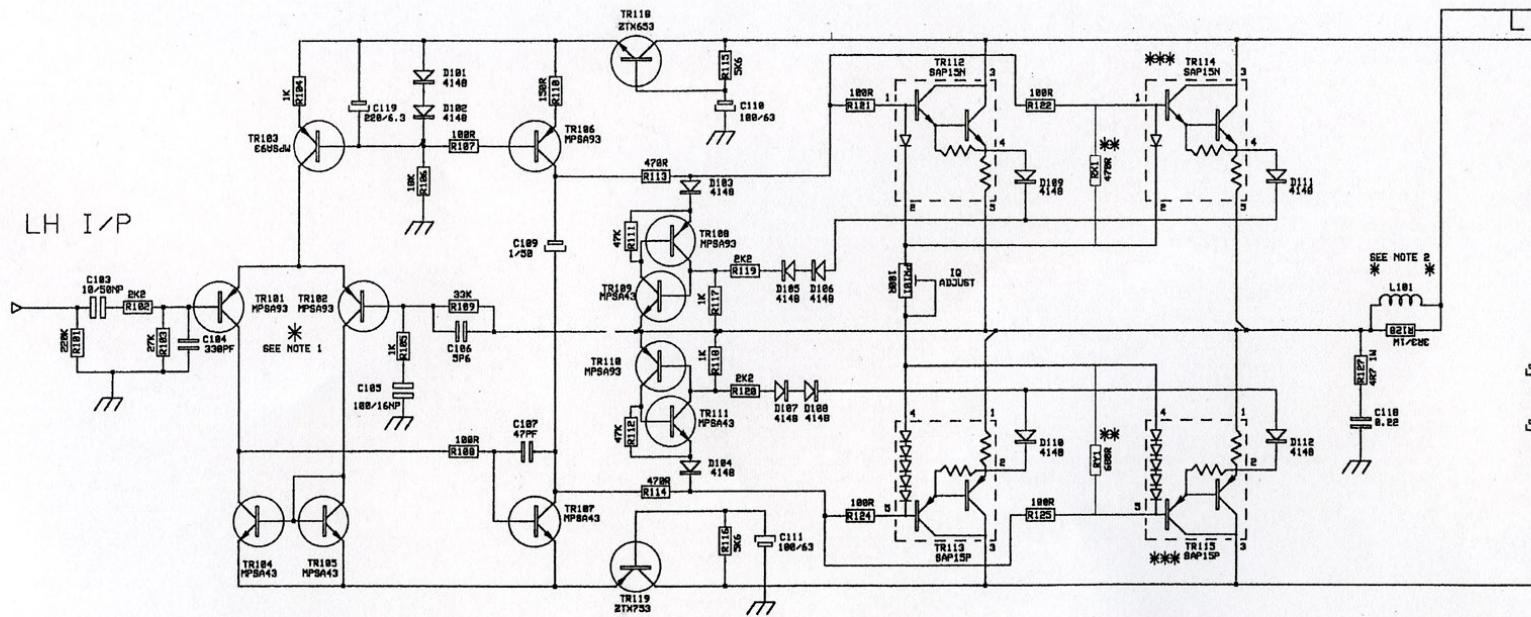
DATE
14/11/99

ISSUE
01

RH I/P



LH I/P



IMPORTANT
FUSES: F1, 2, 101 & 102
A3 MODEL FIT T4AL
A300 MODEL FIT T5AL

* NOTE 1: TR1 & TR2 MUST BE MATCHED FOR HFE < 10% DIFFERENCE

* NOTE 2
L1 = 24 TURNS OF 22SWG (0.71MM DIA) ENAMELLED COPPER WIRE - COIL DIA. 7.5MM COIL TO BE FITTED OVER R28

** R4, R41 & RY, RY1 FITTED TO A3 MODEL ONLY

** TR14, 15, 114 & 115 FITTED TO A300 MODEL ONLY

ISSUE 02
A3 & A300 INFO ADDED

**AX300 INTEGRATED AMPLIFIER
POWER AMPLIFIER STAGES
MUSICAL FIDELITY**

ISSUE	DATE
B1	06/2/99
B2	14/10/99