

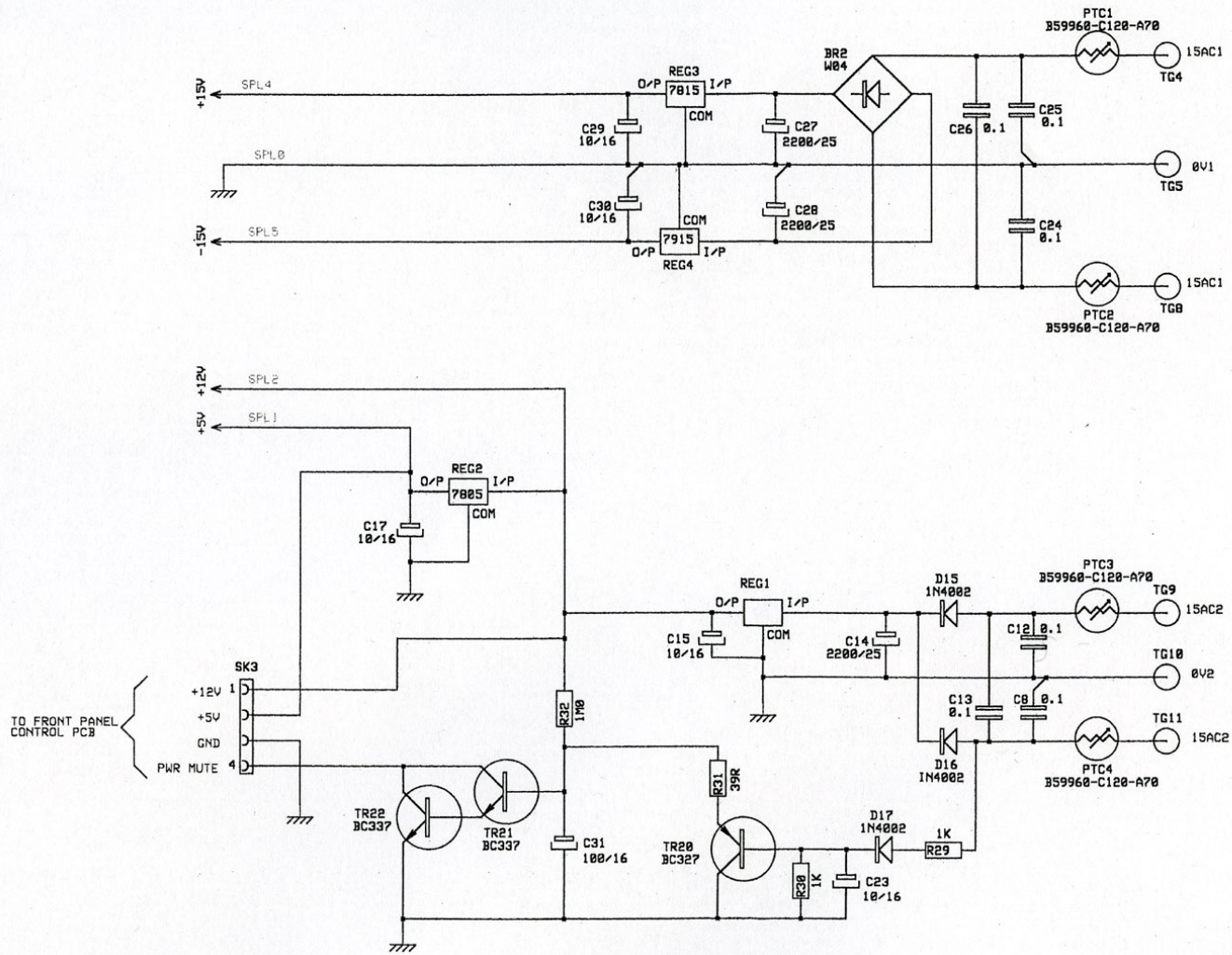
ISSUE 82 R23 & R33 CHANGED FROM 1K TO 470R  
 C35 & R35 CHANGED FROM 0.15 TO 0.22  
 ISSUE 83 GND CONNECTIONS DELETED FROM RLY6 NC CONTACTS  
 ISSUE 84 R57 & R157 CHANGED FROM 47K TO 28K  
 ISSUE 85 R37 & R57 CHANGED FROM 28K TO 56K  
 R23, R6, R3 & R6 ADDED  
 C54 & R54 ADDED  
 ISSUE 86 C55 & R55 ADDED

### A3 INPUT CIRCUITS

#### MUSICAL FIDELITY

DATE	ISSUE
11/3/99	81
02/4/99	82
14/3/99	83
11/6/99	84
04/0/99	85

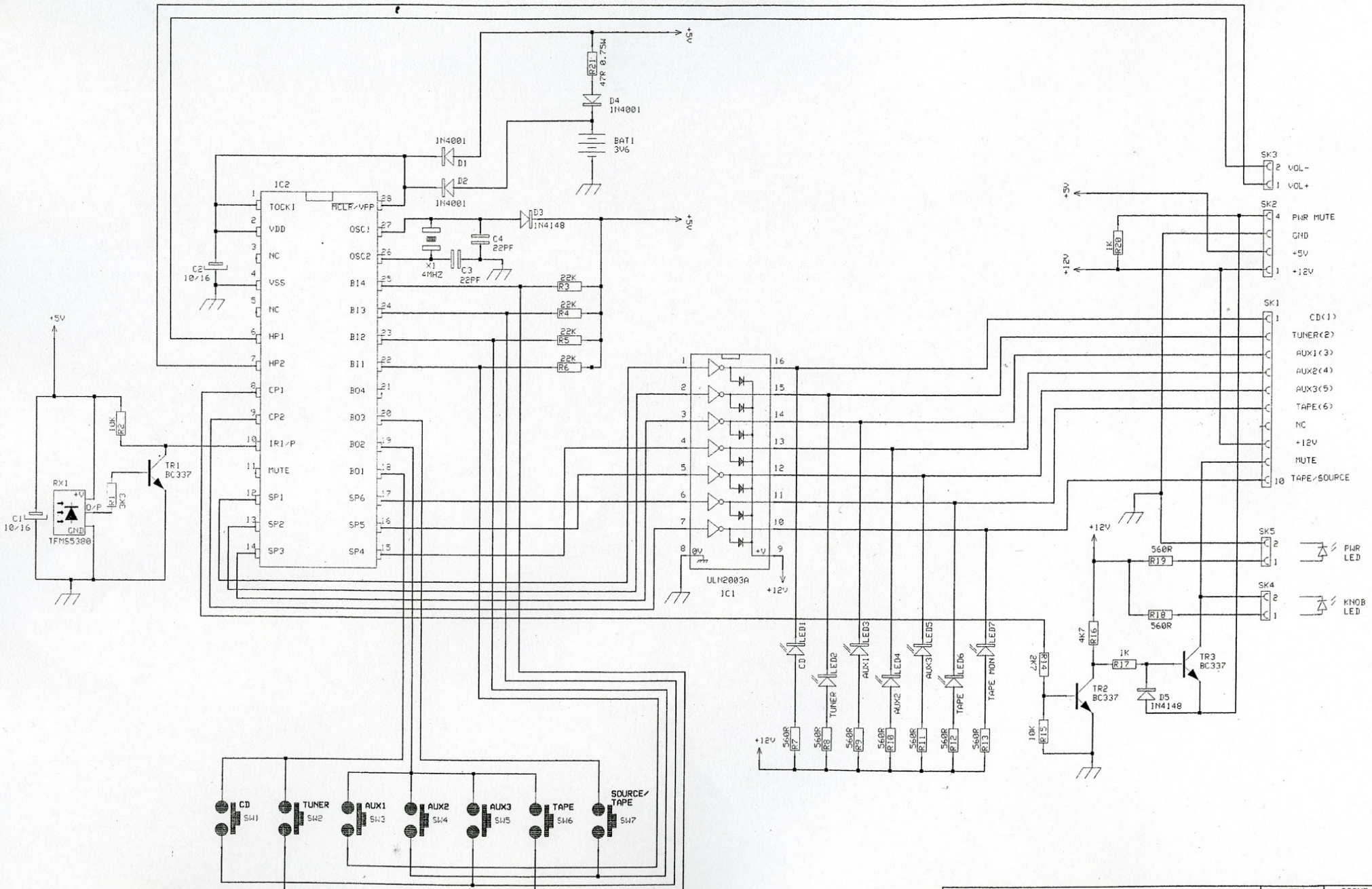
A300



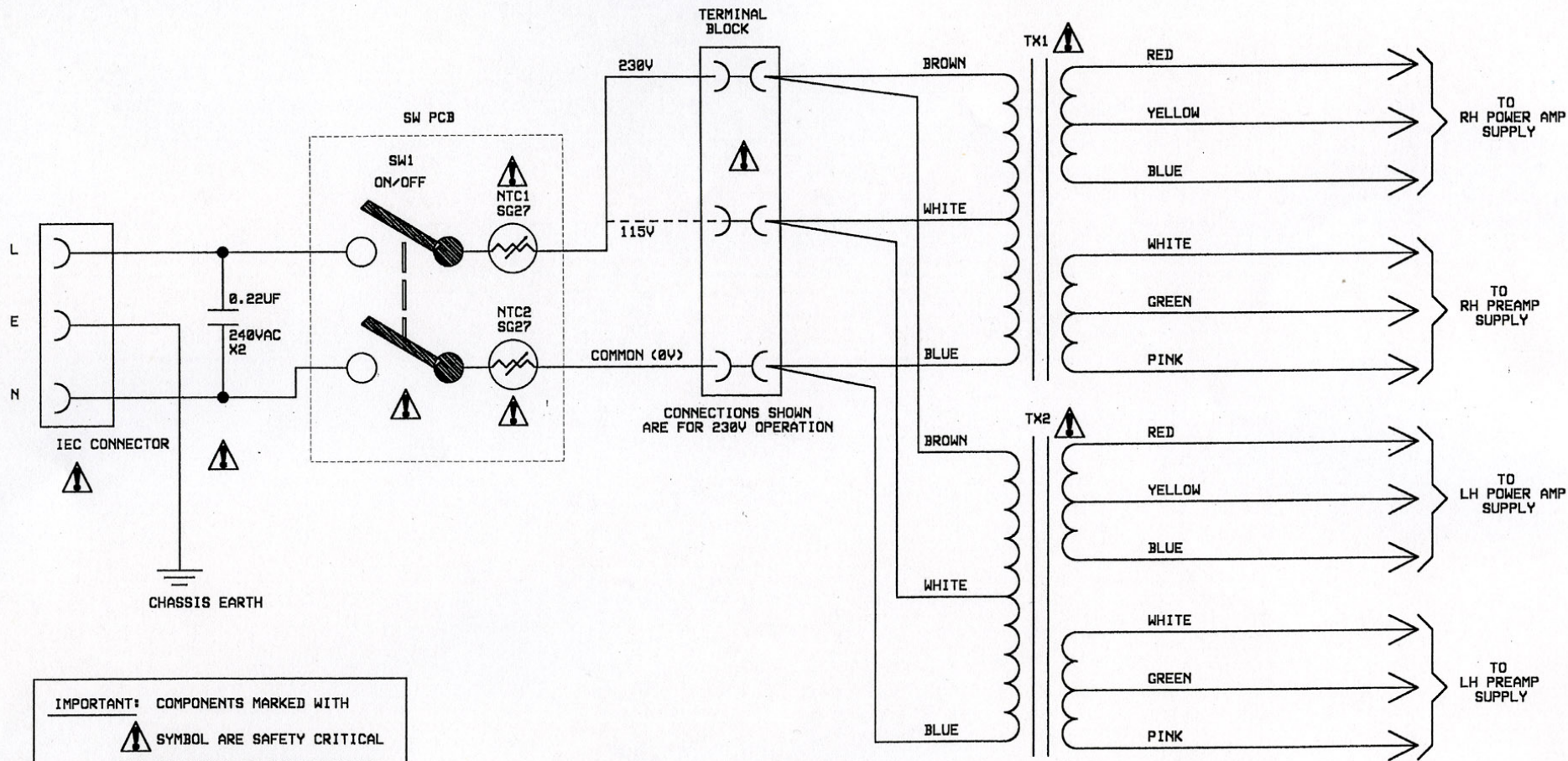
## A3 LOW VOLTAGE SUPPLIES MUSICAL FIDELITY

ISSUE 02

DATE	ISSUE
11/3/99	01
4/1/08	02
	A300



A300



IMPORTANT: COMPONENTS MARKED WITH



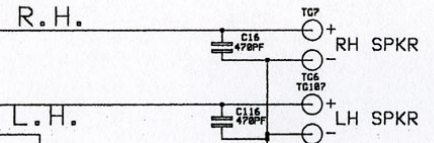
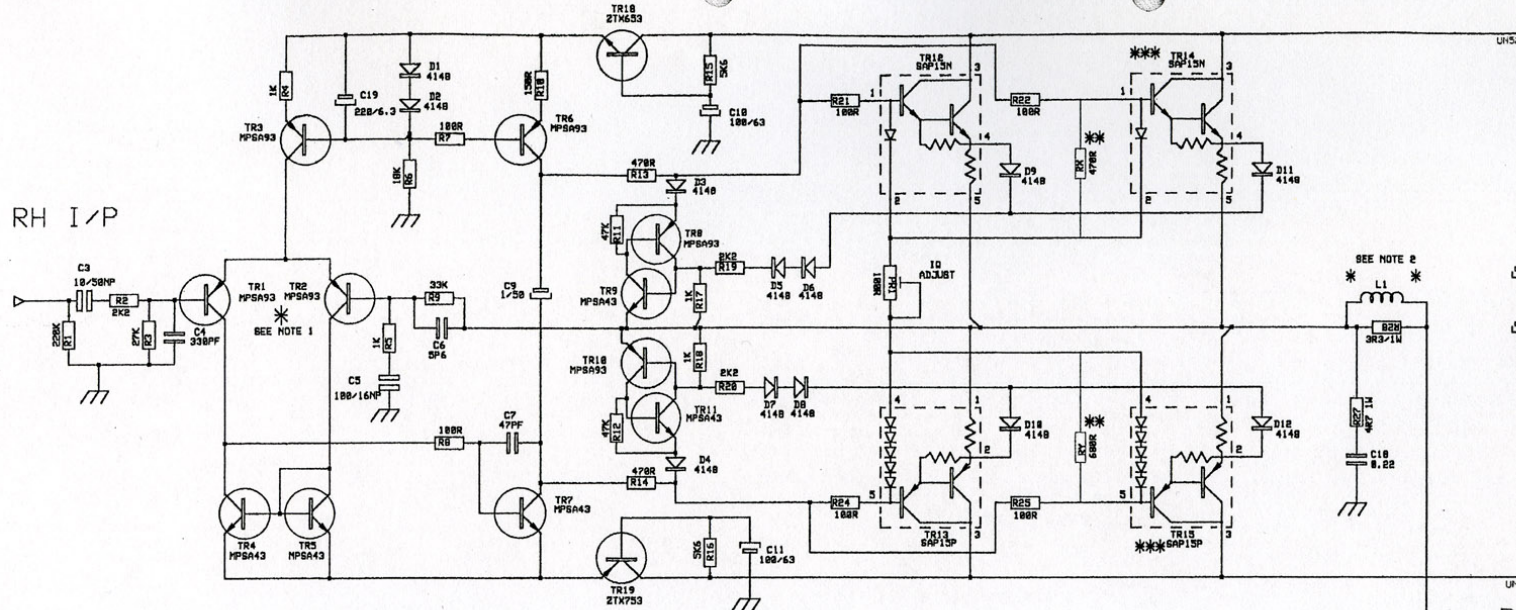
SYMBOL ARE SAFETY CRITICAL  
AND MUST ONLY BE REPLACED WITH  
ORIGINAL PARTS SUPPLIED  
BY THE MANUFACTURER

A300 INTEGRATED AMPLIFIER  
MAINS POWER SUPPLY SCHEMATIC  
MUSICAL FIDELITY LTD

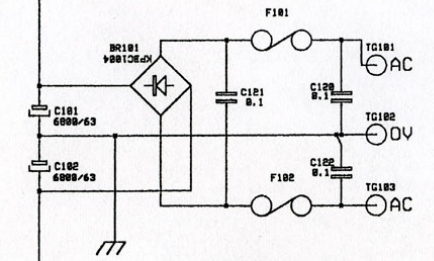
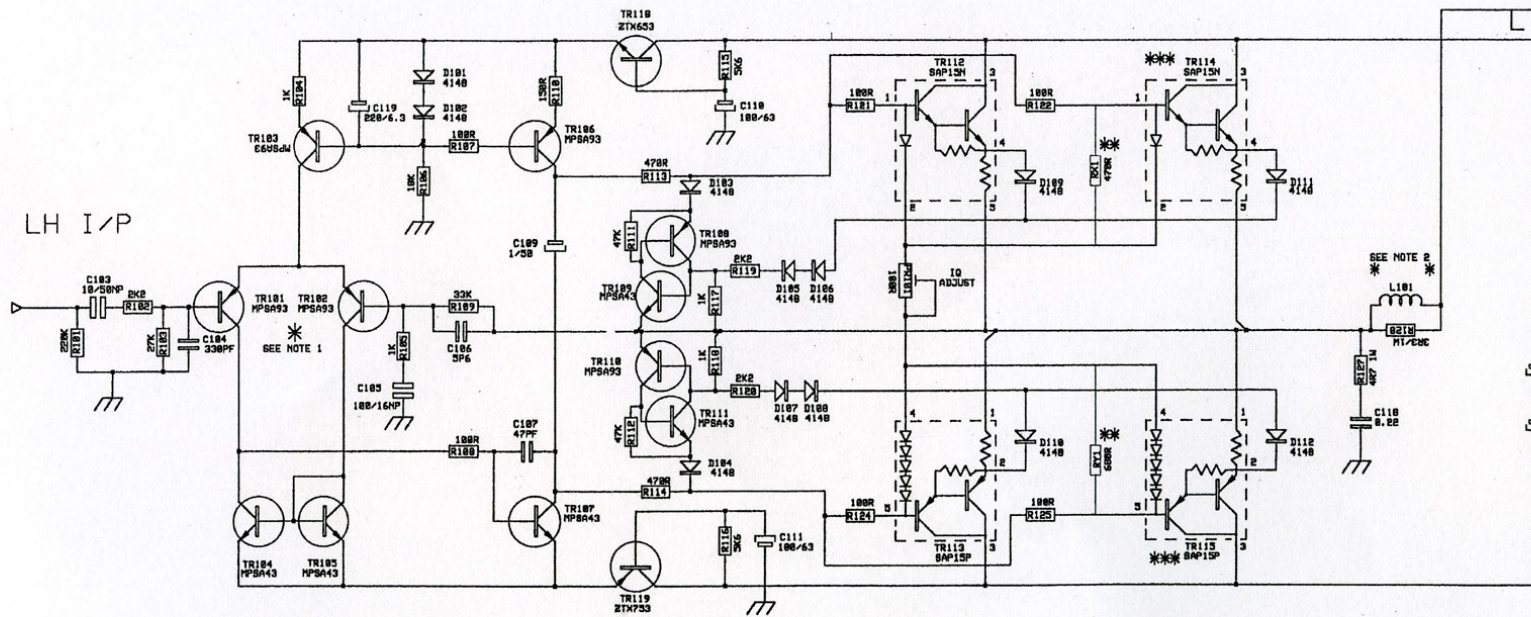
DATE  
14/11/99

ISSUE  
01

RH I/P



LH I/P



IMPORTANT  
FUSES: F1, F2, F101 & F102  
A3 MODEL FIT T4AL  
A300 MODEL FIT T5AL

\* NOTE 1: TR1 & TR2 MUST BE MATCHED FOR HFE < 10% DIFFERENCE

\* NOTE 2  
L1 = 24 TURNS OF 22SWG (0.71MM DIA) ENAMELLED COPPER WIRE - COIL DIA. 7.5MM COIL TO BE FITTED OVER R28

\*\* R4, R41 & RY, RY1 FITTED TO A3 MODEL ONLY

\*\* TR14, 15, 114 & 115 FITTED TO A300 MODEL ONLY

ISSUE 02  
A3 & A300 INFO ADDED

**AX300 INTEGRATED AMPLIFIER  
POWER AMPLIFIER STAGES  
MUSICAL FIDELITY**

ISSUE	DATE
B1	06/2/99
B2	14/10/99