

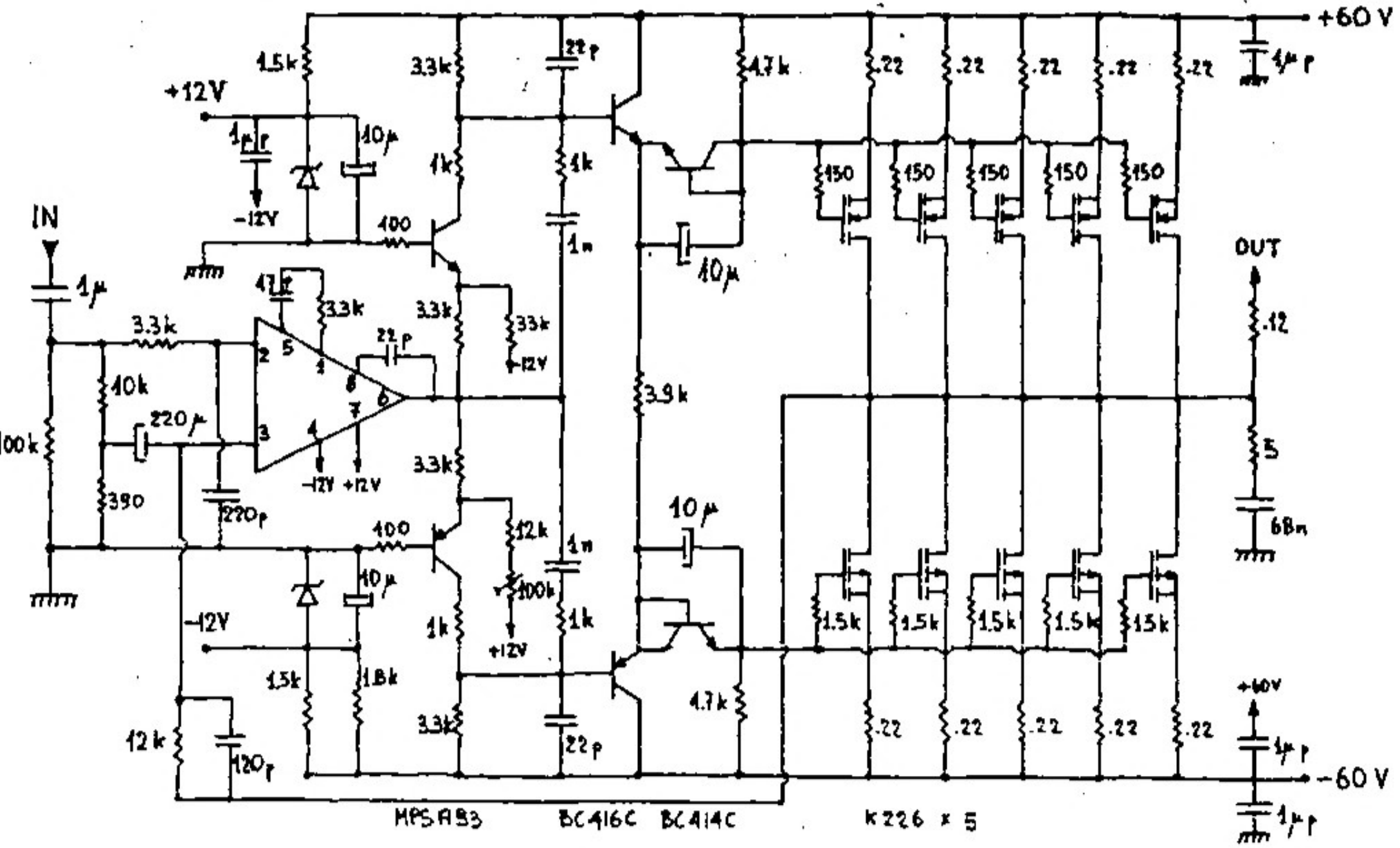
LM318N

MPSA43

BC414C

BC414C

J83 x 5



MPSA43

BC416C

BC414C

K226 x 5

+60V

-60V

IN

OUT