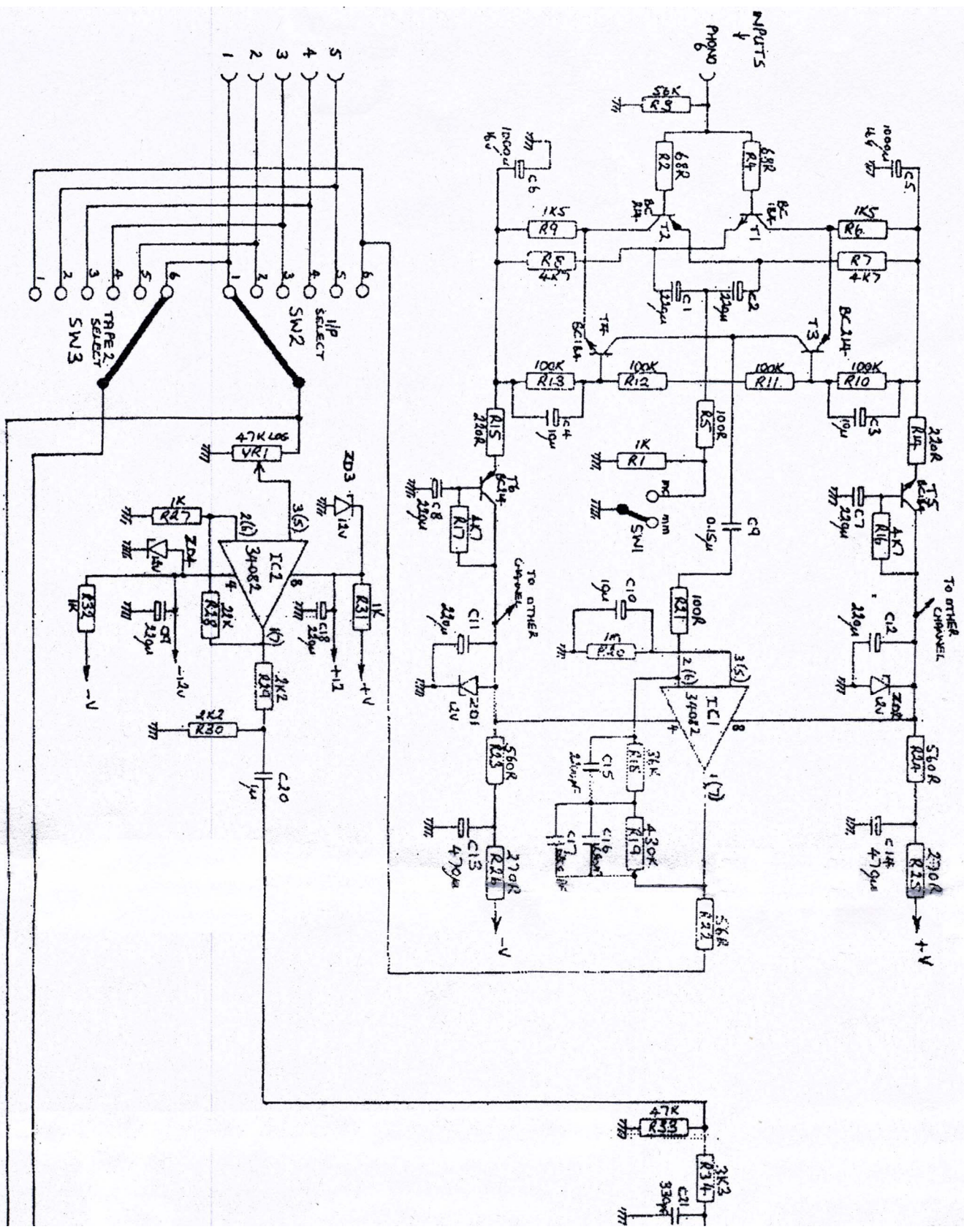
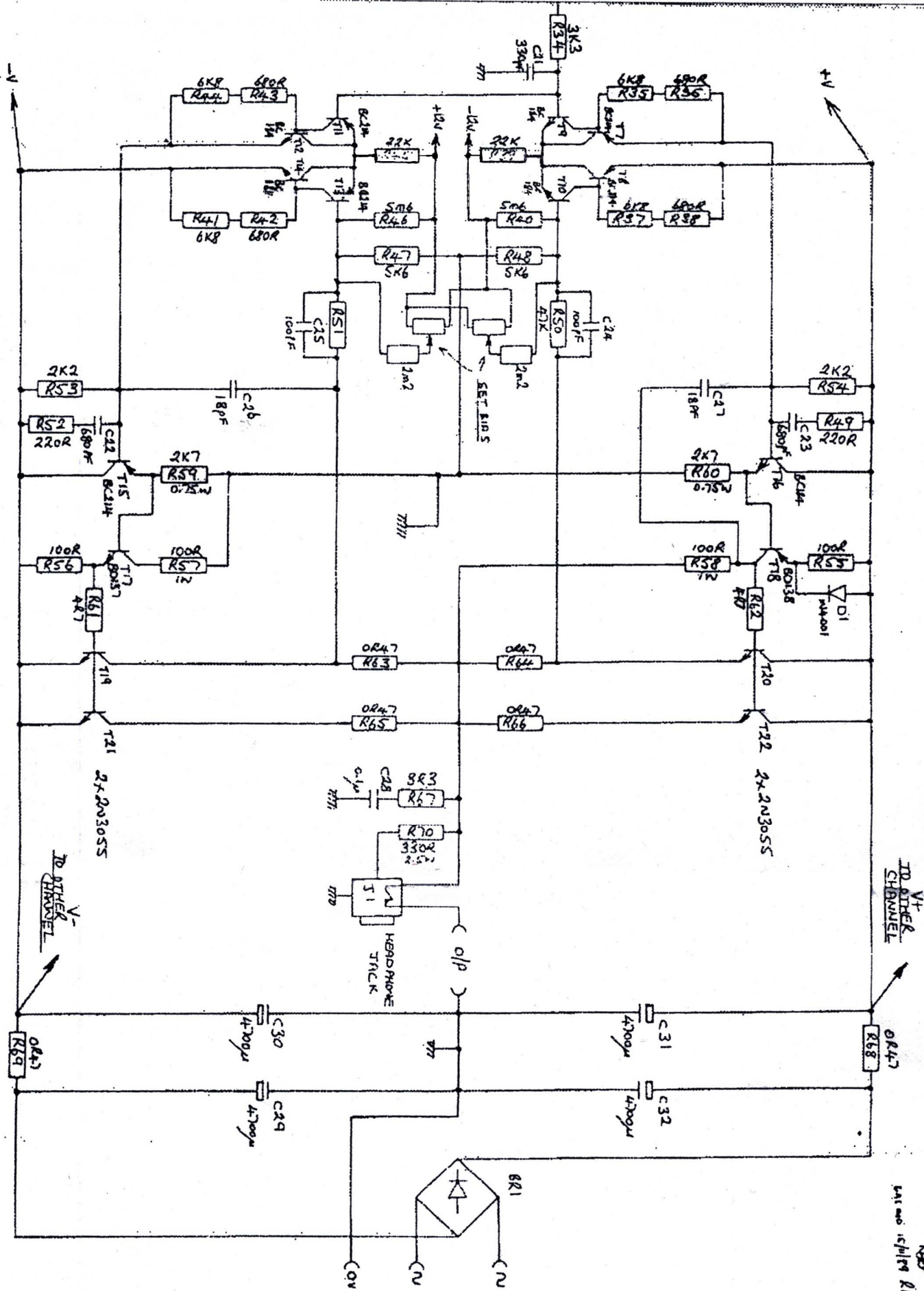


ONE CHANNEL ONLY SHOWN  
IC PIN NUMBERS IN BRACKETS  
REFER TO OTHER CHANNEL





TRAPE 2 o/p/p  
TRAPE 1 o/p/p

6/12/89  
RJB  
LAST MOD. 10/11/89 RJB