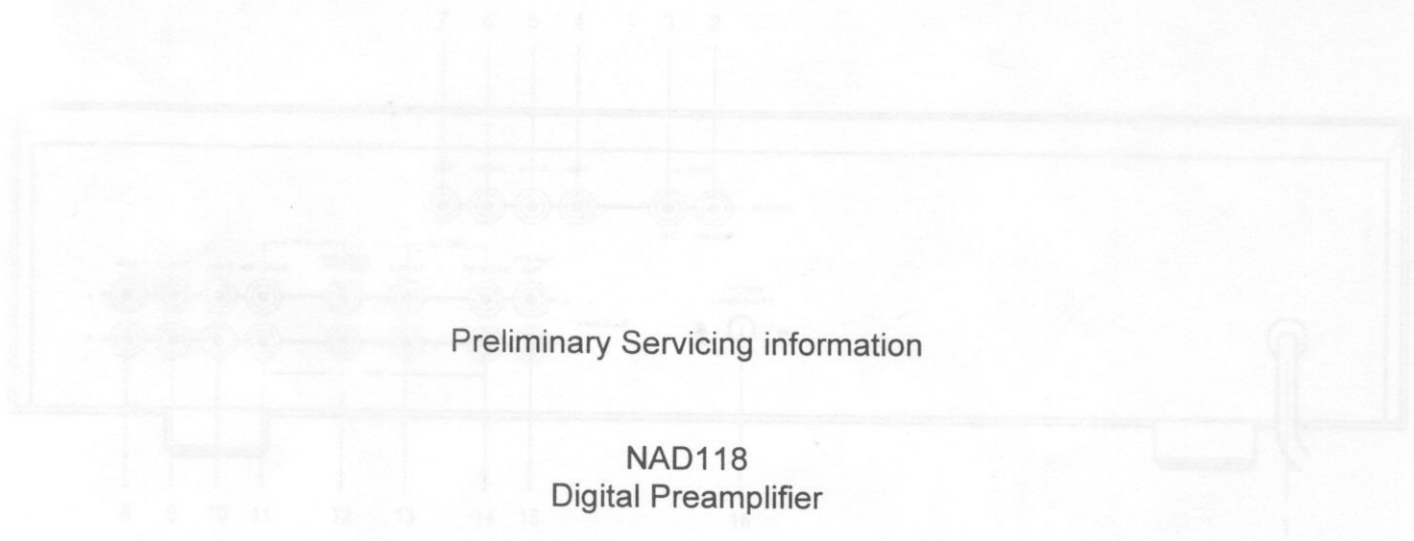


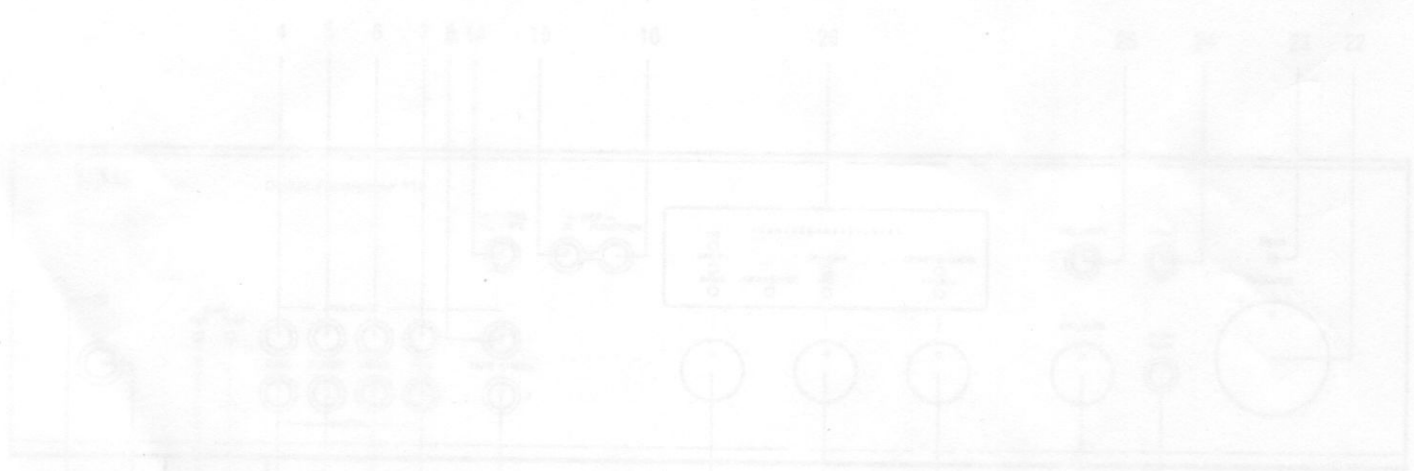
© 1987 NAD Electronics Ltd.



Preliminary Servicing information

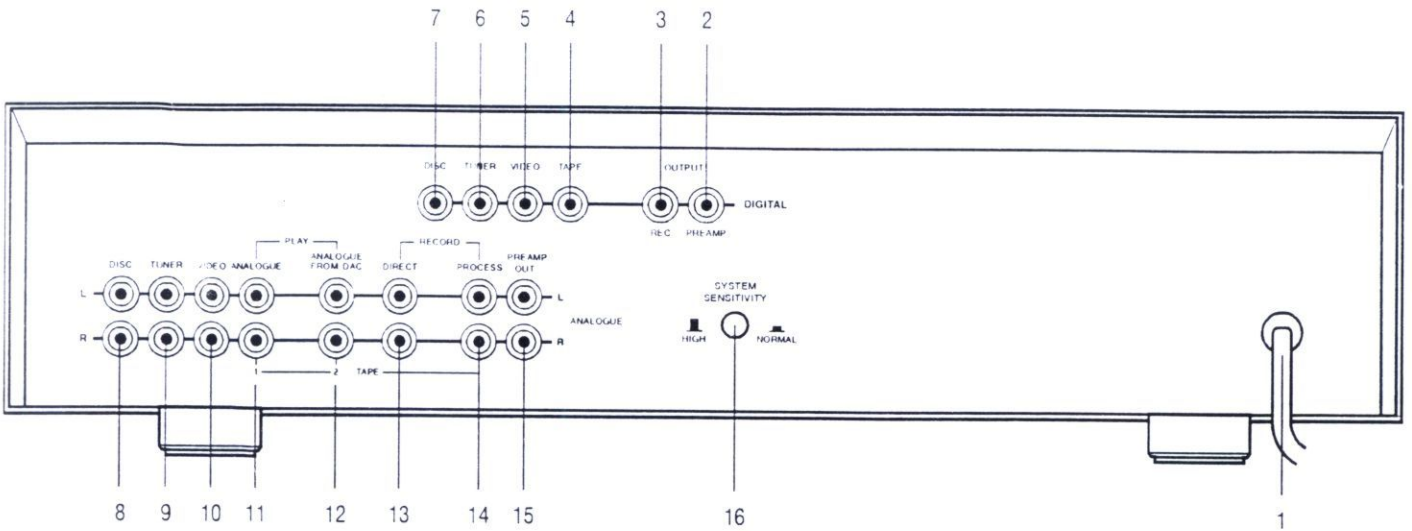
NAD118
Digital Preamplifier

FRONT PANEL CONTROLS - NAD 118

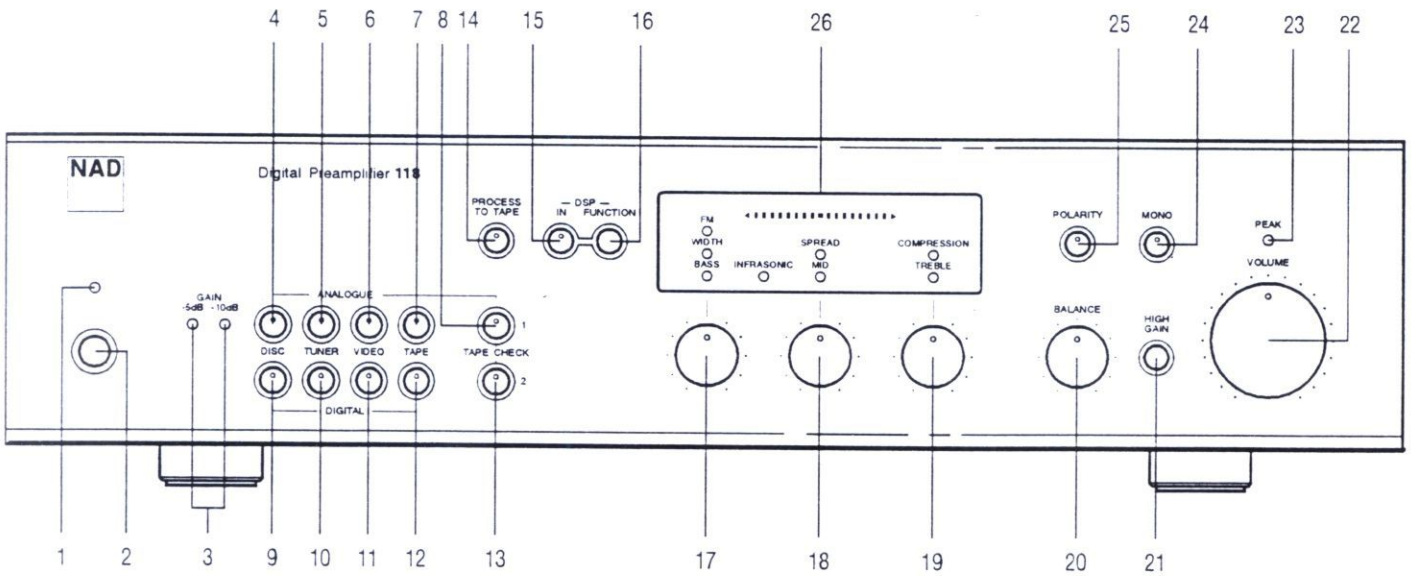


PROPRIETARY INFORMATION FOR SERVICING PURPOSES ONLY.

The information herein may not be used commercially without the prior written agreement of NAD Electronics Ltd., 401-405 Nether Street, London N3 1QG, England

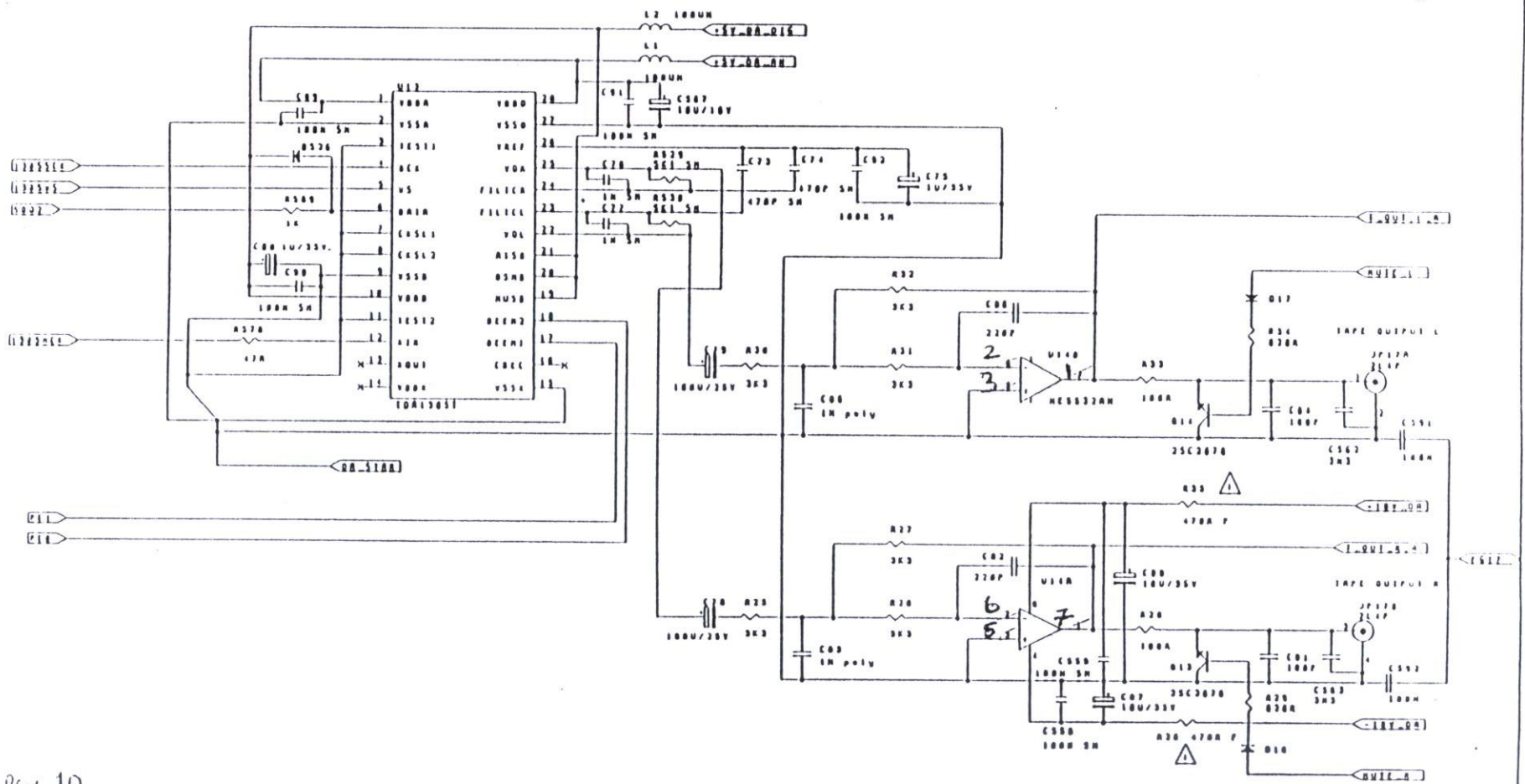


FRONT PANEL CONTROLS - NAD 118



Updated 15.7-96

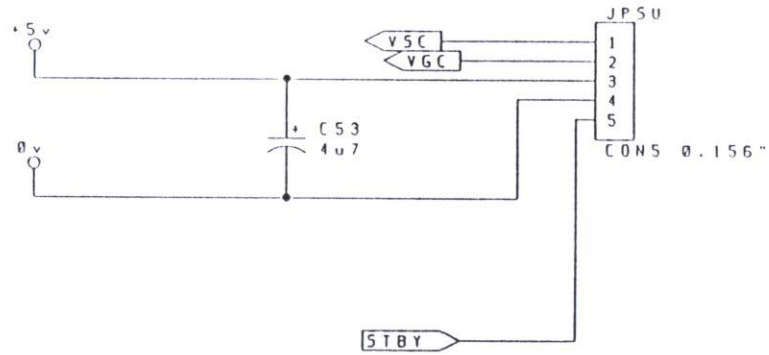
REV 10
③ of 4
(Analogue)



REV 10
③ OF 4

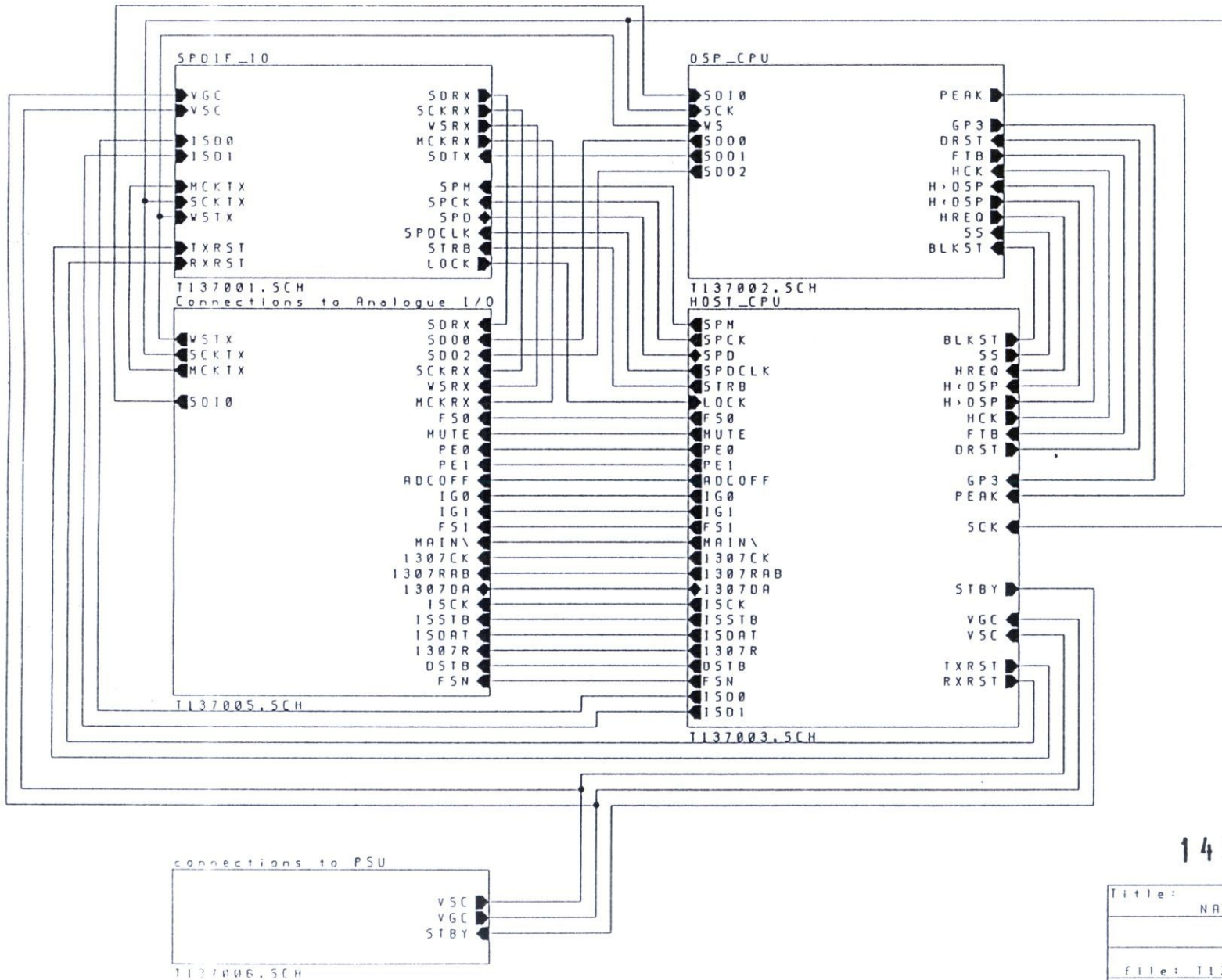
14 SEP 1995

ICD H&B ELECTRONICS LTD 1995	
11114	MODEL 110 DIGITAL PRE-AMP TAPE DAC
5111	Document Number
8	0000743 511
REV	1.2



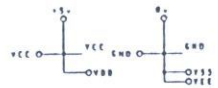
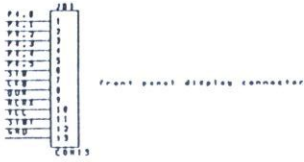
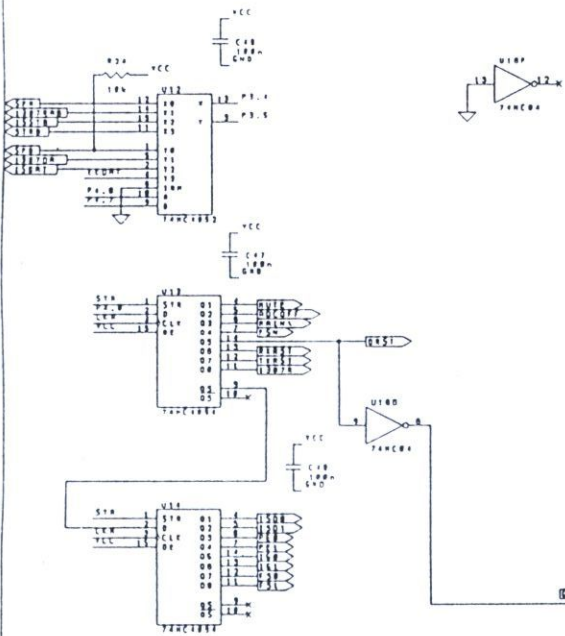
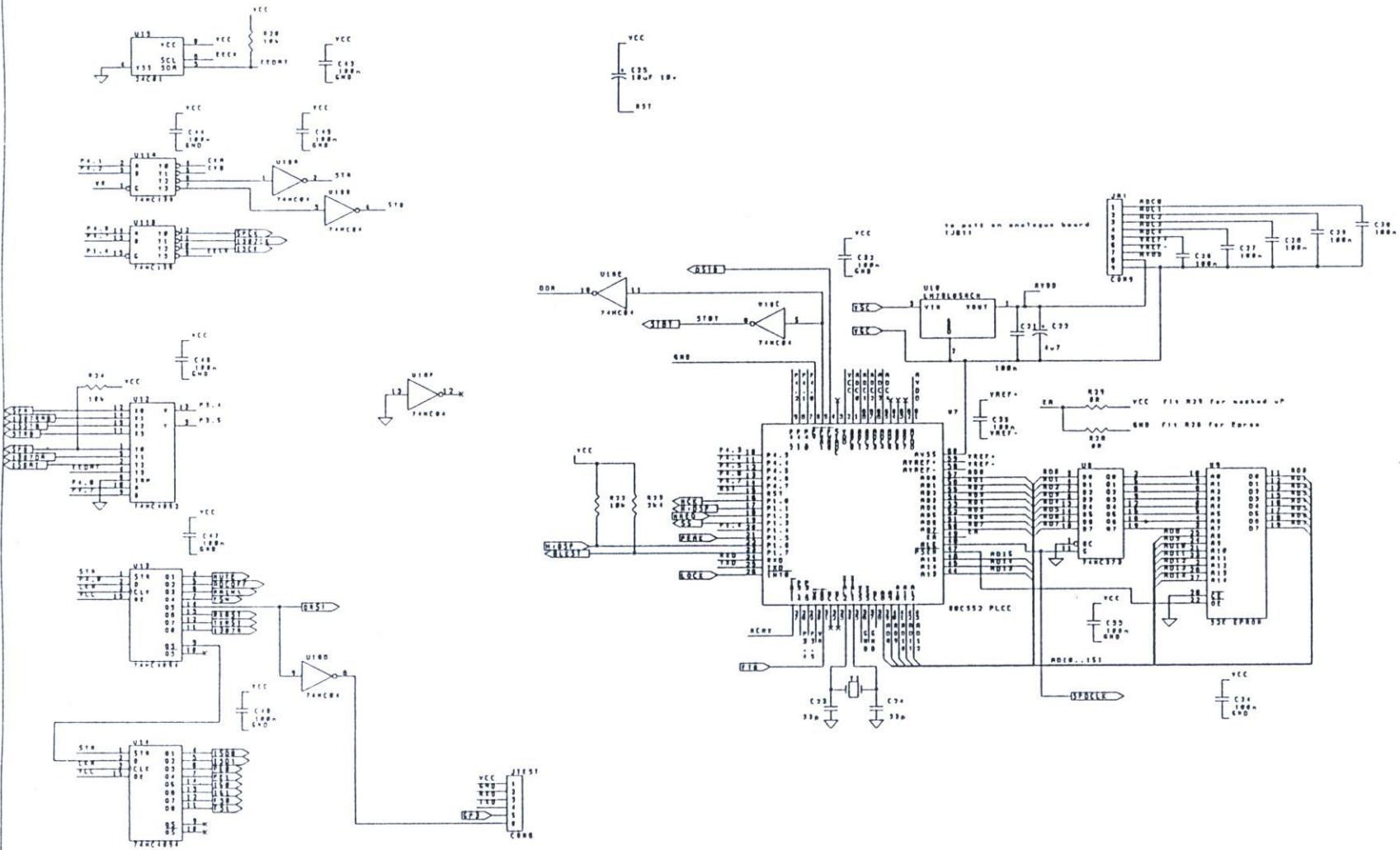
14 SEP 1995

Title:	
NAD 118	
PSU	
1137006	
Job No:	Sheet 5 of 6



14 SEP 1995

Title:	
NAD L18	
file: T137.SCH	
Job No:	Sheet 1 of 6
T137	



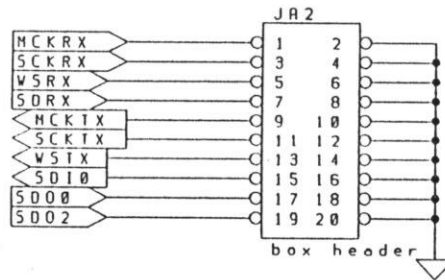
14 SEP 1960

NO. 118
Rev. Co-
11/2/60
4 of 6

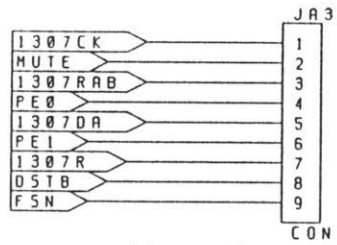
to clock switch

from clock switch

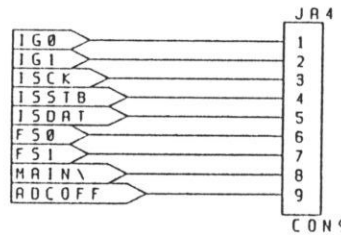
to docs



(to analogue board JB2)



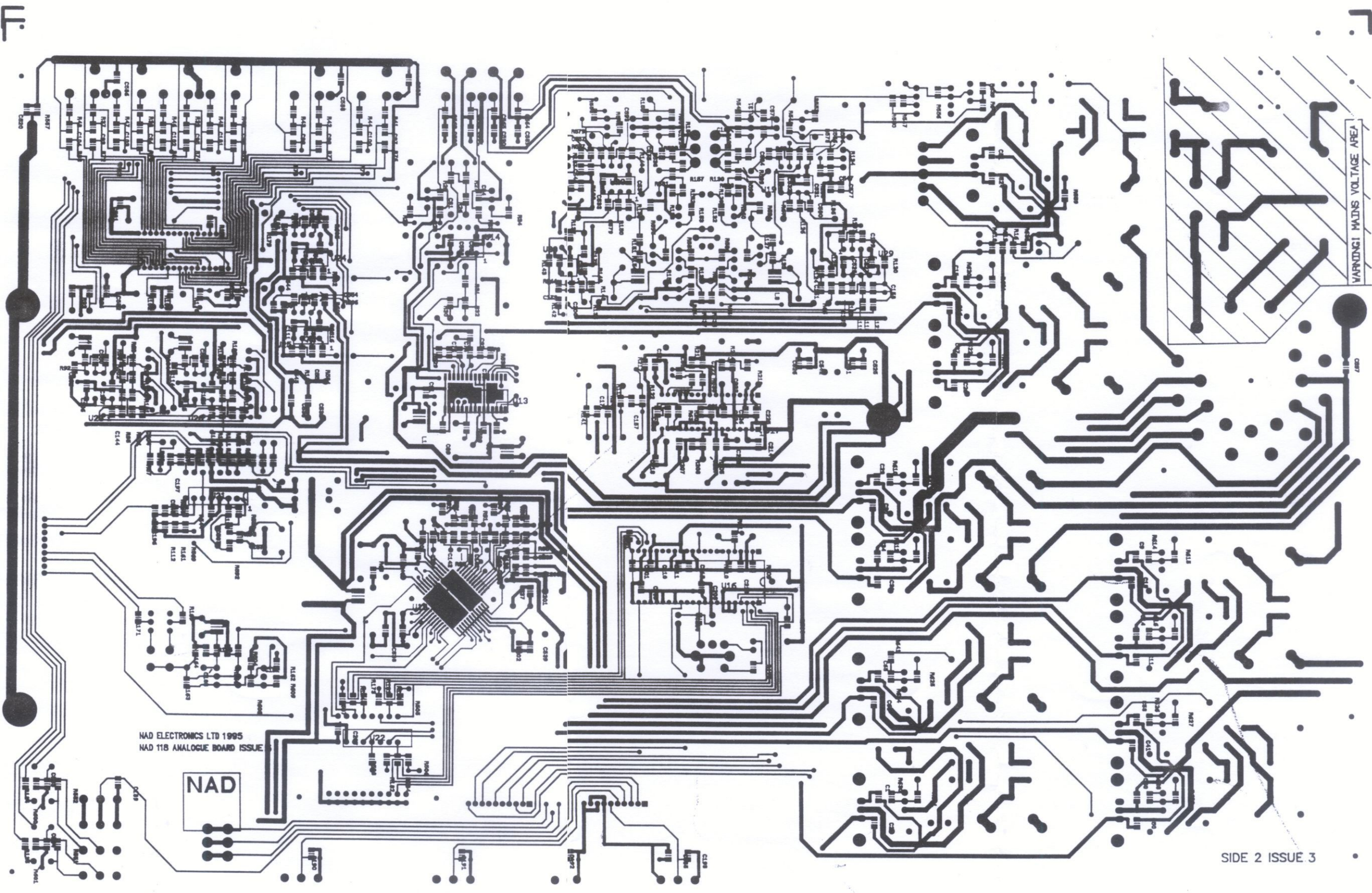
(to analogue board JB3)



(to analogue board JB4)

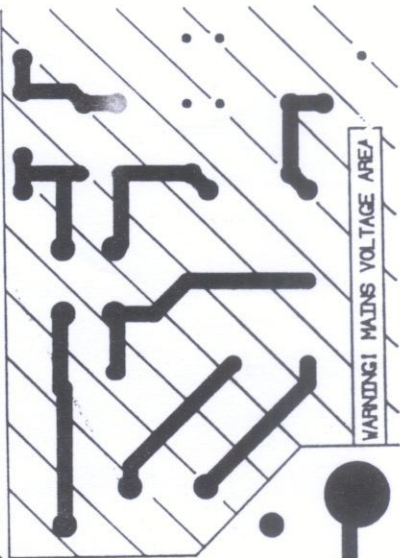
14 SEP 1995

Title:	NAD 118
	Analogue 10
	t137005.sch
Job No:	Sheet 6 of 6

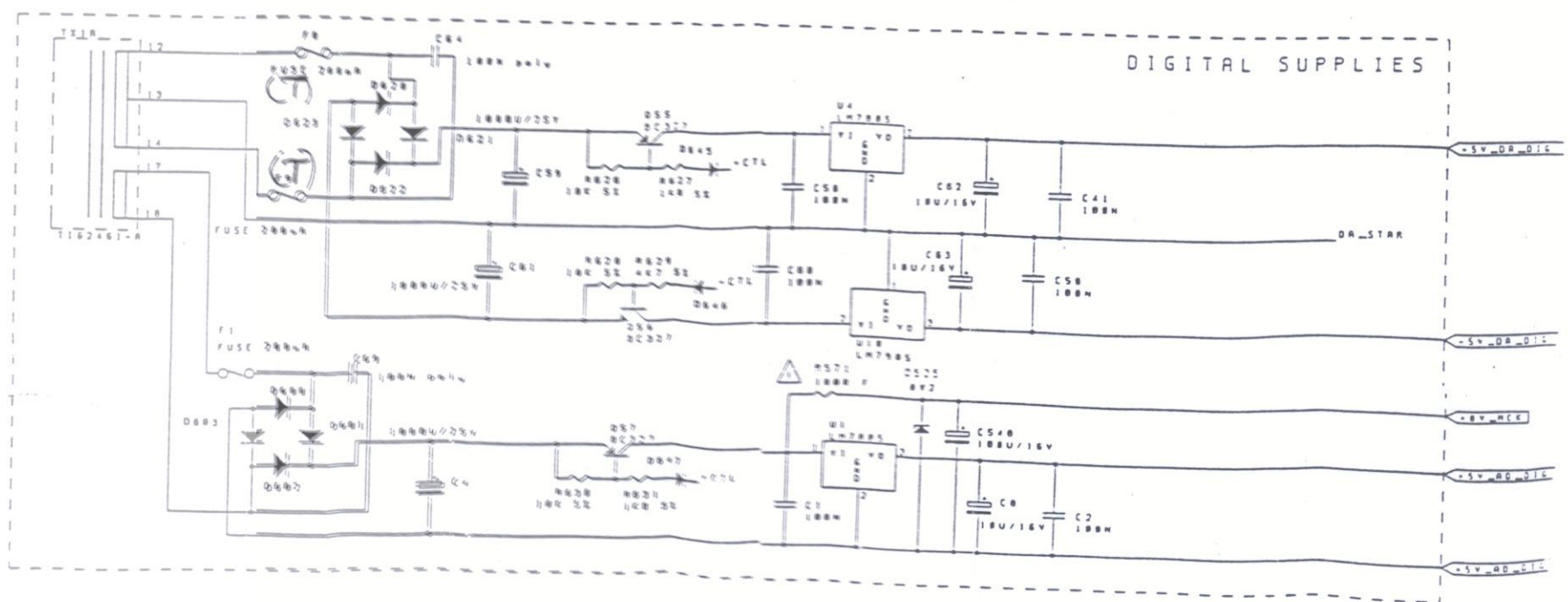
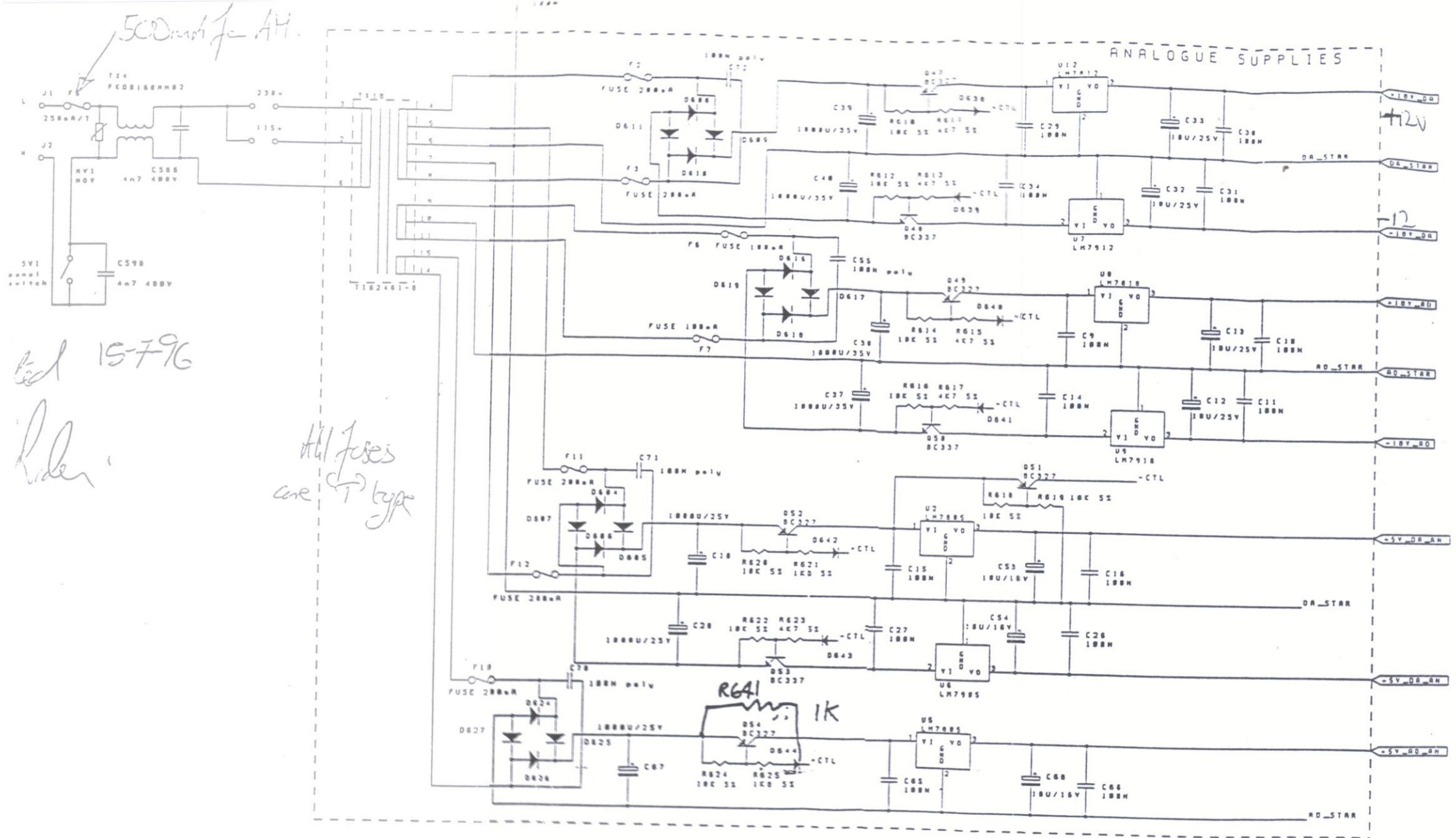


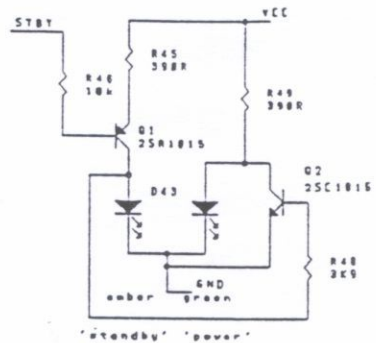
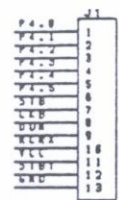
NAD ELECTRONICS LTD 1995
NAD 118 ANALOGUE BOARD ISSUE

NAD



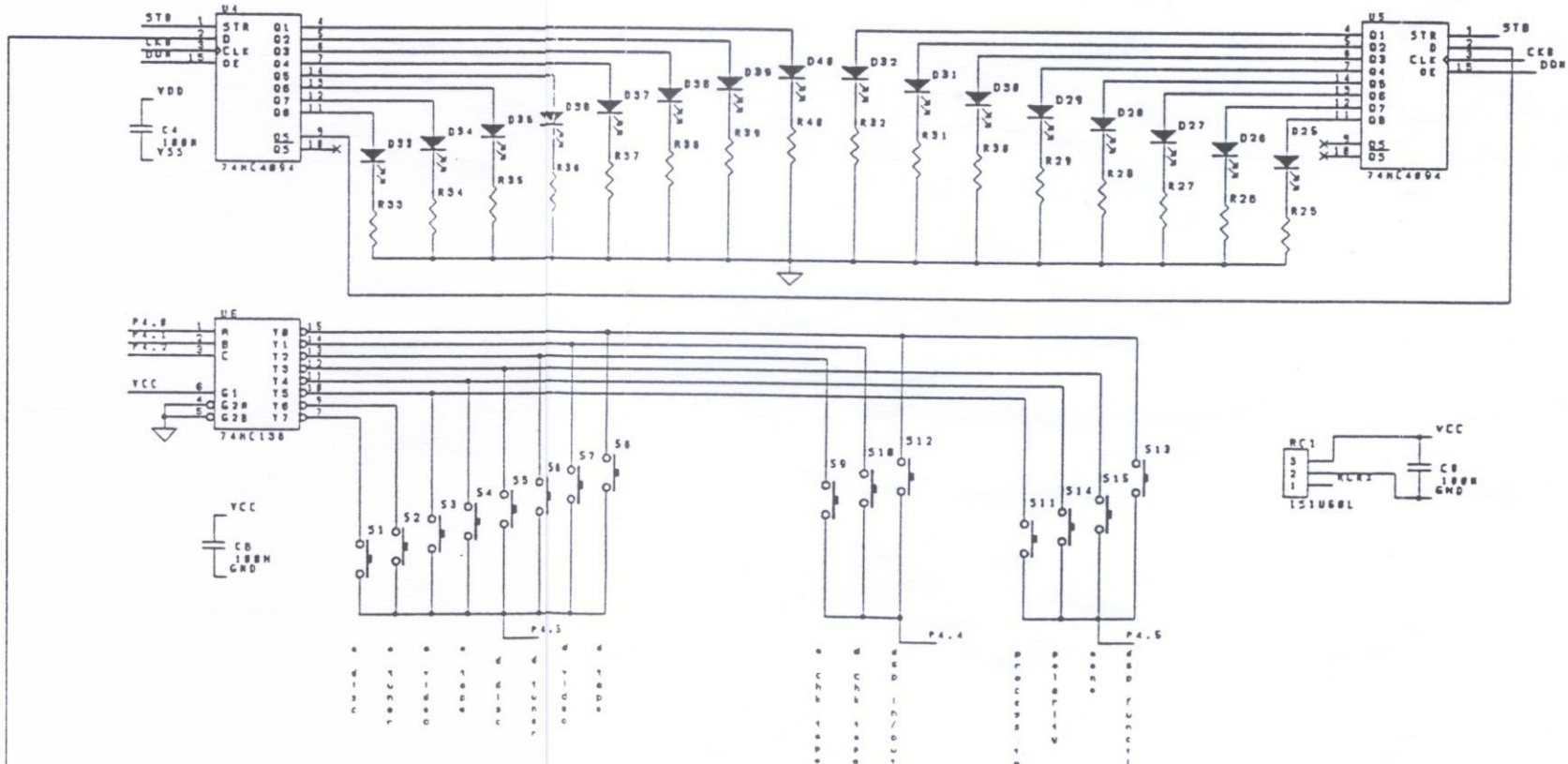
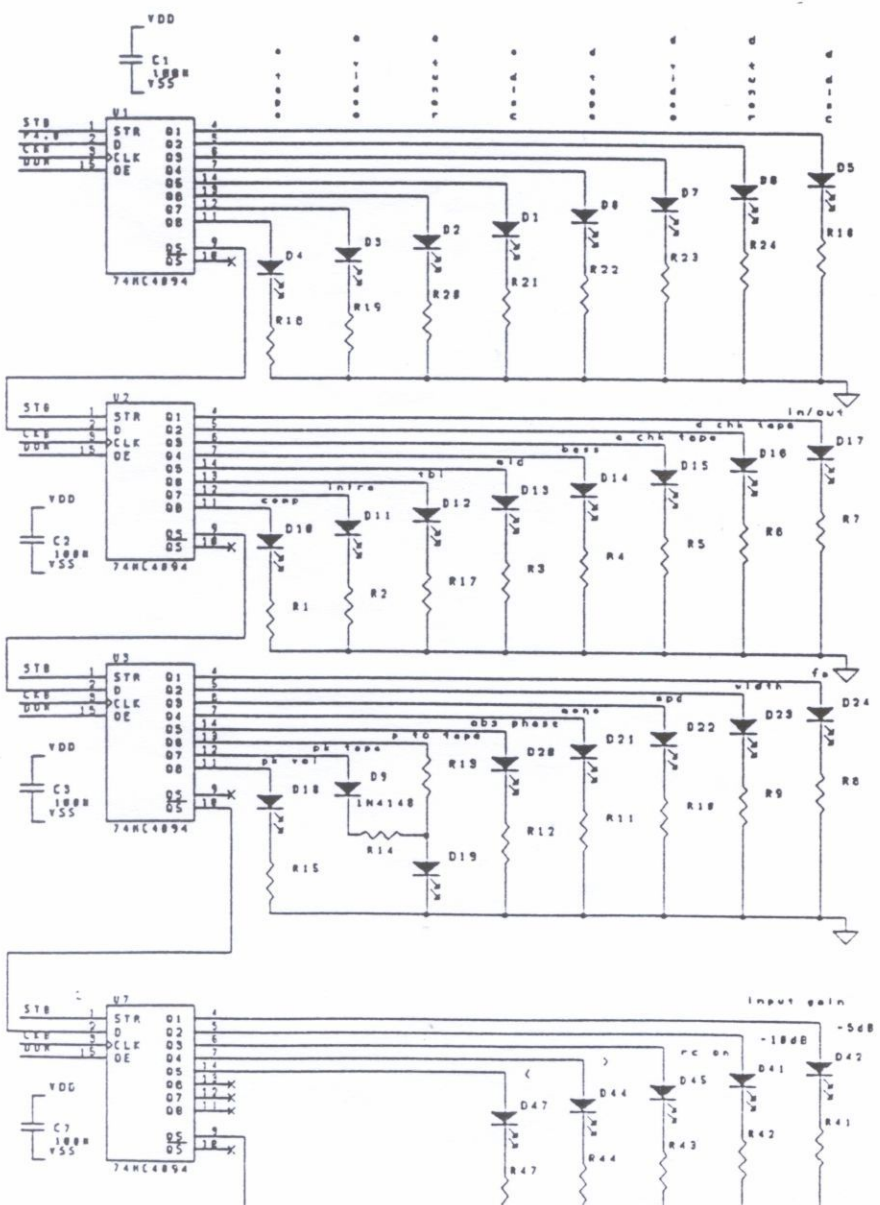
WARNING! MAINS VOLTAGE AREA

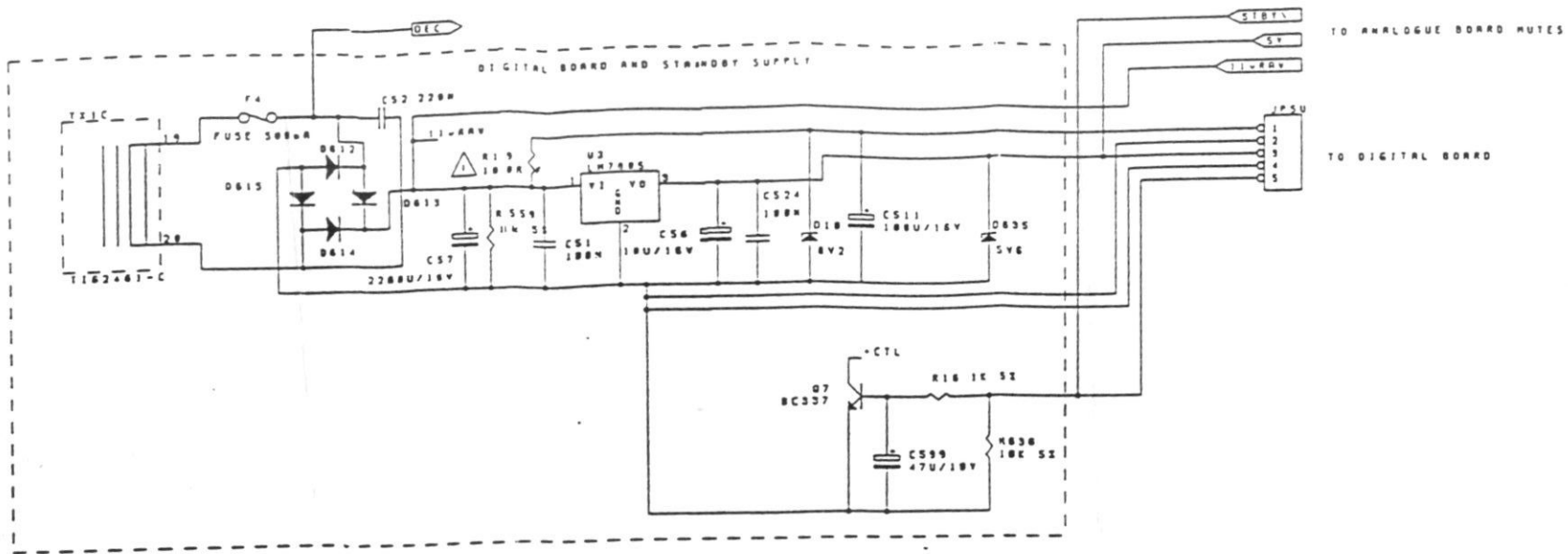




- (left)
- D47
- D33
- D34
- D35
- D36
- D37
- D38
- D39
- D48
- D45
- D32
- D31
- D30
- D29
- D28
- D27
- D26
- D25
- D44
- (un connected)
- (right)

LEDs shown to left are contained in the 18 segment display and stacked together. The gap shown is for clarity.





14 SEP 1995

(C) HAD ELECTRONICS LTD 1995			
Title	MODEL 118 POWER SUPPLY SECTION		
Size	Document Number	REV	
D	HAD002.SCH	18	
Date:	September 14, 1995	Sheet	2 of 4

