

**NAD** **SERVICE**  
**MANUAL**

**MONITOR SERIES**

**1300**

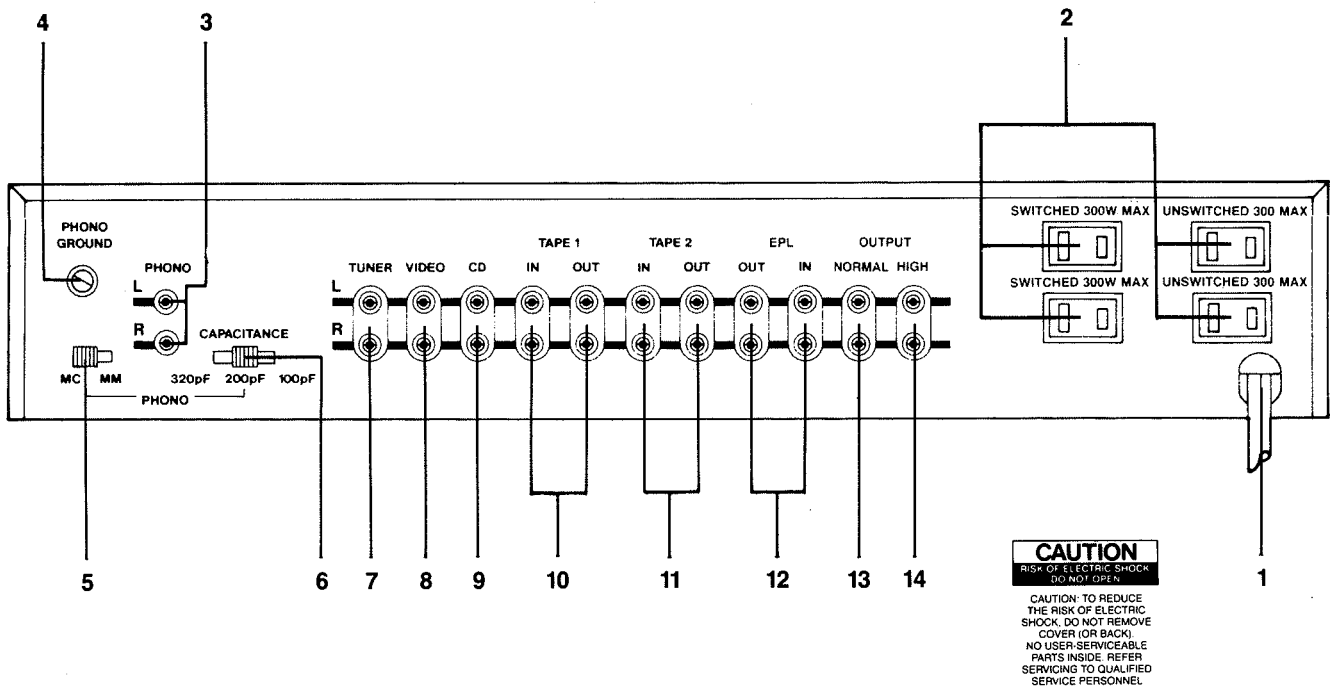
**STEREO PREAMPLIFIER**

CONTENTS  
-1300-

REAR / FRONT PANEL CONNECTIONS	PAGE 3
SPECIFICATIONS	PAGE 4
EXPLODED VIEW, EXPLODED LIST	PAGE 5 - 6
SCHEMATIC DIAGRAM	PAGE 7 - 8
PCB LAYOUT AND COMPONENT LOCATION	PAGE 9 - 10
PARTS LIST	PAGE 11 - 13
PACKING DIAGRAM	PAGE 14

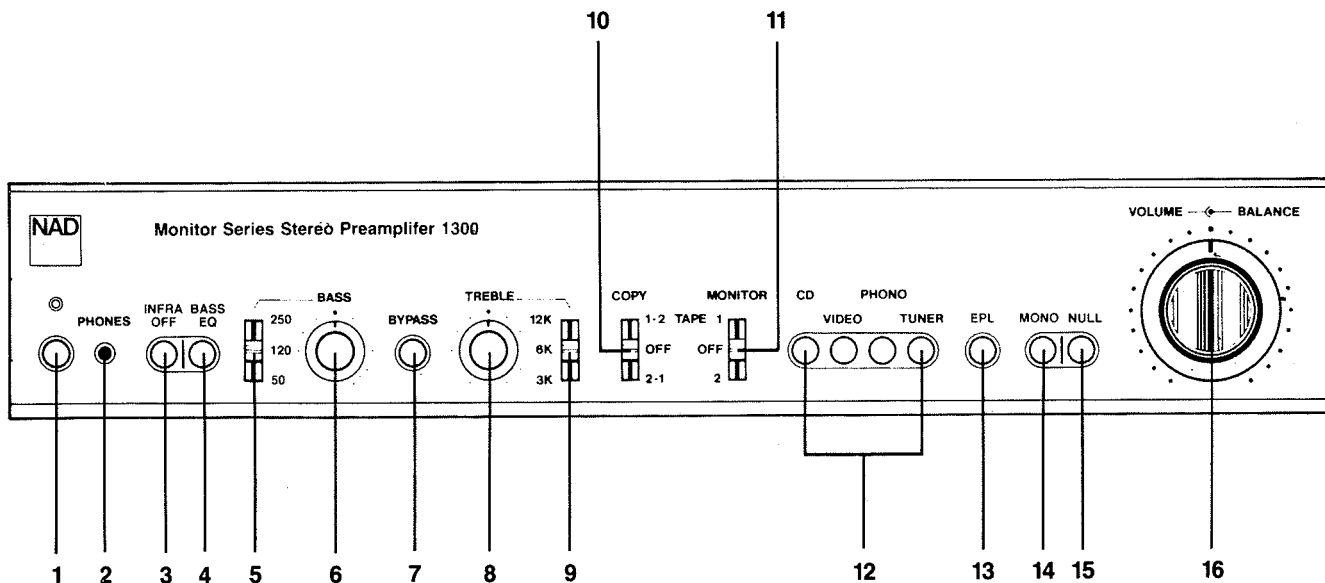
**REAR PANEL**

- |                                    |                                 |                                      |
|------------------------------------|---------------------------------|--------------------------------------|
| 1. AC Line Cord.                   | 6. Phono Capacitance (MM only). | 11. Tape 2 Input/Output.             |
| 2. AC Outlets (not in U.K. model). | 7. Tuner Input.                 | 12. External Processor Input/Output. |
| 3. Phono Input.                    | 8. Video Sound Input.           | 13. Output (Normal).                 |
| 4. Phono Ground.                   | 9. CD Input.                    | 14. Output (High).                   |
| 5. MM/MC Selector.                 | 10. Tape 1 Input/Output.        |                                      |



**FRONT PANEL**

- |                           |                         |                         |
|---------------------------|-------------------------|-------------------------|
| 1. Power.                 | 7. Tone Control Bypass. | 13. External Processor. |
| 2. Phones.                | 8. Treble.              | 14. Mono.               |
| 3. Infrasonic Filter Off. | 9. Treble Range.        | 15. Null.               |
| 4. Bass EQ.               | 10. Tape Copy.          | 16. Volume/Balance.     |
| 5. Bass Range.            | 11. Tape Monitor.       |                         |
| 6. Bass.                  | 12. Input Selector.     |                         |



## Specifications

### NAD 1300 Stereo PreAmplifier

Specifications are measured in accordance with EIA Standard RS-490 (IHF A-202). Measurements referred to the Normal output. Output level are 14 dB higher at the High output; for this output, divide the normal input sensitivity values by 4.5.

Phono Input		
Input Impedance	MM	R=47Kohm, C=100/200/320 pF
	MC	R=100 ohm, C=1000 pF
Input Sensitivity	MM	1.3 mV
(1 KHz, 0.5V out)	MC	60uV
Input Overload at	MM	20/200/2000 mV
20Hz/1KHz/20KHz	MC	1.0/10/100 mV
Signal/Noise ratio,		
IHF A-weighted, with	MM	80 dB re 5 mV
cartridge connected	MC	78 dB re 0.5 mV
THD (20Hz-20KHz) and	MM	<0.02 % at +30 dB level
IM Distortion	MC	<0.02 % at +26 dB level
RIAA response accuracy		+0.3 dB

### Line Level Inputs (Tuner, Type, CD, Video)

Input Impedance	R=100 Kohm, C=220 pF
Input Sensitivity(0.5V out)	80 mV
Maximum Input Signal	12 V
THD	0.01 %
Signal/Noise ratio, A-weighted	>100 dB re 0.5V out
	>110 dB re 2V
Frequency Response	20Hz-20KHz $\pm$ 0.3 dB

### Outputs

Output Impedance	Tape or EPL	1000 ohms
	Normal	150 ohm
	High	150 ohm
	Phones	68 ohm (will drive all headphone impedances)
Maximum Output Level	Tape or EPL	12V
	Normal	12V
	High	12V into 600 ohm load
	Phones	12V into 600 ohm
		1V into 8 ohm
Tape Output Infrasonic Filter		-3 dB at 14Hz, 18 dB/octave

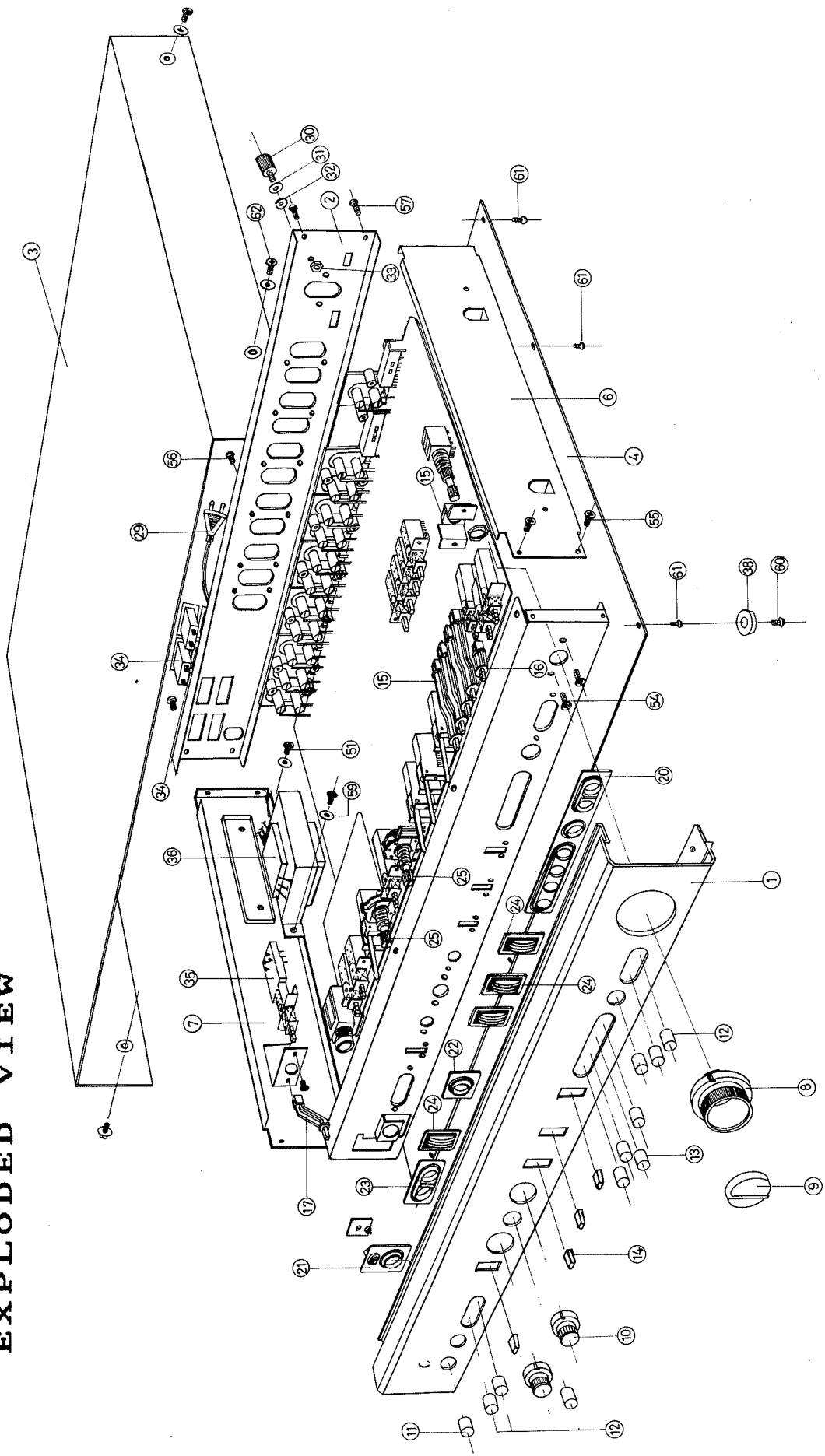
### Controls

Treble	+12 dB at 3, 6, or 12 kHz
Bass	+12 dB at 50, 120, or 250 Hz
Bass Equalization	+3 dB at 55 Hz
	+6 dB at 36 Hz
Infrasonic Filter (switchable)	-3 dB at 14 Hz
	18 dB/octave

### Physical Specifications

Width x Height x Depth	43.5cm.x 7.5cm.x 25cm.
	17in.x 3in.x 10in.
Net Weight	4.3 kg (9lb. 8oz.)
Shipping Weight	5 kg (11 lb.)
Power Consumption	50/60 Hz at 110, 120, 220, or 240 VAC
	20W

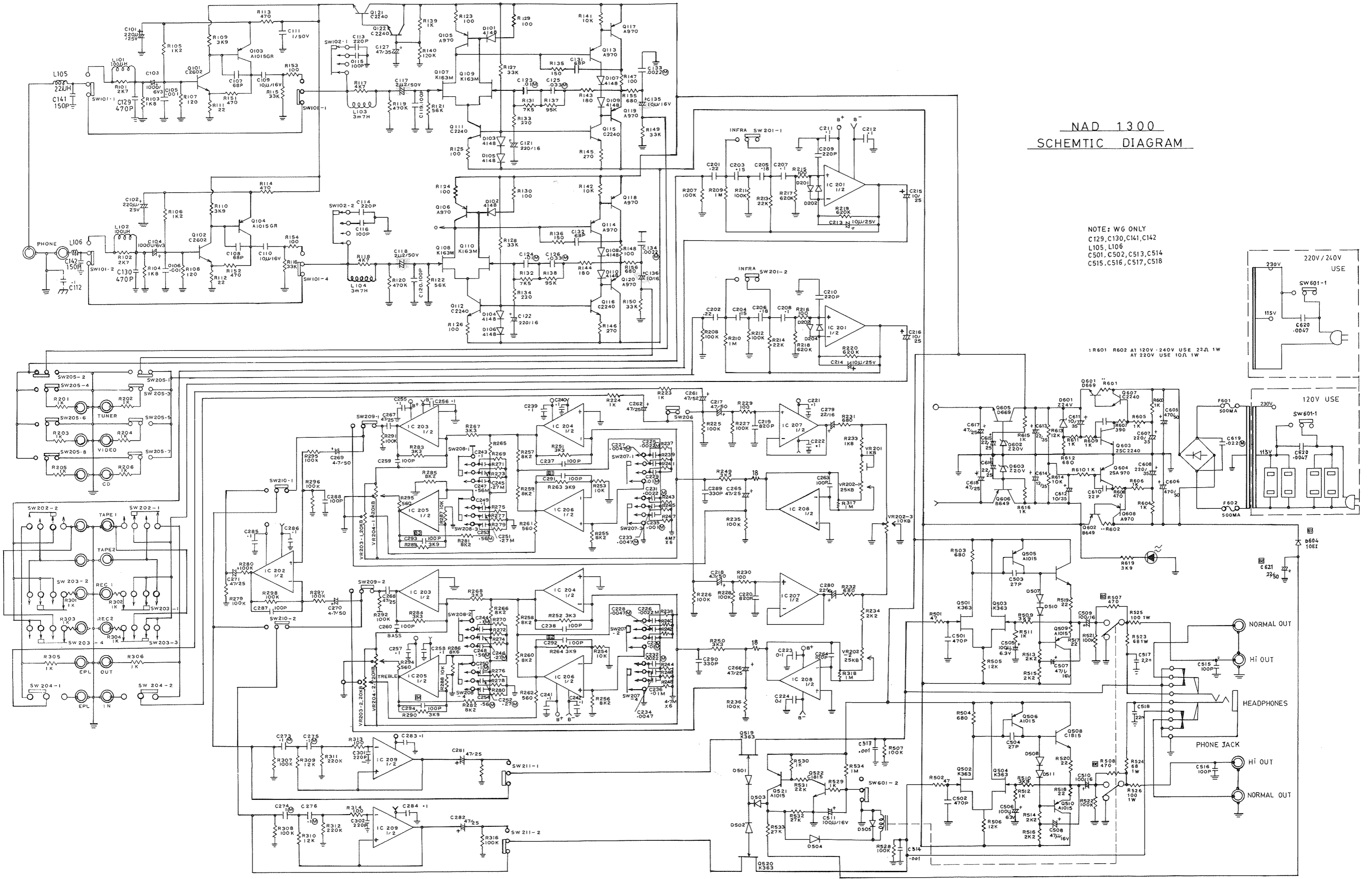
**EXPLODED VIEW**



## EXPLODED LIST

ITEM	PARTS NUMBER	DESCRIPTION	Q'TY
1	L702A038H01	PANEL-FRONT	1
2	L703B039H01	COVER-BACK	1
3	L703A004H01	COVER-TOP	1
4	L580B007H01	COVER-BOTTOM	1
5	L560B012H01	CHASSIS-MAIN	1
6	L547B031H01	FRAME-R	1
7	L547B030H01	FRAME-L	1
8	L704C030H01	KNOB-VOLUME	1
9	L704D108H01	KNOB-BALANCE	1
10	L704C031H11	KNOB-VR	2
11	L704D105H01	KNOB-POWER	1
12	L704D106H01	KNOB-PUSH	6
13	L704D106H11	KNOB-PUSH	4
14	L704D107H01	KNOB-LEVER	4
15	L547D043H01	HOLDER	1
16	L526D503H02	LINK-PUSH	1
17	L526D503H12	LINK-PUSH	1
18	L526D504H01	LINK	4
19	L576D014H01	SUPPORT-KNOB	1
20	L704C033H01	GUIDE-KNOB	1
21	L704C032H01	GUIDE-POWER, KNOB	1
22	L704C032H11	GUIDE-BY PASS, KNOB	1
23	L704C032H21	GUIDE-INFRA, KNOB	1
24	L704D109H01	GUIDE-KNOB	4
25	L550D037H01	FELT RING	2
26	L550D051H01	FELT RING	1
27	L449Y002H01	AC SOCKET	4
28	L540D501H01	CLAMPER	1
29	L242Y501H01	POWER-CORD	1
30	L531D018H01	SHAFT-GND	1
31	L683D011H01	WASHER-PLANE	1
32	U680S322H04	WASHER-TOOTHED, 4	1
33	L670D004H01	NUT, M3.5	1
34	L840D009H01	COVER-AC SOCKET	1
35	L432Y035H01	SW-POWER	1
36	L250Y163H01	TRANS-POWER	1
38	L771D011H01	RUBBER-FOOT	4
51	U680S322H03	WASHER-TOOTHED, TRANS FIX USE 3	2
52	U650S063H19	SCREW-B, SW FIX, M3*6	2
53	U656S263H23	FRONT PANEL FIX, T-SCREW, 2-3*6	8
54	U650S063H20	HOLDER FIX, SCREW, 3*8	2
55	U656S263H23	FRAME & CHASSIS FIX, 2-3*6	4
56	U656S164H24	RCA JACK FIX, 1-3*8	14
57	U650S063H19	PUSH SW FIX, SCREW-B, M3*6	14
58	L851D071H01	LABEL-WARNING	1
60	U650S025H31	RUBBER-FOOT FIX, SCREW, M4*10	4
61	U656S263H23	COVER BOTTOM FIX, T-SCREW, 2-3*6	8
62	L650D005H01	COVER-TOP FIX, SCREW-B, M4*6	4

# SCHEMATIC DIAGRAM

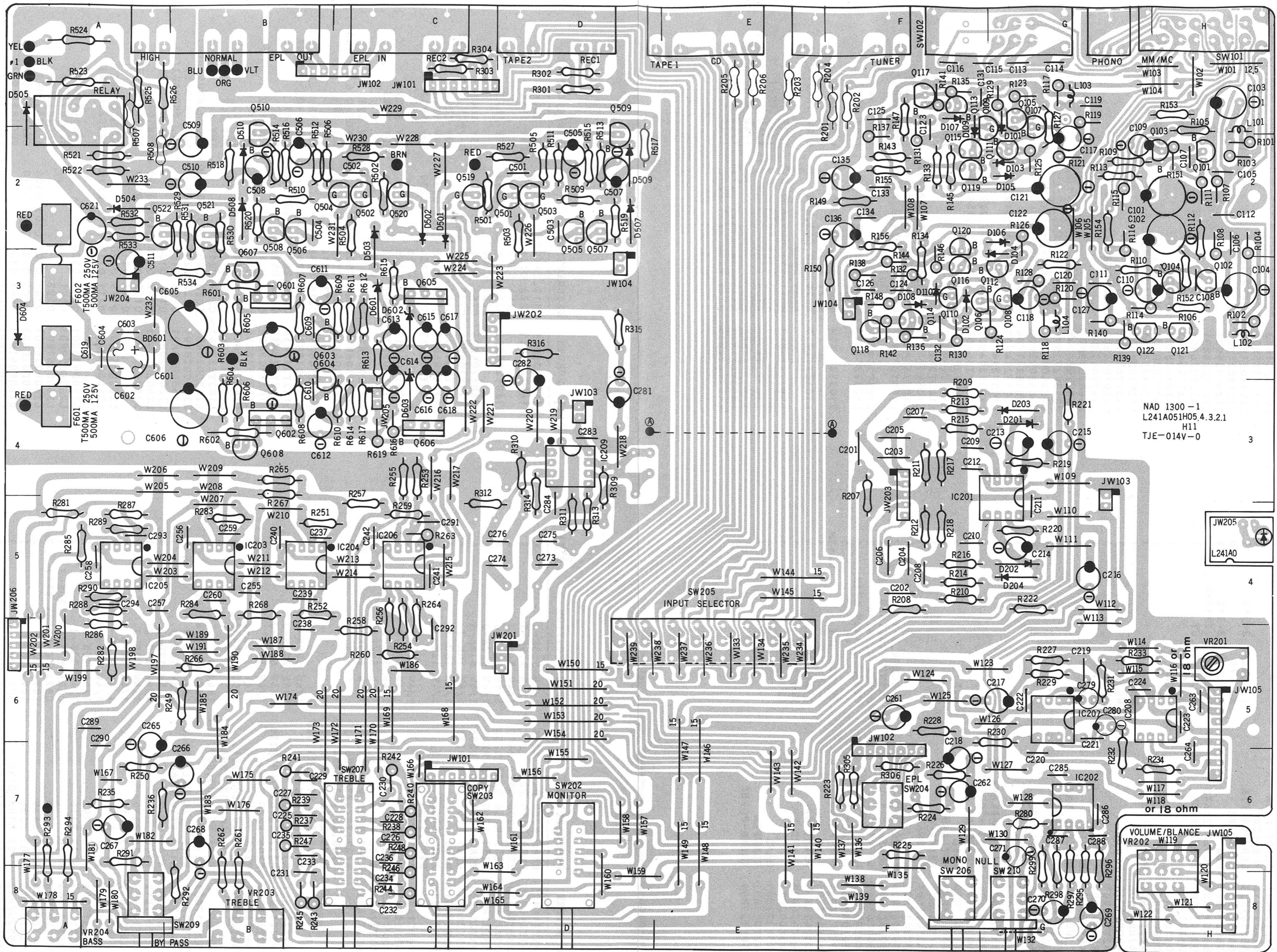


NAD 1300  
SCHEMATIC DIAGRAM

NOTE: W6 ONLY  
C129, C130, C141, C142  
L105, L106  
C501, C502, C513, C514  
C515, C516, C517, C518

R601 R602 AT 120V - 240V USE 22Ω 1W  
AT 220V USE 10Ω 1W

# PCB LAYOUT AND COMPONENT LOCATION



NAD 1300 - 1  
L241A051H05.4.3.2.1  
H11  
TJE-014V-0



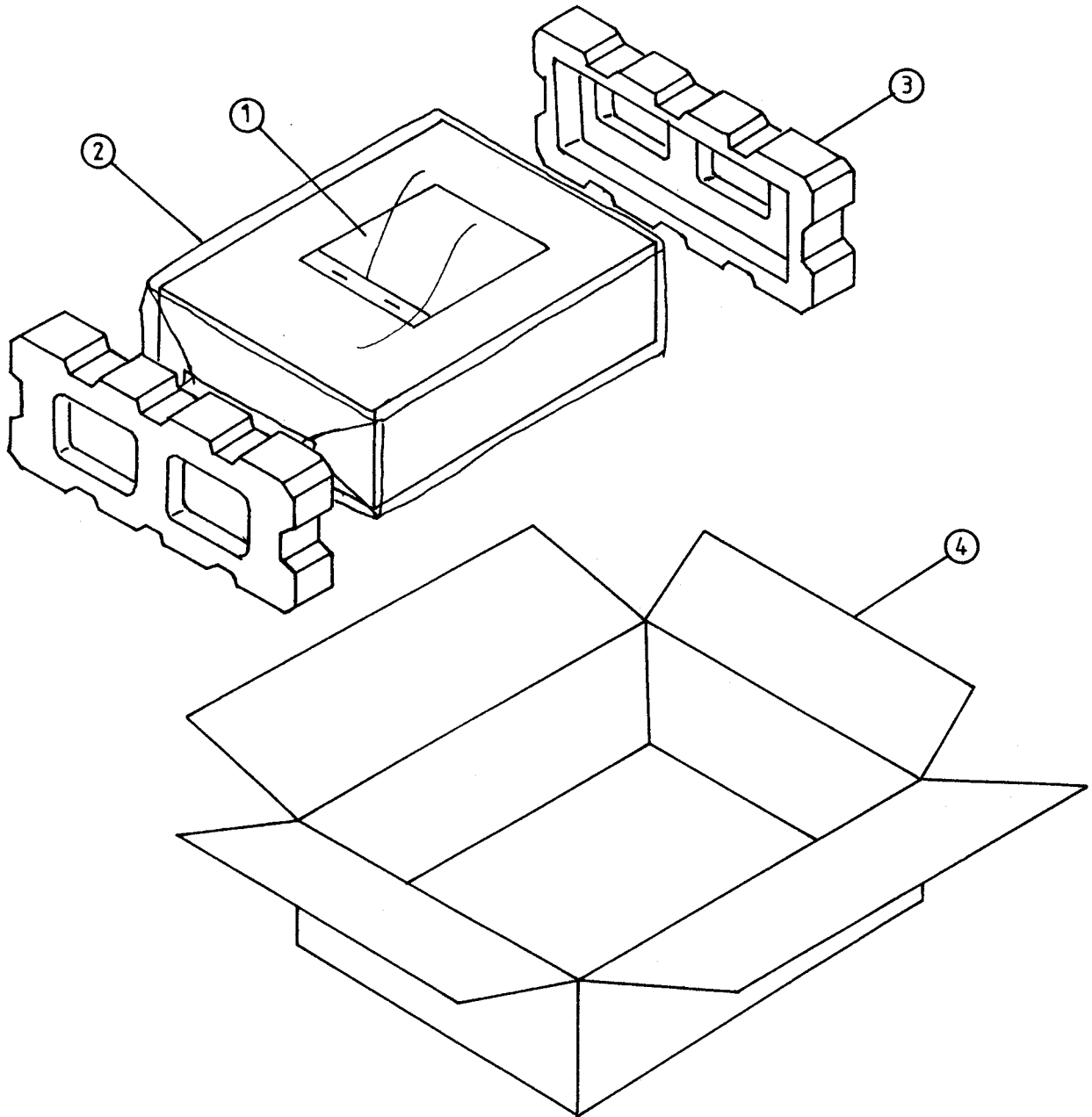
NAD 1300 PARTS LIST

PARTS NUMBER	DESCRIPTION	SPECIFICATION	Q'TY	PARTS NUMBER	DESCRIPTION	SPECIFICATION	Q'TY
L702A038H01	PANEL-FRONT		1	U053S271H05	SOLDER-RESIN		7.2G
L704C033H01	GUIDE-KNOB		1	U085S901H13	CEMEDINE	NO. 575	2G
L704C032H01	GUIDE-POWER	KNOB	1	U085D002H01	BOND-3M		2G
L704C032H11	GUIDE-BY PASS	KNOB	1	U085S093H02	LOCK-TIGHT		1G
L704C032H21	GUIDE-INPRA	KNOB	1	U656S263H23	LED PCB FIX	T-SCREW, 2-3*6	2
L704D109H01	GUIDE-KNOB		4	L073S001H23	TUBE-UL	18MM*1/PCS, 11 DIA 18MM	1
L241A051H12	PCB-LED	T-SCREW, 2-3*6	1	L250Y163H01	TRANS-POWER	(MAIN)	1
U656S263H23	LED PCB FIX		1	L241A051H01	PCB-MAIN		1
U085S091H13	CEMEDINE	NO. 575	1G	L121Y024H01	VR		1
U656S263H23	PCB	T-SCREW, 2-3*6	2	L121Y025H01			1
L683D011H02	POWER TRANS	WASHER, 3.2*10*0.5	2	L121Y026H01			1
L703B039H01	COVER-BACK	US, GP, CN, UT	1	L432Y056H01	SW-PUSH		1
L703B039H02		WG, EU	1	L432Y064H02	PUSH-SW		1
L703B039H03		UK, AS	1	L432Y028H01	SW-PUSH		1
L703B039H04		SA	1	L431Y020H01	SW-SLIDE		1
L242Y501H01	POWER-CORD	US, GP, CN	1	L431Y035H01	CAPACITANCE		1
U242C872H06		UK	1	L437Y001H01	SW-LEVER		1
U242C809H19		WG, EU, SA	1	L437Y002H01			2
U242Y013H01		AS	1	L440Y016H01	JACK-RCA		1
L242C310H01		UT	1	L440Y017H01			4
L449Y002H01	SOCKET		4	L440Y018H01			1
L851D069H01	AC CORD TAG		1	L432Y030H01	SW-PUSH		1
L851D070H01	COLOR CODE TAG		1	U053S271H05	SOLDER-PESIN		10G
L540D501H01	CLAMPER		1	U085S094H07	HOT MELT S-725		1G
L851B004H03	LABEL-DBP		1	U085S093H02	LOCK-TIGHT		0.15G
L531D018H01	SHAFT-GND		1	U053S271H04	SOLDER-RESIN		22G
L670D004H01	NUT	M3.5	1	L103Y214H03	R112, 517, 518, 519, 520	CARBON 1/4W, 22-J	5
L683D011H01	WASHER-PLANE		1	L103Y214H05	R501 R502	1/4W 47-J	2
U680S322H04	WASHER-TOOTHED	4	1	L103Y214H07	R147, 215, 216, 229, 230	1/4W 100-J	5
L840D009H01	COVER-AC SOCKET		1	L103Y214H07	R313, 314, 153, 154, 280	1/4W 100-J	5
L243C421H10	LEAD	BRN	5	L103Y214H09	R133 R134	1/4W 150-J	2
L670D002H01	NUT-GND		1	L103Y214H12	R145	1/4W 270-J	1
L547B030H01	FRAME-L		1	L103Y214H14	R607	1/4W 390-J	1
L432Y035H01	SW-POWER		1	L103Y214H15	R113, 608, 507, 508, 152	1/4W 470-J	5
L432Y034H01			1	L103Y214H16	R261 R262 R293 R294	1/4W 560-J	4
U656S263H24	TRANS FIX	T-SCREW, 2-3*8	2	L103Y214H17	R155, 156, 231, 232, 503	1/4W 680-J	6
U680S322H03	TRANS FIX USE	WASHER-TOOTHED, 3	2		R503, 504		1
U650S063H19	SW FIX	SCREW-B, M3*6	2	L103Y214H17	R612	1/4W 680-J	1
U140Y007H07	C620	CERAMIC 400V 472M	1	L103Y214H19	R201, 202, 203, 204,	1/4W 1K-J	6
L230Y003H01	CONNECTOR		1		R205, 206		6
U073S722H65	TUBE-VINYL	35 DIA BLK	0.65M	L103Y214H19	R301, 302, 305, 306	1/4W 1K-J	6
U838S101H05	BAND		1		R223 R224		6
U243C423H24	POWER SW	LEAD, ORG	1	L103Y214H19	R529, 530, 603, 604	1/4W 1K-J	6
U243C426H26	POWER SW	BLU	1		R605 R606		6
L243C092H25		2P	1	L103Y214H19	R511, 512, 609, 610, 611	1/4W 1K-J	5
U838S101H01	BAND		4	L103Y214H19	R303 R304 R615	1/4W 1K-J	3
L540Y001H01	CLAMPER		1	L103Y214H20	R105 R106	1/4W 1.2K-J	2
L350Y123H01	TRANS-POWER		1	L103Y214H22	R233	1/4W 1.8K-J	1
			1	L103Y214H23	R513, 514, 515, 516, 234	1/4W 2.2K-J	5
			1	L103Y214H25	R249 R250 R251 R252	1/4W 3.3K-J	4

PARTS NUMBER	DESCRIPTION	SPECIFICATION	Q'TY	PARTS NUMBER	DESCRIPTION	SPECIFICATION	Q'TY
L103Y214H25	R267 R268 R283 R284	1/4W 3.3K-J	4	L140Y206H25	C111, 211, 212, 221, 222	25V 104K	5
L103Y214H26	R109 R110 R264	1/4W 3.9K-J	3	L140Y206H25	C223 C224 C239 C240	25V 104K	6
L103Y214H26	R289 R290 R509 R510	1/4W 3.9K-J	4		C241 C242		
L103Y214H30	R255 R256 R257 R258	1/4W 8.2K-J	4	L140Y206H25	C255 C256 C257 C258	25V 104K	6
L103Y214H30	R259 R260 R265 R266	1/4W 8.2K-J	4		C283 C284		
L103Y214H30	R281 R282 R285 R286	1/4W 8.2K-J	4	L140Y206H25	C285 C286	25V 104K	2
L103Y214H31	R253 R254 R287 R288	1/4W 10K-J	4	L172Y306H05	C225 C226 C231 C232	C-POLY, 50V 222J	4
L103Y214H10	R143	1/4W 180-J	1	L172Y306H05	C133	50V 222J	1
L103Y214H32	R505, 506, 614, 613,	1/4W 12K-J	6	L172Y306H09	C227 C228 C233 C234	50V 472J	4
	R309, 310			L172Y306H13	C123 C124 C229 C230	50V 103J	6
L103Y214H35	R213 R214 R513	1/4W 22K-J	3		C235 C236		
L103Y214H36	R532 R533	1/4W 27K-J	2	L172Y306H19	C125 C126	50V 333J	2
L103Y214H37	R127 R149 R150	1/4W 33K-J	3	L172Y306H25	C207 C208 C273 C274	50V 104J	6
L103Y214H40	R122	1/4W 56K-J	1		C275 C276		
L103Y214H43	R207, R208, R211, R212,	1/4W 100K-J	26	L172Y306H17	C619	50V 223J	1
	R221, 222, 225, 226, 227			L172Y306H02	C505 C506 C511	ELECT-C 6.3V 100	3
	R228, 235, 236, 291, 292			L172Y306H34	C109 C110 C135 C136	25V 10	6
	R295 R296 R297 R298				C213 C214		
	R299, 315, 316, 521, 522			L172Y306H34	C215 C216	25V 10	2
	R527 R528 R617			L182Y322H37	C261 C262 C265 C266	ELECT-C, 25V 47	4
L103Y214H47	R311 R312	1/4W 100K-J	2	L182Y322H37	C267, 268, 271, 281, 282	25V 47	5
L103Y214H91	R217 R218 R219 R220	1/4W 620K-J	4	L182Y322H37	C617 C618	25V 47	2
L103Y214H55	R209 R210 R534	1/4W 1M-J	3	L182Y322H38	C509 C510	25V 100	2
L264Y220H01	R263	1/4W 3.9K-J	1	L182Y322H45	C611 C612	35V 10	2
L264Y220H01	D201, 202, 203, 204,	DIODE 1N4148	13	L182Y322H61	C117 C118	35V 22	2
	D501, 502, 503, 504			L182Y322H63	C217 C218	50V 2.2	2
	D505, 507, 508, 509, 510			L262C020H04	IC201, 202, 203, 204, 205	50V 4.7	2
L103Y317H03	R111	1N4148	1	L262C020H04	IC206, 207, 208, 209	IC, NJM2043D(D)	5
L103Y317H07	R123 R124 R125 R126	CARBON, 1/4W 22-J	4	L260D020H04	Q101 Q102	NJM2043D(D)	4
L103Y317H07	R129 R130 R148	1/4W 100-J	3	L260D020H03	Q103 Q104	TR, 2SC2602(G)	2
L103Y317H08	R108	1/4W 120-J	1	L260D066H03	Q107 Q108 Q109 Q110	2SA1015(GR)	2
L103Y317H12	R146	1/4W 270-J	1	L260D057H01	Q105 Q106 Q113 Q114	2SK163(M)	4
L103Y317H09	R135 R136	1/4W 150-J	2		Q117 Q118	2SA970(GR)	6
L103Y317H19	R139 R616	1/4W 1K-J	2	L260D057H01	Q119 Q120	2SA970(GR)	2
L103Y317H24	R101 R102	1/4W 2.7K-J	2	L260D058H01	Q111 Q112 Q115 Q116	2SC2240(GR)	6
L103Y317H27	R117	1/4W 4.7K-J	1		Q121 Q122		
L103Y317H31	R141 R142	1/4W 10K-J	2	L260D036H01	Q519 Q520	2SK363(GR)	2
L103Y317H37	R115 R116	1/4W 33K-J	2	L260D020H03	Q521	2SA1015(GR)	1
L103Y317H44	R140	CARBON 1/4W 120K-J	1	L260S061H03	Q522	2SC1815(GR)	1
L140Y206H48	C289 C290	CERAMIC-C 50V 331J	2	L260D036H01	Q501 Q502 Q503 Q504	2SK363(GR)	4
L140Y206H20	C609 C610	50V 22J	2	L260D020H03	Q505 Q506 Q509 Q510	2SA1015(GR)	4
L140Y206H22	C503 C504	50V 27J	2	U260S061H03	Q507 Q508	2SC1815(GR)	2
L140Y206H32	C107 C108 C132	50V 68J	3	L260D024H05	Q601 Q605	2SD669A(C)	2
L140Y206H36	C115 C116 C119 C120	50V 101J	6	L260D021H05	Q602 Q606	2SB649A(C)	2
	C163 C164			L260D058H01	Q603 Q607	2SC2240(GR)	2
L140Y206H36	C237, 238, 259, 260, 287	50V 101J	5	L260D057H01	Q604 Q608	2SA970(GR)	2
L140Y206H44	C113 C114 C209 C210	50V 221J	4	U264S003H01	D604	DIODE, 10E1	1
L140Y206H52	C501 C502	50V 471J	2	U264D037H01	D101 D102 D103 D104	1N4148	6
L140Y206H11	C219 C220	50V 821K	2		D105 D106		
L140Y206H12	C105 C106	50V 102K	2				

PARTS NUMBER	DESCRIPTION	SPECIFICATION	Q'TY	PARTS NUMBER	DESCRIPTION	SPECIFICATION	Q'TY
U264D037H01	D107 D108 D109 D110	1N4148	4	U140S005H03	C513 C514	50V 102K	2
L264C003H69	D601	UZ-24B(M)	1	U150S008H44	C3301 C302	50V 221J	2
L264C003H63	D602 D603	UZ-20B(M)	2	C112		25V 104K	1
L264D017H01	BD601	PB1533M	1	LUG-TERMINAL			1
L351Y018H01	L101 L102	COIL-TORIC, 100 uH	2	JW101		LEAD, 7P	1
L351Y004H01	L103 L104	COIL-TORIC, 3.7 MH	2	JW102		7P	1
L286Y001H01	RELAY	MS2 DC24V	1	JW103		9P	1
L127Y003H02	VR201	VR, 1K B	1	JW104		2P	1
L457D501H01	FUSE-HOLDER		1	JW105		20	1
U685S223H01	PIN		4	JW202		5P	1
U283S017H07	FUSE	500MA-UL	3	JW203		5P	1
U283S022H15		500MA-SEMKO	2	JW201		3P	1
U103S017H08	R107	CARBON, 1/4W 120-J	2	JW204		5P	1
U103S017H15	R114 R151	1/4W 470-J	2			BLK	1
U103S017H27	R118	1/4W 4.7K-J	1			BRN	1
U103S017H37	R128	1/4W 33K-J	1			RED	1
U103S017H40	R121	1/4W 56K-J	1			ORG	1
U103S017H51	R119 R120	1/4W 470K-J	2			YEL	1
U103S017H10	R144	1/4W 180-J	1			GRN	1
U103S017H26	R619	1/4W 3.9K-J	1			BLU	1
U103S017H22	R103 R104	1/4W 1.8K-J	2			PPL	1
U103S017H62	R237 R238 R239 R240	1/4W 4.7M-J	6			(LED)	1
	R241 R242		6			SE2021	1
U103S017H62	R243 R244 R245 R246	1/4W 4.7M-J	6			2P	1
	R247 R248		6			BLK	1
U103S037H29	R131 R132	1/4W 7.5K-J	2			BLK	1
U103S037H58	R137 R138	1/4W 95K-J	2			RADIATORE	2
U105S007H11	R523 R524	R-METER 1W 68-J	2			2-3*6	2
U105S007H13	R525 R526	1W 100-J	2			(HEADPHONE)	1
U105S007H01	R601 R602	1W 10-J	2			SW-LEVER	1
U105S007H05	R601 R602	1W 22-J	2			SW-PUSH	1
U150S008H32	C134	C-CERAMIC, 50V 68J	1			RED	1
U150S008H36	C288, 291, 292, 293, 294	C-CERAMIC, 50V 101J	5				1
U172S006H29	C201 C202	G-POLY 50V 224J	2				3G
U172S006H28	C205 C206	50V 184J	2				4G
U172S006H05	C134	50V 222J	1			CARBON 1/4W 4.7M-J	6
U172S006H27	C2303 C204	50V 154J	2				6
U182S022H63	C269 C270	C-ELECT 50V 4.7	2			1/4W 4.7M-J	6
U182S022H65	C621	50V 22	1				4
U182S022H35	C615 C616	25V 22	2			C-POLY 50V 104J	4
U182S022H25	C507 C508	16V 47	2			50V 274J	4
U182S022H23	C279 C280	16V 22	2			50V 564J	4
U182S022H06	C103 C104	6.3V 1000	2				4
U182S022H28	C121 C122	16V 330	2			RUBBER-FOOT	4
U182S022H39	C101 C102	25V 220	2			LABEL-QA	1
U182S022H50	C607 C608	35V 220	2			CUSHION-PCB	2
U182S022H71	C605 C606	50V 470	2			CUSHION-PCB	1
U182S022H37	C127	25V 47	1			COVER-PVC	1
U150S008H36	C515 C516	C-CERAMIC 50V 101J	2			RUBBER-FOOT FIX	4
U150S008H52	C129 C130	50V 471J	2			SCREW-P, M4*10	4

# PACKING DIAGRAM



## PACKING LIST FOR NAD-1300

ITEM	PARTS NO.	NAME	Q'TY
1	L871B003H01	OWNER'S MANUAL	1
2	L831D003H01	PE BAG	1
3	L813A013H01	POLYLON	2
4	L800B020H01	GIFT BOX	1

# SERVICE MANUAL

**1300**  
STEREO PREAMPLIFIER

**NAD ELECTRONICS**  
BOSTON/LONDON