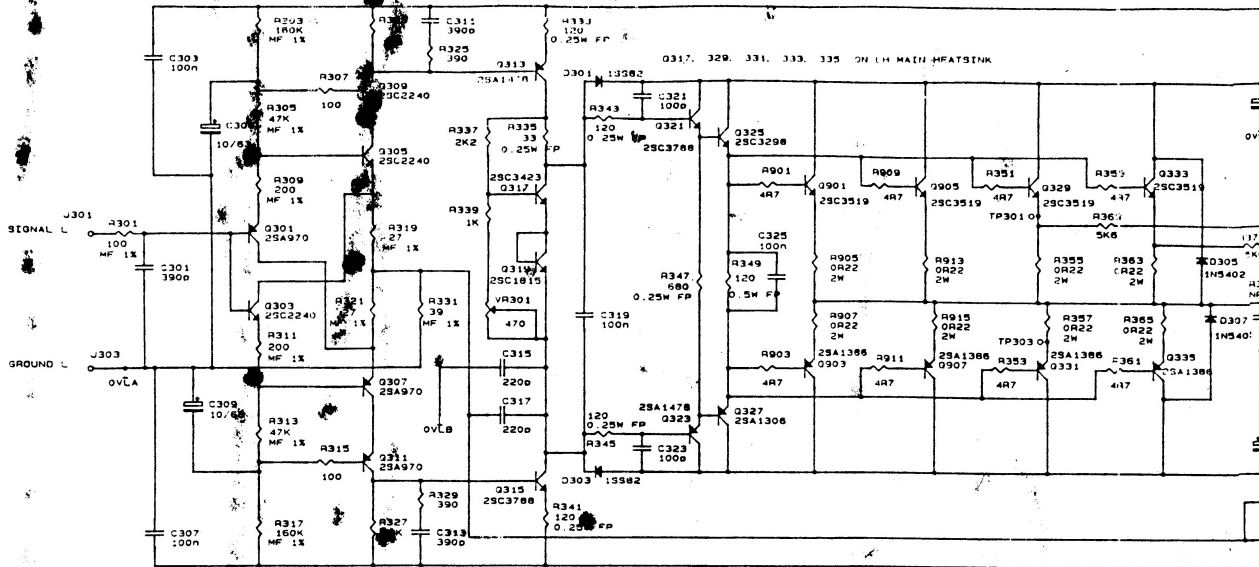
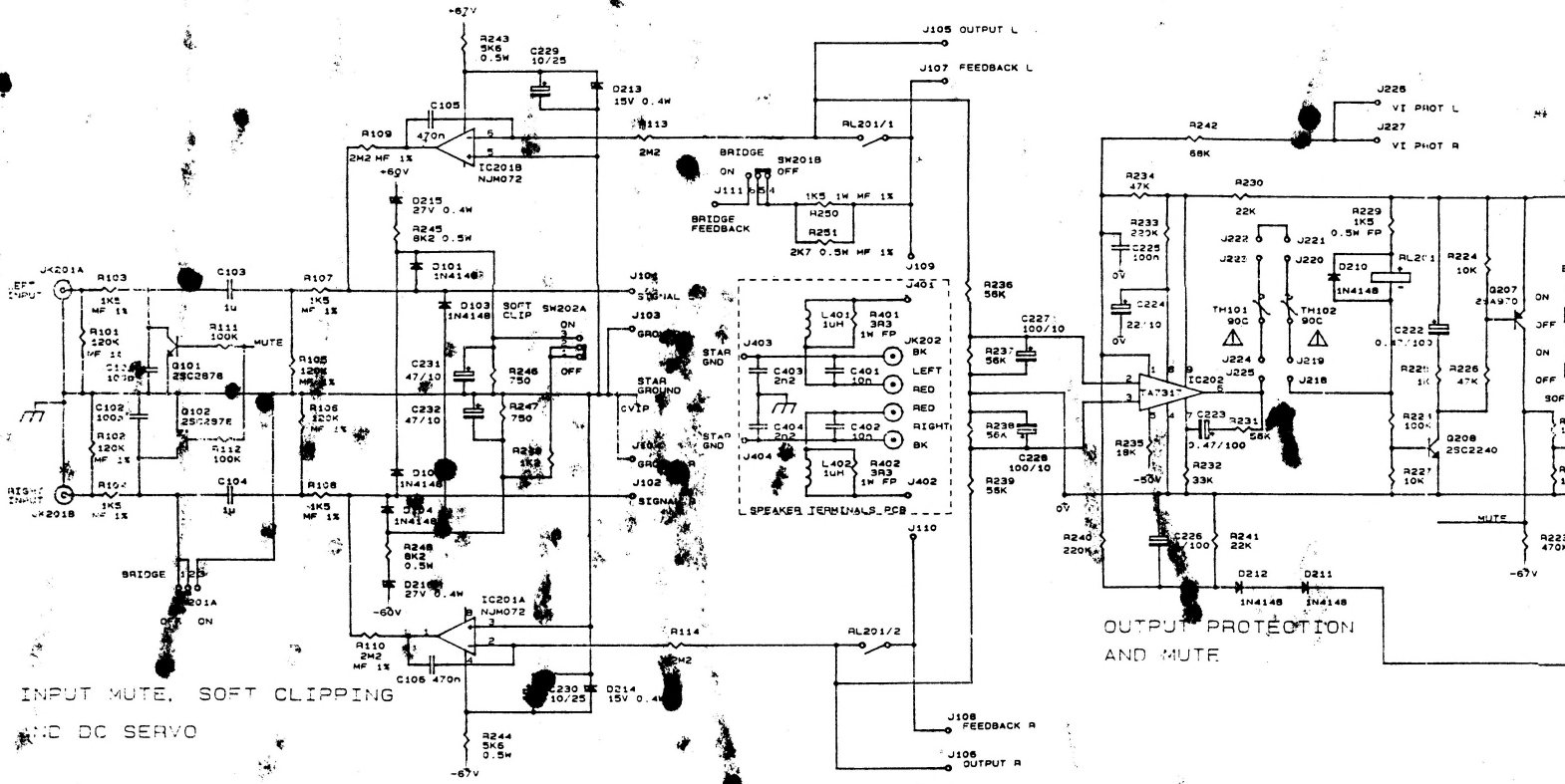


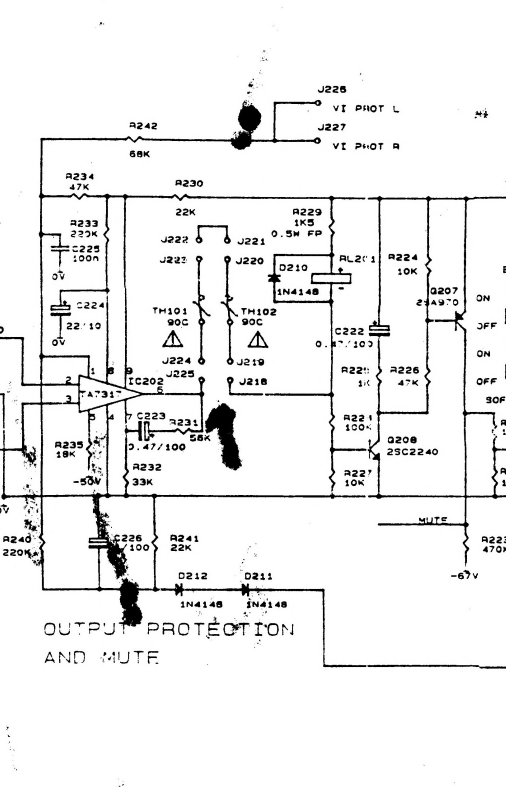
LEFT CHANNEL
POWER AMPLIFIER



INPUT MUTE, SOFT CLIPPING
AND DC SERVO



OUTPUT PROTECTION
AND MUTE



RIGHT CHANNEL
POWER AMPLIFIER

