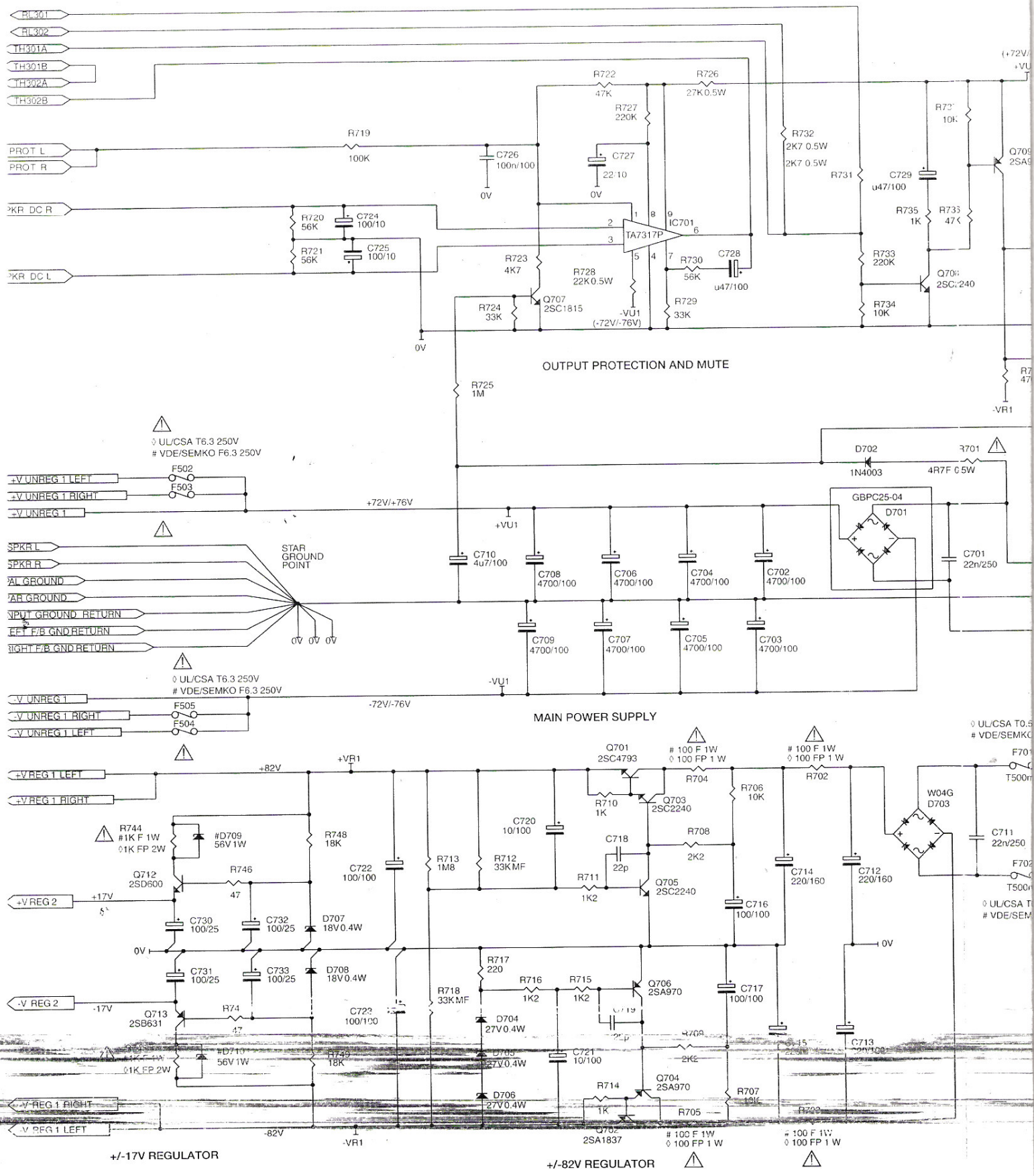
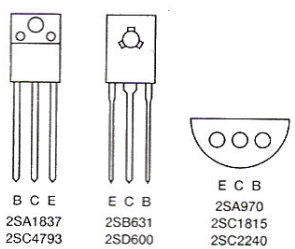
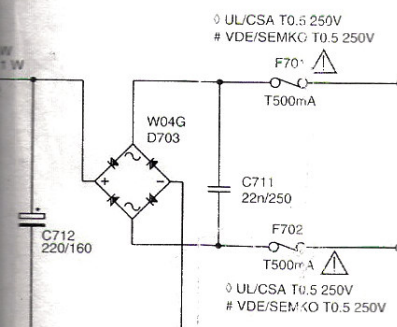
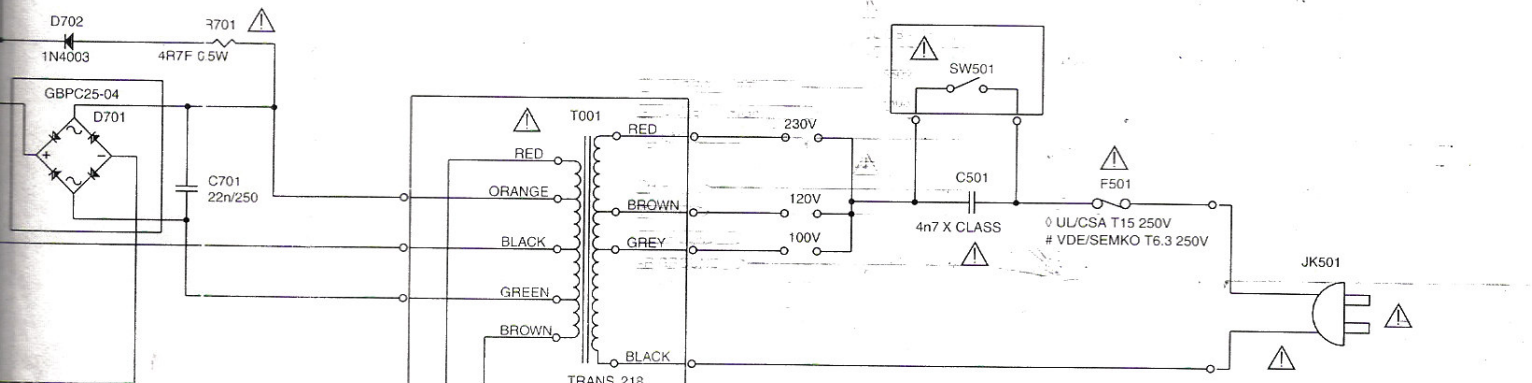
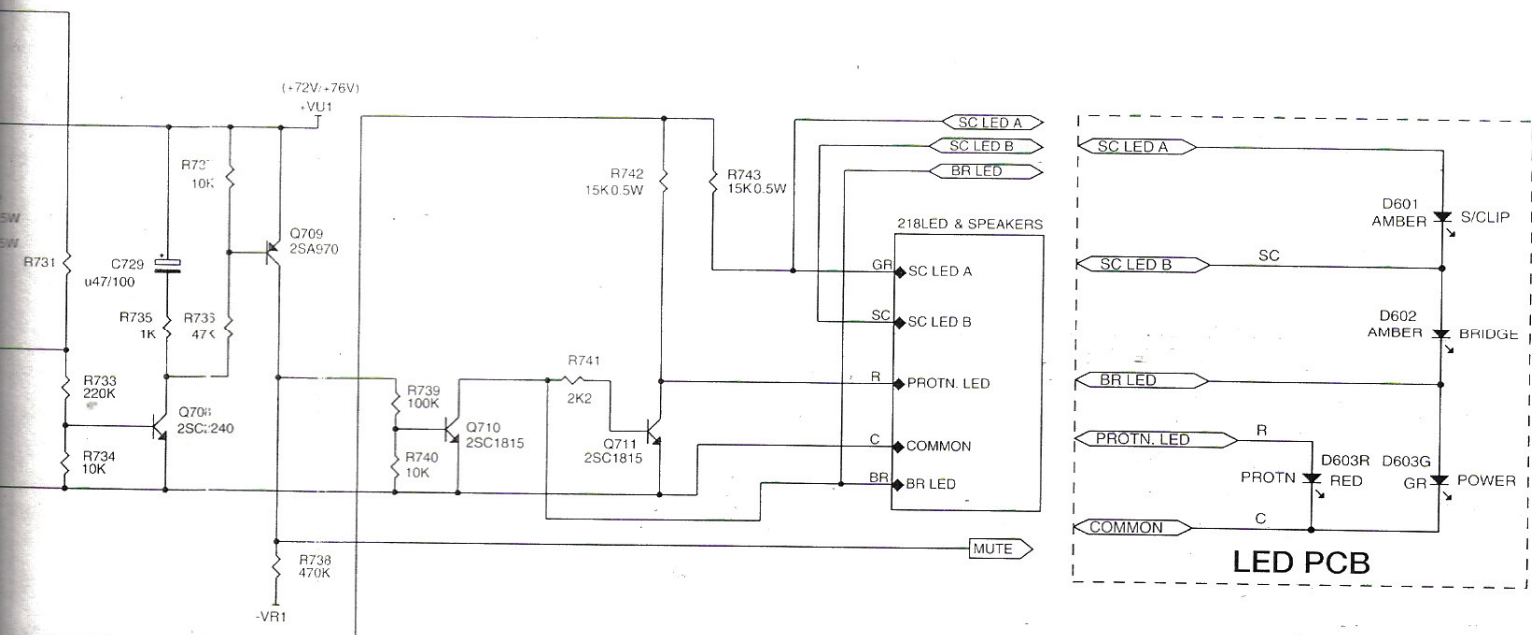


CHEMATIC DIAGRAM

SU





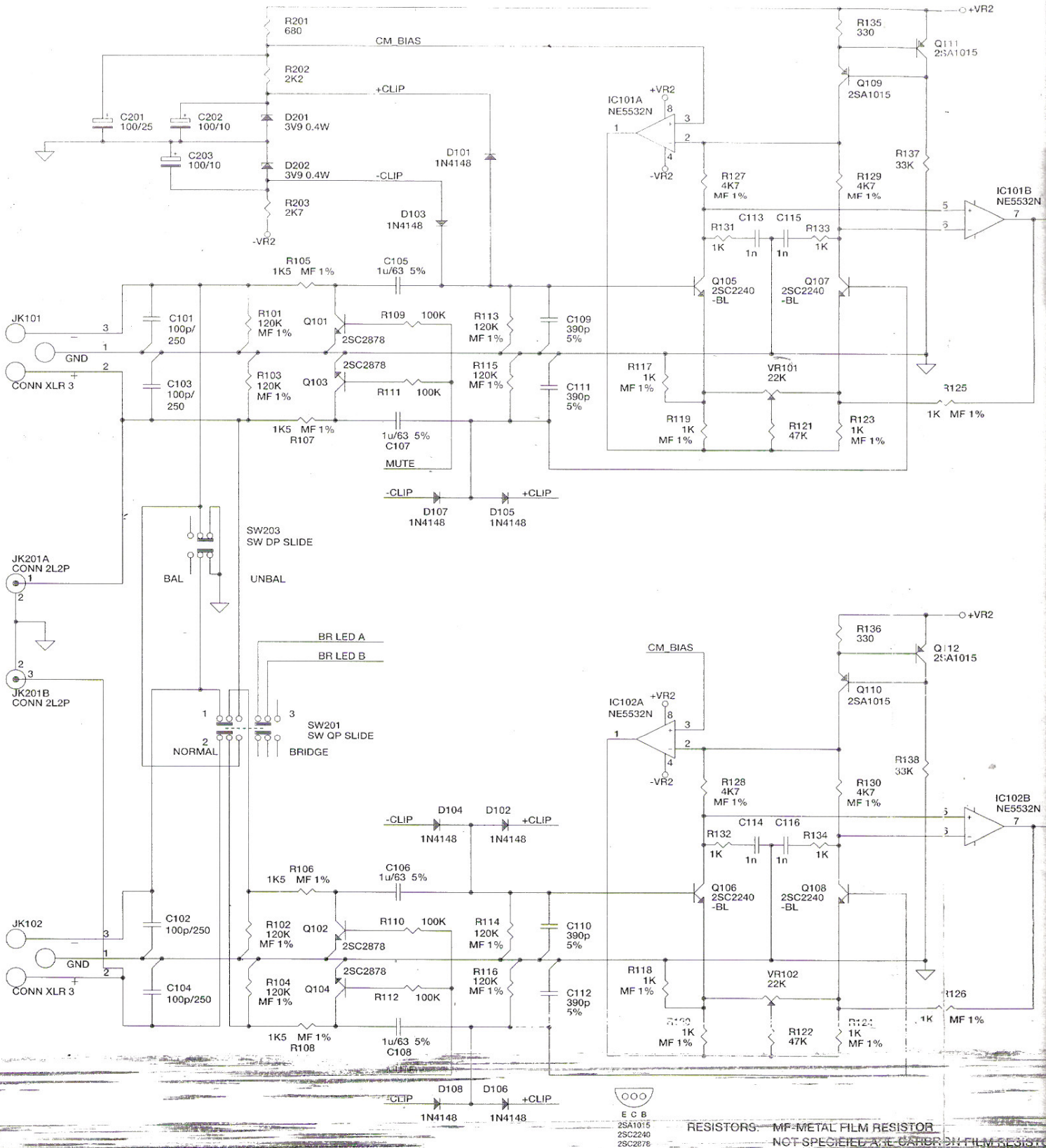
VOLTAGE CHART OF IC701, TA7317P

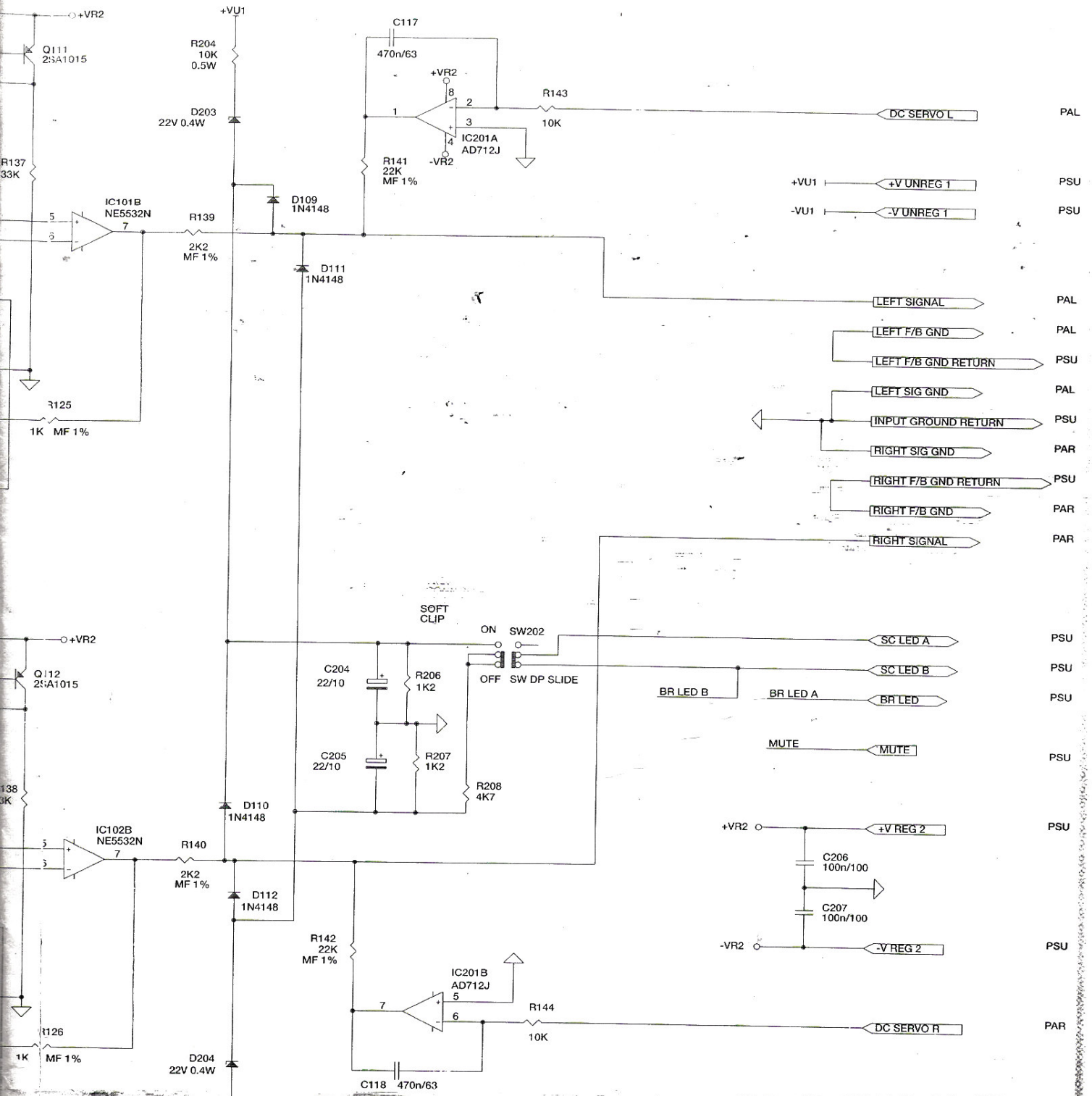
PIN NO.	MEASURED VOLTAGE
1	0.3
2~4	0
5	-0.77
6	1.02
7	0
8	1.32
9	3.13

RESISTORS: MF - METAL FILM
 F - FUSIBLE
 FP - FLAME PROOF
 UNLESS OTHERWISE SPECIFIED ARE CARBON FILM

- NOTE: 1. COMPONENTS MARKED WITH " # " ARE OPTIONAL ONLY.
 2. COMPONENTS MARKED WITH " ◊ " ARE AN ALTERNATIVE.
 3. RESISTORS, UNLESS OTHERWISE SPECIFIED, ARE 1/4 WATT.
 4. ALL CERAMIC CAPACITOR, UNLESS OTHERWISE SPECIFIED, ARE 50V, 10%.
 5. ALL ELECTRICAL PARTS ARE SAFETY CRITICAL PART.

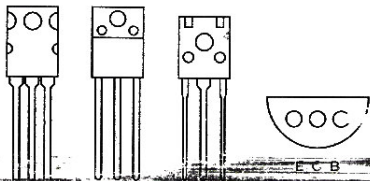
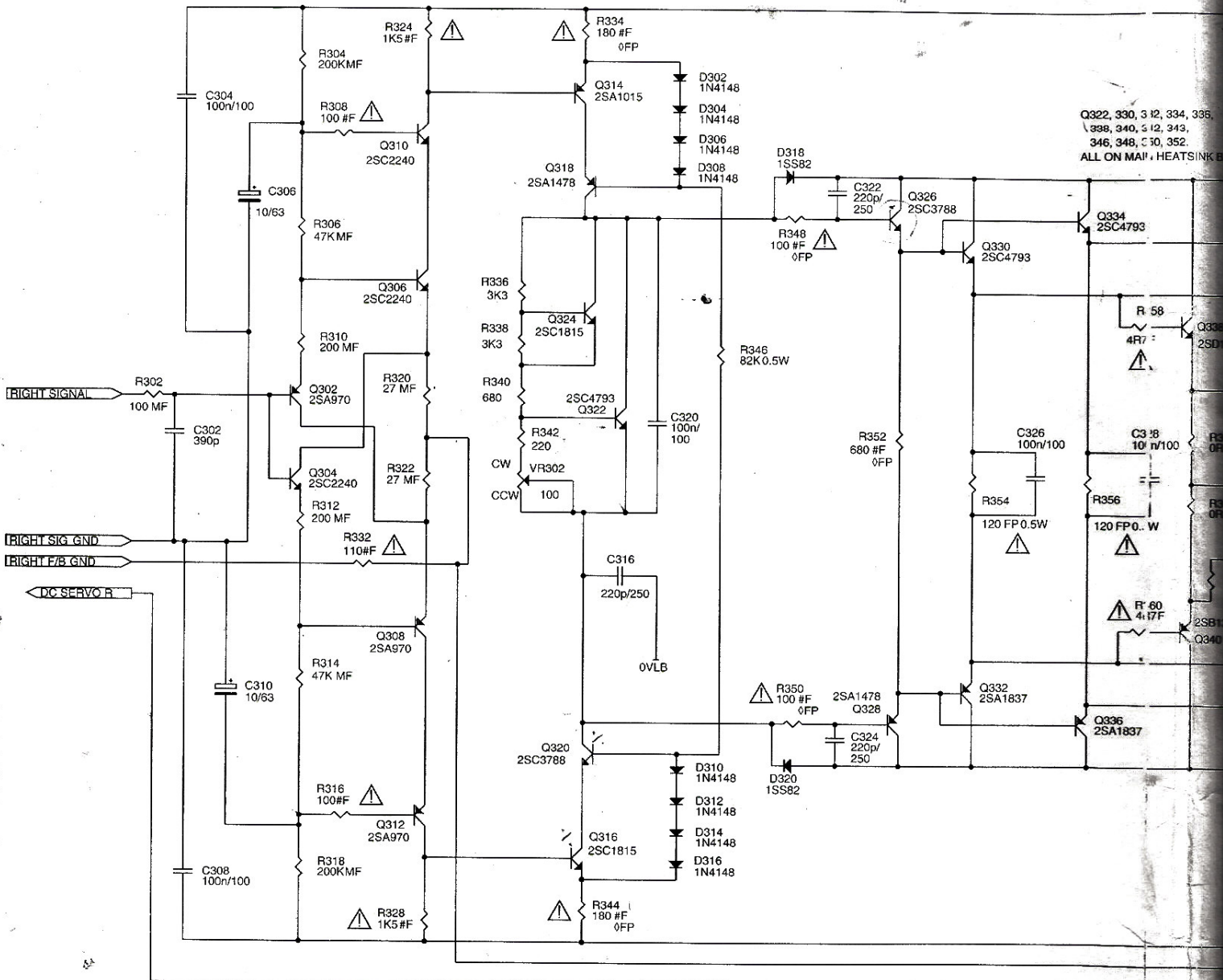
INPUT AMPLIFIER





NOTE: 1. RESISTORS, UNLESS OTHERWISE SPECIFIED, ARE 1/4 WATT.

STEREO POWER AMPLIFIER RIGHT CHANNEL



E C B
 2SB1317
 2SD1975

B C E
 2SA1837
 2SC4793

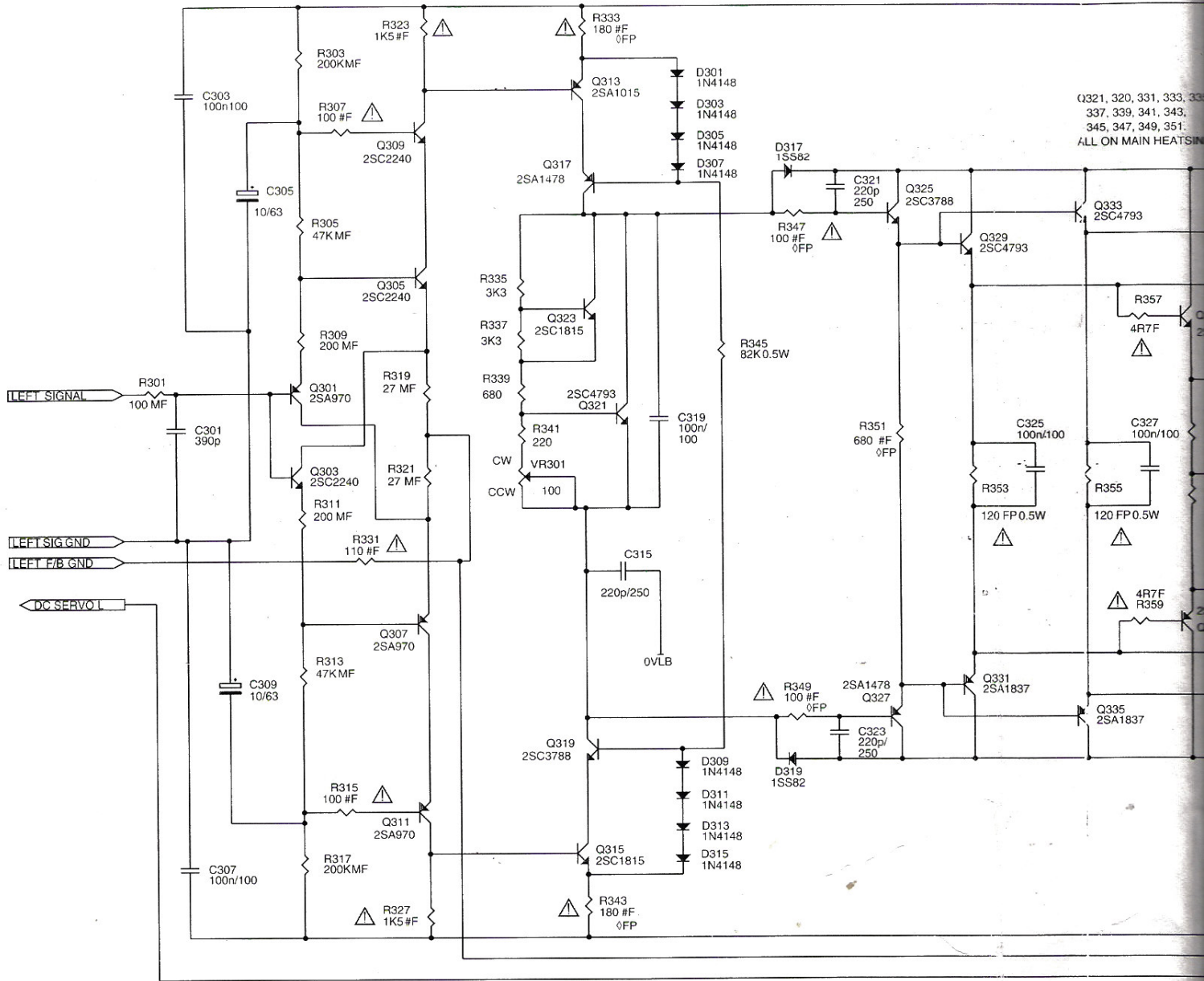
E C B
 2SA1478
 2SC3788

E C B
 2SA970
 2SC1815
 2SC2240
 2SC3788

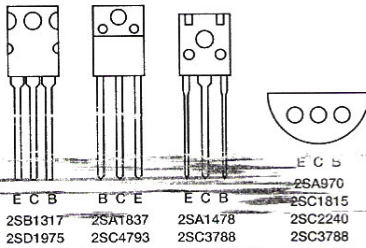
RESISTORS: MF - METAL FILM
 FP - FLAME PROOF
 NOT SPECIFIED ARE CARBON FILM

NOTE: 1. RESISTORS, UNLESS OTHERWISE SPECIFIED, ARE CARBON FILM.
 2. COMPONENTS MARKED WITH "△" ARE SAFETY CRITICAL.
 3. COMPONENTS MARKED WITH "F" ARE FLAME PROOF.
 4. ALL CERAMIC CAPACITORS ARE CARBON FILM.
 5. MARKED WITH "△" ARE SAFETY CRITICAL.

STEREO POWER AMPLIFIER LEFT CHANNEL



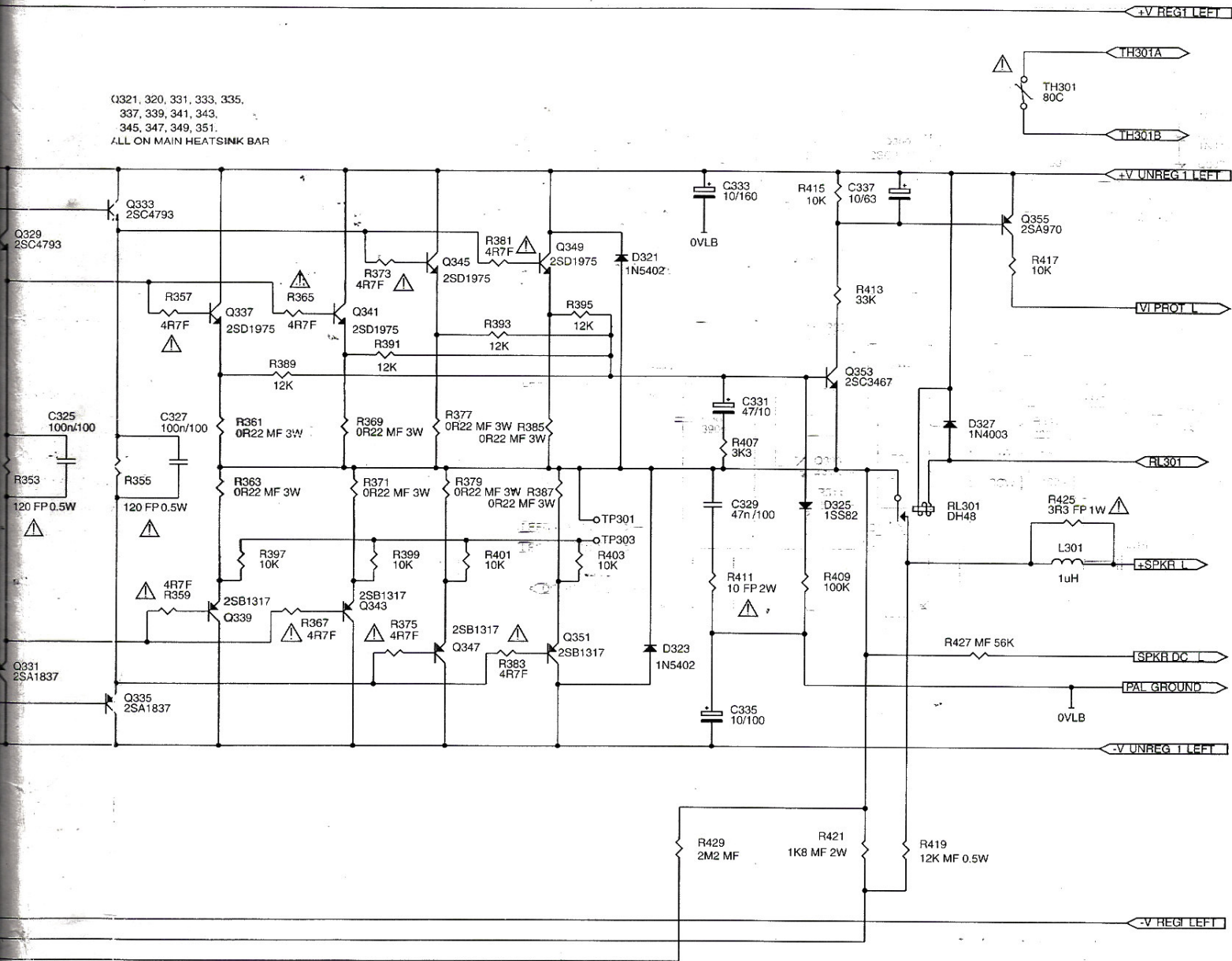
(Q321, 320, 331, 333, 335, 337, 339, 341, 343, 345, 347, 349, 351, ALL ON MAIN HEATSINK)



RESISTORS - MF - METAL FILM
 E - FUSIBLE
 FP - FLAME PROOF
 NOT SPECIFIED ARE CARBON FILM

- NOTE:
1. RESISTORS, UNLESS OTHERWISE SPECIFIED
 2. COMPONENTS MARKED WITH "△" ARE METAL FILM
 3. COMPONENTS MARKED WITH "E" ARE FUSIBLE
 4. ALL CERAMIC CAPACITORS ARE 50V
 5. MARKED WITH "△" ARE CARBON FILM

Q321, 320, 331, 333, 335,
337, 339, 341, 343,
345, 347, 349, 351.
ALL ON MAIN HEATSINK BAR



1. RESISTORS, UNLESS OTHERWISE SPECIFIED, ARE 1/4 WATT.
2. COMPONENTS MARKED WITH "C" ARE C VERSION ONLY.
3. COMPONENTS MARKED WITH "A" ARE A1 VERSION ONLY.
4. ALL CERAMIC CAPACITORS, UNLESS OTHERWISE SPECIFIED, ARE 50V, 10%.
5. MARKED WITH "△" ARE SAFETY CRITICAL PART.

