

SERVICE MANUAL



2700
POWER
AMPLIFIER

2700
POWER
AMPLIFIER

ALIGNMENT PROCEDURES

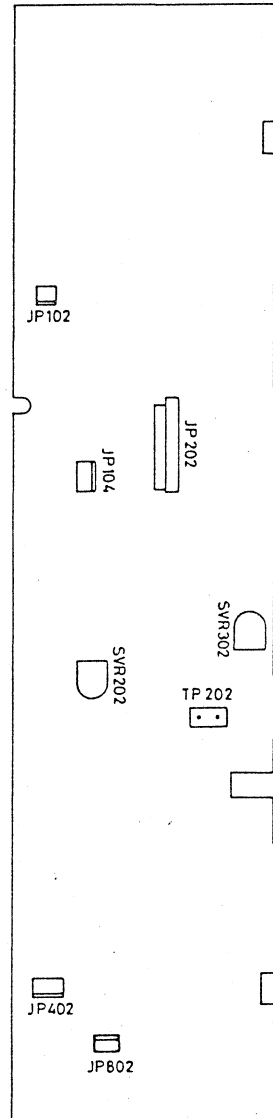
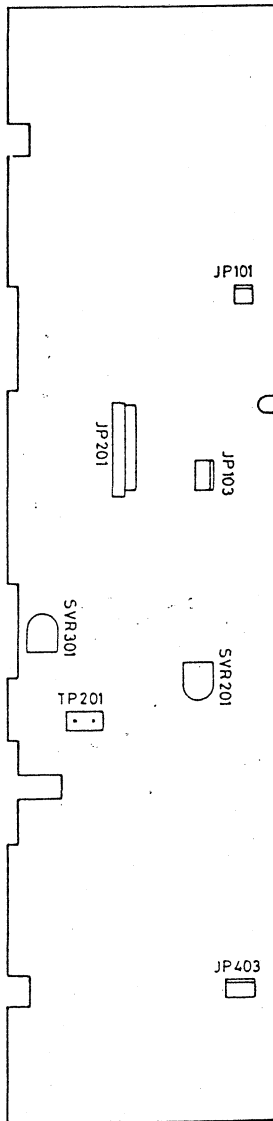
Condition

- Preheat more than 15 minutes
- Speaker load 8 ohms (dummy or speaker)
- Input No signal

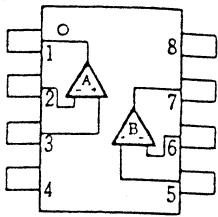
Step	Output Indication Connection	Adjustment	Adjust for
CENTER DC VOLTAGE			
1	DC digital voltmeter Speaker terminals	SVR201 (L ch) SVR202 (R ch)	0±5 mV
IDLING			
2	DC digital voltmeter TP201/TP202 (L/R)	SVR301 (L ch) SVR302 (R ch)	7.5±0.5mV

MAL-P.C. Board

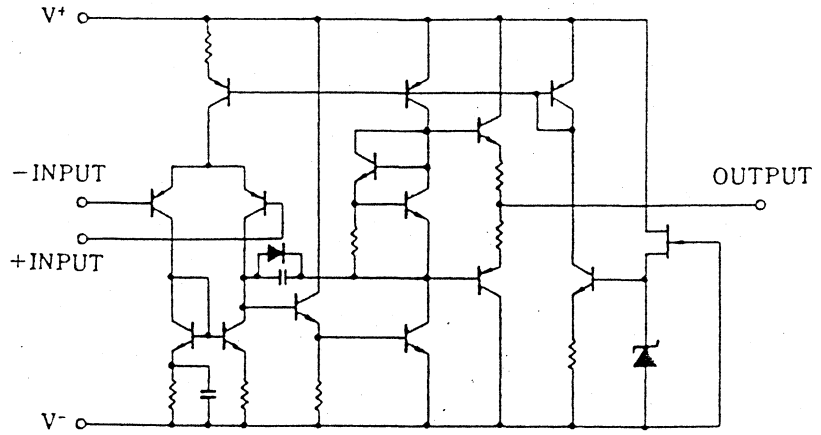
MAR-P.C. Board



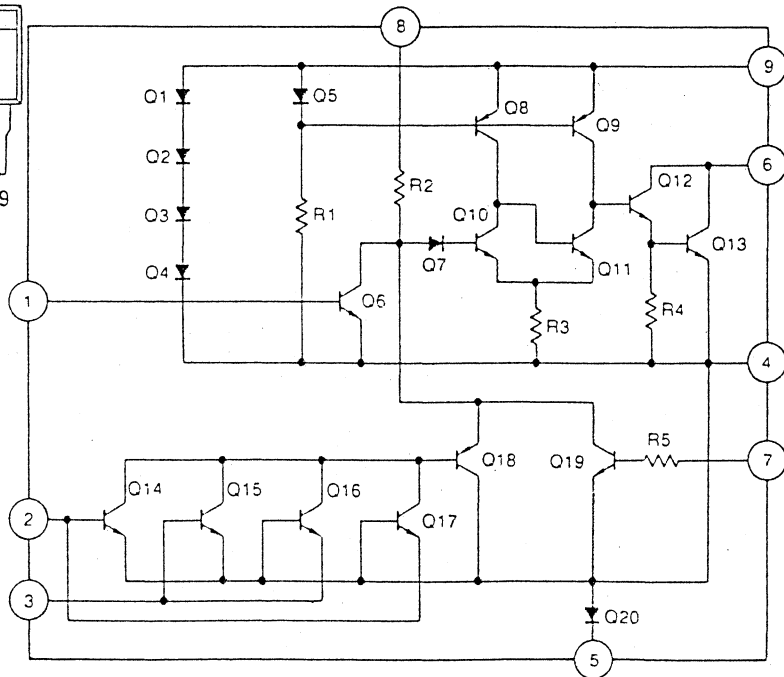
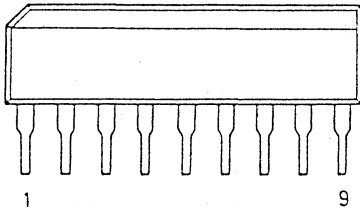
IC101, IC102 : NJM 2043DD



- 1. A OUTPUT
- 2. A-INPUT
- 3. A+INPUT
- 4. V-
- 5. B+INPUT
- 6. B-INPUT
- 7. B OUTPUT
- 8. V+

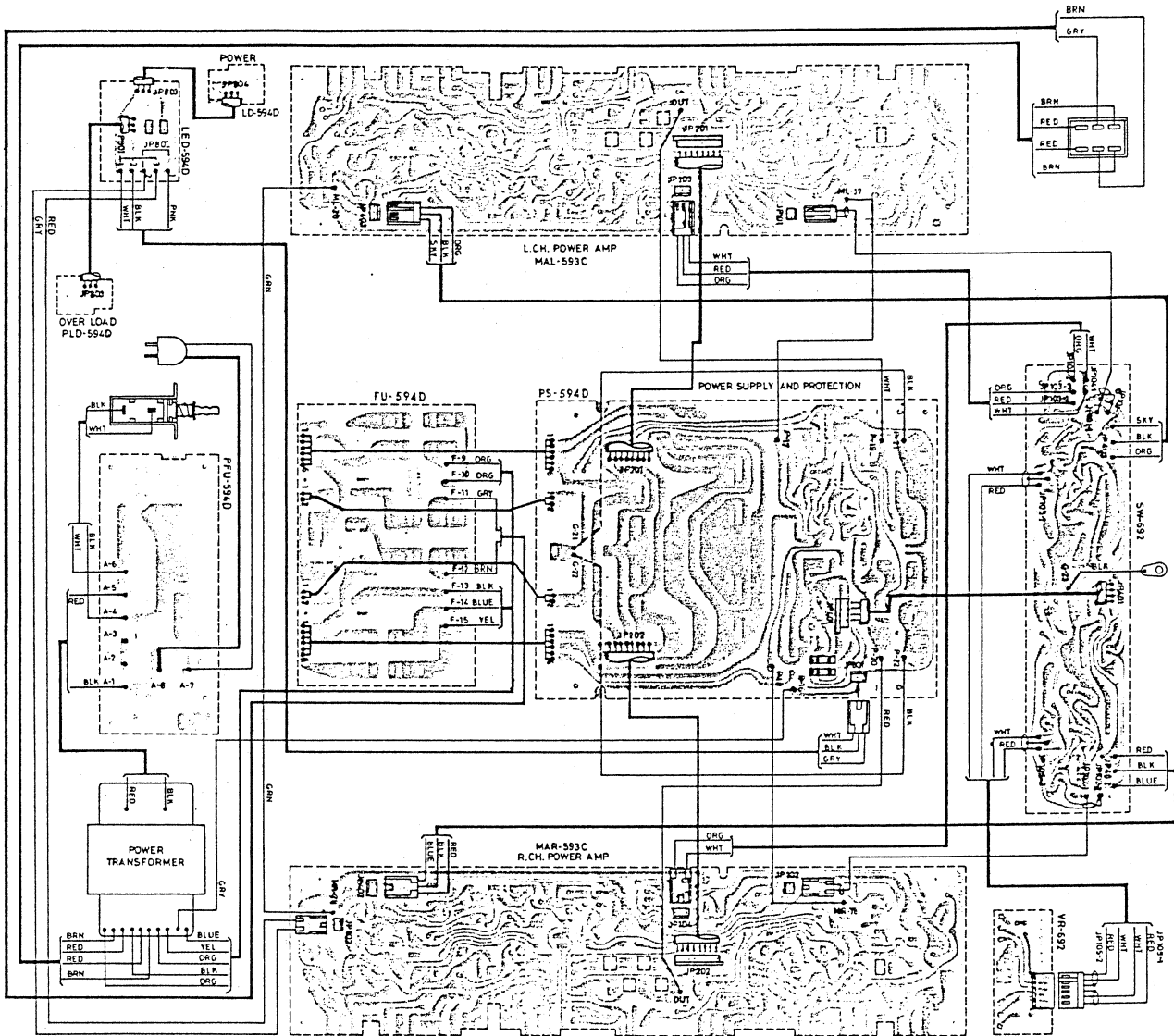


IC403: TA7317P

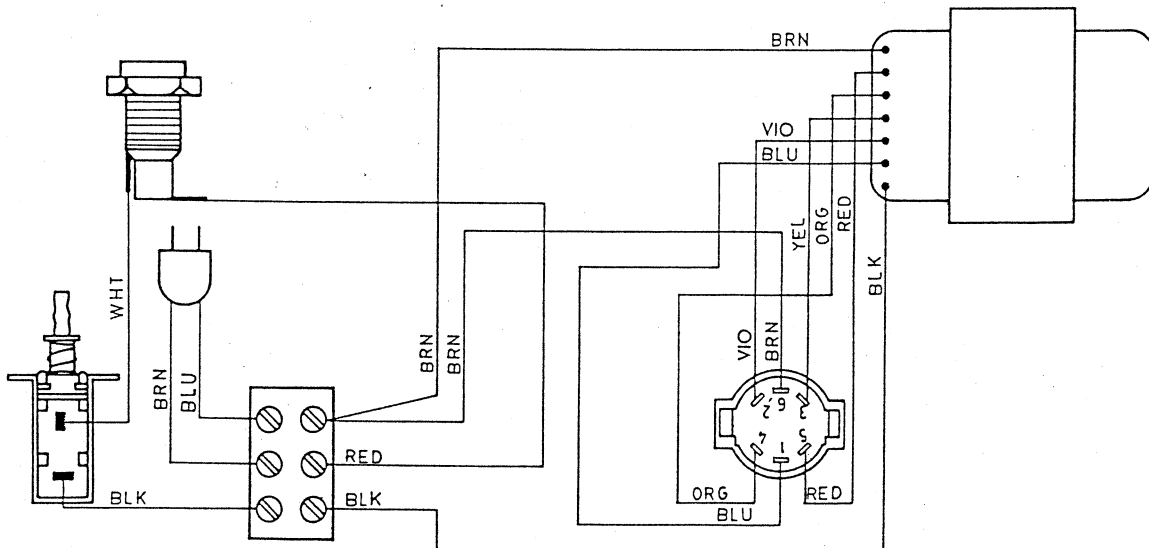


WIRING DIAGRAM (Component side)

[A, A1]-Version for U.S.A., Canada

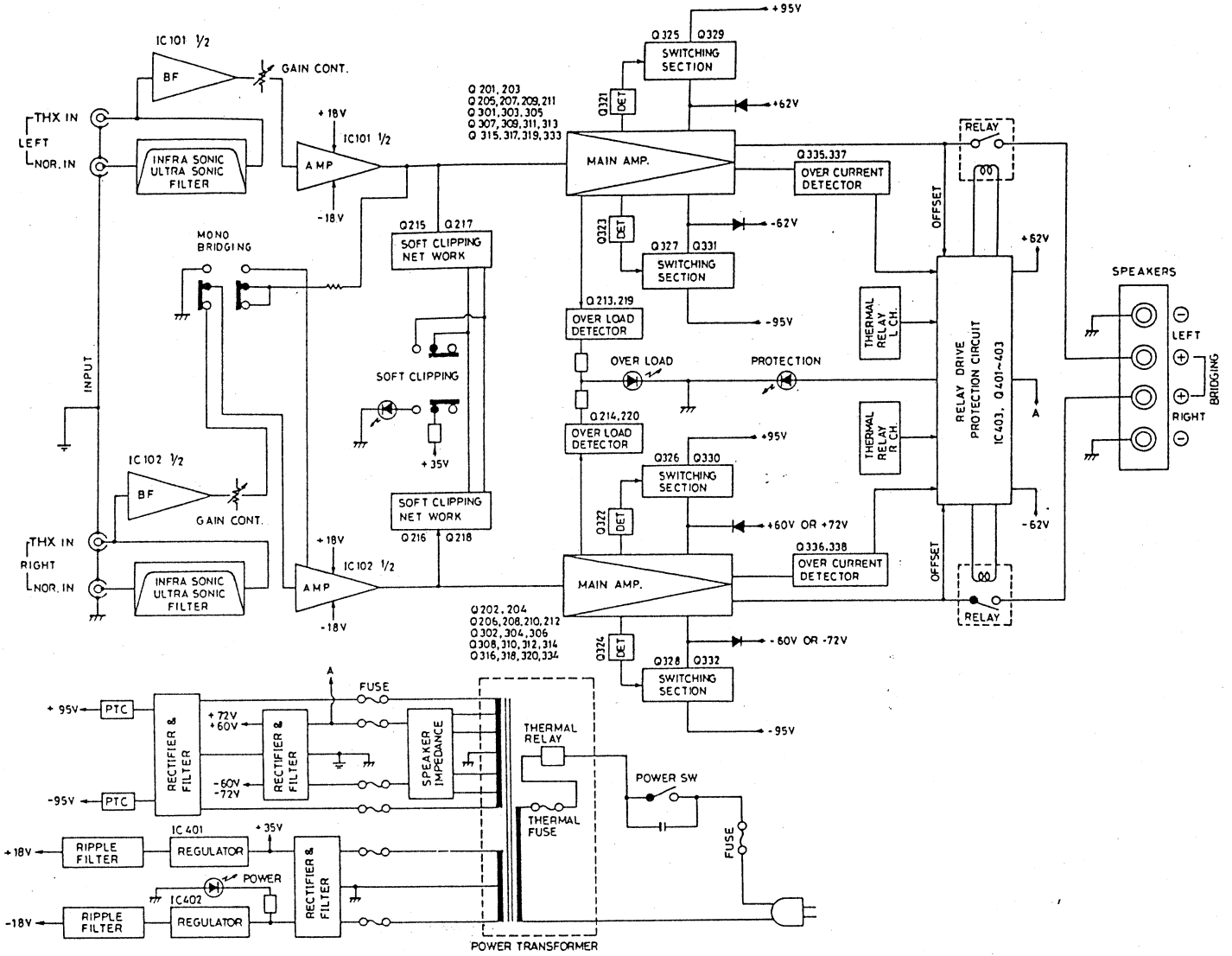


[B, B1, C]-Version for U.K., Australia / N.Z., Scandinavia, W.Germany



BLOCK DIAGRAM

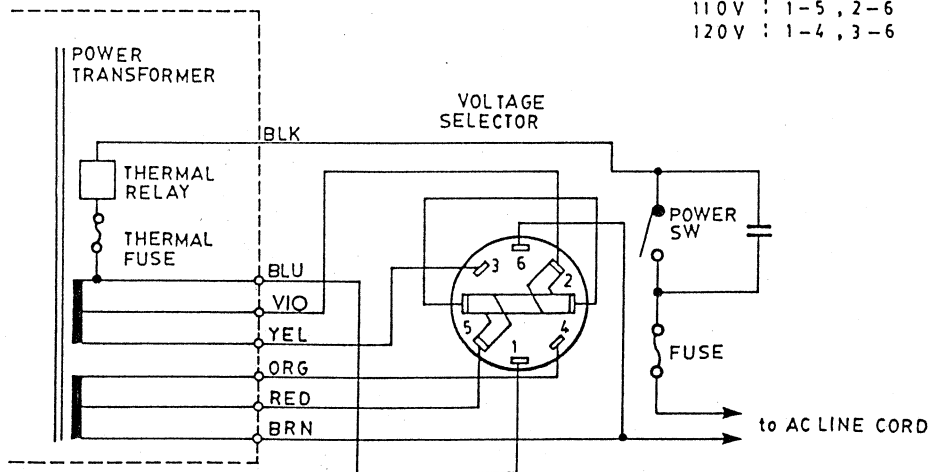
[A, A₁]-Version for U.S.A., Canada



[B, B₁, C]-Version for U.K., Australia / N.Z., Scandinavia, W.Germany

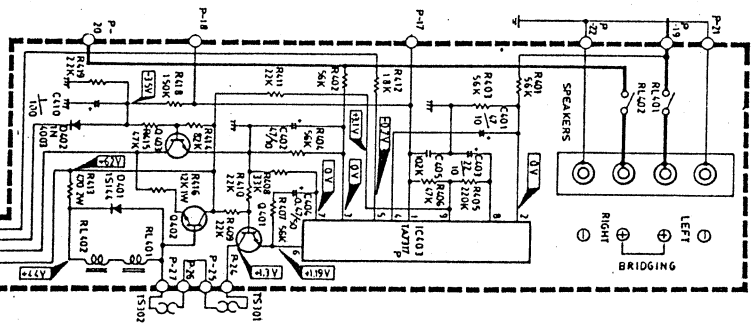
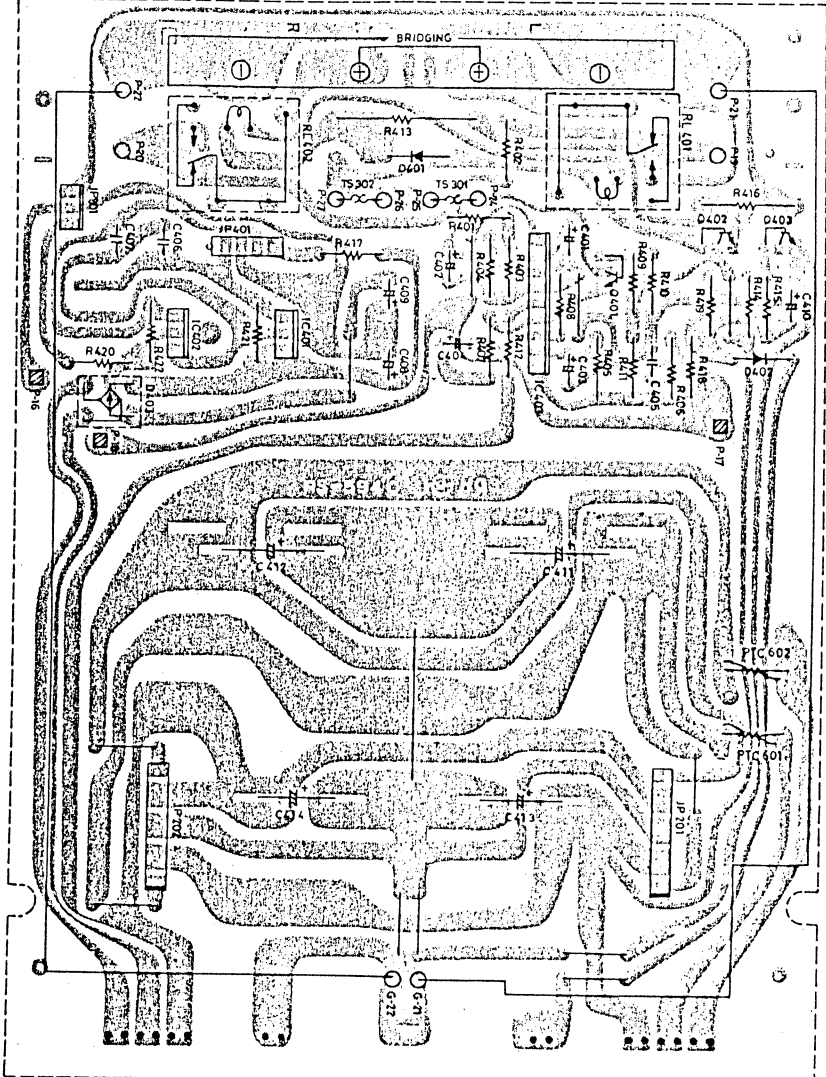
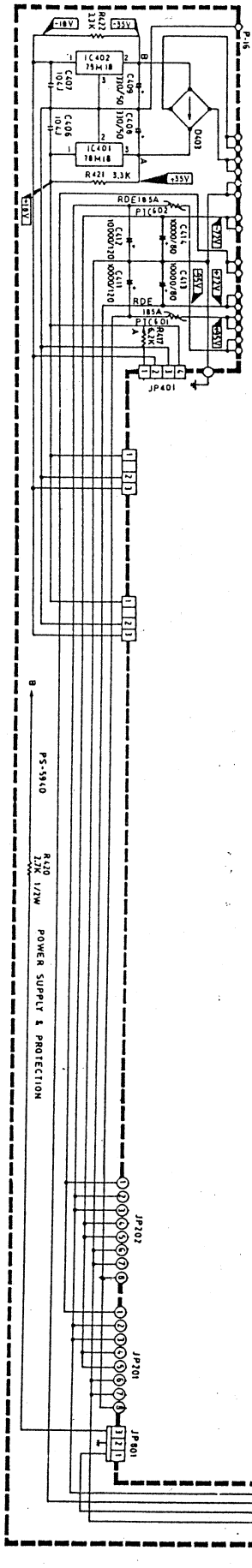
VOLTAGE SELECTOR POSITION

- 220 V : 2-5
- 240 V : 3-4
- 110 V : 1-5, 2-6
- 120 V : 1-4, 3-6



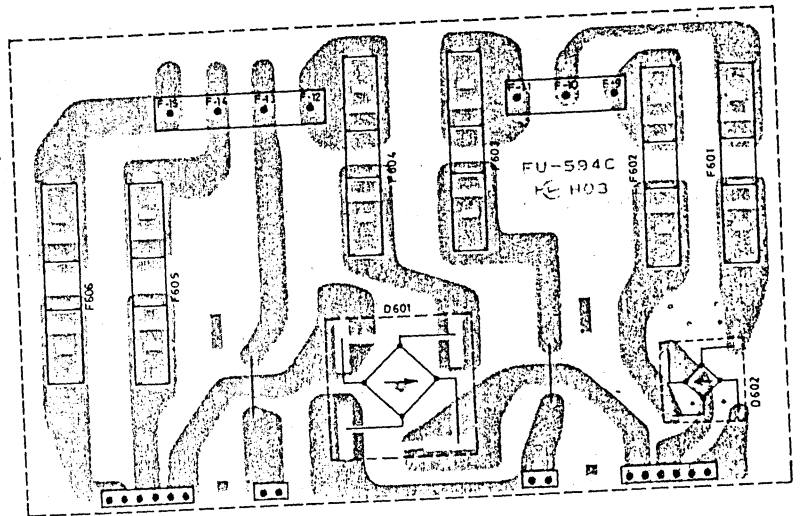
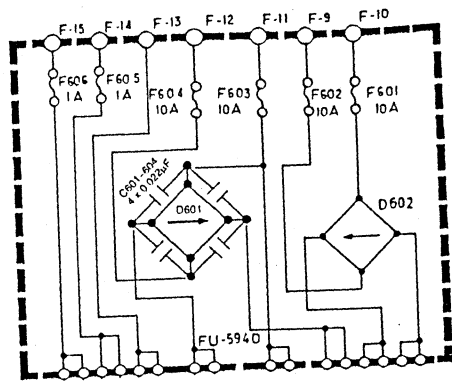
SCHEMATIC AND PCB LAYOUT (Foil side)

Power Supply/Protect P.C.B Ass'y

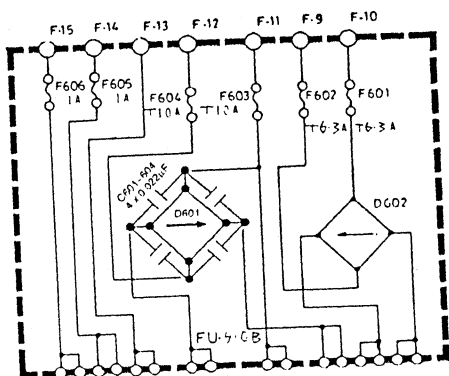


Fuse P.C.B Ass'y

[A, A₁]-Version for U.S.A., Canada

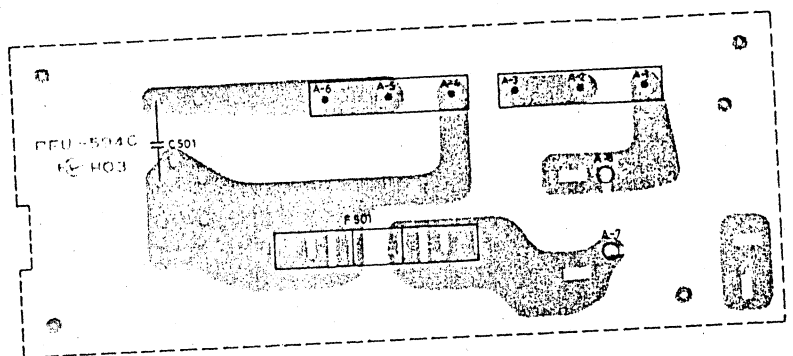
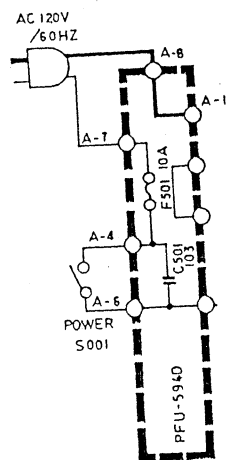


[B, B₁, C]-Version for U.K., Australia / N.Z., Scandinavia, W.Germany

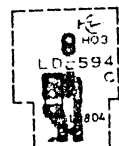
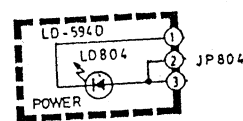
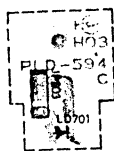


Primary Fuse P.C.B Ass'y

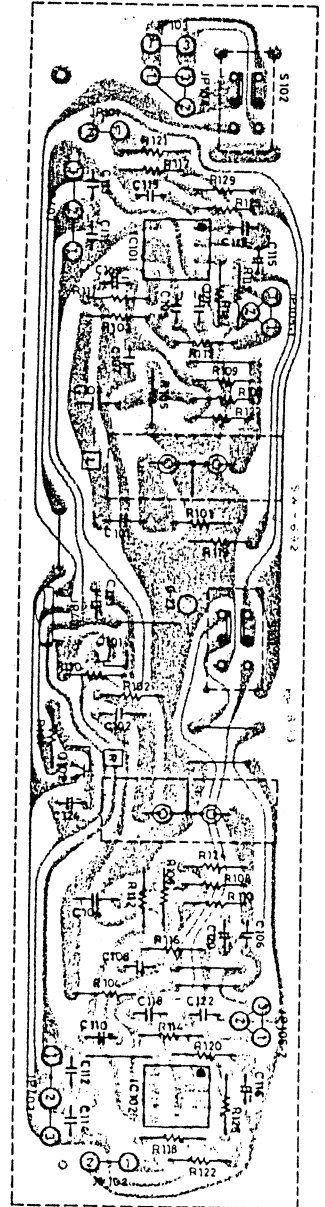
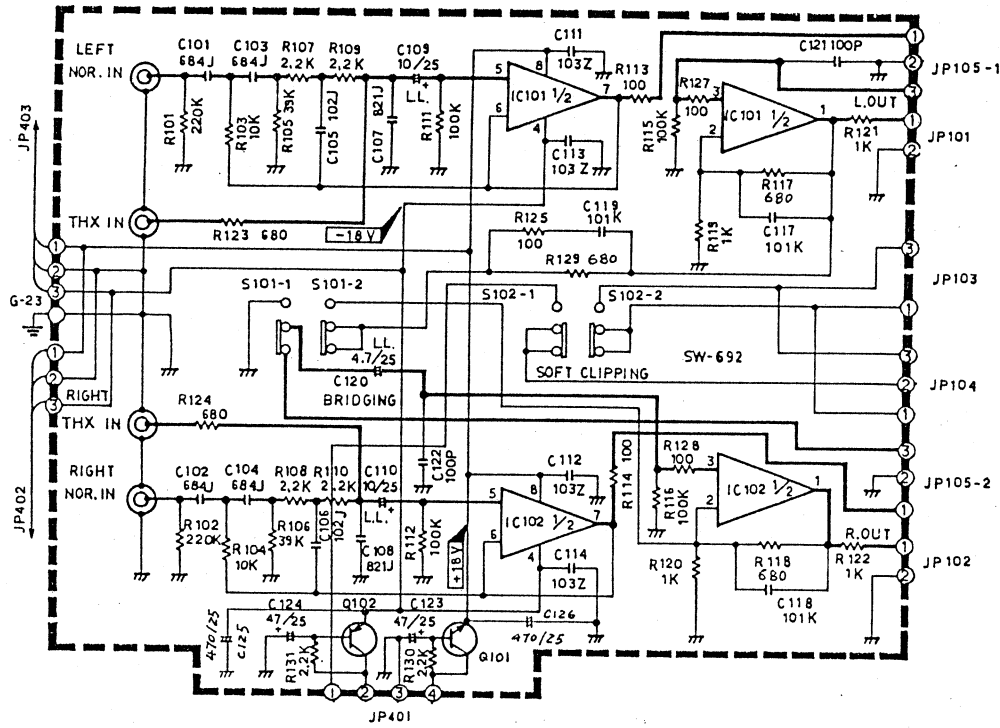
[A, A₁]-Version for U.S.A., Canada only



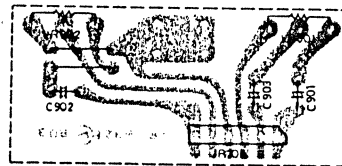
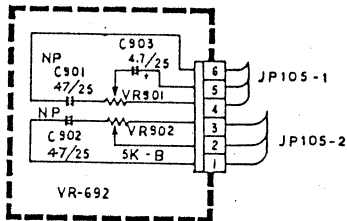
Indicator P.C.B Ass'y



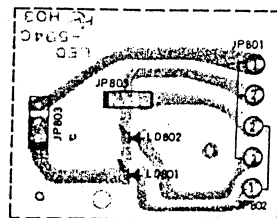
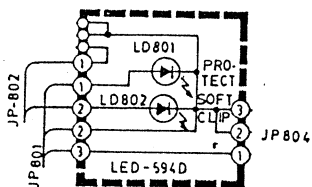
Input P.C.B Ass'y



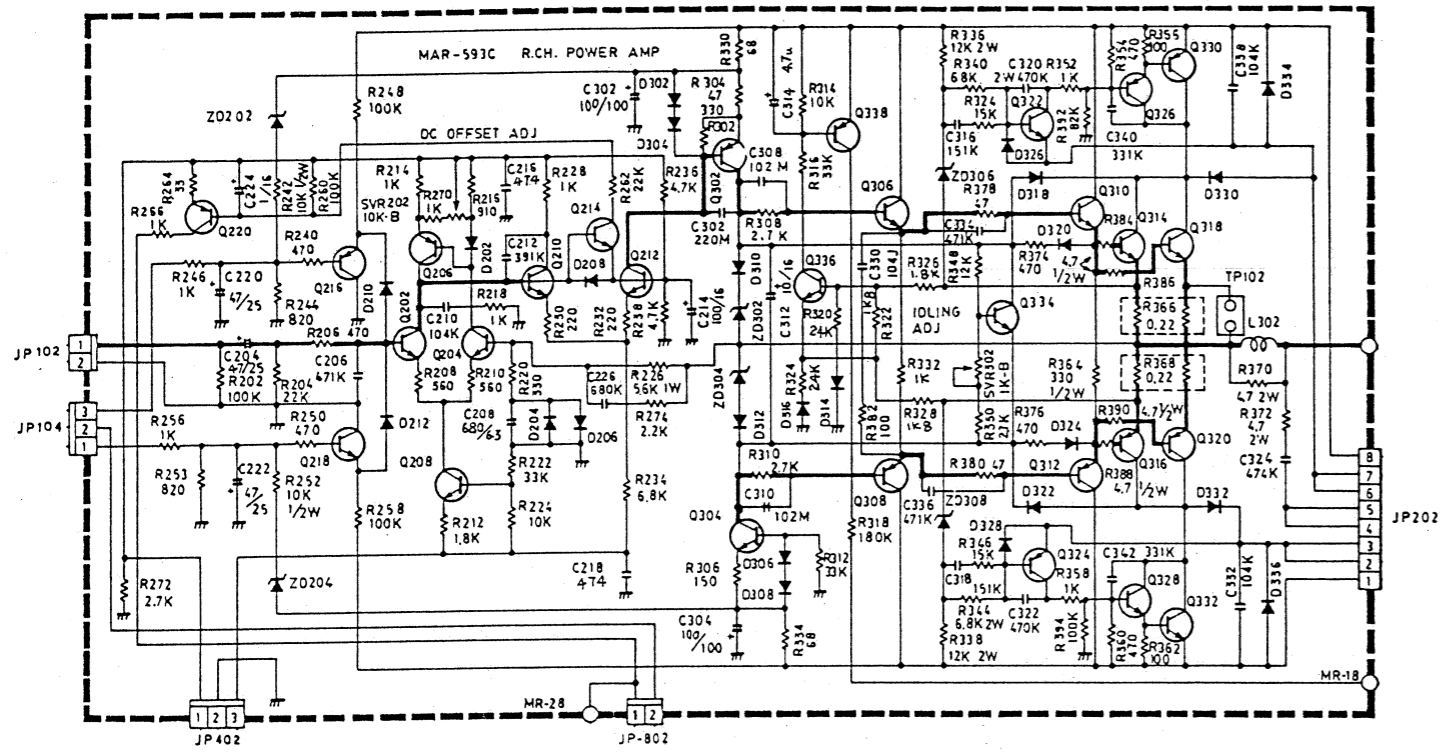
Input Volume P.C.B Ass'y



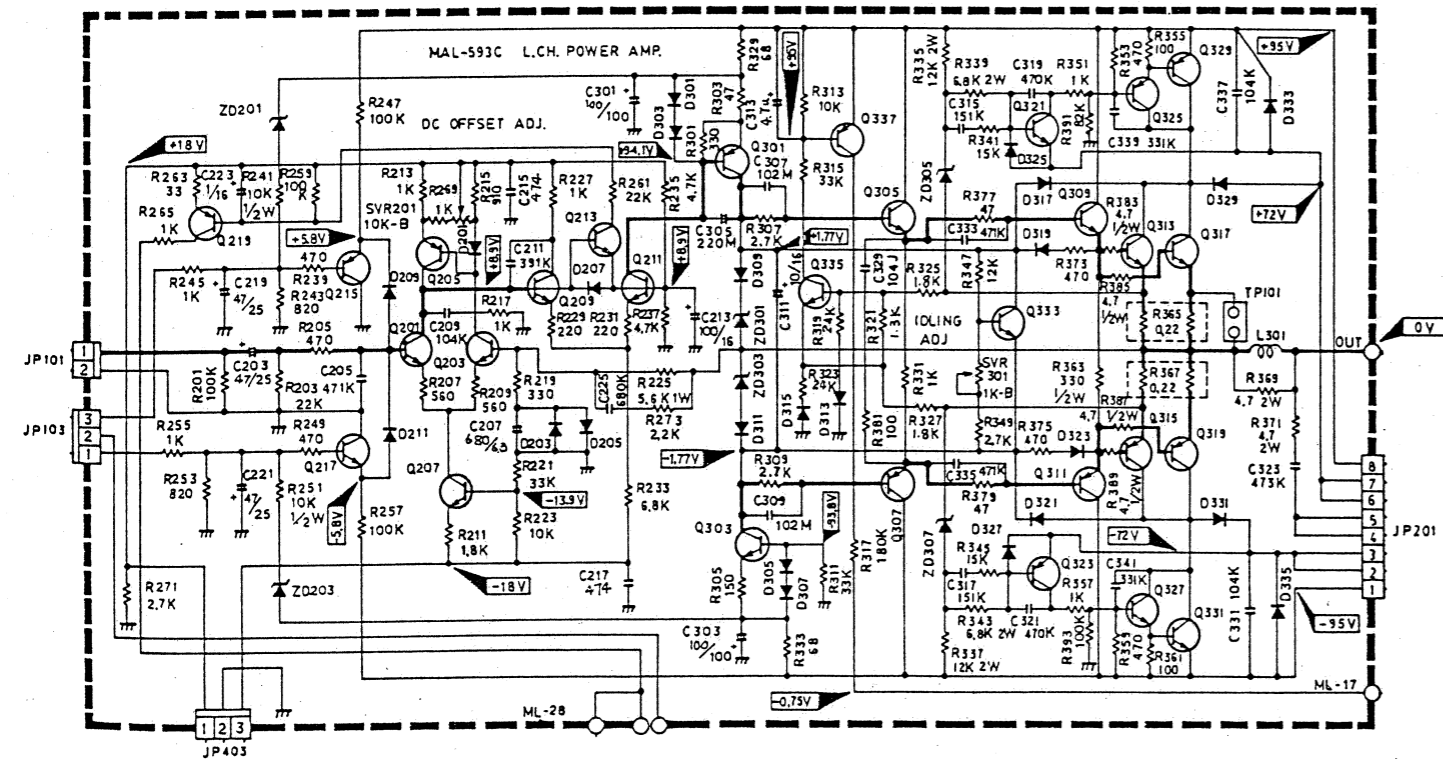
Indicators P.C.B Ass'y



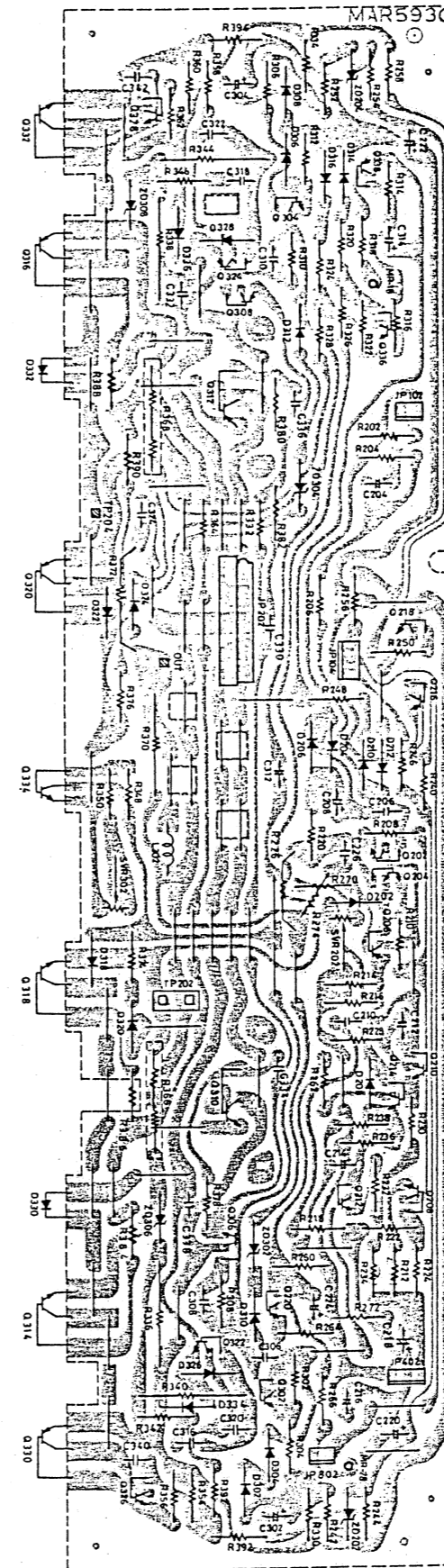
R ch Power Amp Circuit



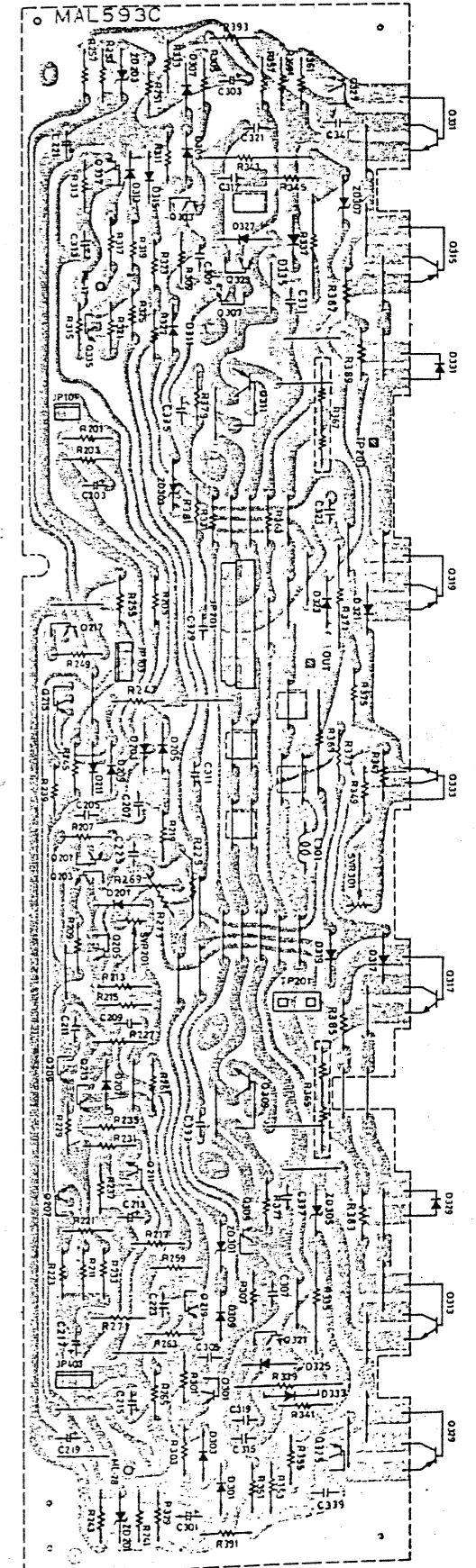
L ch Power Amp Circuit



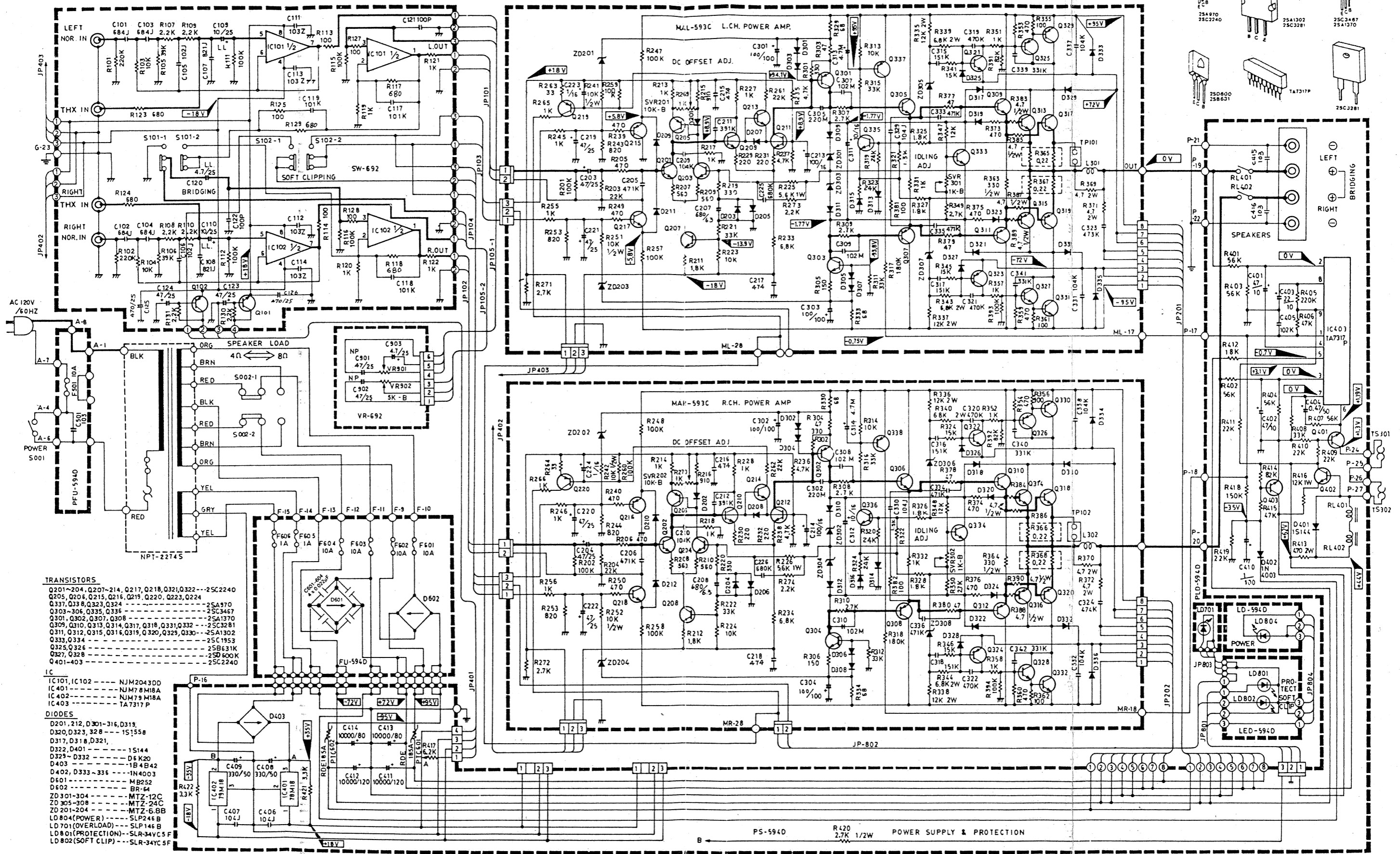
R ch Power Amp P.C.B Ass'y



L ch Power Amp P.C.B Ass'y



SCHEMATIC DIAGRAM



- TRANSISTORS**
 Q201~204, Q207~214, Q217, Q218, Q321, Q322 --- 2SC2240
 Q205, Q206, Q215, Q216, Q219, Q220, Q223, Q224
 Q331, Q338, Q323, Q324 --- 2SA1970
 Q303~306, Q335, Q336 --- 2SC3467
 Q301, Q302, Q307, Q308 --- 2SA1370
 Q309, Q310, Q313, Q314, Q317, Q318, Q331, Q332 --- 2SC3281
 Q311, Q312, Q315, Q316, Q319, Q320, Q325, Q330 --- 2SA1302
 Q333, Q334 --- 2SC1953
 Q325, Q326 --- 2SB631K
 Q327, Q328 --- 2SD600K
 Q401~403 --- 2SC2240
- IC**
 IC101, IC102 --- NJM2043DD
 IC401 --- NJM78M18A
 IC402 --- NJM79M18A
 IC403 --- TA7317P
- DIODES**
 D201, 212, D301~316, D319, D320, D323, 328 --- 1S1558
 D317, D318, D321, D322, D401 --- 1S144
 D329~D332 --- DS K20
 D403 --- 1B4B42
 D402, D333~335 --- 1N4003
 D601 --- MB252
 D602 --- BR-64
 ZD301~304 --- MTZ-12C
 ZD305~308 --- MTZ-24C
 ZD201~204 --- MTZ-6.8B
 LD804 (POWER) --- SLP248 B
 LD701 (OVERLOAD) --- SLP148 B
 LD801 (PROTECTION) --- SLR-34VC 5 F
 LD802 (SOFT CLIP) --- SLR-34VC 5 F

CAUTION: THOSE FUSES WITH SYMBOL/MARKS and ARE FAST-BLOW TYPE. REPLACE WITH SAME TYPE 10A 250V (OR 1A 250V) FUSE.
 ATTENTION: LES FUSIBLES MARQUES ET SONT DE TYPE A FUSION RAPIDE. UTILISER UN FUSIBLE DE REMPLACEMENT DE MEME TYPE DE 10A 250V (OU 1A 250V).

DRAWING NO.	MODEL NO.
CD-T101	2700TH-AH