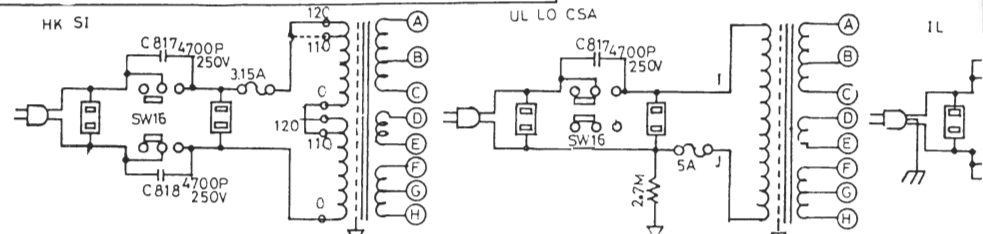
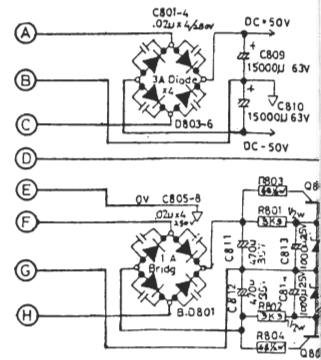
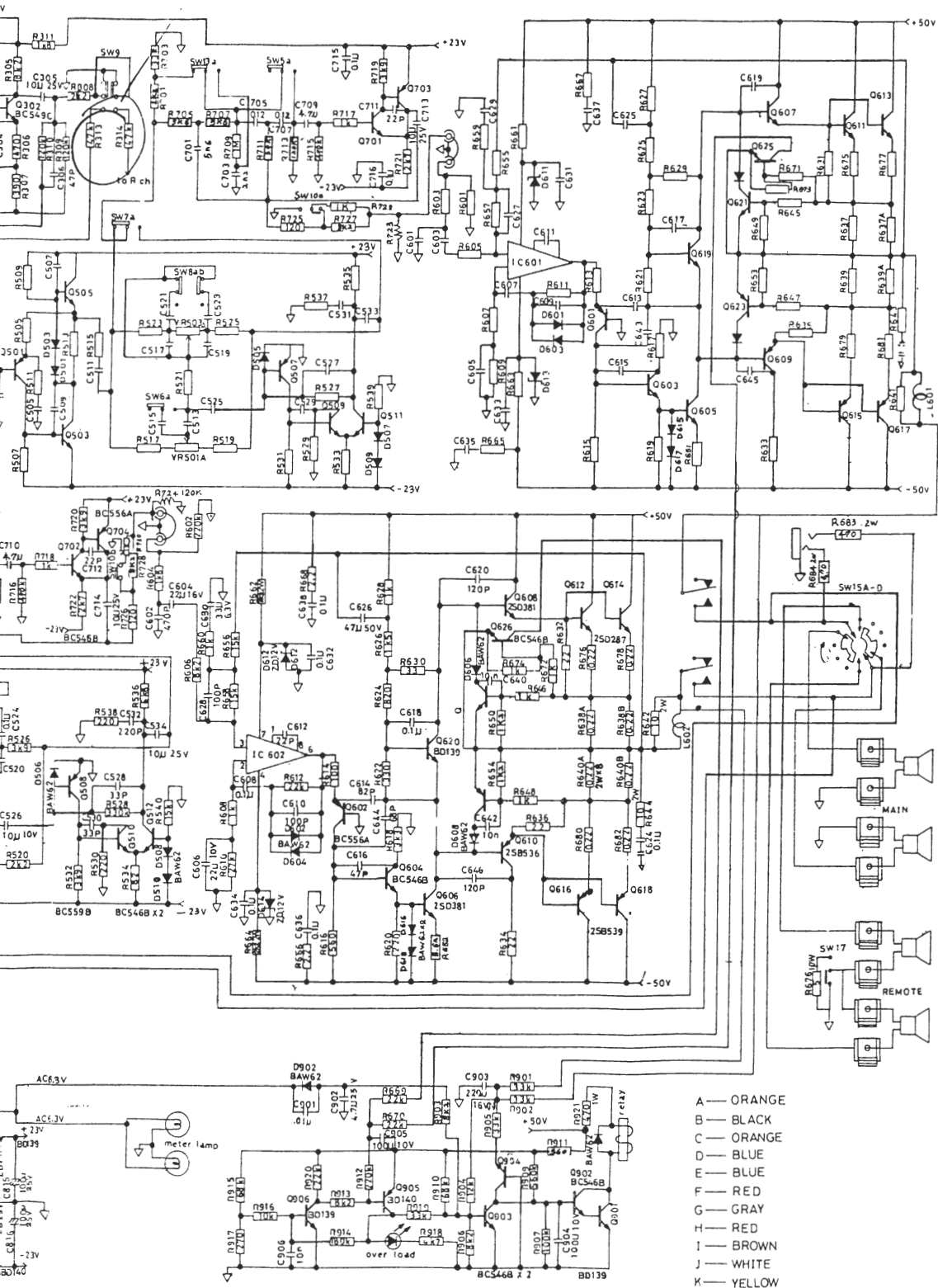


SW1a b c d	Function Sw	SW10a b	Audio Mute Sw
SW2a b	Tape 1 Sw	SW11	Mono/Stereo Sw
SW3a b	Tape 2 Sw	SW12a b	Loudness Sw
SW4a b c d	Tape Copy Sw	SW13a b	Hi-Filter Sw
SW5a b	Infrasonic In/Out Sw	SW14a b	8W/BOW Meter Sw
SW6a b	25/5 Hz Sw	SW15 a - d	Speaker Sw
SW7a b	Tone In/Out Sw	SW16	Power Sw
SW8a b c d	500/250 Hz Sw	SW17	Stereo/Ambient Sw
SW9	Mic In Sw (Pull)		



CIRCUIT DIAGRAM

202



- A — ORANGE
- B — BLACK
- C — ORANGE
- D — BLUE
- E — BLUE
- F — RED
- G — GRAY
- H — RED
- I — BROWN
- J — WHITE
- K — YELLOW

