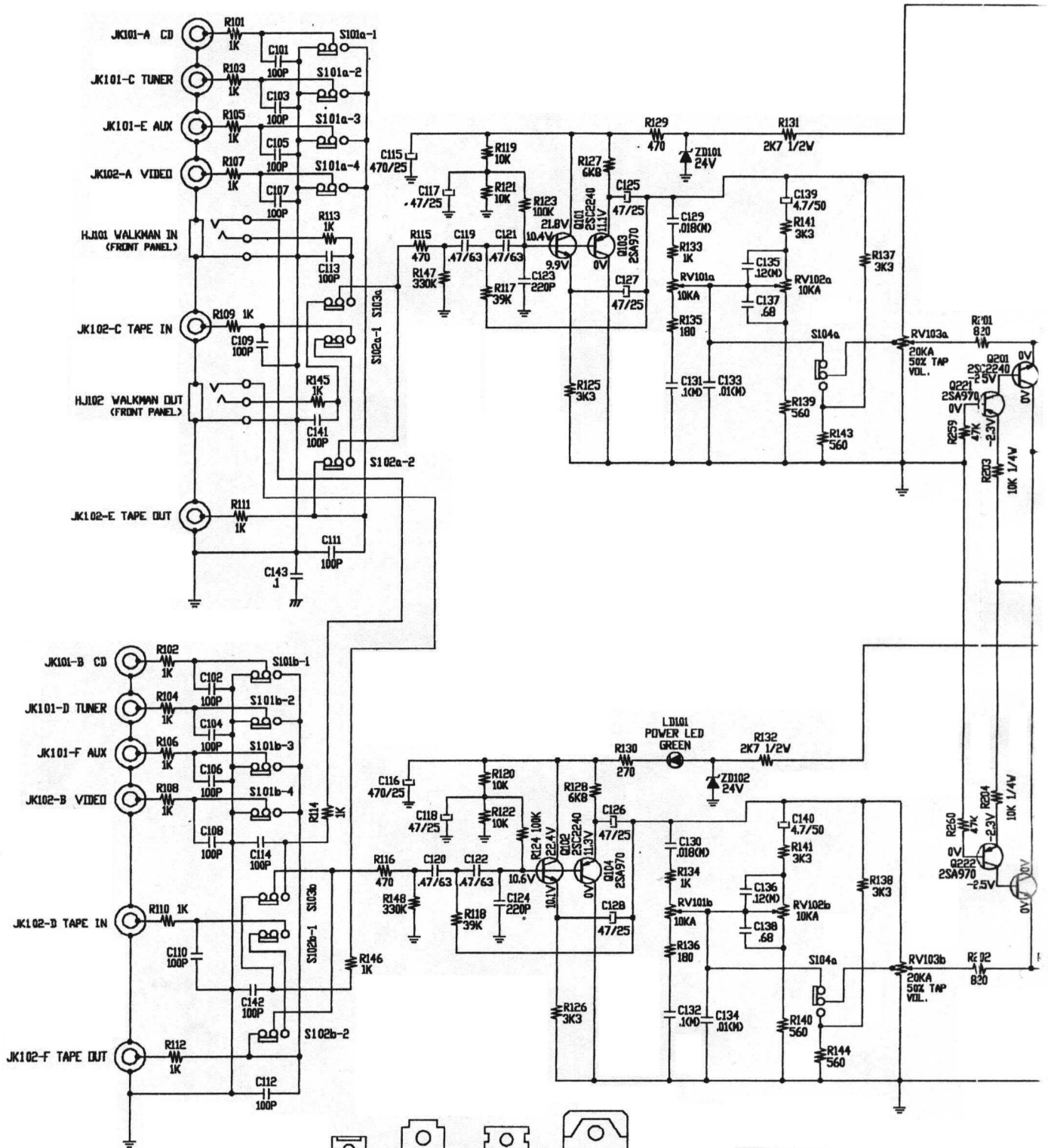
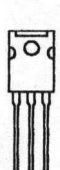


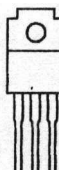
SCHEMATIC DIAGRAM



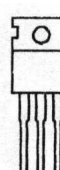
2SC2240
2SA970



2SC3421



2SA1306



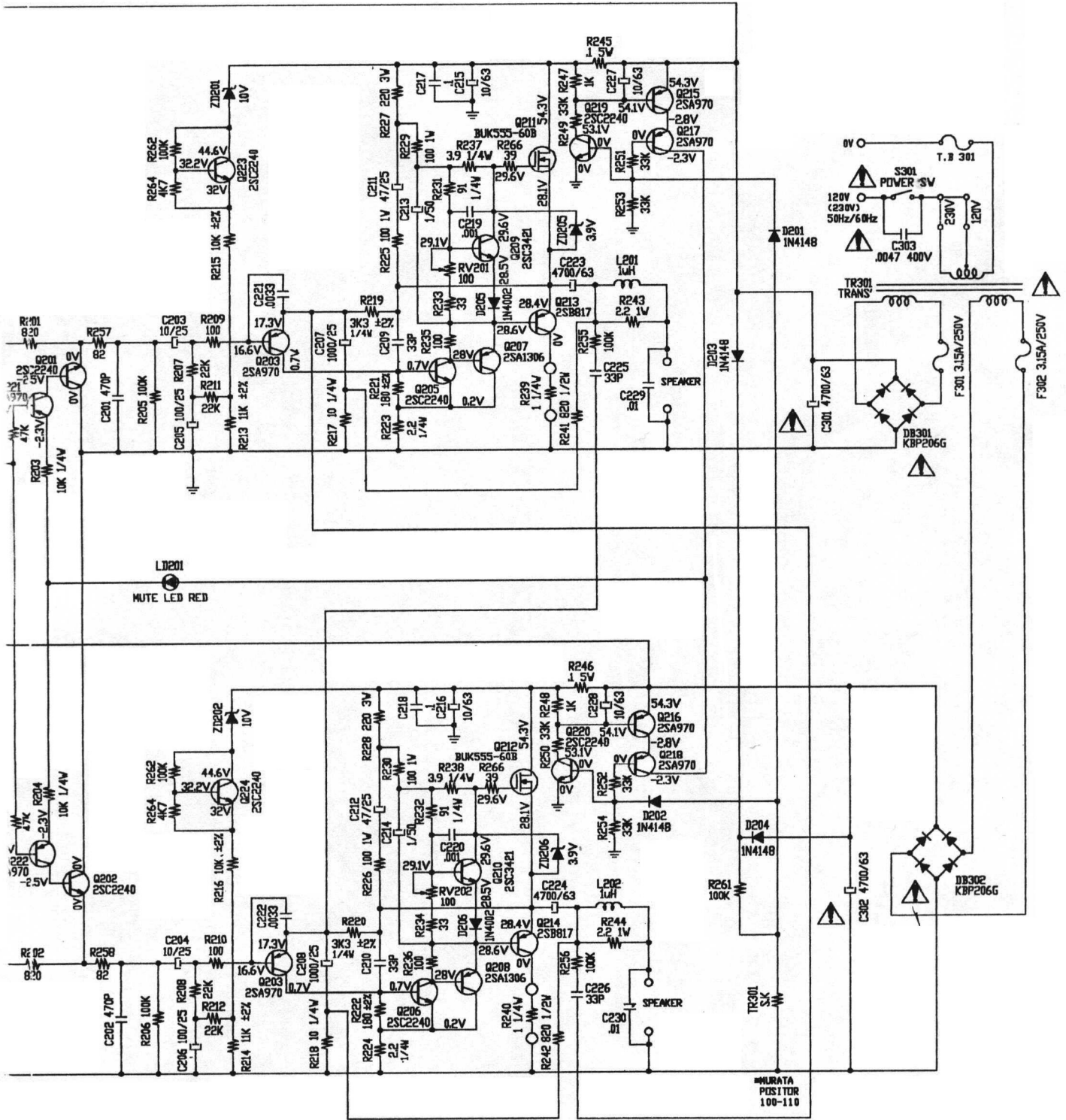
BUK555



2SB817

NOTE:

1. ALL RESISTANCE VALUES ARE IN Ω, K=1000Ω, M=1,000,000Ω.
2. THE WATTAGE OF RESISTORS IS 1/8W UNLESS OTHERWISE SPECIFIED.
3. ALL CAPACITANCE VALUES ARE IN μF UNLESS OTHERWISE SPECIFIED.
4. SAFETY REQUIREMENTS COMPONENTS IN ACCORDANCE WITH IEC SAFETY REGULATIONS THESE COMPONENTS MUST BE ORIGINAL PARTS.
5. R239 AND R240 USED FOR IDLING CURRENT AT SHORTED IN NORMAL OPERATION.
6. VOLTAGE SHOWN ARE MEASURED WITH NO SIGNAL.
7. ALL RESISTORS 1/8W, 5% UNLESS OTHERWISE SPECIFIED.
8. ALL CAPACITORS CERAMIC, 50V, 5% UNLESS OTHERWISE SPECIFIED.



Ω = 1000Ω, K = 1000KΩ,
 /W UNLESS OTHERWISE NOTED.
 N Ω UNLESS OTHERWISE NOTED, P = μF.
 VALUES IN ACCORDANCE WITH PRESENT
 COMPONENTS MUST ONLY BE REPLACED

ING CURRENT ADJUST ONLY MUST BE
 WITH NO SIGNAL APPLIED.
 : OTHER SPECIFIED.
 X UNLESS OTHER SPECIFIED.