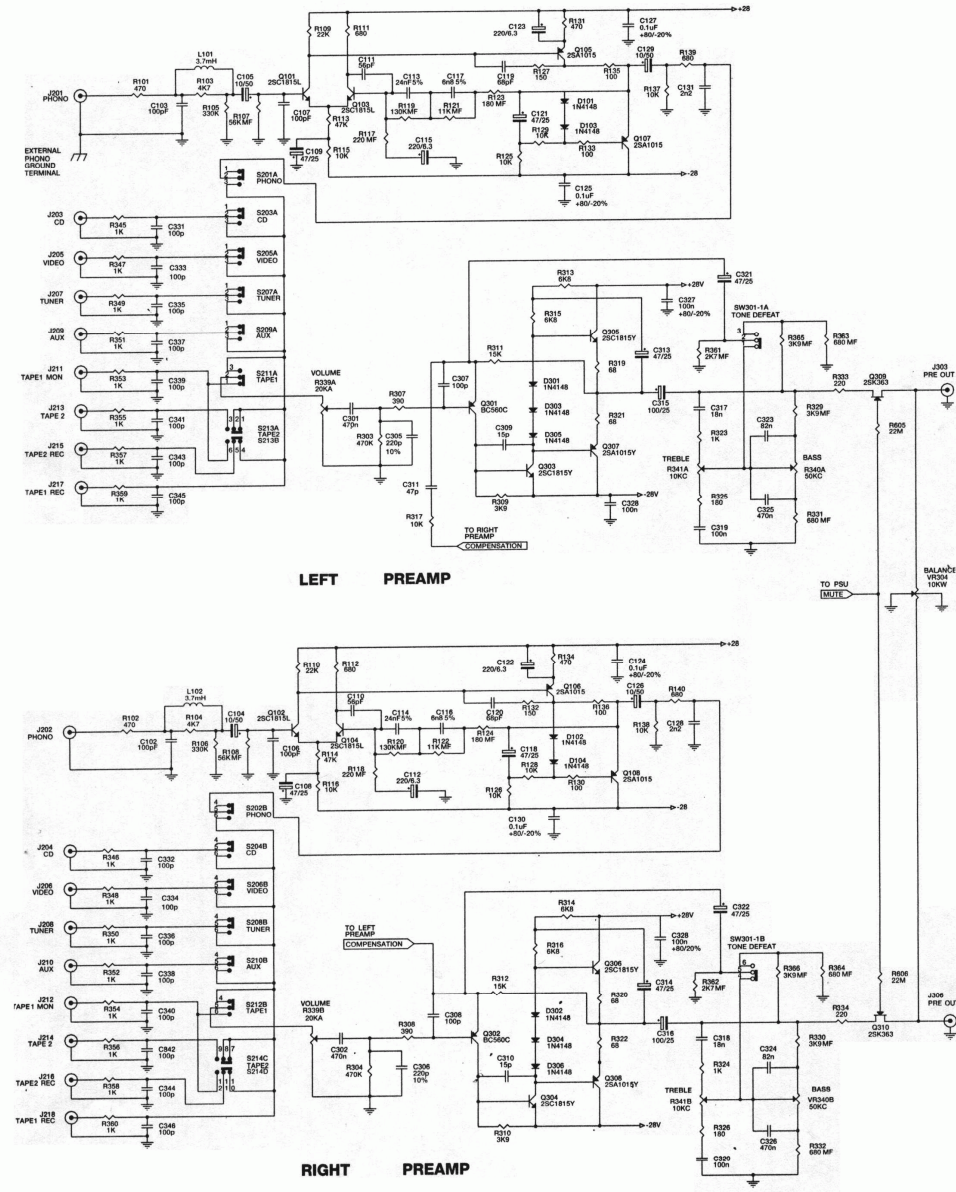


# SCHEMATIC DIAGRAM

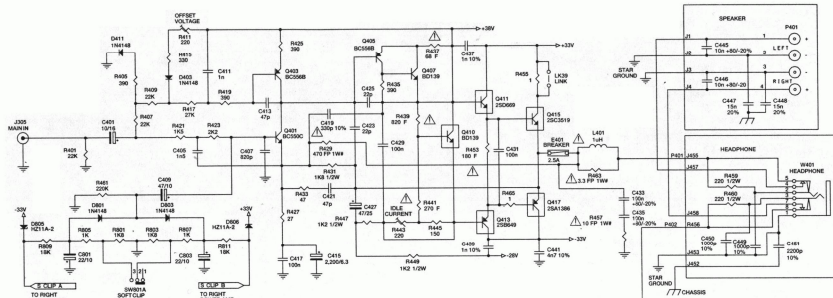
## PREAMP



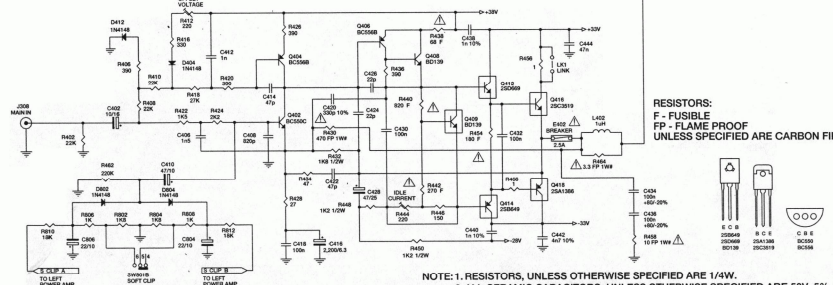
NOTE: 1. RESISTORS, UNLESS OTHERWISE SPECIFIED ARE 1/4W.  
 2. ALL CERAMIC CAPACITORS, UNLESS OTHERWISE SPECIFIED ARE 50V, 5%.

RESISTORS:  
 MF - METAL FILM  
 UNLESS SPECIFIED  
 ARE CARBON FILM.

		
E C B 28A1015 25C1815	D G S 29K363	C B E BC590

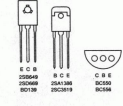


LEFT POWER AMP



RIGHT POWER AMP

RESISTORS:  
F - FUSIBLE  
FP - FLAME PROOF  
UNLESS SPECIFIED ARE CARBON FILM.



- NOTE: 1. RESISTORS, UNLESS OTHERWISE SPECIFIED ARE 1/4W.
- 2. ALL CERAMIC CAPACITORS, UNLESS OTHERWISE SPECIFIED ARE 50V, 5%.
- 3. BLOCKED TRANSISTORS ARE MOUNTED ON MAIN HEATSINK.
- 4. COMPONENTS MARKED WITH "△" ARE SAFETY CRITICAL PART.
- 5. COMPONENTS MARKED WITH " # " ARE ELEVATED FROM PCB.