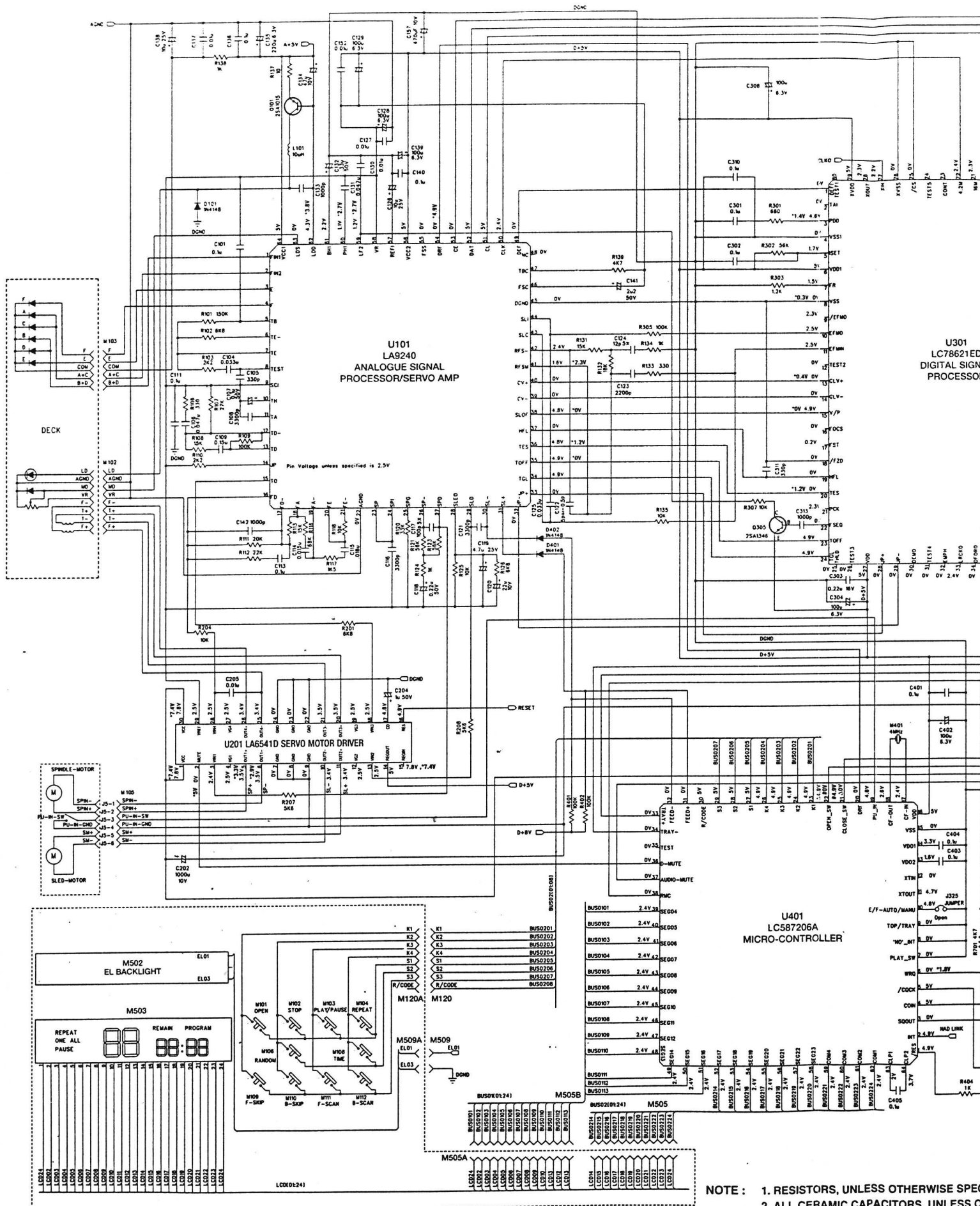
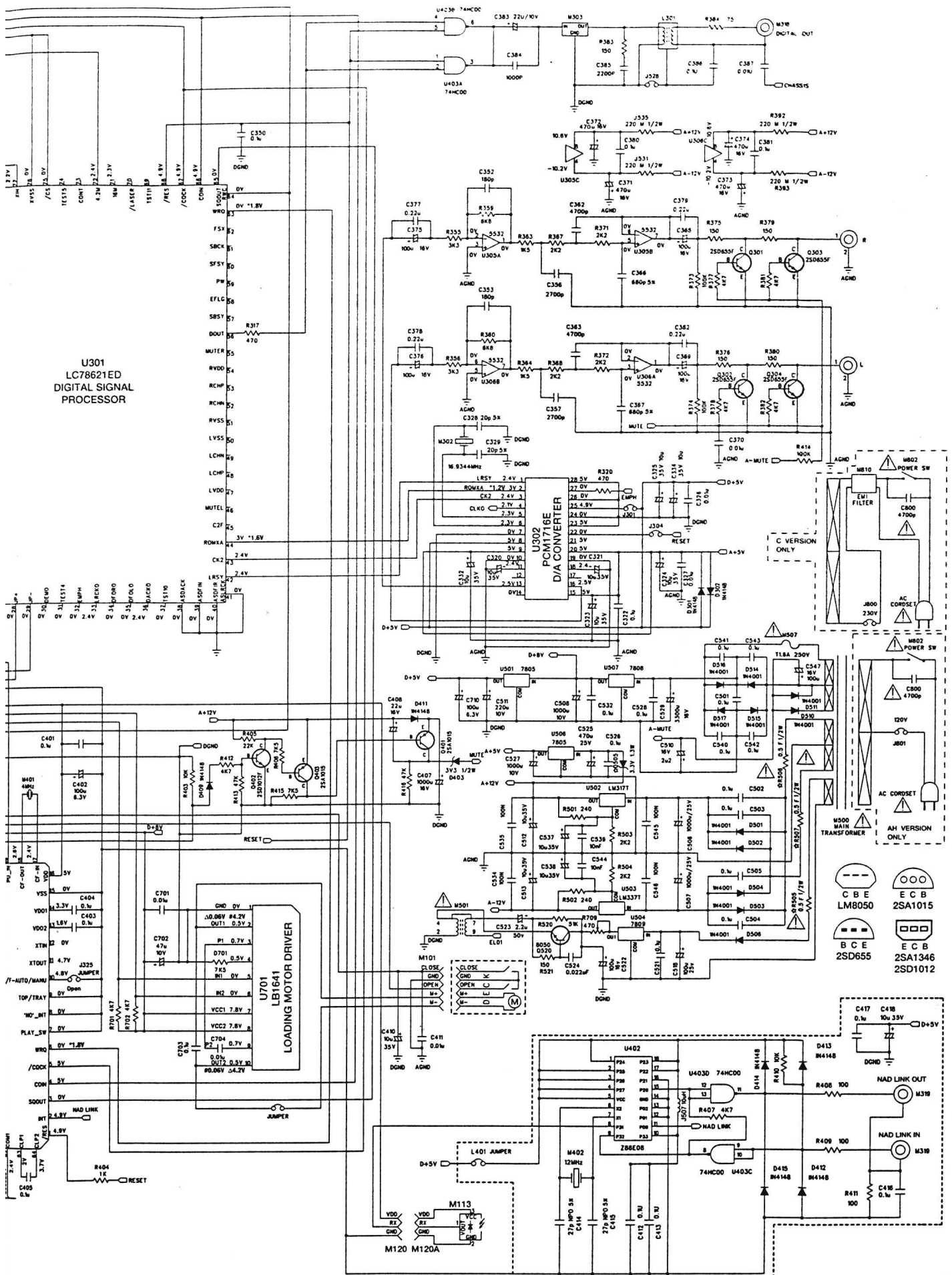


# SCHEMATIC DIAGRAM



NOTE : 1. RESISTORS, UNLESS OTHERWISE SPECIFIED  
 2. ALL CERAMIC CAPACITORS, UNLESS OTHERWISE SPECIFIED  
 3. COMPONENTS MARKED \* △ ▲ ARE SA...  
 4. COMPONENTS MARKED \*\* ARE RAISE...



RESISTORS, UNLESS OTHERWISE SPECIFIED, ARE 1/4 WATT.  
 CAPACITORS, UNLESS OTHERWISE SPECIFIED, ARE 50V, 10%.  
 MARKED "▲" ARE SAFETY CRITICAL PARTS.  
 MARKED "☆" ARE RAISED 10MM FROM PCB.  
 ON THE IC'S PIN WHICH DOES NOT HAS MARKING IS IN STOP  
 "1" IS PLAY MODE, "\*" IS TRAY OPEN MODE AND "Δ" IS

RESISTORS : M - METAL FILM  
 F - FUSIBLE  
 CARBON FILM UNLESS OTHERWISE SPECIFIED.