

NAD **SERVICE**
MANUAL

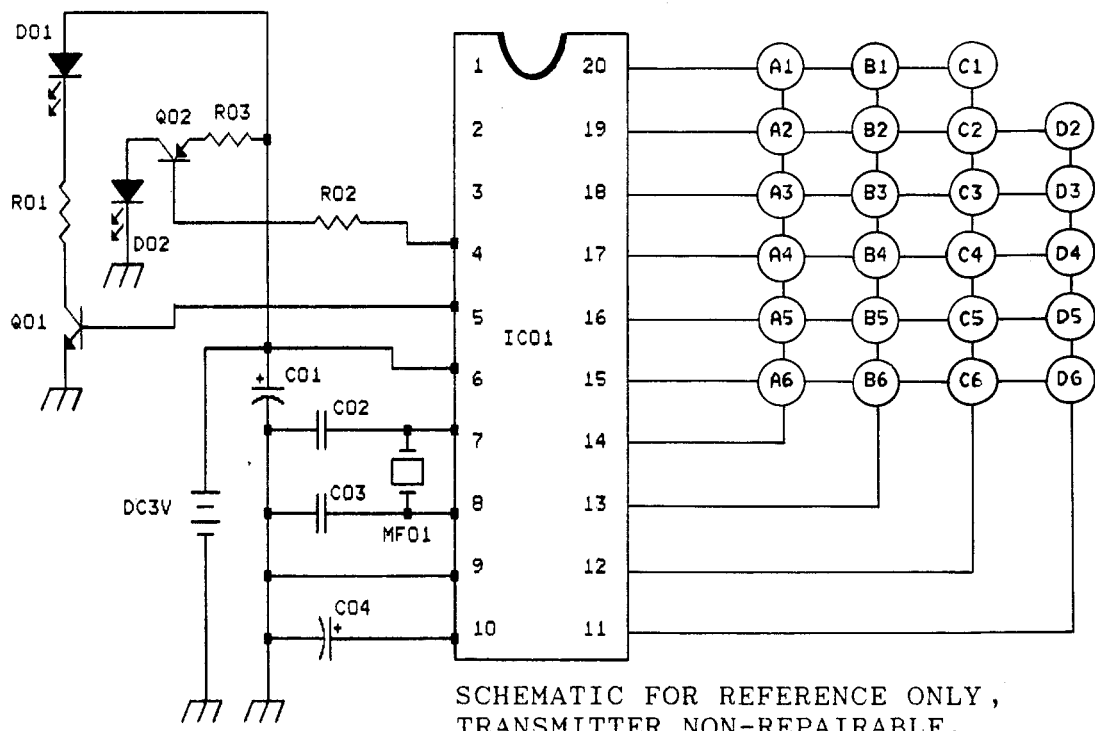
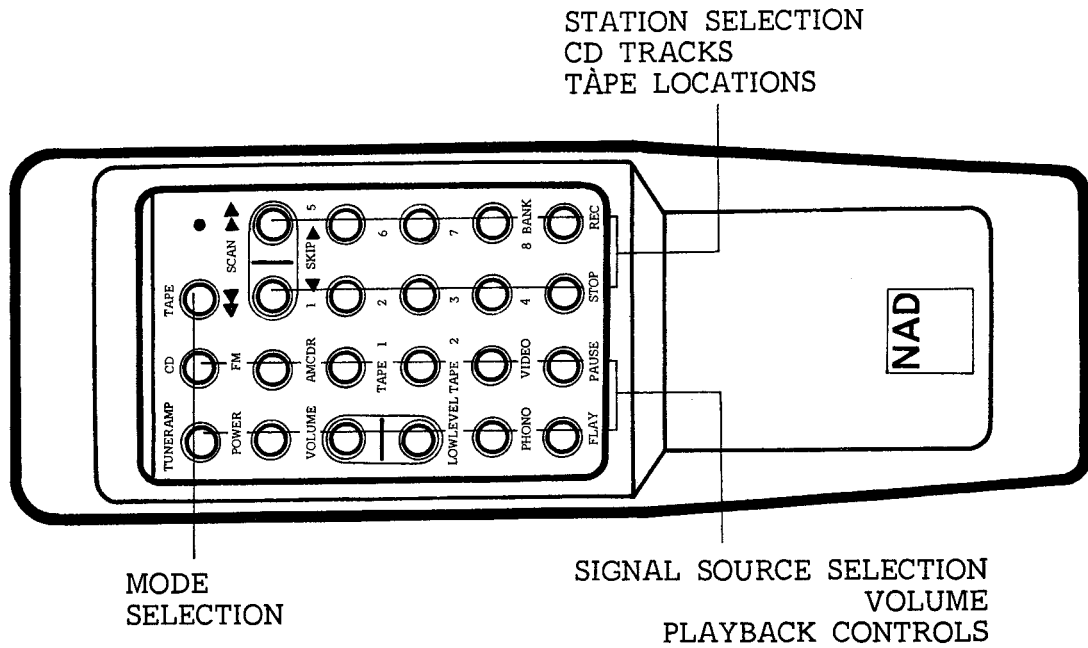
MONITOR SERIES

7000

RECEIVER

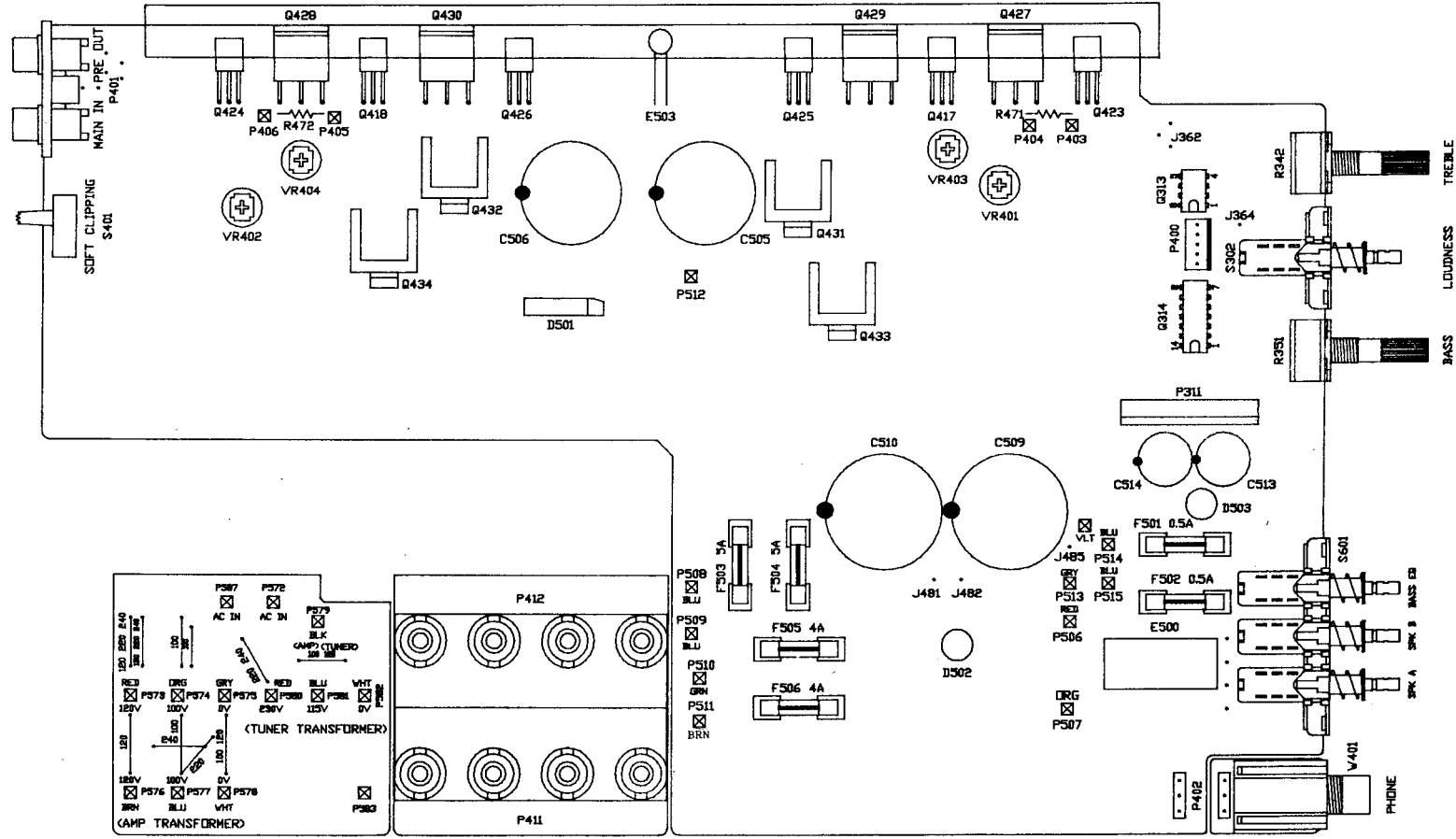
PAGE	NAD-7000 CONTENTS
3	REAR / FRONT VIEW
4	SPECIFICATIONS
5	REMOTE CONTROL TRANSMITTER
6	MAIN AMPLIFIER ADJUSTMENT POINTS
7	MAIN AMPLIFIER ADJUSTMENT METHOD
7	PREAMPLIFIER ADJUSTMENT METHOD
8	SUGGESTED HOOKUP FOR FM ALIGNMENT
9-11	FM ALIGNMENT METHOD
11	AM ALIGNMENT METHOD
12	TUNER ADJUSTMENT POINTS
13-14	MAIN AMPLIFIER PCB LAYOUT
15-16	MAIN AMPLIFIER SCHEMATIC
17-18	PREAMPLIFIER PCB LAYOUT
19-20	PREAMPLIFIER SCHEMATIC
21-22	TUNER PCB LAYOUT
23-24	TUNER SCHEMATIC
25-26	REMOTE/DISPLAY PCB LAYOUT
27-28	REMOTE/DISPLAY SCHEMATIC
29	MAIN AMPLIFIER WIRING
30	PREAMPLIFIER WIRING
31	TUNER AND REMOTE/DISPLAY WIRING
32	DIFFERENT PARTS LIST
33-35	ELECTRICAL PARTS LIST
36	EXPLODED VIEW
37	EXPLODED PARTS LIST
38	PACKING DIAGRAM
39	NOTES

REMOTE CONTROL TRANSMITTER



SCHEMATIC FOR REFERENCE ONLY,
TRANSMITTER NON-REPAIRABLE.

MAIN AMPLIFIER ADJUSTMENT POINTS



MAIN AMPLIFIER ADJUSTMENT

IMPORTANT NOTES:

- 1) Before adjusting, remove input signal and load, and set Speaker impedance switch to 8 ohms (reset to 4 ohms when finished).
- 2) These adjustments are always necessary after repair to main amplifier.
- 3) After repair, it is recommended to use current limiter (70-100W lightbulb) in mains line, for initial turn-on.

INITIAL ADJUSTMENT (NO LOAD CONNECTED)

A. CENTER VOLTAGE

1. Connect DC millivoltmeter to L channel output terminals.
2. Turn on and adjust to 0 v \pm 30mV with VR401 (10KB). connect DC millivoltmeter to R channel output terminals and adjust VR402 to 0 v \pm 30mV.

B. IDLE CURRENT

1. Remove solder short across R471 ad R472.
2. Connect DC millivoltmeter across R471 (1 ohm) (output transistor's collector resistor) and adjust VR403 (470 ohm) for 26-30mV reading on meter.
Repeat adjust with VR404 (470 ohm) connecting meter across R472(1 ohm).
3. Leave power on for minimum 5 minutes.

FINAL ADJUSTMENT

C. CENTER VOLTAGE

Repeat step A above.

D. IDLING CURRENT

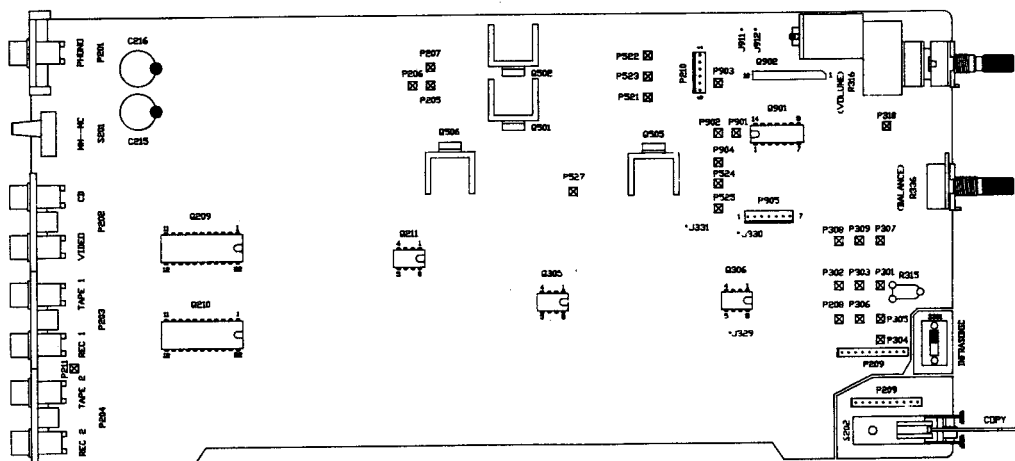
1. Repeat step B and adjust with VR403,VR404 for 30mV reading on meter.
2. After the alignment is finished, 1 ohm resistor R471,R472 is shorted by solder short.

PREAMPLIFIER ADJUSTMENT

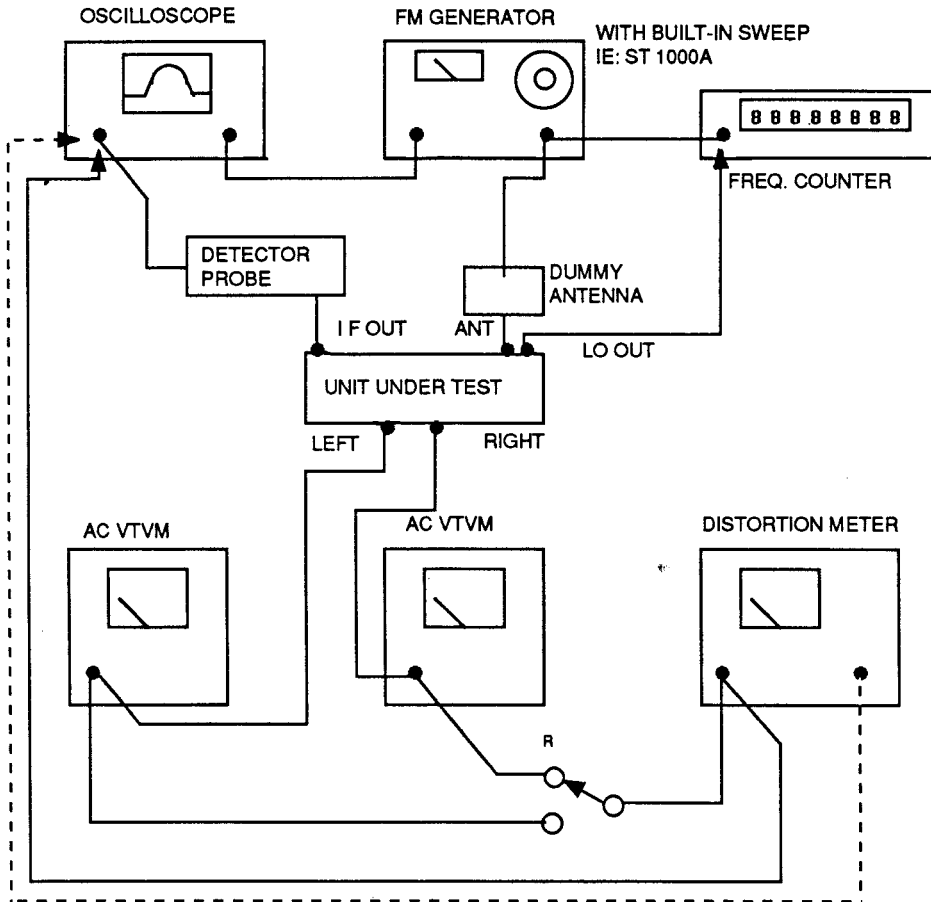
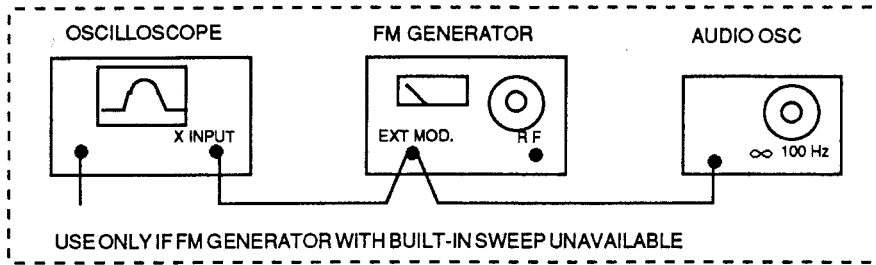
A. CHANNEL BALANCE

1. Feed 1kHz, 100mV to CD input; connect AC VTVM's to preamp output.
2. Set volume to maximum, balance to center, low level off.
3. Adjust R-315 so that both channels have same output level \pm 0.25dB.

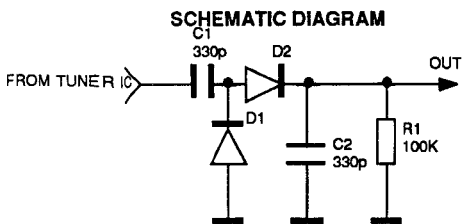
PREAMPLIFIER ADJUSTMENT POINTS



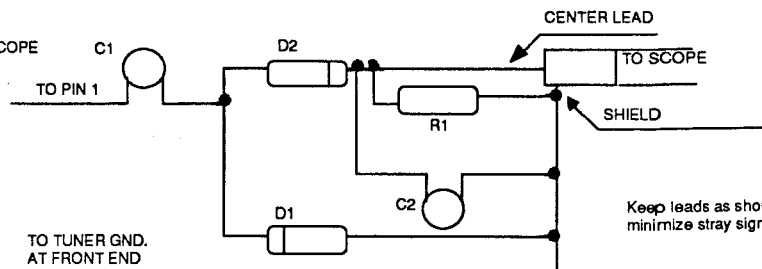
SUGGESTED INSTRUMENTATION HOOKUP- FM ALIGNMENT



DETECTOR PROBE



PICTORIAL DIAGRAM



Keep leads as short as possible, to minimize stray signal pickup.

Diodes should be point contact germanium; some types commonly available are:

- 080
- 081
- Al1 9
- 1150
- 1134
- 1122

INDUCTOR TEST PROBE

THIN BRASS,
2x10 mm approx



FM ALIGNMENT

NECESSARY INSTRUMENTATION:

- * Stereo Modulator (less than 0.05% THD, more than 50dB Sep.)
- * FM Generator (less than 0.05% THD)
- * 75 ohm Dummy Antenna (if needed by generator)
- * Audio Oscillator (not necessary if FM generator has built-in sweep, e.g., SOUND TECHNOLOGY ST 1000A or ST 1020A)
- * 2 AC VTVM's (or one with a Left/Right switch)
- * THD Analyzer (resolution less than 0.1%)
- * Oscilloscope (5mV or better sensitivity, X-Y capability)
- * Frequency Counter
- * Diode Detector Probe
- * Ferrite/Brass inductor test probe

IMPORTANT NOTES

- 1) RF levels are at antenna input.
- 2) Before aligning, select FM, switch off MONO.
- 3) If FM Generator is not synthesizer-type, be sure to check its frequency with Frequency Counter When adjusting detector and stereo decoder circuits.
- 4) Hum in measurements may be caused by ground loop via antenna cable; if so, use isolation balun, or isolate cable shield and hot with small capacitors (470 ~ 1000pf).
- 5) To adjust front-end coils, bend gently with wooden or plastic tool (non-interactive).
- 6) ENTER the following frequencies: 90.00, 105.00, 87.50, 108.00, 98.00

A. LOCAL OSCILLATOR FREQUENCY

1. Connect Frequency Counter between front-end pin 8 (front-most) and Ground.
2. Tune to 90 MHz (No RF input needed).
3. Adjust C-934 so that reading is $100.700\text{MHz} \pm 2\text{KHz}$.
4. Remove counter.

B. TUNING VOLTAGE

1. Connect DMM between P-936 and Ground.
2. Tune to 108.00MHz, and adjust L-7 if reading is not $20.0\text{V} \pm 0.5\text{V}$
3. Tune to 88.00MHz, and check that reading is $3.0\text{V} \pm 0.5\text{V}$
4. Repeat until within tolerance.

C. TRACKING

1. Connect FM Generator to 75 ohm antenna input (modulate $\pm 150\text{kHz}$ sweep) and Detector Probe to Pin 1 of Q106 (ground to tuners shield).
2. Adjust vertical sensitivity of Oscilloscope to maximum, and set to X-Y mode. (X input is sweep signal, Y is detector probe).
3. Tune to 105MHz and adjust generator so that curve appears on Oscilloscope, and covers approximately 1/2 of display.
4. Check L2, L3, L4 with ferrite/brass probe, adjust only if probe causes curve height to increase more than 10%. If necessary, reduce generator output to keep entire curve on display.

5. Tune to 90MHz and adjust Generator so that curve appears on Oscilloscope.
6. Check L2, L3, L4 again; if necessary, distribute any error between both frequencies.

Note: 105MHz curve is typically slightly higher than 90MHz.

D. IF ADJUSTMENTS

1. Tune to approximately 98MHz (must be an unoccupied frequency), and adjust FM Generator to display curve on the oscilloscope.
2. Adjust I-1 and I-101 for maximum and symmetrical curve using as little RF input signal as possible.
3. Remove detector probe.

E. DETECTOR ADJUSTMENT

1. Remove Detector Probe, and connect Tape Output to Distortion Analyzer and Oscilloscope.
2. Connect DMM between P-703 (-) and P-704 (+).
3. Tune to 98MHz and feed 1000uV from FM Generator (Modulate 1kHz 100%, Mono).
4. Adjust I-102 Secondary (front) for lowest THD. Specification: less than 0.1%
5. Adjust L-102 Primary (rear) for $0V \pm 50mV$ reading on DMM.
6. Repeat until no further improvement.

F. STEREO DISTORTION & SEPARATION

1. Tune to 98MHz and feed 1000uV from FM Generator. Modulate 1kHz, 100% left (or right) only.
2. Adjust I-1 just slightly so that distortion on left (or right) channel becomes minimum.
3. Check stereo distortion, wide IF; Specification: less than 0.1% , L + R, L only, R only, L - R.
4. Set IF to wide and modulate L only. Adjust R-176 for minimum output on right channel.
Next, modulate R only and adjust R-176 for minimum output on left channel.
If necessary, readjust R-176 so that readings become same on both channels. Specification: less than -45dB.

G. AUTO SEARCH LEVEL

1. Set IF to wide. Connect DMM between P-935 and Ground.
2. Set FM Generator output to 10uV and adjust R-144 so that reading just goes from 0 V to 4.4V. Tolerance: $\pm 2uV$.

H. STEREO SWITCHING LEVEL

1. Set FM Generator output to 5uV, 1kHz 100% L + R.
2. Adjust R-148 so that the stereo light just turns on. Tolerance: $\pm 1 \mu\text{V}$.

NOTE: The tuner will switch into mono at a lower level, typically 4uV.

I. SIGNAL METER LEVEL

1. Set FM Generator output to 500 uV
2. Adjust R-141 so that fifth LED just lights.

J. MULTIPLEX FILTERS

1. Set FM Generator output to 1000uV, 1kHz 100% L + R, and set reference for S/N measurement. Cancel the stereo modulation and leave pilot tone.
2. Adjust Z-111 (Z-112)(rear slug) for minimum subcarrier output on left (right) channel; Specification: less than -60dB.
3. Reduce FM Generator output so that S/N ratio reads 50dB.(Approx 18uV)

AM ALIGNMENTS

A. TUNING VOLTAGE

1. Connect DMM between P-936 and Ground.
2. Tune to 1600(1602)KHz. Enter into Preset 2. Adjust C-137 for reading of $8.1\text{V} \pm 0.5\text{V}$.
3. Tune to 520(522)kHz. Enter into Preset 1. Adjust L-102 for reading of $1.0\text{V} \pm 0.1\text{V}$.
4. Repeat until within tolerance.

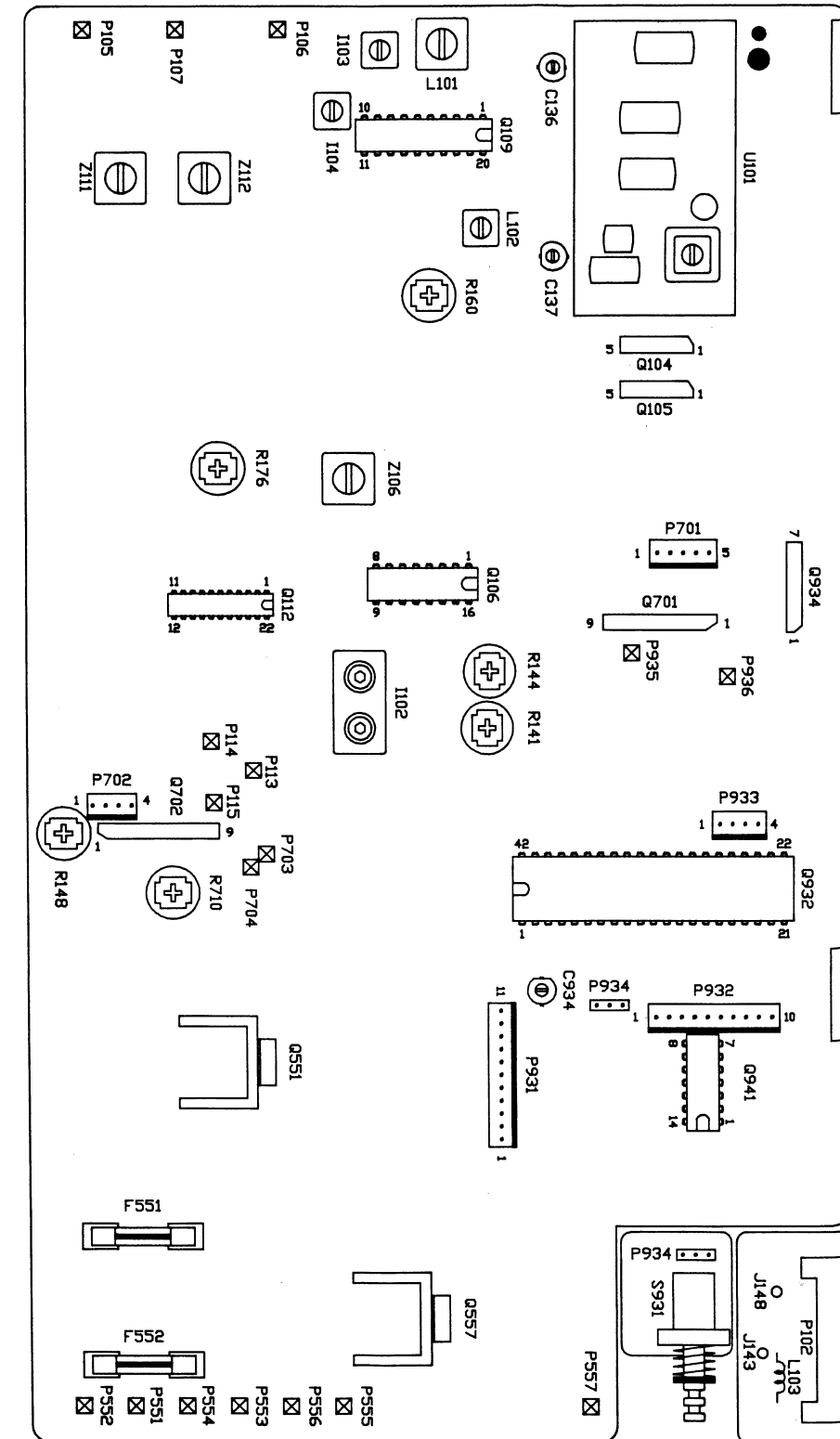
B. ANTENNA, IF

1. Swing antenna away from chassis.
2. Connect DC voltmeter to Anode, D110 (rear) and Ground.
3. Tune to a station of moderate strength near 1400kHz. Enter into Preset 4. Adjust C-136 for maximum reading on meter.
4. Adjust I-103 and I-104 for maximum reading on meter.
5. Tune to a station of moderate strength near 600kHz. Enter into Preset 3. Adjust L-101(AM Antenna) for maximum reading on meter (use non-interactive tool, such as plastic or wooden stick).
6. Repeat until no further improvement.

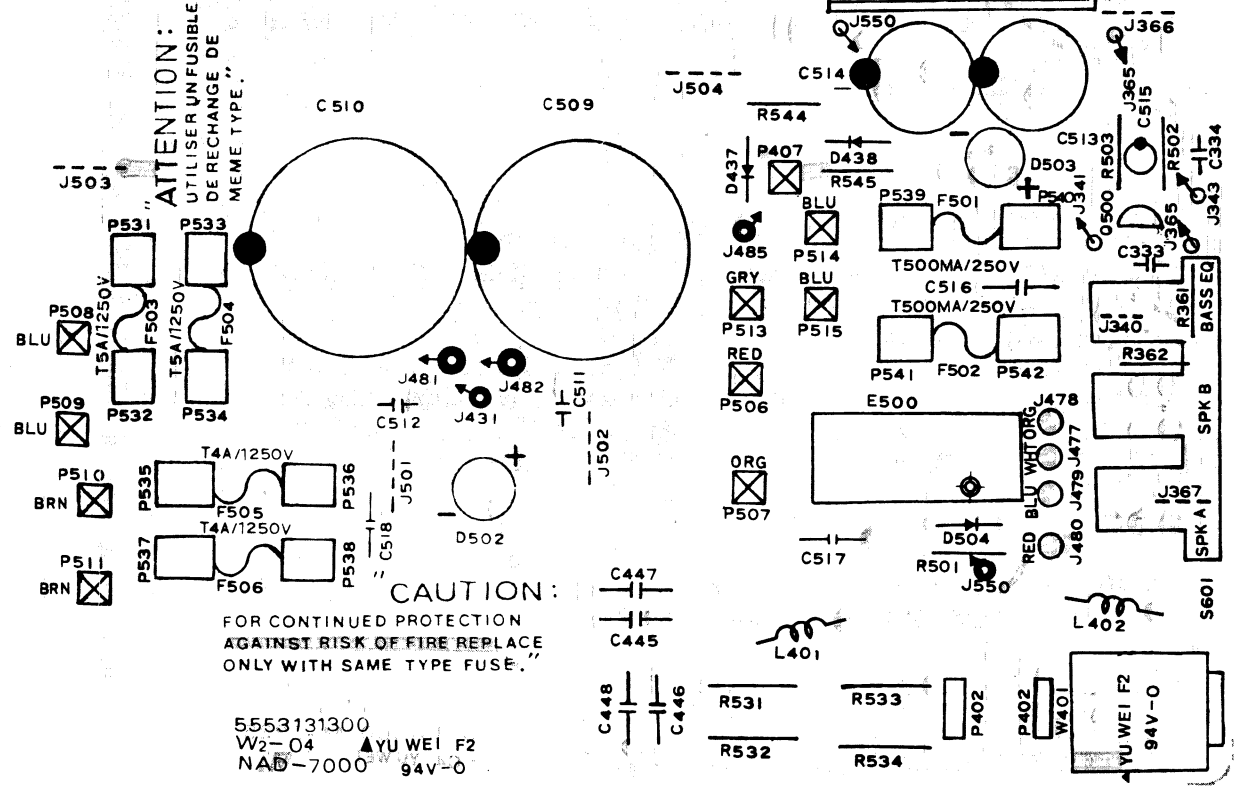
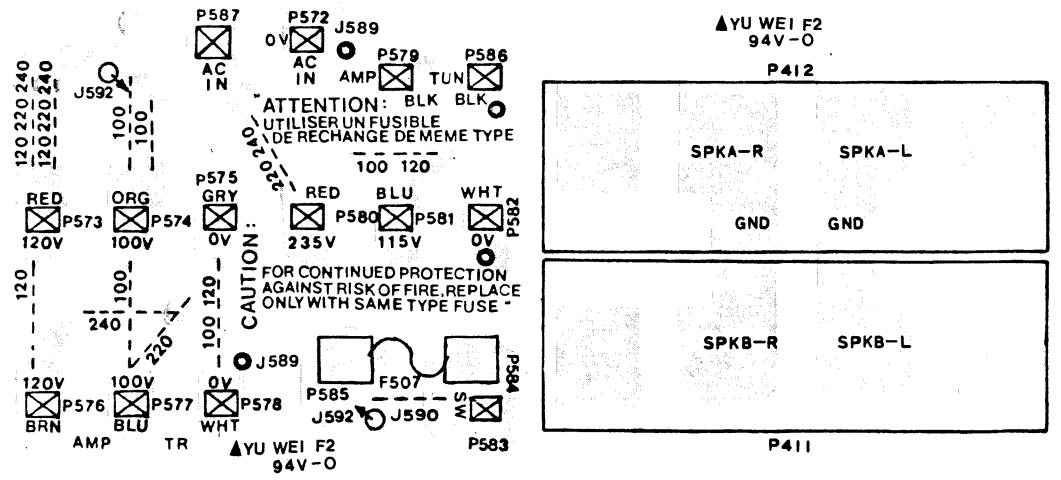
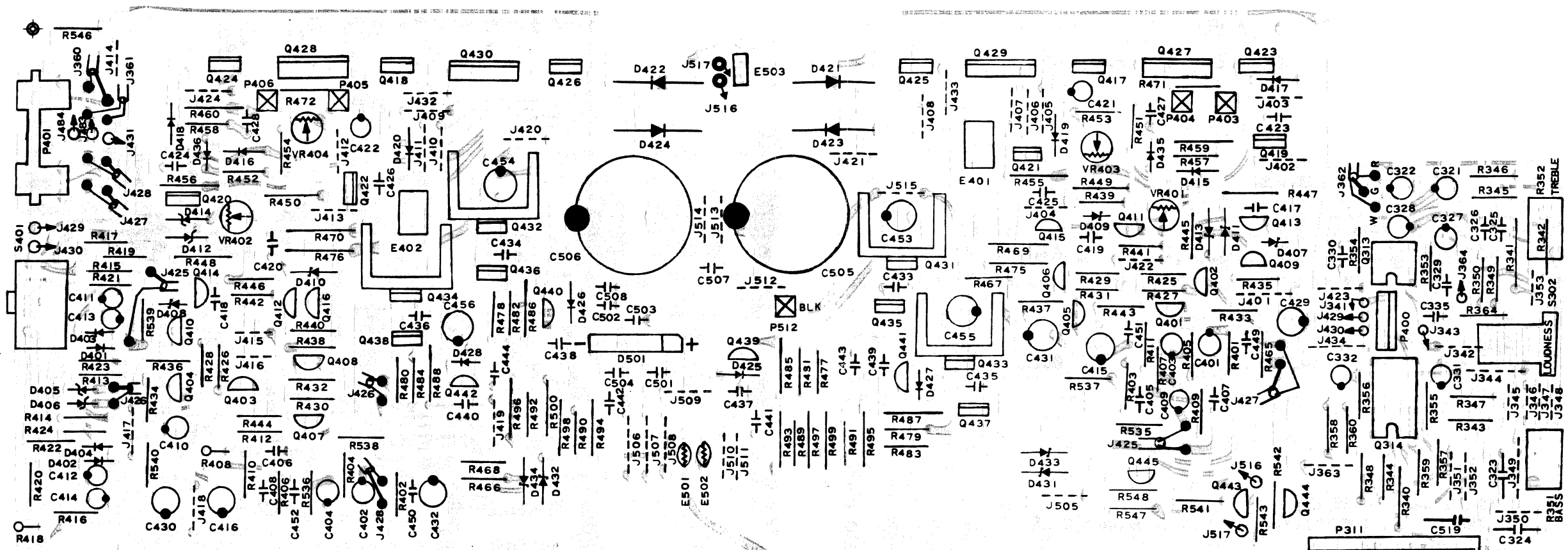
C. SCAN STOP/SIGNAL METER LEVEL

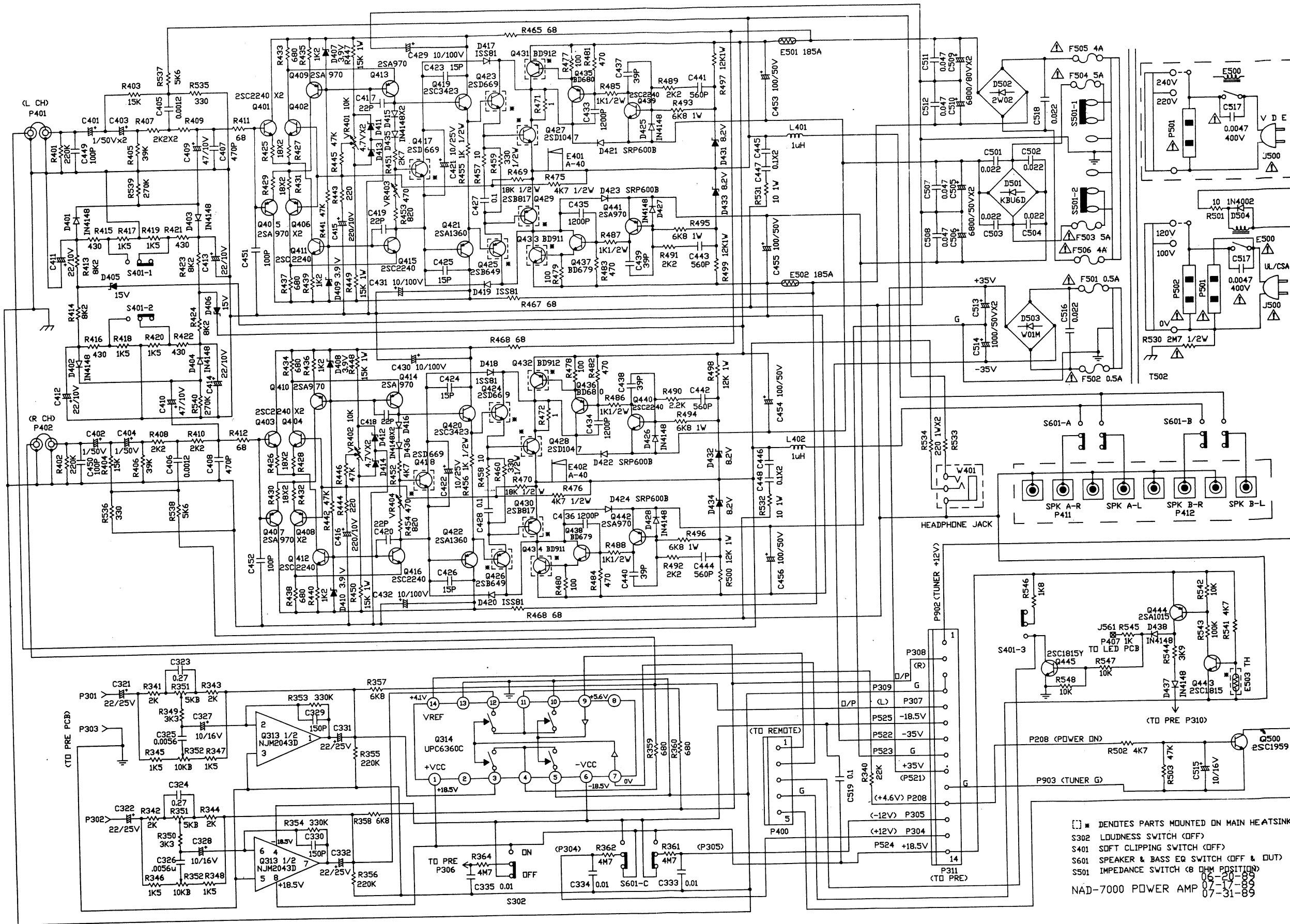
1. Tune to 1000kHz and feed 200uV to antenna terminals.
2. Adjust R-165 so that fifth LED just lights fully.

TUNER ADJUSTMENT POINTS



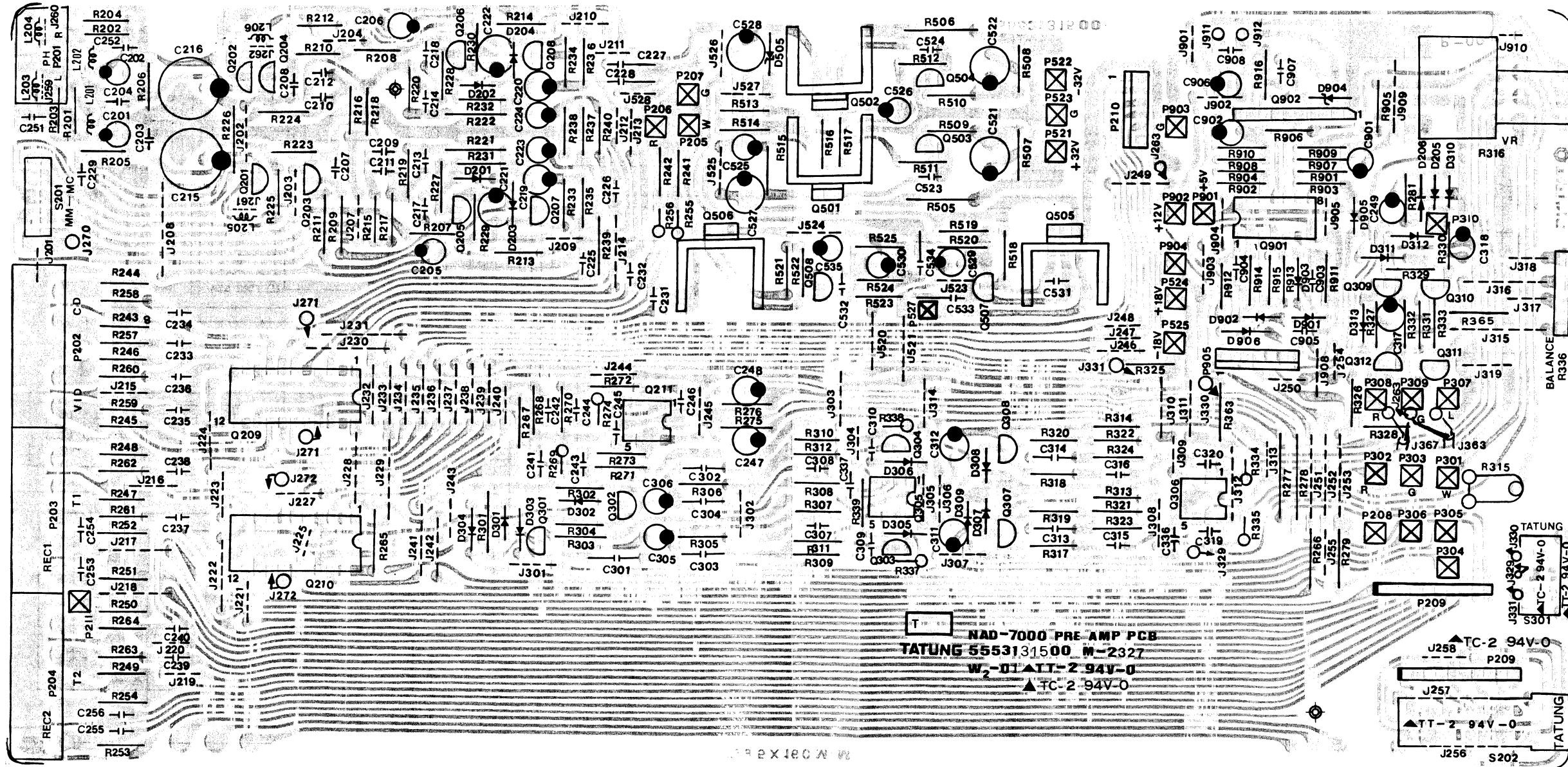
MAIN AMPLIFIER PCB LAYOUT
COMPONENT SIDE

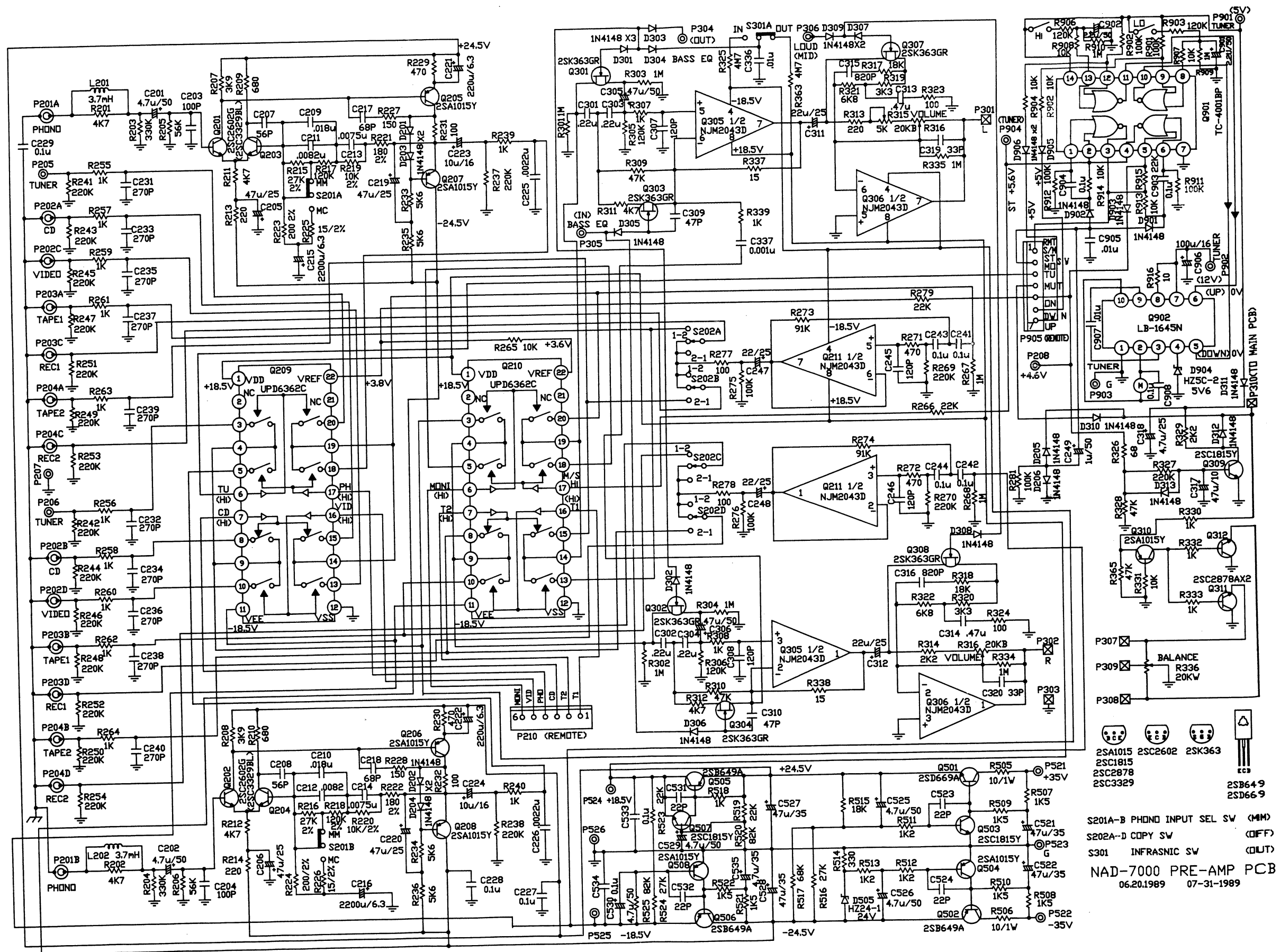




[] DENOTES PARTS MOUNTED ON MAIN HEATSINK
 S302 LOUDNESS SWITCH (OFF)
 S401 SFT CLIPPING SWITCH (OFF)
 S601 SPEAKER & BASS EQ SWITCH (OFF & OUT)
 S501 IMPEDANCE SWITCH (8 OHM POSITION)
 06-20-89
 NAD-7000 POWER AMP 07-17-89
 07-31-89

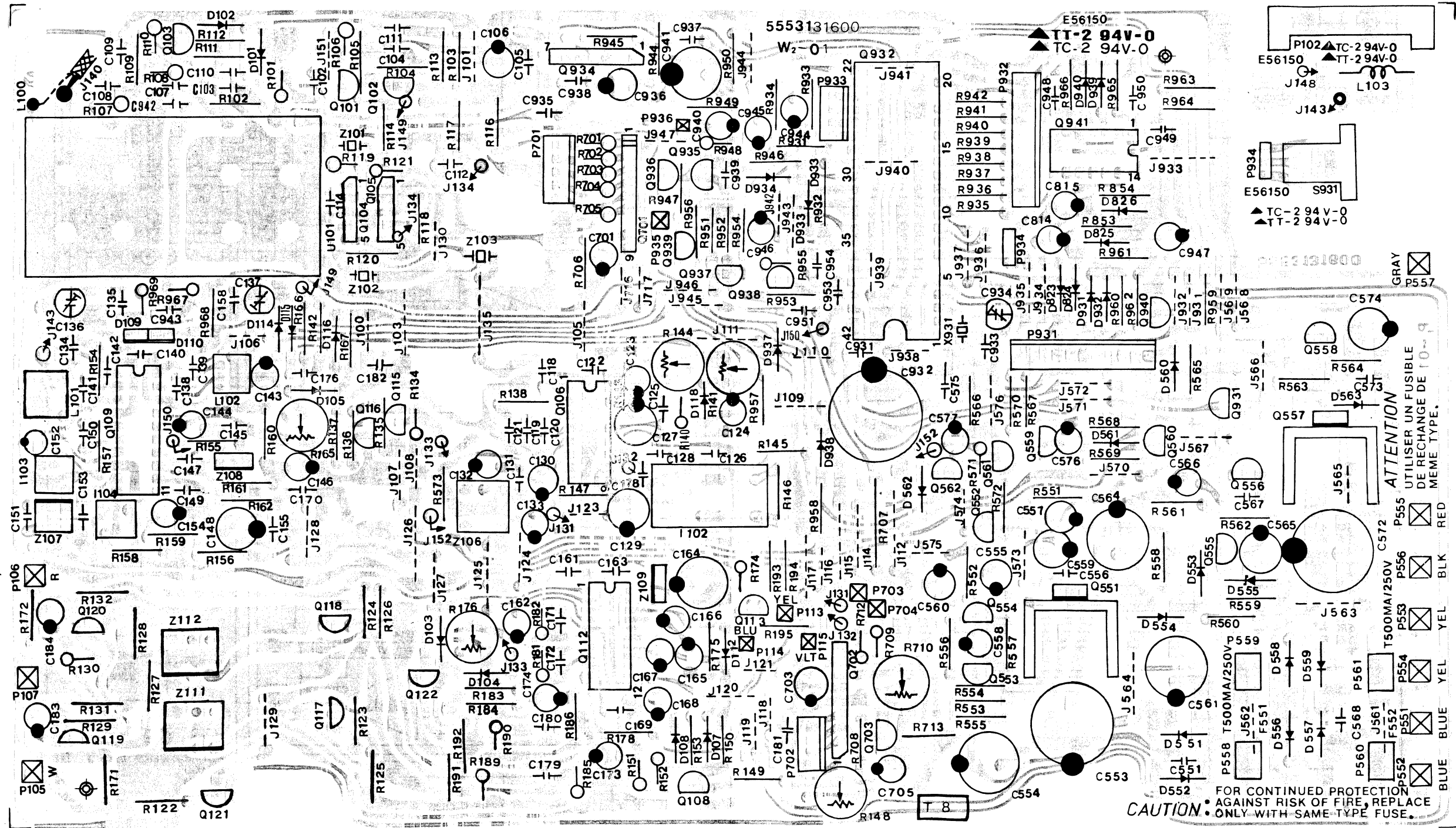
PREAMPLIFIER PCB LAYOUT
COMPONENT SIDE



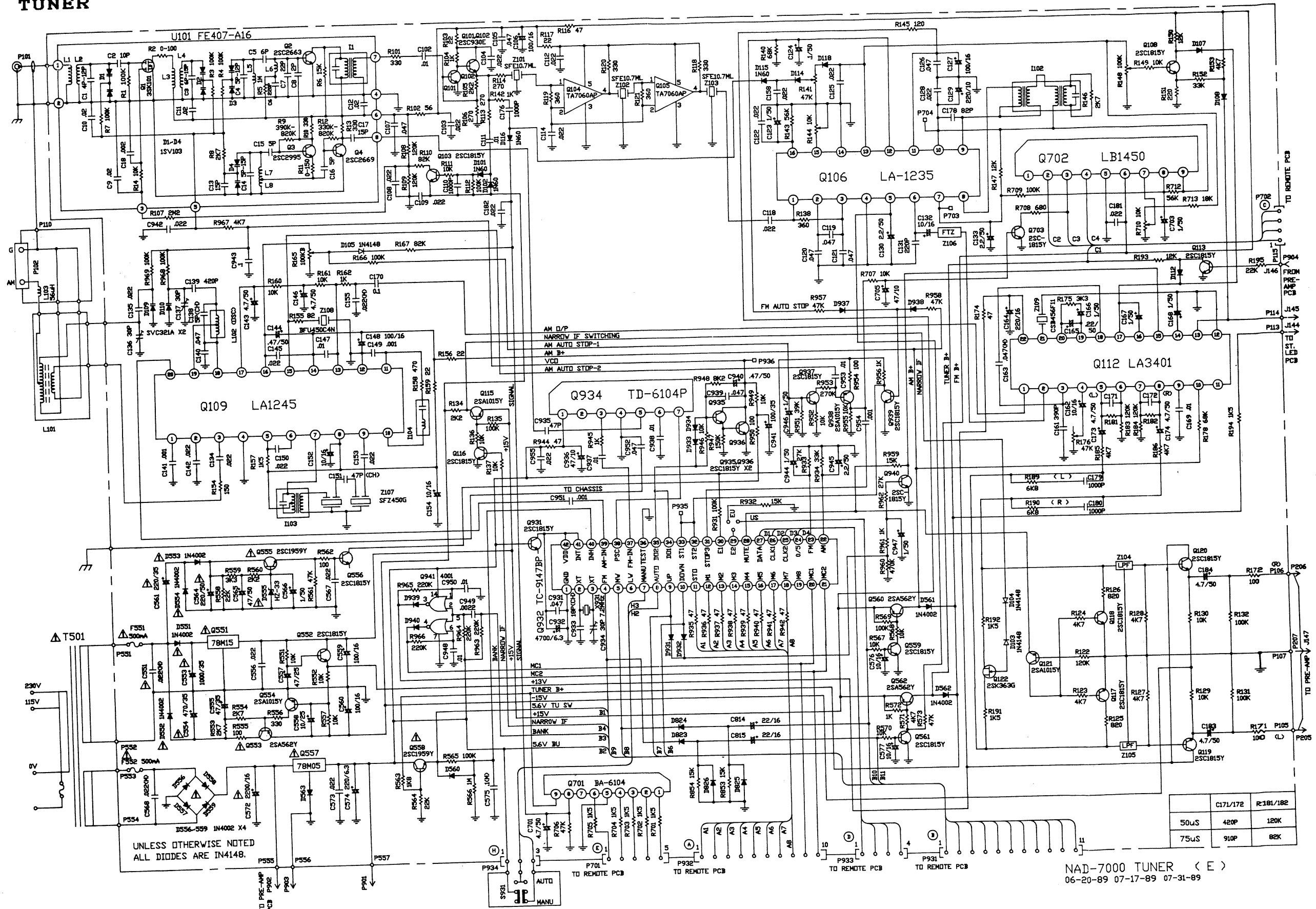


- 2SA1015
 - 2SC2602
 - 2SK363
 - 2SC1815
 - 2SC2878
 - 2SC3329
 - 2SB649
 - 2SD669
 - S201A-B PHONO INPUT SEL SW (MM)
 - S202A-D COPY SW (OFF)
 - S301 INFRASNIC SW (OUT)
- NAD-7000 PRE-AMP PCB**
06.20.1989 07-31-1989

TUNER PCB LAYOUT
COMPONENT SIDE



TUNER

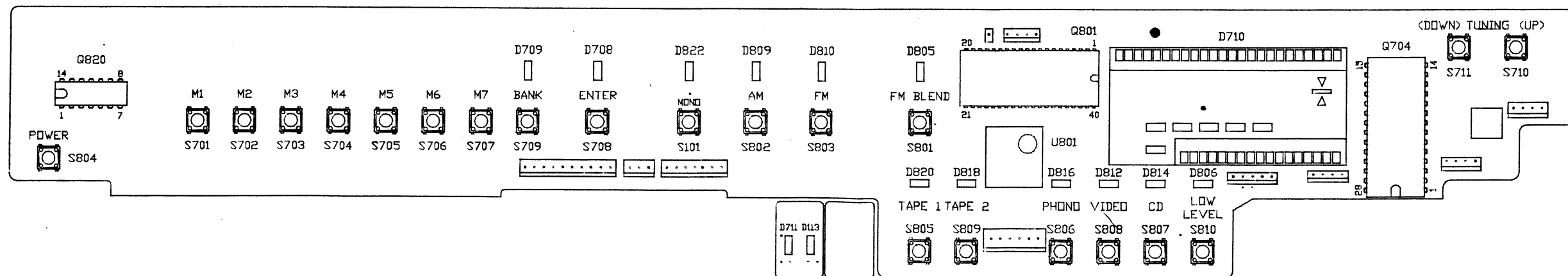
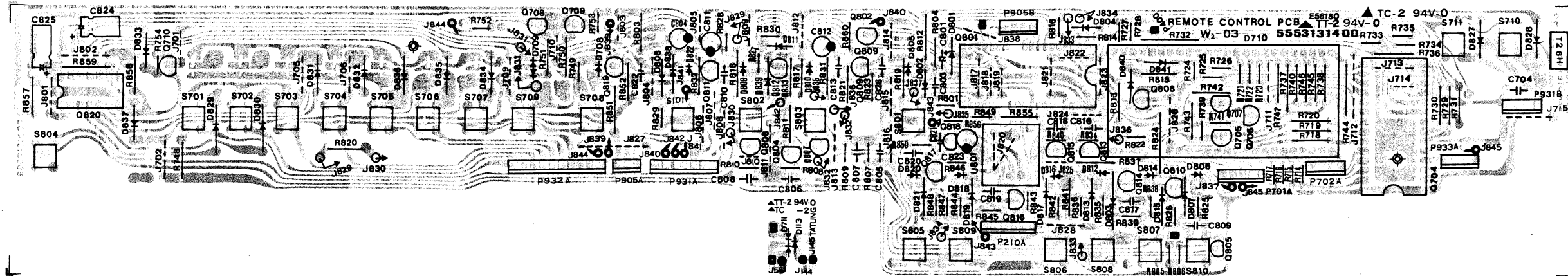


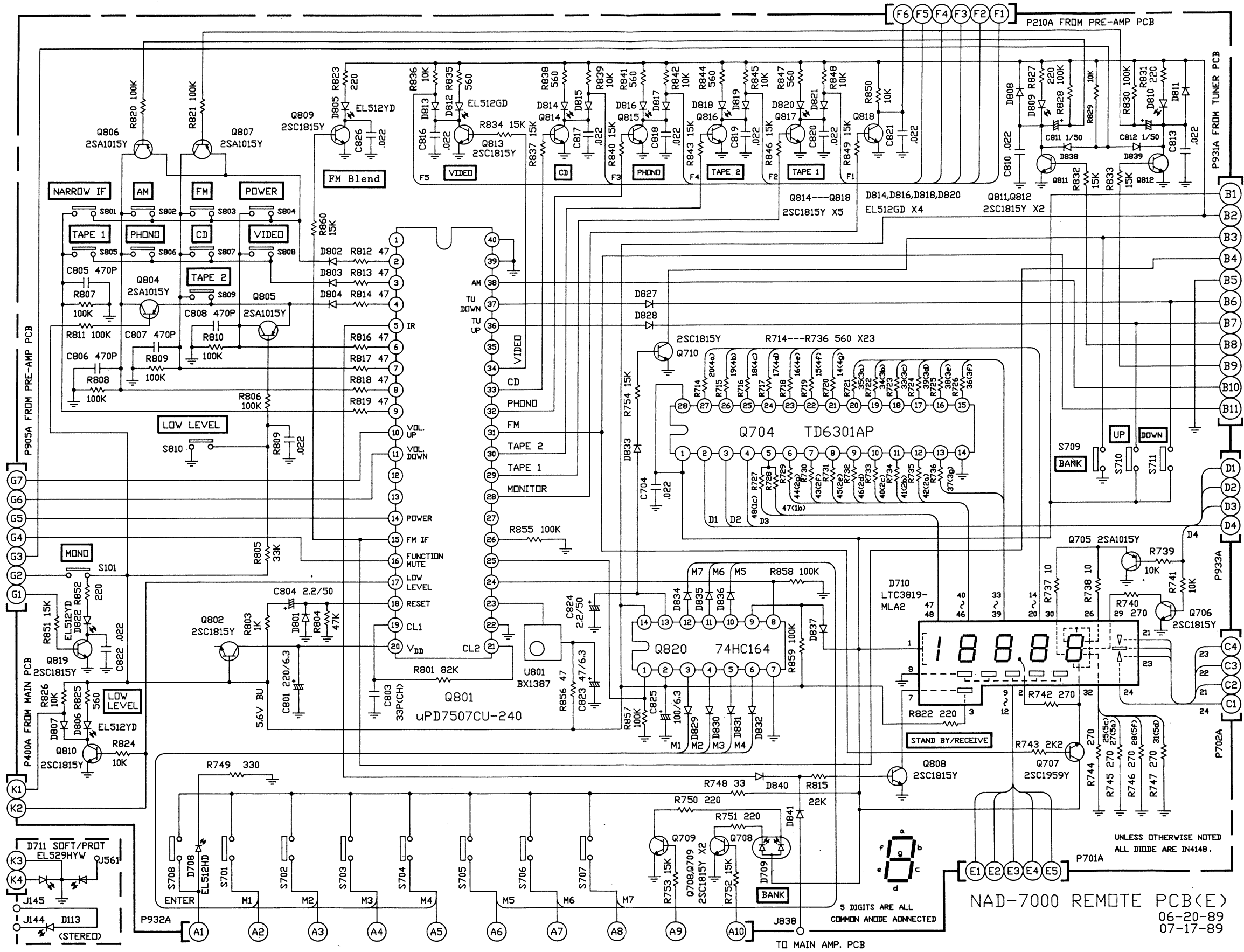
UNLESS OTHERWISE NOTED
ALL DIODES ARE IN4148.

NAD-7000 TUNER (E)
06-20-89 07-17-89 07-31-89

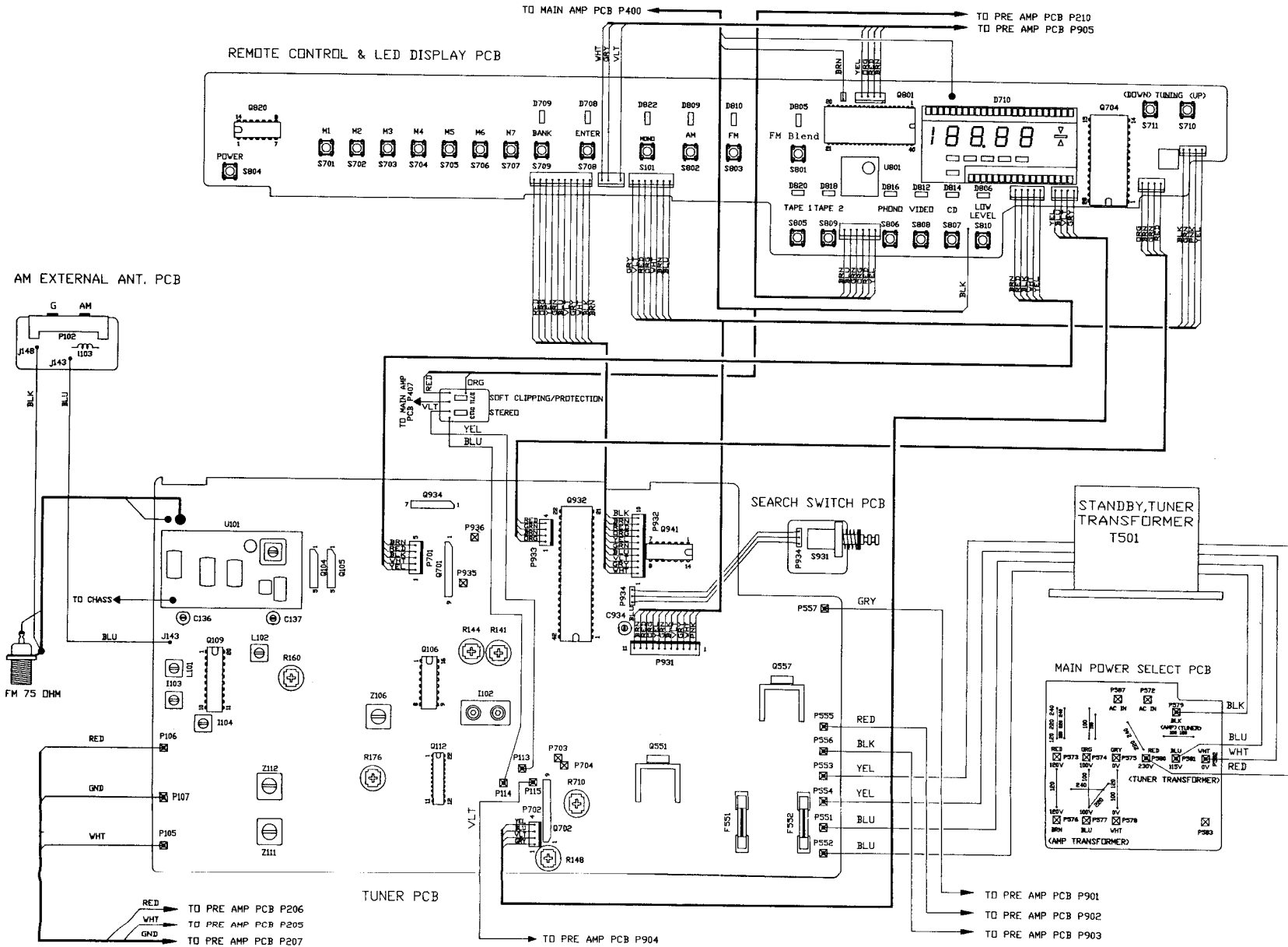
C171/172	R181/182
50uS	420P
75uS	910P
	82K

REMOTE/DISPLAY PCB LAYOUT
COMPONENT SIDE





TUNER AND REMOTE/DISPLAY WIRING



PARTS COMPARISON LIST (WITH MANY MODELS)

PART-NO.	DESCRIPTION	SPECIFICATION	UM	A	A1	B	B1	C	C1
5142427500	RESISTOR,CARBON FILM	RD SB 1/2W 2.7M	PC	1	1				
5142810390	RESISTOR,CARBON FILM	RD SB 1/4W 10K	PC	28	28	28	28	28	27
5142839390	RESISTOR,CARBON FILM	RD SB 1/4W 39K	PC	5	5	5	5	5	6
5145812406	RESISTOR,CARBON FILM	RD UB 1/4W 120K	PC	1	1	3	3	3	3
5145882306	RESISTOR,CARBON FILM	RD UB 1/4W 82K	PC	3	3	1	1	1	1
5226142100	CAPACITOR,POLYSTYRENE	CQ08S 50V 420PF	PC	1	1	3	3	3	3
5226191100	CAPACITOR,POLYSTYRENE	CQ08S 50V 910PF	PC	2	2				
5231822391	CAPACITOR,CERAMIC CK45	F DC 50V 22000PF	PC	39	39	39	39	39	38
5247068001	CAPACITOR,CERAMIC CC45	SL DC 50V 68PF	PC						3
5247127101	CAPACITOR,CERAMIC CC45	SL DC 50V 270PF	PC						4
5535203600	WARRANTY CARD	NAD-3220/7220	PC			1			
5535203700	WARRANTY CARD (A1)	NAD-3220/7220	PC		1				
5535444900	SPEC.LABEL	120V UL-1 A	PC	3					
5535444910	SPEC.LABEL	120V UL-1 A	PC		3				
5535444920	SPEC.LABEL	240V BS B	PC			3			
5535444930	SPEC.LABEL	240V SA-2 B1	PC				3		
5535444940	SPEC.LABEL	220V CEE-2 C	PC					3	
5535444950	SPEC.LABEL	220V CEE-2 C1	PC						3
5535447800	SAFETY INSTRUCTION	NAD-USA	PC		1				
5535448400	LIGHTNING LABEL	UL	PC		2				
5535450200	GERMAN POST OFFICE	NAD-SERIES	PC						1
5547033900	LUG	NAD-7100	PC	1	1				
5547131930	BACK PLATE (120V)	NAD-7000	PC	1	1				
5547131940	BACK PLATE (240V)	NAD-7000	PC			1	1		
5547131950	BACK PLATE (220V)	NAD-7000	PC					1	1
5547802120	FOOT	NAD-7100	PC	4		4	4	4	4
5547802121	RUBBER FOOT	NAD-7100(UL 94-V0)	PC		4				
5552102100	TUNER	FE407-A16	PC	1	1	1	1	1	
5552102110	TUNER	FE407-G25/R16/2879	PC						1
5552302800	ANT.ADAPTOR	2-U4010#01	PC	1	1				
5552302900	ANT.ADAPTOR	S-U5011#12	PC			1	1	1	1
5554306500	FUSE 5.2x20	T51 250V 500MA SEMKO	PC			4	4	4	4
5554306501	FUSE UL & CSA 5.2x20	250V 500ma	PC	4	4				
5554307400	FUSE 5.2x20	T51 250V 4.0A SEMKO	PC			2	2	2	2
5554307500	FUSE 5.2x20 5T5	5A 250V SEMKO	PC			2	2	2	2
5554307501	FUSE UL & CSA 5.2x20	125V 5A MEDIUM BLOW	PC	2	2				
5554309800	FUSE UL & CSA 5.2x20	125V 4A MEDIUM BLOW	PC	2	2				
5556200800	LUG	3.1MM	PC	1	1				
5556205300	75 OHM ANT TERMINAL	12-1030	PC			1	1	1	1
5556205310	75 OHM ANT TERMINAL	12-1032	PC	1	1				
5556205421	SPEAKER TERMINAL	S0-6253	PC	2	2	2	2		2
5556205431	SPEAKER TERMINAL	S0-6254	PC					2	
5556308320	AC OUTLET (POLARIZED)	S-I6519-02#01/HJC-030	PC	2	2				
5556311400	AC SOCKET	S-16536#01	PC			1		1	1
5556312100	AC RECEPTACLE	S2-739T-100	PC				1		
5556400700	ANT. CONNECTOR	SH-756	PC			1	1	1	1
5556700131	AC POWER CORD W/PLUG B	PL-21 42/.15x2Cx1.8M	PC						
5556701310	POWER CORD BLK GTBS-2F	24/0.2x2Cx2M(BS)	PC			1			
5556702011	AC POWER CORD W/PLUG B	SAA 42/0.15x2Cx1.8M	PC				1		
5556702121	POWER CORD W/PLUG SPT	AWG18# 41/0.16x2Cx2.1	PC	1	1				
5562001000	SPRING COIL	0.7x3x10TS	PC						1
5564401320	TRAP COIL	470 UH +-20%	PC						2
5564401330	TRAP COIL	22 UH +-20%	PC						2
5635410800	LABEL,SERIAL NO.	TV-19TD SYSTEM	PC		1				
6119210600	WIRE,TIN COATED SOFT C	0.6MM	M	16.52	16.52	16.46	16.46	16.46	16.22
6140071900	WIRE DOUBLE INSULATED	22AWG 17/0.16 UL1617	M			0.16	0.16	0.16	0.16
6140071922	WIRE DOUBLE INSULATED	22AWG 17/0.16 UL1617	M	0.4	0.4	0.5	0.5	0.5	0.5
6140071933	WIRE DOUBLE INSULATED	22AWG 17/0.16 UL1617	M	0.34	0.34	0.5	0.5	0.5	0.5
6176560600	WIRE PVC (COATING) UL	600V 5A 7/0.26 T=105	M	0.24	0.24				
6176560602	WIRE PVC (COATING) UL	600V 5A 7/0.26 T=105	M	0.23	0.23				
6176560603	WIRE PVC (COATING) UL	600V 5A 7/0.26 T=105	M	0.17	0.24				
6707020460	INSULATION TUBING PVC	600V T=105 AWG5 BLK	M	0.05	0.05				

VERSIONS CHART :

VERSION	VOLTAGE	COUNTRY
A	120 V	Canada.
A1	120 V	U.S.A.,Taiwen,Saudi Arabia.
A2	120 V/220 V Wire/With Adaptor	Germany Police.
B	240 V	U.K., South Africa.
B1	240 V	Australia.
C	220 V	Denmark, France, Thailand, Singapore, Finland, Greece, New Zealand, Norway, Hongkong, Israel,Netherlands, Sweden, Iceland, Italy, Switzerland, Spain.
C1	220 V	West Germany

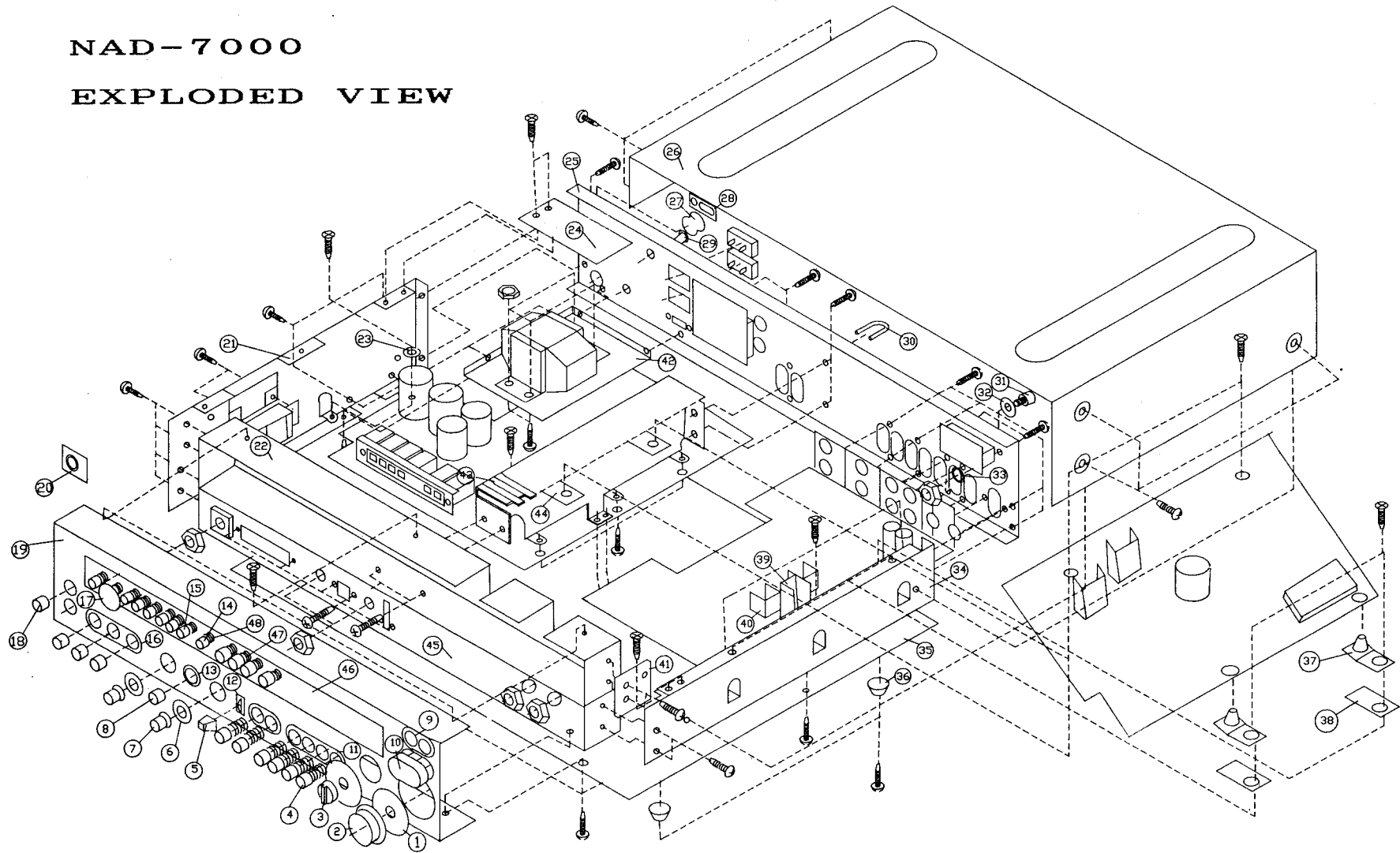
NAD-7000 PARTS LIST:A1

PARTS NO.	DESCRIPTION	SPECIFICATION	REFERENCE/LOCATION	QTY	UN	PARTS NO.	DESCRIPTION	SPECIFICATION	REFERENCE/LOCATION	QTY	UN
5064512940	SN FACT SPT HNH10902 ALPS.	DC12V 50MA P=1000F R=4.3KW	8101,701-711,801-810.	28	pcs	5142827190	RESISTOR,CARBON FILM	1/4W 270J B	R113,114,740,742,744.	8	pcs
506018055	PACKING ASS'Y	NAD-7000		1	pc				R745,746,747.		
506038055	CRASIS ASS'Y	NAD-7000		1	pc	5142827290	RESISTOR,CARBON FILM	1/4W 2.7KJ B	R146,451,452,553,554.	5	pcs
506048083	FRZ ASS'Y	NAD-7000		1	pc	5142827390	RESISTOR,CARBON FILM	1/4W 27KJ B	R516,524,662.	3	pcs
506048084	FRZ-AMP. PCB ASS'Y	NAD-7000		1	pc	5142827490	RESISTOR,CARBON FILM	1/4W 270J B	R539,540,953.	3	pcs
506048085	TUNER PCB ASS'Y	NAD-7000		1	pc	5142828090	RESISTOR,CARBON FILM	1/4W 33J B	R748.	1	pc
506048086	REMOVE PCB ASS'Y	NAD-7000		1	pc	5142833190	RESISTOR,CARBON FILM	1/4W 330J B	R118,120,514,535,536.	6	pcs
506090853	PRN PCB BLOCK	NAD-7100		1	pc				R556.		
506090854	COPT PCB BLOCK	NAD-7100		1	pc	5142833290	RESISTOR,CARBON FILM	1/4W 3.3KJ B	R175,319,320,349,350.	6	pcs
506090855	UPFRASONEIC PCB BLOCK	NAD-7100		1	pc				R559.		
506090856	AIN SW. PCB BLOCK	NAD-7100		1	pc	5142833390	RESISTOR,CARBON FILM	1/4W 33KJ B	R594	1	pc
5060908124	MAIN AMP PCB BLOCK	NAD-7000		1	pc	5142833490	RESISTOR,CARBON FILM	1/4W 330KJ B	R203,204,353,354.	4	pcs
5060908125	PRE AMP. PCB BLOCK	NAD-7000		1	pc	5142836190	RESISTOR,CARBON FILM	1/4W 360J B	R318.	1	pc
5060908126	TUNER PCB BLOCK	NAD-7000		1	pc	5142839290	RESISTOR,CARBON FILM	1/4W 3.9KJ B	R207,208,544.	3	pcs
5060908127	MT. BOARD PCB BLOCK	NAD-7000		1	pc	5142839390	RESISTOR,CARBON FILM	1/4W 39KJ B	R495,496,533,546,551.	6	pcs
5060908128	REMOVE PCB BLOCK	NAD-7000		1	pc				R565.		
5060908129	SPEAKER PCB BLOCK	NAD-7000		1	pc	5142841010	RESISTOR,CARBON FILM	1/4W 430J C 2	R422	1	pc
5060908130	POWER TERMINAL PCB BLOCK	NAD-7000		1	pc	5142841190	RESISTOR,CARBON FILM	1/4W 430J B	R415,416,421.	3	pcs
5060908131	LED PCB BLOCK	NAD-7000		1	pc	5142847090	RESISTOR,CARBON FILM	1/4W 47J B	R316,812,813,817,818.	15	pcs
5130210207	RES.,METAL OXIDE FILM,MWMT	1/2W 1.00KJ L 3	R455,456,485,488.	2	pcs				R819,825,836,837,838.		
5130221027	RES.,METAL OXIDE FILM,MWMT	1/2W 330J L	R459,460	6	pcs	5142847190	RESISTOR,CARBON FILM	1/4W 470J B	R939,940,941,942,944.	5	pcs
5130310003	RES.,METAL OXIDE FILM,MWMT	1W 10J SL 3	R531,532	2	pcs				R461,482,483,484.		
5130312303	RES.,METAL OXIDE FILM,MWMT	1W 18KJ SL 3	R497,498,499,500	4	pcs	5142847290	RESISTOR,CARBON FILM	1/4W 4.7KJ B	R123,124,127,128,153.	14	pcs
5130315303	RES.,METAL OXIDE FILM,MWMT	1W 15KJ SL 3	R447,448,449,450	4	pcs				R166,201,202,211,212.		
5130222103	RES.,METAL OXIDE FILM,MWMT	1W 220J SL 3	R533,534	2	pcs	5142847390	RESISTOR,CARBON FILM	1/4W 47KJ C	R311,312,502,541.		
5130362003	RES.,METAL OXIDE FILM,MWMT	1W 6.8KJ SL 3	R493,494,495,496	4	pcs				R528		
5133219003	RES.,FUSIBLE	1W 10J SL 2	R505,506	2	pcs	5142847490	RESISTOR,CARBON FILM	1/4W 47KJ B	R309,310,365,441,442.	13	pcs
5133880003	RES.,FUSIBLE	1/4W 68J SL	R465,466,467,468	4	pcs				R445,446,503,501,573.		
5141810190	RESISTOR,CARBON FILM	1/4W 100KJ B	R219,220	2	pcs				R706,357,358.		
5141810490	RESISTOR,CARBON FILM	1/4W 120KJ B	R217,218	2	pcs	5142847590	RESISTOR,CARBON FILM	1/4W 470J B	R960	1	pc
5141810590	RESISTOR,CARBON FILM	1/4W 15KJ B	R225,226	2	pcs	5142847690	RESISTOR,CARBON FILM	1/4W 4.7KJ B	R346	1	pc
5141810890	RESISTOR,CARBON FILM	1/4W 180KJ B	R221,222	2	pcs	5142847790	RESISTOR,CARBON FILM	1/4W 4.7KJ C	R325	1	pc
5141820190	RESISTOR,CARBON FILM	1/4W 200KJ B	R223,224	2	pcs	5142847890	RESISTOR,CARBON FILM	1/4W 4.7KJ D	R361,362,363	3	pcs
5141820390	RESISTOR,CARBON FILM	1/4W 270KJ B	R215,216	2	pcs	5142847990	RESISTOR,CARBON FILM	1/4W 4.7KJ D	R102	1	pc
5142110295	RESISTOR,CARBON FILM	1/6W 10KJ T	R735,741,826,829,836	10	pcs	5142851990	RESISTOR,CARBON FILM	1/4W 560J B	R718,719,720,729,730.	5	pcs
			R735,812,845,848,850						R731,732,841.		
5142110400	RESISTOR,CARBON FILM	1/6W 100KJ T	R805	1	pc	5142856290	RESISTOR,CARBON FILM	1/4W 5.6KJ B	R233,234,235,236,517.	6	pcs
5142110495	RESISTOR,CARBON FILM	1/6W 100KJ T	R807-810,828,830	6	pcs				R538		
5142115390	RESISTOR,CARBON FILM	1/6W 15KJ T	R800	1	pc	5142856390	RESISTOR,CARBON FILM	1/4W 56KJ B	R143,205,206.	3	pcs
5142115395	RESISTOR,CARBON FILM	1/6W 15KJ T	R752,834,840,843,846	5	pcs	5142868090	RESISTOR,CARBON FILM	1/4W 68J B	R395,411,412.	3	pcs
			R849			5142868190	RESISTOR,CARBON FILM	1/4W 680J B	R209,210,359,360,493.	9	pcs
5142122190	RESISTOR,CARBON FILM	1/6W 200J T	R823	1	pc				R434,437,438,708.	4	pcs
5142122195	RESISTOR,CARBON FILM	1/6W 220J T	R822,827	2	pcs	5142868290	RESISTOR,CARBON FILM	1/4W 6.8KJ B	R321,322,357,358.	2	pcs
5142123195	RESISTOR,CARBON FILM	1/6W 330J T	R749	1	pc	5142868390	RESISTOR,CARBON FILM	1/4W 68KJ B	R178,317.	2	pcs
5142133090	RESISTOR,CARBON FILM	1/6W 33KJ B	R805	1	pc	5142868490	RESISTOR,CARBON FILM	1/4W 68J B	R155.	1	pc
5142147095	RESISTOR,CARBON FILM	1/6W 47J T	R814,856	2	pcs	5142868590	RESISTOR,CARBON FILM	1/4W 680J C	R453	1	pc
5142147390	RESISTOR,CARBON FILM	1/6W 47KJ B 3	R804	1	pc	5142868690	RESISTOR,CARBON FILM	1/4W 680J D	R125,126,454.	3	pcs
5142156101	RESISTOR,CARBON FILM	1/6W 560J C	R727,728	2	pcs	5142868790	RESISTOR,CARBON FILM	1/4W 6.2KJ B	R413,414,422,424.	4	pcs
5142156190	RESISTOR,CARBON FILM	1/6W 560KJ B 3	R738	1	pc	5142868890	RESISTOR,CARBON FILM	1/4W 62KJ B	R167,520,525.	3	pcs
5142156195	RESISTOR,CARBON FILM	1/6W 560J T	R714-717,721-726	18	pcs	5142891390	RESISTOR,CARBON FILM	1/4W 91KJ B	R273	1	pc
			R733-735,825,835,838			5145810290	RESISTOR,CARBON FILM	1/4W 1KJ B	R255,256.	2	pcs
			R844,847			5145810390	RESISTOR,CARBON FILM	1/4W 10KJ 2U	R130,355.	2	pcs
5142175395	RESISTOR,CARBON FILM	1/6W 75KJ T 3	R801	1	pc	5145810490	RESISTOR,CARBON FILM	1/4W 100KJ 2U	R709,369.	2	pcs
5142182390	RESISTOR,CARBON FILM	1/2W 18KJ T 3	R469,470	2	pcs	5145810590	RESISTOR,CARBON FILM	1/4W 18KJ 2U	R334,335.	2	pcs
5142182590	RESISTOR,CARBON FILM	1/2W 2.2KJ T	R530,AA01	2	pcs	5145812490	RESISTOR,CARBON FILM	1/4W 120KJ 2U	R108,181/AB01,AB101,	9	pcs
5142182790	RESISTOR,CARBON FILM	1/2W 4.7KJ B 3	R475,476	2	pcs				R181/AC01,AC101,182/AB01,		
5142801001	RESISTOR,CARBON FILM	1/4W 1J C	R472	1	pc				AB101,182/AC01,AC101		
5142801090	RESISTOR,CARBON FILM	1/4W 1J B	R471	1	pc	5145816090	RESISTOR,CARBON FILM	1/4W 15J 2U	R337,338.	2	pcs
5142810990	RESISTOR,CARBON FILM	1/4W 10J B	R457,458,501,737,738	6	pcs	5145816290	RESISTOR,CARBON FILM	1/4W 1.5KJ 2U	R701,702,703,704,705.	5	pcs
5142810995	RESISTOR,CARBON FILM	1/4W 10J B	R816	1	pc	5145816390	RESISTOR,CARBON FILM	1/4W 1.5KJ 2U	R148.	1	pc
5142810190	RESISTOR,CARBON FILM	1/4W 100J C	R172	1	pc	5145816490	RESISTOR,CARBON FILM	1/4W 15KJ 2U	R753,754.	2	pcs
5142810195	RESISTOR,CARBON FILM	1/4W 100J C	R171,231,232,277,278.	15	pcs	5145822190	RESISTOR,CARBON FILM	1/4W 220J 2U	1551.	1	pc
			R233,324,477,478,479.			5145822290	RESISTOR,CARBON FILM	1/4W 2.2KJ 2U	R134.	1	pc
			R460,555,562,560,564.			5145822390	RESISTOR,CARBON FILM	1/4W 2.2KJ 2U	R408	1	pc
5142812990	RESISTOR,CARBON FILM	1/4W 1KJ B	R104,142,162,235,240.	25	pcs	5145822490	RESISTOR,CARBON FILM	1/4W 220KJ 2U	R269	1	pc
			R257,258,259,260,261.			5145822590	RESISTOR,CARBON FILM	1/4W 220KJ 2U	R107	1	pc
			R262,263,264,307,308.			5145822690	RESISTOR,CARBON FILM	1/4W 270J 2U	R106	1	pc
			R330,332,333,335,518.			5145833106	RESISTOR,CARBON FILM	1/4W 330J 2U	R101	1	pc
			R545,572,803,945,961.			5145833306	RESISTOR,CARBON FILM	1/4W 33KJ 2U	R152	1	pc
5142816090	RESISTOR,CARBON FILM	1/4W 10KJ	R949	1	pc	51458336106	RESISTOR,CARBON FILM	1/4W 360J 2U	R119,121.	2	pcs
5142816095	RESISTOR,CARBON FILM	1/4W 10KJ B	R111,129,135,157,149.	32	pcs	5145847090	RESISTOR,CARBON FILM	1/4W 47J 2U	R174,816.	2	pcs
			R160,161,265,311,342.			5145847290	RESISTOR,CARBON FILM	1/4W 4.7KJ 2U	R165,571.	2	pcs
			R547,548,551,552,557.			5145856390	RESISTOR,CARBON FILM	1/4W 56KJ 2U	R712.	1	pc
			R581,580,570,107,884.			5145856490	RESISTOR,CARBON FILM	1/4W 5.6KJ 2U	R189,190.	2	pcs
			R803,804,919,906,819.			5145856590	RESISTOR,CARBON FILM	1/4W 56KJ 2U	R140.	1	pc
			R814,946/AA01,AA101.			5145856690	RESISTOR,CARBON FILM	1/4W 5.6KJ 2U	R848.	1	pc
			R946/AB01,AB101.			5145862390	RESISTOR,CARBON FILM	1/4W 62KJ 2U	R110,8181/AA01,AA1D,1.	5	pcs
			R946/AC01,AC101.						R182/AA01,AA101.		
5142818490	RESISTOR,CARBON FILM	1/4W 100KJ B	R112,131,132,135,166.	24	pcs				AA101.		
			R276,278,281,543,565.			5145891390	RESISTOR,CARBON FILM	1/4W 91KJ 2U	R274.	1	pc
			R569,811,820,821,855.			5146210290	RESISTOR,VR PCTPFB10AR 1/8W B	RH1051C1010 10K OHM	R144,710,VR401,401.	4	pcs
			R587,856,859,901,902.			5146210420	RESISTOR,VR PCTPFB10AR 1/8W B	RH1051C1010 100K OHM	R148,165.	2	pcs
			R911,912,931,968.			51462347120	RESISTOR,VR PCTPFB10AR 1/8W B	RH1051A171-TT 470 OHM	VR403,404.	2	pcs
5142819590	RESISTOR,CARBON FILM	1/4W 1MJ B	R517,266,301,302,303.	9	pcs	51462401720	RESISTOR,VR08P502MCO	RH081AA50250 50 OHM	R315.	1	pc
			R304,566,909,916.			51462412520	RESISTOR,VR RY108B473AR	1/4W 4.7KJ OHM X	R141,176.	2	pcs
5142819190	RESISTOR,CARBON FILM	1/4W 120J B	R145.	1	pc	5					

PARTS NO.	DESCRIPTION	SPECIFICATION	REFERENCE/LOCATION	QTY	UN	PARTS NO.	DESCRIPTION	SPECIFICATION	REFERENCE/LOCATION	QTY	UN	
555201900	SQUARE PIN 1.1x1.1x16	K-2664A	P105,106,107,110,114, P115,205,206,207,208, P211,301,302,303,304, P305,306,307,308,309, P310,311,403,404,405, P406,407,506,507,508, P509,510,511,512,513, P514,515,521,522,523, P524,525,527,528,529, P533,534,535,536,537, P703,704,901,902,903, P904,935,936	58	pcs	6611007230	DIODE RECTIFIER NOT	NOT INH002 100V 1A T-262W	5504,551-554,556-559, 5581,562	11	pcs	
555204600	4P SIGNAL JACK 12-2092		P202,203,204,401, P201	4	pcs	6611007301	DIODE RECTIFIER BRIDGE	BRIDGE GRT 100V 1.5V	5501	1	pcs	
555204710	2P SIGNAL JACK 12-2123-1		P101/AB01,AB101, P101/AC01,AC101	1	pcs	6611007302	DIODE RECTIFIER BRIDGE	BRIDGE GRT 100V 1.5V	5501	1	pcs	
555205300	75 OHM ANT TERMINAL 12-1030		P101/AA01,AA101, P111/AA01,AA101	4	pcs	6611007303	DIODE RECTIFIER BRIDGE	BRIDGE GRT 200V 2A	D421-424, D502	4	pcs	
555205310	75 OHM ANT TERMINAL 12-1032		P102	1	pcs	6612004001	DIODE DETECTOR	TSB IN650	D101,102,115,116	4	pcs	
555205421	SPEAKER TERMINAL	S0-6253	P004/AB01,AB101, P004/AC01,AC101	2	pcs	6612004002	DIODE SWITCHING	ITT 1M4148	D103-105,107,108,112, D114,118,201-206,201-313, D401-404,416,416,425-428, D435-438,560,563,801-804, 807,808,811,813,815,817, D819,821,823-841,901-903, 905,906,931-934,937-940	87	pcs	
555205431	SPEAKER TERMINAL	S0-6254	P101/AA01,AA101, P111/AA01,AA101, P111/AB01,AB101,AC101, P112/AA01,AA101, P112/AB01,AB101,AC101	10	pcs	6613001411	DIODE SWITCHING	HIT 15S81 200V 1A T-522W	D417-420	4	pcs	
555205450	2P TERMINAL	S-Q2733140	P102	1	pcs	6613001412	DIODE ZENER	UNI UZ5.6W 5.4-5.8V 0.5W T-262W	D109,110	2	pcs	
555205460	AC OUTPUT (POLARIZED)	S-16519-02/01/R2C-030A	P501/AB01,AC01,AC101	3	pcs	6613001413	DIODE ZENER	HIT RZ15V-3 15V 0.4W	D904	2	pcs	
555311300	6.4 JACK	JT-5312-02-030	P501/AB01,AC01,AC101	3	pcs	6613001414	DIODE ZENER	HIT RZ40-1 4.4-4.8V 0.5W	D411,412,413,414	4	pcs	
555311400	AC SOCKET	S-16536001	P502/AA01,AA101, P502/AB01,AB101	1	pcs	6613001415	DIODE ZENER	HIT RZ64-1 5.4-5.7V T-522W	D904	1	pcs	
555312100	AC RECEPTACLE	SE-1397-100	P502/AA01,AA101, P502/AB01,AB101	1	pcs	6613001416	DIODE ZENER	HIT RZ10-1 10V 0.5W	D101,102,115,116	4	pcs	
555312200	ANT. CONNECTOR	SE-756	P004/AB01,AB101, P004/AC01,AC101	4	pcs	6613001417	DIODE ZENER	HIT RZ15-1 15V 0.5W	D555	1	pcs	
555651402	5P HOUSING ASSY	L-250,UL-1007 ANG26877/0.16 W-2089A	P004	1	pcs	6613001418	DIODE ZENER	L5531G-11 2x5MM RED DIFFUSED	D708	1	pcs	
555651800	RING TERMINAL CONNECTOR	L-458N	W401	1	pcs	6613001419	DIODE ZENER	L5533-11 2x5MM YELLOW DIFFUSED	D113,805,805,822	4	pcs	
555651900	1P HOUSING ASSY	W401	P501/AB01,AC01,AC101	3	pcs	6613001420	DIODE ZENER	L5532-11 1x5MM GRN DIFFUSED LDRTECH	D809,810,812,814,816	7	pcs	
555651910	4P HOUSING ASSY	W401	P501/AB01,AC01,AC101	3	pcs	6613001421	DIODE ZENER	6618015900 DIODED LED	D710	1	pcs	
555651920	5P HOUSING ASSY	W401	P501/AB01,AC01,AC101	3	pcs	6613001422	DIODE ZENER	6618017400 DIODED LED	DIODED LED BLT EL52399W-A YELLOW/GREEN 2x5MM	D709	1	pcs
555651930	6P HOUSING ASSY	W401	P501/AB01,AC01,AC101	3	pcs	6613001423	DIODE ZENER	6618018700 DIODED LED	DIODED LED LIT LTC-3819WLA2.0 4.5 DIGIT	D117	1	pcs
555651940	7P HOUSING ASSY	W401	P501/AB01,AC01,AC101	3	pcs	6613001424	DIODE ZENER	6621001201 TR. NPN	4500,555,558,707	4	pcs	
555651950	14P HOUSING ASSY	W401	P501/AB01,AC01,AC101	3	pcs	6613001425	DIODE ZENER	6621012101 TR. NPN	Q101,102	2	pcs	
555651960	14P HOUSING ASSY	W401	P501/AB01,AC01,AC101	3	pcs	6613001426	DIODE ZENER	6621015302 TR. NPN	4507,706,808	4	pcs	
555700131	AC POWER CORD	W/PLUG BLK (VDR)PL-21 42/.15x2Cxl.8W	J500/AB01,AC101	2	pcs	6621015332 TR. NPN	6621015332 TR. NPN	HIT RZ1015-1 10V 0.5W	Q103,106,113,116-120	38	pcs	
555700132	AC POWER CORD	W/PLUG BLK (VDR)PL-21 42/.15x2Cxl.8W	J500/AB01,AC101	2	pcs	6621015333 TR. NPN	6621015333 TR. NPN	HIT RZ1015-1 10V 0.5W	Q109,110,445,503,552	1	pcs	
555700133	AC POWER CORD	W/PLUG BLK (VDR)PL-21 42/.15x2Cxl.8W	J500/AB01,AC101	2	pcs	6621015334 TR. NPN	6621015334 TR. NPN	HIT RZ1015-1 10V 0.5W	Q109,110,445,503,552	1	pcs	
555700134	AC POWER CORD	W/PLUG BLK (VDR)PL-21 42/.15x2Cxl.8W	J500/AB01,AC101	2	pcs	6621015335 TR. NPN	6621015335 TR. NPN	HIT RZ1015-1 10V 0.5W	Q109,110,445,503,552	1	pcs	
555700135	AC POWER CORD	W/PLUG BLK (VDR)PL-21 42/.15x2Cxl.8W	J500/AB01,AC101	2	pcs	6621015336 TR. NPN	6621015336 TR. NPN	HIT RZ1015-1 10V 0.5W	Q109,110,445,503,552	1	pcs	
555700136	AC POWER CORD	W/PLUG BLK (VDR)PL-21 42/.15x2Cxl.8W	J500/AB01,AC101	2	pcs	6621015337 TR. NPN	6621015337 TR. NPN	HIT RZ1015-1 10V 0.5W	Q109,110,445,503,552	1	pcs	
555700137	AC POWER CORD	W/PLUG BLK (VDR)PL-21 42/.15x2Cxl.8W	J500/AB01,AC101	2	pcs	6621015338 TR. NPN	6621015338 TR. NPN	HIT RZ1015-1 10V 0.5W	Q109,110,445,503,552	1	pcs	
555700138	AC POWER CORD	W/PLUG BLK (VDR)PL-21 42/.15x2Cxl.8W	J500/AB01,AC101	2	pcs	6621015339 TR. NPN	6621015339 TR. NPN	HIT RZ1015-1 10V 0.5W	Q109,110,445,503,552	1	pcs	
555700139	AC POWER CORD	W/PLUG BLK (VDR)PL-21 42/.15x2Cxl.8W	J500/AB01,AC101	2	pcs	6621015340 TR. NPN	6621015340 TR. NPN	HIT RZ1015-1 10V 0.5W	Q109,110,445,503,552	1	pcs	
555700140	AC POWER CORD	W/PLUG BLK (VDR)PL-21 42/.15x2Cxl.8W	J500/AB01,AC101	2	pcs	6621015341 TR. NPN	6621015341 TR. NPN	HIT RZ1015-1 10V 0.5W	Q109,110,445,503,552	1	pcs	
555700141	AC POWER CORD	W/PLUG BLK (VDR)PL-21 42/.15x2Cxl.8W	J500/AB01,AC101	2	pcs	6621015342 TR. NPN	6621015342 TR. NPN	HIT RZ1015-1 10V 0.5W	Q109,110,445,503,552	1	pcs	
555700142	AC POWER CORD	W/PLUG BLK (VDR)PL-21 42/.15x2Cxl.8W	J500/AB01,AC101	2	pcs	6621015343 TR. NPN	6621015343 TR. NPN	HIT RZ1015-1 10V 0.5W	Q109,110,445,503,552	1	pcs	
555700143	AC POWER CORD	W/PLUG BLK (VDR)PL-21 42/.15x2Cxl.8W	J500/AB01,AC101	2	pcs	6621015344 TR. NPN	6621015344 TR. NPN	HIT RZ1015-1 10V 0.5W	Q109,110,445,503,552	1	pcs	
555700144	AC POWER CORD	W/PLUG BLK (VDR)PL-21 42/.15x2Cxl.8W	J500/AB01,AC101	2	pcs	6621015345 TR. NPN	6621015345 TR. NPN	HIT RZ1015-1 10V 0.5W	Q109,110,445,503,552	1	pcs	
555700145	AC POWER CORD	W/PLUG BLK (VDR)PL-21 42/.15x2Cxl.8W	J500/AB01,AC101	2	pcs	6621015346 TR. NPN	6621015346 TR. NPN	HIT RZ1015-1 10V 0.5W	Q109,110,445,503,552	1	pcs	
555700146	AC POWER CORD	W/PLUG BLK (VDR)PL-21 42/.15x2Cxl.8W	J500/AB01,AC101	2	pcs	6621015347 TR. NPN	6621015347 TR. NPN	HIT RZ1015-1 10V 0.5W	Q109,110,445,503,552	1	pcs	
555700147	AC POWER CORD	W/PLUG BLK (VDR)PL-21 42/.15x2Cxl.8W	J500/AB01,AC101	2	pcs	6621015348 TR. NPN	6621015348 TR. NPN	HIT RZ1015-1 10V 0.5W	Q109,110,445,503,552	1	pcs	
555700148	AC POWER CORD	W/PLUG BLK (VDR)PL-21 42/.15x2Cxl.8W	J500/AB01,AC101	2	pcs	6621015349 TR. NPN	6621015349 TR. NPN	HIT RZ1015-1 10V 0.5W	Q109,110,445,503,552	1	pcs	
555700149	AC POWER CORD	W/PLUG BLK (VDR)PL-21 42/.15x2Cxl.8W	J500/AB01,AC101	2	pcs	6621015350 TR. NPN	6621015350 TR. NPN	HIT RZ1015-1 10V 0.5W	Q109,110,445,503,552	1	pcs	
555700150	AC POWER CORD	W/PLUG BLK (VDR)PL-21 42/.15x2Cxl.8W	J500/AB01,AC101	2	pcs	6621015351 TR. NPN	6621015351 TR. NPN	HIT RZ1015-1 10V 0.5W	Q109,110,445,503,552	1	pcs	
555700151	AC POWER CORD	W/PLUG BLK (VDR)PL-21 42/.15x2Cxl.8W	J500/AB01,AC101	2	pcs	6621015352 TR. NPN	6621015352 TR. NPN	HIT RZ1015-1 10V 0.5W	Q109,110,445,503,552	1	pcs	
555700152	AC POWER CORD	W/PLUG BLK (VDR)PL-21 42/.15x2Cxl.8W	J500/AB01,AC101	2	pcs	6621015353 TR. NPN	6621015353 TR. NPN	HIT RZ1015-1 10V 0.5W	Q109,110,445,503,552	1	pcs	
555700153	AC POWER CORD	W/PLUG BLK (VDR)PL-21 42/.15x2Cxl.8W	J500/AB01,AC101	2	pcs	6621015354 TR. NPN	6621015354 TR. NPN	HIT RZ1015-1 10V 0.5W	Q109,110,445,503,552	1	pcs	
555700154	AC POWER CORD	W/PLUG BLK (VDR)PL-21 42/.15x2Cxl.8W	J500/AB01,AC101	2	pcs	6621015355 TR. NPN	6621015355 TR. NPN	HIT RZ1015-1 10V 0.5W	Q109,110,445,503,552	1	pcs	
555700155	AC POWER CORD	W/PLUG BLK (VDR)PL-21 42/.15x2Cxl.8W	J500/AB01,AC101	2	pcs	6621015356 TR. NPN	6621015356 TR. NPN	HIT RZ1015-1 10V 0.5W	Q109,110,445,503,552	1	pcs	
555700156	AC POWER CORD	W/PLUG BLK (VDR)PL-21 42/.15x2Cxl.8W	J500/AB01,AC101	2	pcs	6621015357 TR. NPN	6621015357 TR. NPN	HIT RZ1015-1 10V 0.5W	Q109,110,445,503,552	1	pcs	
555700157	AC POWER CORD	W/PLUG BLK (VDR)PL-21 42/.15x2Cxl.8W	J500/AB01,AC101	2	pcs	6621015358 TR. NPN	6621015358 TR. NPN	HIT RZ1015-1 10V 0.5W	Q109,110,445,503,552	1	pcs	
555700158	AC POWER CORD	W/PLUG BLK (VDR)PL-21 42/.15x2Cxl.8W	J500/AB01,AC101	2	pcs	6621015359 TR. NPN	6621015359 TR. NPN	HIT RZ1015-1 10V 0.5W	Q109,110,445,503,552	1	pcs	
555700159	AC POWER CORD	W/PLUG BLK (VDR)PL-21 42/.15x2Cxl.8W	J500/AB01,AC101	2	pcs	6621015360 TR. NPN	6621015360 TR. NPN	HIT RZ1015-1 10V 0.5W	Q109,110,445,503,552	1	pcs	
555700160	AC POWER CORD	W/PLUG BLK (VDR)PL-21 42/.15x2Cxl.8W	J500/AB01,AC101	2	pcs	6621015361 TR. NPN	6621015361 TR. NPN	HIT RZ1015-1 10V 0.5W	Q109,110,445,503,552	1	pcs	
555700161	AC POWER CORD	W/PLUG BLK (VDR)PL-21 42/.15x2Cxl.8W	J500/AB01,AC101	2	pcs	6621015362 TR. NPN	6621015362 TR. NPN	HIT RZ1015-1 10V 0.5W	Q109,110,445,503,552	1	pcs	
555700162	AC POWER CORD	W/PLUG BLK (VDR)PL-21 42/.15x2Cxl.8W	J500/AB01,AC101	2	pcs	6621015363 TR. NPN	6621015363 TR. NPN	HIT RZ1015-1 10V 0.5W	Q109,110,445,503,552	1	pcs	
555700163	AC POWER CORD	W/PLUG BLK (VDR)PL-21 42/.15x2Cxl.8W	J500/AB01,AC101	2	pcs	6621015364 TR. NPN	6621015364 TR. NPN	HIT RZ1015-1 10V 0.5W	Q109,110,445,503,552	1	pcs	
555700164	AC POWER CORD	W/PLUG BLK (VDR)PL-21 42/.15x2Cxl.8W	J500/AB01,AC101	2	pcs	6621015365 TR. NPN	6621015365 TR. NPN	HIT RZ1015-1 10V 0.5W	Q109,110,445,503,552	1	pcs	
555700165	AC POWER CORD	W/PLUG BLK (VDR)PL-21 42/.15x2Cxl.8W	J500/AB01,AC101	2	pcs	6621015366 TR. NPN	6621015366 TR. NPN	HIT RZ1015-1 10V 0.5W	Q109,110,445,503,552	1	pcs	
555700166	AC POWER CORD	W/PLUG BLK (VDR)PL-21 42/.15x2Cxl.8W	J500/AB01,AC101	2	pcs	6621015367 TR. NPN	6621015367 TR. NPN	HIT RZ1015-1 10V 0.5W	Q109,110,445,503,552	1	pcs	
555700167	AC POWER CORD	W/PLUG BLK (VDR)PL-21 42/.15x2Cxl.8W	J500/AB01,AC101	2	pcs	6621015368 TR. NPN	6621015368 TR. NPN	HIT RZ1015-1 10V 0.5W	Q109,110,445,503,552	1	pcs	
555700168	AC POWER CORD	W/PLUG BLK (VDR)PL-21 42/.15x2Cxl.8W	J500/AB01,AC101	2	pcs	6621015369 TR. NPN	6621015369 TR. NPN	HIT RZ1015-1 10V 0.5W	Q109,110,445,503,552	1	pcs	
555700169	AC POWER CORD	W/PLUG BLK (VDR)PL-21 42/.15x2Cxl.8W	J500/AB01,AC101	2	pcs	6621015370 TR. NPN	6621015370 TR. NPN	HIT RZ1015-1 10V 0.5W	Q109,110,445,503,552	1	pcs	
555700170	AC POWER CORD	W/PLUG BLK (VDR)PL-21 42/.15x2Cxl.8W	J500/AB01,AC101	2	pcs	6621015371 TR. NPN	6621015371 TR. NPN	HIT RZ1015-1 10V 0.5W	Q109,110,445,503,552	1	pcs	
555700171	AC POWER CORD	W/PLUG BLK (VDR)PL-21 42/.15x2Cxl.8W										

NAD-7000
EXPLODED VIEW

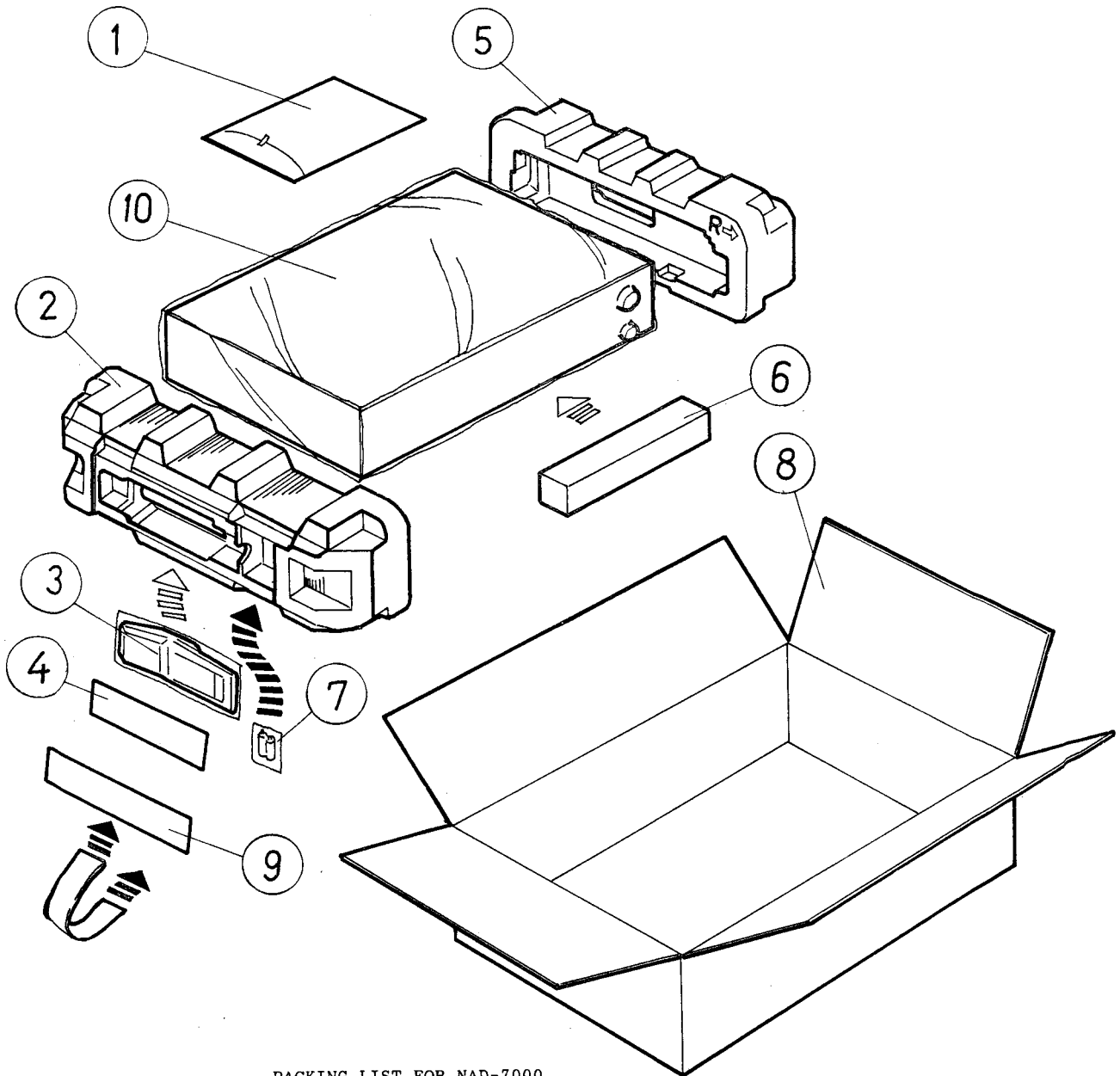
36



NAD-7000 EXPLODED PARTS LISTS

NO.	PARTS NAME	PARTS NO.
1	HEMELON (L)	5542006110
2	KNOB,VOLUME	5541537900
3	KNOB,BALANCE	5541538000
4	KNOB,BAND	5541537300
5	CAP,TOGGLE	5541537800
6	HEMELON (S)	5542006100
7	KNOB,CONTROL	5541537510
8	BUTTON,PUSH	5541537700
9	BEZEL,SCAN	5542225800
10	KNOB,SCAN	5541537600
11	BEZEL,FUNCTION	5542225300
12	BEZEL COPY	5542225200
13	BEZEL LOUDNESS	5542225000
14	KNOB,PUSH (R)	5541537110
15	KNOB,PUSH (B)	5541537100
16	BEZEL,SPEAKER	5542225100
17	LABEL,FRONT	5535448300
18	KNOB,POWER	5541537200
19	PANEL,FRONT	5541213110
20	BEZEL,POWER	5542225400
21	PLATE,LEFT	5547131600
22	BRACKET,FRONT (B)	5547132000
23	FIBER	5547504600
24	SHIELD COVER	5545403700
25	PLATE,BACK	5547131930(120V) 5547131940(240V) 5547131950(220V)
26	COVER, TOP	5541002300
27	CORD,POWER	5547501200
28	LOCK PLATE,SWITCH	5547528400
29	SUPPORT,PCB	5547530400
30	CONNECTOR,TERMINAL	5547033600
31	TERMINAL	5546121400
32	WASHER,TOOTH	7101200352
33	WASHER,LOCK	7101201202
34	PLATE,RIGHT	5547131700
35	CHASSIS	5547131800
36	FOOT,RUBBER	5547802120
37	HING	5419700191
38	PLATE,AUX	5547035800
39	HEAT SINK (S)	5545306900
40	HEAT SINK (S)	5545306910
41	BRACKET PLATE,RIGHT	5547033800
42	PLATE,TRS.	5547131100
43	HEAT SINK	5545308900
44	HOLDER	5547038500
45	BRACKET,FRONT (A)	5547131500
46	WINDOW,RECEIVE	5542909410
47	SPRING,PLAY (A)	5546323000
48	SPRING,PUSH	5546322900

PACKING DIAGRAM



PACKING LIST FOR NAD-7000

ITEM	PARTS NO.	NAME	QTY
1	5535122513	OWNERS MANUAL	1
2	9520680155	POLYLON L.	1
3	5552000200	REMOTE CONTROL TRANSMITTER	1
4	- - - - -	R/C TRABSNUITTER MANUAL	1
5	9520680255	POLYLON R.	1
6	9520685155	POLYLON BAR	1
7	6910151403	BATTER, DRY	1
8	9510680455	CARTON	1
9	9510685155	PAPER PLATE	1
10	9530680155	EPE BAG	1

Notes:

NAD Electronics Ltd.

Model : 7000

Service Information

Issue 1

Date : 22 November 1989

Contact ;

Electronic Field Engineering Centre

de Baan 6

5095 EB Hooge-Mierde

Netherlands

Tel.(31) 4259-2533 ; Fax (31) 4259-1590

Proprietary information for servicing purposes only. The information given herein may not be used commercially without the prior written agreement of NAD Electronics Ltd, Adastra House, 401-405 Nether Street, London, N2 1QG, England.

SERVICE MANUAL

7000
RECEIVER

NAD ELECTRONICS
BOSTON/LONDON