

NAD **SERVICE**
MANUAL

906

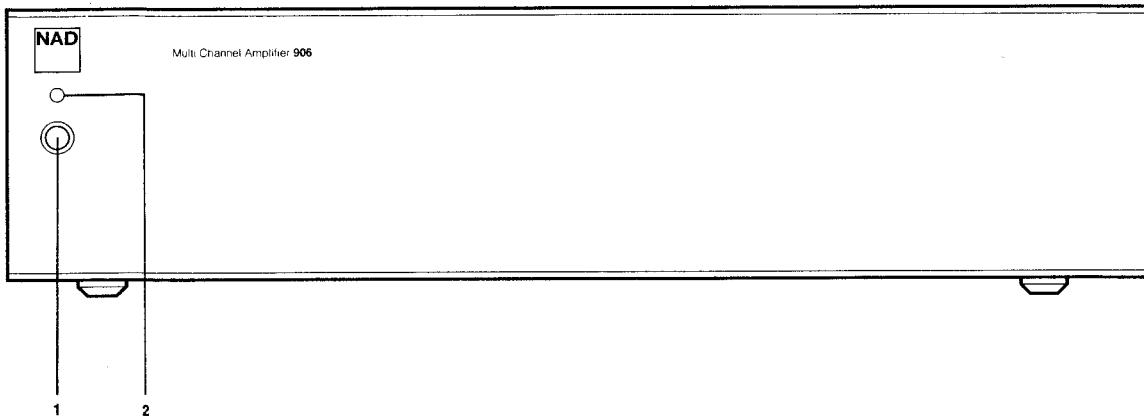
**MULTI CHANNEL
AMPLIFIER**

CONTENTS

DESCRIPTION	PAGE
FRONT / REAR PANEL VIEW	3
SPECIFICATIONS	4
WIRING DIAGRAM	5-6
SCHEMATIC DIAGRAM	7-8
PCB LAYOUT (PARTS SIDE)	9-10
AMPLIFIER ADJUSTMENT	11
EXPLODED VIEW	12
EXPLODED PARTS LIST	13
PARTS LIST	14-15
PACKING DIAGRAM	16
SERVICE CONTACT INFORMATION	17

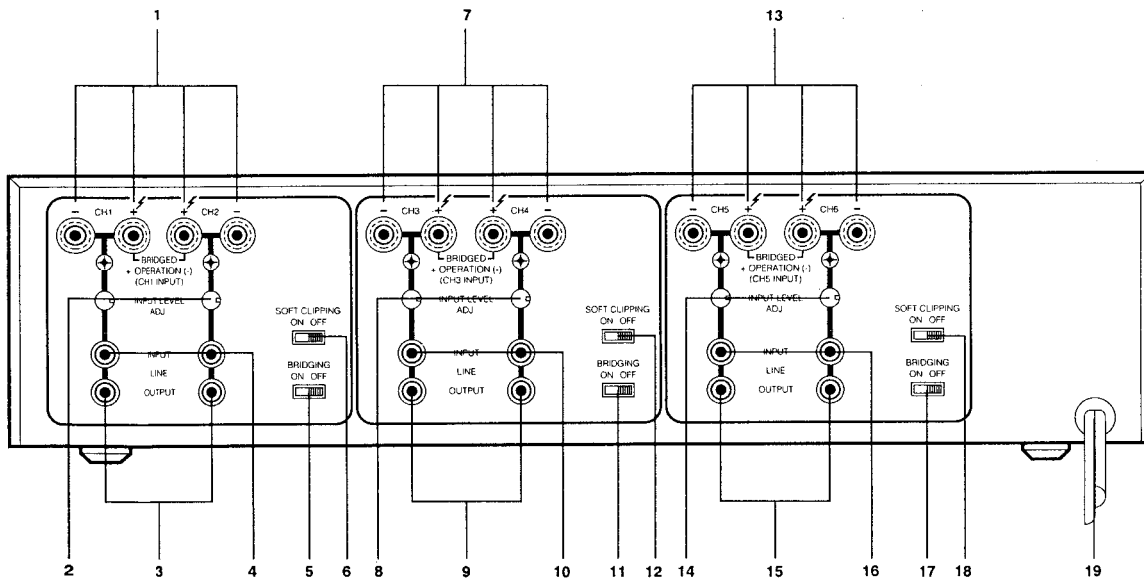
FRONT/REAR PANEL VIEW

FRONT PANEL



1. Power Button
2. Power LED

REAR PANEL CONNECTIONS



- | | | | |
|--------------------------|--------------|--------------------------|--------------|
| 1. Speaker Terminals | (CH 1, CH 2) | 13. Speaker Terminals | (CH 5, CH 6) |
| 2. Input Level Adj. | (CH 1, CH 2) | 14. Input Level Adj. | (CH 5, CH 6) |
| 3. Line Output | (CH 1, CH 2) | 15. Line Output | (CH 5, CH 6) |
| 4. Input | (CH 1, CH 2) | 16. Input | (CH 5, CH 6) |
| 5. Bridging On/Off | (CH 1, CH 2) | 17. Bridging On/Off | (CH 5, CH 6) |
| 6. Soft Clipping On/Off | (CH 1, CH 2) | 18. Soft Clipping On/Off | (CH 5, CH 6) |
| 7. Speaker Terminals | (CH 3, CH 4) | 19. AC Line Cord | |
| 8. Input Levels Adj. | (CH 3, CH 4) | | |
| 9. Line Output | (CH 3, CH 4) | | |
| 10. Input | (CH 3, CH 4) | | |
| 11. Bridging On/Off | (CH 3, CH 4) | | |
| 12. Soft Clipping On/Off | (CH 3, CH 4) | | |

SPECIFICATION

Measured in accordance with EIA Standard RS-490 (IHF A -202)
NAD-906 Multi-Channel Amplifier

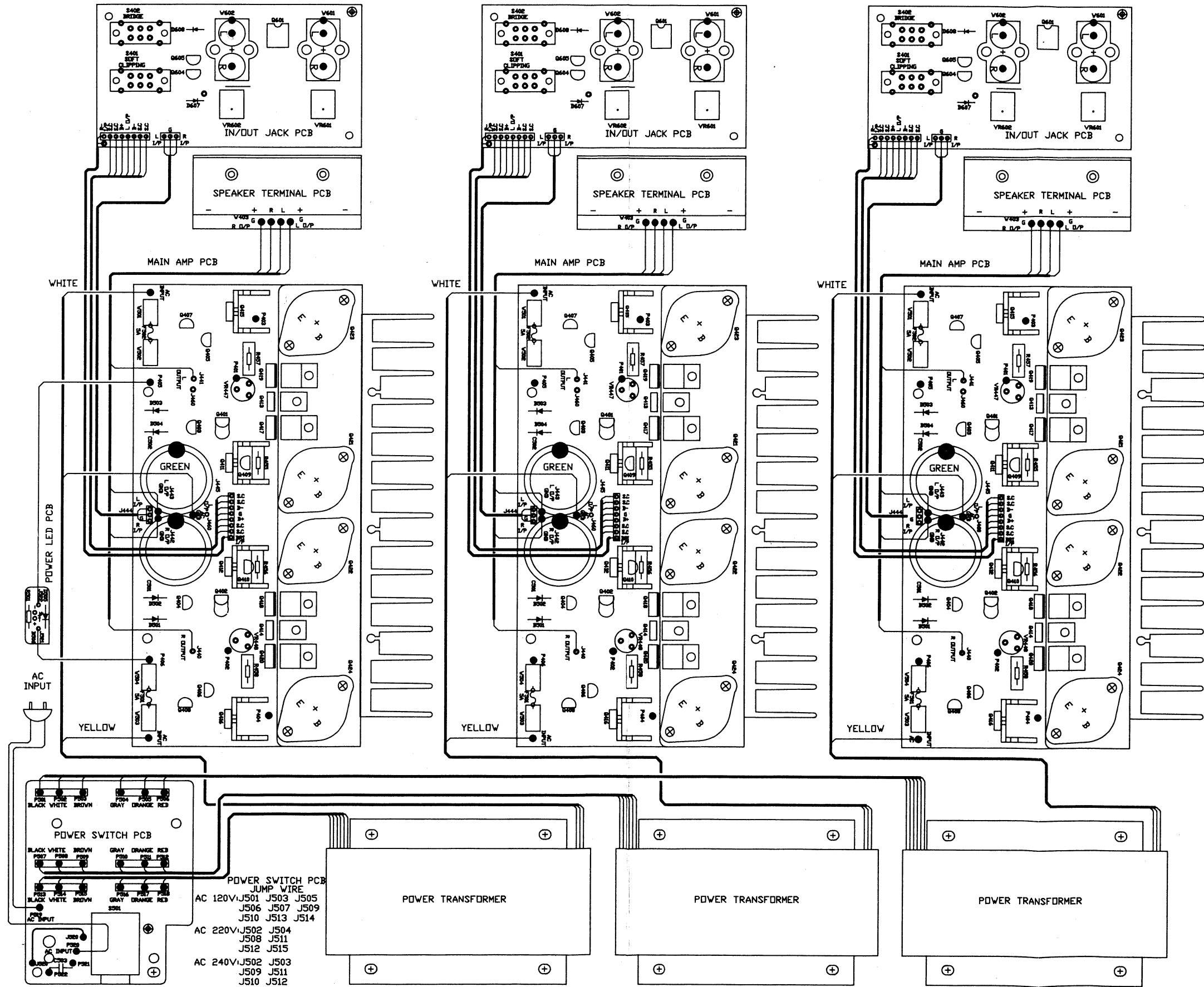
Continues RMS. power output into 8/4 ohms load, Both channels driven	> 30/35 W
Continues RMS. power output into 8 ohms load, (BRIDGED mode)	> 90 W
Rated distortion (THD. 20Hz. - 20kHz.)	< 0.04%
Slew factor	> 50
Slew rate	35V / uSEC.
Damping factor (ref. 8 ohm, 1kHz)	> 100
Input impedance	10k ohm // 220 pf
Input sensitivity (for 1W output)	185 mV
(for rated power)	1000mV
Voltage gain	24.5 dB
Frequency response (-3 dB)	< 10 Hz / 100kHz
(20 Hz - 20k Hz).....	< -0.2 dB
S/N Ratio (A-weighted)	> 100 dB
(un-weighted)	> 90 dB
THD. (ref. 250mW output)	< 0.04%
SMPTE IMP. (ref. 250mW output)	< 0.04%

PHYSICAL SPECIFICATIONS

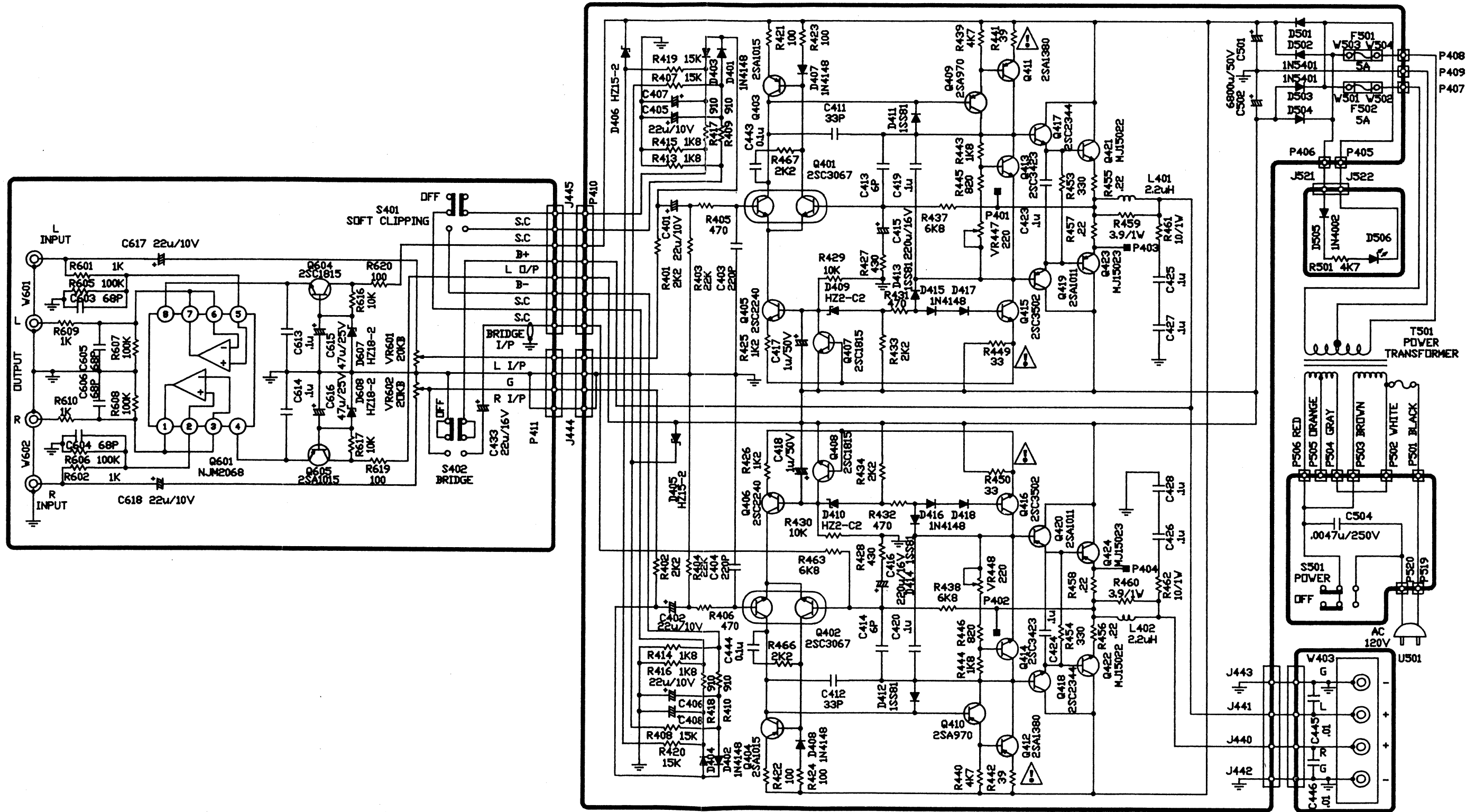
Width * Height * Depth	435 * 108 * 381 mm
Net Weight	13 kg
Shipping Weight	14 kg

Specifications are those in effect at the time of printing. NAD reserves the right to change specifications

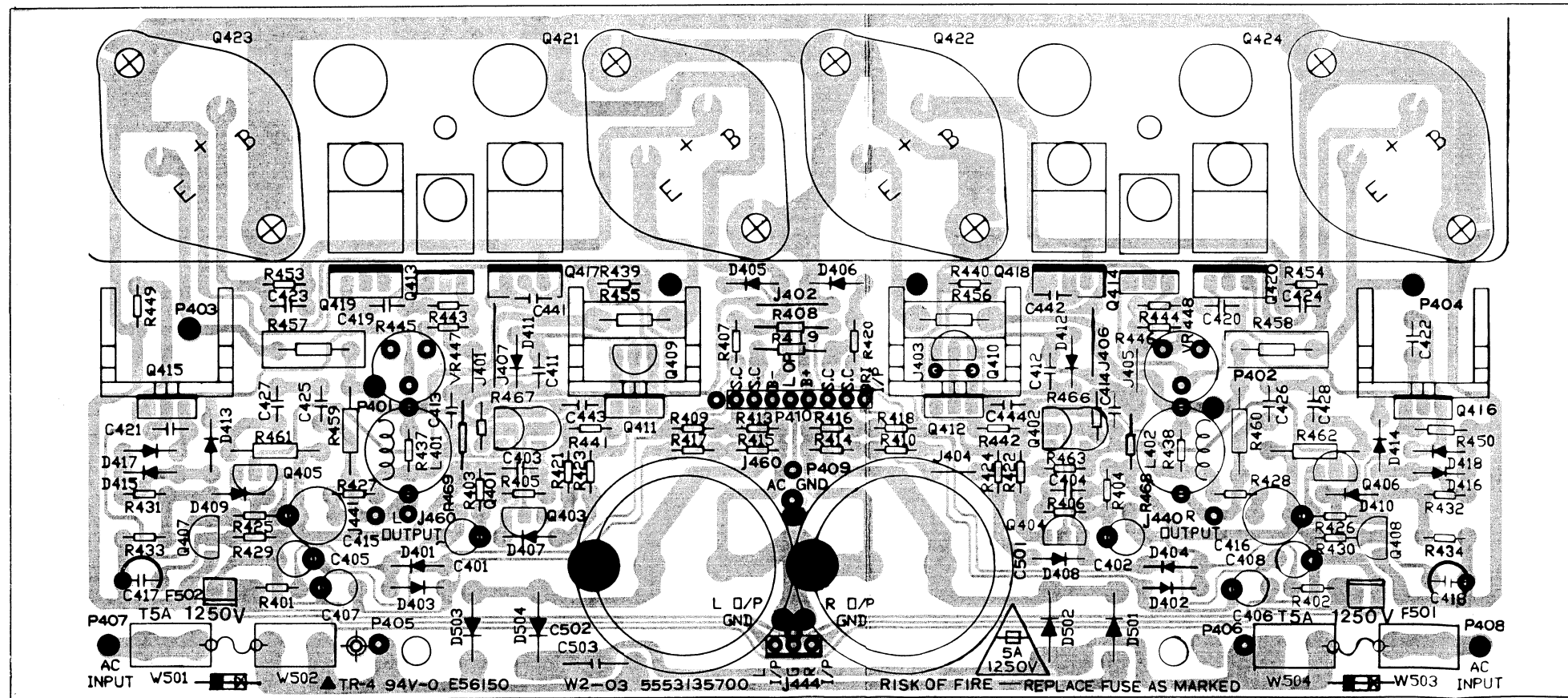
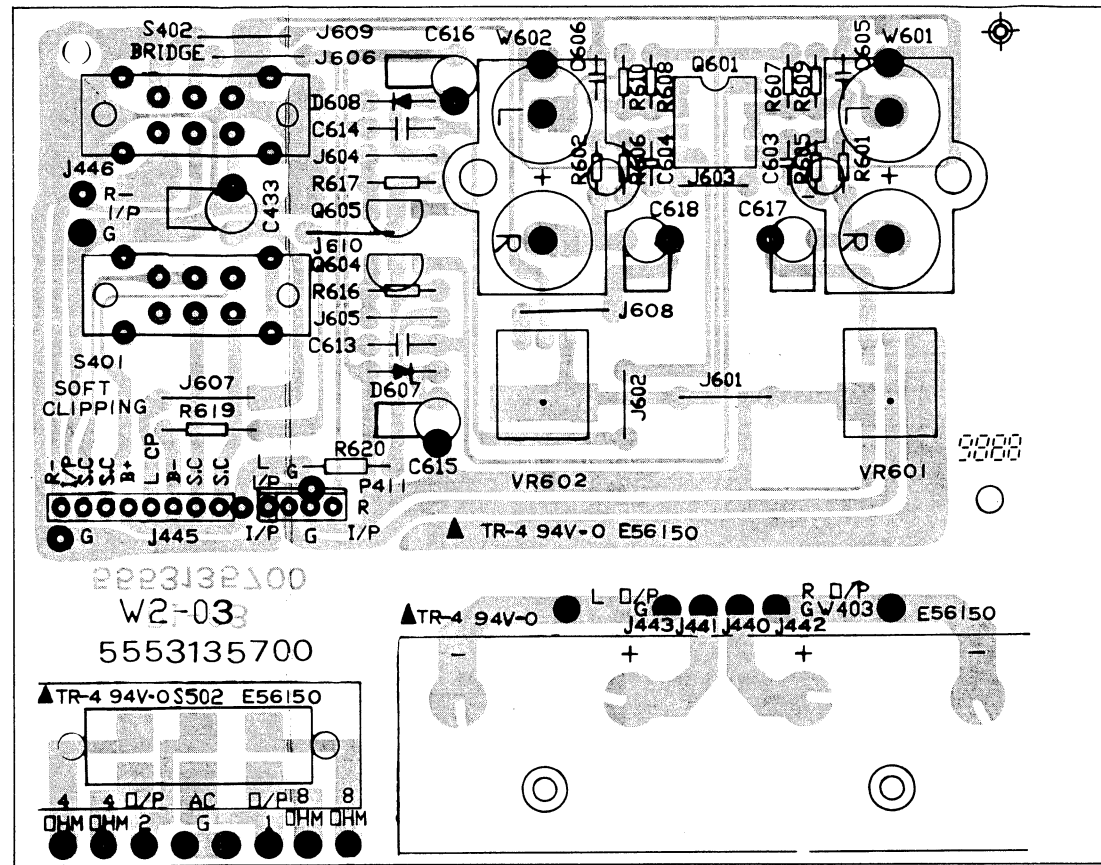
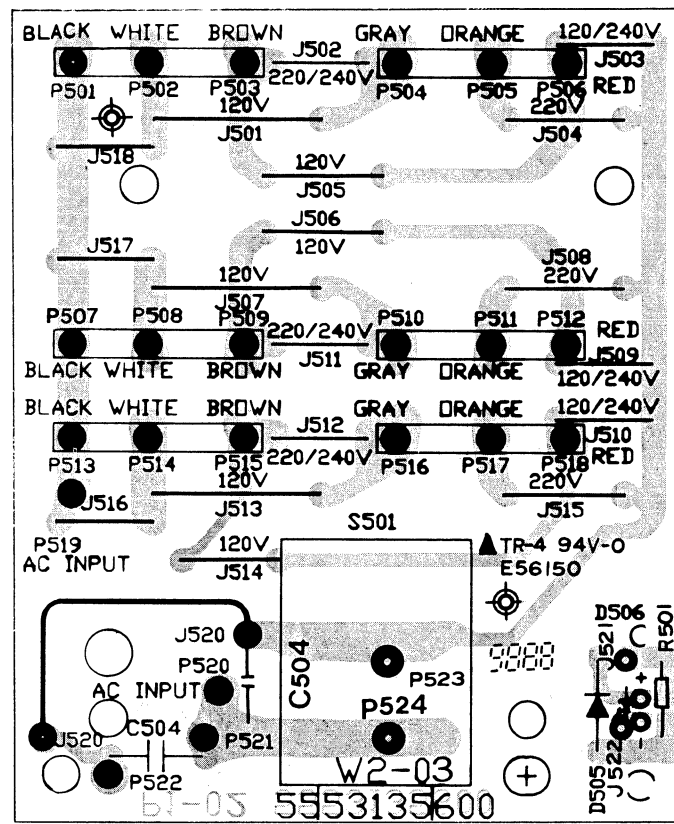
WIRING DIAGRAM



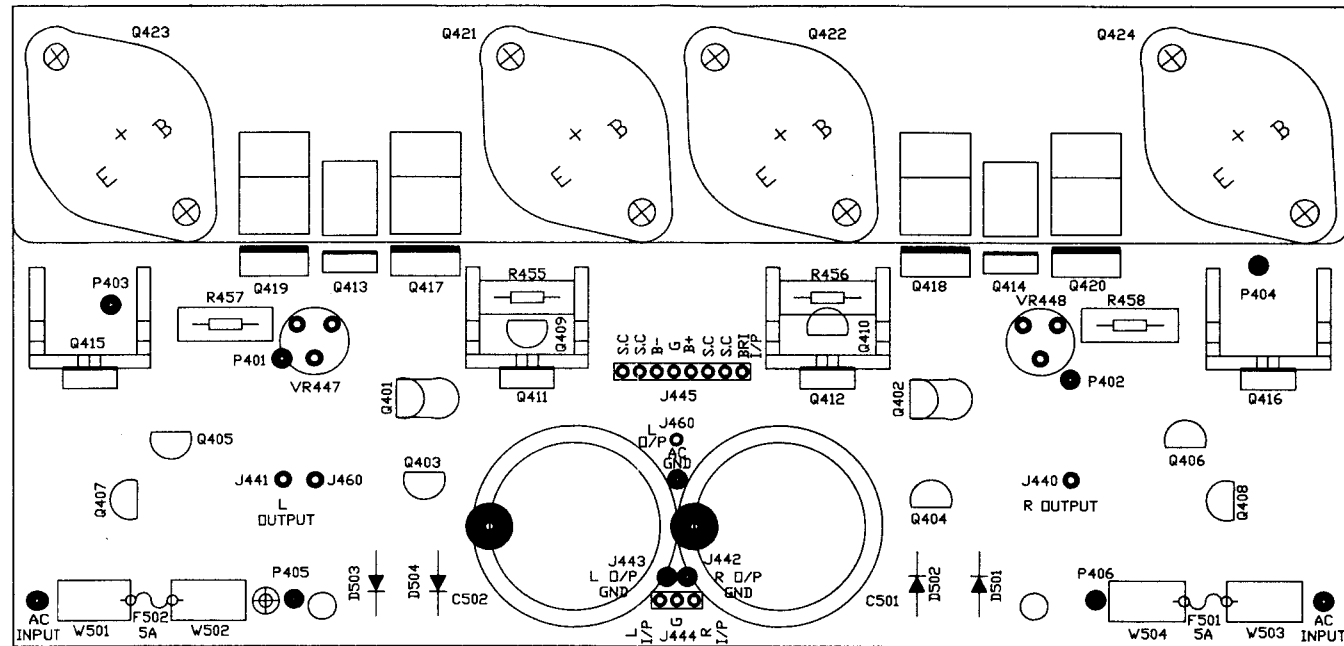
SCHEMATIC DIAGRAM



PCB LAYOUT (PARTS SIDE)



AMPLIFIER ADJUSTMENT



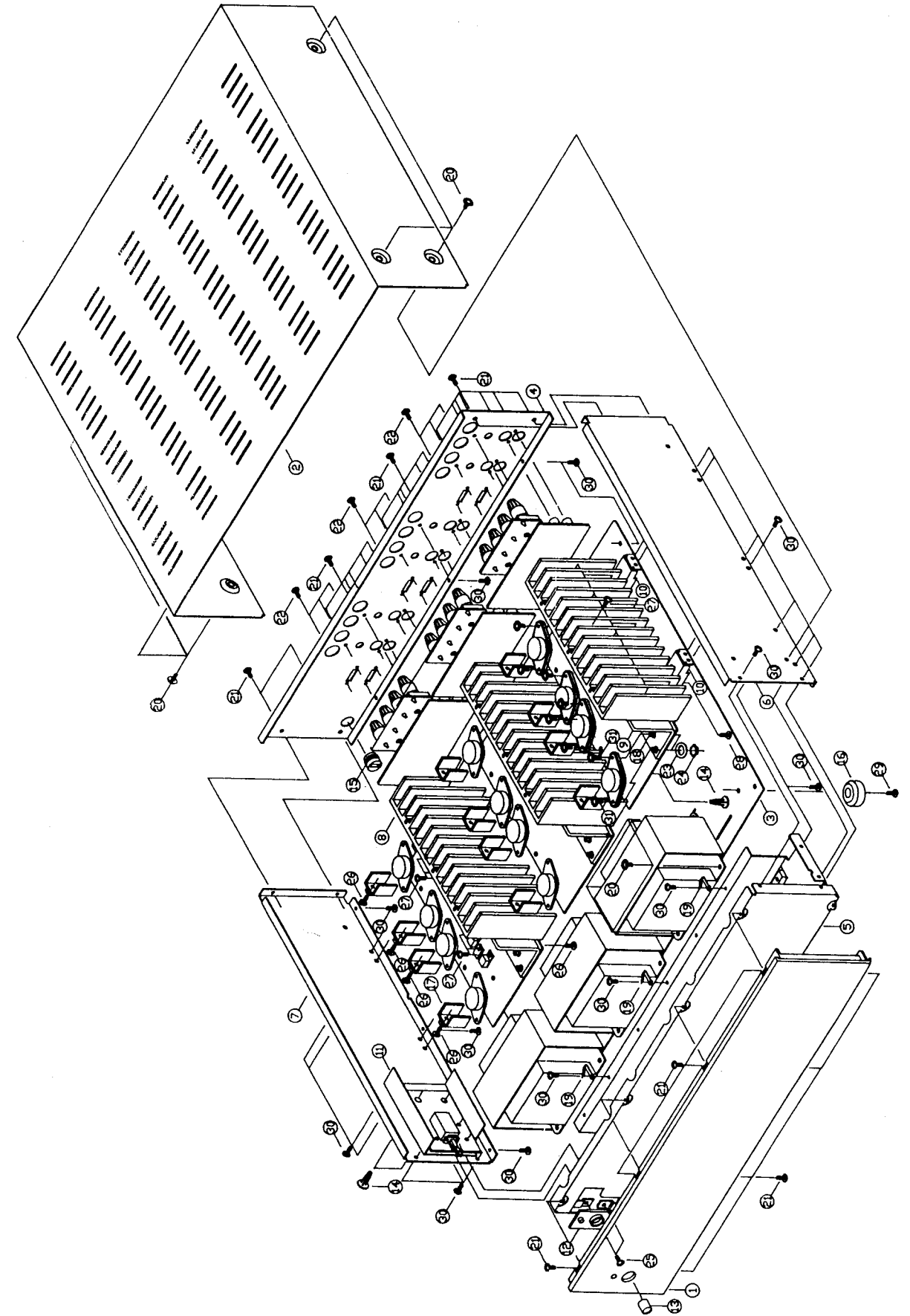
A. IDLE CURRENT ADJUSTMENT

1. Connect DMM across P-401 (+) and P-403 (-), adjust VR-447 for reading of 5mV +/- 0.5mV DC.(without a load across the output terminals.)
2. Repeat, using P-402 (+) and P-404 (-), adjust VR-448.
3. Repeat above procedures for each amplifier module.

B. FINAL ADJUSTMENT

1. Leave power on minimum 5 minutes.
2. Repeat idle current adjustments.

EXPLODED VIEW



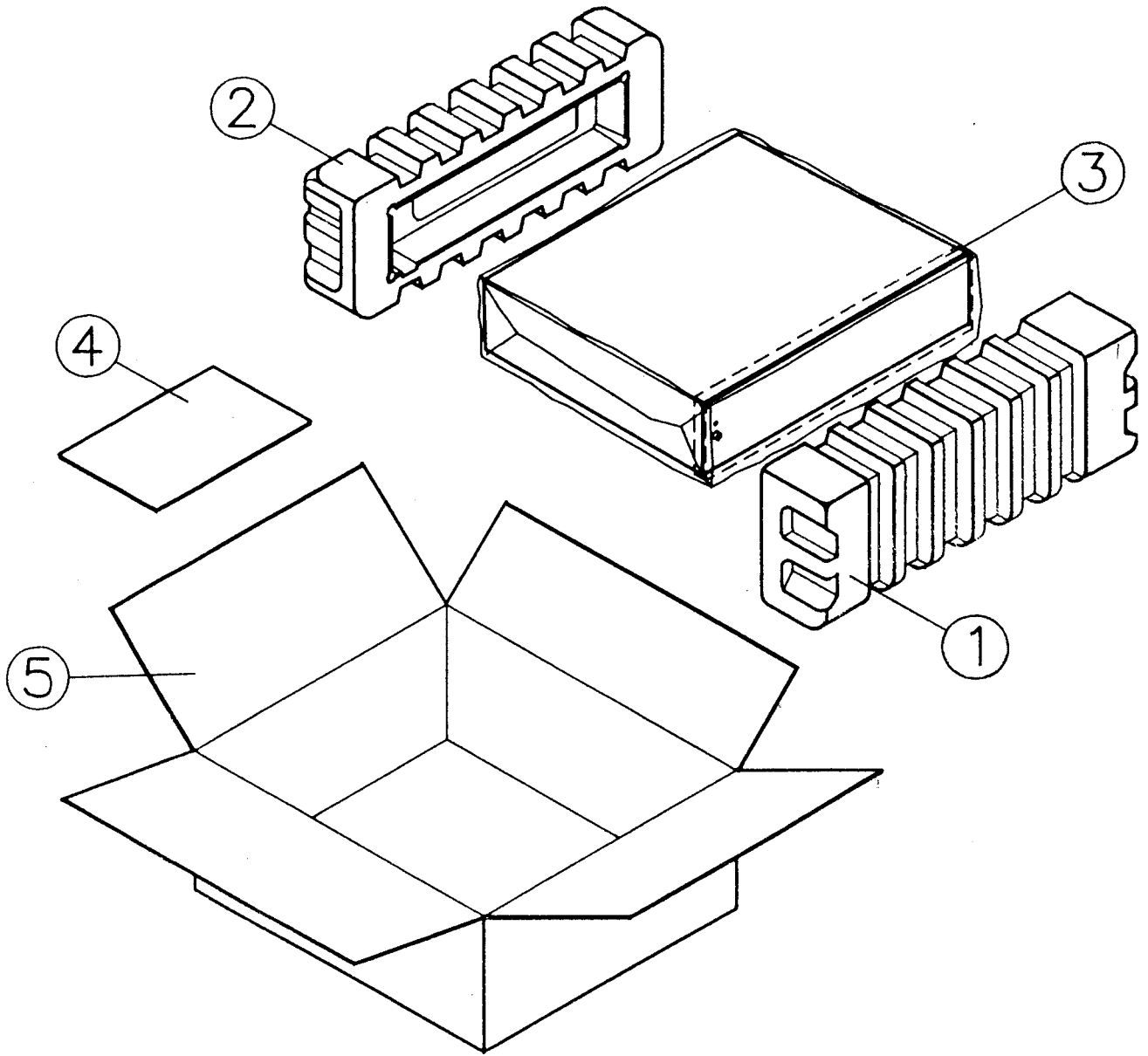
EXPLODED PARTS LIST

NO.	PART NO.	DESCRIPTION	Q'TY
1	5541215000	FRONT PANEL	1
2	5541003200	TOP COVER	1
3	5547137500	CHASSIS	1
4	5547137700	BACK PLATE	1
5	5547137600	TRS. BRACKET	1
6	5547138000	FRAME (R)	1
7	5547137900	FRAME (L)	1
8	5545309600	HEAT SINK	3
9	5545309700	HEAT SINK P	3
10	5547137800	HEAT SINK BRACKET	2
11	5547533100	POWER SW, BRACKET	1
12	5542226100	POWER BEZEL	1
13	5541539000	PUSH BUTTON	1
14	5547530460	HOLDER-PCB	8
15	5547501200	CORD BUSHING	1
16	5547802120	RUBBER FOOT	4
17	5545306910	HEAT SINK S	12
18	5547528700	TRANSISTOR WASHER	24
19	5540100200	WIRE CLAMP	3
20	7190550003	MACHINE SCREW M4.0x6 W/W Zn-BLK	18
21	7033161156	TAPPING SCREW M3x8 Zn-BLK	30
22	7001120216	MACHINE SCREW M2.5x4 Zn-BLK	12
23	7101200302	WASHER TOOTH LOCK M3.0, Zn	24
24	7076170012	NUT M3.0 Zn	24
25	7001170612	MACHINE SCREW M3.0x6 Zn	2
26	7033161152	TAPPING SCREW M3.0x8 TS2 Zn	18
27	7033161452	TAPPING SCREW M3.0x10 TS2 Zn	39
28	7033251652	TAPPING SCREW M3.0x12 TS2 Zn	6
29	7000305022	TAPPING SCREW M3.0x10 W/W TS2 Zn	4
30	7033160652	TAPPING SCREW M3.0x6 TS2 Zn	39
31	7006171612	MACHINE SCREW M3.0x12 W/SPW Zn	24

SYMBOL NO.	Q'TY	PARTS NO.	DESCRIPTION	SPECIFICATION
	1	5090306051	CHASSIS ASS'Y	
3F01	1	5541539000	PUSH KNOB	
5B01	1	5547137700	BACK PLATE	A1
5B01	1	5547137710	BACK PLATE	C
5B01L	2	7033161156	SCREW BRB M3.0x08 S-PC	
5B01R	2	7033161156	SCREW BRB M3.0x08 S-PC	
5C01	1	5547137500	CHASSIS	
5C01M	19	7033160652	SCREW BRB M3.0x06 S-ZN-CC	
5H01	3	5545309600	HEAT SINK	
5H01M	21	7033161452	SCREW BRB M3.0x10 S-ZN-CC	
5L01	1	5547137900	FRAME-L	
5L01M	3	7190550003	SCREW ISO PPW ZN-PC (BLK)	
5L01T	8	7033160652	SCREW BRB M3.0x06 S-ZN-CC	
5R01	1	5547138000	FRAME-R	
5R01M	3	7190550003	SCREW ISO PPW ZN-PC (BLK)	
5R01T	8	7033160652	SCREW BRB M3.0x06 S-ZN-CC	
5S01	2	5547137800	HEAT SINK BRACKET	
5S01M	6	7033251652	SCREW BRB M4.0x12 S-ZN-CC	
5T01	1	5541003200	TOP COVER	
5T02	1	5547137600	TRS. BRACKET	
5T03	3	5540100200	WIRE CLAMP WITH TUBE	
5T03M	3	7033161652	SCREW BRB M3.0x12 S-ZN-CC	
6B01	1	5547501200	BUSHING POWER CORD	
6C01	4	5547802120	FOOT	
6C01M	4	7000305022	SCREW BTBW M3.0x10 S-ZN-CC	
6F01	1	5541215000	FRONT PANEL	
6F01M	8	7033161156	SCREW BRB M3.0x08 S-PC	
6F02	1	5542226100	POWER BEZEL	
6F02M	1	7033160652	SCREW BRB M3.0x06 S-ZN-CC	
6L01	2	5547530460	PCB SUPPORT	
6P01	2	5547530460	PCB SUPPORT	
6P02	2	5547530460	PCB SUPPORT	
6P03	2	5547530460	PCB SUPPORT	
6S01	1	5547533100	POWER SW. SHIELDER	
5S01M	2	7001170612	SCREW ISO PP M3.0x06 S-ZN-CC	
T501	3	5561320900	POWER TRANSFORMER	
T501M	12	7190550003	SCREW ISO PPW ZN-PC (BLK)	
U501	1	5556702121	POWER CORD W/PLUG BLK SP-12	A1
U501	1	5556702131	POWER CORD W/PLUG BLK PL-21	C
	1	5090506007	PCB BLOCK	
	1	5090406067	MAIN PCB ASS'Y	
	3	5090906158	MAIN AMP. PCB BLOCK	
5201	1	5545309700	HEAT SINK-P	
B401	1	5553135700	MAIN AMP. PCB (305x95)	
B401M	1	7033161152	SCREW BRB M3.0x08 S-ZN-CC	
C401, C402	2	5213222091	CAP. EL.	22UFM +/-20% 16V
C403, C404	2	5247122191	CAP. EL.	220PFK +/-10% 50V
C405-C408	4	5213222091	CAP. EL.	22UFM +/-20% 16V
C411, C412	2	5247033091	CAP. CERAMIC	33PFJ +/- 5% 50V
C413, C414	2	5247106091	CAP. CERAMIC	6PFJ +/- 5% 50V
C415, C416	2	5213322191	CAP. EL.	220UFM +/-20% 16V
C417, C418	2	5213601091	CAP. EL.	1UFM +/-20% 50V
C419, C420	2	5222110491	CAP. POLYESTER	0.10MFJ +/-20% 50V
C423-C428	6	5222110491	CAP. POLYESTER	0.10MFJ +/-20% 50V
C501, C502	2	5210308100	CAP. EL. 25x50	6800UFM +/-20% 50V
C503	1	5272222301	CAP. METALLIZED P.E P=10	22000PFK +/-10% 250V
D401-D404	4	6613003030	DIODE SWITCHING ITT	1N4148
D405, D406	2	6615006242	DIODE SWITCHING HIT	HZ15-2-TA
D407, D408	2	6613003030	DIODE SWITCHING ITT	1N4148
D409, D410	2	6615019740	DIODE ZENER HIT	HZ2C2-TA
D411-D414	4	6613007141	DIODE SWITCHING HIT	1SS81 200V 1A T=52mm .1
D415-D418	4	6613003030	DIODE SWITCHING ITT	1N4148
D501-D504	4	6611000800	DIODE RECTIFIER GIT	1N5401 100V 3.0A G
F501, F502	2	5554307501	FUSE UL/CSA 5.2 x 20 5MT5	125V 5A MEDIUM BLOW A1
F501, F502	2	5554307500	FUSE UL/CSA 5.2 x 20 5ST5	250V 5A SEMKO C
L401, L402	2	5562000800	COIL SPRING	
P410	1	5556103308	CONNECTOR	
P411	1	5556102003	3P MALE WAFER	
Q401, Q402	2	6621034501	TR NPN HF	2SC3067G VCE=120V IC=50mA
Q403, Q404	2	6623002050	TR PNP HF	2SA1015-Y TPE2 TAPING
Q405, Q406	2	6621016701	TR NPN HF	2SC2240-GR LOW NOISE
Q407, Q408	2	6621015332	TR NPN HF	2SA1815-Y TPE2
Q409, Q410	2	6623005000	TR PNP HF	2SA970-GR
Q411	1	6623003200	TR PNP HF	2SA1380D/E
Q411H	1	5545306910	HEAT SINK (S)	L=21
Q411M	1	7033161152	SCREW BRB M3.0x08 S-ZN-CC	
Q412	1	6623003200	TR PNP HF	2SA1380D/E
Q412H	1	5545306910	HEAT SINK (S)	L=21
Q412M	1	7033161152	SCREW BRB M3.0x08 S-ZN-CC	
Q413, Q414	2	6621034600	TR NPN HF	2SC3423-Y PC=1.2W HFE=120-24
Q415	1	6621016900	TR NPN HF	2SC3502D/E W/IS-126
Q415H	1	5545306910	HEAT SINK (S)	L=126
Q415M	1	7033161152	SCREW BRB M3.0x08 S-ZN-CC	
Q416	1	6621016900	TR NPN HF	2SC3502D/E W/IS-126
Q416H	1	5545306910	HEAT SINK (S)	L=126
Q416M	1	7033161152	SCREW BRB M3.0x08 S-ZN-CC	C RUD 3008 TS ZN-CC
Q417	1	6621035000	TR NPN HF	2SC2344-E M:IS-313A B:M
Q417M	1	7033161152	SCREW BRB M3.0x08 S-ZN-CC	
Q418	1	6621035000	TR NPN HF	2SC2344-E M:IS-313A B:M
Q418M	1	7033161152	SCREW BRB M3.0x08 S-ZN-CC	

SYMBOL NO.	Q/TY	PARTS NO.	DESCRIPTION	SPECIFICATION
Q419	1	6623011600	TR PNP HF	2SA1011-E M:IS-313A B:M
Q419M	1	7033161152	SCREW BRB M3.0x08 S-ZN-CC	
Q410	1	6623011600	TR PNP HF	2SA1011-E M:IS-313A B:M
Q420M	1	7033161152	SCREW BRB M3.0x08 S-ZN-CC	
Q421	1	6622003100	TR PNP LF	MJ15022
Q421N	2	7076170012	NUT ISO N3.0(2.4H) S-ZN-CC	
Q421P	2	7098160002	SPRING WASHER SW3 S-ZN-CC	D3.1xD5.9x0.7T
Q421S	2	7006171612	SCREW ISO PB M3x12 S-ZN-CC	
Q421T	2	7101200302	WASHER TOOTH LOCK-EXT M3.0	M3.0 S-ZN-CC
Q421W	2	5547528700	TRANSISTOR WASHER	
Q422	1	6622003100	TR PNP LF	MJ15022
Q422N	2	7076170012	NUT ISO N3.0(2.4H) S-ZN-CC	
Q422P	2	7098160002	SPRING WASHER SW3 S-ZN-CC	D3.1xD5.9x0.7T
Q422S	2	7006171612	SCREW ISO PB M3x12 S-ZN-CC	
Q422T	2	7101200302	WASHER TOOTH LOCK-EXT M3.0	M3.0 S-ZN-CC
Q422W	2	5547528700	TRANSISTOR WASHER	
Q423	1	6624002000	TR PNP LF	MJ15023
Q423N	2	7076170012	NUT ISO N3.0(2.4H) S-ZN-CC	
Q423P	2	7098160002	SPRING WASHER SW3 S-ZN-CC	D3.1xD5.9x0.7T
Q423S	2	7006171612	SCREW ISO PB M3x12 S-ZN-CC	
Q423T	2	7101200302	WASHER TOOTH LOCK-EXT M3.0	M3.0 S-ZN-CC
Q423W	2	5547528700	TRANSISTOR WASHER	
Q424	1	6624002000	TR PNP LF	MJ15023
Q424N	2	7076170012	NUT ISO N3.0(2.4H) S-ZN-CC	
Q424P	2	7098160002	SPRING WASHER SW3 S-ZN-CC	D3.1xD5.9x0.7T
Q424S	2	7006171612	SCREW ISO PB M3x12 S-ZN-CC	
Q424T	2	7101200302	WASHER TOOTH LOCK-EXT M3.0	M3.0 S-ZN-CC
Q424W	2	5547528700	TRANSISTOR WASHER	
R401, R402	2	5142122290	RES. CARBON FILM	2K2 1/6W
R403, R404	2	5142122390	RES. CARBON FILM	22K 1/6W
R405, R406	2	5142147190	RES. CARBON FILM	470 1/6W
R407, R408	2	5142115390	RES. CARBON FILM	15K 1/6W
R409, R410	2	5142110290	RES. CARBON FILM	1K 1/6W
R413, R416	4	5142118290	RES. CARBON FILM	1K8 1/6W
R417, R418	2	5142110290	RES. CARBON FILM	1K 1/6W
R419, R420	2	5142115390	RES. CARBON FILM	15K 1/6W
R421, R424	4	5142110190	RES. CARBON FILM	100 1/6W
R425, R426	2	5142112290	RES. CARBON FILM	1K2 1/6W
R427, R428	2	5142147190	RES. CARBON FILM	470 1/6W
R429, R430	2	5142110390	RES. CARBON FILM	10K 1/6W
R431, R432	2	5142147190	RES. CARBON FILM	470 1/6W
R433, R434	2	5142122290	RES. CARBON FILM	2K2 1/6W
R437, R438	2	5142168290	RES. CARBON FILM	6K8 1/6W
R439, R440	2	5142147290	RES. CARBON FILM	4K7 1/6W
R441, R442	2	5133839096	RES. FUSEABLE	39 1/4W
R443, R444	2	5142122290	RES. CARBON FILM	2K2 1/6W
R445, R446	2	5142168190	RES. CARBON FILM	680 1/6W
R449, R450	2	5133833096	RES. FUSEABLE	33 1/4W
R453, R454	2	5142133190	RES. CARBON FILM	330 1/6W
R455, R458	4	5136003200	RES. METAL PLATE CEMENT	0.22 5W
R459, R460	2	5130339903	RES. METAL OXIDE FILM MINI	3.9 1W
R461, R462	2	5130310003	RES. METAL OXIDE FILM MINI	10 1W
R463	1	5142168290	RES. CARBON FILM	6K8 1/6W
R464, R465	2	5142139090	RES. CARBON FILM	39 1/6W
VR447, 448	2	5162160420	RES. VR PNO6FB221AR	220 OHM F5x5
W501-W504	4	5547032210	FUSE CLIP (5.2)	
C445, C446	3	5090906159	SPEAKER TERMINAL PCB BLOCK	
W403	2	5231810300	CAP. CERAMIC	.01uFZ Z 50V
W403	1	5556205420	SPEAKER TERMINAL	A1
W403	1	5556205420	SPEAKER TERMINAL	C
C433	3	5090906161	IN/OUT JACK PCB BLOCK	
C603-C606	1	5213322091	CAP. EL.	22UFM +/-20% 16V
C613, C614	4	5247068091	CAP. CERAMIC CC45	68PFJ +/- 5% 50V
C615, C616	2	5236110491	CAP. POLYESTER	0.1UFK +/-10% 50V
C617, C618	2	5213447091	CAP. EL.	47UFM +/-20% 25V
D607, D608	2	5213222091	CAP. EL.	22UFM +/-20% 16V
Q601	2	6615019043	DIODE ZENER	HZ18-2-TA
Q601	1	6644066700	IC LINEAR	JRC2068
Q604	1	6621015332	TR. NPN HF	2SC1815-Y TPE2
Q605	1	6623002050	TR. PNP HF	2SA1015-Y TPE2 TAPING
R601, R602	2	5142110290	RES. CARBON FILM	1K 1/6W
R605-R608	4	5142110490	RES. CARBON FILM	100K 1/6W
R609, R610	2	5142110290	RES. CARBON FILM	1K 1/6W
R616, R617	2	5142110390	RES. CARBON FILM	10K 1/6W
R619, R620	2	5133810103	RES. FUSIBLE	100 1/4W
S401, S402	2	5554439900	SLIDE SWITCH	
VR601, 602	2	5169010532	VR.	20KB TT RK09K1130008
W601, W602	2	5556207600	2P JACK-RCA	
B501	1	5090406068	POWER SWITCH PCB ASS'Y	
C504	1	5090906162	POWER SWITCH PCB BLOCK	
S501	1	5553135600	POWER SWITCH PCB (69x95)	
S501	1	5230102701	CAP. CERAMIC	4700PFM +/-20% 400V
S501	1	5554440000	POWER SWITCH	
D505	1	5090906163	POWER LED PCB BLOCK	
D506	1	6611007230	DIODE RECTIFIER	1N4002 100V 1A T=26MM
R501	1	6618017300	DIODE LED	2MM GREEN
R501	1	5142147290	RES. CARBON FILM	4K7 1/6W

PACKING DIAGRAM



ITEM	PARTS NO.	PARTS NAME	Q'TY
1	9520910155	EPS PAD FRONT	1
2	6520910255	EPS PAD REAR	1
3	9530680155	EPE BAG	1
4	5535122552	OWNER'S MANUAL	1
5	9510910155	INNER CARTON	1

NOTES:

Proprietary information for servicing purposes only. The information given herein may not be used commercially without the prior written agreement of NAD Electronics LTD, London, England.

SERVICE MANUAL

© 1992 BY NAD PRINTED IN TAIWAN R.O.C.

906
MULTI CHANNEL
AMPLIFIER

NAD ELECTRONICS
LONDON