



# Technical Bulletin C320BEE

**Product:** *Integrated Amplifier*  
**Hardware Technical Bulletin:** *H2004-01*

**Date:** May 25, 2004

**Subject:** NOISE IN UNIT

**Note:** n/a

**Previous service bulletins required:**

- YES
- NO

**DESCRIPTION:** *You may have a complaint of mechanical noise, a faint oscillation around 800Hz is coming from the C320BEE. This only affects a small number of units.*

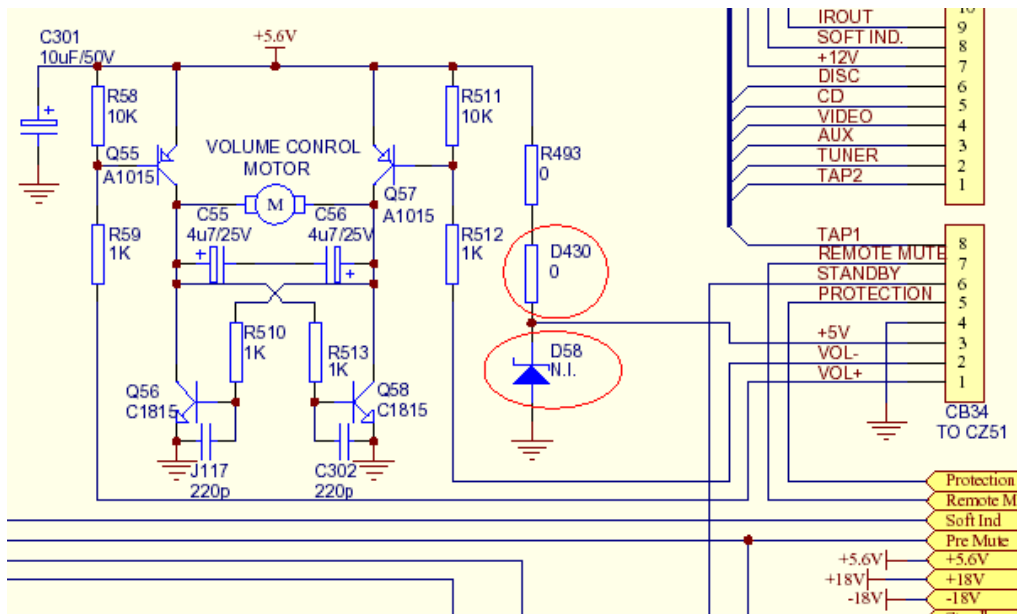
**REASON:** *The volume control circuit is oscillating.*

**SOLUTION:**

*Components in the volume control circuit and power supply are to be removed.*

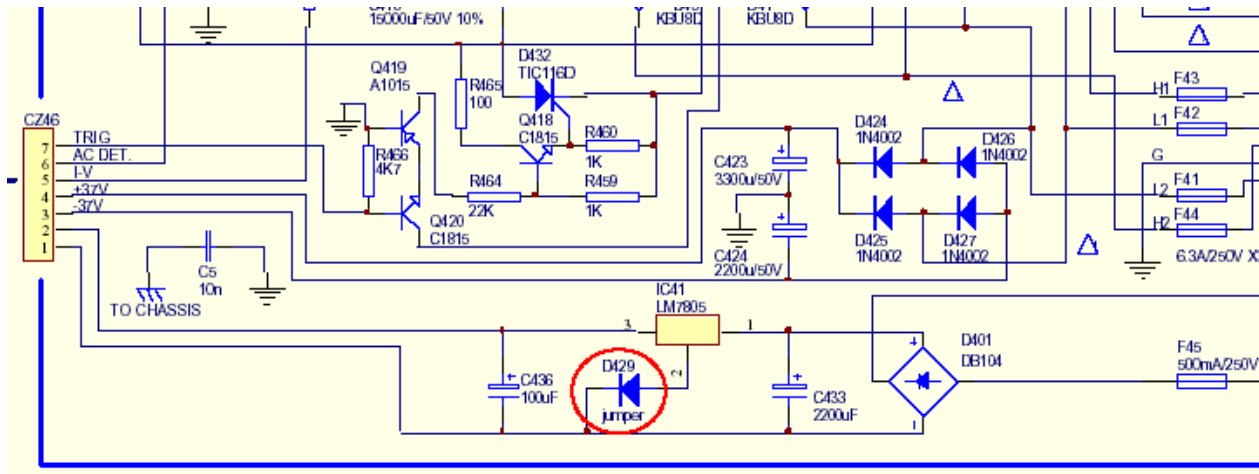
- 1) On the main pc board shown in figure 3, the diode D430 change from 1N4001, to a jumper link. Remove the zener diode D58 5v6 0.5W. See figure 1 for schematic change.*
- 2) On the power supply board shown in figure 4 remove D429 and install a jumper link in it's place. See figure 2 for the schematic change.*

**Figure 1**

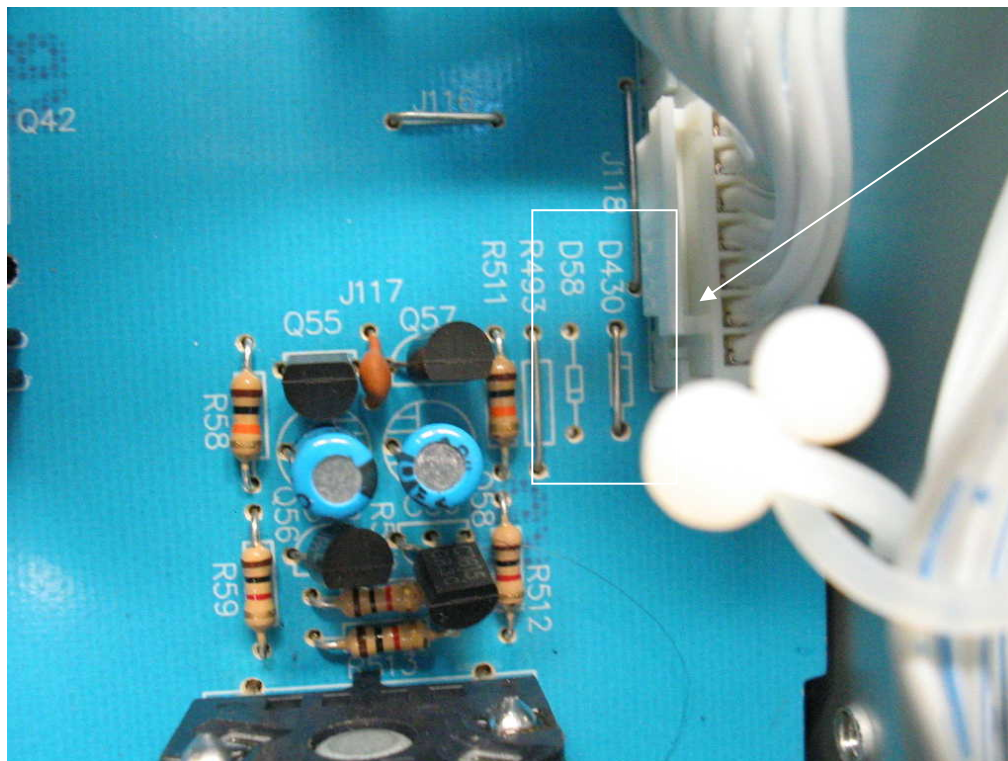


**Product: Integrated Amplifier**  
**Hardware Technical Bulletin: H2004-01**

**Figure2**



**Figure 3**



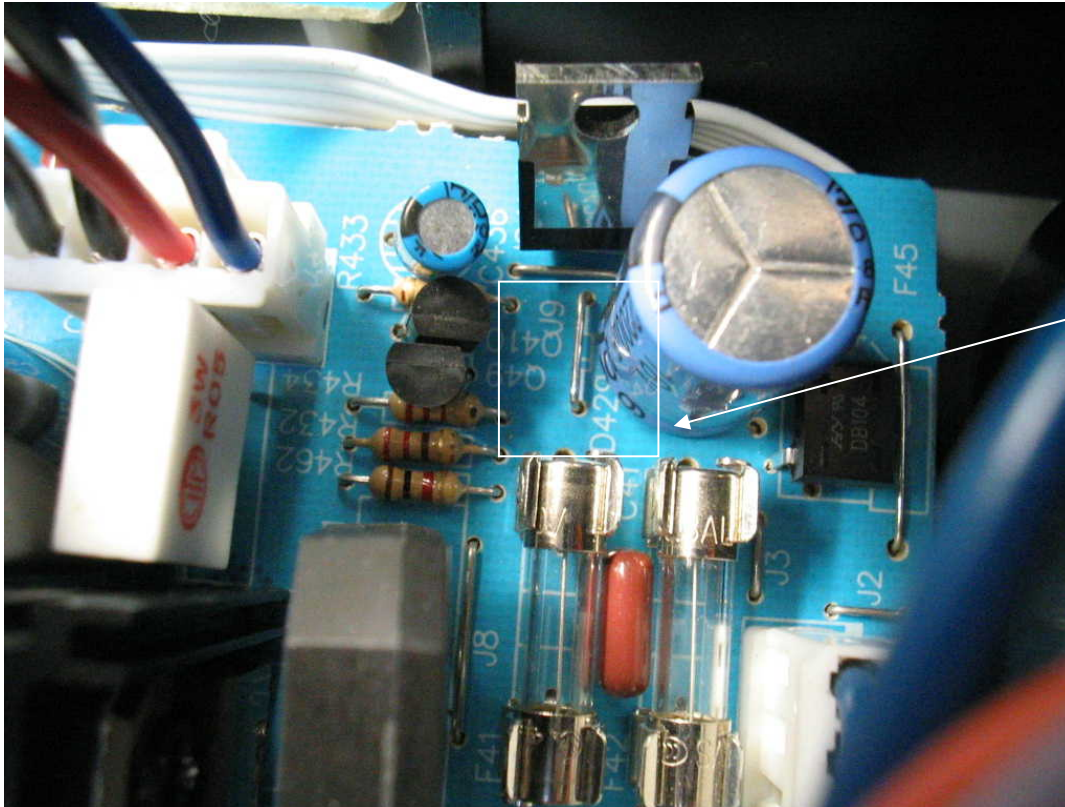
**D430 , REMOVE  
 AND INSTALL  
 JUMPER  
 D58, REMOVE**



# Technical Bulletin C320BEE

**Product: Integrated Amplifier**  
**Hardware Technical Bulletin: H2004-01**

**Figure 4**



**D429 , REMOVE  
AND INSTALL  
JUMPER**

**Contact:**  
**NAD Electronics International**  
**633 Granite Court**  
**Pickering, ON Canada L1K 3K1**  
**Voice: 905-831-0799 FAX 905-837-6357**  
**[www.nadelectronics.com](http://www.nadelectronics.com)**